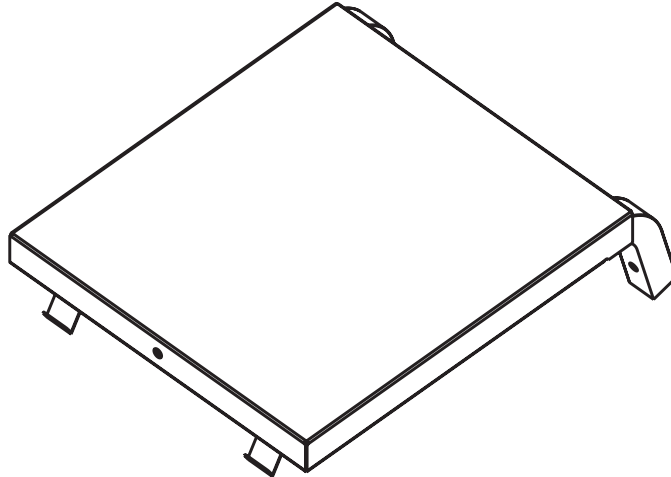




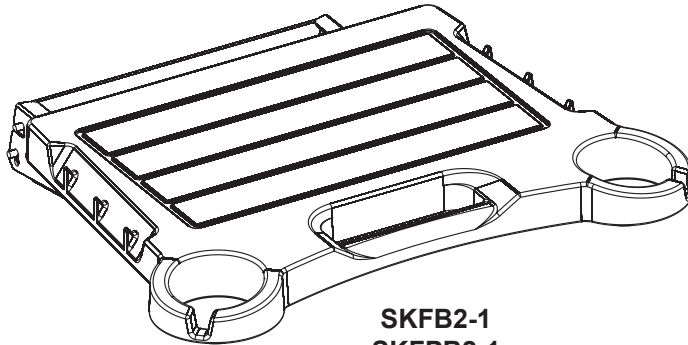
BROILMASTER® PREMIUM GAS GRILLS

STATIONARY SIDE SHELF KIT



SKSS2-1

DROP-DOWN SHELF



SKFB2-1
SKFPB2-1

RETAIN OWNER'S MANUAL FOR FUTURE REFERENCE.

IMPORTANT INFORMATION

Thank you for choosing a Broilmaster Premium Gas Grill. This shelf kit has been designed to fit perfectly and function flawlessly – to provide years of service.

Please read the entire manual and compare the parts list to the parts provided with this kit before you begin the installation. If this shelf kit is missing any parts, contact your Broilmaster dealer. Keep this manual in a safe place to help you identify and order repair parts if they are ever required.

This manual covers the SKSS2 stationary shelf and the SKFPB2 and SKFB2 folding shelves. Refer to the illustration for your shelf, and follow the instructions carefully.

NOTE: These side shelves are designed to support approximately 25 pounds. Exceeding this weight limit may cause damage and void the warranty.

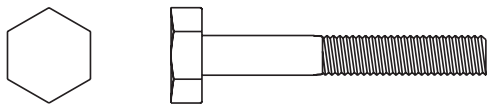
CAUTION: Parts may have sharp edges. Wear leather work gloves and handle parts carefully.

To order repair parts, contact your Broilmaster dealer. See the dealer locator at www.broilmaster.com. When ordering parts, please have the following information available: Grill Model Number, Shelf Model Number, Part Number and Description, and Quantity or Parts needed.

Tools Required

- Phillips Screwdriver
- 7/16-inch Socket and Ratchet or 7/16-inch Nut Driver

SKSS2-1 HARDWARE PACKAGE CONTENTS



B076330 HEX HEAD BOLT 1/4-20 X 1 1/2



B073978 TRUSS HEAD SCREW #10-24 X 1



B076332 FLAT WASHER 9/32 ID X 5/8 OD

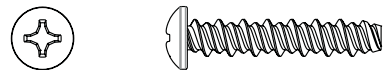


B076331 HEX NUT 1/4-20

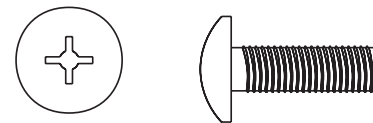


B076333 LOCK WASHER 1/4 ID X 5/8 OD

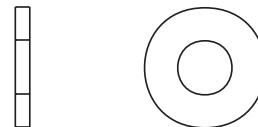
SKFB2-1 & SKFPB2-1 HARDWARE PACKAGE CONTENTS



B100770 PHILLIPS SCREW 10-16 X 1



B072217 PHILLIPS TRUSS HEAD SCREW 1/4-20 X 3/4



B076332 9/32 ID X 5/8 OD FLAT WASHER



B076333 1/4 ID X 5/8 OD LOCK WASHER



B076331 1/4-20 HEX NUT

STATIONARY SIDE SHELF INSTALLATION

Stainless Steel Side Shelf

1. Remove the cooking grids, briquets and briquet rack from the grill.
2. Attach the Handle Shelf Bracket to the grill using the Hex Head Bolts, Flat Washers, Lock Washers, and Nuts. Do not over-tighten.
3. Place the Tool Hook Bar inside the Shelf and place the Shelf on the Bracket, aligning the screw hole. Insert the Truss Head Screw and tighten. See Figure 1.

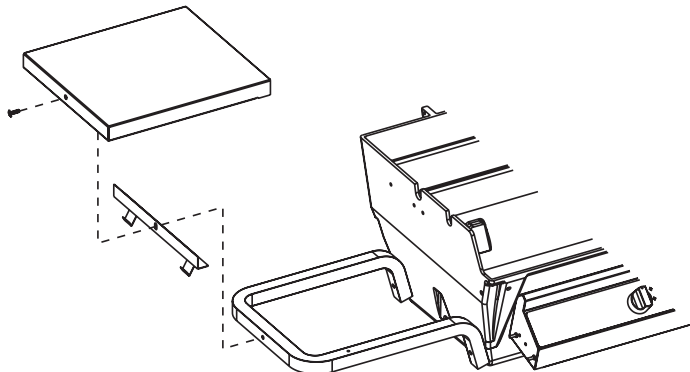
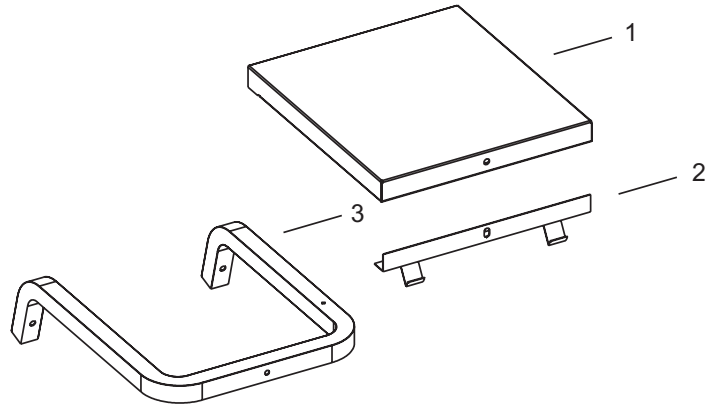


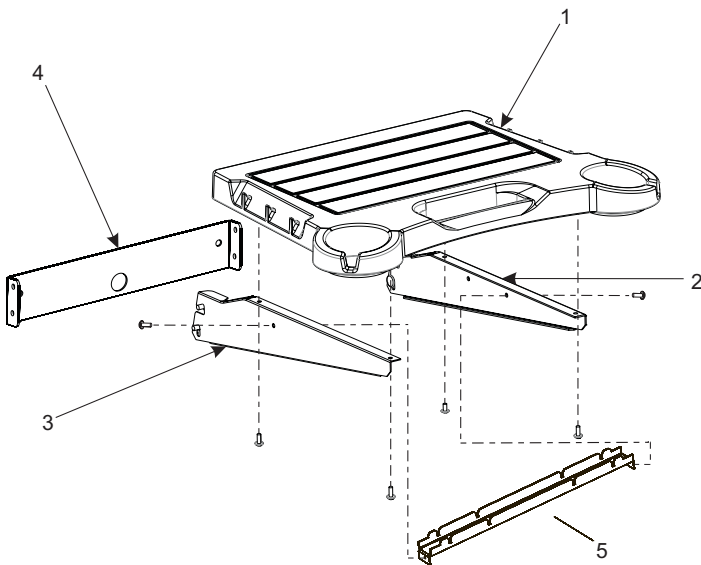
FIGURE 1



Index No.	Part No.	Description
1	B076727	SIDE SHELF
2	B073971	TOOL HOOK
3	B101405	HANDLE SHELF BRACKET
	B100002	HARDWARE PACKAGE

FIGURE 2

DROP-DOWN SIDE SHELF INSTALLATION



Index No.	Part No.	Description
1	B100561	Side Shelf
2	B100568	Support Bracket Front - Stainless Steel
2	B100559	Support Bracket Front - Black
3	B100569	Support Bracket Back - Stainless Steel
3	B100560	Support Bracket - Back - Black
4	B101370	Bracket Attach Assembly
5	B100993	Shelf Support Stiffener

All repair part orders should be placed through your local Broilmaster® dealer. To locate a dealer in your area, contact Broilmaster Customer Service • www.broilmaster.com. To ensure prompt and accurate service, please provide the following information when placing a repair part order: Model Number of your grill, Part Name, Part Number, and Quantity of parts needed.

DROP-DOWN SIDE SHELF INSTALLATION

Solid Surface Drop-Down Side Shelf

1. Remove the cooking grids, briquets and briquet rack from the grill.
2. Attach the Bracket Attach Assembly to the grill using the Truss Head Screws, Flat Washers, Lock Washers, and Nuts. See Figure 1.
Note: Ensure that the Bracket Attach Assembly is installed so that the match light access hole is on the bottom. See Figure 2
3. Place the Side Shelf upside down on a clean surface and use the four coarse-thread screws to loosely attach the Support Brackets.
4. Place the support stiffener on the inside of the shelf using (2) #10-16x1/2" screws to secure in place.
5. Hang the shelf brackets on the lower pins of the Bracket Attach Assembly. Tighten the four screws to secure the bracket arms to the shelf. See Figure 3.
6. To raise the shelf - swing it out and lift the notches over the upper pins. Make sure the shelf is securely in position before placing anything on it.
7. To lower the shelf - lift up on both brackets simultaneously and pull out slightly.

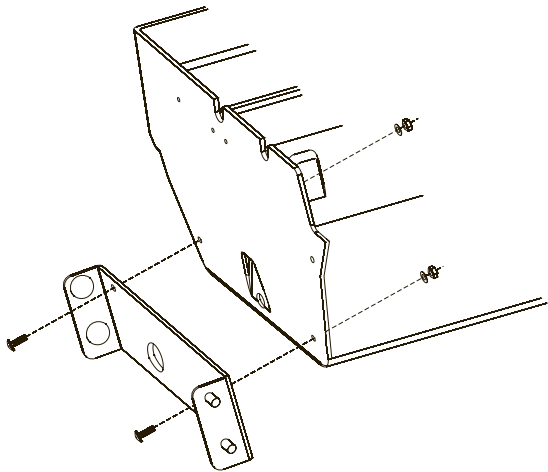
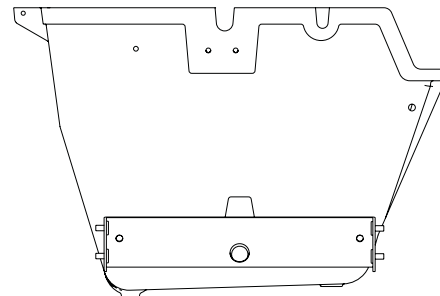


FIGURE 1



Correct Bracket Alignment

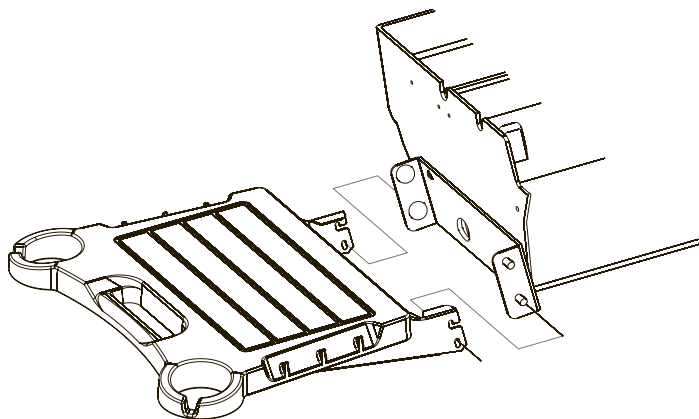
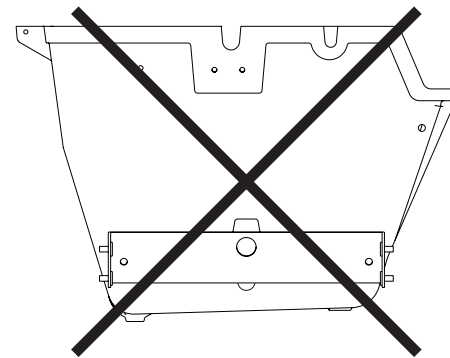


FIGURE 3



Incorrect Bracket Alignment

FIGURE 2

BROILMASTER®
PREMIUM GAS GRILLS

BROILMASTER®

A Division of Empire Comfort Systems, Inc.

918 Freeburg Ave.

Belleville, Illinois 62220

VISIT OUR WEB SITE AT www.broilmaster.com

If you have a general question about our products, please e-mail us at info@empirecomfort.com.

If you have a service or repair question, please contact your dealer.

B101559-3-0611

Free Manuals Download Website

<http://myh66.com>

<http://usermanuals.us>

<http://www.somanuals.com>

<http://www.4manuals.cc>

<http://www.manual-lib.com>

<http://www.404manual.com>

<http://www.luxmanual.com>

<http://aubethermostatmanual.com>

Golf course search by state

<http://golfingnear.com>

Email search by domain

<http://emailbydomain.com>

Auto manuals search

<http://auto.somanuals.com>

TV manuals search

<http://tv.somanuals.com>