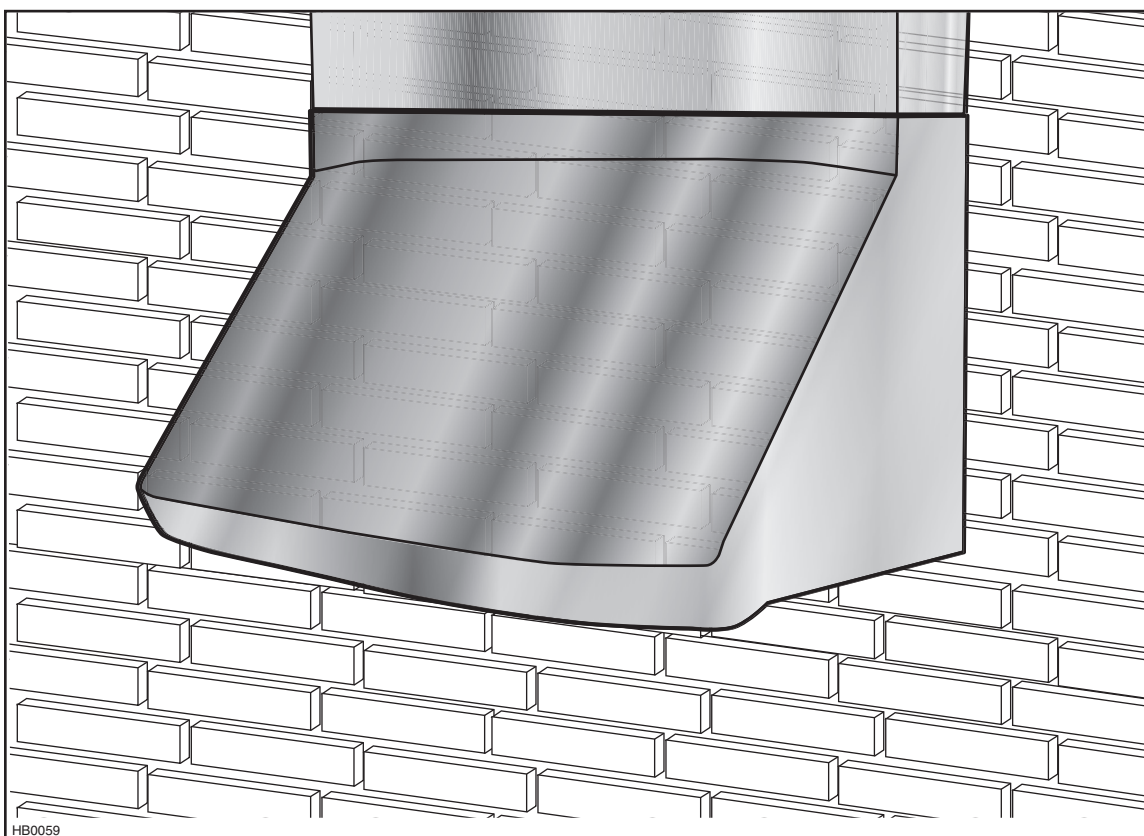


INSTALLATION INSTRUCTIONS

best[®]
by **BROAN**[®]



WPD29M SERIES

SUITABLE FOR USE IN DAMP LOCATIONS WHEN INSTALLED IN A GFCI PROTECTED BRANCH-CIRCUIT. INTENDED FOR OUTDOOR COVERED PATIO OR LANAI AREA.

⚠ INTENDED FOR DOMESTIC COOKING ONLY ⚠

READ AND SAVE THESE INSTRUCTIONS

INSTALLER: LEAVE THIS MANUAL WITH HOMEOWNER.
HOMEOWNER: USE AND CARE AND OPERATION INFORMATION ON PAGES 10 AND 11.

In USA - BEST BY BROAN[®] P.O. Box 140, Hartford, WI 53027

In Canada - BEST BY BROAN[®] 550 Lemire Blvd., Drummondville, QC J2C 7W9

For additional information — visit www.bestbybroan.com

V07697 rev. A

WARNING

TO REDUCE THE RISK OF FIRE, ELECTRIC SHOCK OR INJURY TO PERSONS, OBSERVE THE FOLLOWING:

1. Use this unit only in the manner intended by the manufacturer. If you have questions, contact the manufacturer at the address or telephone number listed in the warranty.
2. Before servicing or cleaning unit, switch power off at service panel and lock service disconnecting means to prevent power from being switched on accidentally. When the service disconnecting means cannot be locked, securely fasten a prominent warning device, such as a tag, to the service panel.
3. Installation work and electrical wiring must be done by qualified personnel in accordance with all applicable codes and standards, including fire-rated construction codes and standards.
4. Sufficient air is needed for proper combustion and exhausting of gases through the flue (chimney) of fuel burning equipment to prevent backdrafting. Follow the heating equipment manufacturer's guidelines and safety standards such as those published by the National Fire Protection Association (NFPA), and the American Society for Heating, Refrigeration and Air Conditioning Engineers (ASHRAE), and the local code authorities.
5. When cutting or drilling into wall or ceiling, do not damage electrical wiring and other hidden utilities.
6. Ducted fans must always be vented to the outdoors.
7. Do not use this unit with any additional solid-state speed control device.
8. To reduce the risk of fire, use only steel ductwork.
9. This unit must be grounded and protected by a GFCI.
10. Suitable for use in damp locations only when installed in a GFCI PROTECTED branch-circuit.
11. This unit is not designed for use with a charcoal grill.

TO REDUCE THE RISK OF A RANGE TOP GREASE FIRE:

- a) Never leave surface units unattended at high settings. Boilovers cause smoking and greasy spillovers that may ignite. Heat oils slowly on low or medium settings.
- b) Always turn hood ON when cooking at high heat or when flambeing food (Crêpes Suzette, Cherries Jubilee, Peppercorn Beef Flambé).
- c) Clean ventilating fans frequently. Grease should not be allowed to accumulate on fan or filter.
- d) Use proper pan size. Always use cookware appropriate for the size of the surface element.

WARNING

TO REDUCE THE RISK OF INJURY TO PERSONS IN THE EVENT OF A RANGE TOP GREASE FIRE, OBSERVE THE FOLLOWING*:

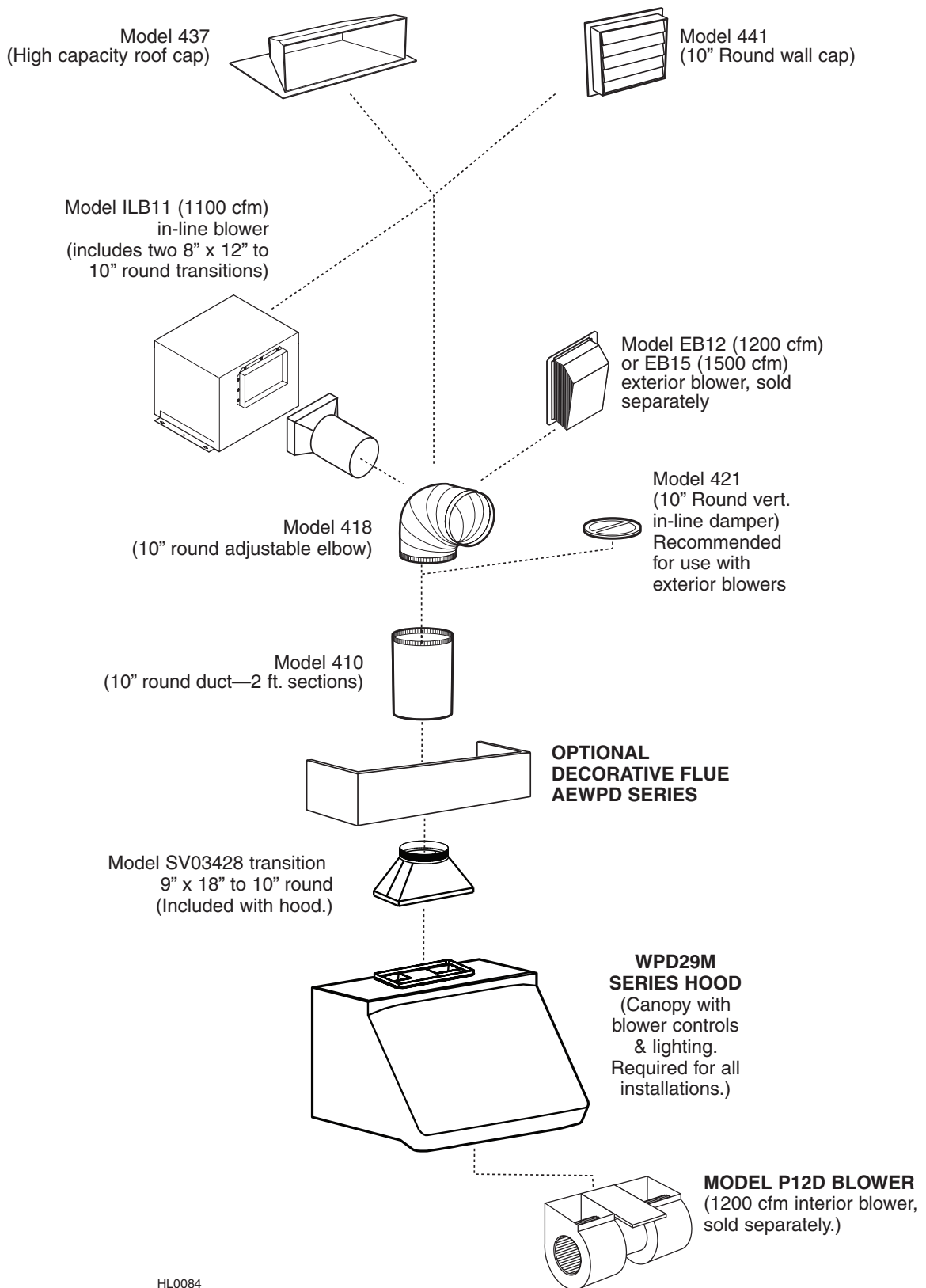
1. SMOTHER FLAMES with a close-fitting lid, cookie sheet or metal tray, then turn off the burner. BE CAREFUL TO PREVENT BURNS. IF THE FLAMES DO NOT GO OUT IMMEDIATELY, EVACUATE AND CALL THE FIRE DEPARTMENT.
2. NEVER PICK UP A FLAMING PAN—You may be burned.
3. DO NOT USE WATER, including wet dishcloths or towels—This could cause a violent steam explosion.
4. Use an extinguisher ONLY if:
 - A. You own a Class ABC extinguisher and you know how to operate it.
 - B. The fire is small and contained in the area where it started.
 - C. The fire department has been called.
 - D. You can fight the fire with your back to an exit.

* Based on "Kitchen Fire Safety Tips" published by NFPA.

CAUTION

1. For general ventilating use only. Do not use to exhaust hazardous or explosive materials and vapors.
2. To avoid motor bearing damage and noisy and/or unbalanced impellers, keep drywall spray, construction dust, etc. off power unit.
3. Your hood motor has a thermal overload which will automatically shut off the motor if it becomes overheated. The motor will restart when it will be cooled down. If the motor continues to shut off and restart, have the hood serviced.
4. For best capture of cooking impurities, the bottom of the hood should be at a minimum of 30" and at a maximum of 36" above the cooking surface.
5. Two installers are recommended because of the large size and weight of this hood.
6. To reduce the risk of fire and to properly exhaust air, be sure to duct air outside—Do not exhaust air into spaces within walls or ceiling or into attics, crawl space or garage.
7. This product is equipped with a thermostat which may start blower automatically. To reduce the risk of injury and to prevent power from being switched on accidentally, switch power off at service panel and lock or tag service panel.
8. To reduce the risk of fire and electric shock, the Best by Broan WPD29M Series range hood must be installed with Best by Broan interior blower model P12D; Best by Broan exterior blower models EB12 or EB15; Best by Broan in-line blowers model ILB11. Other blowers cannot be substituted. (Blowers sold separately.)
9. Please read specification label on product for further information and requirements.

- WPD29M SERIES RANGE HOOD SYSTEM -



HL0084

1. PREPARE THE HOOD LOCATION AND SELECT THE INSTALLATION TYPE

This exhaust hood is designed for use with gas or electric outdoor cooking appliances when operated in an outdoor covered patio or lanai area. As with all electric appliances, this unit should be protected from the effects of weather as much as possible.

⚠ WARNING

This unit is not designed for use with a charcoal grill.

Either an interior or exterior blower or in-line blower may be used with this hood. The Best by Broan WPD29M Series must be installed with blower models P12D, ILB11, EB12 or EB15 only. Other blowers cannot be substituted. (Blowers sold separately.) Plan where and how the ductwork will be installed.

If installing ILB11 in-line blower, discard its rough-in plate. Refer to instructions packed with in-line blower and follow steps 1 up to 6, 8, 9, 10, 11, 13 and up of this manual.

Install 10" round galvanized steel ductwork, elbows and roof or wall cap for the type of blower you are installing. Use metal duct tape to seal duct joints.

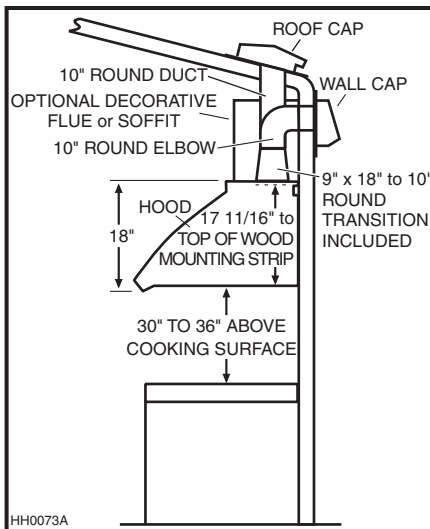
The minimum hood distance above cooktop must not be less than 30". A maximum of 36" above cooktop is highly recommended for best capture of cooking impurities.

Distances over 36" are at the installer and users discretion.

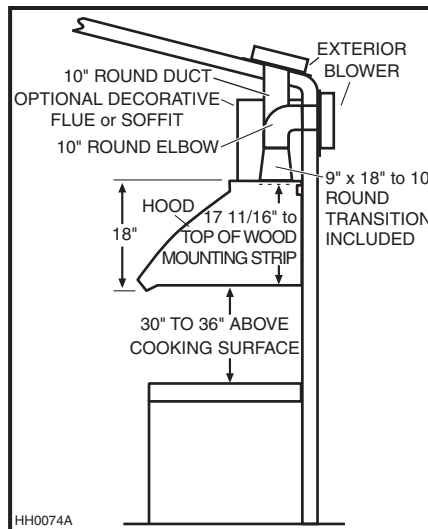
Run power cable to installation location.

⚠ WARNING

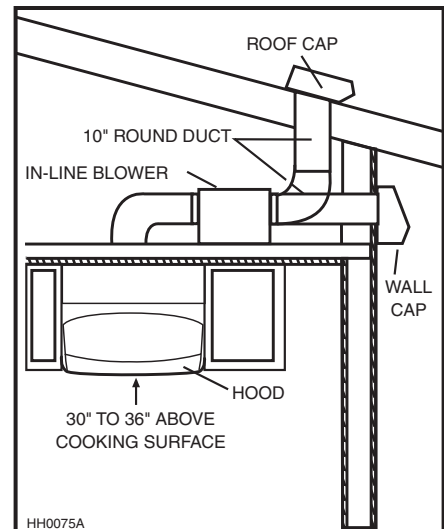
The power cable must be a GFCI protected branch circuit.



MODEL P12D DUAL INTERIOR BLOWER TYPICAL DUCTWORK



MODEL EB12 OR EB15 EXTERIOR BLOWER TYPICAL DUCTWORK



MODEL ILB11 IN-LINE BLOWER TYPICAL DUCTWORK

2. PREPARE THE INSTALLATION

CAUTION

When performing installation, servicing or cleaning the unit, it is recommended to wear safety glasses and gloves.

Remove the installation kit from inside the hood.

Make sure that the following items are included:

- Wood strip (screwed on back of hood)
- Installation manual
- Transition (9" x 18" to 10" round)
- Accessories including:
 - Baffle filters (3)
 - Shielded halogen lights (GU10 type base, 120 V, 50 W) (4 for a 42" width hood, 6 for a 54" width hood)
 - Bag of parts including:
 - (3) waterproof wire connectors, (2) wire clamps, (4) flat head screws #10-2", (8) screws #8 x 5/8", (8) screws #8 x 3/8", (2) wall anchors, (2) washers 3/16" ID x 3/4" OD

Parts sold separately:

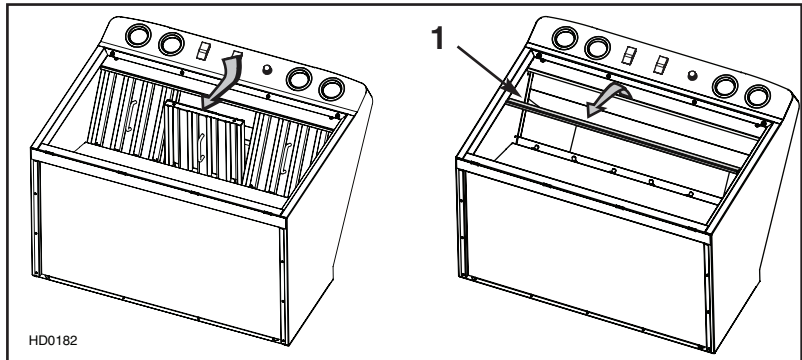
- Interior blower Model P12D.
- In-line blower assembly ILB11, including transitions and rough-in plate. Discard the rough-in plate.
- Exterior blower assembly EB12 or EB15 (all include rough-in plate). Discard the rough-in plate.
- Duct, elbows, dampers, wall and roof caps. Refer to page 3 for a complete list of venting options and model numbers.
- Optional decorative flue AEWPD Series.

3. REMOVE THE FILTERS AND THE GREASE DRIP RAIL

- A.** Remove tape on filters.
Remove filters from hood and set aside.
NOTE: It is recommended to start with the central one.

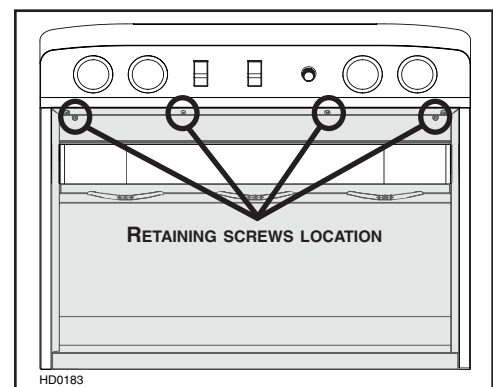
- B.** Remove tape on grease drip rail (1).
Lift out grease drip rail and set aside.

NOTE: When tape is removed in the position as shown at side, drip rail will possibly fall out due to gravity.



4. REMOVE THE PAN

Using a Phillips no. 2 screwdriver, remove the screws retaining the pan (shaded part on illustration beside) to the hood. Remove the pan and set aside.



5. REMOVE THE TRANSITION

Using a Phillips no. 2 screwdriver, remove and discard both screws and washers retaining the transition to the hood. Remove the transition and the wood mounting strip (on back of hood) and set aside.



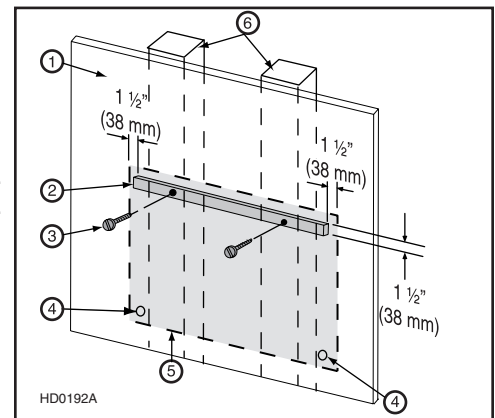
6. INSTALL WOOD MOUNTING STRIP

Measure and mark a level line on wall above cooktop location for the wood mounting strip (see illustration on page 4).

Center the wood mounting strip over location. See illustration shown at side. Use #10, 2" flat head screws to secure the mounting strip to the drywall. Make sure to hit the wall studs.

CAUTION

Due to the weight of this hood, ensure that the wood strip is attached to every available stud, not into the drywall alone.



- 1. Drywall
- 2. Wood mounting strip
- 3. Flat head screw
- 4. Wall anchor location
- 5. Back of hood outline
- 6. Wall studs

7. SELECT BLOWER OPTION (EXTERIOR OR INTERIOR)

INTERIOR BLOWER: Follow all subsequent steps of this manual.

EXTERIOR BLOWER: Discard the exterior blower rough-in plate. Refer to instructions packed with exterior blower and follow steps 8 to 11, 13 and up of the present manual.

8. CONNECT WIRING

⚠ WARNING

Risk of electrical shock. Electrical wiring must be done by qualified personnel in accordance with all applicable codes and standards. Before connecting wires, switch power off at service panel and lock service disconnecting means to prevent power from being switched on accidentally.

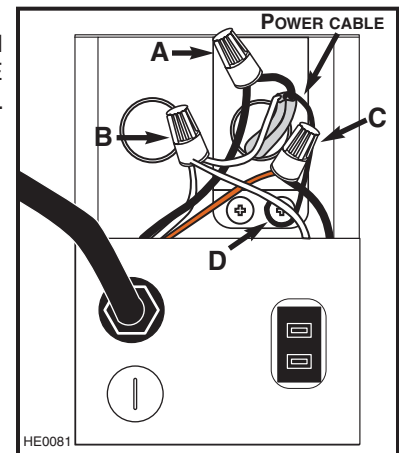
ALL INSTALLATIONS:

Remove the hood wiring box cover. Install wire clamp(s) on back side of the hood. Position the hood below its future location.
NOTE: The hole for the power cable is already done. Punch the other knock-out only if installing exterior blower or in-line blower.

8.1 INTERIOR BLOWER:

Pass the power cable through the wire clamp in the wiring box and tighten the clamp to secure the cable. Discard the wire connector joining BLACK and WHITE wires from wiring box receptacle. Connect power cable into wiring box using provided waterproof wire connectors.

Connect wires as follow: BLACK wire from power cable to BLACK wire from hood control panel (A), all WHITE wires together (B), BLACK wire from wiring box receptacle to ORANGE wire from hood control panel (C), and GREEN or BARE wire under ground screw (D). **DO NOT FORGET TO CONNECT THE GROUND.** Reinstall the wiring box cover.



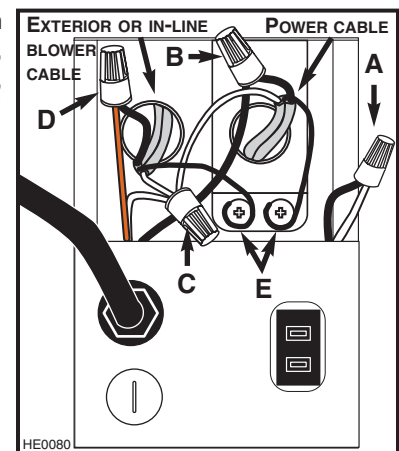
WATERPROOF WIRE CONNECTORS INSTRUCTIONS:

1. Strip wires 3/8".
2. Align frayed strands or conductors.
3. Do not pre-twist. Place stripped wires together with ends even, but lead smaller stranded wires slightly ahead of larger solid or stranded wire.
4. Twist connector onto wires pushing firmly until hand-tight. DO NOT over torque.
5. When inserting wires into connectors, some sealant may leak out. Wipe off excess sealant in and around conductors. DO NOT REUSE.

8.2 EXTERIOR OR IN-LINE BLOWER:

Pass the power cable and the exterior or in-line blower cable through the wire clamps in the wiring box and tighten the clamps to secure the cables. DO NOT REMOVE the wire connector joining BLACK and WHITE wires from wiring box receptacle (A).

Using provided waterproof wire connectors, connect wires as follow: BLACK wire from power cable to BLACK wire from hood control panel (B), all WHITE wires together (C), BLACK wire from exterior or in-line blower to ORANGE wire from hood control panel (D), and GREEN or BARE wires under ground screws (E). **DO NOT FORGET TO CONNECT THE GROUND.** Reinstall the wiring box cover.

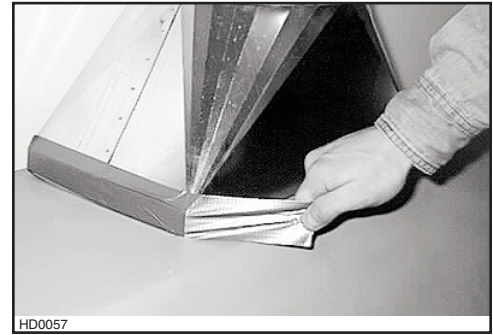


WATERPROOF WIRE CONNECTORS INSTRUCTIONS:

1. Strip wires 3/8".
2. Align frayed strands or conductors.
3. Do not pre-twist. Place stripped wires together with ends even, but lead smaller stranded wires slightly ahead of larger solid or stranded wire.
4. Twist connector onto wires pushing firmly until hand-tight. DO NOT over torque.
5. When inserting wires into connectors, some sealant may leak out. Wipe off excess sealant in and around conductors. DO NOT REUSE.

9. INSTALL THE TRANSITION

Attach the provided transition to top of hood. Use metal duct tape to make all joints secure and air tight.



10. INSTALL THE DECORATIVE FLUE (OPTIONAL)

OPTIONAL DECORATIVE FLUE AEWPD SERIES

Refer to the instructions included with the optional decorative flue.

CAUTION

If this decorative flue is installed in a salt water area (example: coast), rinse all surfaces once a week with clear water (even if the hood is not used), and wipe dry completely.

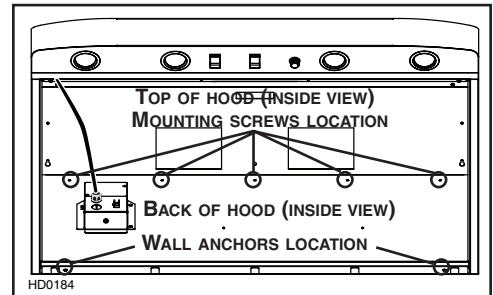
11. INSTALL THE HOOD

Rest the top back cavity of the hood on the wood mounting strip.

CAUTION

Hold the hood until it is completely secured to the wood mounting strip.

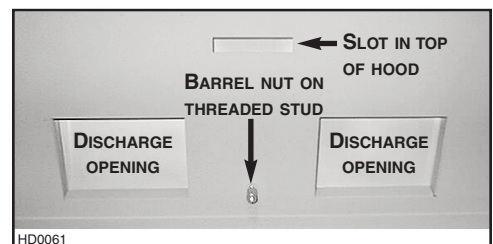
Attach transition to 10" round duct. Secure the hood to wood mounting strip with (5) screws provided at locations shown. Drill (2) 3/16" size holes into the drywall for wall anchors through the existing holes in the inside hood back in the locations shown. Then, install the two wall anchors with the remaining #8 x 3/4" screws and the (2) washers provided.



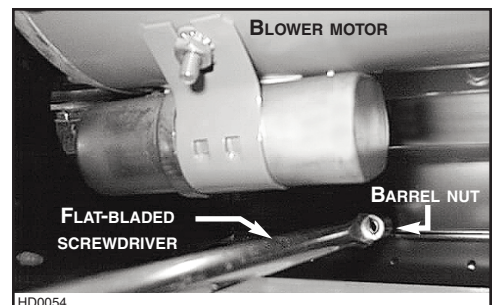
12. INSTALL THE BLOWER (INTERIOR BLOWER ONLY)

Assemble barrel nut (packed with blower) approximately halfway onto threaded stud on top inside of hood.

Lift blower to top inside of hood. Slide blower back to engage blower tab with slot in hood top and slot in blower with barrel nut.

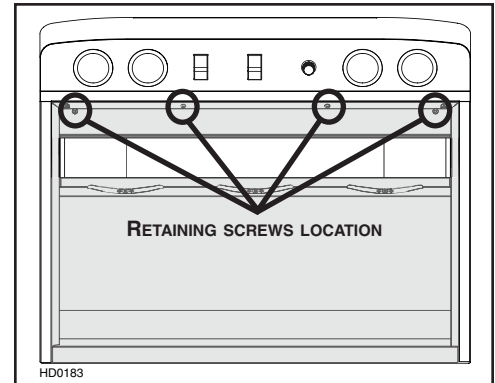


Use a long, flat-bladed screwdriver to tighten the barrel nut securely. Plug motor into receptacle, on exterior side of wire box.



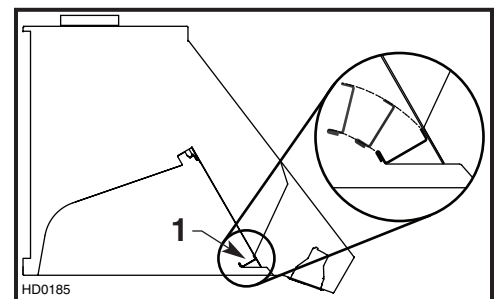
13. REINSTALL THE PAN

Using a Phillips no. 2 screwdriver and the retaining screws, reinstall the pan (previously removed in step 5) inside the hood (shaded part on illustration beside).



14. REINSTALL GREASE DRIP RAIL AND BAFFLE FILTERS

Reinstall grease drip rail (1). The illustration beside shows how to reinsert the grease drip rail into the range hood.



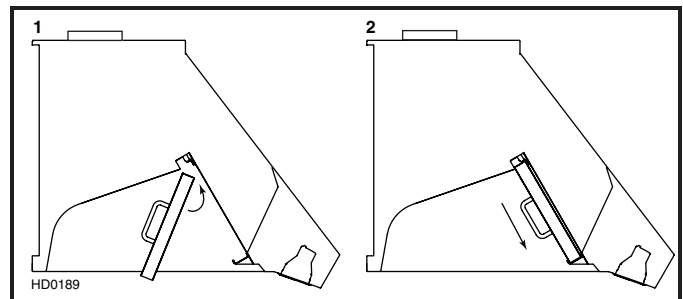
CAUTION

Remove protective plastic film covering baffle filters before installing them.

It is recommended to install side filters first and finish with center one.

1. Insert one end of baffle filter into the upper channel of the hood.
2. Raise the other end toward the inside of hood and insert in the grease drip rail of the hood.

Replacement filters are available from your dealer. See label inside hood for size and part number.



15. LIGHT BULBS REPLACEMENT

⚠ WARNING

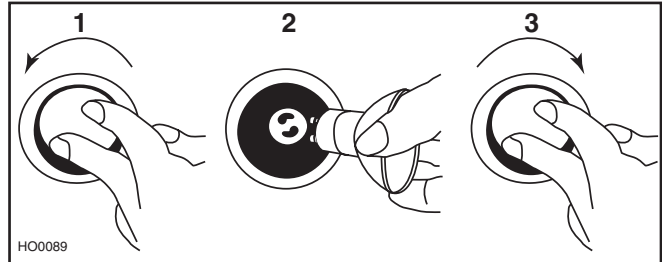
In order to prevent the risk of personal injury, do not install a lamp identified for use only in enclosed fixtures.

This hood must use 120 V, 50 W, MR16 with GU10 base or PAR16 with GU10 base, shielded halogen lamps (included).

⚠ WARNING

In order to prevent the risk of personal injury, the halogen lamps must be cooled down before removing them.

1. To remove lamps, gently push upwards and turn counterclockwise to disengage bulb leads from their grooves.
NOTE: If need be, use a rubber dishwashing glove to add grip when removing the bulb.
2. Install the new lamps by placing the bulb leads into their grooves in the socket.
3. Gently push upwards and turn clockwise until secure.



16. USE AND CARE

Baffle Filters

The baffle filters should be cleaned frequently. Use a warm detergent solution. Wash more often if your cooking style generates greater grease—like frying foods or wok cooking.

Remove filters by pushing them towards the back of hood and rotating filters downward. Baffle filters are dishwasher safe. Allow filters to dry completely before reinstalling them in the hood.

Grease Drip Rail

The grease drip rail should be cleaned frequently. Lift it out from the hood and use a warm detergent solution. Wash more often if your cooking style generates greater grease—like frying foods or wok cooking. Allow grease drip rail to dry completely before reinstalling it in the hood.

Blower Cleaning

Remove the filters in order to access the blower. Vacuum blower to clean. Do not immerse in water. Refer to blower instruction manual for more details.

Hood Cleaning

Stainless steel cleaning: How to maintain its “BRIGHT LOOK”

CAUTION

If this hood is installed in a salt water area (example: coast), rinse all surfaces once a week with clear water (even if the hood is not used), and wipe dry completely.

Do:

- Regularly wash with clean cloth or rag soaked with warm water and mild soap or liquid dish detergent.
- Always clean in the direction of original polish lines.
- Always rinse well with clear water (2 or 3 times) after cleaning. Wipe dry completely.
- You may also use a specialized household stainless steel cleaner.

Don't:

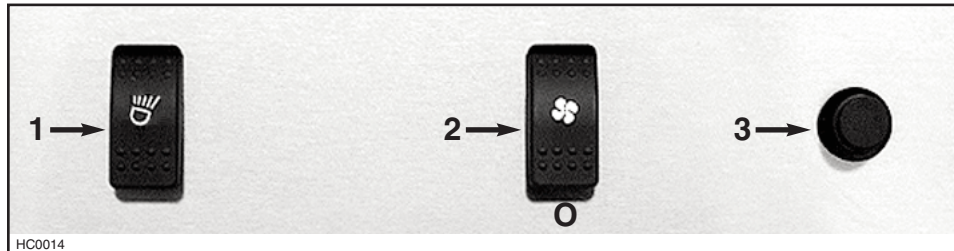
- Do not use any steel or stainless steel wool or any other scrapers to remove stubborn dirt.
- Do not use any harsh or abrasive cleansers.
- Do not allow dirt to accumulate.
- Do not let plaster dust or any other construction residues reach the hood. During construction/renovation, cover the hood to make sure no dust sticks to stainless steel surface.

Avoid: When choosing a detergent

- Any cleaners that contain **bleach** will attack stainless steel.
- Any products containing: **chloride, fluoride, iodide, bromide** will deteriorate surfaces rapidly.
- Any combustible products used for cleaning such as **acetone, alcohol, ether, benzol**, etc., are highly explosive and should never be used close to a range.

17. OPERATION

The hood is operated using the (3) controls located beneath the front edge of the hood.



1. Light switch
2. Blower ON/OFF switch
3. Blower speed control

Light switch

The light switch turns the halogen lights ON and OFF.

Use 120 V, 50 W, MR16 with GU10 base or PAR16 with GU10 base, shielded halogen lamps (included).

Blower ON/OFF switch

The blower is operated using two (2) controls.

The blower ON/OFF switch turns the blower ON to the speed preset by the speed control (item 3 on picture above).

The blower must be turned ON and OFF using this switch.

Blower speed control

Turn the speed control knob counterclockwise to increase blower speed—clockwise to decrease speed.

HEAT SENTRY

This hood is equipped with a HEAT SENTRY thermostat. This thermostat is a device that will speed up the blower if it senses excessive heat above the cooking surface.

If blower is ON at a lower speed setting—it turns the blower up to HIGH speed.

When the temperature level drops to normal, the blower will return to its original setting.

Using hood with a covered gas grille

When opening the cover on your gas grille, you may notice a reduction in the capture of smoke and steam.

WARRANTY

BROAN ONE-YEAR LIMITED WARRANTY

Broan warrants to the original consumer purchaser of its products that such products will be free from defects in materials or workmanship for a period of one year from the date of original purchase. THERE ARE NO OTHER WARRANTIES, EXPRESS OR IMPLIED, INCLUDING, BUT NOT LIMITED TO, IMPLIED WARRANTIES OR MERCHANTABILITY OR FITNESS FOR A PARTICULAR PURPOSE.

During this one-year period, Broan will, at its option, repair or replace, without charge, any product or part which is found to be defective under normal use and service.

This warranty does not cover (a) normal maintenance and service or (b) any products or parts which have been subject to misuse, negligence, accident, improper maintenance or repair (other than by Broan), faulty installation or installation contrary to recommended installation instructions.

The duration of any implied warranty is limited to the one-year period as specified for the express warranty. Some states or provinces do not allow limitation on how long an implied warranty lasts, so the above limitation may not apply to you.

BROAN'S OBLIGATION TO REPAIR OR REPLACE, AT BROAN'S OPTION, SHALL BE THE PURCHASER'S SOLE AND EXCLUSIVE REMEDY UNDER THIS WARRANTY. BROAN SHALL NOT BE LIABLE FOR INCIDENTAL, CONSEQUENTIAL OR SPECIAL DAMAGES ARISING OUT OF OR IN CONNECTION WITH PRODUCT USE OR PERFORMANCE. Some states or provinces do not allow the exclusion or limitation of incidental or consequential damages, so the above limitation or exclusion may not apply to you.

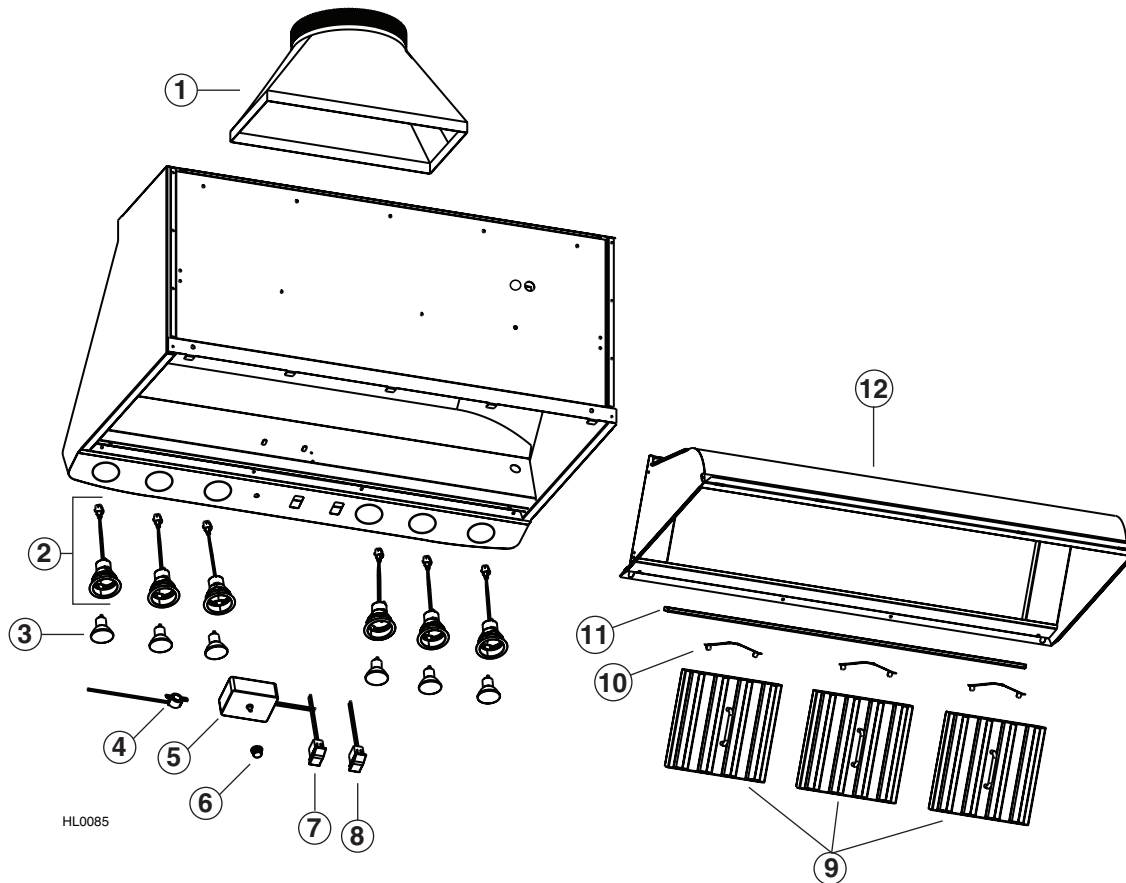
This warranty gives you specific legal rights, and you may also have other rights, which vary from state to state or province to another. Any modification performed on this product without the authorization of Broan will void this warranty. This warranty supersedes all prior warranties.

To qualify for warranty service, you must (a) notify Broan at the address or telephone number stated below, (b) give the model number and part identification and (c) describe the nature of any defect in the product or part. At the time of requesting warranty service, you must present evidence of the original purchase date.

Best by Broan[®], P.O. Box 140, Hartford, WI 53027 USA (1-800-637-1453)

Best by Broan[®], 550 Lemire Blvd., Drummondville, QC J2C 7W9 CANADA (1-866-737-7770)

SERVICE PARTS



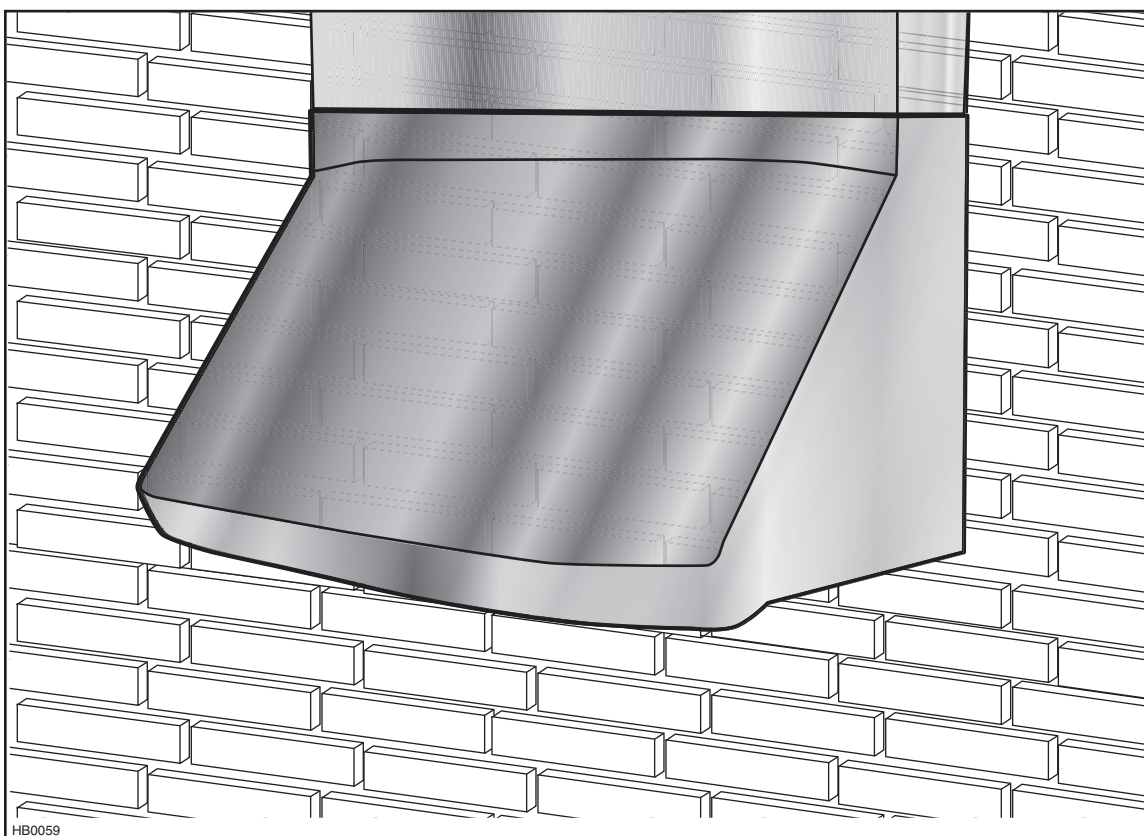
HL0085

WPD29M MODEL

KEY NO.	PART NUMBER	DESCRIPTION	QTY (HOOD WIDTH)	
			42"	54"
1	V03428	TRANSITION 9" x 18" x 10" ROUND	1	1
2	V16765	LAMP SHELL, SOCKET OUTDOOR AND TRIM ASS'Y GU-10	4	6
3	V05921	HALOGEN BULBS (50 W, 120 V, PAR16, GU-10)	4	6
4	V06497	THERMISTOR HEAT SENTRY	1	1
5	V06364	ROTARY SPEED CONTROL	1	1
6	V03504	BLOWER SPEED CONTROL KNOB	1	1
7	V06495	LIGHT SWITCH	1	1
8	V06496	BLOWER SWITCH	1	1
9	V16939	BAFFLE FILTERS 8.95" x 8.61" x 1"	2	-
9	V16940	BAFFLE FILTERS 14.95" x 8.61" x 1"	1	3
10	V15432	FILTER SPRING CLIP	3	3
11	V16958	GREASE DRIP RAIL 36", SS316	1	-
11	V16964	GREASE DRIP RAIL 48", SS316	-	1
12	V16996	INSIDE FRAME ASS'Y (42" x 24" x 18") (INCLUDING ITEM 10)	1	-
12	V16997	INSIDE FRAME ASS'Y (54" x 24" x 18") (INCLUDING ITEM 10)	-	1
*	V07697	INSTALLATION GUIDE	1	1
*	V04216	PARTS BAG (WATERPROOF WIRE CONNECTOR (3), WIRE CLAMPS LP16-AP (2), SCREWS #8 x 5/8" (8), SCREWS #8 x 3/8" (8), FLAT HEAD SCREW #10 x 2" (4), WALL ANCHORS (2), WASHERS 3/16" ID x 3/4" OD (2))	1	1
*	V05869	BEST BY BROAN LOGO	1	1
*	V06933	ELECTRICAL HARNESS	1	1

*NOT SHOWN.

best[®]
by **BROAN**[®]



SÉRIE WPD29M

CONVIENT À UNE INSTALLATION DANS DES LIEUX HUMIDES LORSQU'ELLE EST RACCORDÉE À UN DISJONCTEUR DE MISE À LA TERRE (DDFT).
CONÇUE POUR FONCTIONNER SUR UN PATIO COUVERT OU UNE VÉRANDA.

⚠ CONÇUE UNIQUEMENT POUR USAGE DOMESTIQUE ⚠

LIRE ET CONSERVER CES INSTRUCTIONS

INSTALLATEUR : LAISSER CE MANUEL AU PROPRIÉTAIRE.
PROPRIÉTAIRE : DIRECTIVES D'UTILISATION ET D'ENTRETIEN AUX PAGES 22 ET 23.

Aux États-Unis — BEST BY BROAN[®] P.O. Box 140, Hartford, WI 53027 USA
Au Canada — BEST BY BROAN[®] 550, boul. Lemire, Drummondville (Québec) J2C 7W9 CANADA

Pour obtenir plus d'information, consultez notre site www.bestbybroan.com

V07697 rév. A

AVERTISSEMENT

AFIN DE RÉDUIRE LE RISQUE D'INCENDIE, D'ÉLECTROCUTION OU DE BLESSURES CORPORELLES, SUIVEZ LES INSTRUCTIONS SUIVANTES :

1. N'utilisez cet appareil que de la façon prévue par le fabricant. Si vous avez des questions, contactez le fabricant à l'adresse et au numéro de téléphone indiqués dans la garantie.
2. Avant de réparer ou de nettoyer l'appareil, coupez l'alimentation électrique en verrouillant le panneau de service afin d'éviter sa remise en marche accidentelle. Si le panneau de service ne peut être verrouillé, y fixer un avertissement en évidence.
3. Les travaux d'installation et de raccordement électrique doivent être effectués par du personnel qualifié, conformément aux codes et aux standards de construction, incluant ceux concernant le feu.
4. Une quantité d'air adéquate est requise afin d'assurer une bonne combustion et l'évacuation des gaz par la cheminée dans le cas des équipements alimentés au gaz afin de prévenir les retours de cheminée. Conformez-vous aux instructions et aux standards de sécurité des fabricants d'équipement de chauffage, tels qu'ils sont publiés par la National Fire Protection Association (NFPA) et l'American Society for Heating, Refrigeration and Air Conditioning Engineers (ASHRAE) ainsi que les responsables des codes locaux.
5. Lorsque vous coupez ou percez un mur ou un plafond, prenez garde de ne pas endommager les fils électriques ou tout appareil dissimulé.
6. Les ventilateurs avec conduits doivent toujours évacuer l'air à l'extérieur.
7. Ne pas utiliser cet appareil avec une commande de vitesse à semi-conducteur additionnelle.
8. Afin de réduire les risques d'incendie, n'utilisez que des conduits de métal.
9. Cet appareil doit être mis à la terre et protégé par un DDFT (disjoncteur de fuite à la terre).
10. Convient à une utilisation dans des lieux humides seulement lorsqu'elle est raccordée à un DISJONCTEUR DE FUITE À LA TERRE (DDFT).
11. Cet appareil n'est pas conçu pour être utilisé avec un barbecue.

AFIN DE RÉDUIRE LE RISQUE DE FEU DE CUISINIÈRE :

- a) Ne laissez jamais les appareils de cuisson sans surveillance lorsqu'ils sont réglés à feu vif. Les débordements engendrent de la fumée et des déversements graisseux pouvant s'enflammer. Chauffez l'huile lentement, à feu doux ou moyen.
- b) Mettez toujours la hotte en marche lorsque vous cuisinez à feu vif ou que vous cuisinez des mets flambés (crêpes Suzette, cerises jubilé, steaks au poivre flambé).
- c) Nettoyez régulièrement la (les) roue(s) du ventilateur. Ne laissez pas la graisse s'accumuler sur le ventilateur ou les filtres.
- d) Utilisez le bon format de casserole. Servez-vous toujours de casseroles et d'ustensiles appropriés à la dimension de la surface chauffante.

AVERTISSEMENT

AFIN D'ÉVITER TOUT RISQUE DE BLESSURES DANS LE CAS D'UN FEU DE CUISINIÈRE, SUIVEZ CES DIRECTIVES* :

1. Éteignez les flammes avec un couvercle hermétique, une tôle à biscuits ou un plateau métallique et ensuite, éteindre le brûleur. PRENEZ SOIN D'ÉVITER LES BRÛLURES. SI LES FLAMMES NE S'ÉTEIGNENT PAS IMMÉDIATEMENT, ÉVACUEZ LES LIEUX ET APPELEZ LES POMPIERS.
2. NE PRENEZ JAMAIS UNE CASSEROLE EN FLAMMES DANS VOS MAINS. Vous pourriez vous brûler.
3. N'UTILISEZ PAS D'EAU, incluant linge à vaisselle ou serviette mouillés; cela pourrait occasionner une violente explosion de vapeur.
4. N'utilisez un extincteur QUE DANS LE CAS OÙ :
 - A. Vous savez qu'il s'agit d'un extincteur de classe ABC et que vous en connaissez le fonctionnement.
 - B. L'incendie est petit et limité à l'endroit où il a débuté.
 - C. Les pompiers ont été avisés.
 - D. Vous pouvez combattre l'incendie en ayant accès à une sortie de secours.

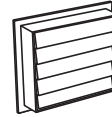
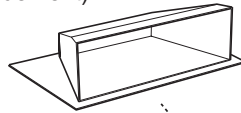
*Tirées du *Kitchen Fire Safety Tips* publié par la NFPA.

ATTENTION

1. Pour usage domestique seulement. Ne l'utilisez pas pour évacuer des vapeurs ou des matières dangereuses ou explosives.
2. Afin d'éviter tout dommage au moteur et de débalancer ou de rendre bruyante la roue du moteur, gardez votre appareil à l'abri des poussières de gypse et de construction/rénovation, etc.
3. Le moteur de votre hotte possède une protection thermique qui éteindra automatiquement le moteur s'il devient surchauffé. Le moteur repartira automatiquement une fois refroidi. Si le moteur continue à arrêter et à repartir, faites-le vérifier.
4. Pour une meilleure évacuation des odeurs de cuisson, le bas de votre hotte devrait être situé à un minimum de 30 po et à un maximum de 36 po au-dessus de la table de cuisson.
5. Deux installateurs sont recommandés lors de l'installation vu la grande dimension et le poids de cette hotte.
6. Afin de réduire les risques d'incendie, assurez-vous d'évacuer l'air à l'extérieur. Ne pas évacuer l'air dans des espaces restreints comme l'intérieur des murs ou plafond ou dans le grenier, vide sanitaire ou garage.
7. Cet appareil est équipé d'un thermostat pouvant faire démarrer le ventilateur automatiquement. Afin de réduire le risque de blessures, couper le courant à partir du panneau électrique et verrouiller ou apposer un avertissement sur le panneau afin de prévenir que la hotte soit mise en marche automatiquement.
8. Afin de réduire les risques d'incendie et d'électrocution, la hotte Best by Broan de série WPD29M doit être installée uniquement avec le ventilateur intérieur Best by Broan P12D; un des ventilateurs extérieurs Best by Broan suivants : EB12 ou EB15, ou le ventilateur en ligne Best by Broan ILB11 (vendus séparément). Aucun autre ventilateur ne doit être utilisé.
9. Veuillez consulter l'autocollant apposé à l'intérieur de la hotte pour plus d'information ou autres exigences.

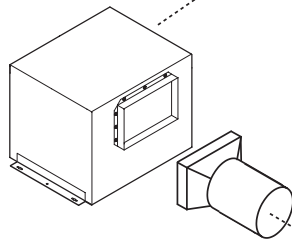
- SYSTÈME DE HOTTE DE CUISINIÈRE SÉRIE WPD29M -

Modèle 437
(Capuchon de toit à haut rendement)



Modèle 441
(Capuchon de toit
de 10 po rond)

Ventilateur en ligne
modèle ILB11 (1100 pcm)
(incluant deux transitions
rondes de 8 po x 12 po à 10 po)



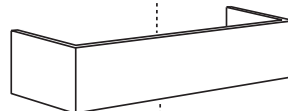
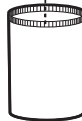
Ventilateur extérieur
modèle EB12 (1200 pcm)
ou EB15 (1500 pcm),
vendus séparément

Modèle 418
(Coude ajustable
de 10 po rond)



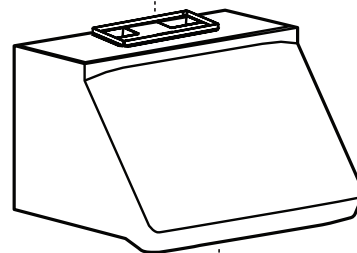
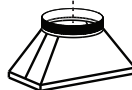
Modèle 421
(Volet intérieur de
10 po rond vert.)
Recommandé
pour utilisation
avec ventilateurs
extérieurs

Modèle 410
(Conduit de 10 po rond,
sections de 2 pi)

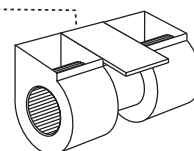


**CHEMINÉE DÉCORATIVE
OPTIONNELLE SÉRIE AEWPD**

Modèle SV03428,
transition ronde de
9 po x 18 po à 10 po
(Incluse avec la hotte.)



**HOTTE SÉRIE
WPD29M**
(Avec commandes
ventilateur et
éclairage. Requise
pour toutes
les installations.)



**MODÈLE P12D
VENTILATEUR**
(Ventilateur intérieur
de 1200 pcm,
vendu séparément)

HL0084

1. PRÉPARER L'EMPLACEMENT DE LA HOTTE ET CHOISIR LE TYPE D'INSTALLATION

Cette hotte de cuisinière a été conçue pour fonctionner avec une cuisinière électrique ou à gaz, lorsqu'elle est utilisée sur un patio couvert ou une véranda. Comme tous les électroménagers, cet appareil doit, autant que possible, être à l'abri des intempéries.

⚠ AVERTISSEMENT

Cet appareil n'est pas conçu pour être utilisé avec un barbecue.

Cette hotte fonctionne autant avec un ventilateur intérieur, en ligne ou extérieur. La hotte de modèle Best by Broan de série WPD29M doit être installée uniquement avec l'un des ventilateurs suivants : P12D, ILB11, EB12 ou EB15 (vendus séparément). Aucun autre ventilateur ne peut être utilisé.

Déterminer à quel endroit et de quelle façon les conduits seront installés.

Si le ventilateur en ligne ILB11 est installé, ne pas utiliser sa plaque ventilateur. Se reporter aux directives incluses avec celui-ci et suivre les étapes 1 à 6, 8 à 11, 13 et suivantes de ce guide.

Installer des conduits circulaires de 10 po en acier galvanisé, coude(s) et capuchon de mur ou de toit selon le type de ventilateur. Se servir de ruban adhésif pour conduits en métal pour assurer l'étanchéité des joints.

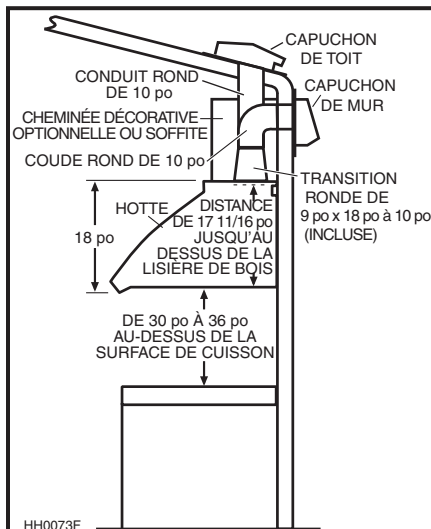
La distance minimale entre le bas de votre hotte et la surface de cuisson ne doit pas être inférieure à 30 po. Un maximum de 36 po au-dessus de la surface de cuisson est fortement recommandé pour une meilleure évacuation des odeurs de cuisson.

Une distance de plus de 36 po demeure à la discrétion de l'installateur et de l'utilisateur.

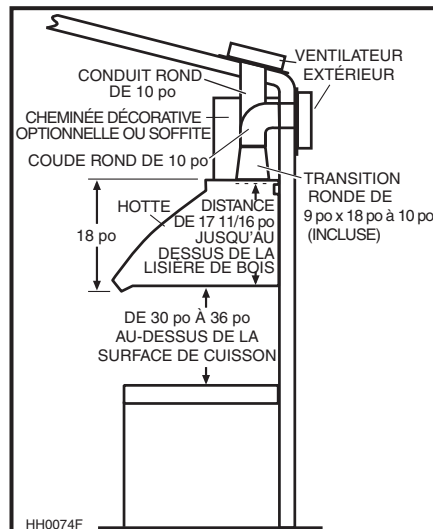
Passer l'alimentation électrique jusqu'à l'emplacement de l'installation.

⚠ AVERTISSEMENT

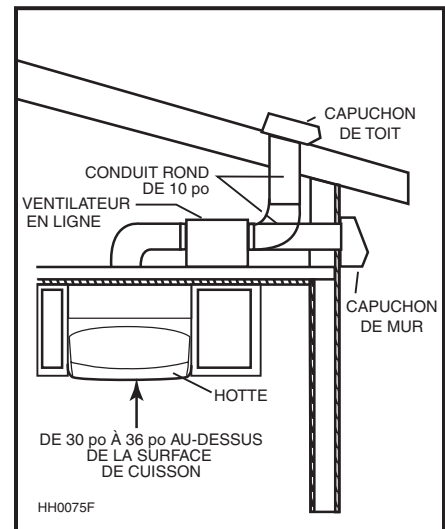
Le fil d'alimentation électrique doit être raccordé à un disjoncteur de fuite à la terre (DDFT).



INSTALLATION TYPIQUE
VENTILATEUR INTÉRIEUR DOUBLE
MODÈLE P12D



INSTALLATION TYPIQUE
VENTILATEUR EXTÉRIEUR
MODÈLE EB12 OU EB15



INSTALLATION TYPIQUE
VENTILATEUR EN LIGNE
MODÈLE ILB11

2. PRÉPARER L'INSTALLATION

ATTENTION

Il est recommandé de porter des lunettes et des gants de sécurité lors de l'installation, de l'entretien ou de la réparation de cet appareil.

Retirer la trousse d'installation de l'intérieur de la hotte.

S'assurer que les articles suivants sont inclus :

- Lisière de bois
- Guide d'installation
- Transition (9 po x 18 po à 10 po ronde)
- Les accessoires incluant :
 - Les filtres à chicanes (3)
 - Ampoules halogènes avec écran (20 V, 50 W, avec culot GU10) (4 pour une hotte de 42 po de largeur, 6 pour une hotte de 54 po de largeur)
 - Le sac de pièces incluant :
 - (3) connecteurs étanches, (2) serre-fils, (4) vis à tête plate n° 10-2 po, (8) vis n° 8 x 5/8 po, (8) vis n° 8 x 3/8 po, (2) ancrages de gypse, (2) rondelles 3/16 po DI x 3/4 po DE

Pièces vendues séparément :

- Ventilateur intérieur modèle P12D.
- Ensemble de ventilateur en ligne, modèle ILB11, incluant les transitions et la plaque ventilateur. Ne pas utiliser la plaque ventilateur.
- Ensemble de ventilateur extérieur, modèle EB12 ou EB15 (tous incluant la plaque ventilateur). Ne pas utiliser la plaque ventilateur.
- Conduits, coudes, volets, capuchons de mur ou de toit. Consulter la page 15 pour la liste complète des accessoires de ventilation et les numéros de modèle.
- Cheminée décorative optionnelle série AEWPD.

3. RETIRER LES FILTRES ET LA GOUTTIÈRE

A. Enlever le ruban des filtres.

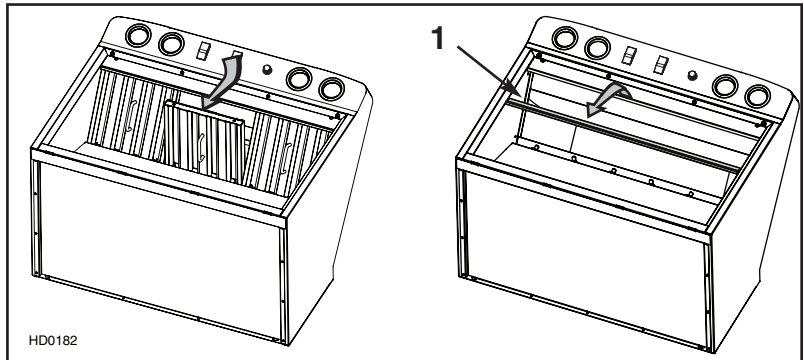
Retirer les filtres de la hotte et les mettre de côté.

NOTE : Il est recommandé de retirer le filtre central en premier.

B. Enlever le ruban de la gouttière (1).

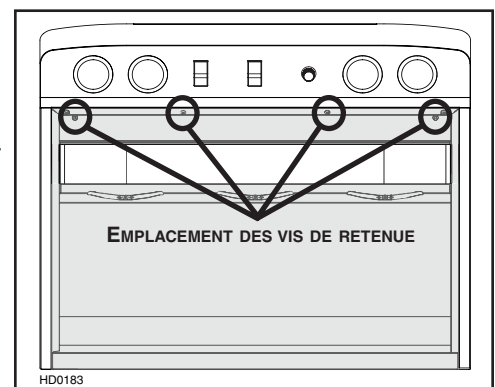
Dégager la gouttière de la hotte et la mettre de côté.

NOTE : Lorsque la hotte est dans la position démontrée ci-contre et que l'on retire le ruban, il se peut que la gravité fasse tomber la gouttière.



4. RETIRER LE CADRE INTÉRIEUR

À l'aide d'un tournevis Phillips n° 2, enlever les vis retenant le cadre intérieur (la pièce colorée en gris dans l'illustration ci-contre) à la hotte. Retirer le cadre intérieur et le mettre de côté.



5. RETIRER LA TRANSITION

À l'aide d'un tournevis Phillips n° 2, retirer et jeter les deux vis et rondelles retenant la transition à l'intérieur de la hotte. Retirer la transition ainsi que la lisière de bois (au dos de la hotte) et mettre de côté.



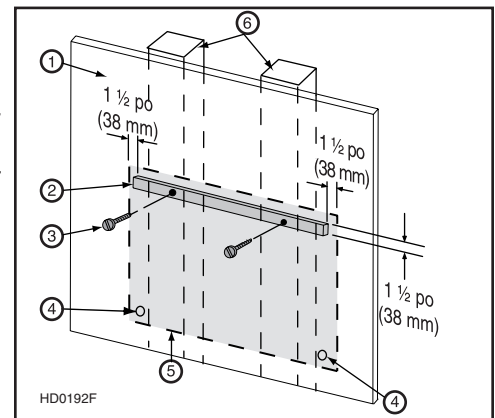
6. INSTALLER LA LISIÈRE DE BOIS

Mesurer et tracer une ligne droite au-dessus de la surface de cuisson pour l'emplacement de la lisière de bois (voir l'illustration en page 16).

Centrer la lisière de bois, voir l'illustration ci-contre. Fixer la lisière de bois au mur à l'aide des vis à tête plate n° 10-2 po en s'assurant d'atteindre les montants.

ATTENTION

Vu le poids élevé de cette hotte, s'assurer que la lisière de bois soit bien rattachée à tous les montants disponibles. Ne pas visser la lisière de bois uniquement au mur.



1. Mur
2. Lisière de bois
3. Vis à tête fraisée
4. Localisation des ancrages de gypse
5. Tracé de l'arrière de la hotte
6. Montants

7. CHOISIR L'OPTION VENTILATEUR (EXTÉRIEUR OU INTÉRIEUR)

VENTILATEUR INTÉRIEUR : Suivre toutes les étapes subséquentes de ce guide.

VENTILATEUR EXTÉRIEUR : Ne pas utiliser la plaque ventilateur. Voir les instructions fournies avec le ventilateur extérieur et suivre les étapes 8 à 11, 13 et suivantes du présent guide.

8. BRANCHEMENT ÉLECTRIQUE

⚠ AVERTISSEMENT

Risque d'électrocution. Le raccordement électrique doit être effectué par du personnel qualifié conformément aux codes et aux standards. Avant d'effectuer le branchement, coupez l'alimentation électrique au panneau de service et verrouillez-le pour éviter une mise en marche accidentelle.

TOUTES LES INSTALLATIONS :

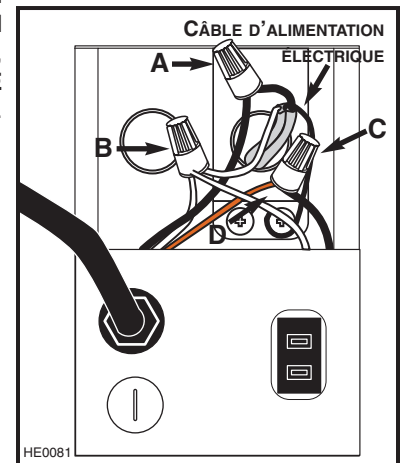
Retirer le couvercle du boîtier électrique. Installer le(s) serre-fils au dos de la hotte. Placer la hotte près de son futur emplacement.

NOTE : Le trou d'accès pour le fil d'alimentation électrique existe déjà. Perforer l'ouverture préamorcée seulement si un ventilateur extérieur ou en ligne sera installé.

8.1 VENTILATEUR INTÉRIEUR :

Par le serre-fils, insérer le câble d'alimentation électrique dans le boîtier électrique et serrer le serre-fils pour le maintenir en place. Se défaire du connecteur reliant les fils NOIR et BLANC de l'intérieur du boîtier électrique. Connecter les fils du câble d'alimentation électrique au boîtier électrique à l'aide des connecteurs étanches fournis.

Connecter les fils comme suit : le fil NOIR du câble d'alimentation électrique avec le fil NOIR du panneau de contrôle de la hotte (**A**), tous les fils BLANCS ensemble (**B**), le fil NOIR du boîtier électrique avec le fil ORANGE du panneau de contrôle de la hotte (**C**), et le fil VERT ou DÉNUDÉ sous la vis de mise à la terre (**D**). **NE PAS OUBLIER DE BRANCHER LA MISE À LA TERRE.** Remettre en place le couvercle du boîtier électrique.



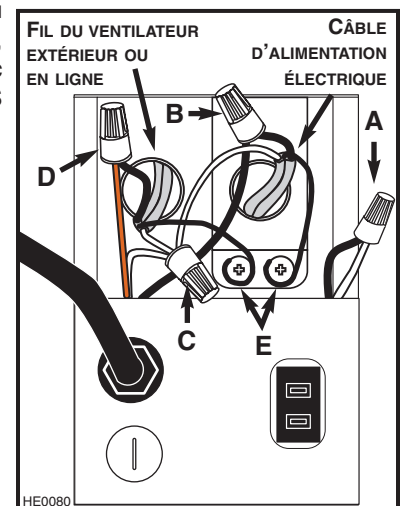
DIRECTIVES POUR L'UTILISATION DES CONNECTEURS ÉTANCHES :

1. Dégainer les fils d'une longueur de 3/8 po.
2. Égaliser les brins ou les conducteurs.
3. Ne pas les tordre. Rapprocher les fils et mettre leurs bouts égaux, sauf pour les fils à brins plus petits, lesquels doivent dépasser légèrement des fils plus gros.
4. Insérer les fils dans le connecteur en poussant légèrement et tordre. **NE PAS** trop tordre.
5. Un peu de scellant pourrait s'échapper lors de l'insertion des fils dans un connecteur. Essuyer l'excès de scellant autour des conducteurs. **NE PAS RÉUTILISER.**

8.2 VENTILATEUR EXTÉRIEUR OU EN LIGNE :

Par les serre-fils, insérer le câble d'alimentation électrique et le fil du ventilateur extérieur ou en ligne dans le boîtier électrique et serrer les serre-fils pour les maintenir en place. **NE PAS ENLEVER** le connecteur reliant les fils NOIR et BLANC (**A**) de l'intérieur du boîtier électrique.

À l'aide des connecteurs étanches fournis, connecter les fils comme suit : le fil NOIR du câble d'alimentation électrique avec le fil NOIR du panneau de contrôle de la hotte (**B**), tous les fils BLANCS ensemble (**C**), le fil NOIR du ventilateur extérieur ou en ligne avec le fil ORANGE du panneau de contrôle de la hotte (**D**), et les fils VERTS ou DÉNUDÉS sous les vis de mise à la terre (**E**). **NE PAS OUBLIER DE BRANCHER LA MISE À LA TERRE.** Remettre en place le couvercle du boîtier électrique.

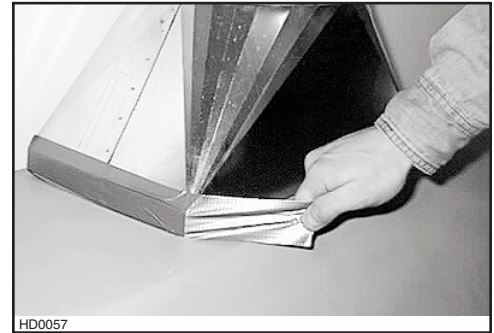


DIRECTIVES POUR L'UTILISATION DES CONNECTEURS ÉTANCHES :

1. Dégainer les fils d'une longueur de 3/8 po.
2. Égaliser les brins ou les conducteurs.
3. Ne pas les tordre. Rapprocher les fils et mettre leurs bouts égaux, sauf pour les fils à brins plus petits, lesquels doivent dépasser légèrement des fils plus gros.
4. Insérer les fils dans le connecteur en poussant légèrement et tordre. **NE PAS** trop tordre.
5. Un peu de scellant pourrait s'échapper lors de l'insertion des fils dans un connecteur. Essuyer l'excès de scellant autour des conducteurs. **NE PAS RÉUTILISER.**

9. INSTALLER LA TRANSITION

Installer la transition sur le dessus de la hotte. Sceller les joints avec du ruban à conduit en métal.



10. INSTALLER LA CHEMINÉE DÉCORATIVE (OPTIONNELLE)

CHEMINÉE DÉCORATIVE OPTIONNELLE DE SÉRIE AEWPD

Voir les directives incluses avec la cheminée décorative optionnelle.

ATTENTION

Si cette cheminée décorative est installée dans un environnement salin (ex. : la côte), rincer à l'eau claire toutes les surfaces une fois par semaine (même si la hotte n'est pas utilisée) et essuyer complètement.

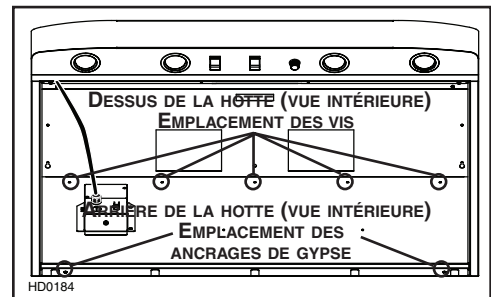
11. INSTALLER LA HOTTE

En appuyant la hotte au mur, insérer la lisière de bois dans la cavité arrière de la hotte.

ATTENTION

Retenir la hotte jusqu'à ce qu'elle soit complètement vissée à la lisière de bois.

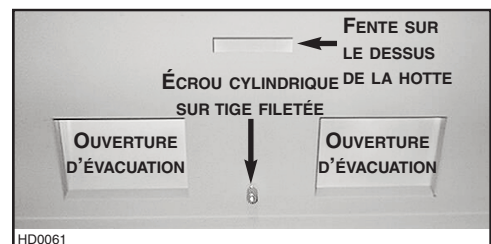
Attacher la transition au conduit rond de 10 po. Fixer la hotte à la lisière de bois aux endroits indiqués à l'aide de (4) vis fournies. En se servant des trous existants dans la hotte, percer le mur aux endroits indiqués de (2) trous de 3/16 po pour les ancrages de gypse. Puis, insérer les (2) ancrages de gypse et fixer la hotte à ces ancrages avec les (2) vis n° 8 x 3/4 po restantes et les (2) rondelles fournies.



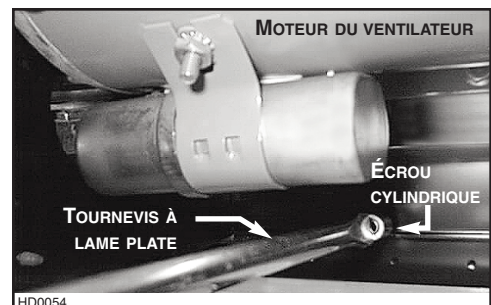
12. INSTALLER LE VENTILATEUR (VENTILATEUR INTÉRIEUR SEULEMENT)

Engager l'écrou cylindrique (fourni avec le ventilateur) environ à mi-chemin sur la tige filetée située sur le dessus intérieur de la hotte.

Soulever le ventilateur à l'intérieur de la hotte, puis le glisser vers l'arrière de façon à engager la patte du ventilateur dans la fente du dessus de la hotte, et la tige filetée et son écrou dans la fente du ventilateur.

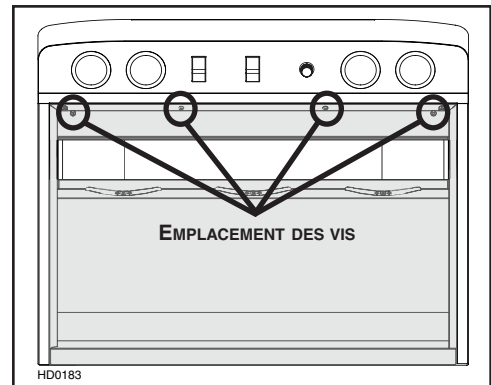


À l'aide d'un long tournevis à lame plate, visser complètement l'écrou à la tige filetée. Brancher le cordon du moteur à sa prise, sur le boîtier électrique.



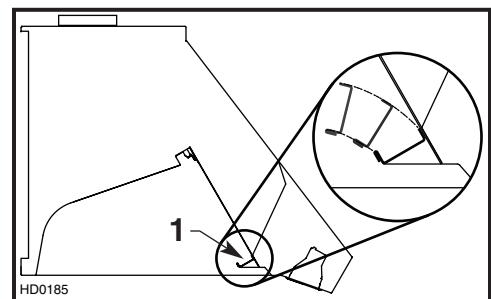
13. REMETTRE EN PLACE LE CADRE INTÉRIEUR

À l'aide d'un tournevis Phillips n° 2 et de ses vis, remettre en place le cadre intérieur (retiré précédemment à l'étape 5) à l'intérieur de la hotte (la pièce colorée en gris dans l'illustration ci-contre).



14. RÉINSTALLER LA GOUTTIÈRE ET LES FILTRES

Réinstaller la gouttière (1). L'image ci-contre illustre la façon de réinsérer la gouttière dans la hotte.



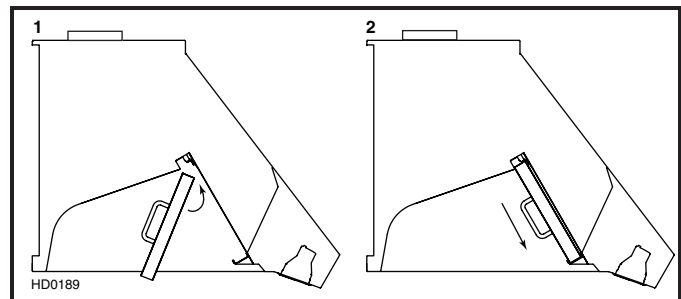
ATTENTION

Avant d'installer les filtres à chicanes, retirer la pellicule de plastique protectrice de ceux-ci.

Il est recommandé d'installer d'abord les filtres situés aux extrémités et de terminer avec celui du centre.

1. Introduire une extrémité du filtre dans le rail supérieur de la hotte.
2. Lever l'autre bout du filtre à l'intérieur de la hotte et l'introduire dans la gouttière.

Des filtres de rechange sont offerts chez votre marchand. Consulter l'étiquette à l'intérieur de la hotte pour connaître le format et le numéro de pièce des filtres.



15. REMPLACEMENT DES LAMPES HALOGÈNES

⚠ AVERTISSEMENT

Afin de réduire le risque de blessures corporelles, ne pas installer une ampoule conçue uniquement pour des luminaires fermés.

Cette hotte utilise des ampoules halogènes avec écran (120 V, 50 W, MR16 avec culot GU10, ou PAR16 avec culot GU10) incluses.

⚠ AVERTISSEMENT

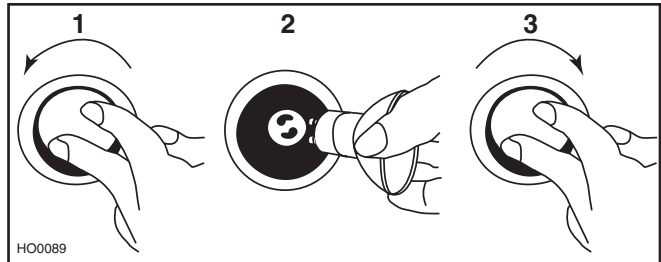
Afin de réduire le risque de blessures corporelles, attendre que l'ampoule halogène soit refroidie avant de la retirer.

1. Pour retirer les ampoules, pousser doucement vers le haut et tourner dans le sens contraire des aiguilles d'une montre pour désengager les conducteurs hors de leur rainure.

NOTE : Si nécessaire, utiliser un gant à vaisselle pour obtenir une meilleure prise de l'ampoule lors de son retrait.

2. Installer les nouvelles ampoules en glissant leurs conducteurs dans les rainures, à l'intérieur des douilles.

3. Pousser doucement vers le haut et tourner dans le sens des aiguilles d'une montre jusqu'à ce que les ampoules soient bien en place.



16. ENTRETIEN

Filters à chicanes

Les filtres à chicanes doivent être nettoyés fréquemment. Utiliser une solution d'eau chaude et de détergent. Les filtres à chicanes doivent être lavés plus souvent si vos habitudes de cuisson génèrent plus de graisse, par exemple de la friture ou des aliments sautés au wok.

Retirer les filtres en les poussant vers l'arrière de la hotte et en les retournant vers le bas. Les filtres à chicanes sont lavables au lave-vaisselle. Laisser les filtres sécher complètement avant de les réinstaller dans la hotte.

Gouttière

La gouttière doit être nettoyée fréquemment. Pour ce faire, la désengager de la hotte et utiliser une solution d'eau chaude et de détergent. Tout comme les filtres à chicanes, la laver plus souvent si vos habitudes de cuisson génèrent plus de graisse, par exemple de la friture ou des aliments sautés au wok. Essuyer complètement la gouttière avant de la réinstaller dans la hotte.

Nettoyage du ventilateur

Retirer les filtres pour accéder au ventilateur. Passer l'aspirateur pour le nettoyer, ne pas l'immerger dans l'eau. Pour plus de détails, consulter le guide d'installation du ventilateur.

Nettoyage de la hotte

Acier inoxydable : Comment préserver son « APPARENCE ÉTINCELANTE » :

ATTENTION

Si cette hotte est installée dans un environnement salin (ex. : la côte), rincer à l'eau claire toutes les surfaces une fois par semaine (même si la hotte n'est pas utilisée) et essuyer complètement.

À faire :

- Laver régulièrement les surfaces à l'aide d'un linge propre ou d'un chiffon imbibé d'eau tiède et de savon doux ou de détergent liquide pour vaisselle.
- Toujours nettoyer dans le sens du polissage.
- Toujours bien rincer avec de l'eau claire (2 à 3 fois) et essuyer complètement.
- Un nettoyeur domestique conçu spécialement pour l'acier inoxydable peut aussi être utilisé.

À ne pas faire :

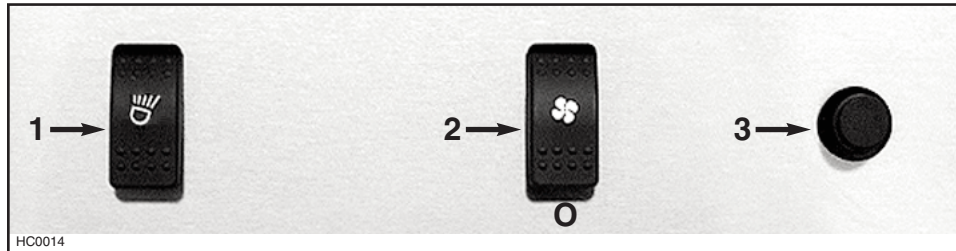
- Ne pas utiliser de laine d'acier ou d'acier inoxydable ou tout autre grattoir pour enlever la saleté tenace.
- Ne pas utiliser une poudre nettoyante abrasive ou rugueuse.
- Ne pas laisser la saleté s'accumuler.
- Ne pas laisser la poussière de plâtre ou tout autre résidu de construction atteindre la hotte. Couvrir la hotte pour la durée des travaux afin de s'assurer qu'aucune poussière n'atteigne la hotte.

À éviter lors du choix du détergent :

- Tous produits nettoyants contenant des **agents de blanchiment**; ils attaqueront l'acier inoxydable.
- Tous les produits contenant du **chlorure**, du **fluorure**, de l'**iode** ou du **bromure**; ils détérioreront rapidement les surfaces.
- Tous produits combustibles utilisés pour le nettoyage : **acétone**, **alcool**, **éther**, **benzol**, etc., ils sont hautement explosifs et ne devraient jamais être utilisés près d'une cuisinière.

17. FONCTIONNEMENT

La hotte est contrôlée par trois (3) commandes situées sous le rebord avant de celle-ci.



1. Interrupteur de l'éclairage
2. Interrupteur Marche/Arrêt du ventilateur
3. Commande de vitesse du ventilateur

Interrupteur de l'éclairage

Cet interrupteur ALLUME ou ÉTEINT l'éclairage halogène.

Utiliser des ampoules halogènes avec écran (incluses) de 120 V, 50 W, MR16 de type GU10 ou PAR16 de type GU10.

Interrupteur Marche/Arrêt du ventilateur

Le ventilateur est contrôlé par deux (2) commandes.

L'interrupteur Marche/Arrêt du ventilateur mettra en MARCHÉ le ventilateur à la vitesse présélectionnée par la commande de vitesse (3 dans l'illustration ci-dessus).

Utiliser l'interrupteur Marche/Arrêt pour actionner ou arrêter le ventilateur.

Commande de vitesse du ventilateur

Pour augmenter la vitesse, tourner le bouton de commande de vitesse dans le sens contraire des aiguilles d'une montre. Pour ralentir la vitesse, tourner dans le sens des aiguilles d'une montre.

HEAT SENTRY

Cette hotte est munie d'un thermostat HEAT SENTRY. Ce thermostat est un dispositif qui augmentera la vitesse du ventilateur s'il détecte une chaleur excessive au-dessus de la surface de cuisson.

Si le ventilateur fonctionne à basse vitesse, le ventilateur tournera à haute vitesse.

Lorsque la température revient à la normale, le ventilateur retourne à sa vitesse d'origine.

Utilisation de la hotte avec un gril à gaz muni d'un couvercle

En ouvrant le couvercle lors de la cuisson avec un gril à gaz, il peut se produire une réduction temporaire de captation de la fumée et des vapeurs de cuisson.

GARANTIE

GARANTIE LIMITÉE DE UN AN DE BROAN

Broan garantit à l'acheteur consommateur initial de ses produits qu'ils sont exempts de tout défaut dans les matières premières ou la main-d'œuvre, pour une période de un an à compter de la date d'achat par le consommateur initial. IL N'Y A PAS D'AUTRES GARANTIES, EXPRIMÉES OU IMPLICITES, INCLUANT, MAIS NON LIMITÉES AUX GARANTIES IMPLICITES POUR FIN DE COMMERCIALISATION ET DE CONVENANCE DANS UN BUT PARTICULIER.

Durant cette période de un an, Broan, à sa discrétion, réparera ou remplacera gratuitement, tout produit ou pièce qui s'avère défectueux et ayant été utilisé normalement et d'une manière non abusive.

Cette garantie ne couvre pas (a) l'entretien et le service normal ou (b) tout produit ou pièce endommagé à la suite d'un usage inapproprié, de négligence, d'un accident, d'un entretien inadéquat ou d'une réparation (autre que par Broan), d'une installation inadéquate ou non conforme au mode d'installation recommandé.

La durée de toute garantie implicite est limitée à une période de un an telle qu'elle est spécifiée pour la garantie exprimée. Certains États ou provinces ne permettent pas de limite de temps sur les garanties implicites. Si tel est le cas, veuillez ne pas tenir compte de la dernière limite décrite ci-dessus.

L'ENGAGEMENT DE BROAN DE RÉPARER OU DE REMPLACER, AU CHOIX DE BROAN, SERA LA SEULE OBLIGATION EXCLUSIVE SOUS CETTE GARANTIE. BROAN NE SERA PAS TENUE RESPONSABLE DES DOMMAGES DIRECTS, INDIRECTS OU SPÉCIAUX SURVENANT À CAUSE DE OU EN RAPPORT À L'UTILISATION OU À LA PERFORMANCE DE SES PRODUITS. Certains États ou provinces ne permettent pas l'exclusion ou la limite relative aux dommages directs, indirects ou spéciaux. Si tel est le cas, veuillez ne pas tenir compte de l'exclusion ou de la limite ci-dessus.

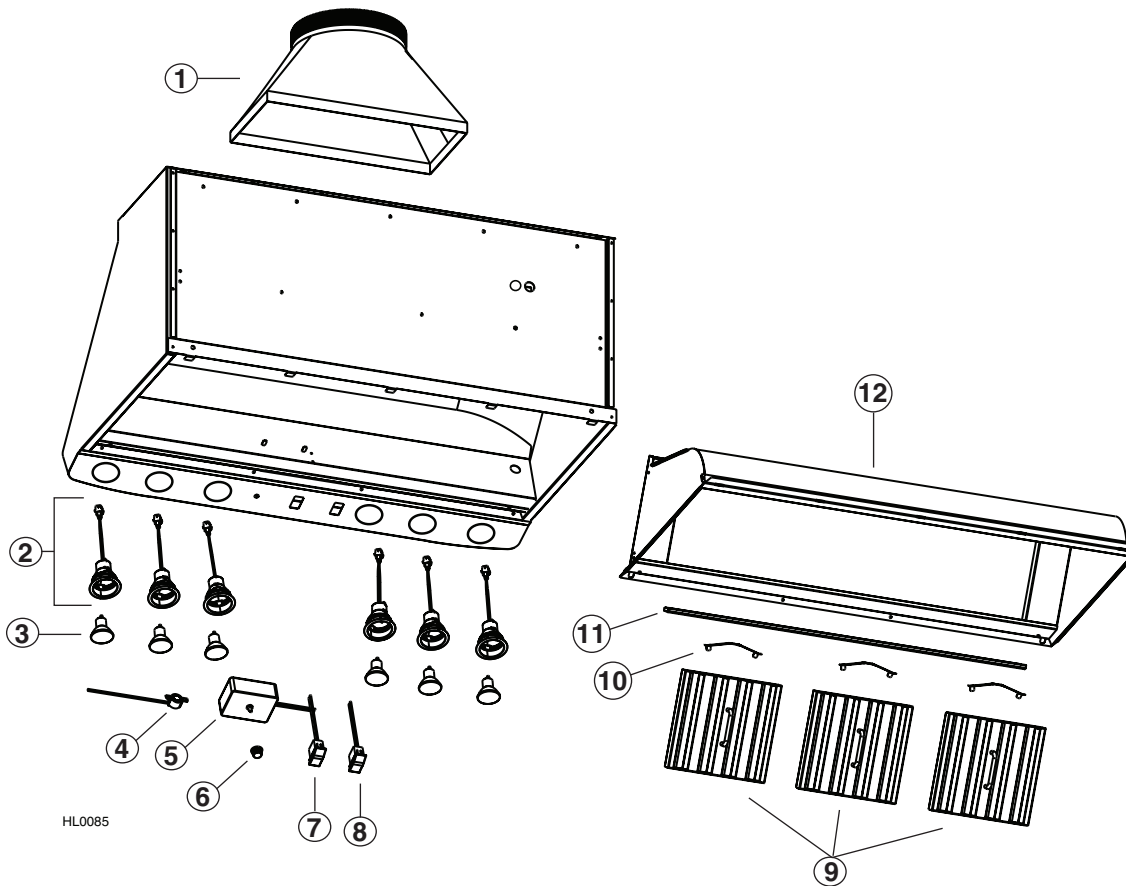
Cette garantie vous donne des droits légaux spécifiques et il se peut que vous ayez d'autres droits qui varient d'un État ou d'une province à l'autre. Cette garantie annule toutes les autres garanties précédentes.

Pour le service sous garantie, vous devez (a) aviser Broan à l'une des adresses ou numéros de téléphone mentionnés plus bas, (b) donner le numéro du modèle et l'identification de la pièce et (c) décrire la nature de tout défaut dans le produit ou la pièce. Au moment de la demande de service sous garantie, vous devez présenter une preuve de la date d'achat initial dudit produit.

Best by Broan®, P.O. Box 140, Hartford, WI 53027 USA (1 800 637-1453)

Best by Broan®, 550, boulevard Lemire, Drummondville (Québec) J2C 7W9 CANADA (1 866 737-7770)

PIÈCES DE RECHANGE



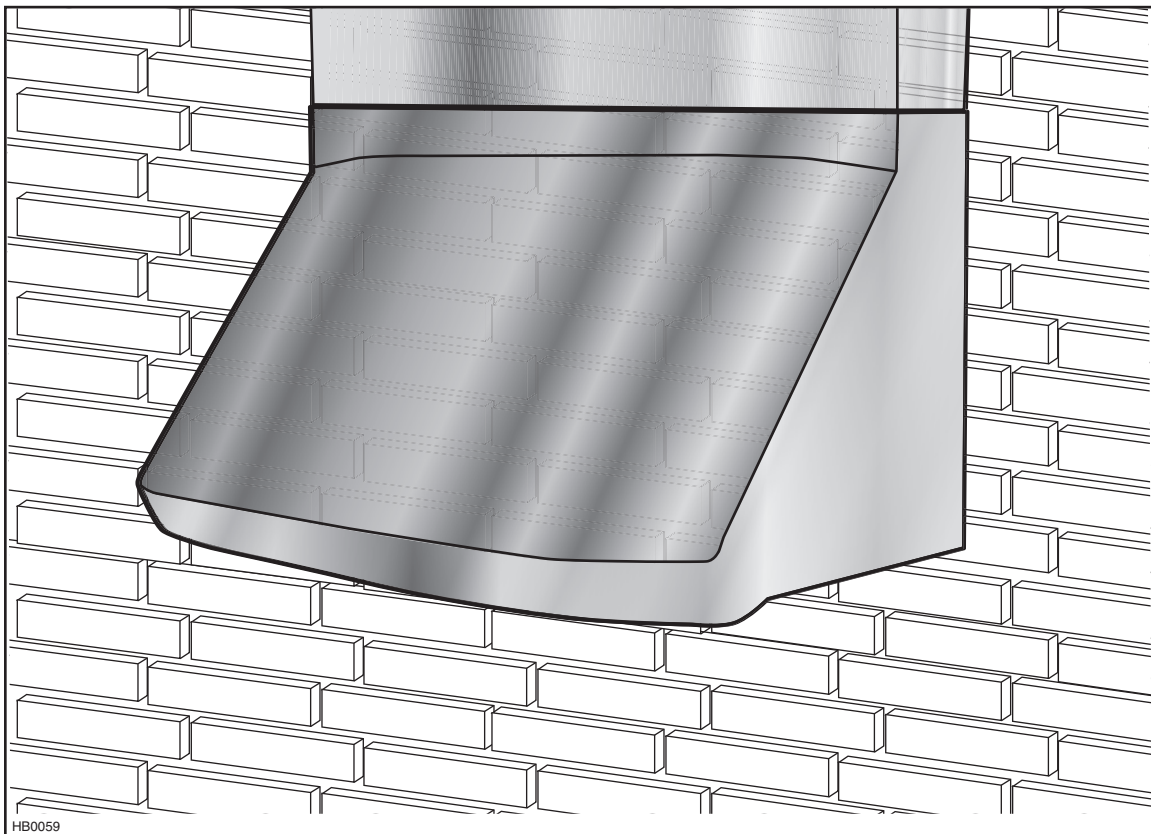
MODÈLE WPD29M

NO RÉF	NO DE PIÈCE	DESCRIPTION	QTÉ (LARGEUR)	
			42 PO	54 PO
1	V03428	TRANSITION RONDE DE 9 PO X 18 PO X 10 PO	1	1
2	V16765	ENS. EXTÉRIEUR DE DOUILLE ET DE GARNITURE DE LAMPE GU-10	4	6
3	V05921	AMPOULES HALOGÈNES (50 W, 120 V, PAR16, GU-10)	4	6
4	V06497	THERMISTOR HEAT SENTRY	1	1
5	V06364	COMMANDE DE VITESSE ROTATIVE	1	1
6	V03504	BOUTON DE COMMANDE DE LA VITESSE DU VENTILATEUR	1	1
7	V06495	INTERRUPTEUR DE L'ÉCLAIRAGE	1	1
8	V06496	INTERRUPTEUR DU VENTILATEUR	1	1
9	V16939	FILTRES À CHICANES DE 8,95 PO X 8,61 PO X 1 PO	2	-
9	V16940	FILTRES À CHICANES DE 14,95 PO X 8,61 PO X 1 PO	1	3
10	V15432	ATTACHE FILTRE	3	3
11	V16958	GOUTTIÈRE DE 36 PO, SS316	1	-
11	V16964	GOUTTIÈRE DE 48 PO, SS316	-	1
12	V16996	ENS. CADRE INTÉRIEUR (42 PO X 24 PO X 18 PO) (INCL. RÉF. 10)	1	-
12	V16997	ENS. CADRE INTÉRIEUR (54 PO X 24 PO X 18 PO) (INCL. RÉF. 10)	-	1
*	V07697	GUIDE D'INSTALLATION	1	1
*	V04216	SAC DE PIÈCES (CONNECTEURS ÉTANCHES (3), SERRE-FILS LP16-AP (2), VIS N° 8 X 5/8 PO (8), VIS N° 8 X 3/8 PO (8), VIS À TÊTE PLATE N° 10-2 PO (4), ANCRAGES (2), RONDELLES DE 3/16 PO DI X 3/4 PO DE (2))	1	1
*	V05869	LOGO BEST BY BROAN	1	1
*	V06933	HARNAIS	1	1

* NON ILLUSTRÉ.

INSTRUCCIONES DE INSTALACIÓN

best[®]
by **BROAN**[®]



SERIE WPD29M

ADECUADA PARA LUGARES HÚMEDOS CUANDO SE INSTALA EN UN CIRCUITO DE DERIVACIÓN PROTEGIDO CON UN DISYUNTOR. PREVISTA PARA PATIOS O TERRAZAS CUBIERTAS.

⚠ SÓLO PARA COCINA DOMÉSTICA ⚠

LEA Y CONSERVE ESTAS INSTRUCCIONES

INSTALADOR: ENTREGUE ESTE MANUAL AL PROPIETARIO DE LA CASA.
PROPIETARIO: INFORMACIÓN SOBRE LIMPIEZA Y FUNCIONAMIENTO EN LAS PÁGINAS 34 Y 35.

En Estados Unidos - BEST BY BROAN[®] P.O. Box 140, Hartford, WI 53027 USA
En Canadá - BEST BY BROAN[®] 550 boul. Lemire, Drummondville, QC J2C 7W9 CANADA

Para mayor información, consulte la página web www.bestbybroan.com

V07697 rev. A

ADVERTENCIA

PARA REDUCIR EL RIESGO DE INCENDIO, DESCARGA ELÉCTRICA O LESIÓN CORPORAL, RESPETE LAS SIGUIENTES INDICACIONES:

1. Utilice este aparato únicamente de la forma en que indica el fabricante. Si tiene cualquier pregunta, comuníquese con el fabricante en la dirección o teléfono que aparecen en la garantía.
2. Antes de reparar o limpiar el aparato, apáguelo en el tablero de servicio y bloquee los medios de desconexión para impedir que la corriente se conecte accidentalmente. Cuando no se pueda bloquear los medios de desconexión, coloque un dispositivo de advertencia visible (como una etiqueta) en el tablero de servicio.
3. La instalación y la conexión eléctrica deben ser realizadas por personal competente, de acuerdo con todos los códigos y normas aplicables, incluso los relativos a la construcción ignífuga.
4. Para lograr una combustión adecuada y una extracción correcta de los gases a través de la salida del humo (chimenea) del equipo quemador de combustible —evitando así el contratiempo— es necesario disponer de aire suficiente. Siga las directrices del fabricante del equipo de material térmico y las normas de seguridad, como las que publica la NFPA (asociación de protección contra los incendios) y la ASHRAE (sociedad estadounidense de técnicos de calefacción, refrigeración y aire acondicionado) así como los códigos de los organismos responsables locales.
5. Al cortar o perforar la pared o el techo, procure no dañar el cableado eléctrico ni otras instalaciones de servicios públicos.
6. Los ventiladores entubados deben tener salida siempre al exterior.
7. No utilice este aparato con un dispositivo de control de velocidad con semiconductores.
8. Para reducir el riesgo de incendio, utilice sólo tuberías de acero.
9. Este aparato debe conectarse a tierra y ha de estar protegido con un disyuntor.
10. Adecuado para lugares húmedos cuando se instala en un circuito de derivación PROTEGIDO CON UN DISYUNTOR.
11. Este aparato no está pensado para utilizarse con una parrilla de carbón.

PARA REDUCIR EL RIESGO DE QUE ARDA LA GRASA EN LA PARTE SUPERIOR DE LA COCINA:

- a) No deje nunca recipientes de cocina a fuego vivo sin vigilancia. Los desbordamientos producen humo y derrames grasientos que pueden inflamarse. Caliente el aceite despacio, a fuego lento o mediano.
- b) Ponga en marcha siempre la campana extractora al cocinar a temperaturas elevadas o al cocinar alimentos flameados (crepas Suzette, cerezas jubilee, res con pimienta flambeada).
- c) Limpie los ventiladores con frecuencia. No deje que la grasa se acumule en el ventilador ni en el filtro.
- d) Utilice cacerolas de tamaño apropiado. Emplee siempre un recipiente adecuado para el tamaño de la placa.

ADVERTENCIA

PARA REDUCIR EL RIESGO DE LESIONES CORPORALES EN EL CASO DE QUE ARDA LA GRASA EN LA PARTE SUPERIOR DE LA COCINA, SIGA ESTAS INDICACIONES*:

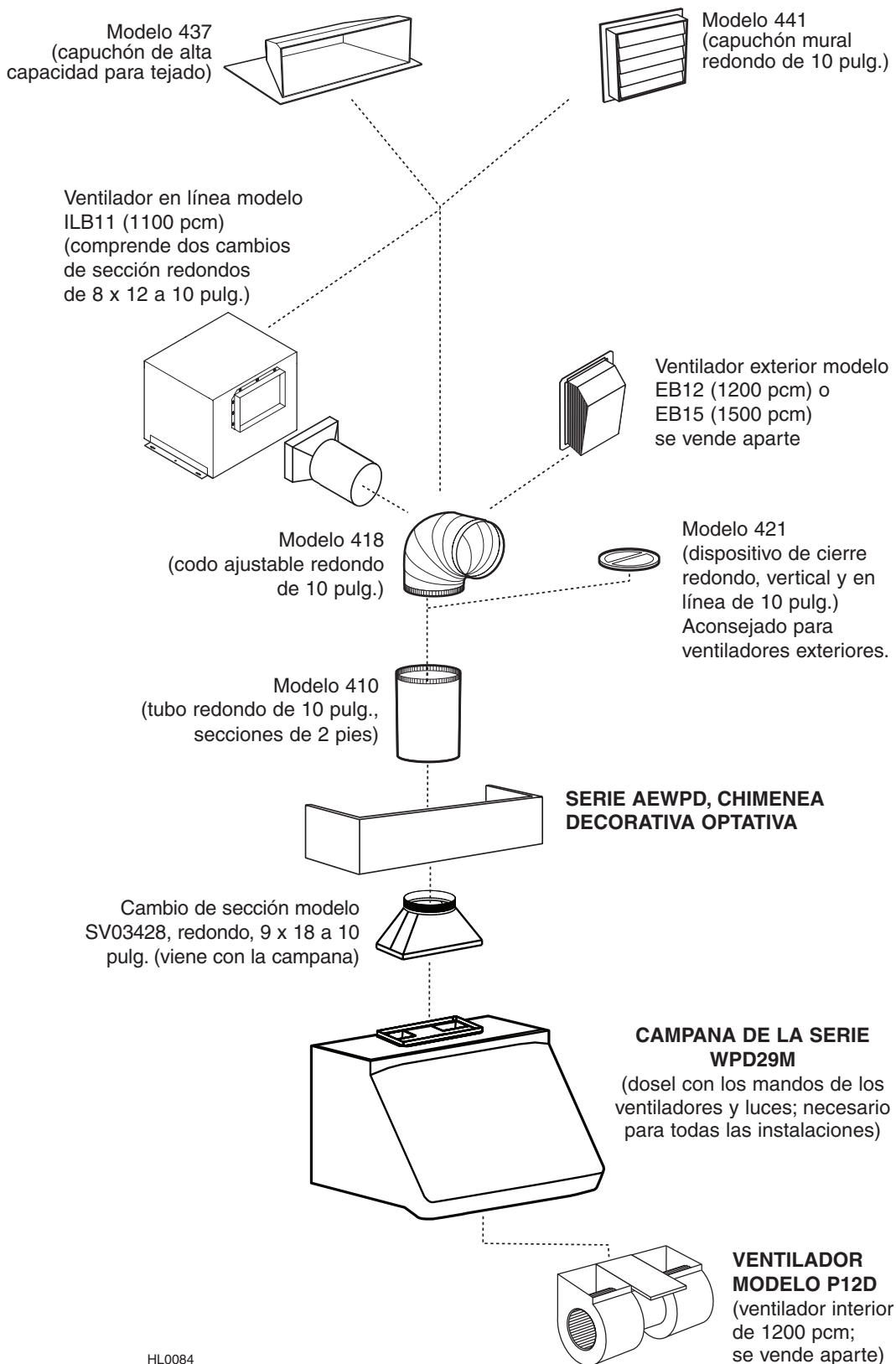
1. SOFOQUE LAS LLAMAS con una tapa ajustada, una hoja o bandeja metálica para hornear galletas, y apague luego el quemador. TENGA CUIDADO PARA EVITAR QUEMADURAS. SI LAS LLAMAS NO SE APAGAN INMEDIATAMENTE, EVACUE EL LUGAR Y LLAME A LOS BOMBEROS.
2. NO SUJETE NUNCA UN RECIPIENTE EN LLAMAS ya que podría quemarse.
3. NO USE AGUA, ni trapos o toallas húmedas. Podría causar una violenta explosión de vapor.
4. Utilice un extintor SOLAMENTE si:
 - A. Tiene un extintor de tipo ABC y sabe usarlo.
 - B. El incendio es pequeño y está circunscrito a la zona donde empezó.
 - C. Ya ha llamado a los bomberos.
 - D. Puede tratar de apagar el fuego si dispone siempre de una salida detrás de usted.

*Fuente: "Kitchen Fire Safety Tips" publicado por la NFPA.

PRECAUCIÓN

1. Sólo para ventilación general. No debe utilizarse para extraer materiales o vapores peligrosos o explosivos.
2. Para evitar daños en el cojinete del motor y que las hélices hagan ruido o se desequilibren, mantenga la unidad de alimentación lejos de los vaporizadores de pirca, del polvo de la construcción, etc.
3. El motor de la campana tiene un dispositivo contra sobrecargas térmicas que apaga el motor automáticamente si éste se sobrecalienta. El motor volverá a ponerse en marcha cuando se enfríe. Si el motor sigue apagándose y encendiéndose, haga examinar la campana.
4. Para que la campana capte mejor las impurezas que se desprenden al cocinar, la base de la campana ha de estar a una distancia mínima de 30 pulgadas y a una máxima de 36 pulgadas con respecto a la superficie sobre la que se cocina.
5. Dado el tamaño y el peso de esta campana, se aconsejan dos personas para instalarla.
6. Para reducir los riesgos de incendio y extraer el aire debidamente, el aire debe evacuarse fuera. No extraiga el aire a espacios situados entre las paredes, en el techo o en el desván, falso techo o garaje.
7. Este producto está equipado con un termostato que puede poner en marcha el ventilador automáticamente. Para reducir el riesgo de que se produzcan daños y evitar poner en marcha la alimentación accidentalmente, apague la corriente en el tablero de servicio, bloquee este tablero o ponga una etiqueta de advertencia.
8. Para reducir el riesgo de incendio y de choque eléctrico, la campana de la serie WPD29M de Best by Broan debe instalarse únicamente con el ventilador impelente interior P12D de Best by Broan, los modelos de ventiladores exteriores EB12 o EB15 de Best by Broan, y el modelo ILB11 de ventilador en línea de Best by Broan. No deben utilizarse otros ventiladores. Los ventiladores impelentes se venden aparte.
9. Para mayor información y conocer los requisitos, lea la etiqueta con las especificaciones en el producto.

- CAMPANAS DE COCINA DE LA SERIE WPD29M -



HL0084

1. PREPARACIÓN DE LA UBICACIÓN DE LA CAMPANA Y SELECCIÓN DEL TIPO DE INSTALACIÓN

Esta campana de extracción ha sido diseñada para utilizarse con cocinas exteriores de gas o eléctricas cuando se utilizan en patio o terraza cubierta. Como todos los aparatos eléctricos, esta campana ha de protegerse todo lo posible de las inclemencias del tiempo.

⚠ ADVERTENCIA

Este aparato no está pensado para utilizarse con una parrilla de carbón.

Esta campana puede emplearse con un ventilador impelente interior, exterior o en línea. La serie WPD29M de Best by Broan sólo debe instalarse con los modelos P12D, ILB11, EB12 o EB15. No deben utilizarse otros ventiladores. Los ventiladores impelentes se venden aparte. Planifique el lugar y la forma en que se instalarán los tubos.

Si instala el ventilador en línea ILB11, deseche la placa del ventilador. Consulte las instrucciones que vienen con el ventilador y siga las etapas 1 a 6, 8, 9, 10, 11, 13 y siguientes de este manual.

Instale tubos, codos y tapas de techo y murales de acero galvanizado redondos de 10 pulgadas para el tipo de ventilador que haya elegido. Utilice cinta para tubos metálicos para obturar las juntas.

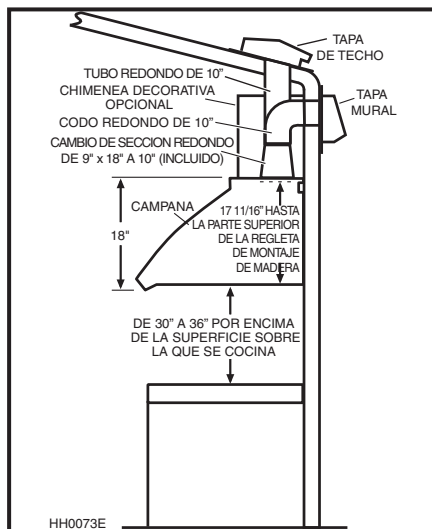
Para que la campana capte mejor las impurezas que se desprenden al cocinar, la superficie sobre la que se cocina debe estar a una distancia no inferior a 30 pulgadas. Se aconseja una distancia máxima de 36 pulgadas con respecto a la superficie sobre la que se cocina.

Las distancias de más de 36 pulgadas quedan a discreción del instalador y de los usuarios.

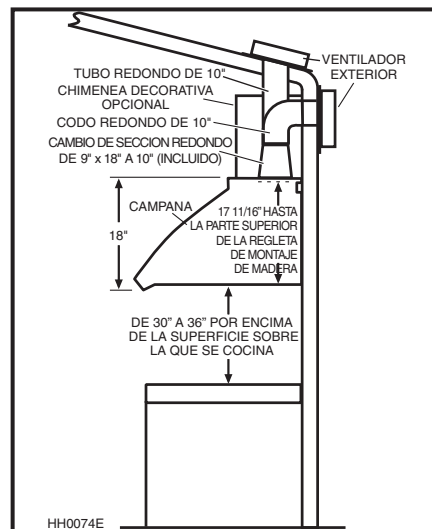
Lleve el cable de alimentación hasta el lugar de la instalación.

⚠ ADVERTENCIA

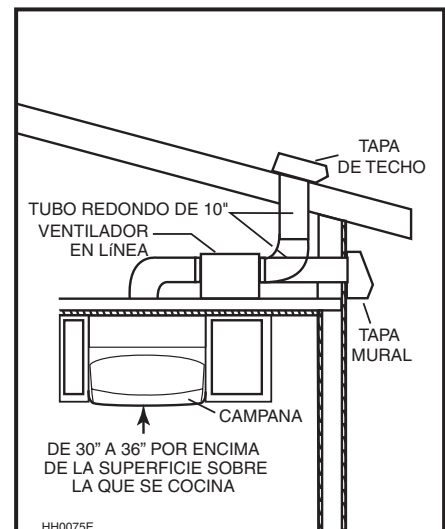
El cable de alimentación debe ser un circuito de derivación protegido con un disyuntor.



**INSTALACIÓN HABITUAL DEL
VENTILADOR DOBLE INTERIOR
MODELO P12D**



**INSTALACIÓN HABITUAL DEL
VENTILADOR EXTERIOR MODELO
EB12 O EB15**



**INSTALACIÓN HABITUAL DEL
VENTILADOR EN LÍNEA
MODELO ILB11**

2. PREPARACIÓN DE LA INSTALACIÓN

PRECAUCIÓN

Se aconseja llevar lentes y guantes de seguridad para instalar, reparar o limpiar la campana.

Retire el conjunto para la instalación del interior de la campana.

Compruebe que el conjunto para la instalación contiene los elementos siguientes:

- Regleta de madera para el montaje (atornillada en la parte trasera de la campana)
- Manual de instalación
- Cambio de sección (9" x 18" a 10")
- Accesorios:
 - Placas de filtro (3)
 - Lámparas halógenas (base de tipo GU10, 120 V, 50 W) (4 para una campana de 42" de ancho, 6 para una campana de 54" de ancho)
 - Bolsa con las piezas siguientes:
 - (3) conectadores de hilo impermeables, (2) abrazaderas para hilos, (4) tornillos de cabeza plana n.º 10 de 2", (8) tornillos n.º 8 x 5/8", (8) tornillos n.º 8 x 3/8", (2) dispositivos de sujeción mural, (2) arandelas de 3/16" de diámetro interior x 3/4" de diámetro exterior

Piezas vendidas aparte:

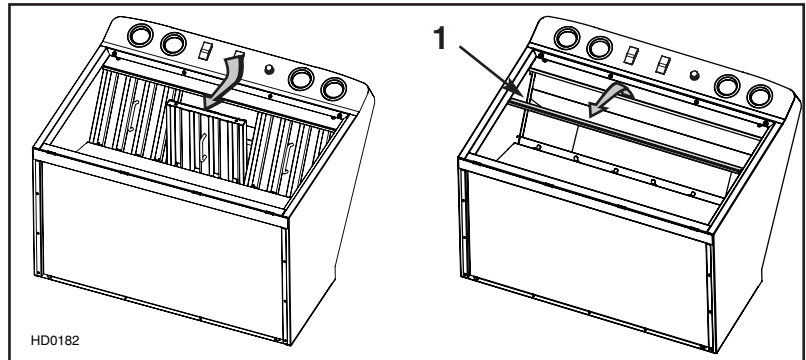
- Ventilador interior modelo P12D.
- Conjunto de ventilador en línea ILB11 (incluye cambio de sección y placa del ventilador; deseche la placa del ventilador).
- Conjunto de ventilador exterior EB12 o EB15 (ambos incluyen placa del ventilador; deseche la placa del ventilador).
- Tubos, codos, dispositivos de cierre, capuchones murales y para el techo. Consulte en la página 27 la lista completa de opciones de ventilación y los números de modelo.
- Chimenea decorativa opcional, serie AEWPD.

3. DESMONTAJE DE LOS FILTROS Y DEL RIEL DE VERTIDO DE LA GRASA

- A. Retire la cinta de los filtros.
Saque los filtros de la campana y póngalos aparte.
NOTA: Se aconseja empezar por el filtro central.

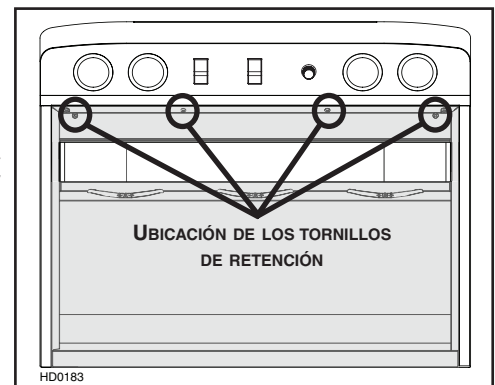
- B. Retire la cinta del riel de vertido de la grasa (1).
Saque el riel y póngalo aparte.

NOTA: Cuando se haya quitado la cinta en la posición que se muestra en la ilustración, el riel caerá probablemente debido a la gravedad.



4. DESMONTAJE DE LA PLACA

Utilice un destornillador Phillips n.º 2 para retirar los tornillos que sujetan la placa (parte sombreada de la ilustración de al lado) a la campana. Retire el tablero y póngalo a un lado.



5. DESMONTAJE DEL CAMBIO DE SECCIÓN

Utilice un destornillador Phillips n.º 2 para retirar los tornillos y arandelas que sujetan el cambio de sección a la campana. Deséchelos. Retire el cambio de sección y la regleta de madera (en la parte trasera de la campana) y póngalos a un lado.

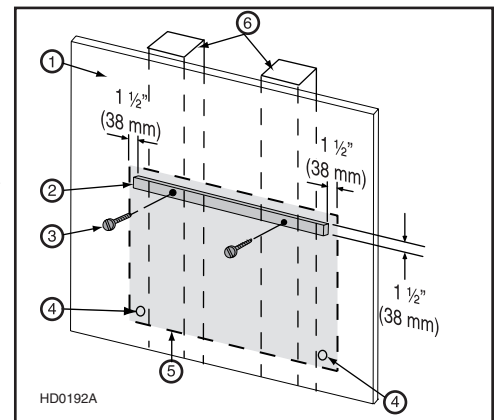


6. INSTALACIÓN DE LA REGLETA DE MADERA

Mida y marque una línea a nivel en la pared por encima de la superficie de cocción para la regleta de montaje (véase la ilustración de la página 28). Centre la regleta de montaje con respecto al lugar de la instalación. Fíjese en la ilustración de al lado. Utilice los tornillos de cabeza plana n.º 10 de 2 pulgadas para sujetar la regleta de montaje en el panel mural. Procure fijarla a los postes murales.

PRECAUCIÓN

Dado el peso de esta campana, compruebe que la regleta de montaje esté sujeta a todos los postes murales disponibles y no sólo al panel mural.



1. Pared
2. Tira de madera
3. Tornillos de cabeza avellanar

4. Localización de las anclas de la pared
5. Atrás de la campana
6. Travesaños

7. SELECCIÓN DEL TIPO DE VENTILADOR (EXTERIOR O INTERIOR)

VENTILADOR INTERIOR: Siga todas las etapas siguientes de este manual.

VENTILADOR EXTERIOR: Deseche la placa del ventilador exterior. Consulte las instrucciones que vienen con el ventilador exterior y siga las etapas 8 a 11, 13 y posteriores de este manual.

8. CONEXIÓN DE LOS HILOS

⚠ ADVERTENCIA

Riesgo de choque eléctrico. La conexión eléctrica debe hacerla personal competente con arreglo a los códigos y normas en vigor. Antes de conectar los hilos, corte la alimentación en el tablero de servicio y bloquee los medios de desconexión para impedir que la corriente se conecte accidentalmente.

TODAS LAS INSTALACIONES:

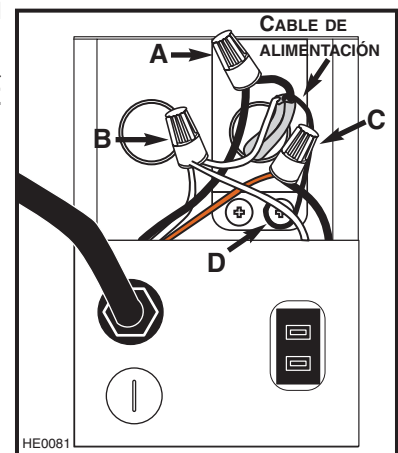
Retire la tapa de la caja de conexiones de la campana. Instale abrazaderas para hilos en la parte trasera de la campana. Coloque la campana debajo de su futura ubicación.

NOTA: El agujero del cable de alimentación ya está listo. Perfore el otro orificio ciego únicamente si va a instalar un ventilador exterior o en línea.

8.1 VENTILADOR INTERIOR:

Pase el cable de alimentación a través de la abrazadera en la caja de conexiones y apriete la abrazadera para sujetar el cable. Deseche el conector de hilos que une el hilo NEGRO y el BLANCO de la caja de conexiones. Conecte el cable de alimentación en la caja de conexiones con los conectores de hilos impermeables provistos.

Conecte los hilos de la siguiente manera: el hilo NEGRO del cable de alimentación con el hilo NEGRO del tablero de control de la campana (A), todos los hilos BLANCOS juntos (B), el hilo NEGRO de la caja de conexiones con el hilo NARANJA del tablero de control de la campana (C), y el hilo VERDE o DESNUDO debajo del tornillo de tierra (D). **NO OLVIDE CONECTAR LA PUESTA A TIERRA.** Vuelva a instalar la tapa de la caja de conexiones.



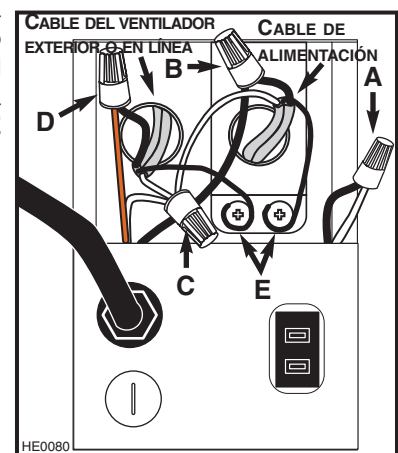
INSTRUCCIONES PARA LOS CONECTORES DE HILOS IMPERMEABLES:

1. Pele 3/8 de pulg. de los hilos.
2. Junte las puntas peladas o conductores.
3. No las retuerza. Coloque los hilos pelados juntos, con los extremos a la misma altura. Si la parte pelada de uno de los hilos es más corta que la del otro, ponga ese hilo más alto.
4. Gire el conector sobre los hilos empujando firmemente hasta que quede bien apretado. NO apriete demasiado.
5. Al introducir los hilos en los conectores, puede que salgan restos de un producto para la obturación. Limpie el sobrante de este producto alrededor de los conductores. NO VUELVA A UTILIZAR LOS CONECTORES.

8.2 VENTILADOR EXTERIOR O EN LÍNEA:

Pase el cable de alimentación y el cable del ventilador exterior o en línea a través de las abrazaderas para hilos en la caja de conexiones y apriete las abrazaderas para sujetar los cables. NO RETIRE el conector de hilos que une el hilo NEGRO y el BLANCO de la caja de conexiones (A).

Utilice los conectores de hilos impermeables provistos para conectar los hilos de la siguiente manera: el hilo NEGRO del cable de alimentación con el hilo NEGRO del tablero de control de la campana (B), todos los hilos BLANCOS juntos (C), el hilo NEGRO del ventilador exterior o en línea con el hilo NARANJA del tablero de control de la campana (D), y los hilos VERDES o PELADOS debajo de los tornillos de tierra (E). **NO OLVIDE CONECTAR LA PUESTA A TIERRA.** Vuelva a instalar la tapa de la caja de conexiones.

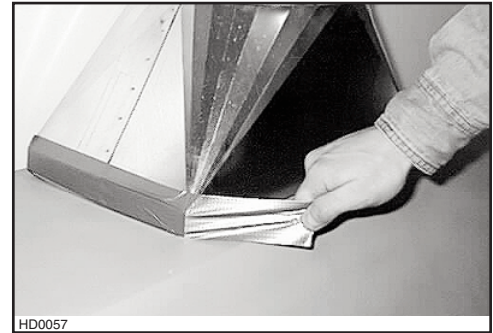


INSTRUCCIONES PARA LOS CONECTORES DE HILOS IMPERMEABLES:

1. Pele 3/8 de pulg. de los hilos.
2. Junte las puntas peladas o conductores.
3. No las retuerza. Coloque los hilos pelados juntos, con los extremos a la misma altura. Si la parte pelada de uno de los hilos es más corta que la del otro, ponga ese hilo más alto.
4. Gire el conector sobre los hilos empujando firmemente hasta que quede bien apretado. NO apriete demasiado.
5. Al introducir los hilos en los conectores, puede que salgan restos de un producto para la obturación. Limpie el sobrante de este producto alrededor de los conductores. NO VUELVA A UTILIZAR LOS CONECTORES.

9. INSTALACIÓN DEL CAMBIO DE SECCIÓN

Coloque el cambio de sección provisto en la parte superior de la campana. Utilice cinta para tubos de metal para sujetar el cambio de sección y obturar las juntas.



10. INSTALACIÓN DE LA CHIMENEA DECORATIVA

CHIMENEA DECORATIVA OPCIONAL, SERIE AEWPD

Consulte las instrucciones que vienen con la chimenea decorativa opcional.

PRECAUCIÓN

Si la chimenea decorativa se instala en un lugar donde haya agua salada (p. ej., la costa), enjuague todas las superficies una vez por semana con agua limpia (aunque no se haya usado la campana), y séquelas completamente con un trapo.

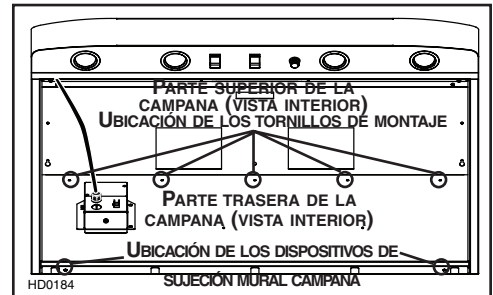
11. INSTALACIÓN DE LA CAMPANA

Coloque el hueco superior trasero de la campana sobre la regleta de montaje de madera.

PRECAUCIÓN

Sujete la campana hasta que esté totalmente asentada contra la regleta de montaje.

Una el cambio de sección con el tubo redondo de 10". Sujete la campana a la regleta de montaje colocando los 5 tornillos provistos en los lugares que se muestran. Perfore 2 agujeros de 3/16" en el panel mural para los dispositivos de sujeción mural a través de los agujeros ya hechos en los lugares que se muestran en la parte trasera interior de la campana. A continuación, instale los 2 dispositivos de sujeción mural con los demás tornillos n.º 8 x 3/4" y las 2 arandelas provistas.

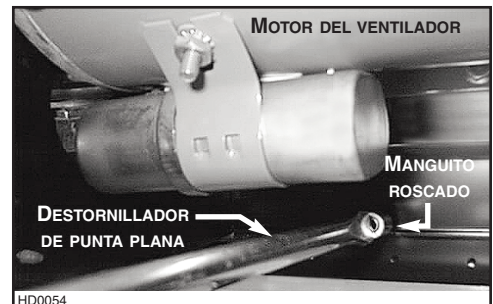
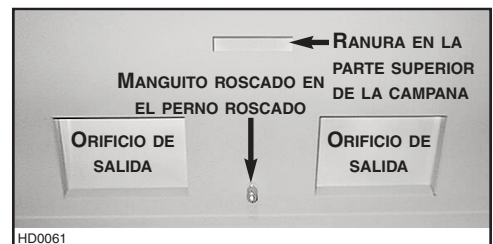


12. INSTALACIÓN DEL VENTILADOR (VENTILADOR INTERIOR ÚNICAMENTE)

Coloque el manguito roscado (viene en el paquete del ventilador) en la mitad aproximadamente del perno roscado en la parte superior de la campana.

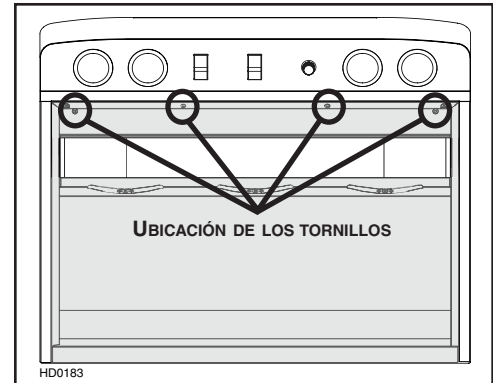
Levante el ventilador a la parte superior interior de la campana. Eche hacia atrás el ventilador hasta que la pestaña encaje en la ranura de la parte superior de la campana y la ranura del ventilador encaje con el manguito roscado.

Utilice un destornillador largo de punta plana para apretar bien el manguito roscado. Conecte el motor en el enchufe, en la parte exterior de la caja de conexiones.



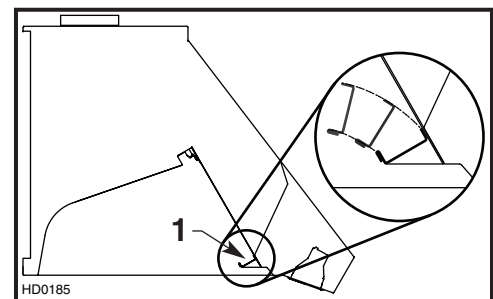
13. REINSTALACIÓN DE LA PLACA

Utilice un destornillador Phillips n.º 2 y los tornillos para instalar la placa que quitó en la etapa 5 en el interior de la campana (pieza sombreada de la ilustración de al lado).



14. REINSTALACIÓN DEL RIEL DE VERTIDO DE LA GRASA Y DE LOS FILTROS

Vuelva a instalar el riel de vertido de la grasa (1). La ilustración de al lado muestra la forma de colocar el riel en la campana.



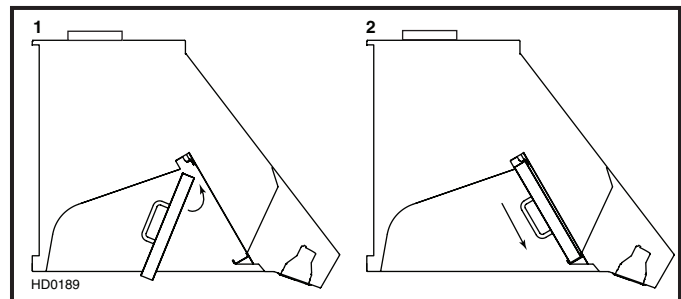
PRECAUCIÓN

Antes de instalar los filtros, retire la película de plástico que los protege.

Se aconseja instalar primero los filtros laterales y terminar con el filtro central..

1. Introduzca un extremo de la placa de filtro en la acanaladura superior de la campana.
2. Levante el otro extremo hacia la parte interior de la campana e introdúzcalo en el riel de vertido de la grasa de la campana.

Su distribuidor puede proporcionarle filtros de recambio. Vea la etiqueta dentro de la campana para informarse del tamaño y del número de la pieza.



15. SUSTITUCIÓN DE LAS BOMBILLAS

⚠ ADVERTENCIA

Para prevenir el riesgo de lesiones corporales, no instale bombillas identificadas sólo para uso en dispositivos encerrados.

Esta campana debe utilizar bombillas halógenas protegidas de tipo MR16, de 120 V y 50 W con base GU10 o PAR16 con base GU10 (incluidas).

⚠ ADVERTENCIA

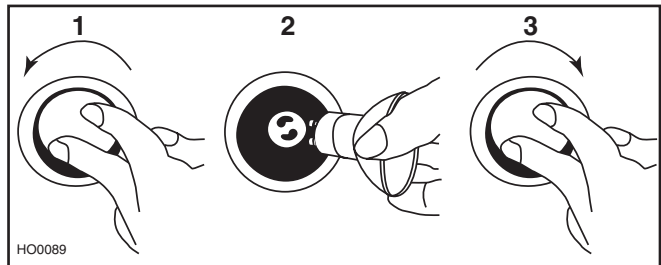
Para prevenir el riesgo de lesiones corporales, deje que las bombillas halógenas se enfríen antes de quitarlas.

1. Para quitar las bombillas, empuje suavemente hacia arriba y gire en sentido antihorario para liberar el casquillo de sus ranuras.

NOTA: De ser necesario, utilice un guante de caucho para lavar los platos para sujetar mejor la bombilla y sacarla.

2. Instale las bombillas nuevas colocando los casquillos de las bombillas en sus ranuras, en los portalámparas.

3. Empuje suavemente hacia arriba y gire al mismo tiempo en el sentido horario hasta que queden bien afianzadas.



16. USO Y CUIDADO

Filtros

Los filtros deben limpiarse con frecuencia. Utilice una disolución de detergente con agua templada. Lávelos con mayor frecuencia si su tipo de cocina genera más grasa (alimentos fritos o cocina con wok).

Retire los filtros empujándolos hacia la parte trasera de la campana y girándolos hacia abajo. Las placas de los filtros pueden lavarse en el lavavajillas. Deje que los filtros sequen completamente antes de volver a instalarlos en la campana.

Riel de vertido de la grasa

El riel debe limpiarse con frecuencia. Sáquelo de la campana y límpielo con una disolución de detergente con agua. Lávelo con mayor frecuencia si su tipo de cocina genera más grasa (alimentos fritos o cocina con wok). Deje que el riel seque completamente antes de volver a instalarlo en la campana.

Limpieza del ventilador

Retire los filtros para tener acceso al ventilador. Limpie el ventilador con un aspirador. No lo sumerja en agua. Consulte el manual de instrucciones del ventilador para mayor información.

Limpieza de la campana

Limpieza del acero inoxidable: Para que la campana siga teniendo un "ASPECTO BRILLANTE":

PRECAUCIÓN

Si la campana se instala en un lugar donde haya agua salada (p. ej., la costa), enjuague todas las superficies una vez por semana con agua limpia (aunque no se haya usado la campana), y séquelas completamente con un trapo.

Debe hacerse:

- Limpiar regularmente las superficies con un trapo limpio humedecido con una mezcla de agua templada y jabón suave o detergente para la vajilla.
- Limpiar siempre en la dirección de las líneas originales de pulido del acero.
- Enjuagar siempre con agua limpia (2 o 3 veces) después de limpiar. Seque completamente.
- También puede utilizar un limpiador doméstico especial para acero inoxidable.

No debe hacerse:

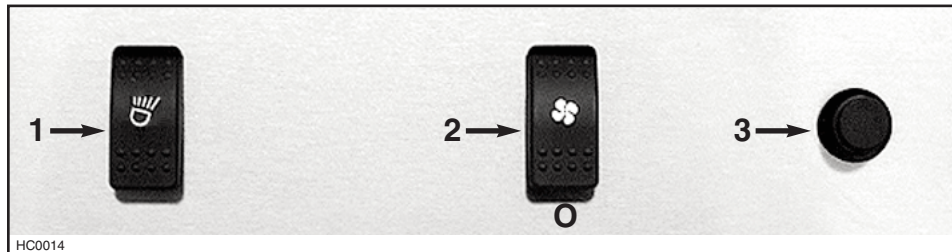
- Utilizar un estropajo de acero o acero inoxidable u otro tipo de rasquetas para quitar la suciedad resistente.
- Utilizar limpiadores fuertes o abrasivos.
- Dejar que la suciedad se acumule.
- Dejar que el polvo del yeso u otros residuos de la construcción manchen la campana. Si efectúa obras de construcción o renovación, cubra la campana para que no se manche la superficie de acero inoxidable.

Al escoger un detergente, evite:

- Los limpiadores que contienen **blanqueador** (lejía), ya que dañarán el acero inoxidable.
- Los productos que contengan **cloruro**, **fluoruro**, **yoduro** y **bromuro**, ya que deterioran las superficies rápidamente.
- Los productos combustibles que se emplean para la limpieza, como **acetona**, **alcohol**, **éter**, **benzol**, etc., ya que son altamente explosivos y nunca deberían estar cerca de una cocina.

17. FUNCIONAMIENTO

La campana funciona con tres mandos situados bajo el borde delantero de la campana.



1. Interruptor de las luces
2. Interruptor de encendido y apagado del ventilador
3. Control de la velocidad del ventilador

Interruptor de las luces

El interruptor de las luces permite encender y apagar las luces.

Utilice bombillas halógenas protegidas de tipo MR16, de 120 V y 50 W con base GU10 o PAR16 con base GU10 (incluidas).

Interruptor de encendido y apagado del ventilador

El ventilador funciona con dos mandos.

Utilice el interruptor de encendido y apagado para poner en marcha el ventilador a la velocidad que haya seleccionado con el control de velocidad (número 3 de la ilustración).

El ventilador se enciende y se apaga con este interruptor.

Control de la velocidad del ventilador

Gire el botón de control de la velocidad en sentido antihorario para aumentar la velocidad del ventilador y en sentido horario para disminuirla.

Termostato HEAT SENTRY

La campana viene equipada con un termostato HEAT SENTRY. Se trata de un dispositivo que acelera el ventilador cuando detecta un calor excesivo sobre la superficie sobre la que se cocina.

Si el ventilador está ENCENDIDO en una velocidad baja, el termostato lo pondrá en la velocidad ALTA.

Cuando la temperatura baje a un nivel normal, el ventilador volverá a su velocidad original.

Uso de la campana con un asador de gas cubierto

Al abrir la tapa de su asador de gas puede que note una reducción en la captura del humo y del vapor.

GARANTÍA

GARANTÍA BROAN DE UN AÑO

Broan garantiza al comprador original de sus productos que éstos carecen de defectos en los materiales o de mano de obra por un período de un año a partir de la fecha de compra original. NO EXISTEN OTRAS GARANTÍAS, EXPRESAS O IMPLÍCITAS, INCLUYENDO —AUNQUE SIN LIMITARSE A ÉLLAS— LAS GARANTÍAS IMPLÍCITAS, DE APTITUD O IDONEIDAD PARA UN PROPÓSITO PARTICULAR.

Durante el período de un año, y a su propio criterio, Broan reparará o reemplazará sin costo todo producto o pieza que se considere defectuoso en condiciones normales de servicio y uso.

Esta garantía no cubre: a) el mantenimiento y servicios normales ni b) ningún producto o pieza mal utilizados o que hayan sido objeto de negligencia, accidente, mantenimiento o reparación inadecuados (por compañías distintas a Broan), instalación defectuosa, o instalación no conforme a las instrucciones de instalación recomendadas.

La duración de cualquier garantía implícita se limita a un período de un año, como se indica en la garantía expresa. Algunos estados o provincias no permiten limitaciones en cuanto al tiempo de expiración de una garantía implícita, por lo que la limitación antes mencionada puede que no se aplique en su caso.

LA OBLIGACIÓN DE BROAN DE REPARAR O REEMPLAZAR, CON ARREGLO A SU PROPIO CRITERIO, SERÁ EL ÚNICO RECURSO LEGAL DEL COMPRADOR CONFORME A ESTA GARANTÍA. BROAN NO SE HACE RESPONSABLE DE LOS DAÑOS ADICIONALES, CONSECUENTES O ESPECIALES QUE SURJAN O ESTÉN RELACIONADOS CON EL USO O EL RENDIMIENTO DEL PRODUCTO. Algunos estados o provincias no permiten la exclusión o limitación de daños adicionales o consecuentes, por lo que la limitación o exclusión antes mencionada puede que no se aplique en su caso.

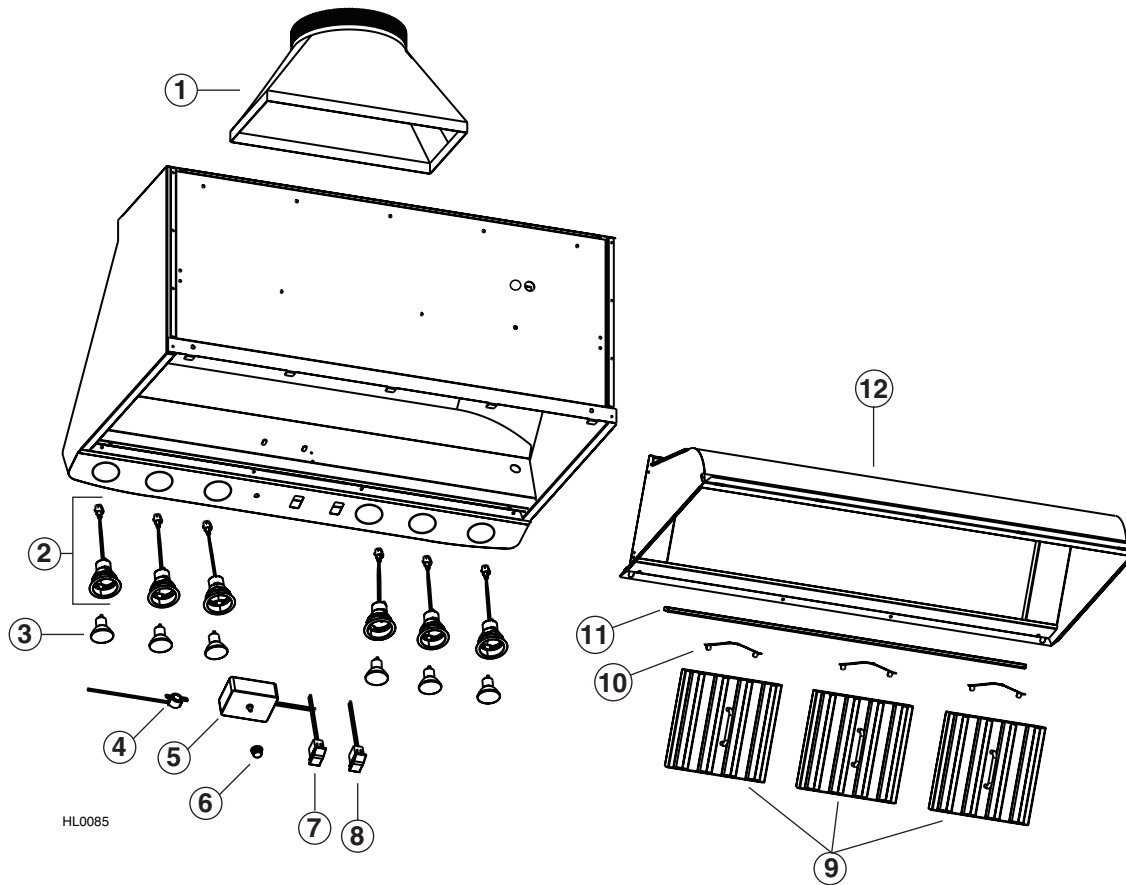
Esta garantía le proporciona derechos legales específicos, aunque usted también puede tener otros derechos, que varían de un estado a otro, o de una provincia a otra. Cualquier modificación hecha en este producto sin la autorización de Broan anulará esta garantía. Esta garantía reemplaza todas las garantías anteriores.

Para tener derecho al servicio de garantía, debe usted: a) Informar a Broan, en una de las direcciones o teléfonos que aparecen abajo; b) Dar el número de modelo y el número de identificación de la pieza y c) Describir el tipo de defecto en el producto o pieza. En el momento de solicitar un servicio cubierto por la garantía, deberá presentar una prueba de la fecha de compra original.

Best by Broan®, P.O. Box 140, Hartford, WI 53027 USA (1-800-637-1453)

Best by Broan®, 550 Lemire Blvd., Drummondville, QC J2C 7W9 CANADA (1-866-737-7770)

PIEZAS



HL0085

MODELO WPD29M

N.º	N.º DE PIEZA	DESCRIPCIÓN	CID(ANCHURACAMPANA)	
			42"	54"
1	V03428	CAMBIO DE SECCIÓN 9" x 18" x 10" REDONDO	1	1
2	V16765	CONJUNTO DE LA LÁMPARA GU-10	4	6
3	V05921	BOMBILLAS HALÓGENAS (50 W, 120 V, PAR16, GU-10)	4	6
4	V06497	TERMOSTATO HEAT SENTRY	1	1
5	V06364	CONTROL GIRATORIO DE LA VELOCIDAD	1	1
6	V03504	BOTÓN DE CONTROL DE LA VELOCIDAD DEL VENTILADOR	1	1
7	V06495	INTERRUPTOR DE LAS LUCES	1	1
8	V06496	INTERRUPTOR DEL VENTILADOR	1	1
9	V16939	FILTROS 8,95" x 8,61" x 1"	2	-
	V16940	FILTROS 14,95" x 8,61" x 1"	1	3
10	V15432	CLIP DEL FILTRO	3	3
	V16958	RIEL DE VERTIDO DE LA GRASA 36", SS316	1	-
11	V16964	RIEL DE VERTIDO DE LA GRASA 48", SS316	-	1
	V16996	ESTRUCTURA INTERIOR (42" x 24" x 18") (INCLUYE EL ÍTEM 10)	1	-
	V16997	ESTRUCTURA INTERIOR (54" x 24" x 18") (INCLUYE EL ÍTEM 10)	-	1
*	V07697	GUÍA DE INSTALACIÓN	1	1
		BOLSA CON PIEZAS (CONECTORES DE HILOS IMPERMEABLES (3), ABRAZADERAS DE HILOS LP16-AP (2), TORNILLOS N.º8 x 5/8" (8), TORNILLOS N.º8 x 3/8" (8), TORNILLOS DE CABEZA PLANA N.º 10 x 2" (4), DISPOSITIVOS DE SUECIÓN MURAL (2), ARANDELAS 3/16" DI x 3/4" DE (2))		
*	V04216		1	1
*	V05869	LOGOTIPO DE BEST BY BROAN	1	1
*	V06933	CABLEADO ELÉCTRICO	1	1

*ESTE COMPONENTE NO SE MUESTRA.

Free Manuals Download Website

<http://myh66.com>

<http://usermanuals.us>

<http://www.somanuals.com>

<http://www.4manuals.cc>

<http://www.manual-lib.com>

<http://www.404manual.com>

<http://www.luxmanual.com>

<http://aubethermostatmanual.com>

Golf course search by state

<http://golfingnear.com>

Email search by domain

<http://emailbydomain.com>

Auto manuals search

<http://auto.somanuals.com>

TV manuals search

<http://tv.somanuals.com>