

BOSTITCH®

EHF1838K & LHF2025K ENGINEERED FLOORING STAPLERS ENGRAPADORAS PARA DUELA DE INGENIERÍA AGRAFEUSES À PLANCHER PROFESSIONNELLES



OPERATION and MAINTENANCE MANUAL MANUAL DE OPERACIÓN Y DE MANTENIMIENTO MANUEL D'INSTRUCTIONS ET D'ENTRETIEN

⚠ WARNING:

⚠ ADVERTENCIA:

⚠ ATTENTION:

BEFORE OPERATING THIS TOOL, ALL OPERATORS SHOULD STUDY THIS MANUAL TO UNDERSTAND AND FOLLOW THE SAFETY WARNINGS AND INSTRUCTIONS. KEEP THESE INSTRUCTIONS WITH THE TOOL FOR FUTURE REFERENCE. IF YOU HAVE ANY QUESTIONS, CONTACT YOUR BOSTITCH REPRESENTATIVE OR DISTRIBUTOR.

ANTES DE OPERAR ESTA HERRAMIENTA, TODOS LOS OPERADORES DEBERÁN ESTUDIAR ESTE MANUAL PARA PODER COMPRENDER Y SEGUIR LAS ADVERTENCIAS SOBRE SEGURIDAD Y LAS INSTRUCCIONES. MANTENGA ESTAS INSTRUCCIONES CON LA HERRAMIENTA PARA FUTURA REFERENCIA, SI TIENE ALGUNA DUDA, COMUNÍQUESE CON SU REPRESENTANTE DE BOSTITCH O CON SU DISTRIBUIDOR.

LIRE ATTENTIVEMENT LE PRÉSENT MANUEL AVANT D'UTILISER L'APPAREIL. PRÊTER UNE ATTENTION TOUTE PARTICULIÈRE AUX CONSIGNES DE SÉCURITÉ ET AUX AVERTISSEMENTS. GARDER CE MANUEL AVEC L'OUTIL POUR FUTUR RÉFÉRENCE. SI VOUS AVEZ DES QUESTIONS, CONTACTEZ VOTRE REPRÉSENTANT OU VOTRE CONCESSIONNAIRE BOSTITCH.

BOSTITCH®
STANLEY FASTENING SYSTEMS L.P.

189854REVA 11/09

INTRODUCTION

The Bostitch EHF1838K & LHF2025K are precision-built tools, designed for high speed, high volume fastening. These tools will deliver efficient, dependable service when used correctly and with care. As with any fine power tool, for best performance the manufacturer's instructions must be followed. Please study this manual before operating the tool and understand the safety warnings and cautions. The instructions on installation, operation and maintenance should be read carefully, and the manuals kept for reference. NOTE: Additional safety measures may be required because of your particular application of the tool. Contact your Bostitch representative or distributor with any questions concerning the tool and its use. Bostitch, Inc., East Greenwich, Rhode Island 02818.

INDEX

Safety Instructions	3
Tool Components	4
Tool/Fastener Specifications	5
Air Supply and Connections.	6
Loading the Tool.	7
Tool Operation	8
Tool Operation Check.	9
Maintaining the Pneumatic Tool	9
Troubleshooting	10
Maintenance Checklist	11
Other Bostitch Flooring Products.	12

NOTE:

Bostitch tools have been engineered to provide excellent customer satisfaction and are designed to achieve maximum performance when used with precision Bostitch fasteners engineered to the same exacting standards. ***Bostitch cannot assume responsibility for product performance if our tools are used with fasteners or accessories not meeting the specific requirements established for genuine Bostitch nails, staples and accessories.***



LIMITED WARRANTY – U.S. and Canada Only

Effective December 1, 2005 Bostitch, L.P. warrants to the original retail purchaser that the product purchased is free from defects in material and workmanship, and agrees to repair or replace, at Bostitch's option, any defective Bostitch branded pneumatic stapler or nailer for a period of seven (7) years from date of purchase (one (1) year from the date of purchase for compressors and tools used in production applications). Warranty is not transferable. Proof of purchase date required. This warranty covers only damage resulting from defects in material or workmanship; it does not cover conditions or malfunctions resulting from normal wear, neglect, abuse, accident or repairs attempted or made by other than our national repair center or authorized warranty service centers. Driver blades, bumpers, o-rings, pistons and piston rings are considered normally wearing parts. For optimal performance of your Bostitch tool always use genuine Bostitch fasteners and replacement parts.

THIS WARRANTY IS IN LIEU OF ALL OTHER WARRANTIES, EXPRESS OR IMPLIED, INCLUDING BUT NOT LIMITED TO THE IMPLIED WARRANTIES OF MERCHANTABILITY OR FITNESS FOR A PARTICULAR PURPOSE. BOSTITCH SHALL NOT BE LIABLE FOR ANY INCIDENTAL OR CONSEQUENTIAL DAMAGES.

Some states and countries do not allow limitations on how long an implied warranty lasts, or the exclusion or limitation of incidental or consequential damages, so the above limitations or exclusions may not apply to you. This warranty gives you specific legal rights, and you may also have other rights which vary from state to state and country to country.

To obtain warranty service in the U.S. return the product, together with proof of purchase, to the U.S. Bostitch National or Regional Independent Authorized Warranty Service Center. In the U.S. you may call us at 1-800-556-6696 or visit www.BOSTITCH.com for the location most convenient for you. In Canada please call us at 800-567-7705 or visit www.BOSTITCH.com

SAFETY INSTRUCTIONS

WARNING: **EYE PROTECTION** which conforms to ANSI specifications and provides protection against flying particles both from the **FRONT** and **SIDE** should **ALWAYS** be worn by the operator and others in the work area when connecting to air supply, loading, operating or servicing this tool. Eye protection is required to guard against flying fasteners and debris, which could cause severe eye injury.



The employer and/or user must ensure that proper eye protection is worn. Eye protection equipment must conform to the requirements of the American National Standards Institute, ANSI Z87.1 and provide both frontal and side protection. **NOTE:** Non-side shielded spectacles and face shields alone do not provide adequate protection.

CAUTION: Additional Safety Protection will be required in some environments. For example, the working area may include exposure to noise level which can lead to hearing damage. The employer and user must ensure that any necessary hearing protection is provided and used by the operator and others in the work area. Some environments will require the use of head protection equipment. When required, the employer and user must ensure that head protection conforming to ANSI Z89.1 is used.

AIR SUPPLY AND CONNECTIONS

WARNING: Do not use oxygen, combustible gases, or bottled gases as a power source for this tool as tool may explode, possibly causing injury.

WARNING: Do not use supply sources which can potentially exceed 200 P.S.I.G. as tool may burst, possibly causing injury.

WARNING: The connector on the tool must not hold pressure when air supply is disconnected. If a wrong fitting is used, the tool can remain charged with air after disconnecting and thus will be able to drive a fastener even after the air line is disconnected possibly causing injury.

WARNING: Do not pull trigger or depress contact arm while connected to the air supply as the tool may cycle, possibly causing injury.

WARNING: Always disconnect air supply: 1.) Before making adjustments; 2.) When servicing the tool; 3.) When clearing a jam; 4.) When tool is not in use; 5.) When moving to a different work area, as accidental actuation may occur, possibly causing injury.

LOADING TOOL

WARNING: When loading tool: 1.) Never place a hand or any part of body in fastener discharge area of tool; 2.) Never point tool at anyone; 3.) Do not pull the trigger or depress the trip as accidental actuation may occur, possibly causing injury.

OPERATION

WARNING: Always handle the tool with care: 1.) Never engage in horseplay; 2.) Never pull the trigger unless nose is directed toward the work; 3.) Keep others a safe distance from the tool while tool is in operation as accidental actuation may occur, possibly causing injury.

WARNING: The operator must not hold the trigger pulled on contact arm tools except during fastening operation as serious injury could result if the trip accidentally contacted someone or something, causing the tool to cycle.

WARNING: Keep hands and body away from the discharge area of the tool. A contact arm tool may bounce from the recoil of driving a fastener and an unwanted second fastener may be driven possibly causing injury.

WARNING: Check operation of the contact arm mechanism frequently. Do not use the tool if the arm is not working correctly as accidental driving of a fastener may result. Do not interfere with the proper operation of the contact arm mechanism.

WARNING: Do not drive fasteners on top of other fasteners or with the tool at an overly steep angle as this may cause deflection of fasteners which could cause injury.

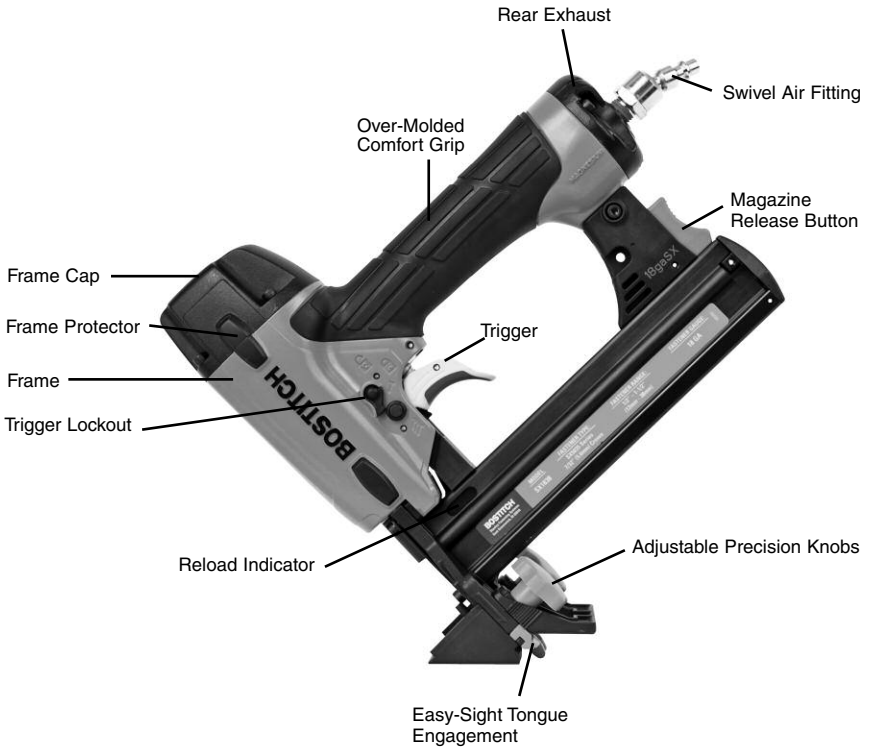
WARNING: Do not drive fasteners close to the edge of the work piece as the wood may split, allowing the fastener to be deflected possibly causing injury.

WARNING: This nailer produces SPARKS during operation. NEVER use the nailer near flammable substances, gases or vapors including lacquer, paint, benzene, thinner, gasoline, adhesives, mastics, glues or any other material that is -- or the vapors, fumes or by-products of which are -- flammable, combustible or explosive. Using the nailer in any such environment could cause an EXPLOSION resulting in personal injury or death to user and bystanders.

MAINTAINING THE TOOL

WARNING: When working on air tools note the warnings in this manual and use extra care when evaluating problem tools.

TOOL COMPONENTS



TOOL SPECIFICATIONS

All dimensions in inches unless otherwise specified.

	EHF1838K	LHF2025K
Description	18ga Flooring Stapler	20ga Flooring Stapler
Engine Type	Oil-Free	Oil-Free
Operation Pressure Range	70-120 PSI (4.9 to 8.43kg/cm ²)	70-120 PSI (4.9 to 8.43 kg/cm ²)
Maximum Operation Pressure	120 PSI (8.43 kg/cm ²)	120 PSI (8.43 kg/cm ²)
Fastener Type	SX5035 Series	SB97-1GLS
Fastener Gauge	18 Gauge	20 Gauge
Fastener Range	1" - 1-1/2" (25mm - 38mm)	1" (25mm)
Magazine Capacity	100	125
Length	9-1/4" (235mm)	9-1/4" (235mm)
Width	2-3/4" (69.9mm)	2-3/4" (69.9mm)
Height	9-7/8" (250.8mm)	8.5" (215.9mm)
Weight	3.47lbs. (1.57kg)	2.9lbs. (1.32kg)

Operating Pressure:

70 to 120 p.s.i.g. (4.9 to 8.43 kg/cm²). Select the operating pressure within in this range for best fastener performance.


DO NOT EXCEED THIS RECOMMENDED OPERATING PRESSURE.

Air Consumption:

The EHF1838K requires 1.94 cubic feet per minute or C.F.M. (54.93 liters per minute or LT/MIN) of free air at 80PSI (5.6 kg/cm²) to operate at a rate of 60 fasteners per minute. The LHF2025K requires 1.90 cubic feet per minute or C.F.M. (53.8 liters per minute or LT/MIN) of free air at 80PSI (5.6 kg/cm²) to operate at a rate of 60 fasteners per minute. To determine the appropriately sized air compressor, take the actual rate at which the tool will be run and compare the required C.F.M. (LT/MIN) to the compressors free air delivery (C.F.M./ LT/MIN) at 80 PSI (5.6 kg/cm²).

For example, if your fastener usage averages 30 fasteners per minute, you need 50% of the tools C.F.M. required to operate the tool at the rate of 60 fasteners per minute. In this case, be sure that your air compressor can deliver a minimum of 0.97 C.F.M. (27.47 LT/MIN) at 80 PSI (5.6 kg/cm²) for optimum performance.

FASTENER SPECIFICATIONS

Tool Model	Fastener Type	Fastener SKU	Crown Width	Gauge	Length
EHF1838K	 Staples	SX50351G	7/32"	18	1" (25mm)
		SX50351-1/8G	7/32"	18	1-1/8" (28mm)
		SX50351-3/16G	7/32"	18	1-3/16" (30mm)
		SX50351-1/4G	7/32"	18	1-1/4" (32mm)
		SX50351-3/8G	7/32"	18	1-3/8" (35mm)
		SX50351-1/2G	7/32"	18	1-1/2" (38mm)
LHF2025K	Staples	SB97-1GLS	3/16"	20	1" (25mm)

* Stainless steel fasteners also available in certain sizes. Visit www.BOSTITCH.com for further details.

NOTE:

BOSTITCH tools have been engineered to provide superior customer satisfaction and are designed to achieve maximum performance when used with precision BOSTITCH fasteners engineered to the same exacting standards. **BOSTITCH cannot assume responsibility for product performance if our tools are used with fasteners or accessories not meeting the specific requirements established for genuine BOSTITCH fasteners and accessories.**

AIR SUPPLY AND CONNECTIONS

⚠WARNING: *Do not use oxygen, combustible gases, or bottled gases as a power source for this tool as tool may explode, possibly causing injury.*

FITTINGS:

Install a male plug on the tool which is free flowing and which will release air pressure from the tool when disconnected from the supply source.

HOSES:

Air hoses should have a minimum of 150 p.s.i. (10.6 kg/cm²) working pressure rating or 150 percent of the maximum pressure that could be produced in the air system. The supply hose should contain a fitting that will provide "quick disconnecting" from the male plug on the tool.

SUPPLY SOURCE:

Use only clean regulated compressed air as a power source for this tool. NEVER USE OXYGEN, COMBUSTIBLE GASES, OR BOTTLED GASES, AS A POWER SOURCE FOR THIS TOOL AS TOOL MAY EXPLODE.

REGULATOR:

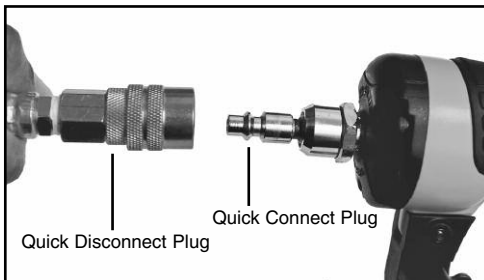
A pressure regulator with an operating pressure of 0 - 125 p.s.i. (0 - 8.79 kg/cm²) is required to control the operating pressure for safe operation of this tool. Do not connect this tool to air pressure which can potentially exceed 200 p.s.i. (14 kg/cm²) as tool may burst, possibly causing injury.

OPERATING PRESSURE:

Do not exceed recommended maximum operating pressure as tool wear will be greatly increased. The air supply must be capable of maintaining the operating pressure at the tool. Pressure drops in the air supply can reduce the tool's driving power. Refer to "TOOL SPECIFICATIONS" for setting the correct operating pressure for the tool.

FILTER:

Dirt and water in the air supply are major causes of wear in pneumatic tools. A filter will help to get the best performance and minimum wear from the tool. The filter must have adequate flow capacity for the specific installation. The filter has to be kept clean to be effective in providing clean compressed air to the tool. Consult the manufacturer's instructions on proper maintenance of your filter. A dirty and clogged filter will cause a pressure drop which will reduce the tool's performance.



LOADING THE EHF1838K & LHF2025K

⚠WARNING:



⚠WARNING:

EYE PROTECTION which conforms to ANSI specifications and provides protection against flying particles both from the **FRONT** and **SIDE** should **ALWAYS** be worn by the operator and others in the work area when connecting to air supply, loading, operating or servicing this tool. Eye protection is required to guard against flying fasteners and debris, which could cause severe eye injury.

The employer and/or user must ensure that proper eye protection is worn. Eye protection equipment must conform to the requirements of the American National Standards Institute, ANSI Z87.1 and provide both frontal and side protection. **NOTE:** Non-side shielded spectacles and face shields alone do not provide adequate protection.

TO PREVENT ACCIDENTAL INJURIES:

- Never place a hand or any other part of the body in fastener discharge area of tool while the air supply is connected.
- Never point the tool at anyone else.
- Never engage in horseplay.
- Never pull the trigger unless nose is directed at the work.
- Always handle the tool with care.
- Do not pull the trigger or depress the trip mechanism while loading the tool.

LOADING THE EHF1838K & LHF2025K

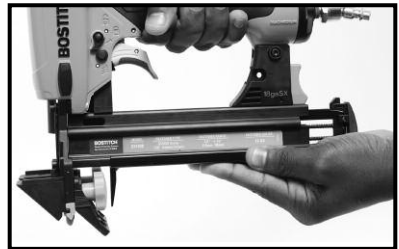
1. Depress magazine release button and pull back magazine.



2. Open magazine fully and turn tool sideways with discharge area pointed away from yourself and others. Load staples in channel.



3. Push magazine forward until latch is engaged.



TOOL OPERATION



EYE PROTECTION which conforms to ANSI specifications and provides protection against flying particles both from the **FRONT** and **SIDE** should **ALWAYS** be worn by the operator and others in the work area when connecting to air supply, loading, operating or servicing this tool. Eye protection is required to guard against flying fasteners and debris, which could cause severe eye injury.

⚠WARNING:

The employer and/or user must ensure that proper eye protection is worn. Eye protection equipment must conform to the requirements of the American National Standards Institute, ANSI Z87.1 and provide both frontal and side protection. **NOTE:** Non-side shielded spectacles and face shields alone do not provide adequate protection.

BEFORE HANDLING OR OPERATING THIS TOOL:

- I. READ AND UNDERSTAND THE WARNINGS CONTAINED IN THIS MANUAL.
- II. REFER TO "TOOL SPECIFICATIONS" IN THIS MANUAL TO IDENTIFY THE OPERATING SYSTEM ON YOUR TOOL.

OPERATION

⚠WARNING:

The operator must not hold the trigger pulled on contact trip tools except during fastening operation, as serious injury could result if the trip accidentally contacted someone or something, causing the tool to cycle.

⚠WARNING:

Keep hands and body away from the discharge area of the tool. A contact trip tool may bounce from the recoil of driving a fastener and an unwanted second fastener may be driven, possibly causing injury.

SEQUENTIAL TRIP:

In SEQUENTIAL TRIP MODE the contact trip operates in conjunction with the trigger to drive a fastener. To operate a sequential trip tool, first position the contact trip on the work surface **WITHOUT PULLING THE TRIGGER**. Depress the contact trip and then pull the trigger to drive a fastener. As long as the contact trip is contacting the work and is held depressed, the tool will drive a fastener each time the trigger is depressed. If the contact trip is allowed to leave the work surface, the sequence described above must be repeated to drive another fastener.

IN ADDITION TO THE OTHER WARNINGS CONTAINED IN THIS MANUAL OBSERVE THE FOLLOWING FOR SAFE OPERATION

- Use the BOSTITCH pneumatic tool only for the purpose for which it was designed.
- Never use this tool in a manner that could cause a fastener to be directed toward the user or others in the work area.
- Do not use the tool as a hammer.
- Always carry the tool by the handle. Never carry the tool by the air hose.
- Do not alter or modify this tool from the original design or function without approval from BOSTITCH, INC.
- Always be aware that misuse and improper handling of this tool can cause injury to yourself and others.
- Never clamp or tape the trigger or contact trip in an actuated position.
- Never leave a tool unattended with the air hose attached.
- Do not operate this tool if it does not contain a legible WARNING LABEL.
- Do not continue to use a tool that leaks air or does not function properly. Notify your nearest Bostitch representative if your tool continues to experience functional problems.

TOOL OPERATION CHECK

CAUTION: Remove all fasteners from tool before performing tool operation check.

SEQUENTIAL TRIP OPERATION:

- A. Press the contact trip against the work surface, without touching the trigger.
THE TOOL MUST NOT CYCLE.
- B. Hold the tool off the work surface and pull the trigger.
THE TOOL MUST NOT CYCLE.
Release the trigger. The trigger must return to the trigger stop on the frame.
- C. Pull the trigger and press the contact trip against the work surface.
THE TOOL MUST NOT CYCLE.
- D. With finger off the trigger, press the contact trip against the work surface. Pull the trigger.
THE TOOL MUST CYCLE.

MAINTAINING THE PNEUMATIC TOOL

⚠WARNING: When working on air tools, note the warnings in this manual and use extra care evaluating problem tools.

CAUTION: Pusher spring (constant force spring). Caution must be used when working with the spring assembly. The spring is wrapped around, but not attached to, a roller. If the spring is extended beyond its length, the end will come off the roller and the spring will roll up with a snap, with a chance of pinching your hand. Also the edges of the spring are very thin and could cut. Care must also be taken to insure no permanent kinks are put in the spring as this will reduce the springs force.

REPLACEMENT PARTS:

Use only genuine BOSTITCH replacement parts. Do not use modified parts.

ASSEMBLY PROCEDURE FOR SEALS:

When repairing a tool, make sure the internal parts are clean and lubricated. Use Parker "O"-LUBE, Magnalube, or equivalent on all "O"-rings. Coat each "O"-ring with lubricant before assembling.

AIR SUPPLY-PRESSURE AND VOLUME:

Air volume is as important as air pressure. The air volume supplied to the tool may be inadequate because of undersize fittings and hoses, or from the effects of dirt and water in the system. Restricted air flow will prevent the tool from receiving an adequate volume of air, even though the pressure reading is high. The results will be slow operation, misfeeds or reduced driving power. Before evaluating tool problems for these symptoms, trace the air supply from the tool to the supply source for restrictive connectors, low points containing water and anything else that would prevent full volume flow of air to the tool.

TROUBLESHOOTING

<u>PROBLEM</u>	<u>CAUSE</u>	<u>CORRECTION</u>
Trigger valve housing leaks air	O-ring cut or cracked	Replace O-ring
Trigger valve stem leaks air	O-ring/seals cut or cracked	Replace trigger valve assembly
Frame/nose leaks air	O-ring or gasket is cut or cracked	Replace O-ring or gasket
	Bumper cracked/worn	Replace bumper
Frame/cap leaks air	Damaged gasket or seal	Replace gasket or seal
	Cracked/worn head valve	Replace head valve
	Loose cap screws	Tighten and recheck
Failure to cycle	Air supply restriction	Check air supply equipment
	Worn head valve	Replace head valve
	Broken cylinder cap spring	Replace cylinder cap spring
	Head valve stuck in cap	Disassemble / Check / Lubricate
Lack of power; slow to cycle	Broken cylinder cap spring	Replace cap spring
	Rings/seals cut or cracked	Replace rings/seals
	Exhaust blocked	Check bumper, head valve spring
	Trigger assembly worn/leaks	Replace trigger assembly
	Dirt/tar build up on driver	Disassemble nose/driver to clean
	Cylinder sleeve not seated correctly on bottom bumper	Disassemble to correct
	Air pressure too low	Check air supply equipment
	Clogged air filter	Clean or replace air filter
Skipping fasteners; intermittent feed	Worn bumper	Replace bumper
	Tar/dirt in driver channel	Disassemble and clean nose and driver
	Air restriction/inadequate air flow through quick disconnect socket and plug	Replace quick disconnect fittings
	Worn piston ring	Replace ring, check driver
	Damaged pusher spring	Replace spring
	Low air pressure	Check air supply system to tool
	Loose magazine nose screws	Tighten all screws
	Fasteners too short for tool	Use only recommended fasteners
	Bent fasteners	Discontinue using these fasteners
	Wrong size fasteners	Use only recommended fasteners
	Leaking head cap gasket	Tighten screws/replace gasket
	Trigger valve O-ring cut/worn	Replace O-ring
	Broken/chipped driver	Replace driver (check piston ring)
	Dry/dirty magazine	Clean/lubricate use BOSTITCH Air Tool Lubricant
	Worn magazine	Replace magazine
	Clogged air filter	Clean or replace air filter
Fasteners jam in tool	Driver channel worn	Replace nose/check door
	Wrong size fasteners	Use only recommended fasteners
	Bent fasteners	Discontinue using these fasteners
	Loose magazine/nose screws	Tighten all screws
	Broken/chipped driver	Replace driver

MAINTENANCE CHECKLIST

Maintenance	Benefit	Procedure	Service Interval
Inspect trigger performance	Ensure trigger system is in proper working order	Refer to Tool Operation Check section in this manual	Daily
Drain condensation from air compressor tanks and air filters (if present)	Prevents accumulation of moisture that can impede tool performance	Open drain cock on tanks and air filters and drain all condensate	Daily
Clean magazine assembly	Prevents accumulation of debris that could cause a jam	Blow clean with compressed air	Daily
Clean nose assembly	Prevents accumulation of debris that could cause a jam	Blow clean with compressed air	Daily
Ensure all fasteners remain tight	Prevent loose parts	Tighten all fasteners with appropriately sized hex wrench	Weekly
Check/clean air inlet air filter	Maintains proper air flow to engine for peak performance.	Remove end cap and use compressed air blow gun to blow filter clean. Replace filter as required.	25,000 Fasteners, or monthly - if used in dusty location
Replace no-mar tip	Prevents marks in softwood applications	Remove worn no-mar tip and replace with a new tip (a spare tip is located on the magazine)	25,000 Fasteners
Replace swivel air fitting	Maintains proper air flow to engine for peak performance	Remove worn swivel air fitting and replace with new swivel fitting	50,000 Fasteners
Replace piston/driver assembly	Maintains consistent drive quality	Refer to replacement part kit instructions	150,000 Fasteners
Replace O-rings	Maintains engine for peak performance	Refer to replacement part kit instructions	250,000 Fasteners
Replace bumper	Maintains engine for peak performance	Refer to replacement part kit instructions	250,000 Fasteners
Replace headvalve	Maintains engine for peak performance	Refer to replacement part kit instructions	250,000 Fasteners
Replace engine cylinder	Maintains engine for peak performance	Refer to replacement part kit instructions	500,000 Fasteners

OTHER BOSTITCH FLOORING PRODUCTS



MIIFS
15.5 GAUGE
FLOORING STAPLER



MIIFN
16 GAUGE FLOORING NAILER



MFN-201
20 GAUGE MANUAL
FLOORING NAILER



PRO-3850
9.5 MM X 15 MM (3/8" X 50')
PREMIUM QUALITY
POLYURETHANE AIR HOSE



PRO-1450
6.4 MM X 15 MM (1/4" X 50')
PREMIUM QUALITY
POLYURETHANE AIR HOSE



HFM-3
14.8", 45OZ SOFT FACE
HARDWOOD FLOORING
MALLET

INTRODUCCIÓN

Los modelos Bostitch EHF1838K y LHF2025K son herramientas construidas a precisión, diseñadas para funcionar a alta velocidad y con alto volumen. Estas herramientas entregan un servicio eficiente y fiable cuando se usan correctamente y con cuidado. Al igual que con toda herramienta automática de calidad, deben seguirse las instrucciones del fabricante para obtener el óptimo rendimiento. Estudie este manual antes de operar la herramienta y tome nota de las advertencias y precauciones de seguridad. Deben leerse en detalle las instrucciones sobre la instalación, operación y mantenimiento, y deben conservarse los manuales para referencia. NOTA: Pueden necesitarse medidas adicionales de seguridad según la aplicación particular de la herramienta. Diríjase al representante o distribuidor de Bostitch si tiene alguna pregunta referente a la herramienta y su uso. Bostitch, Inc., East Greenwich, Rhode Island 02818.

ÍNDICE

Instrucciones de seguridad	14
Componentes de las herramientas	15
Especificaciones de la herramienta/Sujetador	16
Suministro de aire y conexiones	17
Cargar la herramienta	18
Operación de la herramienta	19
Verificación de la operación de la herramienta	20
Mantenimiento de la herramienta neumática	20
Localización de fallas	21
Lista de verificación de mantenimiento	22
Otros productos Bostitch para pisos	23

NOTA:

Las herramientas Bostitch se han diseñado para brindar una satisfacción excelente al cliente y lograr máximo rendimiento al utilizarse con fijaciones de precisión Bostitch diseñadas con las mismas normas estrictas. **Bostitch no puede asumir responsabilidad alguna por el rendimiento del producto si se utilizan nuestras herramientas con fijaciones o accesorios que no reúnen los requisitos específicos establecidos para los clavos, grapas y accesorios genuinos de Bostitch.**



GARANTÍA LIMITADA – Sólo EE.UU. y Canadá

A partir del 1 de diciembre de 2005 Bostitch, L.P. garantiza al comprador original al por menor que el producto comprado está exento de defectos de material y mano de obra, y acepta reparar o reemplazar, a opción de Bostitch, cualquier engrapadora o clavadora neumática defectuosa de marca Bostitch por un período de siete (7) años desde la fecha de compra (un (1) año desde la fecha de compra para compresores y herramientas utilizadas en aplicaciones de producción). Esta garantía no es transferible. Se requiere comprobante de la fecha de compra. Esta garantía solamente cubre daños resultantes de defectos en material o fabricación; no cubre condiciones o desperfectos resultantes del desgaste normal, negligencia, abuso, accidente o reparaciones intentadas o efectuadas por terceros ajenos a nuestro centro nacional de reparaciones o a los centros autorizados de servicio bajo garantía. Las aspas del impulsor, los topes, las juntas tóricas, pistones y anillos de pistones se consideran componentes de desgaste normal. Para que la herramienta Bostitch funcione óptimamente siempre use fijaciones y piezas de repuesto genuinas de Bostitch.

ESTA GARANTÍA REEMPLAZA TODA OTRA GARANTÍA, EXPRESA O IMPLÍCITA, INCLUIDAS ENTRE OTRAS LAS GARANTÍAS IMPLÍCITAS DE COMERCIABILIDAD O IDONEIDAD PARA UN FIN PARTICULAR. BOSTITCH NO SERÁ RESPONSABLE DE DAÑOS FORTUITOS O CONSECUENCIALES.

Algunos estados y países no permiten limitaciones a la duración de una garantía implícita ni la exclusión o limitación de daños fortuitos o consecuenciales, de modo que las limitaciones o exclusiones anteriores pueden no corresponder a su caso. Esta garantía le concede derechos legales específicos, y usted puede tener también otros derechos que varían de un estado a otro.

Para obtener servicio bajo la garantía en los EE.UU., devuelva el producto junto con su comprobante de compra dirigido al Centro Nacional de Bostitch o al Centro Autorizado de Servicio Bajo Garantía Independiente. En los EE.UU. puede llamarnos al 1-800-556-6696 o visitar www.BOSTITCH.com para obtener la dirección que más le convenga. En Canadá llámenos al 800-567-7705 o visite www.BOSTITCH.com

INSTRUCCIONES DE SEGURIDAD

ADVERTENCIA: El operador y otros en el área SIEMPRE deben llevar PROTECCIÓN OCULAR en conformidad con las especificaciones ANSI y que proteja contra partículas que vuelen por DELANTE y por el LADO, cuando se haga la conexión al suministro de aire, así como al cargar, operar o dar servicio a esta herramienta. Se exige protegerse la vista para resguardarse contra fijaciones o residuos que vuelen, lo cual puede causar lesiones graves a los ojos.



El empleador y/o el usuario deben asegurar que se protejan debidamente los ojos. El equipo de protección ocular debe estar en conformidad con los requisitos del Instituto Nacional Americano de Normas (American National Standards Institute), ANSI Z87.1 y proteger por delante y por el costado. NOTA: Los anteojos o caretas sin protección lateral por sí solos no dan una protección adecuada.

PRECAUCIÓN: En algunos ambientes se necesitará protección adicional de seguridad. Por ejemplo, el área de trabajo puede exponer a un nivel de ruido que lesione el oído. El empleador y el usuario deben comprobar que se cuente con la protección necesaria del oído y que el operador y los demás presentes en el área la usen. Algunos ambientes exigirán el uso de casco protector. Cuando sea necesario, el empleador y el usuario deben verificar que se proteja la cabeza en conformidad con la norma ANSI Z89.1.

SUMINISTRO DE AIRE Y CONEXIONES

ADVERTENCIA: No use oxígeno, gases combustibles ni gases envasados en cilindros para operar esta herramienta porque puede explotar, causando posibles lesiones.

ADVERTENCIA: No use fuentes de suministro que tengan el potencial de superar 14 kg/cm² (200 P.S.I.G.) dado que la herramienta puede explotar, causando posibles lesiones.

ADVERTENCIA: El conector de la herramienta no debe contener presión cuando se desconecte el suministro de aire. Si se usa el conector indebido, la herramienta puede mantenerse cargada con aire después de desconectarla y podría impulsar una fijación incluso después de desconectar la línea de aire, causando posibles lesiones.

ADVERTENCIA: No accione el gatillo ni oprima el brazo de contacto mientras esté conectado al suministro de aire porque la herramienta puede hacer un ciclo, causando posibles lesiones.

ADVERTENCIA: Siempre desconecte el suministro de aire: 1.) Antes de hacer ajustes; 2.) Al dar servicio a la herramienta; 3.) Al despejar un atasco; 4.) Cuando no está en uso la herramienta; 5.) Al avanzar a otra área de trabajo, porque puede activarse accidentalmente, causando posibles lesiones.

CARGA DE LA HERRAMIENTA

ADVERTENCIA: Al cargar la herramienta: 1.) Nunca ponga la mano ni ninguna otra parte del cuerpo en el área aplicadora de descarga de la herramienta; 2.) Nunca apunte la herramienta a ninguna persona; 3.) No accione el gatillo ni pulse el disparador porque puede activarse accidentalmente, causando posibles lesiones.

FUNCIONAMIENTO

ADVERTENCIA: Siempre maneje la herramienta con cuidado: 1.) Nunca participe en juegos rudos; 2.) Nunca accione el gatillo a menos que la punta esté dirigida hacia el trabajo; 3.) Mantenga a los demás a una distancia segura de la herramienta mientras esté en funcionamiento porque puede activarse accidentalmente, causando posibles lesiones.

ADVERTENCIA: El operador no debe sostener el gatillo accionado en las herramientas con brazos de contacto salvo durante la aplicación de fijaciones ya que pueden ocurrir lesiones graves si el disparo tomara contacto accidentalmente con algo o alguien, ocasionando que la herramienta haga un ciclo.

ADVERTENCIA: Mantenga las manos y el cuerpo alejados del área de descarga de la herramienta. Una herramienta con brazo de contacto puede rebotar al aplicar una fijación haciendo salir otra, causando posibles lesiones.

ADVERTENCIA: Revise frecuentemente el funcionamiento del mecanismo del brazo de contacto. No use la herramienta si el brazo no funciona correctamente ya que puede impulsarse accidentalmente una fijación. No interfiera con el funcionamiento adecuado del mecanismo del brazo de contacto.

ADVERTENCIA: No aplique clavos o grapas encima de otras ni con la herramienta en un ángulo demasiado agudo pues esto puede ocasionar su deflexión, pudiendo causar lesiones.

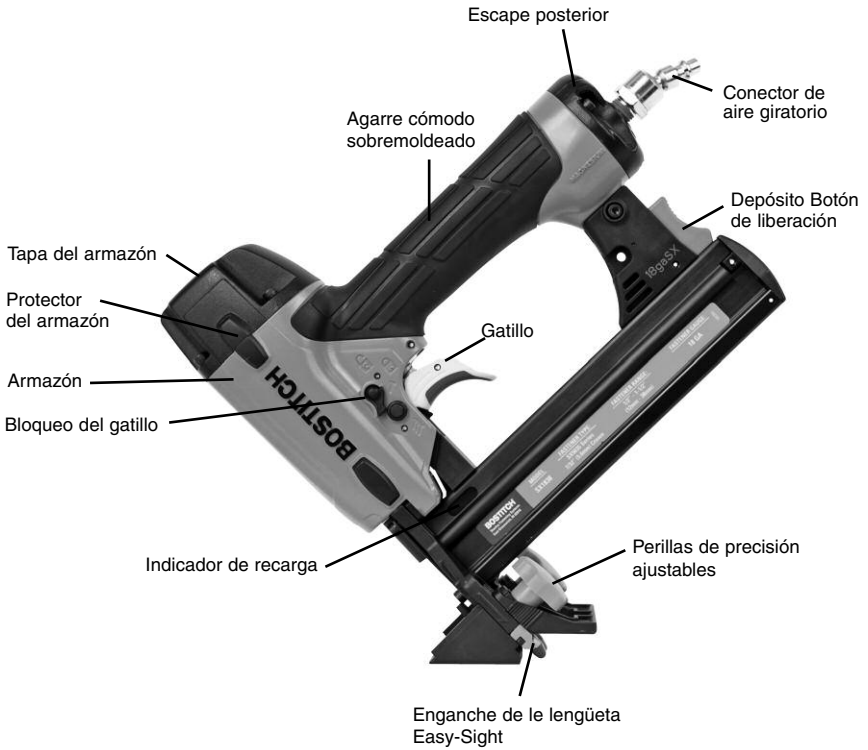
ADVERTENCIA: No aplique grapas cerca del borde de la pieza con la cual esté trabajando pues la madera puede dividirse, permitiendo la deflexión del clavo o grapa, causando posibles lesiones.

ADVERTENCIA: Esta clavadora produce CHISPAS durante la operación. NUNCA use la clavadora cerca de sustancias, gases ni vapores inflamables, incluidos lacas, pintura, bencina, gasolina, adhesivos, mástique, pegamentos ni ningún otro material que sea inflamable, combustible o explosivo -- o vapores, emanaciones o subproductos que puedan serlo. Si se usa la clavadora en cualquier ambiente de este tipo podría causar una EXPLOSIÓN produciendo lesiones físicas o fatales para el usuario y las personas en la cercanía.

MANTENIMIENTO DE LA HERRAMIENTA

ADVERTENCIA: Al trabajar con herramientas neumáticas, observe las advertencias de este manual y tenga sumo cuidado al evaluar herramientas con problemas.

COMPONENTES DE LA HERRAMIENTA



ESPECIFICACIONES DE LA HERRAMIENTA

Todas las dimensiones están en pulgadas a menos que se especifique lo contrario.

	EHF1838K	LHF2025K
Descripción	Engrapadora para duela calibre 18	Engrapadora para duela calibre 20
Tipo de motor	Sin aceite	Sin aceite
Rango de presión operativa	4.9 to 8.43kg/cm ² (70-120 PSI)	4.9 to 8.43 kg/cm ² (70-120 PSI)
Máxima presión operativa	8.43 kg/cm ² (120 PSI)	8.43 kg/cm ² (120 PSI)
Tipo de fijación	Serie SX5035	SB97-1GLS
Calibre de la fijación	Calibre 18	Calibre 20
Gama de la fijación	25mm-38mm (1" - 1-1/2")	25mm (1")
Capacidad del depósito	100	125
Largo	235mm (9-1/4")	235mm (9-1/4")
Ancho	69.9mm (2-3/4")	69.9mm (2-3/4")
Altura	250.8mm (9-7/8")	215.9mm (8.5")
Peso	1.57kg (3.47lbs.)	1.32kg (2.9lbs.)

Presión operativa:

4.9 a 8.43 kg/cm² (70 a 120 p.s.i.g.). Seleccione la presión operativa dentro de esta gama para lograr el óptimo rendimiento de las fijaciones.


NO SUPERE ESTA PRESIÓN OPERATIVA RECOMENDADA.

Consumo de aire:

La EHF1838K requiere 1.94 pies cúbicos por minuto o C.F.M. (54.93 litros por minuto o LT/MIN) de aire libre a 80PSI (5.6 kg/cm²) para operar a una velocidad de 60 sujetadores por minuto. La EHF1838K requiere 1.90 pies cúbicos por minuto o C.F.M. (53.8 litros por minuto o LT/MIN) de aire libre a 80PSI (5.6 kg/cm²) para operar a una velocidad de 60 sujetadores por minuto. Para determinar el compresor de aire del tamaño adecuado, tome la velocidad real con la cual se operará la herramienta y compare los pies C.F.M. (LT/MIN) (LT/MIN) con la entrega de aire libre del compresor (C.F.M./ LT/MIN) a 5.6 kg/cm² (80 PSI).

Por ejemplo, si el uso de fijaciones promedia 30 fijaciones por minuto, necesita el 50% de los pies cúbicos por minuto de la herramienta para hacer funcionar la herramienta a razón de 60 fijaciones por minuto. En este caso, asegúrese de que el compresor de aire pueda entregar un mínimo de 27.47 LT/MIN (0.97 C.F.M.) a 5.6 kg/cm² (80 PSI) para un óptimo rendimiento.

ESPECIFICACIONES DE FIJACIONES

Modelo de herramienta	Tipo de fijación	SKU de la fijación	Ancho de corona	Calibre	Largo
EHF1838K	 Grapas	SX50351G	7/32"	18	1" (25mm)
		SX50351-1/8G	7/32"	18	1-1/8" (28mm)
		SX50351-3/16G	7/32"	18	1-3/16" (30mm)
		SX50351-1/4G	7/32"	18	1-1/4" (32mm)
		SX50351-3/8G	7/32"	18	1-3/8" (35mm)
		SX50351-1/2G	7/32"	18	1-1/2" (38mm)
LHF2025K	Grapas	SB97-1G	3/16"	20	1" (25mm)

* También se ofrecen fijaciones de acero inoxidable en ciertos tamaños. Visite www.BOSTITCH.com para saber más detalles.

NOTA:

Las herramientas BOSTITCH se han diseñado para brindar una satisfacción excelente al cliente y lograr máximo rendimiento al utilizarse con fijaciones de precisión BOSTITCH diseñadas con las mismas normas estrictas. **BOSTITCH no puede asumir responsabilidad alguna por el rendimiento del producto si se utilizan nuestras herramientas con fijaciones o accesorios que no reúnen los requisitos específicos establecidos para fijaciones y accesorios genuinos de BOSTITCH.**

SUMINISTRO DE AIRE Y CONEXIONES

⚠ ADVERTENCIA: *No use oxígeno, gases combustibles ni gases envasados en cilindros para operar esta herramienta porque puede explotar, causando posibles lesiones.*

CONECTORES:

Instale un enchufe macho en la herramienta que está fluyendo libremente y que liberará presión de aire de la herramienta al desconectarse de la fuente de alimentación.

MANGUERAS:

Las mangueras de aire deben tener una presión nominal de trabajo mínima de 10.6 kg/cm² (150 p.s.i.) de capacidad nominal de presión de trabajo o un 150 por ciento de la presión máxima que podría producirse en el sistema de aire. La manguera de suministro debe contar con un conector de "desconexión rápida" del enchufe macho en la herramienta.

FUENTE DE SUMINISTRO:

Use solamente aire comprimido regulado limpio como fuente de energía para esta herramienta. **NUNCA USE OXÍGENO, GASES COMBUSTIBLES O GASES ENVASADOS EN CILINDROS COMO FUENTE DE ENERGÍA PARA ESTA HERRAMIENTA, PUES LA HERRAMIENTA PUEDE EXPLOTAR.**

REGULADOR:

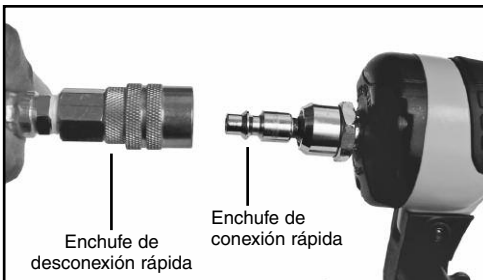
Se necesita un regulador de presión con una presión operativa de 0 - 8.79 kg/cm² (0 - 125 p.s.i.) para controlar la presión operativa con el fin de que la herramienta funcione en forma segura. No conecte esta herramienta a la presión de aire que potencialmente pueda superar 14 kg/cm² (200 p.s.i.) porque la herramienta puede explotar, causando posibles lesiones.

PRESIÓN OPERATIVA:

No supere la presión operativa máxima recomendada porque aumentará considerablemente el desgaste de la herramienta. El suministro de aire debe ser capaz de mantener la presión operativa de la herramienta. Las caídas de presión en el suministro de aire pueden reducir la energía impulsora de la herramienta. Consulte las "ESPECIFICACIONES DE LA HERRAMIENTA" para establecer la presión operativa correcta de la herramienta.

FILTRO:

La suciedad y el agua en el suministro de aire son las causas principales de desgaste en las herramientas neumáticas. Resultará útil un filtro para obtener el mejor rendimiento y minimizar el desgaste de la herramienta. El filtro debe tener una capacidad de flujo adecuada para la instalación específica. El filtro debe mantenerse limpio para ser eficaz en el suministro de aire comprimido limpio a la herramienta. Consulte las instrucciones del fabricante para ver el mantenimiento adecuado del filtro. Si el filtro está sucio y obstruido ocasionará una caída de presión que a su vez reduce el rendimiento de la herramienta.



CARGA DE LA EHF1838K Y LA LHF2025K

ADVERTENCIA:



El operador y otros en el área SIEMPRE deben llevar PROTECCIÓN OCULAR en conformidad con las especificaciones ANSI y que proteja contra partículas que vuelen por DELANTE y por el LADO, cuando se haga la conexión al suministro de aire, así como al cargar, operar o dar servicio a esta herramienta. Se exige protegerse la vista para resguardarse contra fijaciones o residuos que vuelen, lo cual puede causar lesiones graves a los ojos.

El empleador o el usuario deben asegurar que se protejan debidamente los ojos. El equipo de protección ocular debe estar en conformidad con los requisitos del Instituto Nacional Americano de Normas (American National Standards Institute), ANSI Z87.1 y proteger por delante y por el costado. NOTA: Los anteojos o caretas sin protección lateral por sí solos no dan una protección adecuada.

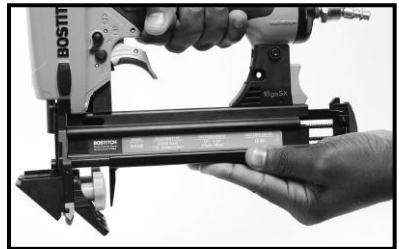
ADVERTENCIA:

PARA PREVENIR LESIONES ACCIDENTALES:

- Nunca coloque una mano o cualquier parte del cuerpo en el área de descarga del sujetador de la herramienta mientras está conectado el suministro de aire.
- Nunca apunte la herramienta hacia una persona.
- Nunca participe en juegos rudos.
- Nunca accione el gatillo a menos que la punta esté dirigida hacia el trabajo.
- Siempre maneje la herramienta con cuidado.
- No accione el gatillo ni oprima el mecanismo de disparo mientras carga la herramienta.

CARGA DE LA EHF1838K & LHF2025K

1. Oprima el botón de liberación del depósito y mueva hacia atrás el depósito.
2. Abra el depósito totalmente y gire la herramienta de lado con el área de descarga apuntando lejos de usted y de otras personas. Cargue las grapas en el canal.
3. Empuje el depósito hacia delante hasta que se enganche el pestillo.



OPERACIÓN DE LA HERRAMIENTA



PROTECCIÓN OCULAR que cumpla con las especificaciones ANSI y proporcione protección contra partículas voladoras tanto al FRENTE como en los LADOS SIEMPRE la deberá utilizar el operador y otras personas que estén en el área de trabajo cuando se cargue, opere o dé servicio a esta herramienta. La protección ocular es necesaria para protegerle contra sujetadores o basura que pueda volar, y que pudiera causar lesiones serias a los ojos.

ADVERTENCIA:

El patrón y/o usuario deberán asegurarse de utilizar una protección ocular adecuada. El equipo de protección ocular deberá cumplir con los requisitos del Instituto de Normatividad Nacional Estadounidense, ANSI Z87.1 y proporcionar protección tanto al frente como lateral. **NOTA:** Los anteojos sin protección lateral y las caretas por sí solas no proporcionan una protección adecuada.

ANTES DE MANEJAR U OPERAR ESTA HERRAMIENTA:

- I. LEA Y ENTIENDA LAS ADVERTENCIAS CONTENIDAS EN ESTE MANUAL.
- II. REFÍERASE A LAS “ESPECIFICACIONES DE LA HERRAMIENTA” EN ESTE MANUAL PARA IDENTIFICAR EL SISTEMA OPERATIVO DE SU HERRAMIENTA.

OPERACIÓN

ADVERTENCIA:

El operador no debe sostener el gatillo accionado en las herramientas con disparo de contacto salvo durante la aplicación de fijaciones ya que pueden ocurrir lesiones graves si el disparador tomara contacto accidentalmente con algo o alguien, ocasionando que la herramienta haga un ciclo.

ADVERTENCIA:

Mantenga las manos y el cuerpo alejados del área de descarga de la herramienta. Una herramienta con disparo de contacto puede rebotar al aplicar una fijación haciendo salir otra, causando posibles lesiones.

FUNCIONAMIENTO DEL DISPARO SECUENCIAL:

En el MODO DE DISPARO SECUENCIAL el disparo de contacto funciona en conjunto con el gatillo para impulsar una fijación. Para usar una herramienta con disparo secuencial, primero coloque el disparo de contacto sobre la superficie de trabajo SIN ACCIONAR ELGATILLO. Oprima el disparo de contacto y luego accione el gatillo para aplicar una fijación. Siempre y cuando el disparo de contacto toque el trabajo y se mantenga oprimido, la herramienta aplicará una fijación cada vez que se oprima el gatillo. Si se deja que el disparo de contacto se separe de la superficie de trabajo, debe repetirse la secuencia descrita más arriba para colocar otra fijación.

ADEMÁS DE LAS OTRAS ADVERTENCIAS CONTENIDAS EN ESTE MANUAL OBSERVE LO SIGUIENTE PARA LA OPERACIÓN SEGURA

- Use la herramienta neumática BOSTITCH solamente para el fin que fue diseñada.
- Nunca use esta herramienta de tal modo que pueda causar la salida de una fijación hacia el usuario u otros presentes en el área de trabajo.
- No use la herramienta como martillo.
- Siempre lleve la herramienta tomándola por la empuñadura. Nunca lleve la herramienta tomándola por la manguera de aire.
- No altere ni modifique el diseño o función original de esta herramienta sin la aprobación de BOSTITCH, INC.
- Siempre tenga presente que el uso indebido o la manipulación incorrecta de esta herramienta puede causarle lesiones a usted y a los demás.
- Nunca use abrazaderas ni cinta para bloquear el gatillo o el disparo de contacto en la posición activada.
- Nunca deje una herramienta sin supervisión con la manguera de aire conectada.
- No opere esta herramienta si no cuenta con una ETIQUETA DE ADVERTENCIA legible.
- Deje de usar la herramienta si tiene fugas de aire o no funciona bien. Notifique al representante más cercano de Bostitch si la herramienta continúa experimentando problemas funcionales.

REVISIÓN FUNCIONAL DE LA HERRAMIENTA

PRECAUCIÓN: Retire todas las fijaciones de la herramienta antes de revisar cómo funciona.

FUNCIONAMIENTO DEL DISPARO SECUENCIAL:

- A. Presione el disparo de contacto contra la superficie de trabajo, sin tocar el gatillo.
NO DEBE HACER UN CICLO LA HERRAMIENTA.
- B. Sostenga la herramienta sin tocar la superficie de trabajo y accione el gatillo.
NO DEBE HACER UN CICLO LA HERRAMIENTA.
Libere el gatillo. El gatillo debe regresar al tope del gatillo del armazón.
- C. Accione el gatillo y presione el disparo de contacto contra la superficie de trabajo.
NO DEBE HACER UN CICLO LA HERRAMIENTA.
- D. Con el dedo lejos del gatillo, presione el disparo de contacto contra la superficie de trabajo. Accione el gatillo.
DEBE HACER UN CICLO LA HERRAMIENTA.

MANTENIMIENTO DE LA HERRAMIENTA NEUMÁTICA

ADVERTENCIA: Al trabajar con herramientas neumáticas, observe las advertencias de este manual y tenga sumo cuidado al evaluar herramientas con problemas.

PRECAUCIÓN: Resorte de empuje (resorte de fuerza constante). Debe tenerse cuidado al trabajar con el ensamblaje del resorte. El resorte va envuelto alrededor de un rodillo, no conectado al mismo. Si el resorte se extiende más allá de su longitud, el extremo se saldrá del rodillo y el resorte se enrollará con un chasquido, posiblemente pellizcándole la mano. Los bordes del resorte también son muy finos y podrían cortar. Debe tenerse cuidado para asegurar que no se hagan dobleces permanentes en el resorte porque esto reducirá la fuerza del mismo.

PIEZAS DE REPUESTO:

Al cambiar piezas, solamente use repuestos genuinos BOSTITCH. No use piezas modificadas.

PROCEDIMIENTO DE ENSAMBLAJE PARA LOS SELLOS:

Al reparar una herramienta, fíjese en que las piezas internas estén limpias y lubricadas. Use Parker "O"-LUBE, Magnalube u otro lubricante equivalente en todas las juntas tóricas. Cubra cada junta tórica con lubricante antes del ensamblaje.

PRESIÓN Y VOLUMEN DEL SUMINISTRO DE AIRE:

El volumen de aire es tan importante como la presión de aire. El volumen de aire suministrado a la herramienta puede ser inadecuado debido a accesorios y mangueras de tamaño inferior o por los efectos de suciedad y agua en el sistema. El flujo de aire restringido impedirá que la herramienta reciba un volumen de aire adecuado, aun cuando la lectura de presión sea alta. Los resultados serán funcionamiento lento, fijaciones mal dirigidas o menor potencia de impulso. Antes de evaluar los problemas de las herramientas según estos síntomas, inspeccione el suministro de aire desde la herramienta a la fuente de suministro en busca de conectores restrictivos, puntos bajos que tengan agua y cualquier otra cosa que impida el flujo del volumen completo de aire a la herramienta.

SOLUCIÓN DE PROBLEMAS

<u>PROBLEMA</u>	<u>CAUSA</u>	<u>CORRECCIÓN</u>
El alojamiento de la válvula de disparo tiene fuga de aire	La junta tórica está cortada o agrietadaCambie la junta tórica
El vástago de la válvula de disparo tiene fuga de aire	La junta tórica o los sellos están cortados o agrietadosCambie el ensamblaje de la válvula de disparo
El armazón o la punta tiene fuga de aire	La junta tórica o la empaquetadura está cortada o agrietada El tope está agrietado o desgastadoCambie la junta tórica o la empaquetaduraCambie el tope
El armazón o la tapa tiene fuga de aire	La empaquetadura o el sello está dañado La válvula cabezal está agrietada o desgastada Los tornillos de casquete están sueltosCambie la empaquetadura o el selloReemplace la válvula cabezalApriete y revíselos de nuevo
No hace ciclos	El suministro de aire está restringido La válvula cabezal está desgastada El resorte en la tapa del cilindro está roto La válvula cabezal está pegada en la tapaRevise el equipo de suministro de aireReemplace la válvula cabezalCambie el resorte de la tapa del cilindroDesarme / Revise/ Lubrique lo necesario
Falta alimentación; el ciclo es lento	El resorte en la tapa del cilindro está roto Las juntas tóricas o los sellos están cortados o agrietados Escape bloqueado El ensamblaje del gatillo está desgastado o tiene fugas Hay acumulación de suciedad o alquitrán en el impulsor El manguito del cilindro no está asentado correctamente en el tope inferior La presión de aire está demasiado baja Filtro de aire obstruidoCambie el resorte de la tapaCambie las juntas tóricas o los sellosRevise el tope, el resorte de la válvula cabezalCambie el ensamblaje del gatilloDesarme la punta o el impulsor para limpiarDesármelo para corregir estoRevise el equipo de suministro de aireLimpíelo o reemplácelo
Se saltan las fijaciones; alimentación intermitente	El tope está desgastado Hay alquitrán o suciedad en el canal del impulsor Restricción de aire/flujo indebido de aire a través del enchufe y la toma de desconexión rápida Está desgastado el anillo del pistón El resorte de empuje está dañado Hay baja presión de aire Los tornillos en la punta del depósito están sueltos Las fijaciones son demasiado cortas para la herramienta Hay fijaciones dobladas Las fijaciones son del tamaño incorrecto La empaquetadura de la tapa cabezal tiene fugas La junta tórica de la válvula de disparo está cortada o desgastada El impulsor está roto o picado El depósito está seco o sucio El depósito está desgastado Filtro de aire obstruidoCambie el topeDesarme y limpie la punta y el impulsorCambie los accesorios de desconexión rápidaCambie el anillo, revise el impulsorCambie el resorteRevise el sistema de suministro de aire a la herramientaApriete todos los tornillosUse solamente las fijaciones recomendadasDeje de usar estas fijacionesUse solamente las fijaciones recomendadasApriete los tornillos o cambie la empaquetaduraCambie la junta tóricaCambie el impulsor (revise el anillo del pistón)Limpie/lubrique con Lubricante para herramientas neumáticas BOSTITCHCambie el depósitoLimpíelo o reemplácelo
Se atascan las fijaciones en la herramienta	El canal del impulsor está desgastado Las fijaciones son del tamaño incorrecto Hay fijaciones dobladas Hay tornillos sueltos en el depósito o la punta El impulsor está roto o picadoCambie la punta, revise la puertaUse solamente las fijaciones recomendadasDeje de usar estas fijacionesApriete todos los tornillosCambie el impulsor

LISTA DE VERIFICACIÓN DE MANTENIMIENTO

Mantenimiento	Beneficio	Procedimiento	Intervalo de servicio
Inspeccione el funcionamiento del gatillo o disparador	Confirme que el sistema de disparo funcione bien	Consulte la sección Revisión funcional de la herramienta en este manual	Diariamente
Drene la condensación de los tanques y filtros de aire del compresor de aire (si la hay)	Previene la acumulación de humedad que puede impedir el buen rendimiento de la herramienta	Abra la llave de drenaje en los tanques y filtros de aire y drene todo el condensado	Diariamente
Limpie el ensamblaje del depósito	Previene la acumulación de residuos que pudieran causar atascos	Limpie soplando con aire comprimido	Diariamente
Limpie el ensamblaje de la punta	Previene la acumulación de residuos que pudieran causar atascos	Limpie soplando con aire comprimido	Diariamente
Asegure que todas las fijaciones se mantengan apretadas	Previene las piezas sueltas	Apriete todas las fijaciones con la llave hexagonal del tamaño apropiado	Semanalmente
Revise/limpie el filtro de aire de la entrada de aire	Mantiene el flujo de aire correcto al motor para lograr óptimo rendimiento.	Retire la tapa del extremo y use la pistola de aire comprimido para soplar el filtro y dejarlo limpio. Reemplace el filtro según se requiera.	25,000 fijaciones o Mensualmente - si se utiliza en lugares polvorientos
Reemplace la punta que no marca	Previene marcas en trabajo con madera blanda	Retire la punta que no marca si está desgastada y cámbiela por otra nueva (hay una punta de repuesto en el depósito)	25,000 fijaciones
Reemplace el conector de aire giratorio	Mantiene el flujo de aire correcto al motor para lograr óptimo rendimiento	Retire el conector de aire giratorio si está desgastado y cámbielo por otro nuevo	50,000 fijaciones
Reemplace el ensamblaje de pistón/impulsor	Mantiene la calidad constante de impulso	Remítase a las instrucciones del paquete de piezas de repuesto	150,000 fijaciones
Cambie las juntas tóricas	Mantiene el motor para lograr óptimo rendimiento	Remítase a las instrucciones del paquete de piezas de repuesto	250,000 fijaciones
Cambie el tope	Mantiene el motor para lograr óptimo rendimiento	Remítase a las instrucciones del paquete de piezas de repuesto	250,000 fijaciones
Cambie la válvula cabezal	Mantiene el motor para lograr óptimo rendimiento	Remítase a las instrucciones del paquete de piezas de repuesto	250,000 fijaciones
Reemplace el cilindro del motor	Mantiene el motor para lograr óptimo rendimiento	Remítase a las instrucciones del paquete de piezas de repuesto	500,000 fijaciones

OTROS PRODUCTOS BOSTITCH PARA PISOS



MIIIFS
ENGRAPADORA PARA
DUELA CALIBRE 15.5



MIIIFN
CLAVADORA PARA DUELA
CALIBRE 16



MFN-201
CLAVADORA MANUAL
PARA PISO CALIBRE 20



PRO-3850
MANGUERA DE AIRE DE
POLIURETANO DE PRIMERA
CALIDAD DE 9.5 MM X 15 M
(3/8" X 50')



PRO-1450
MANGUERA DE AIRE DE
POLIURETANO DE PRIMERA
CALIDAD DE 6.4 MM X 15 M
(1/4" X 50')



HFM-3
MAZO PARA PISO DE
MADERA DURA DE CARA
SUAVE DE 14.8" Y 45 ONZAS

INTRODUCTION

Les EHF1838K et LHF2025K de Bostitch sont des outils de précision, conçus pour la pose d'attaches à haute vitesse et à haut volume. Ces outils vous donneront un rendement efficace et fiable lorsqu'utilisés correctement et avec soin. Comme pour tout outil de précision, il est important de suivre les instructions du fabricant pour obtenir la meilleure performance. Veuillez étudier ce manuel avant d'utiliser l'outil et comprendre les avertissements et les mises en garde de sécurité. Les instructions ayant trait à l'installation, le fonctionnement et l'entretien doivent être lues attentivement et les manuels doivent être conservés pour référence. **REMARQUE** : Des mesures de sécurité additionnelles peuvent être requises en fonction de l'utilisation que vous faites de l'outil. Contactez votre représentant ou distributeur Bostitch pour toute question concernant l'outil et son utilisation. Bostitch, Inc., East Greenwich, Rhode Island 02818, É.-U.

INDEX

Consignes de sécurité	25
Composants de l'outil	26
Fiche technique de l'outil	27
Alimentation d'air et connexions	28
Chargement de l'outil	29
Fonctionnement de l'outil	30
Vérification du fonctionnement de l'outil	31
Entretien de l'outil pneumatique	31
Dépannage	32
Liste des vérifications d'entretien	33
Autres produits Bostitch pour planchers	34

REMARQUE :

Les outils Bostitch ont été fabriqués afin d'offrir un degré de satisfaction de la clientèle très élevé et sont conçus pour atteindre une performance maximale lorsqu'utilisés avec les attaches Bostitch de précision fabriquées avec les mêmes normes élevées. **Bostitch ne peut être tenu responsable de la performance du produit si les outils sont utilisés avec des attaches ou des accessoires ne répondant pas strictement aux exigences établies pour les clous, agrafes et accessoires d'origine Bostitch.**



GARANTIE LIMITÉE – É.-U. et Canada seulement

En vigueur le 1er décembre 2005, Bostitch, L.P. garantit à l'acheteur au détail original que le produit est exempt de tout défaut de matériau et de main-d'œuvre, et accepte de réparer ou de remplacer, à la discrétion de Bostitch, toute agrafeuse ou cloueuse pneumatique Bostitch pour une période de sept (7) ans à compter de la date d'achat (un (1) an à compter de la date d'achat pour les compresseurs et les outils utilisés pour des applications de production). La garantie est incessible. La preuve de la date d'achat est requise. La présente garantie couvre uniquement les dommages résultant de défauts de matériau ou de main-d'œuvre, et ne couvre pas les conditions ou les mauvais fonctionnements découlant de l'usure normale, la négligence, l'abus, les accidents ou les tentatives de réparation effectuées par quelqu'un d'autre que notre centre de réparation national ou les centres de service de garantie autorisés. Les lames du mandrin, les amortisseurs, les joints toriques et les segments de piston sont normalement considérés comme des pièces d'usure. Pour une performance optimale de votre outil Bostitch, utilisez toujours des attaches et des pièces de rechange d'origine Bostitch.

LA PRÉSENTE GARANTIE REMPLACE TOUTE AUTRE GARANTIE, EXPLICITE OU TACITE, Y COMPRIS MAIS SANS S'Y LIMITER LES GARANTIES TACITES DE QUALITÉ MARCHANDE ET D'ADÉQUATION POUR UNE UTILISATION PRÉCISE. BOSTITCH NE SERA PAS TENU RESPONSABLE DE QUELQUE DOMMAGE ACCESSOIRE OU IMMATÉRIEL QUE CE SOIT.

Certains États ne permettent pas de limitation de la durée d'une garantie tacite ni l'exclusion de dommages accessoires ou immatériels, de sorte que la limitation ou l'exclusion pourrait ne pas s'appliquer à vous. La présente garantie vous donne des droits légaux spécifiques et vous pourriez aussi bénéficier d'autres droits variant d'un État à l'autre et d'un pays à l'autre.

Pour obtenir le service de garantie aux É.-U., faites parvenir le produit avec la preuve d'achat au centre de service de garantie national de Bostitch ou à un centre de service de garantie autorisé indépendant régional. Aux É.-U., vous pouvez aussi appeler le 1-800-556-6696 ou visiter www.BOSTITCH.com pour trouver l'emplacement le plus pratique pour vous. Au Canada, veuillez appeler le 1-800-567-7705 ou visiter www.BOSTITCH.com

CONSIGNES DE SÉCURITÉ

ATTENTION:

DES LUNETTES DE SÉCURITÉ se conformant aux normes ANSI et qui protègent des particules projetées du côté **FRONTAL** ainsi que du côté **LATÉRAL** doivent **TOUJOURS** être portées par l'opérateur et toute autre personnes se trouvant dans la zone de travail lors d'une connexion à l'alimentation d'air, du chargement, de fonctionnement ou de l'entretien de cet outil. Une telle protection est indispensable pour vous protéger contre les attaches et débris projetés, susceptibles d'entraîner des blessures sérieuses.



L'employeur et/ou l'utilisateur doivent s'assurer que les lunettes de sécurité appropriées sont portées. L'équipement de protection doit être conforme à la norme ANSI Z87.1 et fournir une protection frontale et latérale. **REMARQUE** : Les lunettes sans protection latérale et les masques faciaux ne fournissent pas la protection nécessaire.



ATTENTION : Des articles de sécurité additionnels devront être portés dans certains environnements. Par exemple, la zone de travail peut comporter une exposition à un niveau de bruit qui pourrait entraîner une diminution de l'acuité auditive. L'employeur et l'utilisateur doivent s'assurer qu'une protection de l'ouïe est fournie et utilisée par l'opérateur et toute autre personne dans la zone de travail. Certains environnements nécessitent l'utilisation d'équipement de protection de la tête. Lorsque requis, l'employeur et l'utilisateur doivent s'assurer qu'une protection de la tête se conformant à la norme ANSI Z89.1 est utilisée.

ALIMENTATION D'AIR ET CONNEXIONS

ATTENTION:

N'utilisez pas d'oxygène, de gaz combustibles ou de gaz en bouteille comme source d'alimentation pour cet outil puisque cela peut causer l'explosion de l'outil et causer des blessures.

ATTENTION:

N'utilisez pas des sources d'alimentation pouvant excéder 14 kg/cm² (200 psi) car cela peut causer l'éclatement de l'outil et causer des blessures.

ATTENTION:

Le connecteur de l'outil ne doit pas être sous pression lorsque l'outil est déconnecté. Si un raccord incorrect est utilisé, l'outil peut demeurer sous pression après avoir été déconnecté et pourrait donc décharger une attache même une fois la conduite d'air déconnectée et causer des blessures.

ATTENTION:

N'appuyez pas sur la gâchette et n'appuyez pas sur le bras de contact alors qu'il est connecté à l'alimentation d'air, car l'outil pourrait alors être actionné et causer des blessures.

ATTENTION:

Veillez à toujours déconnecter l'alimentation d'air : 1.) Avant de procéder à des ajustements; 2.) Au moment de réparer l'outil; 3.) Au moment de dégager un blocage; 4.) Lorsque l'outil n'est pas utilisé; 5.) Au moment de se déplacer vers une zone de travail différente, puisque l'outil pourrait être actionné accidentellement et causer des blessures.

CHARGEMENT DE L'OUTIL

ATTENTION:

Au moment de charger l'outil : 1.) Ne placez jamais la main ou toute autre partie du corps dans la région de décharge d'attache de l'outil; 2.) Ne dirigez jamais l'outil vers quelqu'un; 3.) N'appuyez pas sur la gâchette et n'appuyez pas sur le déclencheur puisqu'il pourrait être actionné accidentellement et causer des blessures.

FONCTIONNEMENT

ATTENTION:

Veillez à toujours manipuler l'outil avec précaution : 1.) Ne vous chahutez jamais; 2.) N'appuyez jamais sur la gâchette sans que le nez de pose soit dirigé vers la surface de travail; 3.) Maintenez les autres à une distance sécuritaire alors que l'outil fonctionne puisqu'il pourrait être actionné accidentellement et causer des blessures.

ATTENTION:

L'opérateur ne doit pas maintenir la gâchette enfoncée sur les outils à bras de contact sauf lors des opérations d'attache puisque de graves blessures peuvent être causées si le déclencheur entraine en contact avec quelqu'un ou quelque chose accidentellement, ce qui pourrait actionner l'outil.

ATTENTION:

Ne placez jamais la main ou le corps dans la zone de décharge de l'outil. Un outil à bras de contact peut rebondir en raison du recul causé au moment de tirer une attache et une deuxième attache pourrait être tirée inopinément et causer des blessures.

ATTENTION:

Vérifiez fréquemment le fonctionnement du mécanisme du bras de contact. N'utilisez pas l'outil si le bras ne fonctionne pas correctement puisque cela peut causer le tir accidentel d'une attache. Ne gênez pas le fonctionnement approprié du mécanisme de bras de contact.

ATTENTION:

Ne tirez pas d'attache sur une autre attache ou alors que l'outil est à un trop grand angle, car cela peut causer une déflexion de l'attache et causer des blessures.

ATTENTION:

Ne tirez pas d'attache trop près du bord de la pièce de travail, car le bois pourrait fendre et entraîner la déflexion de l'attache et causer des blessures.

ATTENTION:

La cloueuse produit des **ÉTINCELLES** lors du fonctionnement. N'utilisez **JAMAIS** la cloueuse près de substances inflammables, de gaz ou de vapeurs, y compris la laque, la benzine, le diluant, l'essence, les adhésifs, les mastics, les colles ou de tout autre matériau qui est – ou dont les vapeurs, les émanations ou les sous-produits sont – inflammables, combustibles ou explosifs. L'utilisation de la cloueuse dans un tel environnement pourrait mener à une **EXPLOSION** pouvant causer des blessures ou le décès de l'utilisateur ou de personnes à proximité.

ENTRETIEN DE L'OUTIL

ATTENTION:

Prenez note des avertissements de ce manuel lorsque vous travaillez avec des outils pneumatiques et prenez toutes les précautions possibles lorsque vous évaluez les outils à problèmes.

SPÉCIFICATIONS DE L'OUTIL

Les mesures sont métriques suivies de mesures impériales entre parenthèses.

	EHF1838K	LHF2025K
Description	Agrafeuse à plancher de calibre 18	Agrafeuse à plancher de calibre 20
Type de moteur	Sans huile	Sans huile
Plage de pression de fonctionnement	4.9 to 8.43kg/cm ² (70-120 PSI)	4.9 to 8.43 kg/cm ² (70-120 PSI)
Pression de fonctionnement maximale	8.43 kg/cm ² (120 PSI)	8.43 kg/cm ² (120 PSI)
Type d'attache	Séries SX5035	SB97-1GLS
Calibre d'attache	Calibre 18	Calibre 20
Plage d'attache	25mm-38mm (1" - 1-1/4")	25mm (1/2")
Capacité du magasin	100	125
Longueur	235mm (9-1/4")	235mm (9-1/4")
Largeur	69.9mm (2-3/4")	69.9mm (2-3/4")
Hauteur	250.8mm (9-7/8")	215.9mm (8.5")
Poids	1.57kg (3.47lbs.)	1.32kg (2.9lbs.)

Pression de fonctionnement :

4,9 à 8,43 kg/cm² (70 à 120 psi). Pour une meilleure performance de l'outil, sélectionnez la pression de fonctionnement dans cette plage.


NE DÉPASSEZ PAS LA PRESSION DE FONCTIONNEMENT RECOMMANDÉE.

Consommation d'air :

Le modèle EHF1838K exige 1,94 pi³/min ou un volume minimal de 54,93 litres par minute ou l/min) à une pression de 5,6 k/cm² (80 psi) pour fonctionner selon un rendement de 60 attaches par minute. Le modèle LHF2025K exige 1,90 pi³/min ou un volume minimal de (53,8 litres par minute ou l/min) à une pression de 5,6 k/cm² (80 psi) pour fonctionner selon un rendement de 60 attaches par minute. Afin de déterminer la dimension correcte de compresseur d'air, utilisez le débit réel auquel l'outil fonctionnera et comparez-le au volume de l/min (pi³/min) requis à l'alimentation en air libre des compresseurs (l/min/pi³/min) à 5,6 kg/cm² (80 psi).

Ainsi, pour un débit de 30 agrafes par minute, vous aurez besoin de 50 % du volume en l/min (pi³/min) requis pour faire fonctionner l'outil à un débit de 60 attaches par minute. Dans ce cas, assurez-vous que votre compresseur d'air peut fournir un volume minimal de 27,47 l/min (0,97 pi³/min) à 5,6 kg/cm² (80 psi) pour une performance optimale.

CARACTÉRISTIQUES DES ATTACHES

Modèle d'outil	Type d'attache	N° stock de l'attache	Largeur de couronne	Calibre	Longueur
EHF1838K	 Agrafes	SX50351G	5.5 mm (7/32")	18	25mm (1")
		SX50351-1/8G	5.5 mm (7/32")	18	28mm (1-1/8")
		SX50351-3/16G	5.5 mm (7/32")	18	30mm (1-3/16")
		SX50351-1/4G	5.5 mm (7/32")	18	32mm (1-1/4")
		SX50351-3/8G	5.5 mm (7/32")	18	35mm (1-3/8")
LHF2025K	Agrafes	SX50351-1/2G	5.5 mm (7/32")	18	38mm (1-1/2")
		SB97-1GLS	4.7mm (3/16")	20	25mm (1")

* Les agrafes en acier inoxydable sont aussi disponibles dans certaines tailles. Visitez www.BOSTITCH.com pour plus détails.

REMARQUE :

Les outils Bostitch ont été fabriqués afin d'offrir un degré de satisfaction de la clientèle supérieur et sont conçus pour atteindre une performance maximale lorsqu'utilisés avec les attaches BOSTITCH de précision fabriquées avec les mêmes normes élevées. **BOSTITCH ne garantit pas les performances de vos outils s'ils sont utilisés avec des dispositifs de fixation ou accessoires ne répondant pas strictement aux exigences établies pour les clous, attaches et accessoires d'origine BOSTITCH.**

ALIMENTATION D'AIR ET CONNEXIONS

ATTENTION: *N'utilisez pas d'oxygène, de gaz combustibles ou de gaz en bouteille comme source d'alimentation pour cet outil puisque cela peut causer l'explosion de l'outil et causer des blessures.*

RACCORDS :

Installez une prise mâle sur l'outil laquelle est mobile et libérera la pression d'air de l'outil lorsque déconnecté de la source d'alimentation.

TUYAUX SOUPLES :

Les tuyaux d'air souples doivent avoir une pression minimale de 10,6 kg/cm² (150 psi) de pression de fonctionnement ou 150 pour cent de la pression maximale qui pourrait être produite dans le système d'air. Le tuyau d'alimentation doit comporter un raccord qui permettra un « débranchement rapide » de la prise mâle de l'outil.

SOURCE D'ALIMENTATION :

N'utilisez que de l'air comprimé régulé comme source d'alimentation pour cet outil. **N'UTILISEZ JAMAIS D'OXYGÈNE, DE GAZ COMBUSTIBLE OU DE GAZ EN BOUTEILLE COMME SOURCE D'ALIMENTATION POUR CET OUTIL, CAR CELA PEUT FAIRE EXPLOSER L'OUTIL.**

RÉGULATEUR :

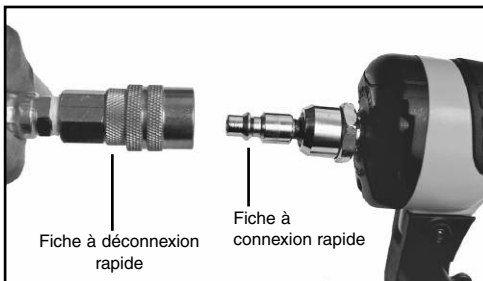
Un régulateur de pression avec une pression de fonctionnement de 0 à 8,79 kg/cm² (0 à 125 psi) est requis afin de contrôler la pression de fonctionnement pour un fonctionnement sécuritaire de cet outil. Ne connectez pas cet outil à une pression d'air qui pourrait dépasser 14 kg/cm² (200 psi) car l'outil pourrait se éclater et causer des blessures

PRESSION DE FONCTIONNEMENT :

Ne dépassez pas la pression de fonctionnement maximale recommandée, sinon l'usure de l'outil en sera grandement augmentée. L'alimentation d'air doit être en mesure de maintenir la pression de fonctionnement de l'outil. Une baisse de pression subite de l'alimentation d'air est susceptible de réduire la puissance motrice de l'outil. Consultez les « SPÉCIFICATIONS DE L'OUTIL » pour régler correctement la pression de fonctionnement de l'outil.

FILTRE :

La saleté et l'eau dans l'alimentation d'air sont des causes majeures d'usure dans les outils pneumatiques. Un filtre aidera à maintenir la meilleure performance et une usure minimale de l'outil. Le filtre doit avoir une capacité d'écoulement adéquate pour l'installation en question. Le filtre doit être maintenu propre pour être efficace et fournir de l'air comprimé propre à l'outil. Consultez les instructions du fabricant concernant l'entretien de votre filtre. Un filtre sale et obstrué causera une baisse de pression, ce qui réduira la performance de l'outil.



CHARGEMENT DE LA EHF1838K ET DE LA LHF2025K

ATTENTION:



DES LUNETTES DE SÉCURITÉ se conformant aux normes ANSI et qui protègent des particules projetées du côté **FRONTAL** ainsi que du côté **LATÉRAL** doivent **TOUJOURS** être portées par l'opérateur et toute autre personne se trouvant dans la zone de travail lors d'une connexion à l'alimentation d'air, du chargement, de fonctionnement ou de l'entretien de cet outil. Une telle protection est indispensable pour vous protéger contre les attaches et débris projetés, susceptibles d'entraîner des blessures sérieuses.

L'employeur et/ou l'utilisateur doivent s'assurer que les lunettes de sécurité appropriées sont portées. L'équipement de protection doit être conforme à la norme ANSI Z87.1 et fournir une protection frontale et latérale. **REMARQUE** : Les lunettes sans protection latérale et les masques faciaux ne fournissent pas la protection nécessaire.

ATTENTION:

AFIN DE PRÉVENIR LES BLESSURES ACCIDENTELLES :

- Ne placez jamais la main ou toute autre partie du corps dans la zone de décharge d'attaches de l'outil alors que l'alimentation d'air est raccordée.
- Ne pointez jamais l'outil vers une autre personne.
- Ne chahutez jamais.
- N'appuyez jamais sur la gâchette sans que le nez de pose soit dirigé vers la surface de travail.
- Veillez à toujours manipuler l'outil avec précaution.
- N'appuyez pas sur la gâchette ou le déclencheur pendant le chargement de l'outil.

CHARGEMENT DE LA EHF1838K & LHF2025K

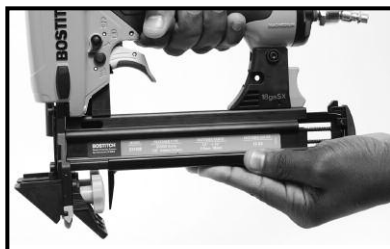
1. Appuyez sur le bouton d'ouverture du magasin et tirez le magasin vers l'arrière.



2. Ouvrez le magasin complètement et tournez l'outil de côté en dirigeant la zone de décharge loin de vous et des autres personnes. Chargez les agrafes dans la rainure.



3. Poussez le magasin vers l'avant jusqu'à ce que le loquet s'enclenche.



FONCTIONNEMENT DE L'OUTIL



Des **LUNETTES DE SÉCURITÉ** conformes aux normes ANSI et qui protègent des particules projetées du côté **FRONTAL** ainsi que du côté **LATÉRAL** doivent **TOUJOURS** être portées par l'opérateur et toute autre personne se trouvant dans la zone de travail lors du raccordement à l'alimentation d'air, du chargement, de fonctionnement ou de l'entretien de cet outil. Une telle protection est indispensable pour vous protéger contre les attaches et débris projetés, susceptibles d'entraîner des blessures sérieuses.

ATTENTION:

L'employeur et/ou l'utilisateur doivent s'assurer que les lunettes de sécurité appropriées sont portées. L'équipement de protection doit être conforme à la norme ANSI Z87.1 et fournir une protection frontale et latérale. **REMARQUE :** Des lunettes sans protection latérale et des masques faciaux ne fournissent pas la protection nécessaire.

PRÉALABLEMENT À LA MANIPULATION OU À L'UTILISATION DE CET OUTIL :

- I. **VEILLEZ À LIRE ET COMPRENDRE LES AVERTISSEMENTS CONTENUS DANS CE MANUEL.**
- II. **REPORTEZ-VOUS À LA « FICHE TECHNIQUE DE L'OUTIL » DU PRÉSENT MANUEL AFIN D'IDENTIFIER LE SYSTÈME DE FONCTIONNEMENT SUR VOTRE OUTIL.**

MODE DE DÉCLENCHEMENT

ATTENTION:

L'opérateur ne doit pas maintenir la gâchette enfoncée sur les outils à déclenchement sur contact sauf lors des opérations d'attache puisque de graves blessures peuvent être causées si le déclencheur entraîne en contact avec quelqu'un ou quelque chose accidentellement, ce qui pourrait actionner l'outil.

ATTENTION:

Ne placez jamais la main ou le corps dans la zone de décharge de l'outil. Un outil à déclencheur de contact peut rebondir en raison du recul causé au moment de tirer une attache et une deuxième attache pourrait être tirée inopinément et causer des blessures.

FONCTIONNEMENT EN MODE DÉCLENCHEMENT SÉQUENTIEL :

En MODE DÉCLENCHEMENT SÉQUENTIEL, le déclencheur de contact fonctionne en conjonction avec la gâchette pour tirer une attache. Pour faire fonctionner un outil à déclenchement séquentiel, positionnez d'abord le déclencheur de contact sur la surface de travail, **SANS APPUYER SUR LA GÂCHETTE**. Appuyez le déclencheur de contact contre la surface de travail, puis appuyez sur la gâchette pour tirer une attache. Aussi longtemps que le déclencheur de contact est en contact avec la surface de travail et est maintenu enfoncé, l'outil tirera une attache chaque fois que la gâchette est appuyée. Si le déclencheur de contact arrête d'être en contact avec la surface de travail, la séquence décrite ci-dessus doit être répétée afin d'enfoncer une autre attache.

EN PLUS DES AUTRES AVERTISSEMENTS CONTENUS DANS CE MANUEL, VEILLEZ À OBSERVER LES PRÉCAUTIONS SUIVANTES :

- *N'utilisez jamais l'outil pneumatique BOSTITCH dans un but autre que celui pour lequel il a été conçu.*
- *N'orientez jamais l'outil de façon à ce qu'il puisse éjecter une attache en direction de l'utilisateur ou d'autres personnes dans la zone de travail.*
- *N'utilisez jamais l'outil comme un marteau.*
- *Veillez à toujours transporter l'outil à l'aide de la poignée. Ne transportez jamais l'outil par le conduit d'air.*
- *N'altérez pas ni ne modifiez la conception ou la fonction originales de l'outil sans en recevoir l'autorisation de BOSTITCH, INC.*
- *Gardez toujours présent à l'esprit qu'une utilisation ou une manipulation incorrecte de cet outil sont susceptibles d'occasionner des blessures à vous-même et à d'autres personnes.*
- *N'attachez jamais et ne collez jamais avec du ruban en position actionnée la gâchette ou le déclencheur de contact.*
- *Ne laissez jamais un outil sans surveillance avec le conduit d'air attaché.*
- *Ne faites pas fonctionner l'outil s'il ne comporte pas une ÉTIQUETTE D'AVERTISSEMENT lisible.*
- *Cessez d'utiliser l'outil en cas de fuite d'air ou s'il ne fonctionne pas correctement. Avisez votre représentant Bostitch le plus proche si votre outil continue de mal fonctionner.*

VÉRIFICATION DU FONCTIONNEMENT DE L'OUTIL

ATTENTION : Retirez toutes les attaches de l'outil avant d'effectuer une vérification du fonctionnement de l'outil.

FONCTIONNEMENT EN MODE DÉCLENCHEMENT SÉQUENTIEL :

- A. Appuyez le déclencheur de contact contre la surface de travail, sans toucher la gâchette.
L'OUTIL NE DOIT PAS ÊTRE ACTIONNÉ.
- B. Retirez l'outil de la surface de travail et appuyez sur la gâchette.
L'OUTIL NE DOIT PAS ÊTRE ACTIONNÉ.
Relâchez la gâchette. La gâchette doit revenir à l'arrêt de gâchette sur le bâti.
- C. Appuyez sur la gâchette et appuyez le déclencheur de contact contre la surface de travail.
L'OUTIL NE DOIT PAS ÊTRE ACTIONNÉ.
- D. En enlevant votre doigt de sur la gâchette, appuyez le déclencheur de contact contre la surface de travail.
Appuyez sur la gâchette.
L'OUTIL DOIT ÊTRE ACTIONNÉ.

ENTRETIEN DE L'OUTIL PNEUMATIQUE

ATTENTION: Prenez note des avertissements de ce manuel lorsque vous travaillez avec des outils pneumatiques et prenez toutes les précautions possibles lorsque vous évaluez les outils à problèmes.

ATTENTION : Ressort du pousseur (ressort à force constante) Faites preuve de prudence lorsque vous travaillez avec l'assemblage du ressort. Le ressort est embobiné autour d'un rouleau, mais sans y être attaché. Si le ressort est détendu au-delà de sa longueur, le bout se décrochera du rouleau et le ressort se contractera d'un coup, et pourrait pincer votre main. Les bords du ressort sont très minces et peuvent vous couper. Vous devez aussi faire attention que des nœuds permanents ne se forment pas dans le ressort puisque cela affaiblirait la force du ressort.

PIÈCES DE RECHANGE :

N'utilisez que de pièces de rechange d'origine Bostitch. N'utilisez pas de pièces modifiées.

PROCÉDURE D'ASSEMBLAGE DES JOINTS :

Lorsque vous réparez un outil, assurez-vous que les pièces internes sont propres et lubrifiées. Utilisez du Parker "O"-LUBE, Magnalube ou l'équivalent sur tous les joints toriques. Enduisez chaque joint torique de lubrifiant avant l'assemblage.

ALIMENTATION D'AIR-PRESSION ET VOLUME :

Le volume d'air est aussi important que la pression d'air. Le volume d'air fourni à l'outil peut être inadéquat en raison de garnitures et conduits trop justes, ou en raison de la présence de poussière ou d'eau dans le système. Un débit d'air restreint empêchera que l'outil reçoive suffisamment d'air, même si la pression est haute. Il en résulte un fonctionnement ralenti, un défaut d'alimentation ou une force motrice réduite. Avant d'évaluer les problèmes d'outils pour ces symptômes, localisez le parcours de l'alimentation d'air de l'outil à la source d'alimentation afin d'identifier les connecteurs restrictifs, les points bas contenant de l'eau et toute autre obstruction qui pourrait empêcher l'écoulement du plein volume d'air vers l'outil.

DÉPANNAGE

PROBLÈME

CAUSE

SOLUTION

De l'air s'échappe du compartiment de soupape de la gâchette

Le joint torique est coupé ou craquelé Remplacez le joint torique

La tige de soupape de la gâchette laisse fuir de l'air.

Le joint torique est coupé ou craquelé Remplacez la soupape de la gâchette

Fuite d'air du châssis/nez de pose

Le joint torique ou étanche est coupé Remplacez le joint torique ou étanche ou craquelé
L'amortisseur est craquelé ou usé Remplacez l'amortisseur

Fuite d'air du châssis/capuchon

Joint endommagé Remplacez le joint
Soupape craquelée ou usée Remplacez la soupape
Vis d'assemblage desserrées Resserrez et vérifiez de nouveau

Cycle non amorcé

Il y a restriction dans l'alimentation d'air Vérifiez l'équipement d'alimentation d'air
Soupape usée Remplacez la soupape
Ressort de capuchon de cylindre brisé Remplacez le ressort de capuchon de cylindre
Soupape coincée dans le capuchon Désassemblez / Vérifiez / Lubrifiez

Manque de puissance, l'outil tourne au ralenti

Ressort de capuchon de cylindre brisé Remplacez le ressort de capuchon
Les segments ou les joints sont coupés Remplacez les segments ou les joints ou craquelés
Échappement bloqué Vérifiez l'amortisseur, le ressort de soupape
L'assemblage de la gâchette est trop usé Remplacez l'assemblage ou fuit
Des impuretés se sont accumulées sur Démontez le nez de pose et le mandrin afin de les nettoyer le mandrin
La chemise du cylindre n'appuie pas comme il faut sur l'amortisseur du fond Démontez afin de corriger le problème
La pression d'air est trop basse Vérifiez l'équipement d'alimentation d'air
Filtre à air obstrué Nettoyer ou remplacer le filtre à air

L'outil saute des attaches; l'alimentation est intermittente

L'amortisseur est usé Remplacez l'amortisseur
Du godron/des impuretés se sont accumulés Démontez le nez de pose et le mandrin afin de les nettoyer dans la rainure du mandrin
Alimentation d'air restreinte ou débit d'air inadéquat dans la douille de débranchement rapide et la fiche Remplacez les raccords de débranchement rapide
Le segment de piston est usé Remplacez le segment, vérifiez le mandrin
Le ressort du poussoir est endommagé Remplacez le ressort
La pression d'air est basse Vérifiez le système d'alimentation d'air vers l'outil
Les vis du nez de pose du magasin Resserrez toutes les vis sont desserrées
Les attaches sont trop petites pour l'outil N'utilisez que les attaches recommandées
Attaches pliées Cessez d'utiliser ces attaches
Taille incorrecte des attaches N'utilisez que les attaches recommandées
Le joint statique fuit Serrez les vis et remplacez le joint statique
Le joint torique de la soupape de Remplacez le joint torique
déclenchement est coupé ou trop usé
Le mandrin est cassé ou détérioré Remplacez le mandrin (vérifiez le segment de piston)
Le magasin est sale ou trop peu lubrifié Nettoyez et lubrifiez et utilisez le lubrifiant pour outil pneumatique BOSTITCH
Le magasin est trop usé Remplacez le magasin
Filtre à air obstrué Nettoyer ou remplacer le filtre à air

Attaches coincées dans l'outil

La rainure du mandrin est usée Remplacez le nez de pose, vérifiez la porte
Taille incorrecte des attaches N'utilisez que les attaches recommandées
Attaches pliées Cessez d'utiliser ces attaches
Les vis du nez de pose ou magasin Resserrez toutes les vis sont desserrées
Le mandrin est cassé ou détérioré Remplacez le mandrin

LISTE DE VÉRIFICATION POUR L'ENTRETIEN

Entretien	Bienfait	Procédure	Intervalle de service
Inspectez la performance de la gâchette	Assurez-vous que le système de gâchette est en bon état de marche	Reportez-vous à la section Vérification du fonctionnement de l'outil du présent manuel	Chaque jour
Drainez le condensat des réservoirs de compresseur d'air et des filtres à air (si installés)	Prévient l'accumulation de l'humidité qui peut affaiblir la performance de l'outil	Ouvrez les robinets de purge des réservoirs et des filtres à air et drainez-en tout le condensat	Chaque jour
Nettoyez l'assemblage du magasin	Prévient l'accumulation de débris qui pourraient causer un blocage	Nettoyez au jet d'air comprimé	Chaque jour
Nettoyez l'assemblage du nez de pose	Prévient l'accumulation de débris qui pourraient causer un blocage	Nettoyez au jet d'air comprimé	Chaque jour
Assurez-vous que toutes les pièces de fixation sont bien serrées	Prévient les pièces lâches	Serrez toutes les pièces de fixation à l'aide de la clé hex de la bonne taille	Chaque semaine
Vérifiez/nettoyez l'entrée d'air du filtre à air	Maintient un écoulement d'air approprié au moteur pour une performance optimale.	Enlevez le capuchon et utilisez un fusil à air comprimé afin de nettoyer le filtre. Remplacez le filtre lorsque nécessaire.	25,000 attaches ou tous les mois - si utilisé dans des endroits poussiéreux
Remplacez l'embout anti-marques	Prévient les marques sur les applications en bois mou	Enlevez l'embout anti-marques et remplacez-le par un nouvel embout (embout de rechange situé sur le magazine)	25 000 attaches
Remplacez le raccord d'air à rotule	Maintient un écoulement d'air approprié au moteur pour une performance optimale	Enlevez le raccord d'air à rotule usé et remplacez-le par un raccord d'air à rotule neuf	50 000 attaches
Remplace l'assemblage piston-entraînement	Maintient la qualité de l'entraînement	Reportez-vous aux instructions de l'ensemble de pièces de rechange	150 000 attaches
Remplacez les joints toriques	Maintient la performance optimale du moteur	Reportez-vous aux instructions de l'ensemble de pièces de rechange	250 000 attaches
Remplacez l'amortisseur	Maintient la performance optimale du moteur	Reportez-vous aux instructions de l'ensemble de pièces de rechange	250 000 attaches
Remplacez la soupape	Maintient la performance optimale du moteur	Reportez-vous aux instructions de l'ensemble de pièces de rechange	250 000 attaches
Remplace le cylindre de moteur	Maintient la performance optimale du moteur	Reportez-vous aux instructions de l'ensemble de pièces de rechange	500 000 attaches

AUTRES PRODUITS BOSTITCH POUR PLANCHERS



MIIFS
AGRAFES À PLANCHER
DE CALIBRE 15,5



MIIFN
AGRAFEUSE À PLANCHER
CALIBRE 16



MFN-201
AGRAFEUSE À PLANCHER
MANUELLE DE CALIBRE 20



PRO-3850
TUYAU À AIR EN
POLYURÉTHANE DE PREMIÈRE
QUALITÉ DE 9,5 MM X 15 MM
(3/8 PO X 50 PI)



PRO-1450
TUYAU À AIR EN
POLYURÉTHANE DE PREMIÈRE
QUALITÉ DE 6,4 MM X 15 MM,
(1/4 PO X 50 PI)



HFM-3
MAILLET EN BOIS DUR ET
LISSE DE 37,6 CM, 1,27 KILO

Free Manuals Download Website

<http://myh66.com>

<http://usermanuals.us>

<http://www.somanuals.com>

<http://www.4manuals.cc>

<http://www.manual-lib.com>

<http://www.404manual.com>

<http://www.luxmanual.com>

<http://aubethermostatmanual.com>

Golf course search by state

<http://golfingnear.com>

Email search by domain

<http://emailbydomain.com>

Auto manuals search

<http://auto.somanuals.com>

TV manuals search

<http://tv.somanuals.com>