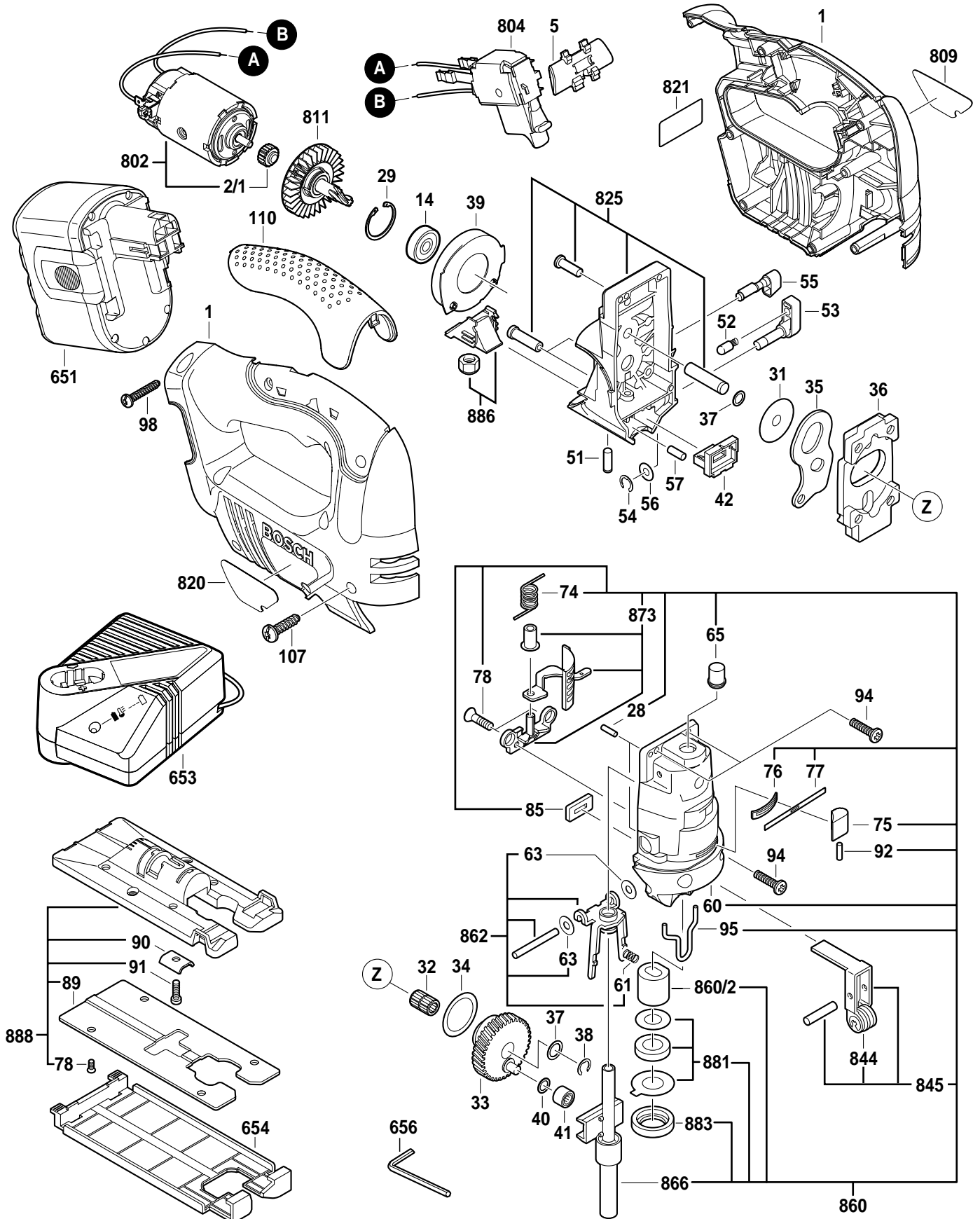


BOSCH

September 2002
INDUSTRIAL

14.4V JIGSAW
Model 0601598460

52314



52314 14.4V JIGSAW

| Pos. | Part Number | Description {Qty.} | F/C | Pos. | Part Number | Description {Qty.} | F/C |
|------|---------------|--------------------|-----|-------|---------------|------------------------|-----|
| 1 | 2 605 105 016 | Housing | 71 | 91 | 2 910 141 197 | Screw | 89 |
| 2/1 | 2 606 490 088 | Clutch | 67 | 92 | 2 603 101 050 | Pin | 66 |
| 5 | 2 601 099 120 | Lever | 9 | 94 | 2 603 410 049 | Screw {4} | 89 |
| 14 | 2 600 905 095 | Ball Bearing | 61 | 95 | 2 603 101 046 | Guard | 92 |
| 28 | 1 903 201 042 | Pin {2} | 66 | 98 | 2 914 201 668 | Screw | 89 |
| 29 | 2 916 669 008 | Retaining Ring | 89 | 107 | 2 914 201 707 | Screw {7} | 89 |
| 31 | 2 600 101 048 | Shim | 65 | 110 | 2 608 040 204 | Cover | 74 |
| 32 | 2 600 913 007 | Needle Bearing | 56 | 651 | 2 610 908 568 | Battery 14.4V | 18 |
| 33 | 2 606 320 088 | Eccentric Gear | 34 | + 652 | 2 609 100 101 | Battery Cap | 9 |
| 34 | 2 600 102 614 | Shim | 65 | 653 | 2 607 224 431 | Multi-Volt Charger | 18 |
| 35 | 2 601 923 010 | Lever | 9 | 654 | 2 608 000 184 | Overshoe | 9 |
| 36 | 2 601 098 032 | Counterweight | 68 | 656 | 1 907 950 006 | Allen Wrench | 9 |
| 37 | 2 600 101 047 | Shim {2} | 65 | 802 | 2 607 022 881 | Motor Assembly | 19 |
| 38 | 2 916 080 909 | Circlip | 89 | | | w/pos. 2/1 | |
| 39 | 2 600 290 051 | Air Deflector | 24 | 804 | 2 607 200 421 | Switch | 17 |
| 40 | 2 600 200 038 | Washer | 65 | 809 | 2 601 116 173 | Label | 9 |
| 41 | 2 600 917 900 | Needle Bearing | 56 | 811 | 2 606 445 901 | Coupling | 33 |
| 42 | 2 602 305 050 | Insert | 9 | 820 | 2 601 116 130 | Label | 9 |
| 51 | 2 603 105 053 | Pin | 66 | 821 | 2 601 116 170 | Nameplate | 9 |
| 52 | 2 600 590 006 | Cap/Spring | 80 | 825 | 2 605 806 896 | Gear Housing Assembly | 72 |
| 53 | 2 602 026 063 | Lever | 64 | | | w/pos. 57 | |
| 54 | 2 916 080 008 | Circlip | 89 | 844 | 2 600 326 904 | Roller | 87 |
| 55 | 2 602 026 065 | Lever | 64 | 845 | 2 601 321 904 | Roller Guide Assembly | 87 |
| 56 | 2 600 100 607 | Shim | 65 | | | w/pos. 85, 844 | |
| 57 | 2 603 100 069 | Pin | 66 | 860 | 2 605 808 927 | Gear Cover Assembly | 70 |
| 60 | 2 605 808 081 | Gear Cover | 70 | 860/2 | 2 600 301 037 | Bushing | 51 |
| 61 | 2 604 610 042 | Spring {2} | 27 | 862 | 2 601 322 900 | Guide Bracket Assembly | 62 |
| 63 | 2 600 101 095 | Shim {2} | 65 | | | w/pos. 61, 63 | |
| 65 | 2 601 015 064 | Seal | 77 | 866 | 2 600 780 911 | Plunger Assembly | 52 |
| 74 | 2 604 651 011 | Spring | 27 | 873 | 2 601 990 903 | Plate Assembly | 9 |
| 75 | 2 600 591 010 | Cap | 64 | | | w/pos. 75, 92 | |
| 76 | 2 601 015 065 | Seal | 77 | 881 | 2 600 290 902 | Seal Assembly | 77 |
| 77 | 2 601 016 079 | Plate | 9 | 883 | 2 600 202 037 | Retaining Ring | 89 |
| 78 | 2 914 439 402 | Screw {6} | 89 | 886 | 2 605 500 911 | Nut Assembly | 89 |
| 85 | 2 601 015 057 | Gasket | 79 | 888 | 2 608 000 920 | Base Plate Assembly | 88 |
| 89 | 2 601 098 082 | Base Plate | 88 | | | w/pos. 78, 89, 90, 91 | |
| 90 | 2 601 030 022 | Plate | 9 | | | | |

Service Notes:

Free Manuals Download Website

<http://myh66.com>

<http://usermanuals.us>

<http://www.somanuals.com>

<http://www.4manuals.cc>

<http://www.manual-lib.com>

<http://www.404manual.com>

<http://www.luxmanual.com>

<http://aubethermostatmanual.com>

Golf course search by state

<http://golfingnear.com>

Email search by domain

<http://emailbydomain.com>

Auto manuals search

<http://auto.somanuals.com>

TV manuals search

<http://tv.somanuals.com>