

IMPORTANT:
Read Before Using

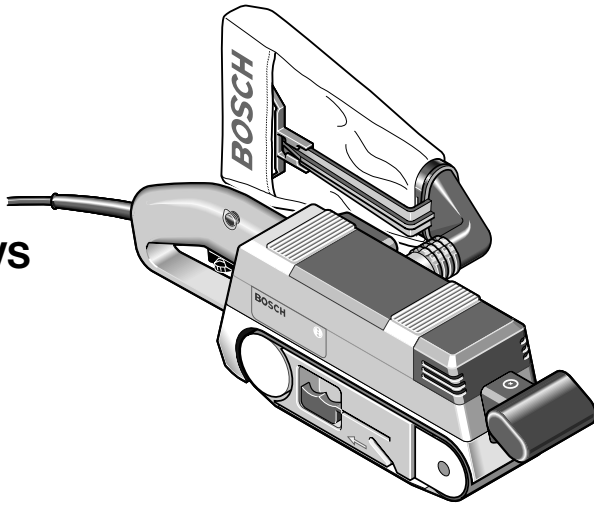
IMPORTANT :
Lire avant usage

IMPORTANTE:
Leer antes de usar



Operating/Safety Instructions
Consignes de fonctionnement/sécurité
Instrucciones de funcionamiento
y seguridad

1274DVS



BOSCH

Consumer Information
Renseignements des consommateurs
Información para el consumidor

Toll Free Number: **Appel gratuit :** **Número de teléfono gratuito:**
1-877-BOSCH99 (1-877-267-2499) <http://www.boschtools.com>

For English
See page 2

Parlez-vous français?
Voir page 11

¿Habla español?
Ver página 20

Power Tool Safety Rules

⚠ WARNING Read and understand all instructions. Failure to follow all instructions listed below, may result in electric shock, fire and/or serious personal injury.

SAVE THESE INSTRUCTIONS


Work Area

Keep your work area clean and well lit. Cluttered benches and dark areas invite accidents.

Do not operate power tools in explosive atmospheres, such as in the presence of flammable liquids, gases, or dust. Power tools create sparks which may ignite the dust or fumes.

Keep by-standers, children, and visitors away while operating a power tool. Distractions can cause you to lose control.

Electrical Safety

Double Insulated tools are equipped with a polarized plug (one blade is wider than the other.) This plug will fit in a polarized outlet only one way. If the plug does not fit fully in the outlet, reverse the plug. If it still does not fit, contact a qualified electrician to install a polarized outlet. Do not change the plug in any way. Double Insulation  eliminates the need for the three wire grounded power cord and grounded power supply system. *Before plugging in the tool, be certain the outlet voltage supplied is within the voltage marked on the nameplate. Do not use "AC only" rated tools with a DC power supply.*

Avoid body contact with grounded surfaces such as pipes, radiators, ranges and refrigerators. There is an increased risk of electric shock if your body is grounded. If operating the power tool in damp locations is unavoidable, a Ground Fault Circuit Interrupter must be used to supply the power to your tool. Electrician's rubber gloves and footwear will further enhance your personal safety.

Don't expose power tools to rain or wet conditions. Water entering a power tool will increase the risk of electric shock.

Do not abuse the cord. Never use the cord to carry the tools or pull the plug from an outlet. Keep cord away from heat, oil, sharp edges or moving parts. Replace damaged cords immediately. Damaged cords increase the risk of electric shock.

When operating a power tool outside, use an outdoor extension cord marked "W-A" or "W." These cords are rated for outdoor use and reduce the risk of electric shock. Refer to "Recommended sizes of Extension Cords" in the Accessory section of this manual.

Personal Safety

Stay alert, watch what you are doing and use common sense when operating a power tool. Do not use tool while tired or under the influence of drugs, alcohol, or medication. A moment of inattention while operating power tools may result in serious personal injury.

Dress properly. Do not wear loose clothing or jewelry. Contain long hair. Keep your hair, clothing, and gloves away from moving parts. Loose clothes, jewelry, or long hair can be caught in moving parts. Keep handles dry, clean and free from oil and grease.

Avoid accidental starting. Be sure switch is "OFF" before plugging in. Carrying tools with your finger on the switch or plugging in tools that have the switch "ON" invites accidents.

Remove adjusting keys or wrenches before turning the tool "ON". A wrench or a key that is left attached to a rotating part of the tool may result in personal injury.

Do not overreach. Keep proper footing and balance at all times. Proper footing and balance enables better control of the tool in unexpected situations.

Use safety equipment. Always wear eye protection. Dust mask, non-skid safety shoes, hard hat, or hearing protection must be used for appropriate conditions.

Tool Use and Care

Use clamps or other practical way to secure and support the workpiece to a stable platform. Holding the work by hand or against your body is unstable and may lead to loss of control.

Do not force tool. Use the correct tool for your application. The correct tool will do the

job better and safer at the rate for which it is designed.

Do not use tool if switch does not turn it "ON" or "OFF". Any tool that cannot be controlled with the switch is dangerous and must be repaired.

Disconnect the plug from the power source before making any adjustments, changing accessories, or storing the tool. Such preventive safety measures reduce the risk of starting the tool accidentally.

Store idle tools out of reach of children and other untrained persons. Tools are dangerous in the hands of untrained users.

Maintain tools with care. Keep cutting tools sharp and clean. Properly maintained tools, with sharp cutting edges are less likely to bind and are easier to control. Any alteration or modification is a misuse and may result in a dangerous condition.

Check for misalignment or binding of moving parts, breakage of parts, and any other condition that may affect the tools operation. If damaged, have the tool

serviced before using. Many accidents are caused by poorly maintained tools. Develop a periodic maintenance schedule for your tool.

Use only accessories that are recommended by the manufacturer for your model. Accessories that may be suitable for one tool, may become hazardous when used on another tool.

Service

Tool service must be performed only by qualified repair personnel. Service or maintenance performed by unqualified personnel could result in a risk of injury. For example: internal wires may be misplaced or pinched, safety guard return springs may be improperly mounted.

When servicing a tool, use only identical replacement parts. Follow instructions in the Maintenance section of this manual. Use of unauthorized parts or failure to follow Maintenance Instructions may create a risk of electric shock or injury. Certain cleaning agents such as gasoline, carbon tetrachloride, ammonia, etc. may damage plastic parts.

Belt Sander Safety Rules

Hold tool by insulated gripping surfaces when performing a operation where the cutting tool may contact hidden wiring or its own cord. Contact with a "live" wire will make exposed metal parts of the tool "live" and shock the operator.

If your tool is equipped with a dust bag, empty it frequently and after completion of sanding. Be extremely careful of dust disposal, materials in fine particle form may be explosive. Do not throw sanding dust on an open fire. Spontaneous combustion, may in time, result from mixture of oil or water with dust particles.

Use special precautions when sanding chemically pressure treated lumber, paint that may be lead based, or any other materials that may contain carcinogens. A suitable breathing respirator and protective clothing must be worn by all persons entering the work area. Work area should be sealed by plastic sheeting and persons not protected should be kept out until work area is thoroughly cleaned.

Do not wet sand with this sander. Liquids entering the motor housing is an electrical shock hazard.

Never leave the trigger locked "ON". Before plugging the tool in, check that the trigger lock is "OFF". Accidental start-ups could cause injury.

Unplug the sander before changing accessories. Accidental start-ups may occur if sander is plugged in while changing an accessory.

Keep your fingers and clothing away from the belt. They could get cut or wedged between the pulley, belt and motor housing.

Properly adjust tracking of belt to avoid it overhanging the housing. A running belt overhanging its housing can cause severe lacerations.

Be aware of the location and setting of the Switch "Lock-ON" Button. If the switch is locked "ON", be ready for emergency situations to switch it "OFF", by first pulling

the trigger then immediately releasing it without pressing the "Lock-ON" button.

Keep the cord to the side away from pulleys. The cord can be dragged into belt housing and become entangled with the pulleys.

Clamp or secure workpiece when sanding. Clamping the workpiece prevents it from being ejected from under the sander and leaves both hands to control the tool.

Clamp or secure sander if it is inverted and bench mounted for use as a table sander. Always use edge stop or guide when sanding short or small workpieces. Fingers or clothing can be dragged into pulley and housing area.

Portable belt sanders are not intended to be permanently mounted as a bench or table sander. There are accessories available which can convert certain portable belt sanders for occasional stationary use. If such accessories are used always clamp or secure sander when inverted and bench mounted for use as a table sander. Be aware of switch location and know how to shut off the tool in

emergency situations. Always follow directions included with the accessory. Use sanding fence, stop or guide when sanding short or small workpieces.




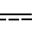
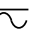

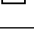
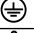

⚠ WARNING Some dust created by power sanding, sawing, grinding, drilling, and other construction activities contains chemicals known to cause cancer, birth defects or other reproductive harm. Some examples of these chemicals are:

- Lead from lead-based paints,
- Crystalline silica from bricks and cement and other masonry products, and
- Arsenic and chromium from chemically-treated lumber.

Your risk from these exposures varies, depending on how often you do this type of work. To reduce your exposure to these chemicals: work in a well ventilated area, and work with approved safety equipment, such as those dust masks that are specially designed to filter out microscopic particles.

Symbols

IMPORTANT: Some of the following symbols may be used on your tool. Please study them and learn their meaning. Proper interpretation of these symbols will allow you to operate the tool better and safer.

Symbol	Name	Designation/Explanation
V	Volts	Voltage (potential)
A	Amperes	Current
Hz	Hertz	Frequency (cycles per second)
W	Watt	Power
kg	Kilograms	Weight
min	Minutes	Time
s	Seconds	Time
∅	Diameter	Size of drill bits, grinding wheels, etc.
n_0	No load speed	Rotational speed, at no load
.../min	Revolutions or reciprocation per minute	Revolutions, strokes, surface speed, orbits etc. per minute
0	Off position	Zero speed, zero torque...
1, 2, 3, ... I, II, III,	Selector settings	Speed, torque or position settings. Higher number means greater speed
0 	Infinitely variable selector with off	Speed is increasing from 0 setting
	Arrow	Action in the direction of arrow
	Alternating current	Type or a characteristic of current
	Direct current	Type or a characteristic of current
	Alternating or direct current	Type or a characteristic of current
	Class II construction	Designates Double Insulated Construction tools.
	Earthing terminal	Grounding terminal
	Warning symbol	Alerts user to warning messages
	Ni-Cad RBRC seal	Designates Ni-Cad battery recycling program



This symbol designates that this tool is listed by Underwriters Laboratories.



This symbol designates that this tool is listed to Canadian Standards by Underwriters Laboratories.



This symbol designates that this tool complies to NOM Mexican Standards.



This symbol designates that this tool is listed by the Canadian Standards Association.



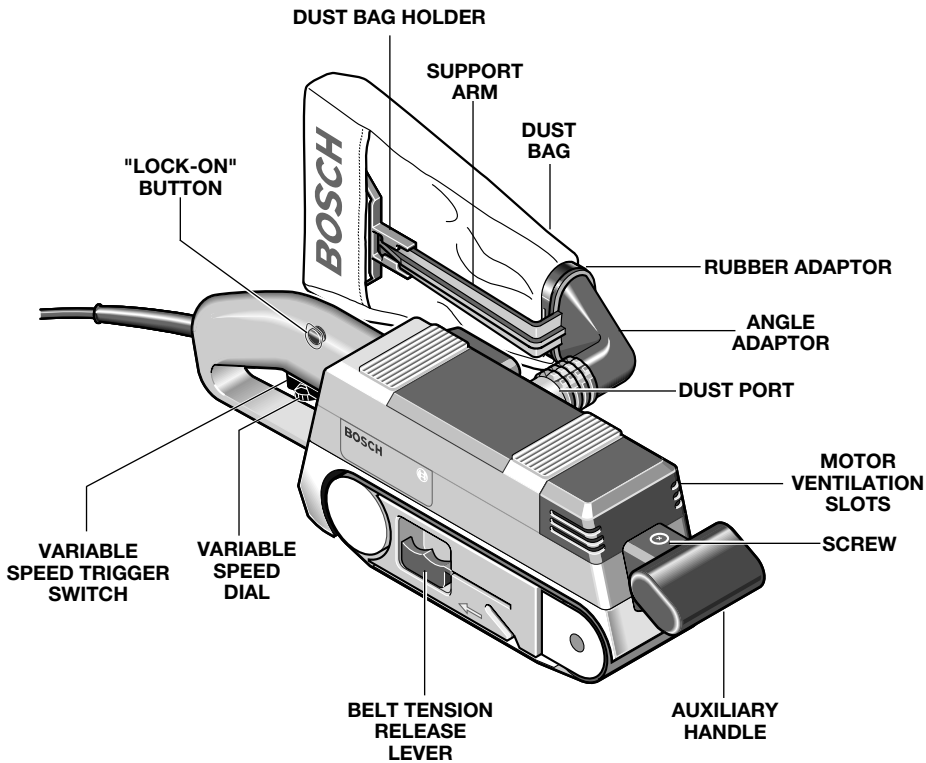
This symbol designates that this tool is listed by Underwriters Laboratories, and listed to Canadian Standards by Underwriters Laboratories.

Functional Description and Specifications

WARNING Disconnect the plug from the power source before making any assembly, adjustments or changing accessories. Such preventive safety measures reduce the risk of starting the tool accidentally.

Belt Sander

FIG. 1



Model number	1274DVS
Voltage rating	120 V ~ 50 - 60Hz
Amperage rating	6.6 A
No load speed	n_0 550-1,100/min
Belt size	3" x 21"

Assembly

REMOVING AND INSTALLING SANDING BELTS

⚠ WARNING To prevent personal injury, always disconnect the plug from the power source before removing or installing the belt.

TO REMOVE BELT:

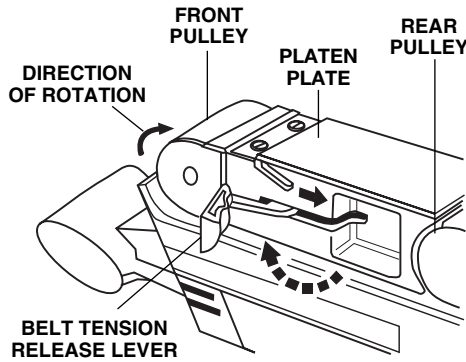
1. Place sander upside down and move belt tension release lever in direction of arrow to retract front pulley and release belt tension.
2. With the sander upside down and the open side facing you, you can easily remove the belt.

TO INSTALL BELT:

1. While the sander is still upside down, with the front pulley retracted and locked, insert the new belt around both pulleys and over the platen plate. If the sanding belt has "rotation direction" markings, be sure the arrow on the

inside of belt is pointing in the direction of rotation as indicated on housing.

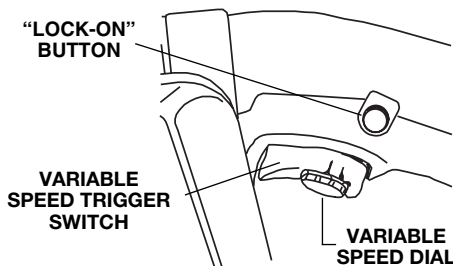
2. Then push lever back to its original position to return tension to the belt.



Operating Instructions

VARIABLE SPEED CONTROLLED TRIGGER SWITCH

Your sander is equipped with a variable speed trigger switch. The sander can be turned "ON" or "OFF" by squeezing or releasing the trigger. The speed can also be adjusted from, minimum to maximum nameplate rated RPM by the amount of pressure you apply on the trigger. Apply more pressure to increase speed and release pressure to decrease speed.



The "Lock-ON" button, located near the trigger allows continuous operation at maximum RPM without holding the trigger.

TO LOCK TRIGGER ON: Squeeze trigger, depress button and release trigger.

TO UNLOCK THE TRIGGER: Squeeze trigger and release it without depressing the "Lock-ON" button.

⚠ WARNING If the "Lock-ON" button is continuously being depressed, the trigger cannot be released.

VARIABLE SPEED DIAL

This feature enables you to preset the trigger at desired speeds by rotating the dial on the trigger. Regardless of the pressure applied on trigger, the tool will not operate any faster than maximum preset speed. You can change the preset maximum speed simply by rotating the adjusting dial to a higher or lower speed setting. As a guideline, the following speed selections apply:

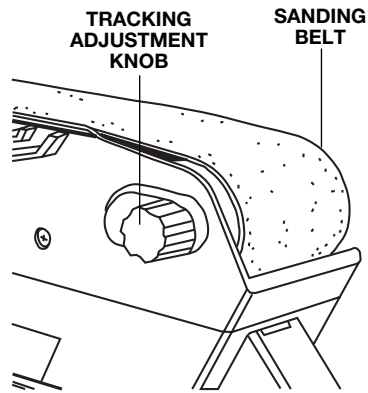
Dial setting	Material/Application
A thru C	Delicate surfaces, veneers, and with sanding frame for light surface finishing
B thru D	Plastics or other surfaces where belt loading or heat buildup is a problem
C thru E	Solid wood, fast stock removal, paint removal
E	General service, metal sanding, chipboard, coarse sanding on rough surfaces

TRACKING ADJUSTMENT

Turn sander upside down and hold it firmly with one hand, start motor and observe the tracking of sanding belt. If the belt runs outward, turn tracking adjustment knob clockwise, if the belt runs inward turn knob counter-clockwise.

Adjust the belt until the outer edge of the belt is even with the outer edge of both front and rear pulleys. Be sure the belt does not rub against the guide strip. Once the belt stabilizes you can begin operation. In some cases, the belt will require a slight readjustment after it is applied to the work surface.

Note the tracking carefully during the first minutes of operation and readjust as required.



AUXILIARY HANDLE

ATTACHING AND REMOVING DUST BAG

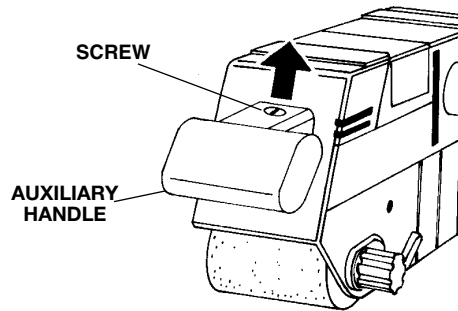
Insert support arm into dust bag holder and mount rubber adaptor onto angle adaptor. To attach dust bag, push angle adaptor onto dust port as far as it will go (Fig. 1).

The dust bag can be emptied by removing the dust bag from the angle adaptor and sliding bag off support arm. For most efficient dust pick-up, empty bag frequently. For added efficiency, a vacuum hose and adaptor (optional accessories) are available which will allow your sander to be connected to a shop vacuum system. See your Bosch catalog for these optional Bosch Airsweep accessories.

FLUSH SANDING

Your sander has been designed to allow convenient flush sanding on the right side of the sander.

Your sander is equipped with a removable auxiliary handle when sanding in tight quarters. To remove handle, remove screw in handle and slide handle off sander in direction of arrow. Always reinstall handle for normal operation.



Sanding Tips

SELECTING THE SANDING BELT

It is very important that you select the proper belt for each particular application. To do this you should understand the method of marking or coding on the back of most belts. "CLOSED COAT" means the surface is densely covered with as much grit as the adhesive will hold. "OPEN COAT" means the grit has been applied evenly, but openly to the surface. An "open coat" will not clog or fill as readily as "closed coat". In general, aluminum oxide

abrasive belts are best for woodworking because they are tougher and last longer. Sanding belts should be stored in a cool, dry place. Do not store near heat or near a window where the sun can reach them.

TECHNIQUE

Grasp the handles firmly. Start the sander with the belt off the work (NOTE: never start or stop the tool with the belt in contact with the work surface). Place the heel of the sander on the work first. Then, with a forward motion, begin the sanding stroke as the machine is lowered onto the work surface. This will prevent

gouging. Keep the sander moving so that your work will be smooth and even. The stroke is simply a back-and-forth movement with most of the sanding done on the pull movement. Use a light touch. The weight of the belt sander is the only pressure required. Too much pressure will slow the work by overloading the motor and reducing belt speed. The result will be decreased sanding efficiency. Sand slowly and systematically and, when you stop, lift the sander from the surface before stopping the tool.

WOOD FINISHING

Take care to select belts wisely. For initial smoothing of rough lumber, use coarse or very coarse grit and sand with the grain. On very uneven or hard wood, sand diagonally (across the grain). Be careful to avoid gouging. Now switch to medium grit belt and sand with the

grain. This will provide a relatively level and smooth finish. Now insert a fine grit belt for final finishing. Always sand with the grain to remove scratches left by coarser belts. Keep the sander moving in long, light strokes during finishing operations. As a final touch, experienced sanders will often insert a "used" fine belt to provide a smooth surface for filling, sealing, brushing or spraying.

REFINISHING COATED WOOD

Your belt sander will also help remove old paint, varnish or lacquer; however, if the coating consists of several layers, remove as much as possible with a paint solvent or varnish remover before using the belt sander. Use a hand scraper to remove the residue left by the solvent and allow surface to dry completely before sanding.

GUIDE FOR WOOD SANDING OPERATIONS

Abrasive Belt	Material/Application
Open-coat 36 to 60 grit	Rough, fast stock removal, removal of old finishes
Open-coat 60 to 100 grit	Intermediate finishing
Open or closed-coat 120 to 180 grit	Fine finishing
Open or closed-coat, 200 or finer grit	Extra-fine finishing, especially with hard woods

Remove all sanding dust thoroughly before coating. Use a soft brush or a vacuum cleaner and hose to remove all dust from seams or crevices.

For fast removal, start with a coarse grit, open coat belt. Change to closed coat belts, using

medium grits as the material shows through the coating. When the covering is thin, use medium grit to avoid scratching the material. Use short, light strokes, moving the sander rapidly. Excessive pressure or steady sanding in one place will burn the coating and load the belt.

METAL FINISHING

For ferrous metals such as steel, stainless steel, iron, etc., use coarse grit open coat belts or coarse to fine grit closed coat belts, depending on the finish desired. Non-ferrous metals such as aluminum, solder, brass, bronze, etc., can also be sanded. Beeswax or tallow are recommended as lubricants for metal sanding, polishing or satin finishing to minimize belt loading and to lengthen belt life. To use, simply rub the lubricant on the belt from time to time. SAE No. 10 or 20 lubricating oil can also be used to assure a smooth scratch free surface. Just wipe the oil on the surface prior to sanding.

Maintenance

Service

⚠ WARNING Preventive maintenance performed by unauthorized personnel may result in misplacing of internal wires and components which could cause serious hazard. We recommend that all tool service be performed by a Bosch Factory Service Center or Authorized Bosch Service Station.

TOOL LUBRICATION

Your Bosch tool has been properly lubricated and is ready to use. It is recommended that tools with gears be regreased with a special gear lubricant at every brush change.

CARBON BRUSHES

The brushes and commutator in your tool have been engineered for many hours of dependable service. To maintain peak efficiency of the motor, we recommend every two to six months the brushes be examined. Only genuine Bosch replacement brushes specially designed for your tool should be used.

BEARINGS

After about 300-400 hours of operation, or at every second brush change, the bearings

should be replaced at Bosch Factory Service Center or Authorized Bosch Service Station. Bearings which become noisy (due to heavy load or very abrasive material cutting) should be replaced at once to avoid overheating or motor failure.

Cleaning

⚠ WARNING To avoid accidents always disconnect the tool from the power supply before cleaning or performing any maintenance. The tool may be cleaned most effectively with compressed dry air. Always wear safety goggles when cleaning tools with compressed air.

Ventilation openings and switch levers must be kept clean and free of foreign matter. Do not attempt to clean by inserting pointed objects through openings.

⚠ CAUTION Certain cleaning agents and solvents damage plastic parts. Some of these are: gasoline, carbon tetrachloride, chlorinated cleaning solvents, ammonia and household detergents that contain ammonia.

Accessories

⚠ WARNING If an extension cord is necessary, a cord with adequate size conductors that is capable of carrying the current necessary for your tool must be used. This will prevent excessive voltage drop, loss of power or overheating. Grounded tools must use 3-wire extension cords that have 3-prong plugs and receptacles.

NOTE: The smaller the gauge number, the heavier the cord.

RECOMMENDED SIZES OF EXTENSION CORDS 120 VOLT ALTERNATING CURRENT TOOLS

Tool's Ampere Rating	Cord Size in A.W.G.				Wire Sizes in mm ²			
	Cord Length in Feet				Cord Length in Meters			
	25	50	100	150	15	30	60	120
3-6	18	16	16	14	.75	.75	1.5	2.5
6-8	18	16	14	12	.75	1.0	2.5	4.0
8-10	18	16	14	12	.75	1.0	2.5	4.0
10-12	16	16	14	12	1.0	2.5	4.0	—
12-16	14	12	—	—	—	—	—	—

- * Cloth dust bag assembly
- * Sanding belt
- ** Vacuum hose
- ** Hose/Vacuum adaptor

(* = standard equipment)
(** = optional accessories)

Règles de Sécurité Générales

A AVERTISSEMENT

Vous devez lire et comprendre toutes les instructions. Le non-respect, même partiel, des instructions ci-après entraîne un risque de choc électrique, d'incendie et/ou de blessures graves.

CONSERVEZ CES INSTRUCTIONS


Aire de travail

Veillez à ce que l'aire de travail soit propre et bien éclairée. Le désordre et le manque de lumière favorisent les accidents.

N'utilisez pas d'outils électriques dans une atmosphère explosive, par exemple en présence de liquides, de gaz ou de poussières inflammables. Les outils électriques créent des étincelles qui pourraient enflammer les poussières ou les vapeurs.

Tenez à distance les curieux, les enfants et les visiteurs pendant que vous travaillez avec un outil électrique. Ils pourraient vous distraire et vous faire faire une fausse manœuvre.

Sécurité électrique

Les outils à double isolation sont équipés d'une fiche polarisée (une des lames est plus large que l'autre), qui ne peut se brancher que d'une seule façon dans une prise polarisée. Si la fiche n'entre pas parfaitement dans la prise, inversez sa position ; si elle n'entre toujours pas bien, demandez à un électricien qualifié d'installer une prise de courant polarisée. Ne modifiez pas la fiche de l'outil. La double isolation  élimine le besoin d'un cordon d'alimentation à trois fils avec mise à la terre ainsi que d'une prise de courant mise à la terre. *Avant de brancher l'outil, assurez-vous que la tension de la prise correspond, à celle indiquée sur la plaque signalétique. N'utilisez pas d'outils prévus pour courant alternatif seulement avec une source de courant continu.*

Évitez tout contact corporel avec des surfaces mises à la terre (tuyauterie, radiateurs, cuisinières, réfrigérateurs, etc.). Le risque de choc électrique est plus grand si votre corps est en contact avec la terre. Si l'utilisation de l'outil électrique dans un endroit humide est inévitable, un disjoncteur de fuite à la terre doit être utilisé pour alimenter votre outil. Des chaussures et des gants en caoutchouc d'électricien contribueront à accroître davantage votre sécurité personnelle.

N'exposez pas les outils électriques à la pluie ou à l'eau. La présence d'eau dans un outil électrique augmente le risque de choc électrique.

Ne maltraitez pas le cordon. Ne transportez pas l'outil par son cordon et ne débranchez pas la fiche en tirant sur le cordon. N'exposez pas le cordon à la chaleur, à des huiles, à des arêtes vives ou à des pièces en mouvement. Remplacez immédiatement un cordon endommagé. Un cordon endommagé augmente le risque de choc électrique.

Lorsque vous utilisez un outil électrique à l'extérieur, employez un prolongateur pour l'extérieur marqué « W-A » ou « W ». Ces cordons sont faits pour être utilisés à l'extérieur et réduisent le risque de choc électrique. Reportez-vous aux « Dimensions recommandées des cordons de rallonge » dans la section Accessoires de ce manuel.

Sécurité des personnes

Restez alerte, concentrez-vous sur votre travail et faites preuve de jugement. N'utilisez pas un outil électrique si vous êtes fatigué ou sous l'influence de drogues, d'alcool ou de médicaments. Un instant d'inattention suffit pour entraîner des blessures graves.

Habillez-vous convenablement. Ne portez ni vêtements flottants ni bijoux. Confinez les cheveux longs. N'approchez jamais les cheveux, les vêtements ou les gants des pièces en mouvement. Des vêtements flottants, des bijoux ou des cheveux longs risquent d'être happés par des pièces en mouvement. Gardez les poignées sèches, propres et exemptes d'huile et de graisse.

Méfiez-vous d'un démarrage accidentel. Avant de brancher l'outil, assurez-vous que son interrupteur est sur ARRÊT. Le fait de transporter un outil avec le doigt sur la détente ou de brancher un outil dont l'interrupteur est en position MARCHE peut mener tout droit à un accident.

Enlevez les clés de réglage ou de serrage avant de démarrer l'outil. Une clé laissée dans une pièce tournante de l'outil peut provoquer des blessures.

Ne vous penchez pas trop en avant. Maintenez un bon appui et restez en équilibre tout le temps. Une bonne stabilité vous permet de mieux réagir à une situation inattendue.

Utilisez des accessoires de sécurité. Portez toujours des lunettes ou une visière. Selon les conditions, portez aussi un masque antipoussière, des bottes de sécurité antidérapantes, un casque protecteur et/ou un appareil antibruit.

Utilisation et entretien des outils

Immobilisez le matériau sur une surface stable au moyen de brides ou de toute autre façon adéquate. Le fait de tenir la pièce avec la main ou contre votre corps offre une stabilité insuffisante et peut amener un dérapage de l'outil.

Ne forcez pas l'outil. Utilisez l'outil approprié à la tâche. L'outil correct fonctionne mieux et de façon plus sécuritaire. Respectez aussi la vitesse de travail qui lui est propre.

N'utilisez pas un outil si son interrupteur est bloqué. Un outil que vous ne pouvez pas commander par son interrupteur est dangereux et doit être réparé.

Débranchez la fiche de l'outil avant d'effectuer un réglage, de changer d'accessoire ou de ranger l'outil. De telles mesures préventives de sécurité réduisent le risque de démarrage accidentel de l'outil.

Rangez les outils hors de la portée des enfants et d'autres personnes inexpérimentées. Les outils sont dangereux dans les mains d'utilisateurs novices.

Prenez soin de bien entretenir les outils. Les outils de coupe doivent être toujours bien affûtés et propres. Des outils bien entretenus, dont les arêtes sont bien tranchantes, sont moins susceptibles de coincer et plus faciles à diriger. Toute altération ou modification constitue un usage erroné et peut causer un danger.

Soyez attentif à tout désalignement ou coincement des pièces en mouvement, à tout bris ou à toute autre condition préjudiciable au bon fonctionnement de l'outil. Si vous constatez qu'un outil est endommagé, faites-le réparer avant de vous en servir. De nombreux accidents sont causés par des outils en mauvais état.

Élaborez un calendrier d'entretien périodique de votre outil.

N'utilisez que des accessoires que le fabricant recommande pour votre modèle d'outil. Certains accessoires peuvent convenir à un outil, mais être dangereux avec un autre.

Réparation

La réparation des outils électriques doit être confiée à un réparateur qualifié. L'entretien ou la réparation d'un outil électrique par un amateur peut avoir des conséquences graves. Ainsi, des fils internes peuvent être mal placés ou pincés, des ressorts de rappel de protecteur peuvent être montés erronément.

Pour la réparation d'un outil, n'employez que des pièces de rechange d'origine. Suivez les directives données à la section « Réparation » de ce manuel. L'emploi de pièces non autorisées ou le non-respect des instructions d'entretien peut créer un risque de choc électrique ou de blessures. Certains agents nettoyants tels qu'essence, tétrachlorure de carbone, ammoniac, etc., peuvent abîmer les pièces en plastique.

Consignes de sécurité de la ponceuse à courroie

Tenez l'outil par les surfaces isolées de préhension en exécutant une opération au cours de laquelle l'outil de coupe peut venir en contact avec les fils cachés ou son propre cordon. Le contact avec un fil sous tension rendra les pièces métalliques exposées de l'outil sous tension et causera des chocs à l'opérateur.

Si votre outil est équipé d'un sac à poussière, videz-le souvent et au terme du ponçage. Procédez extrêmement soigneusement dans l'évacuation de la poussière, les matières sous forme de particules fines peuvent être explosives. Ne jetez pas le bran de scie sur des flammes nues. Une combustion spontanée peut parfois résulter d'un mélange d'huile ou d'eau avec des particules de poussière.

Utilisez des précautions spéciales en ponçant le bois d'oeuvre traité chimiquement par pression, la peinture pouvant contenir du plomb, ou tout autre matériau qui peut contenir des agents cancérigènes. Toutes les personnes pénétrant dans la zone de travail doivent porter un respirateur et des vêtements protecteurs adéquats. L'aire de travail doit être scellée par des feuilles en plastique, et les personnes non protégées doivent être maintenues à l'extérieur jusqu'à ce que l'aire de travail soit dûment nettoyée.

Ne poncez pas par voie humide à l'aide de cette ponceuse. La pénétration de liquides dans le carter du moteur constitue un risque de secousses électriques.

Ne tenez jamais la gâchette bloquée en position de marche. Avant de brancher l'outil, assurez-vous que le blocage de la gâchette est inhibé. Les mises en marche accidentelles peuvent causer des blessures.

Débranchez la ponceuse avant de changer les accessoires. Une mise en marche accidentelle peut survenir si la ponceuse est branchée pendant le changement d'un accessoire.

Tenez vos doigts et vos vêtements à l'écart de la courroie. Ils pourraient être coupés ou se coincer entre la poulie, la courroie et le carter du moteur.

Ajustez de façon appropriée l'alignement de la courroie pour éviter qu'elle ne pende par-dessus le boîtier. Une courroie en marche qui pend par-dessus son boîtier peut causer des lacerations sévères.

Connaissez l'emplacement et le réglage du bouton de blocage de l'interrupteur en position de marche. Si l'interrupteur est bloqué en position de marche « ON », soyez prêt, dans les cas d'urgence, à le mettre à l'arrêt « OFF » en appuyant d'abord sur la gâchette, puis en la

relâchant immédiatement sans appuyer sur le bouton de blocage en marche.

Tenez le cordon sur le côté à l'écart des poulies. Le cordon peut être attiré dans le boîtier de la courroie et s'emmêler avec les poulies.

Fixez à l'aide de brides ou assujettissez l'ouvrage en ponçant. La fixation de l'ouvrage à l'aide de brides l'empêche d'être éjecté depuis le dessous de la ponceuse et laisse les deux mains libres pour contrôler l'outil.

Fixez à l'aide de brides ou assujettissez la ponceuse si elle est renversée et montée sur un établi pour usage comme ponceuse de table. Utilisez toujours le guide ou la butée de bord en ponçant des ouvrages courts ou de petites dimensions. Les doigts ou les vêtements peuvent être entraînés dans la poulie et le boîtier.

Les ponceuses à bande portatives ne sont pas destinées à être montées en permanence comme ponceuse d'établi ou de table. Il existe des accessoires disponibles pouvant transformer certaines ponceuses à bande portatives pour usage fixe occasionnel. Si ces accessoires sont utilisés, serrez ou fixez toujours la ponceuse lorsqu'elle est inversée et montée sur un établi pour utilisation comme ponceuse de table. Soyez au courant de l'emplacement de l'interrupteur et connaissez

la façon de mettre l'outil à l'arrêt dans des cas d'urgence. Suivez toujours les instructions fournies avec l'accessoire. Utilisez une butée ou un guide de ponçage en ponçant des ouvrages courts ou petits.

⚠ AVERTISSEMENT

Les travaux à la machine tel que ponçage, sciage, meulage, perçage et autres travaux du bâtiment peuvent créer des poussières contenant des produits chimiques qui sont des causes reconnues de cancer, de malformation congénitale ou d'autres problèmes reproductifs. Ces produits chimiques sont, par exemple :

- Le plomb provenant des peintures à base de plomb,
- Les cristaux de silices provenant des briques et du ciment et d'autres produits de maçonnerie, et
- L'arsenic et le chrome provenant des bois traités chimiquement.

Le niveau de risque dû à cette exposition varie avec la fréquence de ces types de travaux. Pour réduire l'exposition à ces produits chimiques, il faut travailler dans un lieu bien ventilé et porter un équipement de sécurité approprié tel que certains masques à poussière conçus spécialement pour filtrer les particules microscopiques.

Symboles

Important : Certains des symboles suivants peuvent être utilisés sur votre outil. Veuillez les étudier et apprendre leur signification. Une interprétation appropriée de ces symboles vous permettra d'utiliser l'outil de façon plus efficace et plus sûre.

Symbole	Nom	Désignation/Explication
V	Volts	Tension (potentielle)
A	Ampères	Courant
Hz	Hertz	Fréquence (cycles par seconde)
W	Watt	Puissance
kg	Kilogrammes	Poids
min	Minutes	Temps
s	Secondes	Temps
∅	Diamètre	Taille des mèches de perceuse, meules, etc.
n_0	Vitesse à vide	Vitesse de rotation, à vide
.../min	Tours ou mouvement alternatif par minute	Tours, coups, vitesse en surface, orbites, etc., par minute,
0	Position d'arrêt	Vitesse zéro, couple zéro ...
1, 2, 3, ... I, II, III, ...	Réglages du sélecteur	Réglages de vitesse, de couple ou de position. Un nombre plus élevé signifie une vitesse plus grande.
	Sélecteur variable à l'infini avec arrêt	La vitesse augmente depuis le réglage 0
	Flèche	Action dans la direction de la flèche
	Courant alternatif	Type ou caractéristique du courant
	Courant continu	Type ou caractéristique du courant
	Courant alternatif ou continu	Type ou caractéristique du courant
	Construction classe II isolation	Désigne des outils construits avec double
	Borne de terre	borne de mise à la terre
	Symbole d'avertissement	Alerte l'utilisateur aux messages d'avertissement.
	Sceau Ni-Cad RBRCmc	Désigne le programme de recyclage des piles Ni-Cad.

 Ce symbole signifie que cet outil est approuvé par Underwriters Laboratories.



Ce symbole signifie que cet outil est approuvé conformément aux normes canadiennes par Underwriters Laboratories.



Ce symbole signifie que cet outil se conforme aux normes mexicaines NOM.

 Ce symbole signifie que cet outil est approuvé par l'Association canadienne de normalisation.



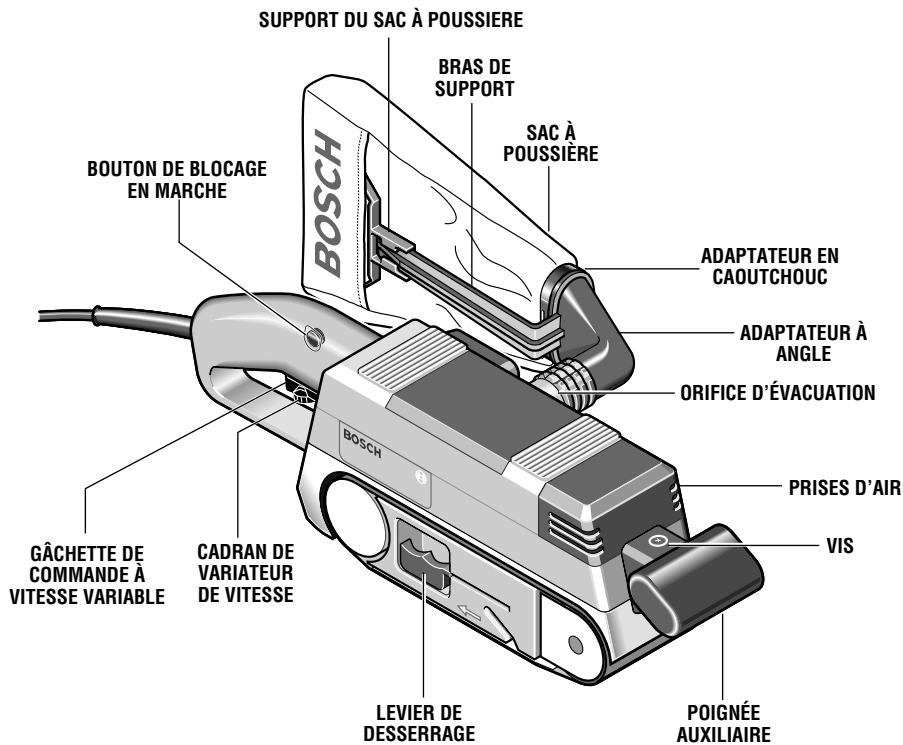
Ce symbole signifie que cet outil est approuvé par Underwriters Laboratories et qu'il a été homologué selon les normes canadiennes par Underwriters Laboratories.

Description fonctionnelle et spécifications

AVERTISSEMENT Débranchez la fiche de la prise de courant avant d'effectuer quelque assemblage ou réglage que ce soit ou de changer les accessoires. Ces mesures de sécurité préventive réduisent le risque d'une mise en marche accidentelle de l'outil.

Ponceuse à courroie

FIG. 1



Numéro de modèle	1274DVS
Tension nominale	120 V ~ 50 à 60Hz
Intensité nominale	6,6 A
Vitesse à vide	n_0 550-1 100/min
Dimension de la bande	75 x 533 mm

Assemblage

DÉPOSE ET REPOSE DES BANDES DE PONÇAGE

⚠ AVERTISSEMENT

Pour éviter le risque de blessure, débranchez toujours la fiche de la prise de courant avant de déposer ou de reposer la bande.

DÉPOSE DE LA BANDE

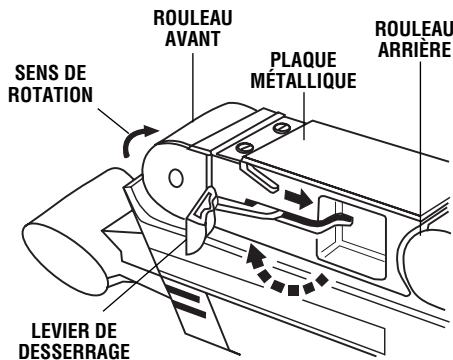
1. Placez la ponceuse à l'envers et pivotez le levier de desserrage dans le sens de la flèche pour contracter le rouleau avant et relâcher la tension exercée sur la bande.

2. La ponceuse à l'envers et le côté ouvert orienté vers vous, vous pouvez facilement enlever la bande.

POSE DE LA BANDE

1. Pendant que la ponceuse est encore à l'envers, rouleau avant contracté et verrouillé, guidez la bande neuve autour des deux rouleaux et par-dessus la plaque métallique. Si le sens de rotation est indiqué à l'intérieur de la bande de ponçage, assurez-vous que la flèche pointe dans le sens de rotation indiqué sur le boîtier.

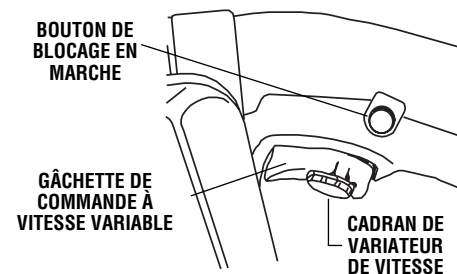
2. Repoussez ensuite le levier à la position originelle pour tendre la bande.



Consignes de fonctionnement

GÂCHETTE DE COMMANDE À VITESSE VARIABLE

Votre ponceuse est équipée d'une gâchette de commande à vitesse variable. Vous pouvez mettre la ponceuse sous ou hors tension en appuyant ou relâchant respectivement la gâchette. Dépendant de la pression exercée sur la gâchette, il est possible de régler la vitesse dans les limites minimale et maximale spécifiées sur la plaquette emblématique. Exercez plus de pression pour augmenter la vitesse et moins pour la diminuer.



Le bouton de blocage en marche, situé près de la gâchette, assure le fonctionnement continu au régime maximal sans appuyer sur la gâchette.

POUR BLOQUER LA GÂCHETTE EN MARCHE: appuyez sur la gâchette, enfoncez le bouton de blocage et relâchez la gâchette.

POUR DÉBLOQUER LA GÂCHETTE: appuyez sur la gâchette et relâchez-la sans toucher au bouton de blocage.

⚠ AVERTISSEMENT

La gâchette ne peut pas se débloquenter si le bouton de blocage est continuellement enfoncé.

CADRAN DE VARIATEUR DE VITESSE

Ce dispositif vous permet de pré-régler la gâchette aux vitesses désirées en tournant un cadran. Quelle que soit la pression que vous exercez sur la gâchette, l'outil ne fonctionnera pas plus vite que la vitesse maximale établie. Vous pouvez changer la vitesse maximale établie en tournant simplement le cadran sur un réglage supérieur ou inférieur. À titre de guide, observez les recommandations suivantes:

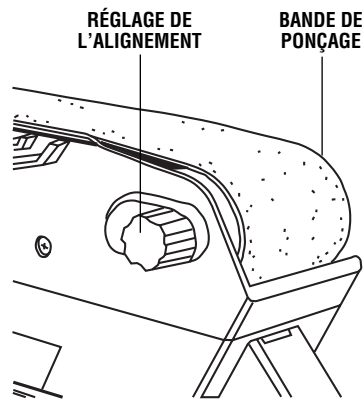
Réglage	Matériau/application
A à C	Surfaces délicates, contreplaqués et avec cadre de ponçage pour la finition légère en surface
B à D	Surfaces plastiques ou autres où la bande est susceptible d'encrassement ou de surchauffe
C à E	Ponçage rapide dans le bois plein, décapage de la peinture
E	Travaux généraux, ponçage des métaux, d'agglomérés, ponçage agressif de surfaces brutes

RÉGLAGE DE L'ALIGNEMENT

Tournez la ponceuse à l'envers et, la tenant fermement d'une main, mettez le moteur en marche et observez le défilement de la bande. Si la bande s'aligne à l'extérieur, tournez le bouton de réglage en sens horaire; si la bande s'aligne à l'intérieur, tournez le bouton en sens contraire.

Régalez l'alignement jusqu'à ce que le rebord extérieur de la bande soit à l'égalité du rebord extérieur des deux rouleaux, avant et arrière. Assurez-vous que la bande ne frotte pas contre le guide. Quand la bande est bien alignée vous pouvez entreprendre le ponçage. Dans certains cas, vous devrez rajuster légèrement la bande après l'avoir mise sur la surface à poncer.

Durant les quelques premières minutes de ponçage, observez attentivement l'alignement de la bande et réglez-le au besoin.



MONTAGE ET DÉMONTAGE DU SAC À POUSSIÈRE

Insérer le bras de support dans le support du sac à poussière et monter l'adaptateur en caoutchouc sur l'adaptateur à angle (Fig. 1).

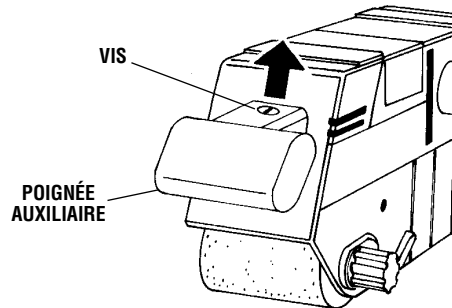
Pour fixer le sac à poussière, pousser l'adaptateur à angle sur l'orifice à poussière aussi loin que possible. On peut vider le sac à poussière en retirant celui-ci de l'adaptateur à angle et en faisant glisser le sac hors du bras de support. Pour un meilleur résultat, vidangez la poussière fréquemment. Pour améliorer le dépoussiérage, un flexible et un adaptateur d'aspirateur (disponibles moyennant supplément de prix) vous permettront de raccorder votre ponceuse à un système aspirateur d'atelier. Voir la liste des accessoires facultatifs dans votre catalogue Bosch.

PONÇAGE À AFFLEUREMENT

Votre ponceuse est conçue de sorte que vous puissiez poncer à affleurement du côté droit.

POIGNÉE AUXILIAIRE

Votre ponceuse est équipée d'une poignée auxiliaire amovible pour faciliter le ponçage dans les endroits restreints. Pour déposer la poignée, enlevez la vis d'assemblage; glissez la poignée dans le sens de la flèche. Remettez-la toujours en place pour le ponçage normal.



Conseils pratiques

CHOIX DE COURROIE DE PONÇAGE

Il est très important que vous choisissiez la courroie qui convient à chaque tâche particulière. Pour vous en assurer, vous devriez vous familiariser avec l'inscription qui apparaît au dos de la plupart des courroies. Revêtement dense, «CLOSED COAT», signifie que la surface est fortement couverte de grains, autant que la couche adhésive le permette. Revêtement ouvert, «OPEN COAT», signifie que les grains sont espacés uniformément, mais ouverts à la surface. Un revêtement ouvert ne s'empâte ni se remplit aussi facilement que le revêtement dense. En général, les courroies abrasives

en alumine sont préférables pour le travail du bois parce qu'elles sont plus résistantes et plus durables. Les courroies de ponçage devraient être remisées dans un lieu frais et sec. Ne les gardez pas près de la chaleur ou d'une fenêtre où le soleil pourrait les atteindre.

TECHNIQUE

Saisissez fermement la ponceuse par ses poignées. Mettez la ponceuse en marche avant d'en porter la courroie sur le matériau. (REMARQUE : ne mettez jamais l'outil en marche ni à l'arrêt alors que la courroie est en contact avec la surface à poncer). Commencez par placer le talon de la ponceuse sur le matériau. Puis, en déplaçant la ponceuse vers l'avant, abaissez-la progressivement à plat sur la surface. Vous éviterez ainsi

d'entamer ou de gouger le matériau. Maintenez la ponceuse en mouvement de sorte que la surface reste douce et égale. La course est simplement un mouvement de va-et-vient avec la majorité du ponçage survenant au retour. Appliquez très peu de pression. Le poids même de la ponceuse est suffisant. Une pression exagérée ralentira le travail en surchargeant le moteur et en ralentissant la vitesse de la courroie. En conséquence, le ponçage prendra plus de temps. Poncez lentement et systématiquement et, quand vous arrêtez, levez l'outil avant de le mettre hors tension.

FINITION DU BOIS

Choisissez les courroies abrasives sagement. Pour l'adoucissage initial du bois brut, adoptez un gros ou très gros grain et travaillez dans le sens des fibres. Sur bois raboteux ou dur, poncez en diagonale (en sens transversal aux fibres). Prenez bien soin de ne pas gouger. Puis, changez à une courroie à grain moyen et travaillez dans le sens des fibres. Vous obtenez ainsi

un fini relativement égal et doux. Pour finir, utilisez une courroie à grain fin. Poncez toujours dans le sens des fibres pour éliminer toutes égratignures qu'auraient laissées les courroies à gros grain. Pendant la finition, effectuez des passes longues et légères. Comme touche finale, les ponceurs expérimentés substituent souvent une courroie fine « usée » pour apprêter la surface en vue de la retouche, l'étanchement, le brossage ou la pulvérisation.

REFINITION DU BOIS REVÊTU

Votre ponceuse à courroie sert également à décaper la vieille peinture, vernis ou laque ; cependant, si le revêtement consiste de plusieurs couches, enlevez le plus gros avec un dissolvant pour peinture ou décapant pour vernis au préalable. Servez-vous d'un grattoir à main pour enlever le résidu laissé par le dissolvant et attendez que la surface soit complètement sèche avant de la poncer.

GUIDE POUR LE PONÇAGE DU BOIS

Bande de ponçage	Matériau/application
Revêtement ouvert Grain 36 à 60	Ponçage grossier, rapide; décapage des vieux finis
Revêtement ouvert Grain 60 à 100	Finition intermédiaire
Revêtement ouvert ou dense Grain 120 à 180	Finition en douceur
Revêtement ouvert ou dense Grain 200 ou plus	Finition extra douce, particulièrement dans es bois durs

Enlevez toute poussière avant d'appliquer l'enduit. À l'aide d'une brosse à poils doux ou d'un aspirateur, nettoyez tous les joints et les crevasses.

Pour accélérer le décapage, commencez avec une bande à revêtement ouvert, gros grain. Puis, changez à des bandes à revêtement dense de grain moyen au fur et à mesure que le matériau apparaît sous l'enduit. Quand l'enduit est mince, utilisez le grain moyen pour ne pas égratigner le matériau. Effectuez des courses courtes et légères, en rapidité. Le fait d'exercer une pression exagérée ou de s'attarder au même endroit brûlera l'enduit et empâtera la bande.

FINITION DES MÉTAUX

Pour les métaux ferreux tels que l'acier, l'acier inoxydable, le fer, etc. utilisez des bandes à revêtement ouvert et à gros grain ou de bandes à revêtement fermé et grain de toute sorte, selon le fini désiré. Les métaux non ferreux tels que l'aluminium, le laiton, le bronze, etc. peuvent aussi être poncés. Pour minimiser l'encrassement des bandes servant au ponçage, polissage ou satinage et les faire durer davantage, il est recommandé de les lubrifier avec de la cire d'abeilles ou du suif. De temps à autre, passez simplement le lubrifiant sur la bande. L'huile SAE 10 ou 20 est aussi recommandée pour un fini doux sans égratignure. Essayez simplement l'huile sur la surface avant le ponçage.

Maintenance

Entretien

⚠ AVERTISSEMENT L'entretien préventif effectué par des employés non autorisés peut entraîner un positionnement erroné des composants et des fils internes, et ainsi causer des dangers sévères. Il est recommandé que l'entretien et la réparation de nos outils soient confiés à un centre de service-usine Bosch ou à un centre de service après-vente Bosch agréé.

GRAISSAGE DE L'OUTIL

Votre outil Bosch a été convenablement graissé et est prêt à utiliser. Il est recommandé que les outils à engrenages soient regraissés avec une graisse spéciale à l'occasion de tout remplacement de balais.

BALAIS DE CHARBON

Les balais et le collecteur de votre outil ont été conçus pour donner plusieurs heures de fonctionnement sans aléas. Pour maintenir le moteur en forme, nous recommandons d'examiner les balais tous les deux à six mois. Vous ne devriez utiliser que les balais de rechange d'origine Bosch qui conviennent spécialement à votre outil.

ROULEMENTS

Après environ 300 à 400 heures d'utilisation, ou à tous les deux remplacements des balais, il faudrait confier

le remplacement des roulements à un centre de service-usine Bosch ou à un centre de service après-vente Bosch agréé. Les roulements qui sont devenus bruyants (à cause de sciage de matériaux très abrasifs ou de durs efforts) devraient être remplacés à l'instant pour éviter la surchauffe et la défaillance du moteur.

Nettoyage

⚠ AVERTISSEMENT Pour éviter le risque d'accidents, débranchez toujours l'outil de la prise de courant avant de procéder au nettoyage ou à l'entretien. Vous pouvez très bien le nettoyer à l'air comprimé. Dans ce cas, portez toujours des lunettes de sécurité.

Gardez les prises d'air et les interrupteurs propres et libres de débris. N'essayez pas de les nettoyer en introduisant des objets pointus dans leurs ouvertures.

⚠ MISE EN GARDE Certains produits de nettoyage et dissolvants dont la gazoline, le tétrachlorure de carbone, les nettoyeurs chlorés, l'ammoniaque et les détergents ménagers contenant de l'ammoniaque peuvent abîmer les pièces en plastique.

Accessoires

⚠ AVERTISSEMENT Si un cordon de rallonge s'avère nécessaire, vous devez utiliser un cordon avec conducteurs de dimension adéquate pouvant porter le courant nécessaire à votre outil. Ceci préviendra une chute excessive de tension, une perte de courant ou une surchauffe. Les outils mis à la terre doivent utiliser des cordons de rallonge trifilaires pourvus de fiches à trois broches ainsi que des prises à trois broches.

REMARQUE : Plus le calibre est petit, plus le fil est gros.

DIMENSIONS DE RALLONGES RECOMMANDÉES
OUTILS 120 VOLTS COURANT ALTERNATIF

Intensité nominale de l'outil	Longueur en pieds				Longueur en mètres			
	Calibre A.W.G.				Calibre en mm ²			
	25	50	100	150	15	30	60	120
3-6	18	16	16	14	.75	.75	1.5	2.5
6-8	18	16	14	12	.75	1.0	2.5	4.0
8-10	18	16	14	12	.75	1.0	2.5	4.0
10-12	16	16	14	12	1.0	2.5	4.0	—
12-16	14	12	—	—	—	—	—	—

* Sac à poussière

* Bande de ponçage

** Flexible d'aspirateur

** Flexible/adaptateur d'aspirateur

(* = équipement standard)

(** = accessoire en option)

Normas de seguridad para herramientas mecánicas



ADVERTENCIA Lea y entienda todas las instrucciones. El incumplimiento de todas las instrucciones indicadas a continuación puede dar lugar a sacudidas eléctricas, incendios y/o lesiones personales graves.

CONSERVE ESTAS INSTRUCCIONES

Area de trabajo

Mantenga el área de trabajo limpia y bien iluminada. Las mesas desordenadas y las áreas oscuras invitan a que se produzcan accidentes.

No utilice herramientas mecánicas en atmósferas explosivas, tales como las existentes en presencia de líquidos, gases o polvos inflamables. Las herramientas mecánicas generan chispas y éstas pueden dar lugar a la ignición del polvo o los vapores.

Mantenga a las personas que se encuentren presentes, a los niños y a los visitantes alejados al utilizar una herramienta mecánica. Las distracciones pueden hacer que usted pierda el control.

Seguridad eléctrica

Las herramientas con aislamiento doble están equipadas con un enchufe polarizado (un terminal es más ancho que el otro). Este enchufe entrará en un tomacorriente polarizado solamente de una manera. Si el enchufe no entra por completo en el tomacorriente, déle la vuelta. Si sigue sin entrar, póngase en contacto con un electricista competente para instalar un tomacorriente polarizado. No haga ningún tipo de cambio en el enchufe. El aislamiento doble elimina la necesidad del sistema de cordón de energía de tres hilos conectado a tierra y la fuente de energía conectada a tierra. *Antes de enchufar la herramienta, asegúrese de que la tensión del tomacorriente suministrada se encuentre dentro del margen de la tensión especificada en la placa del fabricante. No utilice herramientas con capacidad nominal "AC solamente" ("AC only") con una fuente de energía DC.*

Evite el contacto del cuerpo con las superficies conectadas a tierra tales como tuberías, radiadores, estufas de cocina y refrigeradores. Hay mayor riesgo de que se produzcan sacudidas eléctricas si su cuerpo está conectado a tierra. Si la utilización de la herramienta mecánica en lugares húmedos es inevitable, se debe usar un interruptor de circuito para fallos a tierra para suministrar la energía a la herramienta. Los guantes de goma para electricista y el calzado antideslizante aumentarán más la seguridad personal.

No exponga las herramientas mecánicas a la lluvia ni a situaciones húmedas. La entrada de agua en una herramienta mecánica aumentará el riesgo de que se produzcan sacudidas eléctricas.

No abuse del cordón. Nunca use el cordón para llevar las herramientas ni para sacar el enchufe de un tomacorriente. Mantenga el cordón alejado del calor, el

aceite, los bordes afilados o las piezas móviles. Cambie los cordones dañados inmediatamente. Los cordones dañados aumentan el riesgo de que se produzcan sacudidas eléctricas.

Al utilizar una herramienta mecánica a la intemperie, utilice un cordón de extensión para intemperie marcado "W-A" o "W". Estos cordones tienen capacidad nominal para uso a la intemperie y reducen el riesgo de que se produzcan sacudidas eléctricas. Consulte "Tamaños recomendados de los cordones de extensión" en la sección Accesorios de este manual.

Seguridad personal

Manténgase alerta, fíjese en lo que está haciendo y use el sentido común cuando utilice una herramienta mecánica. No use la herramienta cuando esté cansado o se encuentre bajo la influencia de drogas, alcohol o medicamentos. Un momento de distracción al utilizar herramientas mecánicas puede dar lugar a lesiones personales graves.

Vístase adecuadamente. No se ponga ropa holgada ni joyas. Sujétese el pelo. Mantenga el pelo, la ropa y los guantes alejados de las piezas móviles. La ropa holgada, las joyas o el pelo largo pueden quedar atrapados en las piezas móviles. Mantenga los mangos secos, limpios y libres de aceite y grasa.

Evite el arranque accidental. Asegúrese de que el interruptor esté en la posición "OFF" (apagado) antes de enchufar la herramienta. El llevar las herramientas con el dedo en el interruptor o el enchufar herramientas que tengan el interruptor en la posición "ON" (encendido) invita a que se produzcan accidentes.

Quite las llaves de ajuste o de tuerca antes de encender la herramienta. Una llave de ajuste o de tuerca que se deje puesta en una pieza giratoria de la herramienta puede ocasionar lesiones personales.

No intente alcanzar demasiado lejos. Mantenga un apoyo de los pies y un equilibrio adecuados en todo momento. El apoyo de los pies y el equilibrio adecuados permiten un mejor control de la herramienta en situaciones inesperadas.

Utilice equipo de seguridad. Use siempre protección de los ojos. Se debe utilizar una máscara antipolvo, zapatos de seguridad antideslizantes, casco o protección de los oídos según lo requieran las condiciones.

Utilización y cuidado de las herramientas

Utilice abrazaderas u otro modo práctico de fijar y soportar la pieza de trabajo a una plataforma estable. La sujeción de la pieza de trabajo con la mano o contra

el cuerpo resulta inestable y puede ocasionar pérdida de control.

No fuerce la herramienta. Use la herramienta correcta para la aplicación que desea. La herramienta correcta hará el trabajo mejor y con más seguridad a la capacidad nominal para la que está diseñada.

No utilice la herramienta si el interruptor no la enciende o apaga. Toda herramienta que no se pueda controlar con el interruptor es peligrosa y debe ser reparada.

Desconecte el enchufe de la fuente de energía antes de hacer cualquier ajuste, cambiar accesorios o guardar la herramienta. Estas medidas de seguridad preventivas reducen el riesgo de arrancar la herramienta accidentalmente.

Guarde las herramientas que no esté usando fuera del alcance de los niños y otras personas no capacitadas. Las herramientas son peligrosas en las manos de los usuarios no capacitados.

Mantenga las herramientas con cuidado. Conserve las herramientas de corte afiladas y limpias. Las herramientas mantenidas adecuadamente, con bordes de corte afilados, tienen menos probabilidades de atascarse y son más fáciles de controlar. Toda alteración o modificación constituye un uso incorrecto y puede tener como resultado una situación peligrosa.

Compruebe la desalineación o el atasco de las piezas móviles, la ruptura de piezas y cualquier otra situación que pueda afectar el funcionamiento de las herramientas. Si la herramienta está dañada, haga

que realicen un servicio de ajustes y reparaciones a la herramienta antes de usarla. Muchos accidentes son causados por herramientas mantenidas deficientemente. Establezca un programa de mantenimiento periódico para la herramienta.

Utilice únicamente accesorios que estén recomendados por el fabricante de su modelo. Los accesorios que pueden ser adecuados para una herramienta pueden volverse peligrosos cuando se utilizan en otra herramienta.

Servicio

El servicio de ajustes y reparaciones de una herramienta debe ser realizado únicamente por personal de reparaciones competente. El servicio o mantenimiento realizado por personal no competente podría ocasionar un peligro de que se produzcan lesiones. Por ejemplo: Los cables internos pueden colocarse mal o pellizcarse, los resortes de retorno de los protectores de seguridad pueden montarse inadecuadamente.

Al realizar servicio de ajustes y reparaciones de una herramienta, utilice únicamente piezas de repuesto idénticas. Siga las instrucciones que aparecen en la sección Mantenimiento de este manual. El uso de piezas no autorizadas o el incumplimiento de las instrucciones de Mantenimiento puede ocasionar un peligro de que se produzcan sacudidas eléctricas o lesiones. Ciertos agentes de limpieza, tales como gasolina, tetracloruro de carbono, amoníaco, etc., pueden dañar las piezas de plástico.

Normas de seguridad para lijadoras de correa

Sujete la herramienta por las superficies de agarre aisladas cuando realice una operación en la que la herramienta de corte pueda entrar en contacto con cables ocultos o con su propio cordón. El contacto con un cable que tenga corriente hará que ésta pase a las partes metálicas descubiertas de la herramienta y que el operador reciba sacudidas eléctricas.

Si su herramienta está equipada con una bolsa para polvo, vacíela frecuentemente y después de terminar de lijar. Sea extremadamente cuidadoso al eliminar el polvo, ya que los materiales en forma de partículas finas pueden ser explosivos. No tire el polvo resultante del lijado a un fuego abierto. Al cabo del tiempo se puede producir una combustión espontánea como consecuencia de la mezcla de aceite o agua con las partículas de polvo.

Use precauciones especiales al lijar madera tratada químicamente a presión, pintura que pueda estar basada en plomo o cualquier otro material que pueda contener carcinógenos. Todas las personas que entren en el área de trabajo deben usar un aparato de respiración adecuado y ropa protectora. El área de

trabajo debe cerrarse con cubiertas colgantes de plástico y debe mantenerse fuera a las personas no protegidas hasta que el área de trabajo haya sido limpiada a fondo.

No lije en mojado con esta lijadora. La entrada de líquidos en la caja del motor constituye un peligro de sacudidas eléctricas.

Nunca deje el gatillo fijo en la posición "ON" (encendido). Antes de enchufar la herramienta, compruebe que el dispositivo de fijación del gatillo esté en la posición "OFF" (apagado). Los arranques accidentales podrían causar lesiones.

Desenchufe la lijadora antes de cambiar accesorios. Se pueden producir arranques accidentales si la lijadora está enchufada mientras se cambia un accesorio.

Mantenga los dedos y la ropa alejados de la correa. Podrían resultar cortados o quedar atrapados en cuña entre la polea, la correa y la caja del motor.

Ajuste adecuadamente la trayectoria de la correa para evitar que ésta sobresalga de la caja protectora. Si una correa en movimiento sobresale de la caja protectora, puede causar laceraciones graves.

Conozca la ubicación y la posición del botón de "Fijación en ON" del interruptor. Si el interruptor está fijado en la posición "ON" (encendido), esté preparado para cambiarlo a "OFF" (apagado) en situaciones de emergencia, apretando primero el gatillo y soltándolo inmediatamente después sin oprimir el botón de "Fijación en ON".

Mantenga el cordón en el lado alejado de las poleas. El cordón puede resultar arrastrado hasta el interior de la caja protectora de la correa y enredarse en las poleas.

Fije con abrazaderas o asegure la pieza de trabajo al lijar. Al fijar con abrazaderas la pieza de trabajo se evita que ésta salga despedida de debajo de la lijadora y se dejan libres las dos manos para controlar la herramienta.

Fije con abrazaderas o asegure la lijadora si ésta se encuentra en posición invertida y montada en un banco para usarse como lijadora de mesa. Use siempre un tope o una guía de borde al lijar piezas de trabajo cortas o pequeñas. Los dedos o la ropa pueden resultar arrastrados hasta el área de la polea y la caja protectora.

Las lijadoras de correa portátiles no están diseñadas para montarse permanentemente como lijadora de banco o de mesa. Hay accesorios disponibles que pueden convertir ciertas lijadoras de correa portátiles para uso estacionario ocasional. Si se utilizan dichos accesorios, fije con abrazaderas o sujete la lijadora cuando ésta se invierta y se monte en un banco para

usarla como lijadora de mesa. Sepa la ubicación del interruptor y cómo apagar la herramienta en situaciones de emergencia. Siga siempre las instrucciones que se incluyen con el accesorio. Utilice un tope-guía, un tope o una guía de lijar cuando lije piezas de trabajo cortas o pequeñas.

⚠ ADVERTENCIA Cierta polvo generado por el lijado, aserrado, amolado y taladrado mecánicos, y por otras actividades de construcción, contiene agentes químicos que se sabe que causan cáncer, defectos de nacimiento u otros daños sobre la reproducción. Algunos ejemplos de estos agentes químicos son:

- Plomo de pinturas a base de plomo,
- Sílice cristalina de ladrillos y cemento y otros productos de mampostería, y
- Arsénico y cromo de madera tratada químicamente.

Su riesgo por causa de estas exposiciones varía, dependiendo de con cuánta frecuencia realice este tipo de trabajo. Para reducir su exposición a estos agentes químicos: trabaje en un área bien ventilada y trabaje con equipo de seguridad aprobado, como por ejemplo máscaras antipolvo que estén diseñadas especialmente para impedir mediante filtración el paso de partículas microscópicas.

Símbolos

Importante: Es posible que algunos de los símbolos siguientes se usen en su herramienta. Por favor, estúdielos y aprenda su significado. La interpretación adecuada de estos símbolos le permitirá utilizar la herramienta mejor y con más seguridad.

Símbolo	Nombre	Designación/explicación
V	Volt	Tensión (potencial)
A	Ampere	Corriente
Hz	Hertz	Frecuencia (ciclos por segundo)
W	Watt	Potencia
kg	Kilogramo	Peso
min	Minuto	Tiempo
s	Segundo	Tiempo
∅	Diámetro	Tamaño de las brocas taladradoras, muelas, etc.,
n_0	Velocidad sin carga	Velocidad rotacional sin carga
.../min	Revoluciones o alternación por minuto	Revoluciones, golpes, velocidad de superficie, órbitas, etc., por minuto
0	Posición "off" (apagado)	Velocidad cero, par motor cero...
1, 2, 3, ... I, II, III,	Graduaciones del selector	Graduaciones de velocidad, par motor o posición. Un número más alto significa mayor velocidadselector settings
	Selector infinitamente variable con apagado	La velocidad aumenta desde la graduación de 0
	Flecha	Acción en la dirección de la flecha
	Corriente alterna	Tipo o una característica de corriente
	Corriente continua	Tipo o una característica de corriente
	Corriente alterna o continua	Tipo o una característica de corriente
	Construcción de clase II	Designa las herramientas de construcción con aislamiento doble.
	Terminal de toma de tierra	Terminal de conexión a tierra
	Símbolo de advertencia	Alerta al usuario sobre mensajes de advertencia
	Sello RBRCTM de Ni-Cd	Designa el programa de reciclaje de baterías de Ni-Cd



Este símbolo indica que esta herramienta está catalogada por Underwriters Laboratories.



Este símbolo indica que Underwriters Laboratories ha catalogado esta herramienta indicando que cumple las normas canadienses.



Este símbolo indica que esta herramienta cumple con la norma mexicana oficial (NOM).



Este símbolo indica que esta herramienta está catalogada por la Canadian Standards Association.



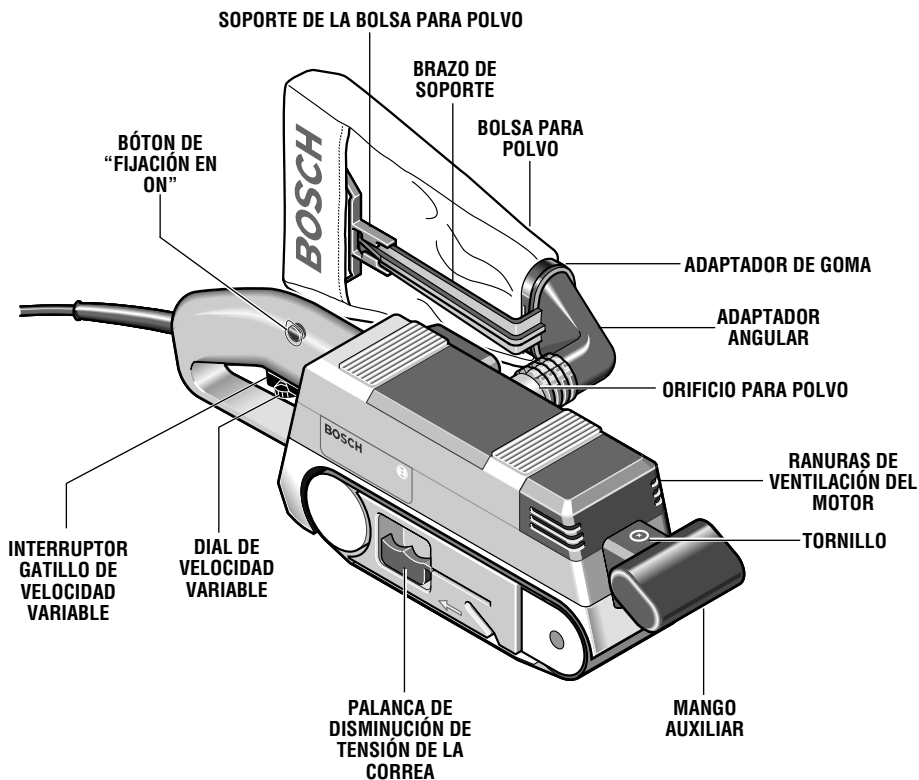
Este símbolo indica que esta herramienta está catalogada por Underwriters Laboratories y que Underwriters Laboratories la ha catalogado según las normas canadienses.

Descripción funcional y especificaciones

ADVERTENCIA Desconecte el enchufe de la fuente de energía antes de realizar cualquier ensamblaje o ajuste, o cambiar accesorios. Estas medidas de seguridad preventivas reducen el riesgo de arrancar la herramienta accidentalmente.

Lijadoras de correa

FIG. 1



Número de modelo	1274DVS
Tensión nominal	120 V ~ 50 - 60Hz
Amperaje nominal	6,6 A
Velocidad sin carga	n_0 550-1 100/min
Tamaño de correa	75 x 533 mm

Ensamblaje

RETIRADA E INSTALACIÓN DE CORREAS PARA LIJAR

⚠ ADVERTENCIA Para prevenir lesiones personales, desconecte siempre el enchufe de la fuente de energía antes de quitar o instalar la correa.

PARA QUITAR LA CORREA:

1. Coloque la lijadora boca abajo y mueva la palanca de disminución de tensión de la correa en la dirección de la flecha para retraer la polea delantera y reducir la tensión de la correa.

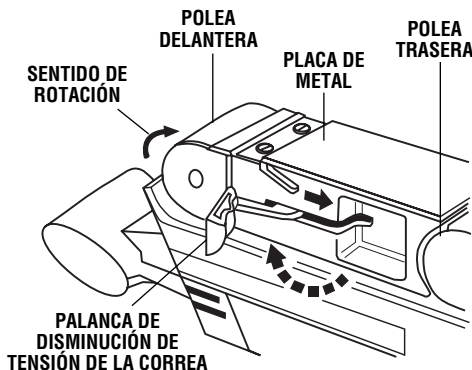
2. Con la lijadora en posición boca abajo y el lado abierto orientado hacia usted, puede quitar la correa fácilmente.

PARA INSTALAR LA CORREA:

1. Mientras que la lijadora está todavía en posición boca abajo con la polea delantera retraída y fijada, coloque la nueva correa alrededor de ambas poleas y sobre la placa de metal. Si la correa para lijar tiene marcas de "sentido de rotación", asegúrese de que la flecha del interior de la

correa señala en la dirección de rotación según se indica en la caja de protección.

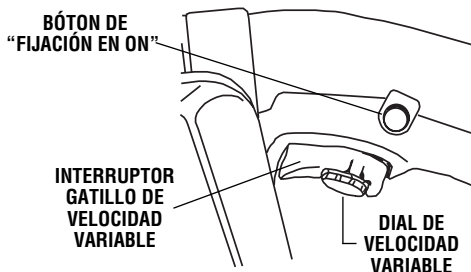
2. Luego, empuje la palanca hacia atrás hasta su posición original para devolver la tensión a la correa.



Instrucciones de funcionamiento

INTERRUPTOR GATILLO DE VELOCIDAD VARIABLE CONTROLADA

La lijadora está equipada con un interruptor gatillo de velocidad variable. La lijadora se puede encender (posición "ON") o apagar (posición "OFF") apretando o soltando el gatillo. La velocidad también se puede ajustar desde las RPM mínimas hasta las RPM máximas indicadas en la placa del fabricante por medio de la cantidad de presión que usted ejerce sobre el gatillo. Ejercer más presión para aumentar la velocidad y disminuir la presión para reducir la velocidad.



El botón de "Fijación en ON", ubicado cerca del gatillo, permite el funcionamiento continuo a RPM máximas sin sujetar el gatillo.

PARA FIJAR EL GATILLO EN LA POSICION ON: Apriete el gatillo, oprima el botón y suelte el gatillo.

PARA DESBLOQUEAR EL GATILLO: Apriete el gatillo y suéltelo sin oprimir el botón de "Fijación en ON".

⚠ ADVERTENCIA Si se oprime continuamente el botón de "Fijación en ON", no se puede soltar el gatillo.

DIAL DE VELOCIDAD VARIABLE

Este dispositivo le permite a usted prefijar el gatillo a las velocidades deseadas por medio de la rotación del dial sobre el gatillo. No importa cual sea la presión ejercida sobre el gatillo, la herramienta no funcionará más rápido que la velocidad máxima prefijada. Usted puede cambiar la velocidad máxima prefijada simplemente girando el dial de ajuste 3 hasta una posición de mayor o menor velocidad. Como guía, se aplican las siguientes selecciones de velocidad:

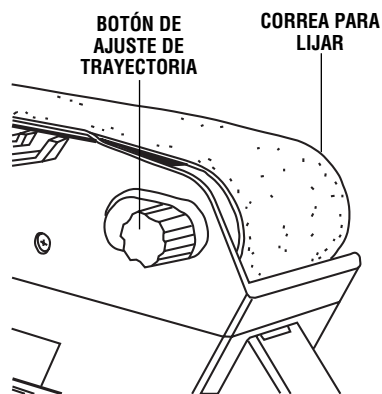
Posición del dial	Material/aplicación
A a C	Superficies delicadas, enchapados y con armazón de lijar para acabado ligero de superficies
B a D	Plásticos u otras superficies donde la carga de la correa o la acumulación de calor es un problema
C a E	Madera sólida, remoción rápida de material, remoción de pintura
E	Servicio general, lijado de metal, madera aglomerada, lijado grueso sobre superficies ásperas

AJUSTE DE LA TRAYECTORIA

Coloque la lijadora boca abajo y sujétela firmemente con una mano, arranque el motor y observe la trayectoria de la correa para lijar. Si la correa se va hacia afuera, gire en el sentido de las agujas del reloj el botón de ajuste de alineación de la trayectoria y si la correa se va hacia adentro, gire el botón en sentido contrario al de las agujas del reloj.

Ajuste la correa hasta que el borde exterior de la correa esté nivelado con el borde exterior de las poleas delantera y trasera. Asegúrese de que la correa no roza con la franja de guía. Una vez que la correa se haya estabilizado, usted puede empezar a utilizar la herramienta. En algunos casos, la correa requerirá un ligero reajuste después de aplicarla a la superficie de trabajo.

Observe cuidadosamente la alineación de la trayectoria durante los primeros minutos de funcionamiento y reajuste según se requiera.



COLOCACIÓN Y RETIRADA DE LA BOLSA PARA POLVO

Introduzca el brazo de soporte en el soporte de la bolsa para polvo y monte el adaptador de goma sobre el adaptador angular. Para colocar la bolsa para polvo, empuje el adaptador angular sobre el orificio para polvo acoplándolo tanto como se pueda (Fig.1).

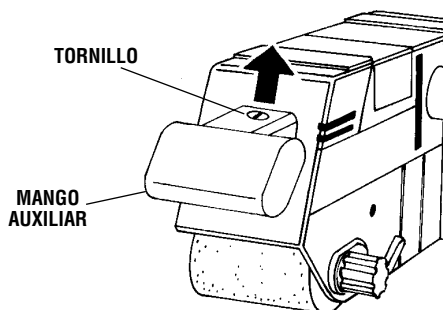
La bolsa para polvo se puede vaciar quitándola del adaptador angular y deslizándola por el brazo de soporte hasta que se suelte. Para una recogida de polvo más eficaz, vacíe la bolsa frecuentemente. Para una eficiencia adicional, hay disponibles una manguera de aspiración y un adaptador de aspiración (accesorios opcionales) que permitirán que la lijadora sea conectada a un sistema de aspiración de taller. Vea su catálogo Bosch respecto a estos accesorios "Airsweep" de Bosch opcionales.

LIJADO AL RAS

La lijadora ha sido diseñada para permitir un cómodo lijado al ras con el lado derecho de la lijadora.

MANGO AUXILIAR

Su lijadora está equipada con un mango auxiliar removible para cuando se lija en espacios reducidos. Para quitar el mango, saque el tornillo del mango y deslice el mango hacia afuera de la lijadora en la dirección de la flecha. Vuelva a instalar siempre el mango para una utilización normal.



Consejos para lijar

SELECCION DE LA CORREA PARA LIJAR

Es muy importante que usted seleccione la correa adecuada para cada aplicación específica. Para hacer esto, debe entender el método de marcado o codificación de la parte posterior de la mayoría de las correas. "CAPA CERRADA" (CLOSED COAT) significa que la superficie está densamente cubierta con todo el grano que el adhesivo puede retener. "CAPA ABIERTA" (OPEN COAT) significa que el grano abrasivo se ha aplicado uniformemente sobre la superficie pero de manera que queda separado. Una "capa abierta" no se obstruirá ni llenará tan fácilmente como una "capa cerrada". En general, las correas abrasivas de óxido de

aluminio son mejores para trabajar sobre madera porque son más resistentes y duran más. Las correas para lijar se deben guardar en un lugar fresco y seco. No las guarde cerca del calor ni cerca de una ventana donde el sol las pueda alcanzar.

TECNICA

Agarre los mangos con firmeza. Arranque la lijadora sin que la correa esté tocando la pieza de trabajo (NOTA: nunca arranque ni apague la herramienta con la correa en contacto con la superficie de trabajo). Coloque primero el talón de la lijadora sobre la pieza de trabajo. Luego, con un movimiento hacia adelante, comience la acción de pasada de lijado al bajar la máquina hasta la superficie de trabajo. Esto prevendrá el acanalado.

Mantenga la lijadora en movimiento para que su trabajo quede liso e igualado. La acción de pasada consiste simplemente en un movimiento hacia atrás y hacia adelante, y la mayor parte del lijado se realiza con el movimiento de tracción. Utilice un toque ligero. El peso de la lijadora de correa es la única presión que se requiere. Demasiada presión retrasará el trabajo al sobrecargar el motor y reducir la velocidad de la correa. El resultado será una disminución en la eficacia de lijado. Lije lenta y sistemáticamente y cuando se detenga levante la lijadora de la superficie antes de apagar la herramienta.

ACABADO DE MADERA

Asegúrese de seleccionar las correas juiciosamente. Para el alisado inicial de la madera sin trabajar, utilice un grano grueso o muy grueso y lije siguiendo la veta. En madera muy desigual o dura, lije diagonalmente (en dirección transversal a la veta). Tenga cuidado para evitar el acanalado. Cambie ahora a una correa de grano

mediano y lije siguiendo la veta. Esto proporcionará un acabado relativamente igualado y liso. Coloque ahora una correa de grano fino para el acabado final. Lije siempre siguiendo la veta para quitar los arañazos dejados por las correas más gruesas. Mantenga la lijadora en movimiento con acciones de pasada largas y ligeras durante las operaciones de acabado. Como toque final, los lijadores con experiencia a menudo colocarán una correa fina "usada" para proporcionar una superficie lisa para llenar, sellar, cepillar o rociar.

REACABADO DE MADERA REVESTIDA

La lijadora de correa también ayudará a quitar pintura, barniz o laca viejos; sin embargo, si el revestimiento consta de varias capas, quite tanto como pueda con un disolvente de pinturas o con un quitabarniz antes de utilizar la lijadora de correa. Use un rascador de mano para quitar los residuos dejados por el disolvente y deje que la superficie se seque completamente antes de lijar.

GUIA PARA OPERACIONES DE LIJADO DE MADERA

Correa abrasiva	Material/Aplicación
Capa abierta Grano 36 a 60	Remoción preliminar rápida de material, remoción de acabados viejos
Capa abierta Grano 60 a 100	Acabado intermedio
Capa abierta o cerrada, grano 120 a 180	Acabado fino
Capa abierta o cerrada, grano con 200 o más fino	Acabado extrafino, especialmente maderas duras

Quite muy bien todo el polvo causado por el lijado antes de revestir. Use un cepillo suave o una aspiradora y una manguera para quitar todo el polvo de las juntas o hendiduras.

Para una remoción rápida, comience con una correa de capa abierta de grano grueso. Cambie a correas de capa cerrada, usando granos medianos a medida que el material se vaya viendo a través del revestimiento. Cuando el revestimiento sea delgado, use grano mediano para evitar rayar el material. Use acciones de pasada cortas y ligeras, moviendo la lijadora rápidamente. La presión excesiva o el lijado constante sobre un sitio quemarán el revestimiento y cargarán la correa.

ACABADO DE METALES

Para metales ferrosos tales como acero, acero inoxidable, hierro, etc., utilice correas de capa abierta de grano grueso o correas de capa cerrada de grano grueso a grano fino, dependiendo del acabado deseado. Los metales no ferrosos tales como aluminio, soldadura de estaño, latón, bronce, etc, también se pueden lijar. Se recomienda cera de abeja o sebo como lubricantes para el lijado, pulido o acabado satinado de metales para minimizar la carga de la correa y para prolongar la vida de la correa. Para la utilización, simplemente frote el lubricante sobre la correa de vez en cuando. También se puede utilizar aceite lubricante SAE No. 10 ó 20 para asegurar una superficie lisa y sin arañazos. Simplemente limpie el aceite que está sobre la superficie antes de lijar.

Mantenimiento

Servicio

⚠ ADVERTENCIA El mantenimiento preventivo realizado por personal no autorizado puede dar lugar a la colocación incorrecta de cables y componentes internos que podría constituir un peligro serio. Recomendamos que todo el servicio de las herramientas sea realizado por un Centro de servicio de fábrica Bosch o por una Estación de servicio Bosch autorizada.

LUBRICACION DE LAS HERRAMIENTAS

Su herramienta Bosch ha sido lubricada adecuadamente y está lista para la utilización. Se recomienda que las herramientas con engranajes se vuelvan a engrasar con un lubricante especial para engranajes en cada cambio de escobillas.

ESCOBILLAS DE CARBON

Las escobillas y el conmutador de la herramienta han sido diseñados para muchas horas de servicio fiable. Para mantener un rendimiento óptimo del motor, recomendamos que cada dos a seis meses se examinen las escobillas. Sólo se deben usar escobillas de repuesto Bosch genuinas diseñadas específicamente para su herramienta.

RODAMIENTOS

Después de 300-400 horas de funcionamiento, o después de cada segundo cambio de escobillas, los rodamientos deben cambiarse en un Centro de servicio de fábrica Bosch o en una Estación de servicio

Bosch autorizada. Los rodamientos que se vuelven ruidosos (debido a la pesada carga o al corte de materiales muy abrasivos) deben ser sustituidos inmediatamente para evitar el sobrecalentamiento o el fallo del motor.

Limpieza

⚠ ADVERTENCIA Para evitar accidentes desconecte siempre la herramienta de la fuente de energía antes de la limpieza o de la realización de cualquier mantenimiento. La herramienta se puede limpiar más eficazmente con aire comprimido seco. Use gafas de seguridad siempre que limpie herramientas con aire comprimido.

Las aberturas de ventilación y las palancas de interruptor deben mantenerse limpias y libres de materias extrañas. No intente limpiar introduciendo objetos puntiagudos a través de las aberturas.

⚠ PRECAUCION Ciertos agentes de limpieza y disolventes dañan las piezas de plástico. Algunos de estos son: gasolina, tetracloruro de carbono, disolventes de limpieza clorados, amoníaco y detergentes domésticos que contienen amoníaco.

Accesorios

⚠ ADVERTENCIA Si es necesario un cordón de extensión, se debe usar un cordón con conductores de tamaño adecuado que sea capaz de transportar la corriente necesaria para la herramienta. Esto evitará caídas de tensión excesivas, pérdida de potencia o recalentamiento. Las herramientas conectadas a tierra deben usar cordones de extensión de 3 hilos que tengan enchufes de 3 terminales y receptáculos para 3 terminales.

NOTA: Cuanto más pequeño es el número de calibre, más grueso es el cordón.

TAMAÑOS RECOMENDADOS DE CORDONES DE EXTENSION HERRAMIENTAS DE 120 V CORRIENTE ALTERNA

Capacidad nominal en amperes de la herramienta	Tamaño del cordón en A.W.G.				Tamaños del cable en mm ²			
	Longitud del cordón en pies				Longitud del cordón en metros			
	25	50	100	150	15	30	60	120
3-6	18	16	16	14	0,75	0,75	1,5	2,5
6-8	18	16	14	12	0,75	1,0	2,5	4,0
8-10	18	16	14	12	0,75	1,0	2,5	4,0
10-12	16	16	14	12	1,0	2,5	4,0	—
12-16	14	12	—	—	—	—	—	—

* Dispositivo de bolsa de tela para polvo

* Correa para lijar

** Manguera de aspiración

** Adaptador de manguera/aspiración

(* = equipo estándar)

(** = accesorios opcionales)

LIMITED WARRANTY OF BOSCH PORTABLE AND BENCHTOP POWER TOOLS

Robert Bosch Tool Corporation ("Seller") warrants to the original purchaser only, that all BOSCH portable and benchtop power tools will be free from defects in material or workmanship for a period of one year from date of purchase. SELLER'S SOLE OBLIGATION AND YOUR EXCLUSIVE REMEDY under this Limited Warranty and, to the extent permitted by law, any warranty or condition implied by law, shall be the repair or replacement of parts, without charge, which are defective in material or workmanship and which have not been misused, carelessly handled, or misrepaired by persons other than Seller or Authorized Service Station. To make a claim under this Limited Warranty, you must return the complete portable or benchtop power tool product, transportation prepaid, to any BOSCH Factory Service Center or Authorized Service Station. For Authorized BOSCH Power Tool Service Stations, please refer to your phone directory.

THIS LIMITED WARRANTY DOES NOT APPLY TO ACCESSORY ITEMS SUCH AS CIRCULAR SAW BLADES, DRILL BITS, ROUTER BITS, JIGSAW BLADES, SANDING BELTS, GRINDING WHEELS AND OTHER RELATED ITEMS.

ANY IMPLIED WARRANTIES SHALL BE LIMITED IN DURATION TO ONE YEAR FROM DATE OF PURCHASE. SOME STATES IN THE U.S., SOME CANADIAN PROVINCES DO NOT ALLOW LIMITATIONS ON HOW LONG AN IMPLIED WARRANTY LASTS, SO THE ABOVE LIMITATION MAY NOT APPLY TO YOU.

IN NO EVENT SHALL SELLER BE LIABLE FOR ANY INCIDENTAL OR CONSEQUENTIAL DAMAGES (INCLUDING BUT NOT LIMITED TO LIABILITY FOR LOSS OF PROFITS) ARISING FROM THE SALE OR USE OF THIS PRODUCT. SOME STATES IN THE U.S. AND SOME CANADIAN PROVINCES DO NOT ALLOW THE EXCLUSION OR LIMITATION OF INCIDENTAL OR CONSEQUENTIAL DAMAGES, SO THE ABOVE LIMITATION OR EXCLUSION MAY NOT APPLY TO YOU.

THIS LIMITED WARRANTY GIVES YOU SPECIFIC LEGAL RIGHTS, AND YOU MAY ALSO HAVE OTHER RIGHTS WHICH VARY FROM STATE TO STATE IN THE U.S., PROVINCE TO PROVINCE IN CANADA AND FROM COUNTRY TO COUNTRY.

THIS LIMITED WARRANTY APPLIES ONLY TO PORTABLE AND BENCHTOP ELECTRIC TOOLS SOLD WITHIN THE UNITED STATES OF AMERICA, CANADA AND THE COMMONWEALTH OF PUERTO RICO. FOR WARRANTY COVERAGE WITHIN OTHER COUNTRIES, CONTACT YOUR LOCAL BOSCH DEALER OR IMPORTER.

GARANTIE LIMITÉE DES OUTILS ÉLECTRIQUES PORTATIFS ET D'ÉTABLI BOSCH

Robert Bosch Tool Corporation (le « vendeur ») garantit à l'acheteur initial seulement que tous les outils électriques portatifs et d'établi BOSCH seront exempts de vices de matériaux ou d'exécution pendant une période d'un an depuis la date d'achat. LA SEULE OBLIGATION DU VENDEUR ET LE SEUL RECOURS DE L'ACHETEUR sous la présente garantie limitée, et en autant que la loi le permette sous toute garantie ou condition implicite qui en découlerait, sera l'obligation de remplacer ou réparer gratuitement les pièces défectueuses matériellement ou comme fabrication, pourvu que lesdites défectosités ne soient pas attribuables à un usage abusif ou à quelque réparation bricolée par quelqu'un d'autre que le vendeur ou le personnel d'une station-service agréée. Pour présenter une réclamation en vertu de cette garantie limitée, vous devez renvoyer l'outil électrique portatif ou d'établi complet, port payé, à tout centre de service agréé ou centre de service usine. Veuillez consulter votre annuaire téléphonique pour les adresses.

LA PRÉSENTE GARANTIE NE S'APPLIQUE PAS AUX ACCESSOIRES TELS QUE LAMES DE SCIES CIRCULAIRES, MÊCHES DE PERCEUSES, FERS DE TOUPIES, LAMES DE SCIES SAUTEUSES, COURROIES DE PONÇAGE, MEULES ET AUTRES ARTICLES DU GENRE.

TOUTE GARANTIE IMPLICITE SERA LIMITÉE COMME DURÉE À UN AN À COMPTER DE LA DATE D'ACHAT. CERTAINS ÉTATS AMÉRICAINS, CERTAINES PROVINCES CANADIENNES N'ADMETTANT PAS LE PRINCIPE DE LA LIMITATION DE LA DURÉE DES GARANTIES IMPLICITES, IL EST POSSIBLE QUE LES LIMITATIONS CI-DESSUS NE S'APPLIQUENT PAS À VOTRE CAS.

EN AUCUN CAS LE VENDEUR NE SAURAIT ÊTRE TENU POUR RESPONSABLE DES INCIDENTS OU DOMMAGES INDIRECTS (INCLUANT, MAIS NE SE LIMITANT PAS AUX PERTES DE PROFITS) CONSÉQUENTS À LA VENTE OU L'USAGE DE CE PRODUIT. CERTAINS ÉTATS AMÉRICAINS ET CERTAINES PROVINCES CANADIENNES N'ADMETTANT PAS LE PRINCIPE DE LA LIMITATION NI L'EXCLUSION DES DOMMAGES INDIRECTS ET CONSÉQUENTS, IL EST POSSIBLE QUE LES LIMITATIONS OU EXCLUSIONS CI-DESSUS NE S'APPLIQUENT PAS À VOTRE CAS.

LA PRÉSENTE GARANTIE VOUS ACCORDE DES DROITS BIEN DÉTERMINÉS, Y COMPRIS POSSIBLEMENT CERTAINS DROITS VARIABLES DANS LES DIFFÉRENTS ÉTATS AMÉRICAINS, PROVINCES CANADIENNES.

CETTE GARANTIE LIMITÉE NE S'APPLIQUE QU'ÀUX OUTILS ÉLECTRIQUES PORTATIFS ET D'ÉTABLI VENDUS AUX ÉTATS-UNIS D'AMÉRIQUE, AU CANADA ET AU COMMONWEALTH DE PORTO RICO. POUR COUVERTURE DE GARANTIE DANS LES AUTRES PAYS, CONTACTEZ VOTRE IMPORTATEUR OU REVENDEUR BOSCH LOCAL.

GARANTIA LIMITADA PARA HERRAMIENTAS MECANICAS PORTATILES Y PARA TABLERO DE BANCO BOSCH

Robert Bosch Tool Corporation ("el Vendedor") garantiza, únicamente al comprador original, que todas las herramientas mecánicas portátiles y para tablero de banco BOSCH estarán libres de defectos de material o de fabricación durante un período de un año a partir de la fecha de compra. LA ÚNICA OBLIGACION DEL VENDEDOR Y EL RECURSO EXCLUSIVO QUE USTED TIENE bajo esta Garantía Limitada y, hasta donde la ley lo permita, bajo cualquier garantía o condición implícita por ley, consistirá en la reparación o sustitución sin costo de las piezas que presenten defectos de material o de fabricación y que no hayan sido utilizadas incorrectamente, manejadas descuidadamente o reparadas incorrectamente por personas que no sean el Vendedor o una Estación de servicio autorizada. Para efectuar una reclamación bajo esta Garantía Limitada, usted debe devolver el producto, que consiste en la herramienta mecánica portátil o para tablero de banco completa, con el transporte pagado, a cualquier Centro de servicio de fábrica o Estación de servicio autorizada. Para Estaciones de servicio autorizadas de herramientas mecánicas BOSCH, por favor, consulte el directorio telefónico.

ESTA GARANTIA LIMITADA NO SE APLICA A ARTICULOS ACCESORIOS TALES COMO HOJAS PARA SIERRAS CIRCULARES, BROCAS PARA TALADROS, BROCAS PARA FRESADORAS, HOJAS PARA SIERRAS DE VAIVEN, CORREAS PARA LIJAR, RUEDAS DE AMOLAR Y OTROS ARTICULOS RELACIONADOS.

TODAS LAS GARANTIAS IMPLICITAS TENDRAN UNA DURACION LIMITADA A UN AÑO A PARTIR DE LA FECHA DE COMPRA. ALGUNOS ESTADOS DE LOS EE.UU., ALGUNAS PROVINCIAS CANADIENSES NO PERMITEN LIMITACIONES EN CUANTO A LA DURACION DE UNA GARANTIA IMPLICITA, POR LO QUE ES POSIBLE QUE LA LIMITACION ANTERIOR NO SEA APLICABLE EN EL CASO DE USTED.

EL VENDEDOR NO SERA RESPONSABLE EN NINGUN CASO DE NINGUN DAÑO INCIDENTAL O EMERGENTE (INCLUYENDO PERO NO LIMITADO A RESPONSABILIDAD POR PERDIDA DE BENEFICIOS) QUE SE PRODUZCA COMO CONSECUENCIA DE LA VENTA O UTILIZACION DE ESTE PRODUCTO. ALGUNOS ESTADOS DE LOS EE.UU. Y ALGUNAS PROVINCIAS CANADIENSES NO PERMITEN LA EXCLUSION O LIMITACION DE LOS DAÑOS INCIDENTALES O EMERGENTES, POR LO QUE ES POSIBLE QUE LA LIMITACION O EXCLUSION ANTERIOR NO SEA APLICABLE EN EL CASO DE USTED.

ESTA GARANTIA LIMITADA LE CONFIERE A USTED DERECHOS LEGALES ESPECIFICOS Y ES POSIBLE QUE USTED TAMBIEN TENGA OTROS DERECHOS QUE VARIAN DE ESTADO A ESTADO EN LOS EE.UU., DE PROVINCIA A PROVINCIA EN CANADA.

ESTA GARANTIA LIMITADA SE APLICA SOLAMENTE A HERRAMIENTAS ELECTRICAS PORTATILES Y PARA TABLERO DE BANCO VENDIDAS EN LOS ESTADOS UNIDOS DE AMERICA, CANADA Y EL ESTADO LIBRE ASOCIADO DE PUERTO RICO. PARA COBERTURA DE GARANTIA EN OTROS PAISES, PONGASE EN CONTACTO CON SU DISTRIBUIDOR O IMPORTADOR LOCAL DE BOSCH.

© Robert Bosch Tool Corporation 1800 W. Central Road Mt. Prospect, IL 60056 -2230

Exportado por: Robert Bosch Tool Corporation Mt. Prospect, IL 60056 -2230, E.U.A.

Importado en México por: Robert Bosch, S.A. de C.V., Calle Robert Bosch No. 405, Zona Industrial,
Toluca, Edo. de México, C.P. 50070, Tel. (722) 2792300

Free Manuals Download Website

<http://myh66.com>

<http://usermanuals.us>

<http://www.somanuals.com>

<http://www.4manuals.cc>

<http://www.manual-lib.com>

<http://www.404manual.com>

<http://www.luxmanual.com>

<http://aubethermostatmanual.com>

Golf course search by state

<http://golfingnear.com>

Email search by domain

<http://emailbydomain.com>

Auto manuals search

<http://auto.somanuals.com>

TV manuals search

<http://tv.somanuals.com>