

**IMPORTANT:**  
**Read Before Using**

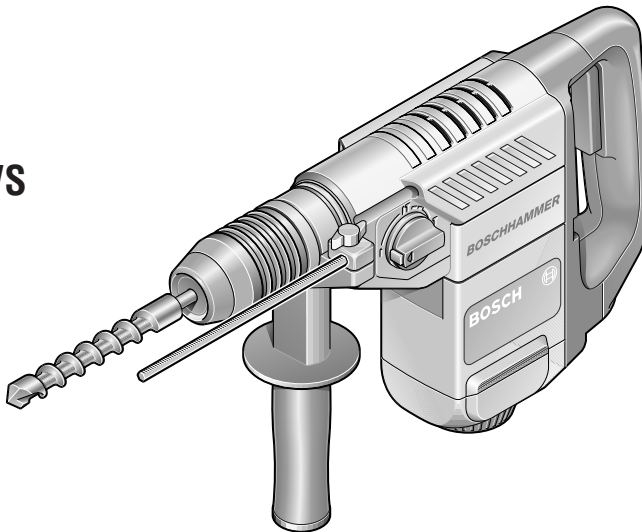
**IMPORTANT :**  
**Lire avant usage**

**IMPORTANTE:**  
**Leer antes de usar**



**Operating/Safety Instructions**  
**Consignes de fonctionnement/sécurité**  
**Instrucciones de funcionamiento y seguridad**

**11236VS**



**BOSCH**

**Call Toll Free for  
Consumer Information  
& Service Locations**

**Pour obtenir des informations  
et les adresses de nos centres  
de service après-vente,  
appelez ce numéro gratuit**

**Llame gratis para  
obtener información  
para el consumidor y  
ubicaciones de servicio**

**1-877-BOSCH99 (1-877-267-2499) [www.boschtools.com](http://www.boschtools.com)**

**For English Version  
See page 2**

**Version française  
Voir page 10**

**Versión en español  
Ver la página 18**

## General Power Tool Safety Warnings

**⚠ WARNING** Read all safety warnings and instructions. Failure to follow the warnings and instructions may result in electric shock, fire and/or serious injury.

### SAVE ALL WARNINGS AND INSTRUCTIONS FOR FUTURE REFERENCE

The term "power tool" in all of the warnings listed below refers to your mains-operated (corded) power tool or battery-operated (cordless) power tool.

#### Work area safety

**Keep work area clean and well lit.** Cluttered or dark areas invite accidents.

**Do not operate power tools in explosive atmospheres, such as in the presence of flammable liquids, gases or dust.** Power tools create sparks which may ignite the dust or fumes.

**Keep children and bystanders away while operating a power tool.** Distractions can cause you to lose control.

#### Electrical safety

**Power tool plugs must match the outlet. Never modify the plug in any way. Do not use any adapter plugs with earthed (grounded) power tools.** Unmodified plugs and matching outlets will reduce risk of electric shock.

**Avoid body contact with earthed or grounded surfaces such as pipes, radiators, ranges and refrigerators.** There is an increased risk of electric shock if your body is earthed or grounded.

**Do not expose power tools to rain or wet conditions.** Water entering a power tool will increase the risk of electric shock.

**Do not abuse the cord. Never use the cord for carrying, pulling or unplugging the power tool. Keep cord away from heat, oil, sharp edges or moving parts.** Damaged or entangled cords increase the risk of electric shock.

**When operating a power tool outdoors, use an extension cord suitable for outdoor use.** Use of a cord suitable for outdoor use reduces the risk of electric shock.

**If operating the power tool in damp locations is unavoidable use a Ground Fault Circuit Interrupter (GFCI) protected supply.** Use of a GFCI reduce the risk of electric shock.

GFCI and personal protection devices like electrician's rubber gloves and footwear will further enhance your personal safety.

**Do not use AC only rated tools with a DC power supply.** While the tool may appear to work, the electrical components of the AC rated tool are likely to fail and create a hazard to the operator.

#### Personal safety

**Stay alert, watch what you are doing and use common sense when operating a power tool. Do not use a power tool while you are tired or under the influence of drugs, alcohol or medication.** A moment of inattention while operating power tools may result in serious personal injury.

**Use personal protective equipment. Always wear eye protection.** Protective equipment such as dust mask, non-skid safety shoes, hard hat, or hearing protection used for appropriate conditions will reduce personal injuries.

**Prevent unintentional starting. Ensure the switch is in the off-position before connecting to power source and / or battery pack, picking up or carrying the tool.** Carrying power tools with your finger on the switch or plugging in power tools that have the switch on invites accidents.

**Remove any adjusting key or wrench before turning the power tool on.** A wrench or a key left attached to a rotating part of the power tool may result in personal injury.

**Do not overreach. Keep proper footing and balance at all times.** This enables better control of the power tool in unexpected situations.

**Dress properly. Do not wear loose clothing or jewelry. Keep your hair, clothing and gloves away from moving parts.** Loose clothes, jewelry or long hair can be caught in moving parts.

**If devices are provided for the connection of dust extraction and collection facilities, ensure these are connected and properly used.** Use of dust collection can reduce dust-related hazards.

**Keep handles dry, clean and free from oil and grease.** Slippery hands cannot safely control the power tool.

### Power tool use and care

**Do not force the power tool. Use the correct power tool for your application.** The correct power tool will do the job better and safer at the rate for which it was designed.

**Do not use the power tool if the switch does not turn it on and off.** Any power tool that cannot be controlled with the switch is dangerous and must be repaired.

**Disconnect the plug from the power source and/or the battery pack from the power tool before making any adjustments, changing accessories, or storing power tools.** Such preventive safety measures reduce the risk of starting the power tool accidentally.

**Store idle power tools out of the reach of children and do not allow persons unfamiliar with the power tool or these instructions to operate the power tool.** Power tools are dangerous in the hands of untrained users.

**Maintain power tools. Check for misalignment or binding of moving parts, breakage of parts and any other condition that may affect the power tools operation. If damaged, have the power tool repaired before use.** Many accidents are caused by poorly maintained power tools.

**Keep cutting tools sharp and clean.** Properly maintained cutting tools with sharp cutting

edges are less likely to bind and are easier to control.

**Use the power tool, accessories and tool bits etc. in accordance with these instructions, taking into account the working conditions and the work to be performed.** Use of the power tool for operations different from those intended could result in a hazardous situation.

**Use clamps or other practical way to secure and support the workpiece to a stable platform.** Holding the work by hand or against your body is unstable and may lead to loss of control.

### Service

**Have your power tool serviced by a qualified repair person using only identical replacement parts.** This will ensure that the safety of the power tool is maintained.

**Develop a periodic maintenance schedule for your tool. When cleaning a tool be careful not to disassemble any portion of the tool since internal wires may be misplaced or pinched or safety guard return springs may be improperly mounted.** Certain cleaning agents such as gasoline, carbon tetrachloride, ammonia, etc. may damage plastic parts.

Risk of injury to user, power cord must only be serviced by a Bosch Factory Service Center or Authorized Bosch Service Station.

## SAVE ALL WARNINGS AND INSTRUCTIONS FOR FUTURE REFERENCE

### Rotary Hammer Safety Rules

**Wear ear protectors with impact drills.** Exposure to noise can cause hearing loss.

**Use auxiliary handles supplied with the tool.** Loss of control can cause personal injury.

**Hold power tools by insulated gripping surfaces when performing an operation where the cutting tool may contact hidden wiring or its own cord.** Contact with a "live" wire will make exposed metal parts of the tool "live" and shock the operator.

**Use clamps or other practical way to secure and support the workpiece to a stable platform.** Holding the work by hand or against your body is unstable and may lead to loss of control.

Do not drill, fasten or break into existing walls or other blind areas where electrical wiring may exist. If this situation is unavoidable, disconnect all fuses or circuit breakers feeding this worksite.

**Use a metal detector to determine if there are gas or water pipes hidden in the work area or call the local utility company for assistance before beginning the operation.** Striking or cutting into a gas line will result in explosion. Water entering an electrical device may cause electrocution.

**Always use the side handle for maximum control over torque reaction or kick-back. Never attempt to operate this tool with one hand.** The slip clutch engages if you firmly control the tool during a torque reaction or kickback.

**Always wear safety goggles or eye protection when using this tool. Use a dust mask or respirator for applications which generate dust.** Safety goggles or eye protection will help deflect fragments of the material that may be thrown toward your face and eyes. Dust generated or gases released from the material you are cutting (i.e. asbestos insulated pipes, radon) may cause respiratory difficulties.

**Use thick cushioned gloves and limit the exposure time by taking frequent rest periods.** Vibration caused by hammer-drill action may be harmful to your hands and arms.

**Position the cord clear of rotating bit. Do not wrap the cord around your arm or wrist.** If cord becomes entangled with the spinning bit it could entrap you causing serious personal injury.

**Position yourself to avoid being caught between the tool or side handle and walls or posts.** Should the bit become bound or jammed in the work, the reaction torque of the tool could crush your hand or leg.

**Do not strike the bit with a handheld hammer or sledge hammer when attempting to dislodge a bound or jammed bit.** Fragments of metal from the bit could dislodge and strike you or bystanders.

**Never place the tool down until the bit or accessory have come to a complete stop.**

**Do not use dull or damaged bits and accessories.** Dull or damaged bits have a greater tendency to bind in the workpiece.

**When removing the bit from the tool avoid contact with skin and use proper protective gloves when grasping the bit or accessory.** Accessories may be hot after prolonged use.

**Do not run the tool while carrying it at your side.** The spinning drill bit may become entangled with clothing and injury may result.



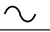

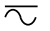




**⚠ WARNING** Some dust created by power sanding, sawing, grinding, drilling, and other construction activities contains chemicals known to cause cancer, birth defects or other reproductive harm. Some examples of these chemicals are:

- Lead from lead-based paints,
- Crystalline silica from bricks and cement and other masonry products, and
- Arsenic and chromium from chemically-treated lumber.

Your risk from these exposures varies, depending on how often you do this type of work. To reduce your exposure to these chemicals: work in a well ventilated area, and work with approved safety equipment, such as those dust masks that are specially designed to filter out microscopic particles.

## Symbols

**IMPORTANT:** Some of the following symbols may be used on your tool. Please study them and learn their meaning. Proper interpretation of these symbols will allow you to operate the tool better and safer.

Symbol	Name	Designation/Explanation
V	Volts	Voltage (potential)
A	Amperes	Current
Hz	Hertz	Frequency (cycles per second)
W	Watt	Power
kg	Kilograms	Weight
min	Minutes	Time
s	Seconds	Time
∅	Diameter	Size of drill bits, grinding wheels, etc.
n <sub>0</sub>	No load speed	Rotational speed, at no load
.../min	Revolutions or reciprocation per minute	Revolutions, strokes, surface speed, orbits etc. per minute
0	Off position	Zero speed, zero torque...
1, 2, 3, ... I, II, III,	Selector settings	Speed, torque or position settings. Higher number means greater speed
0 	Infinitely variable selector with off	Speed is increasing from 0 setting
	Arrow	Action in the direction of arrow
	Alternating current	Type or a characteristic of current
	Direct current	Type or a characteristic of current
	Alternating or direct current	Type or a characteristic of current
	Class II construction	Designates Double Insulated Construction tools.
	Earthing terminal	Grounding terminal
	Warning symbol	Alerts user to warning messages
	Li-ion RBRC seal	Designates Li-ion battery recycling program



This symbol designates that this tool is listed by Underwriters Laboratories.



This symbol designates that this tool is listed by the Canadian Standards Association, to United States and Canadian Standards.



This symbol designates that this tool is listed by the Canadian Standards Association.



This symbol designates that this tool is listed by Underwriters Laboratories, to United States and Canadian Standards.



This symbol designates that this tool is listed by the Intertek Testing Services, to United States and Canadian Standards.



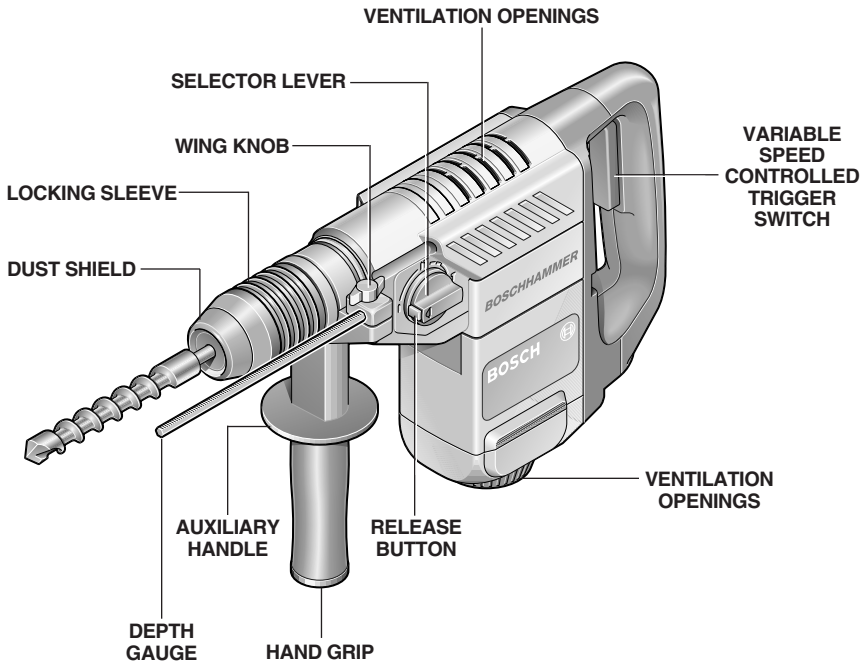
This symbol designates that this tool complies to NOM Mexican Standards.

## Functional Description and Specifications

**WARNING** Disconnect the plug from the power source before making any assembly, adjustments or changing accessories. Such preventive safety measures reduce the risk of starting the tool accidentally.

### Rotary Hammer

FIG. 1



Model number	11236VS
Voltage rating	120V ~ 50 - 60Hz
Amperage rating	7.5 A
No load speed	$n_0$ 0-850/min
Shank style	SDS-plus®

Maximum Capacities:	
Carbide tipped bits	1-1/8"
Thin wall core bits	3"

## Operating Instructions

### VARIABLE SPEED CONTROLLED TRIGGER SWITCH

Your tool is equipped with a variable speed trigger switch. The tool speed can be controlled from the minimum to the maximum nameplate RPM by the pressure you apply to the trigger. Apply more pressure to increase the speed and release pressure to decrease speed. This accurate speed control enables you to drill without center punching. It also permits you to use as a power screwdriver. Accessories are available for driving screws as well as running bolts and nuts.

### INSTALLING SDS-plus® ACCESSORIES

Clean the insert shank end of the accessory to remove any debris, then lightly grease with a light oil or lubricant

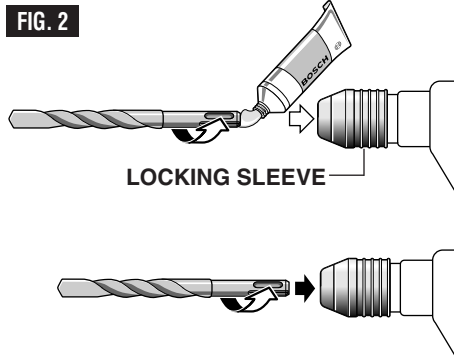
Insert accessory into the bit holder through the dust shield, while twisting and pushing inward until it locks automatically into place. Pull outward on the accessory to be certain it is locked into the bit holder (Fig. 2).

**NOTE:** The high efficiency available from the rotary hammers can only be obtained if sharp and undamaged accessories are used. The "cost" to maintain sharp and undamaged accessories is more than offset by the "time saved" in operating the tool with sharp accessories.

### REMOVING SDS-plus® ACCESSORIES

**WARNING** Accessories may be hot after use. Avoid contact with skin and use proper protective gloves or cloth to remove.

To remove an accessory, pull and hold locking sleeve backward and pull bit forward. All accessories should be wiped clean after removing.



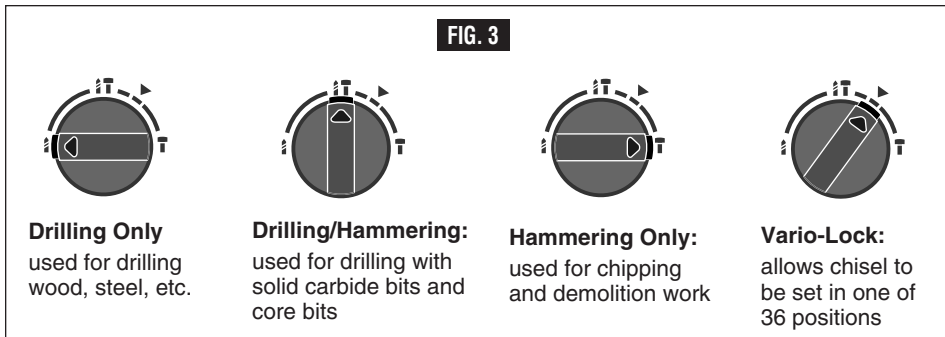
**SELECTOR LEVER**  
The selector lever allows the tool to be set for various applications as listed in the following chart, (Fig. 3).

When using demolition or chipping bits such as bull points, chisels, spades, gouges, etc. the "Hammer Only" mode must be selected.

### SELECTOR LEVER - "VARIO-LOCK"

The vario-lock can be set in any one of twelve positions (30° increments). Choose a position which is best suited for your operation. The Vario-Lock position is intended for use with chipping bits such as bull points, spades, gouges, etc.

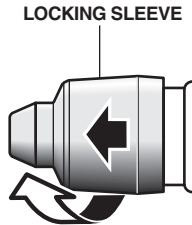
Depress release button and turn the selector lever to the "vario-lock" setting. Next, rotate the locking sleeve, along with the accessory, to the desired position. Then turn the selector lever to the "hammer only" setting and slightly turn the locking sleeve to have it automatically lock into a definite position.



**QUICK CHANGE SDS-plus® BIT HOLDER**

This tool features a removable bit holder, which allows a rapid exchange of the SDS-plus bit holder should it become damaged.

To remove the SDS-plus bit holder assembly, rotate the locking sleeve in the rotational direction of the bit (clockwise) until it stops. When the locking sleeve stops, pull the whole SDS-plus bit holder assembly outward



until it pulls free from the tool's spindle mount.

To re-install SDS-plus bit holder, align the steel balls inside the accessory with the grooves in the front of the tool's spindle mount. Next rotate the bit holder's locking sleeve (clockwise) until it stops. Then press slightly inward towards back of tool until it locks in place.

After installing the bit holder always pull outward on the bit holder to be certain it is locked onto to spindle mount.

**SLIP CLUTCH**

The tool has a internal pre-set slip clutch. The output spindle will stop rotating if the accessory binds and overloads the tool.

**AUXILIARY HANDLE**

The tool can be supported with the auxiliary handle, which can be swiveled 360°. To reposition and/or swivel the handle, loosen the hand grip, move the handle to the desired position along the barrel and securely retighten the hand grip.

**DEPTH GAUGE**

Your drilling depth can be pre-set and/or repeated by using the depth gauge.

Setting depth: After the auxiliary handle is installed, slide the depth gauge to desired depth and securely tighten wing knob.

**"TOOL TIPS"**

For the best penetration rates in concrete, run the tool with a steady pressure, but do

not use excessive force as this will decrease the efficiency of the tool.

All grease packed hammers require a short period of time to warm up. Depending on the room temperature, this time may vary from approximately 15 seconds (90°F) to 2 minutes (32°F). A new hammer requires a break-in period before full performance is realized. This period may require up to 5 hours of operation.

A rotary hammer is likely to be the most expensive portable tool at the construction job. The long wear and efficient operation of the BOSCH hammers will more than justify the cost for tools of this type. As earlier pointed out, sharp accessories as well as clean air vents are necessary for efficient operation. Establish and follow a set maintenance program.



## Maintenance

### Service

**⚠ WARNING** Preventive maintenance performed by unauthorized personnel may result in misplacing of internal wires and components which could cause serious hazard. We recommend that all tool service be performed by a Bosch Factory Service Center or Authorized Bosch Service Station.

### TOOL LUBRICATION

Your Bosch tool has been properly lubricated and is ready to use. It is recommended that tools with gears be regreased with a special gear lubricant at every brush change.

### CARBON BRUSHES

The brushes and commutator in your tool have been engineered for many hours of dependable service. To maintain peak efficiency of the motor, we recommend every two to six months the brushes be examined. Only genuine Bosch replacement brushes specially designed for your tool should be used.

### BEARINGS

After about 300-400 hours of operation, or at every second brush change, the bearings

should be replaced at Bosch Factory Service Center or Authorized Bosch Service Station. Bearings which become noisy (due to heavy load or very abrasive material cutting) should be replaced at once to avoid overheating or motor failure.

### Cleaning

**⚠ WARNING** To avoid accidents always disconnect the tool from the power supply before cleaning or performing any maintenance. The tool may be cleaned most effectively with compressed dry air. **Always wear safety goggles when cleaning tools with compressed air.**

Ventilation openings and switch levers must be kept clean and free of foreign matter. Do not attempt to clean by inserting pointed objects through openings.

**⚠ CAUTION** Certain cleaning agents and solvents damage plastic parts. Some of these are: gasoline, carbon tetrachloride, chlorinated cleaning solvents, ammonia and household detergents that contain ammonia.

## Accessories

**⚠ WARNING** If an extension cord is necessary, a cord with adequate size conductors that is capable of carrying the current necessary for your tool must be used. This will prevent excessive voltage drop, loss of power or overheating. Grounded tools must use 3-wire extension cords that have 3-prong plugs and receptacles.

**NOTE:** The smaller the gauge number, the heavier the cord.

RECOMMENDED SIZES OF EXTENSION CORDS  
120 VOLT ALTERNATING CURRENT TOOLS

Tool's Ampere Rating	Cord Size in A.W.G.				Wire Sizes in mm <sup>2</sup>			
	Cord Length in Feet				Cord Length in Meters			
	25	50	100	150	15	30	60	120
3-6	18	16	16	14	0.75	0.75	1.5	2.5
6-8	18	16	14	12	0.75	1.0	2.5	4.0
8-10	18	16	14	12	0.75	1.0	2.5	4.0
10-12	16	16	14	12	1.0	2.5	4.0	—
12-16	14	12	—	—	—	—	—	—

- \* Auxiliary Handle
- \* Carrying case

(\* = standard equipment)  
(\*\* = optional accessories)

## Avertissements généraux concernant la sécurité des outils électroportatifs



### AVERTISSEMENT

Veillez lire tous les avertissements et toutes les consignes de sécurité. Si l'on n'observe pas ces avertissements et ces consignes de sécurité, il existe un risque de choc électrique, d'incendie et/ou de blessures corporelles graves.

### CONSERVEZ TOUS LES AVERTISSEMENTS ET TOUTES LES CONSIGNES DE SÉCURITÉ POUR RÉFÉRENCE FUTURE.

Dans toutes les mises en garde ci-dessous, le terme « outil électroportatif » se rapporte à des outils branchés sur le secteur (avec fil) ou à des outils alimentés par piles (sans fil).

#### Sécurité du lieu de travail

**Maintenez le lieu de travail propre et bien éclairé.** Les risques d'accident sont plus élevés quand on travaille dans un endroit encombré ou sombre.

**N'utilisez pas d'outils électroportatifs dans des atmosphères explosives, comme par exemple en présence de gaz, de poussières ou de liquides inflammables.** Les outils électroportatifs produisent des étincelles qui risquent d'enflammer les poussières ou les vapeurs.

**Éloignez les enfants et les visiteurs quand vous vous servez d'un outil électroportatif.** Vous risquez une perte de contrôle si on vous distrait.

#### Sécurité électrique

**Les fiches des outils électroportatifs doivent correspondre à la prise. Il ne faut absolument jamais modifier la fiche. N'utilisez pas d'adaptateur de prise avec des outils électroportatifs munis d'une fiche de terre.** Le risque de choc électrique est moindre si on utilise une fiche non modifiée sur une prise qui lui correspond.

**Évitez tout contact du corps avec des surfaces reliées à la terre tels que tuyaux, radiateurs, gazinières ou réfrigérateurs.** Le risque de choc électrique augmente si votre corps est relié à la terre.

**N'exposez pas les outils électroportatifs à la pluie ou à l'humidité.** Si de l'eau pénètre dans un outil électroportatif, le risque de choc électrique augmente.

**Ne maltraitez pas le cordon. Ne vous en servez jamais pour transporter l'outil électroportatif, pour le tirer ou pour le débrancher. Éloignez le cordon de la chaleur, des huiles, des arêtes coupantes ou des pièces mobiles.** Les cordons abîmés ou emmêlés augmentent les risques de choc électrique.

**Si vous utilisez un outil électroportatif à l'extérieur, employez une rallonge conçue pour l'extérieur.** Ces rallonges sont faites pour l'extérieur et réduisent le risque de choc électrique.

**S'il est absolument nécessaire d'utiliser l'outil électroportatif dans des endroits humides, utilisez une alimentation protégée par un disjoncteur de fuite de terre (GFCI).** L'utilisation d'un disjoncteur GFCI réduit les risques de choc électrique.

L'emploi d'un GFCI et de dispositifs de protection personnelle tels que gants et chaussures d'électricien en caoutchouc améliorent votre sécurité personnelle.

**N'utilisez pas un outil conçu uniquement pour le C.A. sur une alimentation en C.C.** Même si l'outil semble fonctionner, les composants électriques d'un outil prévu pour le C.A. tomberont probablement en panne et risquent de créer un danger pour l'utilisateur.

#### Sécurité personnelle

**Restez concentré, faites attention à ce que vous faites, et servez-vous de votre bon sens lorsque vous utilisez un outil électroportatif. N'employez pas d'outils électroportatifs quand vous êtes fatigué ou sous l'emprise de drogues, d'alcool ou de médicaments.** Quand on utilise des outils électroportatifs, il suffit d'un moment d'inattention pour causer des blessures corporelles graves.

**Utilisez des équipements de sécurité personnelle. Portez toujours une protection oculaire.** Le port d'équipements de sécurité tels que des masques antipoussières, des chaussures de sécurité antidérapantes, des casques de chantier et des protecteurs d'oreilles dans des conditions appropriées réduira le risque de blessure corporelle.

**Évitez les démarrages intempestifs. Assurez-vous que l'interrupteur est dans la position arrêt (Off) avant de brancher l'outil dans une prise de courant et/ou un bloc-piles, de le ramasser ou de le transporter.** Transporter un outil électroportatif avec le doigt sur la gâchette ou le brancher quand l'interrupteur est en position "marche" (ON) présente des risques d'accident.

**Enlevez toutes les clés de réglage avant de mettre l'outil électroportatif en marche.** Si on laisse une clé sur une pièce tournante de l'outil électroportatif, il y a risque de blessure corporelle.

**Ne vous penchez pas. Conservez toujours une bonne assise et un bon équilibre.** Ceci vous permettra de mieux maîtriser l'outil électroportatif dans des situations inattendues.

**Habillez-vous de manière appropriée. Ne portez pas de vêtements amples ou de bijoux. Attachez les cheveux longs. N'approchez pas les cheveux, les vêtements ou les gants des pièces en mouvement.**

Les vêtements amples, les bijoux ou les cheveux longs risquent d'être happés par les pièces en mouvement.

**Si l'outil est muni de dispositifs permettant le raccordement d'un système d'aspiration et de collecte des poussières, assurez-vous que ces dispositifs sont raccordés et utilisés correctement.** L'utilisation d'un dépoussiéreur peut réduire les dangers associés à l'accumulation de poussière.

**Maintenez les poignées sèches et exemptes d'huile et de graisse.** On ne peut pas maîtriser un outil électroportatif en toute sécurité quand on a les mains glissantes.

### Utilisation et entretien des outils électroportatifs

**Ne forcez pas sur l'outil électroportatif. Utilisez l'outil électroportatif qui convient à la tâche à effectuer.** L'outil qui convient à la tâche fait un meilleur travail et est plus sûr à la vitesse pour lequel il a été conçu.

**Ne vous servez pas de l'outil électroportatif si son interrupteur ne parvient pas à le mettre en marche ou à l'arrêter.** Tout outil électroportatif qui ne peut pas être commandé par son interrupteur est dangereux et doit être réparé.

**Débranchez la fiche de la prise ou enlevez le bloc-pile de l'outil électroportatif avant tout réglage, changement d'accessoires ou avant de ranger l'outil électroportatif.** De telles mesures de sécurité préventive réduisent le risque de démarrage intempestif de l'outil électroportatif.

**Rangez les outils électroportatifs dont vous ne vous servez pas hors de portée des enfants et ne permettez pas à des personnes qui ne connaissent pas l'outil électroportatif ou qui ignorent ces consignes de s'en servir.** Les outils électroportatifs sont dangereux dans les mains d'utilisateurs inexpérimentés.

**Entretenez les outils électroportatifs. Vérifiez que les pièces mobiles sont alignées correctement et ne coincent pas. Vérifiez qu'il n'y a pas de pièces cassées ou d'autre circonstance qui risquent**

**d'affecter le fonctionnement de l'outil électroportatif. Si l'outil est abîmé, faites-le réparer avant de l'utiliser.** De nombreux accidents sont causés par des outils électroportatifs mal entretenus.

**Maintenez les outils coupants affûtés et propres.** Les outils coupants entretenus correctement et dotés de bords tranchants affûtés sont moins susceptibles de coincer et sont plus faciles à maîtriser.

**Utilisez l'outil électroportatif, les accessoires et les embouts d'outil, etc. conformément à ces instructions, en tenant compte des conditions de travail et des travaux à réaliser.** L'emploi d'outils électroportatifs pour des tâches différentes de celles pour lesquelles ils ont été prévus peut résulter en une situation dangereuse.

**Utilisez des brides ou d'autres moyens pratiques de brider ou de supporter la pièce sur une plate-forme stable.** Tenir la pièce à la main ou contre le corps est instable et risque de résulter en une perte de contrôle.

### Entretien

**Faites réparer votre outil électroportatif par un agent de service qualifié n'utilisant que des pièces de rechange identiques.** Ceci assure que la sécurité de l'outil électroportatif est préservée.

**Créez un agenda d'entretien périodique pour votre outil. Quand vous nettoyez un outil, faites attention de n'en démonter aucune pièce car il est toujours possible de mal remonter ou de pincer les fils internes ou de remonter incorrectement les ressorts de rappel des capots de protection.** Certains agents de nettoyage tels que l'essence, le tétrachlorure de carbone, l'ammoniaque, etc. risquent d'abîmer les plastiques.

Risque de blessure pour l'utilisateur. Le cordon d'alimentation électrique ne doit être réparé que par un Centre de service usine de Bosch ou par une Station service agréée de Bosch.

## CONSERVEZ TOUS LES AVERTISSEMENTS ET TOUTES LES CONSIGNES DE SÉCURITÉ POUR RÉFÉRENCE FUTURE.

### Règles de sécurité concernant les marteaux rotatifs

**Portez des protecteurs d'oreilles quand vous utilisez des perceuses à percussion.** L'exposition au bruit peut causer une perte d'acuité auditive.

**Utilisez les poignées auxiliaires fournies avec l'outil.** Une perte de contrôle pourrait causer des blessures physiques.

**Tenez les outils électroportatifs par les surfaces isolées de préhension en exécutant une opération**

**au cours de laquelle les outils de coupe peuvent venir en contact avec les fils cachés.** Le contact avec un fil sous tension rendra les pièces métalliques exposées de l'outil sous tension et causera des chocs à l'opérateur.

**Utilisez des brides ou d'autres moyens pratiques de brider ou de supporter la pièce sur une plate-forme stable.** Tenir la pièce à la main ou contre le corps est instable et risque de résulter en une perte de contrôle.

Ne percez, fixez et ne rentrez pas dans des murs existants ou autres endroits aveugles pouvant abriter des fils électriques. Si cette situation est inévitable, débranchez tous les fusibles ou les disjoncteurs alimentant ce site.

**Utilisez un détecteur de métaux afin d'établir s'il y a des tuyaux d'eau ou à gaz dissimulés dans l'aire de travail ou appelez la compagnie de service public locale pour assistance avant de commencer l'opération.** Le fait de frapper une conduite de gaz ou de couper dans celle-ci provoquera une explosion. L'eau pénétrant dans un appareil électrique peut entraîner une électrocution.

**Utilisez toujours la poignée auxiliaire pour un contrôle maximal sur le rebond ou la réaction de couple. Ne tentez jamais d'utiliser cet outil d'une seule main.** L'embrayage à friction s'enclenche si vous tenez fermement l'outil quand celui-ci subit un couple de réaction ou un recul brutal.

**Portez toujours des lunettes à coques latérales ou des lunettes de protection en utilisant cet outil. Utilisez un respirateur ou un masque antipoussières pour les applications qui produisent de la poussière.** Les lunettes de sécurité ou la protection oculaire permettent de dévier les fragments de matériau qui pourraient être projetés vers votre visage et vos yeux. La poussière générée ou les gaz libérés par le matériau que vous travaillez (par ex. tuyaux à isolation amiante, radon) peuvent causer des difficultés respiratoires.

**Utilisez des gants rembourrés épais et limitez le temps d'exposition en prenant des pauses fréquentes.** Les vibrations causées par l'action du marteau-perceuse peuvent être nocives pour vos mains et vos bras.

**Placez le cordon à l'écart du foret en rotation. N'enroulez pas le cordon autour de votre bras ou de votre poignet.** Si vous perdez contrôle et que le cordon s'enroule autour de votre bras ou de votre poignet, il peut vous emprisonner et vous blesser.

**Placez-vous de manière à éviter d'être pris entre l'outil ou la poignée latérale et les murs ou les**

**montants.** Si le foret se coince ou grippe dans l'ouvrage, le couple de réaction de l'outil pourrait écraser votre main ou votre pied.

**Ne frappez pas le foret avec une masse ou un marteau à main en tentant de déloger un foret grippé ou coincé.** Des fragments métalliques pourraient se détacher du foret et vous frapper ou frapper des personnes présentes.

**Ne posez jamais l'outil jusqu'à ce que le foret ou l'accessoire se soit arrêté complètement.**

**N'utilisez pas de forets et d'accessoires émoussés ou endommagés.** Les forets émoussés ou endommagés ont tendance à gripper dans l'ouvrage.

**En retirant le foret de l'outil, évitez tout contact avec la peau et utilisez des gants protecteurs appropriés en saisissant le foret ou l'accessoire.** Les accessoires peuvent être chauds après une utilisation prolongée.

**Ne laissez pas l'outil en marche tout en le portant à votre côté.** Le foret en rotation peut s'emmêler avec les vêtements et causer des blessures.



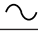
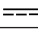
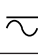




**⚠ AVERTISSEMENT** Les travaux à la machine tel que ponçage, sciage, meulage, perçage et autres travaux du bâtiment peuvent créer des poussières contenant des produits chimiques qui sont des causes reconnues de cancer, de malformation congénitale ou d'autres problèmes reproductifs. Ces produits chimiques sont, par exemple :

- Le plomb provenant des peintures à base de plomb,
- Les cristaux de silices provenant des briques et du ciment et d'autres produits de maçonnerie, et
- L'arsenic et le chrome provenant des bois traités chimiquement.

Le niveau de risque dû à cette exposition varie avec la fréquence de ces types de travaux. Pour réduire l'exposition à ces produits chimiques, il faut travailler dans un lieu bien ventilé et porter un équipement de sécurité approprié tel que certains masques à poussière conçus spécialement pour filtrer les particules microscopiques.

## Symboles

**IMPORTANT :** Certains des symboles suivants peuvent être utilisés sur votre outil. Veuillez les étudier et apprendre leur signification. Une interprétation appropriée de ces symboles vous permettra d'utiliser l'outil de façon plus efficace et plus sûre.

Symbole	Nom	Désignation/Explication
V	Volts	Tension (potentielle)
A	Ampères	Courant
Hz	Hertz	Fréquence (cycles par seconde)
W	Watt	Puissance
kg	Kilogrammes	Poids
min	Minutes	Temps
s	Secondes	Temps
∅	Diamètre	Taille des mèches de perceuse, meules, etc.
$n_0$	Vitesse à vide	Vitesse de rotation, à vide
.../min	Tours ou mouvement alternatif par minute	Tours, coups, vitesse en surface, orbites, etc., par minute
0	Position d'arrêt	Vitesse zéro, couple zéro ...
1, 2, 3, ... I, II, III, ...	Réglages du sélecteur	Réglages de vitesse, de couple ou de position. Un nombre plus élevé signifie une vitesse plus grande
	Sélecteur variable à l'infini avec arrêt	La vitesse augmente depuis le réglage 0
	Flèche	Action dans la direction de la flèche
	Courant alternatif	Type ou caractéristique du courant
	Courant continu	Type ou caractéristique du courant
	Courant alternatif ou continu	Type ou caractéristique du courant
	Construction classe II	Désigne des outils construits avec double isolation
	Borne de terre	Borne de mise à la terre
	Symbole d'avertissement	Alerte l'utilisateur aux messages d'avertissement.
	Sceau Li-ion RBRC	Désigne le programme de recyclage des piles Li-ion.



Ce symbole signifie que cet outil est approuvé par Underwriters Laboratories.



Ce symbole signifie que cet outil est approuvé par l'Association canadienne de normalisation selon les normes des États-Unis et du Canada.



Ce symbole signifie que cet outil se conforme aux normes mexicaines NOM.



Ce symbole signifie que cet outil est approuvé par l'Association canadienne de normalisation.



Ce symbole signifie que cet outil est approuvé par Underwriters Laboratories selon les normes des États-Unis et du Canada.



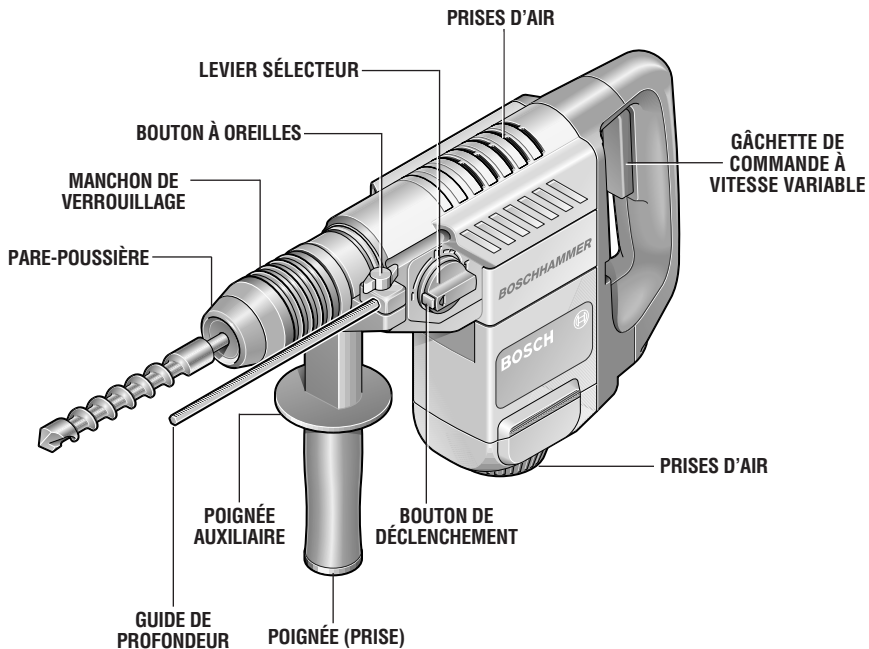
Ce symbole signifie que cet outil est approuvé par Intertek Testing Services selon les normes des États-Unis et du Canada

## Description fonctionnelle et spécifications

**AVERTISSEMENT** Débranchez la fiche de la prise de courant avant d'effectuer quelque assemblage ou réglage que ce soit ou de changer les accessoires. Ces mesures de sécurité préventive réduisent le risque d'une mise en marche accidentelle de l'outil.

### Marteau rotatif

**FIG. 1**



Numéro de modèle	11236VS
Tension nominale c.a.	120V ~ 50 - 60Hz
Intensité nominale	7.5 A
Vitesse à vide	$n_0$ 0-850/min
Type de tige	SDS-plus®

Capacités maximales :

Mèches à pointe au carbure	28 mm
Mèches creuses à paroi mince	75 mm

## Consignes de fonctionnement

### GÂCHETTE DE COMMANDE À VITESSE VARIABLE

Votre outil est équipé d'une gâchette à vitesse variable. La vitesse de l'outil peut être contrôlée du régime minimum au régime maximum spécifiés sur la plaque signalétique par la pression que vous exercez sur la gâchette. Exercez plus de pression pour augmenter la vitesse et relâchez la pression pour diminuer la vitesse. Cette commande précise de la vitesse vous permet de percer sans poinçonnage central. Elle vous permet également d'utiliser l'outil comme tournevis électrique. Des accessoires sont offerts pour enfoncer des vis aussi bien que pour tourner des boulons et des écrous.

### INSTALLATION D'ACCESSOIRES SDS-plus®

Nettoyez la tige du foret de l'accessoire pour enlever toute saleté, puis enduisez-la modérément d'une huile ou graisse légère.

Au niveau du pare-poussière, insérez l'accessoire dans le porte-mèche en le poussant avec un mouvement de vissage jusqu'à ce qu'il se verrouille automatiquement en place. Tirez sur l'accessoire afin de vous assurer qu'il est verrouillé en place dans le porte-mèche (Fig. 2).

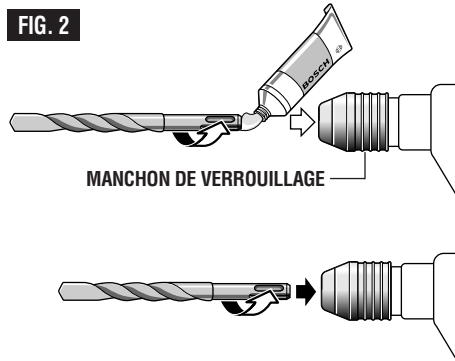
**REMARQUE :** Le marteau rotatif ne produira les résultats attendus que si vous l'équipez d'accessoires bien affûtés et en parfait état. Les frais d'entretien des accessoires sont minimes comparés au temps que vous épargnez.

### DÉMONTAGE D'ACCESSOIRES SDS-plus®

**AVERTISSEMENT** Les accessoires peuvent être chauds après l'usage. Évitez tout contact avec la peau et utilisez un chiffon ou des gants protecteurs appropriés pour déposer.

Pour retirer un accessoire, tirez et tenez le manchon de verrouillage vers l'arrière, et tirez le foret vers l'avant. Essayez tous les accessoires pour les nettoyer après les avoir enlevés.

FIG. 2



### LEVIER SÉLECTEUR

Le levier sélecteur permet de régler l'outil en fonction de diverses applications tel qu'il est indiqué dans le tableau suivant (fig. 3).

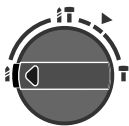
Lorsque vous utilisez des mèches de démolition ou de dégrossissage telles que burins, vrilles, gouges, etc., vous devez sélectionner le mode «Marteau seulement».

### LEVIER SÉLECTEUR — « VARIO-LOCK »

Le dispositif peut être réglé à deuxième positions différentes (30° entre elles). Choisissez le réglage qui convient à votre opération particulière. The Vario-Lock position is intended for use with chipping bits such as bull points, spades, gouges, etc.

Appuyez sur le bouton de déclenchement et tournez le levier sélecteur à la position Vario-Lock. Ensuite, tournez à la position désirée le manchon de verrouillage ainsi que l'accessoire. Réglez ensuite le levier sélecteur à « martelage seulement » et tournez légèrement le manchon de verrouillage de sorte qu'il assume automatiquement une position définitive.

FIG. 2



**Perçage seulement :** servant à percer dans le bois, l'acier, etc



**Perçage/martelage :** utilisé pour le perçage avec mèches solides au carbure et mèches creuses



**Martelage seulement :** servant au burinage et à la démolition

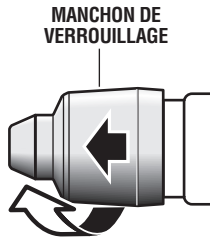


**vario-lock :** permet de fixer le burin en l'une de 36 positions de 36 façons

### PORTE-MÈCHE SDS-plus® À CHANGEMENT RAPIDE

Cet outil est équipé d'un porte-mèche SDS-plus standard amovible pouvant être remplacé rapidement en cas d'endommagement.

Pour déposer le porte-mèche SDS-plus standard, tournez le manchon de verrouillage dans le sens de rotation de la mèche (semblable à celui des aiguilles d'une montre) jusqu'à ce qu'il s'arrête. À ce point, tirez sur l'ensemble jusqu'à ce qu'il se sépare du support de l'arbre de l'outil.



Pour remettre le porte-mèche SDS-plus en place, alignez les billes d'acier à l'intérieur de l'accessoire avec les rainures observées à l'avant du support de l'arbre de l'outil. Ensuite, tournez le manchon de verrouillage de l'accessoire dans le sens de rotation de la mèche (semblable à celui des aiguilles d'une montre) jusqu'à ce qu'il s'arrête. À ce point, poussez-le légèrement vers l'arrière de l'outil jusqu'à ce qu'il se verrouille en place.

Après avoir installé le porte-mèche, tirez toujours sur celui-ci pour vous assurer qu'il est verrouillé sur le support de l'arbre.

### ACCOUPLÉMENT À GLISSEMENT

L'outil renferme un accouplement à glissement pré réglé. L'arbre arrêtera de tourner si l'accessoire grippe et surcharge l'outil.

### POIGNÉE AUXILIAIRE

La poignée auxiliaire, qui pivote sur 360°, peut être utilisée pour supporter l'outil. Pour repositionner et/ou faire pivoter la poignée, desserrez la manette, déplacez la poignée à la position désiré le long du cylindre, puis resserrez fermement la manette.

### GUIDE DE PROFONDEUR

Grâce au guide, il est possible de régler et/ou d'obtenir successivement la profondeur.

Réglage de la profondeur: Après l'installation de la poignée auxiliaire, glissez le guide à la profondeur voulue et serrez solidement le bouton à oreilles.

### CONSEILS PRATIQUES

Pour de meilleurs résultats dans le béton, exercez une pression uniforme sans excès de force. Autrement, l'outil ne donnera pas le rendement prévu.

Tous les marteaux garnis de graisse mettent un peu de temps à se réchauffer. Selon la température de la pièce, le temps peut varier de 15 secondes (90°F) à 2 minutes (32°F). Un marteau neuf n'atteindra sa pleine performance qu'après avoir fait l'objet de rodage approprié, à savoir jusqu'à 5 heures de fonctionnement.

Un marteau rotatif est probablement l'outil portatif le plus dispendieux en chantier. La robustesse et l'efficacité des marteaux Bosch feront plus que justifier le coût des outils de ce genre. Tel qu'il a été signalé antérieurement, l'entretien des accessoires et la propreté des prises d'air influent directement sur le rendement de l'outil. Adoptez un programme d'entretien que vous suivrez régulièrement.



## Entretien

### Service

**⚠ AVERTISSEMENT** Tout entretien préventif effectué par des personnels non autorisés peut résulter en mauvais placement de fils internes ou de pièces, ce qui peut présenter un danger grave. Nous vous conseillons de faire faire tout l'entretien par un centre de service d'usine Bosch ou une station service agréée Bosch.

### LUBRIFICATION DE L'OUTIL

Votre outil Bosch a été lubrifié correctement en usine et il est prêt à l'utilisation. Nous vous conseillons de re-graisser les outils qui comportent des engrenages avec un lubrifiant à engrenages spécial à chaque fois que vous changez les balais.

### BALAIS OU CHARBONS

Les balais (ou charbons) et le collecteur de votre outil ont été conçus pour apporter de nombreuses heures de fonctionnement fiable. Pour maintenir le rendement du moteur à son maximum, nous vous conseillons de contrôler les balais tous les deux à six mois. Il ne faut utiliser que des balais de rechange Bosch d'origine et conçus pour votre outil.

### PALIER

Après environ 300 à 400 heures de fonctionnement ou tous les deux changements de balais, il est conseillé

de faire remplacer les paliers par un centre de service d'usine Bosch ou une station service agréée Bosch. Si les paliers commencent à faire du bruit (à cause de surcharges importantes ou du touillage de matériaux très abrasifs) il faut les faire remplacer immédiatement pour éviter la surchauffe ou une panne de moteur.

### Nettoyage

**⚠ AVERTISSEMENT** Pour éviter les accidents, il faut toujours débrancher l'outil avant de le nettoyer ou de l'entretenir. Le meilleur moyen de nettoyer l'outil est d'utiliser de l'air comprimé sec. Il faut toujours porter des lunettes de protection quand on utilise de l'air comprimé.

Les ouïes de ventilation et les leviers de l'interrupteur doivent rester propres et exempts de corps étrangers. Ne tentez pas de les nettoyer en enfançant des objets pointus dans les orifices.

**⚠ MISE EN GARDE** Certains agents de nettoyages et certains dissolvants abîment les pièces en plastique. Parmi ceux-ci se trouvent: l'essence, le tétrachlorure de carbone, les dissolvants de nettoyage chlorés, l'ammoniaque ainsi que les détergents domestiques qui en contiennent.

## Accessoires

**⚠ AVERTISSEMENT** Si un cordon de rallonge s'avère nécessaire, vous devez utiliser un cordon avec conducteurs de dimension adéquate pouvant porter le courant nécessaire à votre outil. Ceci préviendra une chute excessive de tension, une perte de courant ou une surchauffe. Les outils mis à la terre doivent utiliser des cordons de rallonge trifilaires pourvus de fiches à trois broches ainsi que des prises à trois broches.

**REMARQUE :** Plus le calibre est petit, plus le fil est gros.

### DIMENSIONS DE RALLONGES RECOMMANDÉES OUTILS 120 VOLTS COURANT ALTERNATIF

Intensité nominale de l'outil	Calibre A.W.G.				Calibre en mm <sup>2</sup>			
	25	50	100	150	15	30	60	120
3-6	18	16	16	14	0,75	0,75	1,5	2,5
6-8	18	16	14	12	0,75	1,0	2,5	4,0
8-10	18	16	14	12	0,75	1,0	2,5	4,0
10-12	16	16	14	12	1,0	2,5	4,0	—
12-16	14	12	—	—	—	—	—	—

\* Poignée auxiliaire

\* Étui

(\* = équipement standard)

(\*\* = accessoire en option)

## Advertencias generales de seguridad para herramientas mecánicas

### **ADVERTENCIA**

Lea todas las advertencias de seguridad e instrucciones. Si no se siguen las advertencias e instrucciones, el resultado podría ser sacudidas eléctricas, incendio y/o lesiones graves.

### **GUARDE TODAS LAS ADVERTENCIAS E INSTRUCCIONES PARA REFERENCIA FUTURA**

La expresión "herramienta mecánica" en todas las advertencias que aparecen a continuación se refiere a su herramienta mecánica alimentada por la red eléctrica (herramienta alámbrica) o su herramienta mecánica alimentada por baterías (herramienta inalámbrica).

#### **Seguridad del área de trabajo**

**Mantenga el área de trabajo limpia y bien iluminada.**

Las áreas desordenadas u oscuras invitan a que se produzcan accidentes.

**No utilice herramientas mecánicas en atmósferas explosivas, como por ejemplo en presencia de líquidos, gases o polvos inflamables.** Las herramientas mecánicas generan chispas que pueden incendiar el polvo o los vapores.

**Mantenga alejados a los niños y a las personas que estén presentes mientras esté utilizando una herramienta mecánica.** Las distracciones pueden hacerle perder el control de la herramienta.

#### **Seguridad eléctrica**

**Los enchufes de las herramientas mecánicas deben coincidir con el tomacorriente. No modifique nunca el enchufe de ningún modo. No use enchufes adaptadores con herramientas mecánicas conectadas a tierra (puestas a tierra).** Los enchufes no modificados y los tomacorrientes coincidentes reducirán el riesgo de sacudidas eléctricas.

**Evite el contacto del cuerpo con las superficies conectadas o puestas a tierra, tales como tuberías, radiadores, estufas y refrigeradores.** Hay un aumento del riesgo de sacudidas eléctricas si el cuerpo del operador se conecta o pone a tierra.

**No esponga las herramientas mecánicas a la lluvia o a condiciones mojadas.** La entrada de agua en una herramienta mecánica aumentará el riesgo de que se produzcan sacudidas eléctricas.

**No maltrate el cordón de energía. No use nunca el cordón para transportar la herramienta mecánica, tirar de ella o desenchufarla. Mantenga el cordón alejado del calor, el aceite, los bordes afilados o las piezas móviles.** Los cordones dañados o enganchados aumentan el riesgo de que se produzcan sacudidas eléctricas.

**Cuando utilice una herramienta mecánica en el exterior, use un cordón de extensión adecuado para uso a la intemperie.** La utilización de un cordón adecuado para uso a la intemperie reduce el riesgo de que se produzcan sacudidas eléctricas.

**Si es inevitable utilizar la herramienta mecánica en lugares húmedos, utilice una fuente de alimentación**

**protegida por un interruptor de circuito accionado por corriente de pérdida a tierra (GFCI).** El uso de un GFCI reduce el riesgo de sacudidas eléctricas.

Un GFCI y los dispositivos de protección personal, como guantes de goma y calzado de goma de electricista, mejorarán más su seguridad personal.

**No use herramientas mecánicas con capacidad nominal solamente para CA con una fuente de energía de CC.** Aunque pueda parecer que la herramienta funciona correctamente, es probable que los componentes eléctricos de la herramienta con capacidad nominal para CA fallen y creen un peligro para el operador.

#### **Seguridad personal**

**Manténgase alerta, fíjese en lo que está haciendo y use el sentido común cuando esté utilizando una herramienta mecánica. No use una herramienta mecánica cuando esté cansado o bajo la influencia de drogas, alcohol o medicamentos.** Un momento de distracción mientras esté utilizando herramientas mecánicas podría causar lesiones corporales graves.

**Use equipo de protección personal. Use siempre protección de los ojos.** El equipo de protección, como por ejemplo una máscara antipolvo, calzado de seguridad antideslizante, casco o protección de oídos, utilizado para las condiciones apropiadas, reducirá las lesiones corporales.

**Evite el arranque accidental. Asegúrese de que el interruptor esté en la posición de apagado antes de conectar la herramienta a la fuente de energía y / o al paquete de batería, levantar la herramienta o transportarla.** Si se transportan herramientas mecánicas con el dedo en el interruptor o se enchufan herramientas mecánicas que tienen el interruptor en la posición de encendido, se invita a que se produzcan accidentes.

**Quite todas las llaves de ajuste o de tuerca antes de encender la herramienta mecánica.** Una llave de tuerca o de ajuste que se deje colocada en una pieza giratoria de la herramienta mecánica podría causar lesiones corporales.

**No intente alcanzar demasiado lejos. Mantenga un apoyo de los pies y un equilibrio apropiados en todo momento.** Esto permite controlar mejor la herramienta mecánica en situaciones inesperadas.

**Vístase adecuadamente. No use ropa holgada ni alhajas holgadas. Mantenga el pelo, la ropa y los guantes alejados de las piezas móviles.** La ropa holgada, las alhajas holgadas o el pelo largo pueden quedar atrapados en las piezas móviles.

**Si se proporcionan dispositivos para la conexión de instalaciones de extracción y recolección de polvo, asegúrese de que dichas instalaciones estén conectadas y se usen correctamente.** El uso de dispositivos de recolección de polvo puede reducir los peligros relacionados con el polvo.

**Mantenga los mangos secos, limpios y libres de aceite y grasa.** Las manos resbalosas no pueden controlar de modo seguro la herramienta mecánica.

### Uso y cuidado de las herramientas mecánicas

**No fuerce la herramienta mecánica. Use la herramienta mecánica correcta para la aplicación que desee realizar.** La herramienta mecánica correcta hará el trabajo mejor y con más seguridad a la capacidad nominal para la que fue diseñada.

**No use la herramienta mecánica si el interruptor no la enciende y apaga.** Toda herramienta mecánica que no se pueda controlar con el interruptor es peligrosa y debe ser reparada.

**Desconecte el enchufe de la fuente de energía y/o el paquete de batería de la herramienta mecánica antes de hacer cualquier ajuste, cambiar accesorios o almacenar herramientas mecánicas.** Dichas medidas preventivas de seguridad reducen el riesgo de arrancar accidentalmente la herramienta mecánica.

**Guarde las herramientas que no esté usando fuera del alcance de los niños y no deje que personas que no estén familiarizadas con la herramienta mecánica o con estas instrucciones utilicen la herramienta.** Las herramientas mecánicas son peligrosas en manos de usuarios que no hayan recibido capacitación.

**Mantenga las herramientas mecánicas. Compruebe si hay piezas móviles desalineadas o que se atorán, si hay piezas rotas y si existe cualquier otra situación**

**que podría afectar el funcionamiento de la herramienta mecánica. Si la herramienta mecánica está dañada, haga que la reparen antes de usarla.** Muchos accidentes son causados por herramientas mecánicas mantenidas deficientemente.

**Mantenga las herramientas de corte afiladas y limpias.** Es menos probable que las herramientas de corte mantenidas apropiadamente, con bordes de corte afilados, se atoren, y dichas herramientas son más fáciles de controlar.

**Utilice la herramienta mecánica, los accesorios, las brocas de la herramienta, etc., de acuerdo con estas instrucciones, teniendo en cuenta las condiciones de trabajo y el trabajo que se vaya a realizar.** El uso de la herramienta mecánica para operaciones distintas a aquéllas para las que fue diseñada podría causar una situación peligrosa.

**Use abrazaderas u otro modo práctico de sujetar y soportar la pieza de trabajo en una plataforma estable.** Si se sujeta la pieza de trabajo con la mano o contra el cuerpo, se crea una situación inestable que podría causar pérdida de control.

### Servicio de ajustes y reparaciones

**Haga que su herramienta mecánica reciba servicio de un técnico de reparaciones calificado, utilizando únicamente piezas de repuesto idénticas.** Esto asegurará que se mantenga la seguridad de la herramienta mecánica.

**Desarrolle un programa de mantenimiento periódico de la herramienta. Cuando limpie una herramienta, tenga cuidado de no desmontar ninguna de sus partes, ya que los cables internos podrían reubicarse incorrectamente o pellizcarse, o los resortes de retorno de los protectores de seguridad podrían montarse incorrectamente.** Ciertos agentes de limpieza, tales como gasolina, tetracloruro de carbono, amoníaco, etc., podrían dañar las piezas de plástico.

Riesgo de lesiones para el usuario. El cordón de energía debe recibir servicio de ajustes y reparaciones solamente por un Centro de Servicio de Fábrica Bosch o una Estación de Servicio Bosch Autorizada.

## GUARDE TODAS LAS ADVERTENCIAS E INSTRUCCIONES PARA REFERENCIA FUTURA

### Normas de seguridad para martillos giratorios

**Use protectores de oídos con los taladros de percusión.** La exposición al ruido puede causar pérdida de audición.

**Utilice los mangos auxiliares suministrados con la herramienta.** La pérdida de control puede causar lesiones corporales.

**Sujete las herramientas mecánicas por las superficies de agarre aisladas cuando realice una operación en la que las herramientas de corte puedan entrar en contacto con cables ocultos.** El contacto con un cable que tenga corriente hará que ésta pase a las partes metálicas descubiertas de la herramienta y que el operador reciba sacudidas eléctricas.

**Use abrazaderas u otro modo práctico de sujetar y soportar la pieza de trabajo en una plataforma estable.** Si se sujeta la pieza de trabajo con la mano o contra el cuerpo, se crea una situación inestable que podría causar pérdida de control.

No taladre, rompa, ni haga trabajo de sujeción en paredes existentes ni en otras áreas ciegas donde pueda haber cables eléctricos. Si esta situación es inevitable, desconecte todos los fusibles o cortacircuitos que alimentan este sitio de trabajo.

**Utilice un detector de metales para determinar si hay tuberías de gas o de agua ocultas en el área de trabajo o llame a la compañía local de servicios públicos para obtener asistencia antes de comenzar la operación.** Golpear o cortar una tubería de gas producirá una explosión. La entrada de agua en un dispositivo eléctrico puede causar electrocución.

**Utilice siempre el mango auxiliar para tener un control máximo sobre la reacción de par motor o retroceso. Nunca intente manejar esta herramienta con una mano.** El embrague deslizante se acopla si usted controla firmemente la herramienta durante una reacción de par motor o retroceso.

**Use siempre gafas de seguridad o protección de los ojos cuando utilice esta herramienta. Use una máscara antipolvo o un respirador para aplicaciones que generan polvo.** Las gafas de seguridad o la protección de los ojos ayudarán a desviar los fragmentos del material que puedan salir despedidos hacia la cara y los ojos. El polvo generado o los gases liberados por los materiales que esté cortando (por ej., tuberías con aislamiento de asbesto, radón) pueden causar dificultades respiratorias.

**Use guantes con almohadillado grueso y limite el tiempo de exposición tomando frecuentes periodos de descanso.** La vibración causada por la acción de percusión y taladrado puede ser perjudicial para las manos y los brazos.

**Posicione el cordón de modo que esté alejado de la broca que gira. No enrolle el cordón alrededor del brazo o de la muñeca.** Si pierde el control y tiene el cordón enrollado en el brazo o en la muñeca, el cordón puede atraparle y causarle lesiones.

**Sitúese de modo que evite ser atrapado entre la herramienta o el mango lateral y las paredes o los postes.** Si la broca se atasca o se engancha en la pieza de trabajo, el par motor de reacción de la herramienta podría aplastarle la mano o la pierna.

**No golpee la broca con un martillo de mano ni con una herramienta de martilleo cuando intente soltar una broca atascada o enganchada.** Se podrían soltar fragmentos de metal de la broca y golpearle a usted o golpear a las personas que se encuentren presentes.

**Nunca deje la herramienta en ningún lugar hasta que la broca o el accesorio se haya detenido por completo.**

**No utilice brocas ni accesorios desafilados o dañados.** Las brocas o accesorios desafilados o dañados pueden atascarse frecuentemente en la pieza de trabajo, causando una reacción de par motor.

**Al sacar la broca de la herramienta, evite el contacto con la piel y use guantes de protección adecuados al agarrar la broca o el accesorio.** Los accesorios pueden estar calientes después de un uso prolongado.

**No tenga en marcha la herramienta mientras la lleva a su lado.** La broca taladradora que gira puede engancharse en la ropa y se pueden producir lesiones.

**⚠ ADVERTENCIA** Cierta polvo generado por el lijado, aserrado, amolado y taladrado mecánicos, y por otras actividades de construcción, contiene agentes químicos que se sabe que causan cáncer, defectos de nacimiento u otros daños sobre la reproducción. Algunos ejemplos de estos agentes químicos son:

- Plomo de pinturas a base de plomo,
- Sílice cristalina de ladrillos y cemento y otros productos de mampostería, y
- Arsénico y cromo de madera tratada químicamente.

Su riesgo por causa de estas exposiciones varía, dependiendo de con cuánta frecuencia realice este tipo de trabajo. Para reducir su exposición a estos agentes químicos: trabaje en un área bien ventilada y trabaje con equipo de seguridad aprobado, como por ejemplo máscaras antipolvo que estén diseñadas especialmente para impedir mediante filtración el paso de partículas microscópicas.

## Símbolos

**IMPORTANTE:** Es posible que algunos de los símbolos siguientes se usen en su herramienta. Por favor, estúdielos y aprenda su significado. La interpretación adecuada de estos símbolos le permitirá utilizar la herramienta mejor y con más seguridad.

Símbolo	Nombre	Designación/explicación
V	Volt	Tensión (potencial)
A	Ampere	Corriente
Hz	Hertz	Frecuencia (ciclos por segundo)
W	Watt	Potencia
kg	Kilogramo	Peso
min	Minuto	Tiempo
s	Segundo	Tiempo
∅	Diámetro	Tamaño de las brocas taladradoras, muelas, etc
$n_0$	Velocidad sin carga	Velocidad rotacional sin carga
.../min	Revoluciones o alternación por minuto	Revoluciones, golpes, velocidad de superficie, órbitas, etc., por minuto
0	Posición "off" (apagado)	Velocidad cero, par motor cero...
1, 2, 3, ... I, II, III,	Graduaciones del selector	Graduaciones de velocidad, par motor o posición. Un número más alto significa mayor velocidad selector settings
	Selector infinitamente variable con apagado	La velocidad aumenta desde la graduación de 0
	Flecha	Acción en la dirección de la flecha
	Corriente alterna	Tipo o una característica de corriente
	Corriente continua	Tipo o una característica de corriente
	Corriente alterna o continua	Tipo o una característica de corriente
	Construcción de clase II	Designa las herramientas de construcción con aislamiento doble.
	Terminal de toma de tierra	Terminal de conexión a tierra
	Símbolo de advertencia	Alerta al usuario sobre mensajes de advertencia
	Sello RBRC de Li-ion	Designa el programa de reciclaje de baterías de Li-ion



Este símbolo indica que esta herramienta está catalogada por Underwriters Laboratories.



Este símbolo indica que la Canadian Standards Association ha catalogado esta herramienta indicando que cumple con las normas estadounidenses y canadienses.



Este símbolo indica que esta herramienta cumple con la norma mexicana oficial (NOM).



Este símbolo indica que esta herramienta está catalogada por la Canadian Standards Association.



Este símbolo indica que Underwriters Laboratories ha catalogado esta herramienta indicando que cumple con las normas estadounidenses y canadienses.



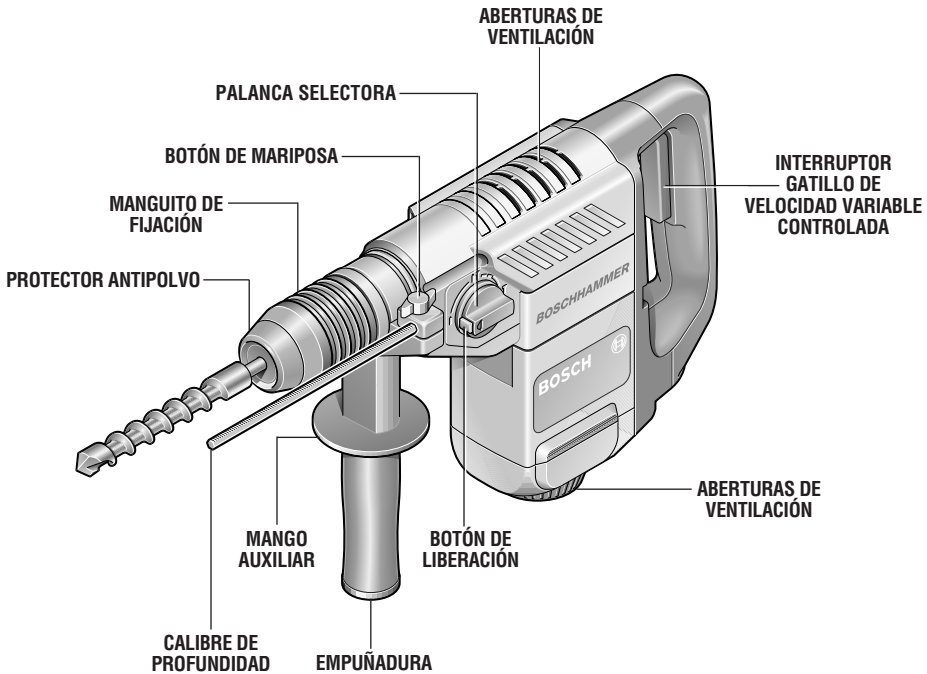
Este símbolo indica que Intertek Testing Services ha catalogado esta herramienta indicando que cumple con las normas estadounidenses y canadienses.

## Descripción funcional y especificaciones

**⚠ ADVERTENCIA** Desconecte el enchufe de la fuente de energía antes de realizar cualquier ensamblaje o ajuste, o cambiar accesorios. Estas medidas de seguridad preventivas reducen el riesgo de arrancar la herramienta accidentalmente.

### Martillo giratorio

**FIG. 1**



Número de modelo	11236VS
Tensión nominal	120V ~ 50 - 60Hz
Capacidad nominal en amperios	7,5 A
Velocidad sin carga	$n_0$ 0-850/min
Estilo de cuerpo	SDS-plus®
Capacidad máxima:	
Brocas con punta de carburo	28 mm
Brocas huecas de pared delgada	75 mm

## Instrucciones de funcionamiento

### INTERRUPTOR GATILLO DE VELOCIDAD VARIABLE CONTROLADA

La herramienta está equipada con un interruptor gatillo de velocidad variable. La velocidad de la herramienta se puede controlar desde las RPM mínimas hasta las RPM máximas indicadas en la placa del fabricante por medio de la presión que usted ejerce sobre el gatillo. Ejerza más presión para aumentar la velocidad y disminuya la presión para reducir la velocidad. Este preciso control de velocidad le permite a usted taladrar sin realizar punzonaduras para marcar. También le permite utilizar la herramienta como destornillador mecánico. Hay accesorios disponibles para apretar tornillos y también para pernos y tuercas.

### INSTALACIÓN DE ACCESORIOS SDS-plus®

Limpie el extremo de inserción del cuerpo del accesorio para quitar los residuos con éste pueda tener y luego engráselo ligeramente con un aceite o lubricante ligero.

Introduzca el accesorio en el portabroca a través del protector antipolvo a la vez que lo hace girar y lo empuja hacia adentro hasta que quede fijo automáticamente en su sitio. Tire del accesorio hacia afuera para asegurarse de que ha quedado fijo dentro del portabroca (Fig. 2).

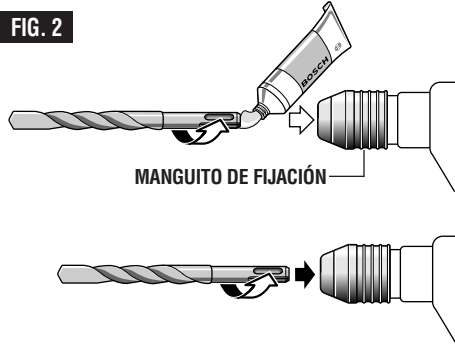
**NOTA:** La alta eficiencia proporcionada por los martillos giratorios sólo se puede obtener si se utilizan accesorios afilados y sin daños. El "costo" de mantener accesorios afilados y sin daños es sobradamente compensado por el "tiempo que se ahorra" al hacer funcionar la herramienta con accesorios afilados.

### REMOCIÓN DE ACCESORIOS SDS-plus®

**⚠ ADVERTENCIA** Los accesorios pueden estar calientes después de la utilización. Evite el contacto con la piel y utilice guantes de protección o un paño protector adecuados para quitar dichos accesorios.

Para quitar un accesorio, tire hacia atrás del mango de fijación, sujételo y tire de la broca hacia adelante. Todos los accesorios deben limpiarse después de quitarlos.

FIG. 2



MANGUITO DE FIJACIÓN

### PALANCA SELECTORA

La palanca selectora permite ajustar la herramienta para las distintas aplicaciones según se muestra en el cuadro siguiente.

Al usar brocas de demoler o de desbastar, tales como brocas de punta rompedora, de cincel, de pala, de media caña, etc., se debe seleccionar el modo de "martillo solamente".

### PALANCA SELECTORA — FIJACION VARIABLE

La fijación variable se puede ajustar en cualquiera de doce posiciones (incrementos de 30°). Elija la posición más idónea para la operación que usted desea realizar. La posición de "fijación variable" está diseñada para utilizarse con brocas de desbastar, tales como brocas de punta rompedora, brocas de pala, brocas de media caña, etc.

Oprima el botón de liberación y gire la palanca del selector hasta la posición de fijación variable. A continuación, gire el manguito de fijación, junto con el accesorio, hasta la posición deseada. Luego, gire la palanca selectora hasta la posición de "martillo únicamente" y gire ligeramente el manguito de fijación para hacer que éste quede fijo automáticamente en una posición determinada.

FIG. 3



**Taladrado únicamente:** utilizado para taladrar madera, acero, etc.



**Taladrado/martilleo:** utilizado para taladrar con brocas de carburo macizas y brocas huecas.



**Martilleo únicamente:** utilizado para ...trabajo de desbastado y de demolición



**Fijación variable:** permite ajustar el cincel en una de 36 posiciones

### PORTABROCA SDS-plus® DE CAMBIO RÁPIDO

Esta herramienta cuenta con un portabroca desmontable que permite el cambio rápido del portabroca SDS-plus en caso de que se dañe.

Para quitar el ensamblaje del portabroca SDS-plus, gire el manguito de fijación en el sentido de rotación de la broca (en el sentido de las agujas del reloj) hasta que se detenga. Cuando el manguito de fijación se detenga, tire hacia afuera de todo el ensamblaje del



portabroca SDS-plus hasta que éste se suelte de la montura del husillo de la herramienta.

Para reinstalar el portabroca SDS-plus, alinee las bolas de acero que se encuentran en el interior del accesorio con las ranuras que se encuentran en la parte delantera de la montura del husillo de la herramienta. A continuación, gire el manguito de fijación del portabroca (en el sentido de las agujas del reloj) hasta que éste se detenga. Luego, presiónelo ligeramente hacia adentro, hacia la parte trasera de la herramienta, hasta que quede fijo en su sitio.

Después de instalar el portabroca, tire siempre de él hacia afuera para asegurarse de que esté fijo en la montura del husillo.

### EMBRAGUE DESLIZANTE

Esta herramienta está dotada con un embrague deslizante interno preajustado. El husillo de salida dejará de girar si el accesorio se atasca y sobrecarga la herramienta.

### MANGO AUXILIAR

La herramienta se puede sujetar con el mango auxiliar, el cual se puede girar 360°. Para reposicionar y/o hacer girar el mango, afloje la empuñadura, mueva el mango hasta la posición deseada a lo largo del cuerpo cilíndrico y vuelva a apretar firmemente la empuñadura.

### CALIBRE DE PROFUNDIDAD

La profundidad de perforación se puede prefijar y/o repetir utilizando el calibre de profundidad.

Ajuste de profundidad: Después de instalar el mango auxiliar, deslice el calibre de profundidad hasta la profundidad deseada y apriete firmemente el botón de mariposa.

### “CONSEJOS PARA LA HERRAMIENTA”

Para lograr las mejores velocidades de penetración en hormigón, haga funcionar la herramienta ejerciendo

sobre ella una presión uniforme, pero no utilice demasiada fuerza, ya que esto reducirá la eficiencia de la herramienta.

Todos los martillos llenos de grasa requieren un corto período de tiempo para calentarse. Según la temperatura ambiente, este período podrá variar desde aproximadamente 15 segundos (90°F) hasta 2 minutos (32°F). Un martillo nuevo requiere un período de rodaje antes de poder funcionar a pleno rendimiento. Puede que este período requiera hasta 5 horas de funcionamiento.

Es probable que un martillo giratorio sea la herramienta portátil más cara de una obra en construcción. La gran resistencia al desgaste y el funcionamiento eficiente de los martillos BOSCH justificarán sobradamente el costo de las herramientas de este tipo. Tal como se ha indicado anteriormente, es necesario que los accesorios estén afilados y que las aberturas de ventilación estén limpias para que la herramienta funcione con eficacia. Establezca y siga un programa fijo de mantenimiento.



## Mantenimiento

### Servicio

**⚠ ADVERTENCIA** El mantenimiento preventivo realizado por personal no autorizado puede dar lugar a la colocación incorrecta de cables y componentes internos que podría constituir un peligro serio. Recomendamos que todo el servicio de las herramientas sea realizado por un Centro de servicio de fábrica Bosch o por una Estación de servicio Bosch autorizada.

### LUBRICACIÓN DE LAS HERRAMIENTAS

Su herramienta Bosch ha sido lubricada adecuadamente y está lista para la utilización. Se recomienda que las herramientas con engranajes se vuelvan a engrasar con un lubricante especial para engranajes en cada cambio de escobillas.

### ESCOBILLAS DE CARBÓN

Las escobillas y el conmutador de la herramienta han sido diseñados para muchas horas de servicio fiable. Para mantener un rendimiento óptimo del motor, recomendamos que cada dos a seis meses se examinen las escobillas. Sólo se deben usar escobillas de repuesto Bosch genuinas diseñadas específicamente para su herramienta.

### RODAMIENTOS

Después de 300-400 horas de funcionamiento, o después de cada segundo cambio de escobillas, los

rodamientos deben cambiarse en un Centro de servicio de fábrica Bosch o en una Estación de servicio Bosch autorizada. Los rodamientos que se vuelven ruidosos (debido a la pesada carga o al corte de materiales muy abrasivos) deben ser sustituidos inmediatamente para evitar el sobrecalentamiento o el fallo del motor.

### Limpieza

**⚠ ADVERTENCIA** Para evitar accidentes desconecte siempre la herramienta de la fuente de energía antes de la limpieza o de la realización de cualquier mantenimiento. La herramienta se puede limpiar más eficazmente con aire comprimido seco. **Use gafas de seguridad siempre que limpie herramientas con aire comprimido.**

Las aberturas de ventilación y las palancas de interruptor deben mantenerse limpias y libres de materias extrañas. No intente limpiar introduciendo objetos puntiagudos a través de las aberturas.

**⚠ PRECAUCIÓN** Ciertos agentes de limpieza y disolventes dañan las piezas de plástico. Algunos de estos son: gasolina, tetracloruro de carbono, disolventes de limpieza clorados, amoníaco y detergentes domésticos que contienen amoníaco.

## Accesorios

**⚠ ADVERTENCIA** Si es necesario un cordón de extensión, se debe usar un cordón con conductores de tamaño adecuado que sea capaz de transportar la corriente necesaria para la herramienta. Esto evitará caídas de tensión excesivas, pérdida de potencia o recalentamiento. Las herramientas conectadas a tierra deben usar cordones de extensión de 3 hilos que tengan enchufes de 3 terminales y receptáculos para 3 terminales.

**NOTA:** Cuanto más pequeño es el número de calibre, más grueso es el cordón.

### TAMAÑOS RECOMENDADOS DE CORDONES DE EXTENSION HERRAMIENTAS DE 120 V CORRIENTE ALTERNA

Capacidad nominal en amperes de la herramienta	Tamaño del cordón en A.W.G.				Tamaños del cable en mm <sup>2</sup>			
	Longitud del cordón en pies				Longitud del cordón en metros			
	25	50	100	150	15	30	60	120
3-6	18	16	16	14	0,75	0,75	1,5	2,5
6-8	18	16	14	12	0,75	1,0	2,5	4,0
8-10	18	16	14	12	0,75	1,0	2,5	4,0
10-12	16	16	14	12	1,0	2,5	4,0	—
12-16	14	12	—	—	—	—	—	—

- \* Mango auxiliar
- \* Estuche de transporte

(\* = equipo estándar)

(\*\* = accesorios opcionales)

**Notes:**

**Remarques :**

**Notas:**

### LIMITED WARRANTY OF BOSCH PORTABLE AND BENCHTOP POWER TOOLS

Robert Bosch Tool Corporation ("Seller") warrants to the original purchaser only, that all BOSCH portable and benchtop power tools will be free from defects in material or workmanship for a period of one year from date of purchase. SELLER'S SOLE OBLIGATION AND YOUR EXCLUSIVE REMEDY under this Limited Warranty and, to the extent permitted by law, any warranty or condition implied by law, shall be the repair or replacement of parts, without charge, which are defective in material or workmanship and which have not been misused, carelessly handled, or misrepaired by persons other than Seller or Authorized Service Station. To make a claim under this Limited Warranty, you must return the complete portable or benchtop power tool product, transportation prepaid, to any BOSCH Factory Service Center or Authorized Service Station. For Authorized BOSCH Power Tool Service Stations, please refer to your phone directory.

THIS LIMITED WARRANTY DOES NOT APPLY TO ACCESSORY ITEMS SUCH AS CIRCULAR SAW BLADES, DRILL BITS, ROUTER BITS, JIGSAW BLADES, SANDING BELTS, GRINDING WHEELS AND OTHER RELATED ITEMS.

ANY IMPLIED WARRANTIES SHALL BE LIMITED IN DURATION TO ONE YEAR FROM DATE OF PURCHASE. SOME STATES IN THE U.S., SOME CANADIAN PROVINCES DO NOT ALLOW LIMITATIONS ON HOW LONG AN IMPLIED WARRANTY LASTS, SO THE ABOVE LIMITATION MAY NOT APPLY TO YOU.

IN NO EVENT SHALL SELLER BE LIABLE FOR ANY INCIDENTAL OR CONSEQUENTIAL DAMAGES (INCLUDING BUT NOT LIMITED TO LIABILITY FOR LOSS OF PROFITS) ARISING FROM THE SALE OR USE OF THIS PRODUCT. SOME STATES IN THE U.S. AND SOME CANADIAN PROVINCES DO NOT ALLOW THE EXCLUSION OR LIMITATION OF INCIDENTAL OR CONSEQUENTIAL DAMAGES, SO THE ABOVE LIMITATION OR EXCLUSION MAY NOT APPLY TO YOU.

THIS LIMITED WARRANTY GIVES YOU SPECIFIC LEGAL RIGHTS, AND YOU MAY ALSO HAVE OTHER RIGHTS WHICH VARY FROM STATE TO STATE IN THE U.S., PROVINCE TO PROVINCE IN CANADA AND FROM COUNTRY TO COUNTRY.

THIS LIMITED WARRANTY APPLIES ONLY TO PORTABLE AND BENCHTOP ELECTRIC TOOLS SOLD WITHIN THE UNITED STATES OF AMERICA, CANADA AND THE COMMONWEALTH OF PUERTO RICO. FOR WARRANTY COVERAGE WITHIN OTHER COUNTRIES, CONTACT YOUR LOCAL BOSCH DEALER OR IMPORTER.

### GARANTIE LIMITÉE DES OUTILS ÉLECTRIQUES PORTATIFS ET D'ÉTABLI BOSCH

Robert Bosch Tool Corporation (le « vendeur ») garantit à l'acheteur initial seulement que tous les outils électriques portatifs et d'établi BOSCH seront exempts de vices de matériaux ou d'exécution pendant une période d'un an depuis la date d'achat. LA SEULE OBLIGATION DU VENDEUR ET LE SEUL RECOURS DE L'ACHETEUR sous la présente garantie limitée, et en autant que la loi le permette sous toute garantie ou condition implicite qui en découlerait, sera l'obligation de remplacer ou réparer gratuitement les pièces défectueuses matériellement ou comme fabrication, pourvu que lesdites défectosités ne soient pas attribuables à un usage abusif ou à quelque réparation bricolée par quelqu'un d'autre que le vendeur ou le personnel d'une station-service agréée. Pour présenter une réclamation en vertu de cette garantie limitée, vous devez renvoyer l'outil électrique portatif ou d'établi complet, port payé, à tout centre de service agréé ou centre de service usine. Veuillez consulter votre annuaire téléphonique pour les adresses.

LA PRÉSENTE GARANTIE NE S'APPLIQUE PAS AUX ACCESSOIRES TELS QUE LAMES DE SCIES CIRCULAIRES, MÊCHES DE PERCEUSES, FERS DE TOUPIES, LAMES DE SCIES SAUTEUSES, COURROIS DE PONÇAGE, MEULES ET AUTRES ARTICLES DU GENRE.

TOUTE GARANTIE IMPLICITE SERA LIMITÉE COMME DURÉE À UN AN À COMPTER DE LA DATE D'ACHAT. CERTAINS ÉTATS AMÉRICAINS, CERTAINES PROVINCES CANADIENNES N'ADMETTANT PAS LE PRINCIPE DE LA LIMITATION DE LA DURÉE DES GARANTIES IMPLICITES, IL EST POSSIBLE QUE LES LIMITATIONS CI-DESSUS NE S'APPLIQUENT PAS À VOTRE CAS.

EN AUCUN CAS LE VENDEUR NE SAURAIT ÊTRE TENU POUR RESPONSABLE DES INCIDENTS OU DOMMAGES INDIRECTS (INCLUANT, MAIS NE SE LIMITANT PAS AUX PERTES DE PROFITS) CONSÉCUTIFS À LA VENTE OU L'USAGE DE CE PRODUIT. CERTAINS ÉTATS AMÉRICAINS ET CERTAINES PROVINCES CANADIENNES N'ADMETTANT PAS LE PRINCIPE DE LA LIMITATION NI L'EXCLUSION DES DOMMAGES INDIRECTS ET CONSÉQUENTIELS, IL EST POSSIBLE QUE LES LIMITATIONS OU EXCLUSIONS CI-DESSUS NE S'APPLIQUENT PAS À VOTRE CAS.

LA PRÉSENTE GARANTIE VOUS ACCORDE DES DROITS BIEN DÉTERMINÉS, Y COMPRIS POSSIBLEMENT CERTAINS DROITS VARIABLES DANS LES DIFFÉRENTS ÉTATS AMÉRICAINS, PROVINCES CANADIENNE ET DE PAYS À PAYS.

CETTE GARANTIE LIMITÉE NE S'APPLIQUE QU'ÀUX OUTILS ÉLECTRIQUES PORTATIFS ET D'ÉTABLI VENDUS AUX ÉTATS-UNIS D'AMÉRIQUE, AU CANADA ET AU COMMONWEALTH DE PORTO RICO. POUR COUVERTURE DE GARANTIE DANS LES AUTRES PAYS, CONTACTEZ VOTRE IMPORTATEUR OU REVENDEUR BOSCH LOCAL.

### GARANTIA LIMITADA PARA HERRAMIENTAS MECANICAS PORTATILES Y PARA TABLERO DE BANCO BOSCH

Robert Bosch Tool Corporation ("el Vendedor") garantiza, únicamente al comprador original, que todas las herramientas mecánicas portátiles y para tablero de banco BOSCH estarán libres de defectos de material o de fabricación durante un periodo de un año a partir de la fecha de compra. LA ÚNICA OBLIGACION DEL VENDEADOR Y EL RECURSO EXCLUSIVO QUE USTED TIENE bajo esta Garantía Limitada y, hasta donde la ley lo permita, bajo cualquier garantía o condición implícita por ley, consistirá en la reparación o sustitución sin costo de las piezas que presenten defectos de material o de fabricación y que no hayan sido utilizadas incorrectamente, manejadas descuidadamente o reparadas incorrectamente por personas que no sean el Vendedor o una Estación de servicio autorizada. Para efectuar una reclamación bajo esta Garantía Limitada, usted debe devolver el producto, que consiste en la herramienta mecánica portátil o para tablero de banco completa, con el transporte pagado, a cualquier Centro de servicio de fábrica o Estación de servicio autorizada. Para Estaciones de servicio autorizadas de herramientas mecánicas BOSCH, por favor, consulte el directorio telefónico.

ESTA GARANTIA LIMITADA NO SE APLICA A ARTICULOS ACCESORIOS TALES COMO HOJAS PARA SIERRAS CIRCULARES, BROCAS PARA TALADROS, BROCAS PARA FRESADORAS, HOJAS PARA SIERRAS DE VAIVEN, CORREAS PARA LIJAR, RUEDAS DE AMOLAR Y OTROS ARTICULOS RELACIONADOS.

TODAS LAS GARANTIAS IMPLICITAS TENDRAN UNA DURACION LIMITADA A UN AÑO A PARTIR DE LA FECHA DE COMPRA. ALGUNOS ESTADOS DE LOS EE.UU. Y ALGUNAS PROVINCIAS CANADIENSES NO PERMITEN LIMITACIONES EN CUANTO A LA DURACION DE UNA GARANTIA IMPLICITA, POR LO QUE ES POSIBLE QUE LA LIMITACION ANTERIOR NO SEA APLICABLE EN EL CASO DE USTED.

EL VENDEADOR NO SERA RESPONSABLE EN NINGUN CASO DE NINGUN DAÑO INCIDENTAL O EMERGENTE (INCLUYENDO PERO NO LIMITADO A RESPONSABILIDAD POR PERDIDA DE BENEFICIOS) QUE SE PRODUZCA COMO CONSECUENCIA DE LA VENTA O UTILIZACION DE ESTE PRODUCTO. ALGUNOS ESTADOS DE LOS EE.UU. Y ALGUNAS PROVINCIAS CANADIENSES NO PERMITEN LA EXCLUSION O LIMITACION DE LOS DAÑOS INCIDENTALES O EMERGENTES, POR LO QUE ES POSIBLE QUE LA LIMITACION O EXCLUSION ANTERIOR NO SEA APLICABLE EN EL CASO DE USTED.

ESTA GARANTIA LIMITADA LE CONFIERE A USTED DERECHOS LEGALES ESPECIFICOS Y ES POSIBLE QUE USTED TAMBIEN TENGA OTROS DERECHOS QUE VARIAN DE ESTADO A ESTADO EN LOS EE.UU., DE PROVINCIA A PROVINCIA EN CANADA Y DE UN PAIS A OTRO.

ESTA GARANTIA LIMITADA SE APLICA SOLAMENTE A HERRAMIENTAS ELECTRICAS PORTATILES Y PARA TABLERO DE BANCO VENDIDAS EN LOS ESTADOS UNIDOS DE AMERICA, CANADA Y EL ESTADO LIBRE ASOCIADO DE PUERTO RICO. PARA COBERTURA DE GARANTIA EN OTROS PAISES, PONGASE EN CONTACTO CON SU DISTRIBUIDOR O IMPORTADOR LOCAL DE BOSCH.

© Robert Bosch Tool Corporation 1800 W. Central Road Mt. Prospect, IL 60056-2230

Exportado por: Robert Bosch Tool Corporation Mt. Prospect, IL 60056 -2230, E.U.A.

Importado en México por: Robert Bosch, S.A. de C.V., Calle Robert Bosch No. 405, Zona Industrial, Toluca, Edo. de México, C.P. 50070, Tel. (722) 2792300

## Free Manuals Download Website

<http://myh66.com>

<http://usermanuals.us>

<http://www.somanuals.com>

<http://www.4manuals.cc>

<http://www.manual-lib.com>

<http://www.404manual.com>

<http://www.luxmanual.com>

<http://aubethermostatmanual.com>

Golf course search by state

<http://golfingnear.com>

Email search by domain

<http://emailbydomain.com>

Auto manuals search

<http://auto.somanuals.com>

TV manuals search

<http://tv.somanuals.com>