

IMPORTANT:
Read Before Using

IMPORTANT :
Lire avant usage

IMPORTANTE:
Leer antes de usar

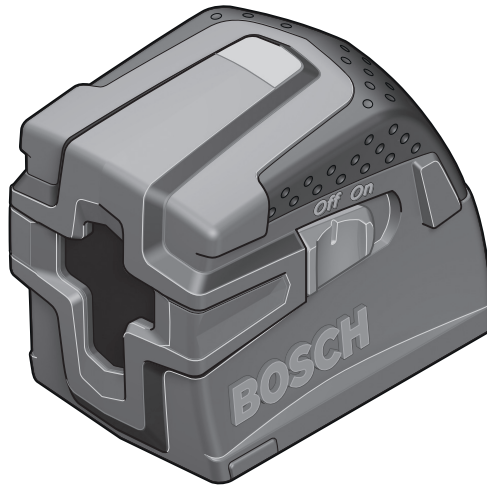


Operating/Safety Instructions

Consignes de fonctionnement/sécurité

Instrucciones de funcionamiento y seguridad

GLL2-10



BOSCH

**Call Toll Free for
Consumer Information
& Service Locations**

**Pour obtenir des informations
et les adresses de nos centres
de service après-vente,
appelez ce numéro gratuit**

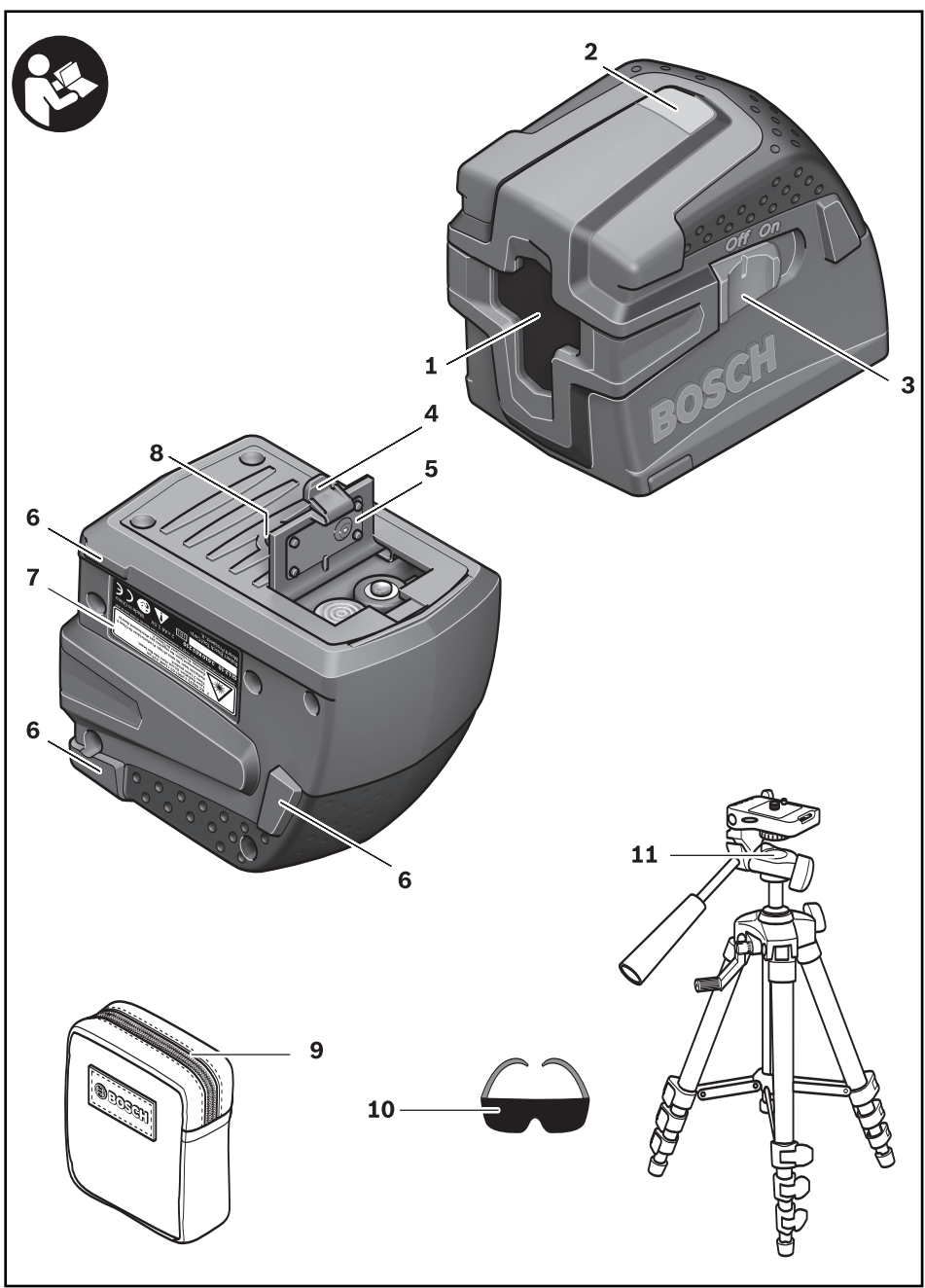
**Llame gratis para
obtener información
para el consumidor y
ubicaciones de servicio**

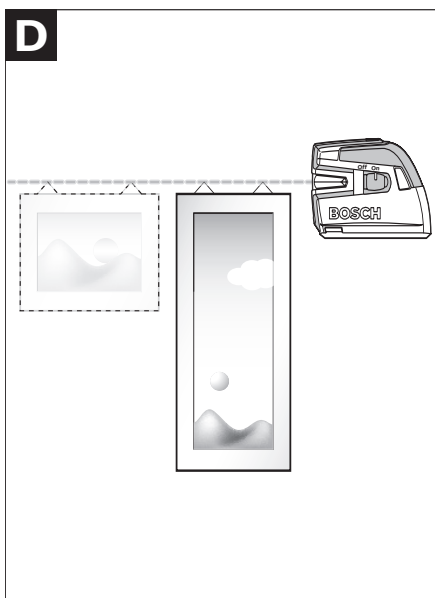
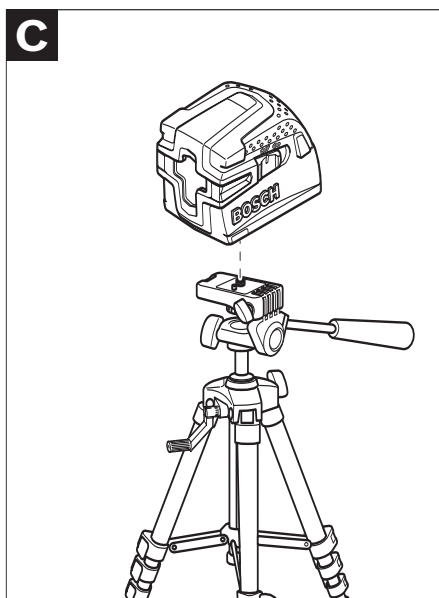
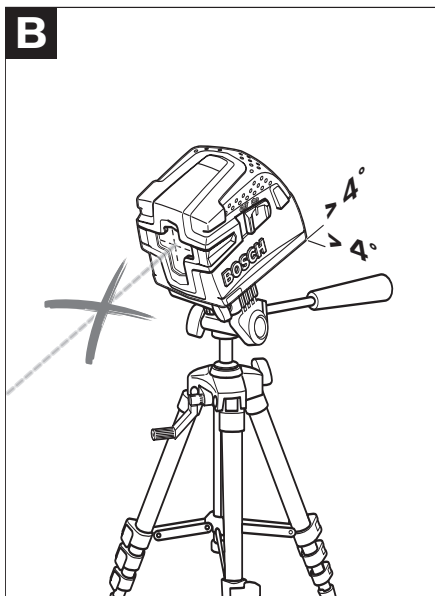
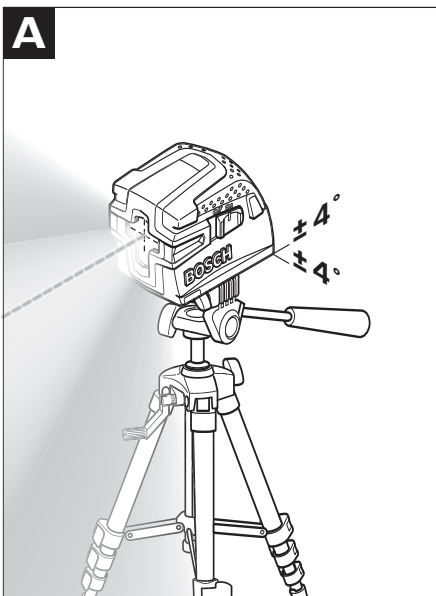
1-877-BOSCH99 (1-877-267-2499) www.boschtools.com

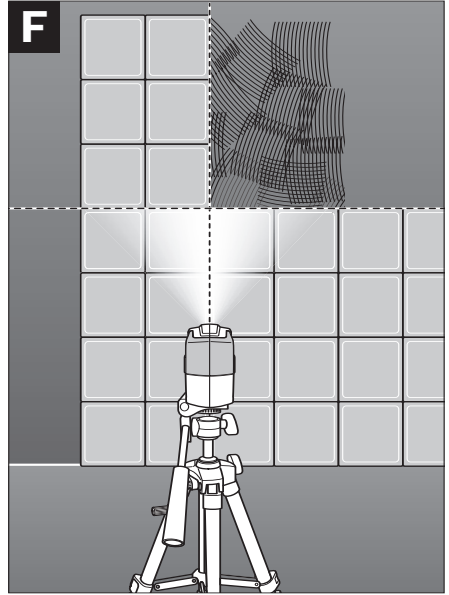
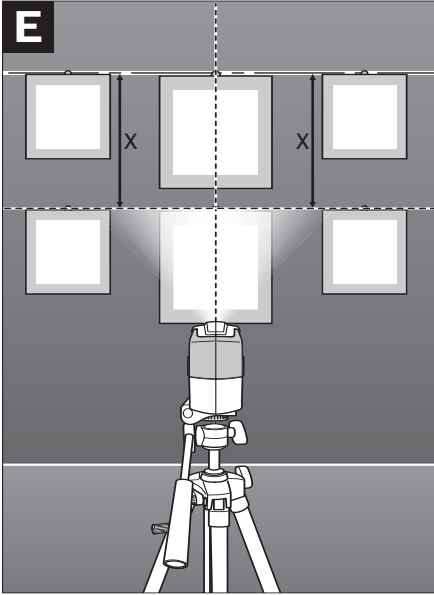
**For English Version
See page 5**

**Version française
Voir page 11**

**Versión en español
Ver la página 16**







⚠ WARNING Make sure that this device and the tool are securely mounted before operation.

⚠ AVERTISSEMENT Assurez-vous que cet appareil et l'outil sont solidement assujettis avant de les utiliser.

⚠ ADVERTENCIA Asegúrese de que este dispositivo y la herramienta estén montados de manera segura antes de su utilización.

General Safety Rules

⚠ WARNING Read all instructions. Failure to follow all instructions listed below may result in hazardous radiation exposure, electric shock, fire and/or serious injury. The term “tool” in all of the warnings listed below refers to your mains-operated (corded) tool or battery-operated (cordless) tool.

⚠ WARNING The following labels are on your laser tool for your convenience and safety. They indicate where the laser light is emitted by the tool. **ALWAYS BE AWARE** of their location when using the tool.



Do not direct the laser beam at persons or animals and do not stare into the laser beam yourself. This tool produces laser class 2 laser radiation and complies with 21 CFR 1040.10 and 1040.11 except for deviations pursuant to Laser Notice No. 50, dated June 24, 2007. This can lead to persons being blinded.

Changes or modifications to this equipment not expressly approved by the party responsible for compliance could void the user's authority to operate the equipment.

CAUTION Use of controls or adjustments or performance of procedures other than those specified herein may result in hazardous radiation exposure.

DO NOT remove or deface any warning or caution labels. Removing labels increases the risk of exposure to laser radiation.

ALWAYS make sure that any bystanders in the vicinity of use are made aware of the dangers of looking directly into the laser tool.

DO NOT place the laser tool in a position that may cause anyone to stare into the laser beam intentionally or unintentionally. Serious eye injury could result.

ALWAYS position the laser tool securely. Damage to the laser tool and/or serious injury to the user could result if the laser tool fails.

ALWAYS use only the accessories that are recommended by the manufacturer of your laser tool. Use of accessories that have been designed for use with other laser tools could result in serious injury.

DO NOT use this laser tool for any purpose other than those outlined in this manual. This could result in serious injury.

DO NOT leave the laser tool “ON” unattended in any operating mode.

DO NOT disassemble the laser tool. There are no user serviceable parts inside.

DO NOT modify the product in any way. Modifying the laser tool may result in hazardous laser radiation exposure.

DO NOT use the laser viewing glasses as safety goggles. The laser viewing glasses are used for improved visualization of the laser beam, but they do not protect against laser radiation.

DO NOT use the laser viewing glasses as sun glasses or in traffic. The laser viewing glasses do not afford complete UV protection and reduce color perception.

DO NOT use any optical tools such as, but not limited to, telescopes or transits to view the laser beam. Serious eye injury could result.

DO NOT stare directly at the laser beam or project the laser beam directly into the eyes of others. Serious eye injury could result.

SAVE THESE INSTRUCTIONS

Work area safety

Keep work area clean and well lit.

Cluttered or dark areas invite accidents.

DO NOT operate the laser tool around children or allow children to operate the laser tool. Serious eye injury could result.

Electrical safety

WARNING Batteries can explode or leak, cause injury or fire.

To reduce this risk, always follow all instructions and warnings on the battery label and package.

DO NOT short any battery terminals.

DO NOT charge alkaline batteries.

DO NOT mix old and new batteries. Replace

all of them at the same time with new

batteries of the same brand and type.

DO NOT mix battery chemistries.

Dispose of or recycle batteries per local code.

DO NOT dispose of batteries in fire.

Keep batteries out of reach of children.

Remove batteries if the device will not be used for several months.

Personal safety

Stay alert, watch what you are doing and use common sense when operating a tool. Do not use a tool while you are tired or under the influence of drugs, alcohol or medication. A moment of inattention while operating a tool may result in serious personal injury or incorrect measurement results.

Use safety equipment. Always wear eye protection. Safety equipment such as dust mask, non-skid safety shoes, hard hat, or hearing protection used for appropriate conditions will reduce personal injuries.

Use and care

Use the correct tool for your application.

The correct tool will do the job better and safer.

Do not use the tool if the switch does not turn it on and off. Any tool that cannot be controlled with the switch is dangerous and must be repaired.

Store idle tool out of the reach of children and do not allow persons unfamiliar with the tool or these instructions to operate the tool. Tools are dangerous in the hands of untrained users.

Maintain tools. Check for misalignment or binding of moving parts, breakage of parts and any other condition that may affect the operation. If damaged, tool repaired before use. Many accidents are caused by poorly maintained tools.

Use the tool, accessories, etc., in accordance with these instructions and in the manner intended for the particular type of tool, taking into account the working conditions and the work to be performed. Use of the tool for operations different from those intended could result in a hazardous situation.

Service

Have your tool serviced by a qualified repair person using only identical replacement parts. This will ensure that the safety of the tool is maintained.

Develop a periodic maintenance schedule for tool. When cleaning a tool be careful not to disassemble any portion of the tool since internal wires may be misplaced or pinched or may be improperly mounted. Certain cleaning agents such as gasoline, carbon tetrachloride, ammonia, etc. may damage plastic parts.

SAVE THESE INSTRUCTIONS.

Intended Use

The tool is intended for determining and checking horizontal and vertical lines.
The tool is suitable exclusively for operation in enclosed working sites.

Preparation

Inserting/Replacing the Battery

Use only alkaline batteries.

To open the battery lid **5**, press on the latch **4** and fold the battery lid up. Insert the batteries. When inserting, pay attention to the correct polarity according to the representation on the inside of the battery compartment.

Always replace all batteries at the same time. Only use batteries from one brand and with the identical capacity.

- **Remove the batteries from the tool when not using it for extended periods.** When storing for extended periods, the batteries can corrode and discharge themselves.

Features

The numbering of the product features shown refers to the illustration of the tool on the graphic page 2.

- 1** Exit opening for laser beam
- 2** Automatic levelling indicator
- 3** On/Off switch
- 4** Latch of battery lid
- 5** Battery lid
- 6** Contact surface

- 7** Laser warning label
- 8** Tripod mount 1/4"
- 9** Protective case
- 10** Laser viewing glasses*
- 11** Tripod*

*The accessories illustrated or described are not included as standard delivery.

Technical Data

Working range – Standard	30ft (10m)	Laser class	2
Levelling Accuracy	±7/32-in at 30-ft (±5mm at 10m)	Laser type635 nm, <1mW
Self-levelling range, typically	±4°	Tripod mount	1/4-20
Levelling duration, typically	4 s	Batteries2 x 1.5 V LR6 (AA)
Operating temperature	41°F ~104°F (+5°C ~+40°C)	Operating lifetime, approx.	15 h
Storage temperature	-4°F ~158°F (-20°C ~+70°C)	Weight	0.88 lb (0.4kg)
Relative air humidity, max.90 %	Dimensions4-1/4" x 2-5/8" x 3.5/8" (108x 66 x 92mm)

Please observe the article number on the type plate of your tool. The trade names of the individual tools may vary.

Operation

Initial Operation

- **Protect the tool against moisture and direct sun irradiation.**
- **Do not subject the tool to extreme temperatures or variations in temperature.**
As an example, do not leave it in vehicles for longer periods. In case of large variations in temperature, allow the tool to adjust to the ambient temperature before putting it into operation.
- **Avoid heavy impact or falling of the tool.** Damage to the tool can impair its accuracy. After heavy impact or shock, compare the laser line with a known horizontal or vertical reference line.
- **Switch the tool off during transport.** When switching off, the leveling unit, which can be damaged in case of intense movement, is locked.

Switching On and Off

To **switch on** the tool, push the On/Off switch **3** to the "On" position. Immediately after switching on, the tool sends two laser beams out of the exit opening **1**.

- **Do not point the laser beam at persons or animals and do not look into the laser beam yourself, not even from a large distance.**

To **switch off** the tool, push the On/Off switch **3** to the "Off" position. When switching off, the levelling unit is locked.

- **Do not leave the switched on tool unattended and switch the tool off after use.** Other persons could be blinded by the laser beam.

Automatic Leveling

Working with Automatic Leveling (see figures A-B)

Position the tool on a level and firm support, hold it by the contact surfaces **6** against a vertical surface or attach it to a tripod **11**.

After switching on, the leveling function automatically compensates irregularities within the self-leveling range of $\pm 4^\circ$. The leveling is finished as soon as the laser beams do not move any more. The indicator **2** lights up green.

If the automatic leveling function is not possible, e. g. because the surface on which the tool stands deviates by more than 4° from the horizontal plane, the indicator **2** lights up red and the laser is automatically switched off. In this case, bring the tool to the level position or hold it by the contact surfaces **6** straightly against a vertical surface, and wait for the selfleveling to take place. As soon as the tool is within the self-leveling range of $\pm 4^\circ$ again, the indicator **2** lights up green and the laser beams are switched on.

When not within the self-leveling range of $\pm 4^\circ$, working with the tool is not possible, because it cannot be assured that the laser beams run at a right angle to each other.

In case of ground vibrations or position changes during operation, the tool is automatically leveled in again. To avoid errors, check the position of the horizontal and vertical laser line with regard to the reference points upon re-leveling.

Working Advice

- **Always use the center of the laser line for marking.** The width of the laser line changes with the distance.

Use with Attachments

Working with the Tripod (See figure C)

A tripod offers a stable, height-adjustable measuring support. Place the tool via the tripod mount **8** onto the 1/4" male thread of the tripod and screw the locking screw of the tripod tight.

Holding Laterally against a Wall or Object (see figure D)

For quick checking of heights, the tool can be held by the contact surfaces **6** laterally against a vertical wall, cabinets, etc. Take care to hold the tool straightly and calmly.

Laser Viewing Glasses (Optional Accessory)

The laser viewing glasses **10**, filter out the ambient light. This makes the red light of the laser appear brighter for the eyes.

- **Do not use the laser viewing glasses as safety goggles.** The laser viewing glasses are used for improved visualization of the laser beam, but they do not protect against laser radiation.
- **Do not use the laser viewing glasses as sun glasses or in traffic.** The laser viewing glasses do not afford complete UV protection and reduce colour perception.

Maintenance and Service

Store and transport the tool only in the supplied protective case **9**.

Keep the tool clean at all times.

Do not immerse the tool into water or other fluids.

Wipe off debris using a moist and soft cloth. Do not use any cleaning agents or solvents.

Regularly clean the surfaces at the exit opening of the laser in particular, and pay attention to any fluff of fibers.

If the tool should fail despite the care taken in manufacturing and testing procedures, repair should be carried out by an authorized after-sales service center for Bosch power tools.

In all correspondence and spare parts orders, please always include the 10-digit article number given on the type plate of the tool.

For repairs, send in the tool in the case **9**.

ENVIRONMENT PROTECTION

Recycle raw materials & batteries instead of disposing of waste. The unit, accessories, packaging & used batteries should be sorted for environmentally friendly recycling in accordance with the latest regulations.



LIMITED WARRANTY OF BOSCH LASER AND MEASURING TOOL PRODUCTS

Robert Bosch Tool Corporation ("Seller") warrants to the original purchaser only, that all BOSCH laser and measuring tool products will be free from defects in material or workmanship for a period of three (3) years from date of purchase.

SELLER'S SOLE OBLIGATION AND YOUR EXCLUSIVE REMEDY under this Limited Warranty and, to the extent permitted by law, any warranty or condition implied by law, shall be the repair or replacement of laser and measuring tool products, which are defective in material or workmanship and which have not been misused, carelessly handled, or misrepaired by persons other than Seller or Seller Authorized Service providers.

SELLER'S OBLIGATION AND YOUR REMEDY ARE FURTHER LIMITED AS FOLLOWS:

- **30-Day Money Back Refund or Replacement.** If you are not completely satisfied with the performance of your laser or measuring tool product, for any reason, you can return it to BOSCH dealer within 30 days of the date of purchase for a full refund or replacement. To obtain this 30-Day Refund or Replacement, your return must be accompanied by the original receipt for purchase of the laser or measuring tool product. A maximum of 2 returns per customer will be permitted.
- **First Year– OTC Warranty.** BOSCH will replace your laser or measuring tool product that has failed when used in conformance with product instructions and warnings, with a new laser or measuring tool product of comparable features, for free, any time during the first year after purchase. This warranty does not apply if your laser or measuring tool product fails solely due to the need for recalibration.
- **2- and 3-Year Exchange.** BOSCH will replace your laser or measuring tool product that has failed when used in conformance with product instructions and warnings, with a new or reconditioned laser or measuring tool product of comparable features, for an exchange cost. This warranty does not apply if your laser or measuring tool product fails solely due to the need for recalibration.

For details to make a claim under this Limited Warranty please visit www.boschtools.com or call 1-877-267-2499.

ANY IMPLIED WARRANTIES SHALL BE LIMITED IN DURATION TO ONE YEAR FROM DATE OF PURCHASE. SOME STATES IN THE U.S., AND SOME CANADIAN PROVINCES DO NOT ALLOW LIMITATIONS ON HOW LONG AN IMPLIED WARRANTY LASTS, SO THE ABOVE LIMITATION MAY NOT APPLY TO YOU.

IN NO EVENT SHALL SELLER BE LIABLE FOR ANY INCIDENTAL OR CONSEQUENTIAL DAMAGES (INCLUDING BUT NOT LIMITED TO LIABILITY FOR LOSS OF PROFITS) ARISING FROM THE SALE OR USE OF THIS PRODUCT. SOME STATES IN THE U.S., AND SOME CANADIAN PROVINCES DO NOT ALLOW THE EXCLUSION OR LIMITATION OF INCIDENTAL OR CONSEQUENTIAL DAMAGES, SO THE ABOVE LIMITATION MAY NOT APPLY TO YOU.

THIS LIMITED WARRANTY GIVES YOU SPECIFIC LEGAL RIGHTS, AND YOU MAY ALSO HAVE OTHER RIGHTS WHICH VARY FROM STATE TO STATE IN THE U.S., OR PROVINCE TO PROVINCE IN CANADA AND FROM COUNTRY TO COUNTRY.

THIS LIMITED WARRANTY APPLIES ONLY TO PRODUCTS SOLD WITHIN THE UNITED STATES OF AMERICA, CANADA AND THE COMMONWEALTH OF PUERTO RICO. FOR WARRANTY COVERAGE WITHIN OTHER COUNTRIES, CONTACT YOUR LOCAL BOSCH DEALER OR IMPORTER.

Consignes générales de sécurité

⚠ AVERTISSEMENT

Lisez toutes les instructions. Le non-respect de toutes les instructions figurant ci-dessous risquerait de causer une exposition dangereuse aux rayonnements, un choc électrique, un incendie et/ou des blessures graves. L'expression « instrument de topologies » dans tous les avertissements figurant plus bas fait référence à votre instrument de mesure, de détection et de tracé de topologies branché sur le secteur (avec cordon) ou à votre instrument de mesure, de détection et de tracé de topologies à piles (sans fil).

⚠ AVERTISSEMENT

Les étiquettes suivantes sont apposées sur votre instrument laser pour votre commodité et votre sécurité. Elles indiquent où la lumière laser est émise par le instrument. IL FAUT TOUJOURS CONNAÎTRE sa position lors de l'utilisation du instrument.



Utilisez l'outil correct pour votre application.

Ne dirigez pas le faisceau laser en direction de personnes ou d'animaux, et ne regardez pas directement le faisceau laser vous-même. Cet instrument produit des rayonnements laser de classe 2 et est conforme aux normes 21 CFR 1040.10 et 1040.11, à l'exception des déviations en vertu de l'Avis relatif au laser N° 50 daté du 24 juin 2007. Ceci risquerait de causer l'aveuglement des personnes affectées.

NE RETIREZ PAS et n'effacez pas des étiquettes d'avertissement ou de mise en garde. Le retrait de telles étiquettes augmente le risque d'exposition aux rayonnements laser. L'emploi de commandes ou de réglages autres que ceux qui sont indiqués dans ce mode d'emploi risquerait de causer une exposition dangereuse aux rayonnements.

ASSUREZ-VOUS TOUJOURS que les personnes présentes aux environs de l'endroit où vous employez cet instrument sont au courant des dangers résultant de l'observation directe du faisceau laser.

NE PLACEZ PAS l'instrument dans une position telle que cela permettrait à quiconque de regarder directement le faisceau laser intentionnellement ou non. Ceci risquerait de causer des blessures graves aux yeux.

POSITIONNEZ TOUJOURS l'instrument de façon qu'il soit stable. La chute de l'instrument risquerait d'endommager ce dernier et/ou de causer des blessures graves à son utilisateur.

N'UTILISEZ TOUJOURS que les accessoires qui sont recommandés par le fabricant de votre instrument. L'emploi d'accessoires qui ont été conçus pour emploi avec d'autres outils risquerait de causer des blessures graves.

N'UTILISEZ PAS cet instrument dans un but autre que ceux qui sont indiqués dans ce mode d'emploi. Ceci risquerait de causer des blessures graves.

NE LAISSEZ PAS l'instrument allumé (« ON ») sans surveillance dans un mode de fonctionnement quelconque.

NE DÉMONTÉZ PAS l'instrument. Il ne contient aucune pièce pouvant être réparée par l'utilisateur. Ne modifiez ce produit en aucune façon. Toute modification de cet instrument risquerait de causer une exposition dangereuse aux rayonnements.

N'UTILISEZ PAS les verres de visionnement du laser à la place de lunettes de protection. Les verres de visionnement du laser sont utilisés pour améliorer la visualisation du faisceau laser, mais ils ne protègent pas contre les rayonnements laser.

N'UTILISEZ PAS pas les verres de visionnement du laser en guise de lunette de soleil ou lorsque vous conduisez un véhicule. Ces verres n'assurent pas une protection complète contre les rayons UV et ils réduisent la perception des couleurs.

N'UTILISEZ PAS d'instruments optiques tels que, entre autres, des télescopes ou des lunettes d'astronome pour regarder le faisceau laser. Ceci risquerait de causer des blessures graves aux yeux.

NE FIXEZ PAS directement des yeux le faisceau laser et ne projetez pas la faisceau laser directement dans les yeux d'autres personnes. Ceci risquerait de causer des blessures graves aux yeux.

CONSERVEZ CES INSTRUCTIONS.

Sécurité sur le lieu de travail

Maintenez votre lieu de travail propre et bien éclairé. Les lieux de travail encombrés ou sombres invitent les accidents.

N'UTILISEZ PAS l'instrument laser à proximité d'enfants, et ne laissez pas des enfants se servir de l'instrument laser. Cela risquerait de produire des blessures graves aux yeux.

Sécurité électrique

⚠ AVERTISSEMENT Les piles risquent d'exploser ou de fuir, et de causer des blessures ou un incendie. Afin de réduire ce risque, suivez toujours toutes les instructions et tous les avertissements figurant sur l'étiquette des piles et sur l'emballage.

NE COURT-CIRCUITEZ PAS de bornes des piles.

NE RECHARGEZ PAS des piles alcalines.

NE MÉLANGEZ PAS des piles neuves et des piles usagées. Remplacez toutes les piles en même temps par des piles neuves de la même marque et du même type.

NE MÉLANGEZ PAS des piles ayant des compositions chimiques différentes.

Jetez ou recyclez les piles conformément aux règlements du code local.

NE JETEZ PAS des piles dans un feu.

Gardez les piles hors de la portée des enfants.

Retirez les piles si vous ne pensez pas utiliser cet instrument pendant plusieurs mois.

Sécurité personnelle

Restez alerte, surveillez ce que vous êtes en train de faire et faites preuve de bon sens lorsque vous utilisez un quelconque outil. N'utilisez pas un outil pendant que vous êtes fatigué(e) ou sous l'influence de drogues, d'alcool ou de médicaments. Un moment d'inattention pendant que vous vous servez d'un outil risquerait de causer de graves blessures personnelles ou de produire des résultats de mesures imprécis.

Utilisez des équipements de sécurité. Portez toujours une protection des yeux. Des équipements tels que des masques antipoussières, des chaussures de sécurité antidérapantes, un casque ou une protection des oreilles utilisés pour les conditions appropriées réduiront les blessures corporelles.

Utilisation et entretien

Utilisez l'outil correct pour votre application. L'instrument de mesure, de détection et de tracé de topologies correct vous permettra de faire un meilleur travail et avec plus de sécurité à la vitesse pour laquelle il a été conçu.

N'utilisez pas cet instrument si l'interrupteur ne s'allume pas ou ne s'éteint pas. Un instrument qui ne peut pas être contrôlé par son interrupteur est dangereux et doit être réparé.

Rangez l'instrument hors de la portée des enfants lorsque vous ne vous en servez pas, et ne laissez pas de personnes ne connaissant pas bien cet instrument ou n'ayant pas lu ce mode d'emploi mettre l'outil en marche. De tels instruments pourraient être dangereux entre les mains d'utilisateurs n'ayant pas reçu la formation nécessaire à leur utilisation.

Entretenez vos instruments. Assurez-vous que les pièces sont alignées correctement et que les pièces mobiles ne se coincent pas, qu'il n'y a pas de pièces brisées ou d'autres conditions pouvant affecter le fonctionnement. Réparez tout instrument endommagé avant de vous en servir. De nombreux accidents par des instruments de mesure, de détection et de tracé de topologies mal entretenus.

Utilisez l'outil, les accessoires, etc. conformément à ce mode d'emploi et de la manière prévue pour le type particulier d'instrument, en tenant compte des conditions de travail à réaliser. L'emploi de cet instrument pour des opérations différentes de celles qui sont indiquées dans le mode d'emploi risquerait de causer une situation dangereuse.

Service après-vente

Faites réparer votre instrument par un réparateur agréé n'utilisant que des pièces de rechange identiques. Ceci assurera le respect des prescriptions de sécurité pour l'instrument. Préparez un calendrier de maintenance périodique pour l'instrument. Lorsque vous nettoyez un instrument, faites attention de ne pas démonter une partie quelconque de l'instrument étant donné que des fils internes risqueraient d'être déplacés ou pincés, ou qu'ils pourraient être remontés de façon incorrecte. Certains produits de nettoyage tels que de l'essence, du tétrachlorure de carbone, de l'ammoniac, etc. risqueraient d'endommager les composants en plastique.

Il n'est possible de travailler en toute sécurité avec cet instrument qu'après avoir lu toutes les informations relatives à son utilisation et à la sécurité, et à condition de respecter rigoureusement toutes les instructions contenues dans le mode d'emploi. Ne rendez jamais illisibles les étiquettes d'avertissement se trouvant sur l'instrument.

CONSERVEZ CES INSTRUCTIONS.

Emploi prévu

L'appareil de mesure est conçu pour déterminer et vérifier des lignes horizontales et verticales.

L'appareil de mesure est exclusivement conçu pour fonctionner dans des locaux fermés.

Préparation

Inserting/Replacing the Battery

Mise en place/changement des piles

N'utiliser que des piles alcalines au manganèse.

Pour ouvrir le couvercle du compartiment à piles **5**, appuyez sur le blocage **4** et ouvrez le couvercle du compartiment à piles. Introduisez les piles.

Veillez à la bonne position des pôles qui doit correspondre à la figure se trouvant à l'intérieur du compartiment à piles.

Toujours remplacer toutes les piles en même temps. N'utiliser que des piles de la même marque avec la même capacité.

- **Sortir les piles de l'appareil de mesure au cas où l'appareil ne serait pas utilisé pour une période assez longue.** En cas de stockage long, les piles peuvent corroder et se décharger.

Features

La numérotation des éléments de l'appareil se réfère à la représentation de l'appareil de mesure sur la page graphique.

- 1 Orifice de sortie du faisceau laser
- 2 Affichage nivellement automatique
- 3 Interrupteur Marche/Arrêt
- 4 Blocage du couvercle du compartiment à piles
- 5 Couvercle du compartiment à piles

- 6 Surface à mesurer
- 7 Plaque d'avertissement de laser
- 8 Raccord de trépied 1/4"
- 9 Etui de protection
- 10 Lunettes de vision du faisceau laser*
- 11 Trépied*

*Les accessoires décrits ou montrés ne sont pas compris dans l'emballage standard.

Données techniques

Zone de travail jusqu'à
environ— Standard10 m
Précision de nivellement ±0,5mm/m
Plage typique de nivellement automatique ±4°
Temps typique de nivellement <4 s
Température de service5°C ~ +40°C
Température de stockage -20°C~ +70°C
Humidité relative de l'air max.90 %
Classe laser 2
Type de laser635 nm, <1 mW

Raccord de trépied 1/4-20
Piles3 x 1,5 V LR6 (AA)
Durée de service env.15 h
Coupure automatique après env.30 min
Poids 0,4 kg
Dimensions 108 x 66 x 92 mm

Faire attention au numéro d'article se trouvant sur la plaque signalétique de l'appareil de mesure. Les désignations commerciales des différents appareils peuvent varier.

Consignes d'utilisation

Mise en service

- **Protéger l'appareil de mesure contre l'humidité, ne pas l'exposer aux rayons directs du soleil.**
- **Ne pas exposer l'appareil de mesure à des températures extrêmes ou de forts changements de température.** Ne le laissez pas traîner longtemps dans la voiture par ex. En cas d'importants changements de température, laissez l'appareil de mesure prendre la température ambiante avant de le mettre en service. Des températures extrêmes ou de forts changements de température peuvent entraver la précision de l'appareil de mesure.
- **Éviter les chocs ou les chutes de l'appareil de mesure.** Lorsque l'appareil de mesure a été soumis à de fortes influences extérieures, toujours effectuer un contrôle de précision avant de continuer à travailler (voir « Précision de nivellement »).
- **Éteignez l'appareil de mesure quand vous le transportez.** Lorsque l'appareil est éteint, l'unité pendulaire se verrouille afin de prévenir son endommagement lors de mouvements forts.

Mise en Marche/Arrêt

Pour **mettre en marche** l'appareil de mesure, poussez l'interrupteur Marche/Arrêt **3** dans la position « On ». Immédiatement après avoir été mis en marche, l'appareil de mesure envoie deux lignes laser à travers l'orifice de sortie **1**.

- **Ne pas diriger le faisceau laser vers des personnes ou des animaux et ne jamais regarder dans le faisceau laser, même si vous êtes à grande distance de ce dernier.**

Pour **arrêter** l'appareil de mesure, poussez l'interrupteur Marche/Arrêt **3** dans la position « Off ». Lorsque l'appareil est éteint, l'unité pendulaire est verrouillée.

- **Ne pas laisser sans surveillance l'appareil de mesure allumé et éteindre l'appareil de mesure après l'utilisation.** D'autres personnes pourraient être éblouies par le faisceau laser.

Nivellement automatique

Travailler avec nivellement automatique (voir figures A-B)

Placez l'appareil de mesure sur un support horizontale solide, maintenez-les surfaces de mesure **6** sur une surface verticale ou montez l'appareil sur un trépied **11**.

Une fois l'appareil mis en marche, le nivellement automatique compense automatiquement les inégalités à l'intérieur de la plage de nivellement automatique de $\pm 4^\circ$. Dès que les lignes laser ne bougent plus, le nivellement est terminé. L'affichage **2** s'allume en vert.

Si un nivellement automatique n'est pas possible, par ex. parce que la surface où est posé l'appareil de mesure diffère de plus de 4° de l'horizontale, l'affichage **2** s'allume en rouge et le laser est automatiquement arrêté. Dans un tel cas, placez l'appareil de mesure horizontalement ou maintenez les surfaces de mesure **6** sur une surface verticale et attendez le nivellement automatique. Dès que l'appareil de mesure se retrouve dans la plage de nivellement automatique de $\pm 4^\circ$, l'affichage **2** s'allume en vert et les lignes laser sont allumées.

Il n'est pas possible d'utiliser l'appareil de mesure à l'extérieur de la plage de nivellement automatique de $\pm 4^\circ$, parce que sinon il ne peut pas être garanti que les lignes laser passent dans l'angle droit l'un par rapport à l'autre.

Dans le cas de secousses ou de modifications pendant l'utilisation, l'appareil de mesure est automatiquement nivelé à nouveau. Après un nivellement, vérifiez la position de la ligne laser horizontale ou verticale par rapport aux points de référence afin d'éviter des erreurs.

Instructions d'utilisation

- **Pour marquer, n'utiliser toujours que le milieu de la ligne laser.** La largeur de la ligne laser change avec la distance.

Utiliser avec accessoires

Travailler avec le trépied (voir figure C)

Un trépied **11** offre l'avantage d'être un support de mesure stable à hauteur réglable. Placez l'appareil de mesure avec le raccord du trépied **8** sur le filet 1/4" du trépied et serrez-le au moyen de la vis de blocage du trépied.

Positionnement latéral (voir figure D)

Pour un contrôle rapide de hauteurs, il est possible d'apposer les surfaces de mesure **6** de l'appareil de mesure latéralement aux murs verticaux, armoires etc. Veillez à maintenir l'appareil de mesure droit et à ne pas bouger.

Lunettes de vision du faisceau laser (accessoire)

Les lunettes de vision du faisceau laser filtrent la lumière ambiante. L'œil perçoit ainsi la lumière rouge du laser comme étant plus claire.

- **Ne pas utiliser les lunettes de vision du faisceau laser en tant que lunettes de protection.** Les lunettes de vision du faisceau laser servent à mieux reconnaître le faisceau laser, elles ne protègent cependant pas du rayonnement laser.
- **Ne pas utiliser les lunettes de vision du faisceau laser en tant que lunettes de soleil ou en circulation routière.** Les lunettes de vision du faisceau laser ne protègent pas parfaitement contre les rayons ultra-violet et réduisent la perception des couleurs.

Maintenance et service

Ne transporter et ranger l'appareil de mesure que dans son étui de protection fourni avec l'appareil.

Maintenir l'appareil de mesure propre.

Ne jamais plonger l'appareil de mesure dans l'eau ou dans d'autres liquides.

Nettoyer l'appareil à l'aide d'un chiffon doux et humide. Ne pas utiliser de détergents ou de solvants.

Nettoyer régulièrement en particulier les surfaces se trouvant près de l'ouverture de sortie du laser en veillant à éliminer les poussières.

Si, malgré tous les soins apportés à la fabrication et au contrôle de l'appareil de mesure, celui-ci devait avoir un défaut, la réparation ne doit être confiée qu'à une station de service après-vente agréée pour outillage Bosch.

Pour toute demande de renseignement ou commande de pièces de rechange, nous préciser impérativement le numéro d'article à dix chiffres de l'appareil de mesure indiqué sur la plaque signalétique.

Au cas où l'appareil devrait être réparé, l'envoyer dans son étui de protection **9**.



PROTECTION DE L'ENVIRONNEMENT

Recyclez les matières premières et les piles au lieu de les mettre au rebut. L'instrument, ses accessoires, son conditionnement et les piles usées doivent être triés en vue d'un recyclage écologique conforme aux lois les plus récentes.

GARANTIE LIMITÉE DES PRODUITS LASER ET AUTRES INSTRUMENTS DE MESURE BOSCH

Robert Bosch Tool Corporation (le « Vendeur ») garantit à l'acheteur original seulement que tous les produits laser et autres instruments de mesure BOSCH ne comporteront pas de défauts de matériau ou de façon pendant une période de trois (3) ans à compter de la date de l'achat.

LA SEULE OBLIGATION DU VENDEUR ET VOTRE REMÈDE EXCLUSIF en vertu de cette Garantie limitée et, dans la mesure autorisée par la loi, de toute garantie ou condition implicite de par l'opération de la loi, seront la réparation ou le remplacement du produit laser et des autres instruments de mesure ayant des défauts de matériau ou de façon, à condition qu'ils n'aient pas été utilisés abusivement, manipulés sans prendre les précautions nécessaires ou réparés de façon incorrecte par des personnes autres que le Vendeur ou des prestataires de services agréés par le Vendeur.

L'OBLIGATION DU VENDEUR ET VOTRE REMÈDE SONT ÉGALEMENT LIMITÉS PAR LES DISPOSITIONS SUIVANTES :

- Le retour du produit pour un remboursement du prix d'achat dans les 30 jours doit être accompagné par l'original du reçu de la vente du produit laser ou de l'instrument de mesure. Deux retours de produits au maximum sont autorisés pour chaque client.
- Première année – garantie de remplacement instantané. BOSCH remplacera gratuitement votre produit laser ou votre instrument de mesure qui est devenu défectueux, malgré le fait qu'il a été utilisé conformément aux instructions et aux avertissements accompagnant le produit ou l'instrument, par un produit laser ou un instrument de mesure neuf ayant des caractéristiques comparables, à n'importe quel moment pendant l'année suivant l'achat. Cette garantie ne s'appliquera pas si votre produit laser ou instrument de mesure est défectueux seulement en conséquence du besoin de réétalonnage.
- Deuxième et troisième année – échange. BOSCH remplacera votre produit laser ou votre instrument de mesure qui est devenu défectueux, malgré le fait qu'il a été utilisé conformément aux instructions et aux avertissements accompagnant le produit ou l'instrument, par un produit laser ou un instrument de mesure neuf ou remis en état ayant des caractéristiques comparables moyennant un coût d'échange. Cette garantie ne s'appliquera pas si votre produit laser ou instrument de mesure est défectueux seulement en conséquence du besoin de réétalonnage.

Pour obtenir tous les détails nécessaires à une réclamation en vertu de la présente Garantie limitée, veuillez visiter www.boschtools.com ou téléphoner au 1-877-267-2499.

TOUTES LES GARANTIES IMPLICITES AURONT UNE DURÉE LIMITÉE À UN AN À COMPTER DE LA DATE DE L'ACHAT. COMME CERTAINS ÉTATS AUX ÉTATS-UNIS ET CERTAINES PROVINCES AU CANADA NE PERMETTENT PAS LA LIMITATION DE LA DURÉE DES GARANTIES IMPLICITES, LA LIMITATION QUI PRÉCÈDE NE S'APPLIQUE PEUT-ÊTRE PAS À VOUS.

LE VENDEUR NE SERA EN AUCUN CAS RESPONSABLE POUR DE QUELCONQUES DOMMAGES INDIRECTS OU SECONDAIRES (Y COMPRIS, MAIS SANS LIMITATION, LA RESPONSABILITÉ POUR PERTE DE BÉNÉFICES) RÉSULTANT DE LA VENTE OU DE L'UTILISATION DE CE PRODUIT. COMME CERTAINS ÉTATS AUX ÉTATS-UNIS ET CERTAINES PROVINCES AU CANADA NE PERMETTENT PAS L'EXCLUSION OU LA LIMITATION DES DOMMAGES INDIRECTS OU SECONDAIRES, LA LIMITATION QUI PRÉCÈDE NE S'APPLIQUE PEUT-ÊTRE PAS À VOUS.

CETTE GARANTIE LIMITÉE VOUS CONFÈRE DES DROITS LÉGAUX SPÉCIFIQUES, ET VOUS POUVEZ AVOIR D'AUTRES DROITS, QUI VARIENT D'UN ÉTAT À L'AUTRE AUX ÉTATS-UNIS, D'UNE PROVINCE À L'AUTRE AU CANADA ET D'UN PAYS À L'AUTRE.

CETTE GARANTIE LIMITÉE NE S'APPLIQUE QU'AUX PRODUITS VENDUS AUX ÉTATS-UNIS D'AMÉRIQUE, AU CANADA ET À PORTO RICO. POUR CONNAÎTRE LA COUVERTURE DE LA GARANTIE DANS D'AUTRES PAYS, VEUILLEZ CONTACTER VOTRE DISTRIBUTEUR OU IMPORTATEUR BOSCH.

Normas generales de seguridad

⚠ ADVERTENCIA Lea todas las instrucciones. Si no se siguen todas las instrucciones que aparecen a continuación, el resultado podría ser exposición a radiación peligrosa, descargas eléctricas, incendio y/o lesiones graves. La expresión “herramienta de medición, detección y disposición” en todas las advertencias que aparecen a continuación se refiere a su herramienta de medición, detección y disposición alimentada por la red eléctrica (alámbrica) o su herramienta de medición, detección y disposición alimentada por baterías (inalámbrica).

⚠ ADVERTENCIA Las siguientes etiquetas están colocadas en su herramienta láser para brindar le conveniencia y seguridad. Indican el lugar donde la luz láser es emitida por el nivel. CONOZCA SIEMPRE su ubicación cuando utilice el nivel.



No dirija el rayo láser hacia personas o animales y no mire al rayo láser usted mismo. Esta herramienta produce radiación láser de clase 2 y cumple con las normas 21 CFR 1040.10 y 1040.11, excepto por las desviaciones conformes al Aviso sobre láser No. 50, de fecha 24 de junio de 2007. Esto puede causar ceguera en las personas.

NO retire ni desfigure ninguna etiqueta de advertencia o de precaución. Si se retiran las etiquetas, se aumenta el riesgo de exposición a radiación láser.

La utilización de controles o ajustes, o la realización de procedimientos que no sean los especificados en este manual, puede causar exposición a radiación peligrosa.

Asegúrese SIEMPRE de que todas las personas que se encuentren en la vecindad del lugar de uso conozcan los peligros de mirar directamente al láser.

NO coloque la herramienta en una posición que pueda hacer que alguien mire al rayo láser de manera intencional o accidental. El resultado podría ser lesiones graves en los ojos.

Posicione SIEMPRE la herramienta de manera segura. Si la herramienta falla, el resultado podría ser daños a la misma y/o lesiones graves al usuario.

Utilice SIEMPRE sólo los accesorios que estén recomendados por el fabricante de su herramienta. El uso de accesorios que hayan sido diseñados para utilizarse con otras herramientas podría causar lesiones graves.

NO utilice esta herramienta para propósitos que no sean los indicados en este manual. Si lo hace, el resultado podría ser lesiones graves.

NO deje la herramienta láser “ENCENDIDA” desatendida en ningún modo de funcionamiento.

NO desarme la herramienta. En su interior no hay piezas reparables ni reemplazables por el usuario. No modifique el producto de ninguna manera. Si se modifica la herramienta, el resultado podría ser exposición a radiación láser peligrosa.

NO utilice los anteojos de visión láser como anteojos de seguridad. Los anteojos de visión láser se utilizan para mejorar la visualización del rayo láser, pero no protegen contra la radiación láser.

NO utilice los anteojos de visión láser como lentes de sol o en tráfico. Los anteojos de visión láser no ofrecen protección completa contra los rayos UV y reducen la percepción de los colores.

NO use herramientas ópticas, tales como, pero no limitadas a, telescopios o telescopios meridianos, para ver el rayo láser. El resultado podría ser lesiones graves en los ojos.

NO mire directamente al rayo láser ni proyecte el rayo láser directamente a los ojos de otras personas. El resultado podría ser lesiones graves en los ojos.

GUARDE ESTAS INSTRUCCIONES

Seguridad en el área de trabajo

Mantenga el área de trabajo limpia y bien iluminada. Las áreas desordenadas u oscuras invitan a que se produzcan accidentes.

NO utilice la herramienta láser cerca de niños ni deje que los niños utilicen la herramienta láser. El resultado podría ser lesiones graves en los ojos.

Seguridad eléctrica

⚠ ADVERTENCIA Las baterías pueden explotar o tener fugas y causar lesiones o incendios. Para reducir este riesgo, siga siempre todas las instrucciones y advertencias que están en la etiqueta y en el paquete de las baterías.

NO haga cortocircuito en los terminales de las baterías.

NO cargue baterías alcalinas.

NO mezcle baterías viejas y nuevas. Reemplace todas las baterías al mismo tiempo con baterías nuevas de la misma marca y el mismo tipo.

NO mezcle las químicas de las baterías.

Deseche o recicle las baterías de acuerdo con el código local.

NO deseche las baterías en un fuego.

Mantenga las baterías fuera del alcance de los niños.

Retire las baterías si el dispositivo no se va a usar durante varios meses.

Seguridad personal

Manténgase alerta, fíjese en lo que está haciendo y use el sentido común cuando utilice una herramienta. No utilice una herramienta mientras esté cansado o bajo la influencia de drogas, alcohol o medicamentos. Un momento de descuido mientras se utiliza una herramienta puede causar lesiones personales graves o resultados de medición incorrectos.

Use equipo de seguridad. Use siempre protección de los ojos. El equipo de seguridad, tal como una máscara antipolvo, zapatos de seguridad antideslizantes, casco o protección de la audición, utilizado para las condiciones apropiadas, reducirá las lesiones corporales.

Uso y cuidado

Use la herramienta correcta para la aplicación que vaya a realizar. La herramienta correcta de medición, detección y disposición hará el trabajo mejor y de manera más segura a la capacidad nominal para la que fue diseñada.

No utilice la herramienta si el interruptor no la enciende y apaga. Cualquier herramienta que no se pueda controlar con el interruptor es peligrosa y debe ser reparada.

Cuando no esté utilizando la herramienta, almacénela fuera del alcance de los niños y no deje que las personas que no estén familiarizadas con ella o con estas instrucciones utilicen la herramienta. Las herramientas son peligrosas en las manos de los usuarios que no hayan recibido capacitación.

Mantenga las herramientas. Compruebe si hay piezas desalineadas o que se atoren, si hay piezas rotas y si existe cualquier otra situación que pueda afectar al funcionamiento. Si la herramienta está dañada, se debe reparar antes de utilizarla. Muchos accidentes son causados por herramientas de medición, detección y disposición mal mantenidas.

Utilice la herramienta, los accesorios, etc., de acuerdo con estas instrucciones y de la manera prevista para el tipo específico de herramienta, teniendo en cuenta las condiciones de trabajo y el trabajo que se vaya a realizar. El uso de la herramienta para realizar operaciones distintas a las previstas podría causar una situación peligrosa.

Servicio

Haga que su herramienta reciba servicio de ajustes y reparaciones por un técnico de reparaciones calificado, utilizando únicamente piezas de repuesto idénticas. Esto asegurará que se mantenga la seguridad de la herramienta.

Desarrolle un programa de mantenimiento periódico para su herramienta. Cuando limpie una herramienta, tenga cuidado de no desarmar ninguna parte de la herramienta, ya que los cables internos se pueden descolocar o pellizcar, o se pueden montar incorrectamente. Ciertos agentes de limpieza, tales como gasolina, tetracloruro de carbono, amoníaco, etc., pueden dañar las piezas de plástico.

GUARDE ESTAS INSTRUCCIONES.

Uso previsto

El aparato de medición ha sido diseñado para trazar y controlar líneas horizontales y verticales.

El aparato de medición es apto para ser utilizado exclusivamente en recintos cerrados.

Preparación

Inserción y cambio de la pila

Usar exclusivamente pilas alcalinas-manganeso.

Para abrir la tapa del alojamiento de la pila **5** presione el enclavamiento **4** y abra la tapa. Inserte las pilas. Respete la polaridad indicada en la parte interior del alojamiento de las pilas.

Siempre sustituya todas las pilas al mismo tiempo. Utilice pilas del mismo fabricante e igual capacidad.

- **Saque las pilas del aparato de medida si pretende no utilizarlo durante largo tiempo.** Tras un tiempo de almacenaje prolongado, las pilas se puede llegar a corroer y autodescargar.

Características

La numeración de los componentes está referida a la imagen del aparato de medición en la página ilustrada.

- 1 Abertura de salida del rayo láser
- 2 Indicador de nivelación automática
- 3 Interruptor de conexión/desconexión
- 4 Enclavamiento de la tapa del alojamiento de la pila
- 5 Tapa del alojamiento de la pila

- 6 Superficies de apoyo
- 7 Señal de aviso láser
- 8 Fijación para trípode 1/4"
- 9 Estuche de protección
- 10 Gafas para láser*
- 11 Trípode*

*Los accesorios descritos e ilustrados no corresponden al material que se adjunta de serie.

Datos Técnicos

Alcance	
– Estándar	10 m
Precisión de nivelación	±0,5 mm/m
Margen de autonivelación, típico	±4°
Tiempo de nivelación, típico	4 s
Temperatura de operación	5°C~ +40°C
Temperatura de almacenamiento	-20°C~ +70°C
Humedad relativa máx.	90 %

Clase de láser	2
Tipo de láser	635 nm, <1 mW
Fijación para trípode	1/4-20
Pilas	3 x 1,5 V LR6 (AA)
Autonomía aprox.	15 h
Peso	0,4 kg
Dimensiones	108 x 66 x 92 mm

Preste atención al nº de artículo que figura en la placa de características de su aparato de medida, ya que pueden variar las denominaciones comerciales en ciertos aparatos de medida.

Operación

Puesta en marcha

- **Proteja el aparato de medida de la humedad y de la exposición directa al sol.**
- **No exponga el aparato de medición ni a temperaturas extremas ni a cambios bruscos de temperatura.** No lo deje, p.ej., en el coche durante un largo tiempo. Si el aparato de medición ha quedado sometido a un cambio fuerte de temperatura, antes de ponerlo en servicio, esperar primero a que se atempere.
- **Evite las sacudidas o caídas fuertes del aparato de medición.** Los daños producidos en el aparato de medición pueden afectar a la precisión de medida. En caso de haber sufrido un golpe o caída

fuerte, comparar la línea del láser con una línea de referencia horizontal o vertical conocida.

- **Desconecte el aparato de medición cuando vaya a transportarlo.** Al desconectarlo, la unidad del péndulo se inmoviliza, evitándose así que se dañe al quedar sometida a una fuerte agitación.

Conexión/desconexión

Para conectar el aparato de medición, empuje e interruptor de conexión/desconexión **3** a la posición "On". Nada más conectarlo, el aparato de medición emite dos líneas láser por la abertura de salida **1**.

- **No oriente el rayo láser contra personas ni animales, ni mire directamente hacia el rayo láser, incluso encontrándose a gran distancia.**

Para **desconectar** el aparato de medición, empuje el interruptor de conexión/desconexión **3** a la posición "Off". Al desconectarlo se inmoviliza la unidad del péndulo.

- **No deje desatendido el aparato de medición estando conectado, y desconéctelo después de cada uso.** El rayo láser podría llegar a deslumbrar a otras personas.

Nivelación automática

Operación con nivelación automática (ver figuras A-B)

Coloque el aparato de medición sobre una base de asiento horizontal y consistente, asiente las superficies de apoyo **6** contra una superficie vertical, o fíjelo a un trípode **11**.

Al conectar el aparato, la nivelación automática compensa automáticamente un desnivel, siempre que éste esté comprendido dentro del margen de autonivelación de $\pm 4^\circ$. La nivelación finaliza cuando dejan de moverse las líneas láser. El indicador **2** se ilumina de color verde.

Si no fuese posible realizar el nivelado automático, p.e.j., si la base de asiento del aparato estuviese inclinada más de 4° respecto a la horizontal, el indicador **2** se pone de color rojo y el láser es desconectado automáticamente. Coloque entonces el aparato de medición en posición horizontal,

o bien, asiente sus superficies de apoyo **6** contra una superficie vertical, cuidando que quede recto, y espere a que se autonevele. En el momento en que el aparato de medición se encuentre dentro del margen de autonivelación de $\pm 4^\circ$, el indicador **2** se ilumina de color verde, y las líneas láser se conectan.

No es posible trabajar con el aparato de medición si éste está posicionado fuera del margen de autonivelación de $\pm 4^\circ$, ya que en ese caso no queda garantizado que los haces del láser estén perpendiculares entre sí.

En el caso de presentarse sacudidas o ligeras variaciones de posición durante la operación, el aparato de medición se nivela automáticamente. Después de un nuevo nivelado, controle la posición de la línea láser horizontal o vertical respecto a los puntos de referencia para evitar errores en la medición.

Instrucciones para la operación

- Siempre utilice el centro del haz del láser para marcar un punto. El tamaño del haz del láser varía con la distancia.

Utilice con accesorios especial

Operación con trípode (ver figuras C)

Un trípode **11** constituye una base de medición estable ajustable en altura. Encare la fijación para trípode **8** del aparato de medición con la rosca de $1/4"$ del trípode, y sujételo apretando el tornillo de fijación.

Apoyo lateral (ver figura D)

Para controlar el nivel de altura de forma rápida puede Ud. asentar lateralmente contra paredes, armarios, etc. las superficies de apoyo **6** del aparato de medición. Preste atención a mantener recto el aparato de medición, cuidando que no se mueva.

Gafas para láser (accesorio especial)

Las gafas para láser filtran la luz del entorno. Ello permite apreciar con mayor intensidad la luz roja del láser.

- **No use las gafas para láser como gafas de protección.** Las gafas para láser le ayudan a detectar mejor el rayo láser, pero no le protegen de la radiación láser.
- **No emplee las gafas para láser como gafas de sol ni para circular.** Las gafas para láser no le protegen suficientemente contra los rayos ultravioleta y además no le permiten apreciar correctamente los colores.

Mantenimiento y servicio

Solamente guarde y transporte el aparato de medida en el estuche de protección adjunto.

Mantenga limpio siempre el aparato de medida.

No sumerja el aparato de medición en agua ni en otros líquidos.

Limpiar el aparato con un paño húmedo y suave.

No usar detergentes ni disolventes.

Limpie con regularidad sobre todo el área en torno a la abertura de salida del láser, cuidando que no queden motas.

Si a pesar de los esmerados procesos de fabricación y control, el aparato de medida llegase a averiarse, la reparación deberá encargarse a un taller de servicio autorizado para herramientas eléctricas Bosch.

Al realizar consultas o solicitar piezas de repuesto, es

imprescindible indicar siempre el n° de artículo de 10 dígitos que figura en la placa de características del aparato de medida.

En caso de una reparación, envíe el aparato en el estuche de protección **9**.

PROTECCIÓN AMBIENTAL

Recicle materias primas en vez de botarlas a la basura.

La máquina, los accesorios y el empaque deberán ser clasificados para un reciclado compatible con el ambiente.

No bote las baterías en la basura de su casa, al fuego o al agua, sino deshágase de ellas en una forma amiga del medio ambiente y de acuerdo con las regulaciones legales que corresponden.



GARANTÍA LIMITADA PARA PRODUCTOS DE HERRAMIENTAS LÁSER Y DE MEDICIÓN BOSCH

Robert Bosch Tool Corporation (el "Vendedor") garantiza, únicamente al comprador original, que todos los productos de herramientas láser y de medición BOSCH estarán libres de defectos de material o de fabricación durante un período de tres (3) años a partir de la fecha de compra.

LA ÚNICA OBLIGACIÓN DEL VENDEDOR Y EL RECURSO EXCLUSIVO QUE USTED TIENE bajo esta Garantía Limitada y, hasta donde la ley lo permita, cualquier garantía o condición implícita por ley, consistirán en la reparación o el reemplazo de los productos de herramientas láser y de medición que presenten defectos de material o de fabricación y que no hayan sido utilizados incorrectamente, manejados descuidadamente o reparados incorrectamente por personas que no sean el Vendedor o proveedores de Servicio Autorizados por el Vendedor.

LA OBLIGACIÓN DEL VENDEDOR Y EL RECURSO QUE USTED TIENEN ESTÁN LIMITADOS ADICIONALMENTE DE LA MANERA SIGUIENTE:

- **Reembolso de devolución del dinero o reemplazo durante 30 días.** Si no está completamente satisfecho con el rendimiento de su producto de herramienta láser o de medición, por cualquier motivo, puede devolverlo a distribuidor BOSCH dentro del plazo de 30 días a partir de la fecha de compra para obtener un reembolso completo o un reemplazo. Para obtener este reembolso o reemplazo dentro del plazo de 30 días, su devolución debe estar acompañada por el recibo de compra original del producto de herramienta láser o de medición. Se permitirá un máximo de 2 devoluciones por cliente.
- **Garantía OTC durante el primer año.** BOSCH reemplazará su producto de herramienta láser o de medición que haya fallado cuando se haya utilizado de acuerdo con las instrucciones y advertencias del producto, con un producto de herramienta láser o de medición nuevo de características comparables, gratuitamente, en cualquier momento durante el primer año después de la compra. Esta garantía no se aplica si su producto de herramienta láser o de medición falla solamente debido a la necesidad de calibración.
- **Intercambio dentro del plazo de 2 y 3 años.** BOSCH reemplazará su producto de herramienta láser o de medición que haya fallado cuando se haya utilizado de acuerdo con las instrucciones y advertencias del producto, con un producto de herramienta láser o de medición nuevo o reacondicionado de características comparables, por un costo de intercambio. Esta garantía no tiene aplicación si su producto de herramienta láser o de medición falla solamente debido a la necesidad de recalibración.

Para obtener detalles con el fin de presentar un reclamo bajo esta Garantía Limitada, sírvase visitar www.boschtools.com o llamar al 1-877-267-2499.

TODAS LAS GARANTÍAS IMPLÍCITAS TENDRÁN UNA DURACIÓN LIMITADA A UN AÑO A PARTIR DE LA FECHA DE COMPRA. ALGUNOS ESTADOS DE LOS EE.UU. Y ALGUNAS PROVINCIAS CANADIENSES NO PERMITEN LIMITACIONES EN CUANTO A LA DURACIÓN DE UNA GARANTÍA IMPLÍCITA, POR LO QUE ES POSIBLE QUE LA LIMITACIÓN QUE ANTECEDE NO TENGA APLICACIÓN EN EL CASO DE USTED.

EL VENDEDOR NO SERÁ RESPONSABLE EN NINGÚN CASO POR DAÑOS INCIDENTALES O EMERGENTES (INCLUYENDO PERO SIN ESTAR LIMITADOS A RESPONSABILIDAD POR PÉRDIDA DE GANANCIAS) QUE SURJAN DE LA VENTA O UTILIZACIÓN DE ESTE PRODUCTO. ALGUNOS ESTADOS DE LOS EE.UU. Y ALGUNAS PROVINCIAS CANADIENSES NO PERMITEN LA EXCLUSIÓN O LIMITACIÓN DE LOS DAÑOS INCIDENTALES O EMERGENTES, POR LO QUE ES POSIBLE QUE LA LIMITACIÓN QUE ANTECEDE NO TENGA APLICACIÓN EN EL CASO DE USTED.

ESTA GARANTÍA LIMITADA LE CONFIERE A USTED DERECHOS LEGALES ESPECÍFICOS Y ES POSIBLE QUE USTED TENGA TAMBIÉN OTROS DERECHOS QUE VARIAN DE UN ESTADO A OTRO EN LOS EE.UU. O DE UNA PROVINCIA A OTRA EN CANADÁ Y DE UN PAÍS A OTRO.

ESTA GARANTÍA LIMITADA SE APLICA SÓLO A LOS PRODUCTOS VENDIDOS EN LOS ESTADOS UNIDOS DE AMÉRICA, CANADÁ Y EL ESTADO LIBRE ASOCIADO DE PUERTO RICO. PARA OBTENER COBERTURA DE GARANTÍA EN OTROS PAÍSES, PÓNGASE EN CONTACTO CON SU DISTRIBUIDOR O IMPORTADOR BOSCH LOCAL.

© Robert Bosch Tool Corporation 1800 W. Central Road Mt. Prospect, IL 60056-2230

Exportado por: Robert Bosch Tool Corporation Mt. Prospect, IL 60056-2230, E.U.A.

Importado en México por: Robert Bosch, S.A. de C.V., Calle Robert Bosch No. 405, Zona Industrial, Toluca, Edo. de México, C.P. 50070, Tel. (722) 2792300

Free Manuals Download Website

<http://myh66.com>

<http://usermanuals.us>

<http://www.somanuals.com>

<http://www.4manuals.cc>

<http://www.manual-lib.com>

<http://www.404manual.com>

<http://www.luxmanual.com>

<http://aubethermostatmanual.com>

Golf course search by state

<http://golfingnear.com>

Email search by domain

<http://emailbydomain.com>

Auto manuals search

<http://auto.somanuals.com>

TV manuals search

<http://tv.somanuals.com>