



VIP X1 XF E

VIP-X1XF-E



BOSCH

en Quick Installation Guide

Table of Contents

1	About this Quick Installation Guide	4
2	Parts included	5
3	Unpacking	6
4	Installation	7
4.1	Preparing for wall-mounting	7
4.2	Mounting the frame	8
4.3	Placing the unit in the frame	9
5	Connection	10
5.1	Connecting the camera and audio	10
5.2	Creating a serial connection	11
5.3	Alarm and relay connections	12
5.4	Establishing the network connection	13
5.5	Connecting the power supply	14
6	Assigning an IP address	15

1 About this Quick Installation Guide

This Quick Installation Guide applies to all variants of the VIP X1 XF E.

WARNING!



You should always make yourself familiar with the required safety measures (see Safety document enclosed).

Only operate the VIP X1 XF E in combination with an LPS/NEC Class 2 power supply unit with limited output.

This Quick Installation Guide only describes the basic procedure for installing a VIP X1 XF E and cannot replace the complete manual.

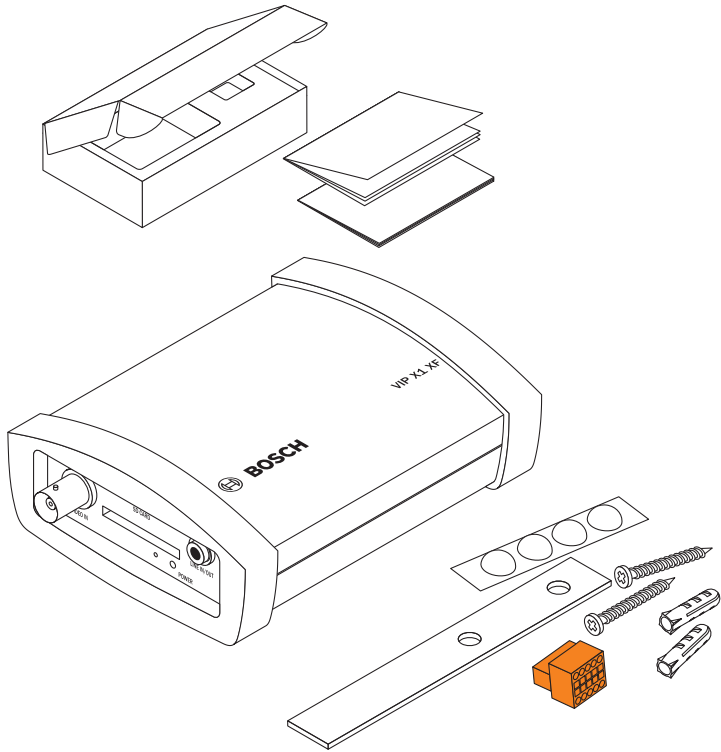
For further detailed information, please see the extensive online Help for the VIP X1 XF E.

This Quick Installation Guide, the Installation and Operating Manual and the current firmware package are available in various languages at www.boschsecurity.com.

2 **Parts included**

- 1 VIP X1 XF E network video server
- 1 terminal block
- 4 self-adhesive elastic bumpers
- 1 wall-mounting panel
- 2 screws
- 2 wall plugs
- 1 Quick Installation Guide
- 1 Safety Hints

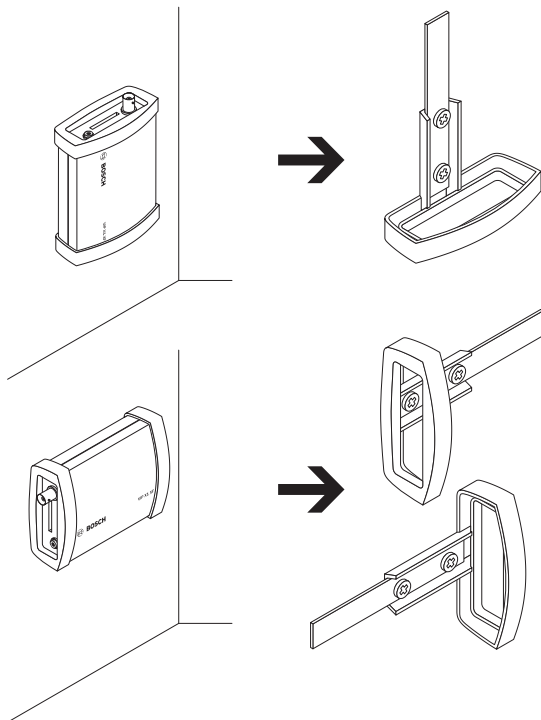
3 Unpacking



- Check that the delivery is complete and in perfect condition.
- Arrange for the unit to be checked by Bosch Security Systems if you find any damage.

4 Installation

4.1 Preparing for wall-mounting

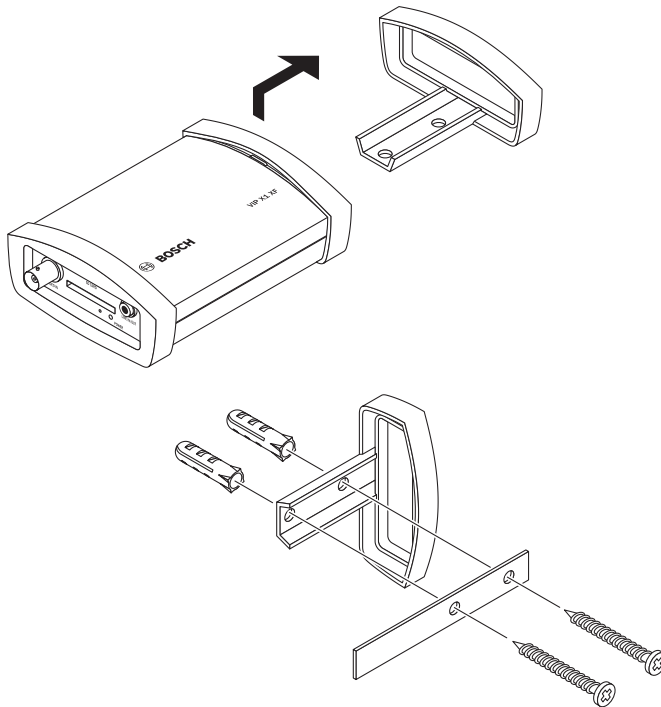


You can secure the VIP X1 XF E to any load-bearing wall using the wall-mounting panel, in either a vertical or a horizontal position.

CAUTION!

If mounting the unit in a vertical position, you will need to use the lower plastic frame and then place the unit onto the frame from above. If mounting the unit in a horizontal position, you can use either of the two frames.

4.2 Mounting the frame

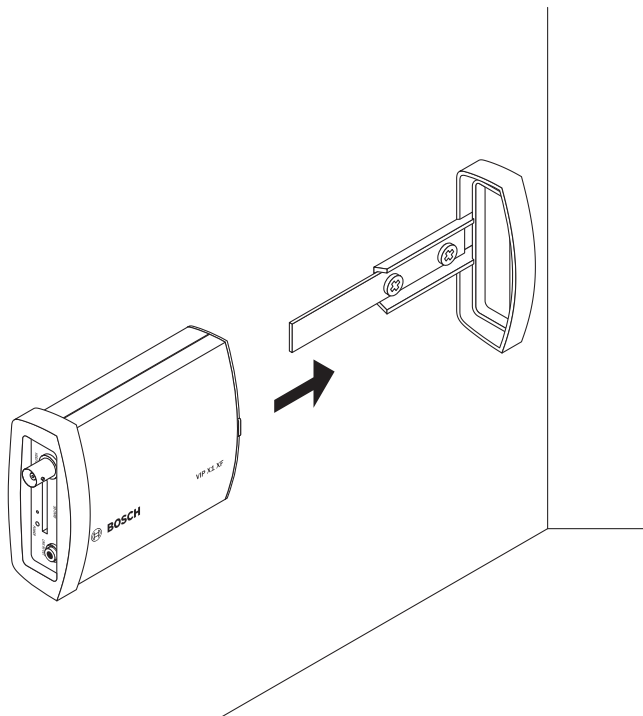


CAUTION!

The mounting location must be able to reliably hold the unit. The load-bearing capacity must be adequate for four times the weight of the unit.

- Lift the plastic frame on one side of the housing and carefully remove it from the unit.
- Screw the plastic frame in the required position together with the wall-mounting panel.
- Check that the plastic frame is secure.

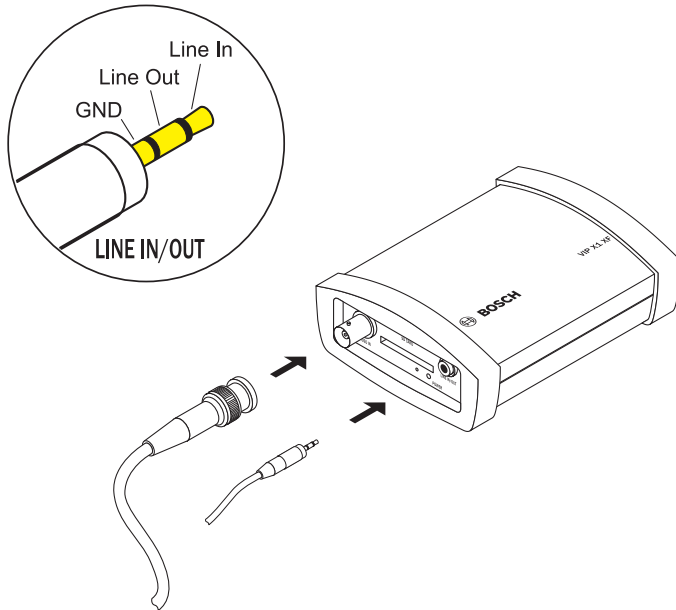
4.3 Placing the unit in the frame



- Place the unit on the wall-mounting panel, with the panel positioned between the housing and the second plastic frame.
- Slide the unit into the plastic frame until you feel it lock securely into place.
- Finally, check that the unit is securely attached in the installation location.

5 Connection

5.1 Connecting the camera and audio



CAUTION!

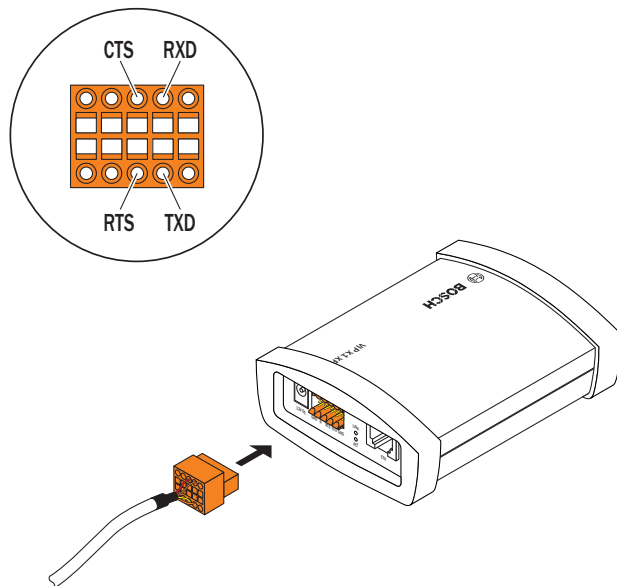
Please observe the following specifications:

Line In: 9 kOhm typ., 5.5 Vp-p max.

Line Out: 16 Ohm min., 3 Vp-p max.

- Connect the camera to the socket **VIDEO IN**.
- Use the **LINE IN/OUT** socket for audio line connections.

5.2 Creating a serial connection

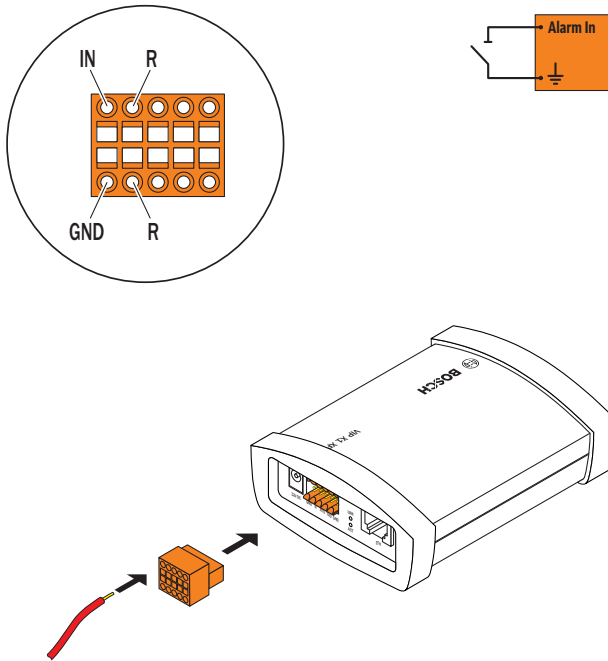


CAUTION!

Please observe the labeling on the orange socket of the VIP X1 XF E.

- If you require a serial connection to the VIP X1 XF E, connect the relevant cables to the terminal block.
- Connect the terminal block to the orange socket on the VIP X1 XF E.

5.3 Alarm and relay connections



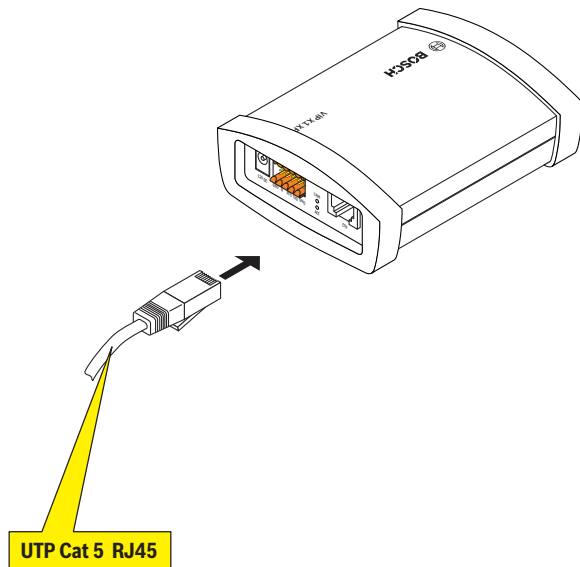
CAUTION!

Please observe the labeling on the orange socket of the VIP X1 XF E.

Please observe the following specifications for the relay contact: max. 30 V_{p-p} (SELV), 200 mA

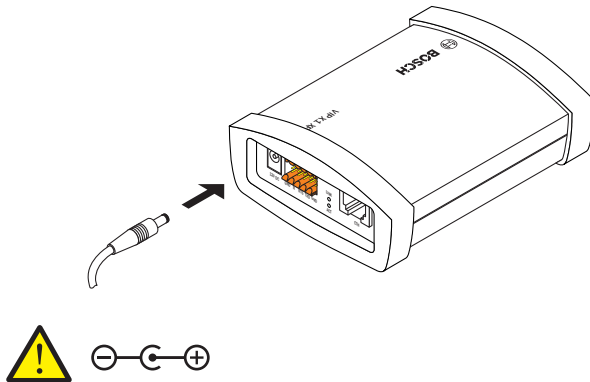
- Connect the alarm switch to the appropriate terminals.
- Connect the switch connection to the appropriate terminals.

5.4 Establishing the network connection



- Connect the VIP X1 XF E to the network via the **ETH** socket.

5.5 Connecting the power supply



CAUTION!

Only operate the VIP X1 XF E in combination with an LPS/NEC Class 2 power supply unit that has limited output and meets the following specifications: 12 V output voltage, 0.30 A max.


- Connect the power supply unit to the **12V DC** socket. The jack must fit a pin of 2 mm in diameter.
- Insert the power supply unit plug into a suitable socket.

6 Assigning an IP address



NOTICE!

Before you can operate the unit within your network, it must have a valid IP address for your network and a compatible subnet mask.

- If you have not already done so, install the **Video Client** program from the download area on our website.
- Start **Video Client**.
- Click  to start **Configuration Manager**. The system automatically searches the network for compatible units.
- When the unit is displayed in the list, **Configuration Wizard** starts automatically. If not, select **Configuration Wizard...** from the **Tools** menu.
- Follow the instructions given in the **Configuration Wizard** window.

Bosch Sicherheitssysteme GmbH

Robert-Bosch-Ring 5

85630 Grasbrunn

Germany

www.boschsecurity.com

© Bosch Sicherheitssysteme GmbH, 2012

Free Manuals Download Website

<http://myh66.com>

<http://usermanuals.us>

<http://www.somanuals.com>

<http://www.4manuals.cc>

<http://www.manual-lib.com>

<http://www.404manual.com>

<http://www.luxmanual.com>

<http://aubethermostatmanual.com>

Golf course search by state

<http://golfingnear.com>

Email search by domain

<http://emailbydomain.com>

Auto manuals search

<http://auto.somanuals.com>

TV manuals search

<http://tv.somanuals.com>