

Bosch Use and Care Manual: NGT/NGP



BOSCH
Invented for life



Questions?

1-800-944-2904

www.boschappliances.com

5551 McFadden Ave.
Huntington Beach, CA 92649

We look forward to hearing from you!

Table of Contents

Important Safety Instructions	1
About the Cooktop	3
Parts and Accessories	3
Sealed Burners	4
Burner Caps	4
Burner Grates	4
Burner Control Knobs	5
Using the Cooktop	5
Before Using the Cooktop for the First Time	5
Operation	6
Normal Operation (Electronic Ignition/Reignition)	6
In the Event of a Power Failure	6
Typical Flame Characteristics	6
Getting the Most Out Of Your Cooktop	7
Cooking Techniques (For Best Results)	7
Proper Cookware	7
Cookware Characteristics	7
Proper Cookware Practices	7
Cooking Chart	8
Care and Cleaning	9
Daily Cleaning Practices	9
Cleaning Guidelines	10
Service	11
Before Calling for Service	11
Data Plate	11
For Authorized Service or Parts	11
Warranty	11
What Is Covered - Full One Year Warranty	11
What Is Not Covered	11
Warranty Application	12
Model Information	12



IMPORTANT SAFETY INSTRUCTIONS

READ AND SAVE THESE INSTRUCTIONS

Important Safety Instructions



WARNING: Read all instructions before using this appliance. To reduce the risk of fire, electric shock, or injury to persons, take these precautions:

General Safety

- This appliance is intended for normal family household use only. See the Warranty. If you have any questions, contact the manufacturer.
- Always have a working smoke detector near the kitchen.
- Never use the cooktop to warm or heat a room.
- Children should not be left alone or unattended in an area where appliances are in use. They should never be allowed to sit or stand on any part of the appliance.
- When children become old enough to use the cooktop, they must be instructed in safe practices.
- Do not store items of interest to children above or at the back of the cooktop.
- Do not store flammable materials on or near the cooktop.
- In the event that personal clothing catches fire, drop and roll immediately to extinguish flames.
- Never let clothing, potholders, or other flammable materials come in contact with hot burners or hot burner grates.
- Do not clean the cooktop while it is still hot. Some cleaners produce noxious fumes when applied to a hot surface.
- Smother flames from food fires other than grease fires with baking soda. Never use water on cooking fires.
- Do not allow aluminum foil, plastic, paper or cloth to come in contact with a hot burner or grate. Do not allow pans to boil dry.
- Have the cooktop installed and grounded by a qualified technician.
- Do not repair or replace any part of the appliance unless specifically recommended in this manual. All other servicing should be referred to a qualified technician.
- Do not use aluminum foil to line any part of the cooktop.
- If the cooktop is near a window, be certain that curtains or any other window covering do not blow over or near the burners; they could catch on fire.
- When using the cooktop: Do not touch the burner grates or the immediate surrounding area.
- Use only dry potholders; moist or damp potholders on hot surfaces may cause burns from steam.
- Never leave the cooktop unattended when in use. Boilovers cause smoking, and greasy spillovers may ignite.
- Always position handles of utensils inward so they do not extend over adjacent work areas, burners, or the edge of the cooktop.
- Wear proper apparel. Loose fitting garments or hanging sleeves should never be worn while cooking.
- Use only certain types of glass, heatproof glass, ceramic, earthenware, or other glazed utensils that are suitable for cooktop use.
- Leave the hood ventilator on when flambéing food.
- Smother flames from a grease fire with a close-fitting lid, cookie sheet, or other metal tray, then turn off the gas burner. Be careful to prevent burns. If the flames do not go out immediately, evacuate and call the fire department.
- Do not use water, including wet dishcloths or towels on grease fires. A violent steam explosion may result.
- Never pick up a flaming pan. You may be burned.



WARNING: To avoid electrical shock hazard, before servicing the cooktop, switch power off at the service panel and lock the panel to prevent the power from being switched on accidentally.

Fire Extinguishers

Use an extinguisher only if:

- You know you have a Class ABC extinguisher and you know how to operate it.
- The fire is small and contained in the area where it started.
- The fire department is being called.
- You can fight the fire with your back to an exit.

Gas Appliance Safety



WARNING: If the information in this manual is not followed exactly, a fire or explosion may result causing property damage, personal injury or death.

Do not store or use combustible materials, gasoline or other flammable vapors and liquids in the vicinity of this or any other appliance.

• WHAT TO DO IF YOU SMELL GAS:

- **Do not try to light any appliance.**
- **Do not touch any electrical switch.**
- **Do not use any phone in your building.**
- **Immediately call your gas supplier from a neighbor's phone. Follow the gas supplier's instructions.**
- **If you cannot reach your gas supplier, call fire department.**

Installation and service must be performed by a qualified installer, authorized service agency or the gas supplier.

Gas Cooking Safety

- During cooking, set the burner control so that the flame heats only the bottom of the pan and does not extend beyond the bottom of the pan.
- Take care that drafts like those from fans or forced air vents do not blow flammable material toward the flames or push the flames so that they extend beyond the edges of the pan.
- Have the cooktop installed and grounded by a qualified technician. Have the installer show you where the gas shut-off valve is located.
- For proper lighting and performance of burners, keep igniters clean and dry.
- In the event that a burner goes out and gas escapes, open a window or a door. Wait at least 5 minutes before using the cooktop.
- Do not obstruct the flow of combustion and ventilation air.

California Proposition 65



WARNING: Burning gas cooking fuel generates some by-products which are on the list of substances which are known by the State of California to cause cancer or reproductive harm. To minimize exposure to these substances, always operate this unit according to the instructions contained in this booklet and provide good ventilation.

About the Cooktop

Parts and Accessories

Figure 1 - Parts

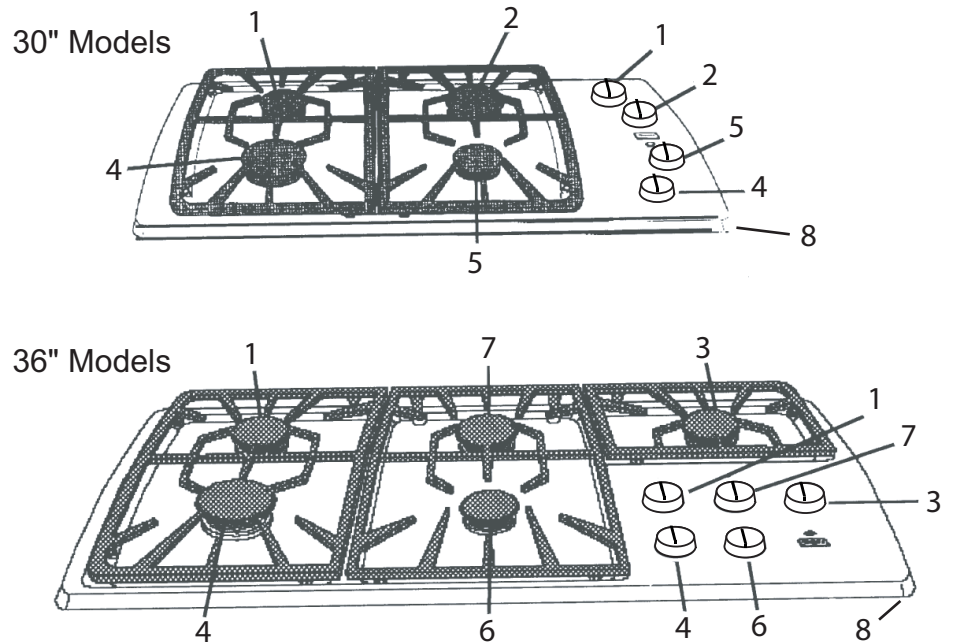


Table 1: Features Key

#	Location	BTU Rate
1	Left Rear	9,100
2	Right Rear - 30"	11,000
3	Right Rear-36"	9,100
4	Left Front	12,500 - NGT Model 15,000 - NGP Model
5	Right Front-30", Simmer Burner	6,500/950
6	Center Front-36", Simmer Burner	6,500/950
7	Center Rear-36"	11,000
8	Serial Number/Data Plate	

* Key numbers 1-7 also correspond to the control knob location for the burner.

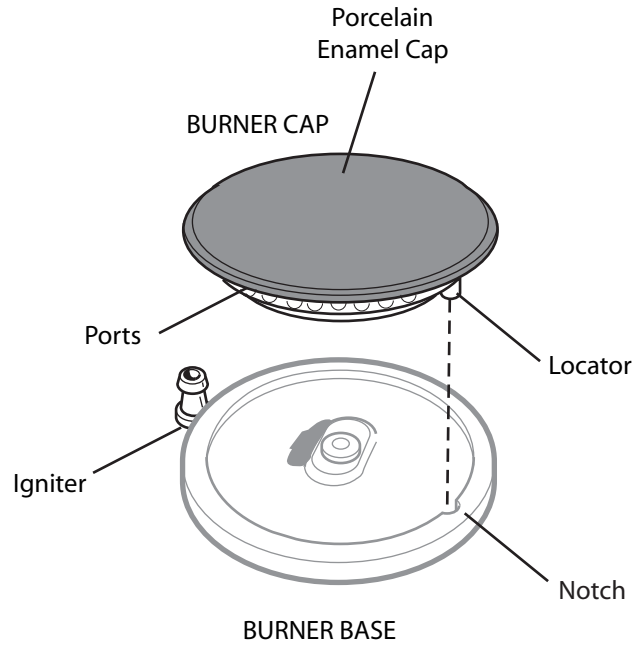
Sealed Burners

Your new cooktop has sealed gas burners. There are no burner parts under the cooktop to clean, disassemble or adjust. Your cooktop has two different burner cap sizes, large and medium. Match the pan to the size burner.

Burner Caps

The burner cap is porcelainized steel. On the underside of the cap is one locator which must fit into the corresponding notch on the burner base. If the burner cap is not placed correctly, the burner may not light or the flame may not burn completely or correctly.

Figure 2 - Burner Cap

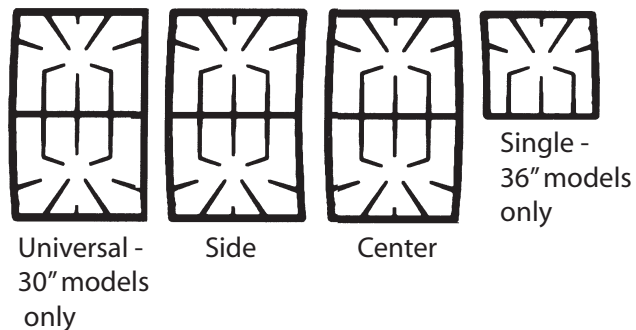


WARNING: To prevent flare-ups do not use the cooktop without all burner caps and all burner grates properly positioned.

Burner Grates

The position of each double grate is labeled on the underside edge of the grate as shown in the figure below.

Figure 3 - Burner Grates



30" (76cm) Models have two universal grates. Position the straight side in the center. They are interchangeable by rotating 180°.

36" (91cm) Models have one side grate, one center grate and one single grate. Position the grates on the cooktop as illustrated above.

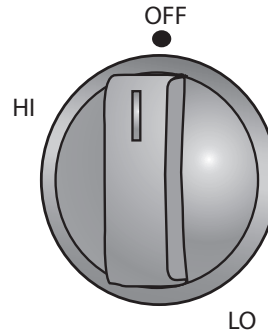


WARNING: To prevent flare-ups all grates must be properly positioned on the cooktop whenever the cooktop is in use. Each of the four feet must be placed into the corresponding dimples in the cooktop. Do not use a grate if the rubber feet are missing or damaged.

Burner Control Knobs

The standard burner controls have an infinite number of heat settings with no fixed positions.

Figure 4 - Burner Control Knob



To operate: Select the appropriate control knob, push down and turn counter-clockwise to the desired flame size. Turn OFF by turning the control knob clockwise to OFF.

A rubber grommet is located under each control knob.

To remove knob and grommet: With burner in the OFF position, gently lift knob up and off. Gently pull grommet toward center and lift out.



WARNING: To avoid electric shock, do not reach through opening into rough-in box.

To replace grommet and knob: Replace grommet by placing center groove around cooktop. The rubber grommet should be firmly attached around the cooktop opening. Place the control knob indicator line at the OFF position; press down firmly.

Using the Cooktop

Before Using the Cooktop for the First Time

- Remove all packing materials and literature from the cooktop surface.
- While cool, wipe with a clean, damp sponge and dry.
- There may be a slight odor during the first several uses; this is normal and will disappear.
- Optimum cooking results depend on the proper cookware being selected and used. (See Proper Cookware.)
- Read all safety precautions and Use and Care Manual information prior to operating.

Operation

Normal Operation (Electronic Ignition/Reignition)

The cooktop uses electronic igniters to light the burners. There is no pilot light. Each burner has its own igniter. If a burner flame blows out during use, the burner will automatically reignite.



CAUTION: All igniters spark when any single burner is turned ON or the reignition system is activated. Do not touch any of the burners when the cooktop is in use.

The ignitor should be clean and dry for proper operation.

- Avoid getting water or food on the igniter.
- If the igniter is wet or soiled, it may spark without igniting the burner, or even spark continuously when a flame is present.

NOTE: If the burner does not light within 4 seconds, turn the burner off. Check to see that the cap is positioned correctly on the burner base and the igniter is clean and dry. If a burner still fails to ignite, see Before Calling for Service.

In the Event of a Power Failure

In the event of a power failure, the burners can be ignited manually.

If the cooktop is being used when a power failure occurs, turn all the burner control knobs to the OFF position. The burners can then be ignited manually by holding a match at the ports and turning the control knob to the HI position. Wait until the flame is burning all the way around the burner before adjusting the flame to the desired height.



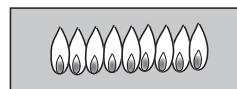
CAUTION: The reignition feature will not work in the event of a power failure.

Typical Flame Characteristics

The burner flame should be blue in color and stable with no yellow tips, excessive noise or fluttering. It should burn completely around the burner cap.

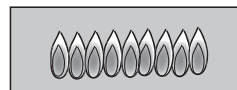
Yellow Flames:

Further adjustment is required.



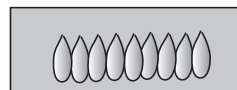
Yellow Tips on Outer Cones:

Normal for LP Gas.



Soft Blue Flames:

Normal for Natural Gas.



If the flame is completely or mostly yellow, verify that the regulator is set for the correct fuel. After adjustment, retest.

Some yellow streaking is normal during the initial start-up. Allow unit to operate

Foreign particles in the gas line may cause an orange flame during initial use. This should disappear with use. Check burner cap to make sure port holes are not obstructed. If the ports are clogged, see Before Calling for Service.

NOTE: An audible “pop” may be heard when the burner is turned off manually. The “popping” may be louder with LP gas than with natural gas. This is normal.

Getting the Most Out Of Your Cooktop

Cooking Techniques (For Best Results)

- Bring food to a boil; stir well to be sure all the food is boiling, then cover and reduce the setting to the XLO zone.
- Use a lid to keep a more constant cooking temperature.
- Use a higher XLO setting if the pan is uncovered.
- Check the food occasionally to see if the control knob should be turned to a lower or higher setting.
- If the control knob is set too low to maintain simmer, bring the food back to a boil before setting a higher simmer setting.
- It is normal to stir food occasionally.
- Simmer bubbles may not be seen when the flame has cycled OFF.
- While the flame is ON, there may be bubbling.
- There should be steam and slight quivering of the liquid's surface while simmering.
- Use proper cookware. (See section Proper Cookware below.)
- Center the pan over the burner before turning the burner on.
- Refer to the Cooking Chart below for suggested flame settings.

Proper Cookware

Cookware Characteristics

- Aluminum or copper bottomed pans conduct heat evenly.
- Steel pans, if not combined with other metals, may cook unevenly.
- Cast-iron cookware absorbs heat slowly and cooks more evenly at low-to-medium settings.
- Flat, heavy bottom pans provide even heat and stability.
- DO NOT USE pans that are thin, warped, dented or ridged as they heat unevenly.

Proper Cookware Practices

Table 2: Proper Cookware Practices




Practice	
<p>a) Match Pan Diameter to Flame Size</p> <ul style="list-style-type: none"> • The flame should be the same size as the bottom of the pan or smaller. Do not use small pans with high flame settings as the flames can lick up the sides of the pan. • Oversize pans that span two burners are placed front to rear, not side to side. 	
<p>b) Use Balanced Pans</p> <ul style="list-style-type: none"> • Pans must sit level on the cooktop grate without rocking. • Center pan over burner. 	

Table 2: Proper Cookware Practices

Practice	
<p>c) Use a Lid That Fits Properly</p> <ul style="list-style-type: none"> A well-fitting lid helps shorten the cooking time. 	

Pans that span 2 burners, i.e. griddles, roasters and fish poachers, may be used when placed front to back. Adjust flame equally to cook evenly. Use the Bosch accessory griddle on your Bosch cooktop. To order call the number listed on the back cover.

Use a Wok with a flat bottom. If using a round bottomed wok, use the Bosch accessory support wok ring. To order call the number listed on the back cover.

For simmering stews and soups, or melting chocolate, use the Bosch simmer plate accessory. The simmer plate distributes the heat evenly and gently. The simmer plate is supplied with NGP models only, but is available separately for the NGT. Follow use and care instructions provided with the simmer plate.

Canners and pressure cookers must meet the same requirements as described above. After bringing contents to a boil, use lowest heat setting possible to maintain a boil or pressure (for pressure canners/cookers).

Cooking Chart

Table 3: Cooking Chart

Food	Start Cooking	Continue Cooking / Standard Burners
<p>BREADS French Toast, Pancakes, Grilled Sandwiches</p>	<p>Med. – preheat skillet.</p>	<p>Med. Lo to Med.</p>
<p>CEREALS Cornmeal, Grits, Oatmeal</p>	<p>HI – cover, bring water to a boil, add cereal.</p>	<p>Med. Lo to Med. – finish cooking according to package directions.</p>
<p>CHOCOLATE</p>	<p>LO to melt*.</p>	<p>Remove when melted.</p>
<p>DEEP FRYING</p>	<p>HI – heat oil</p>	<p>Med. Hi - HI to maintain temperature.</p>
<p>EGGS - Fried, Scrambled</p>	<p>Med. - Med. Hi – melt butter, add egg.</p>	<p>LO to Med. Lo – finish cooking.</p>
<p>MEAT, FISH, POULTRY Bacon, Sausage Patties</p>	<p>HI – until meat starts to sizzle.</p>	<p>Med. Lo to Med. – to finish cooking.</p>
<p>Braising: Swiss Steak, Pot Roast</p>	<p>HI – melt fat, then brown on Med. Hi to HI, add liquid, cover.</p>	<p>LO to Med. Lo – cover, simmer until tender.</p>
<p>Frying: Chicken</p>	<p>HI – melt fat, then brown on Med.</p>	<p>LO – cover, finish cooking.</p>
<p>Pan Frying: Lamb Chops, Thin Steaks, Hamburgers, Link Sausage</p>	<p>Med. HI to HI – preheat skillet.</p>	<p>Med. to HI – brown meat.</p>

Table 3: Cooking Chart

Food	Start Cooking	Continue Cooking / Standard Burners
Simmering: Stewed Chicken, Corned Beef, Poaching Fish	HI – cover, bring liquid to a boil.	LO to Med. Lo
POPCORN	Med to Med. HI – cover, heat until kernels start to pop.	Med. to Med. HI – finish popping.
PRESSURE COOKER Meat, Vegetables	Med. HI to HI – build up pressure.	Med. LO to Med. – maintain pressure.
RICE	HI – cover, bring water to boil, add rice, cover.	LO to Med. LO – cover, cook according to package directions.
SAUCES Tomato Base	Med. HI to HI – cook meat/vegetables, follow recipe.	LO to Med. LO
White, Cream, Bernaise, Hollandaise	Lo - Med. LO – melt fat, follow recipe.	LO to Med. LO – finish cooking.
SOUPS, STEWS	HI – cover, bring liquid to a boil.	LO to Med. LO – simmer.
STIR FRY	HI – heat oil, add vegetables.	Med. HI to HI – finish cooking.
VEGETABLES Fresh	HI – cover, bring water and vegetable to a boil.	Med. LO to Med. – cook 10 to 30 minutes, or until tender.

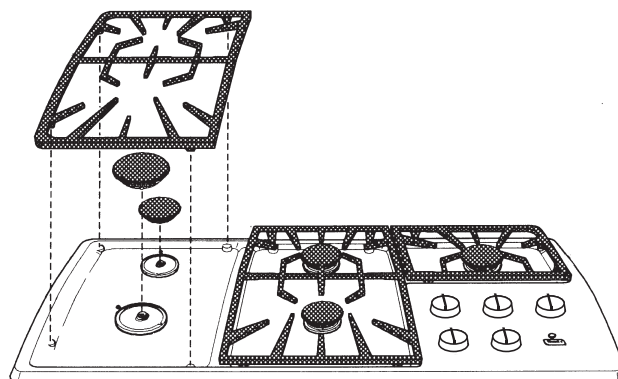
* Stir Occasionally

Care and Cleaning

Daily Cleaning Practices

The entire Cooktop can be safely cleaned by wiping with a soapy sponge, then rinsing and drying. If stubborn soil remains, follow the recommended cleaning methods below.

Figure 5 - Cleaning the Cooktop



36" Models



WARNING: To avoid electrical shock hazard: If cleaning under the cooktop is ever required, switch off main power before reaching inside.

- Always use the mildest cleaner that will do the job. Use clean, soft cloths, sponges or paper towels.
- Rub stainless steel finishes in the direction of the grain. Wipe area dry to avoid water marks.
- Before cleaning, be certain the burners are turned off and the grates are cool.
- Do not clean removable cooktop parts in any self-cleaning oven.
- After cleaning, place all parts in their proper positions before using cooktop.

Cleaning Guidelines

The cleaners recommended below and on the following page indicate a type and do not constitute an endorsement of a particular brand. Use all products according to package directions.

Table 4: Cooktop Cleaning Chart

Cooktop Part / Material	Suggested Cleaners	Important Reminders
Burner Base and Burner Cap, underside / Aluminum Alloy	<ul style="list-style-type: none"> • Detergent and hot water; rinse and dry. • Stiff nylon bristle tooth brush to clean port openings. • Abrasive Cleansers: Brillo® or S.O.S.® pads. Rinse and dry. 	<ul style="list-style-type: none"> • Do not soak burner caps. • Do not scratch or gouge port openings. • Clean ports with a wire or straightened paper clip. • Do not use a toothpick that may break off.
Burner Cap and exterior finish / Porcelain Enamel	<ul style="list-style-type: none"> • Hot sudsy water; rinse and dry thoroughly. • Nonabrasive Cleansers: Ammonia, Fantastic®, Formula 409®. • Mild Abrasive Cleansers: Bon Ami®, Ajax®, Comet®. • Liquid cleaners: Kleen King®, Soft Scrub • Stiff nylon bristle toothbrush to clean port openings. • Reassemble. Make sure the cap is seated on the base and aligns with the notch. 	<ul style="list-style-type: none"> • Acidic and sugar-laden spills deteriorate the porcelain enamel. Remove soil immediately. • Do not use wet sponge or towel on hot porcelain. • Do not soak burner caps. • Always apply minimal pressure with abrasive cleaners.
Control Knobs / Plastic	<ul style="list-style-type: none"> • Hot sudsy water; rinse and dry immediately. • To remove knobs, lift straight up. 	<ul style="list-style-type: none"> • Do not soak knobs. • Do not force knobs onto wrong shaft. • Do not use abrasive scrubbers or cleansers, such as Bon Ami®, Ajax®, or Comet®. They may permanently damage the finish or remove graphics.
Grommet / Rubber	<ul style="list-style-type: none"> • Hot sudsy water; rinse / dry immediately. • To remove grommet, gently push toward center and lift up. 	<ul style="list-style-type: none"> • Do not soak grommets. • Do not pull on grommet when removing or replacing.
Exterior Finish / Stainless Steel	<ul style="list-style-type: none"> • Nonabrasive Cleaners: Hot water and detergent, Fantastic®, Formula 409®. Rinse and dry immediately. • Cleaner Polish: Stainless Steel Magic® to protect the finish from staining and pitting; enhances appearance. • Hard water spots-household white vinegar. • Mild Abrasive Cleaners: Kleen King Stainless Steel liquid cleaner, Cameo Aluminum & Stainless Steel Cleaner, Bon Ami®. • Heat discoloration: Bar Keepers Friend®. 	<ul style="list-style-type: none"> • Stainless steel resists most food stains and pit marks providing the surface is kept clean and protected. • Never allow food stains or salt to remain on stainless steel for any length of time. • Rub lightly in the direction of polish lines. • Chlorine or chlorine compounds in some cleaners are corrosive to stainless steel. Check ingredients on label before using.

Table 4: Cooktop Cleaning Chart

Cooktop Part / Material	Suggested Cleaners	Important Reminders
Grates / Porcelain Enamel on Cast Iron	<ul style="list-style-type: none"> • Nonabrasive cleaners: Hot water and detergent, Fantastic, Formula 409. Rinse and dry immediately. • Mild abrasive cleaners: Bon Ami® and Soft Scrub®. • Abrasive cleaners for stubborn stains: soap-filled steel wool pad. 	<ul style="list-style-type: none"> • The grates are heavy; use care when lifting. Place on a protected surface. • Blisters/ crazing/ chips are common due to the extreme temperatures on grate fingers and rapid temperature changes. • Acidic and sugar-laden spills deteriorate the enamel. Remove soil immediately. • Abrasive cleaners, used too vigorously or too often can eventually mar the enamel.
Igniters / Ceramic	<ul style="list-style-type: none"> • Carefully wipe with cotton swab wet with water, ammonia or Formula 409® • Gently scrape soil off with a toothpick. 	<ul style="list-style-type: none"> • Avoid excess water on the igniter. A damp igniter will prevent burner from lighting. • Remove any remaining lint after cleaning.

Service

Before Calling for Service

- Make sure that the gas shut off valve is in the ON position and the gas supply to the house is not shut off.
- Make sure the burner caps are properly positioned and the burner ports are not clogged. Clear ports with a wire or straightened paper clip if clogged.
- Make sure the igniters are clean and dry.
- Make sure that there is no draft in the room.
- Check the power supply. It should be properly grounded with the correct polarity. Make sure the unit is plugged in and the circuit breaker is not tripped.
- When the electrical power connection has been activated at the first power up or reconnected after an outage, the igniters may spark once or twice even though all burner knobs are in the off position.

Data Plate

For handy reference, the serial tag information has been affixed to the back cover.

For Authorized Service or Parts

For authorized service or parts information, call the number or write to the address listed inside the back cover.

We want you to remain a satisfied customer. If a problem comes up that cannot be resolved to your satisfaction please let us know. Whether you write or call, please provide us with the Model Number, Serial Number and Date of Original Purchase or Installation.

Warranty

What Is Covered - Full One Year Warranty

For one year from the date of installation or date of occupancy for a new, previously unoccupied dwelling, any part which fails in normal home use will be repaired or replaced free of charge. Save your dated receipt or other evidence of the installation/occupancy date. Bosch will pay for all repair labor and replacement parts found to be defective due to materials and workmanship. Service must be provided by a Factory Authorized Service Agency during normal working hours. For a Service Agency nearest you, please phone 800/944-2904.

What Is Not Covered

1. Service by an unauthorized agency. Damage or repairs due to service by an unauthorized agency or the use of unauthorized parts.

2. Service visits to:
 - Teach you how to use the appliance.
 - Correct the installation. You are responsible for providing electrical wiring and/or gas installation and other connecting facilities.
 - Reset circuit breakers or replace home fuses.
3. Damage caused from accident, alteration, misuse, abuse, improper installation or installation not in accordance with local electrical codes or plumbing codes, or improper storage of the appliance.
4. Repairs due to other than normal home use.
5. Any service visits and labor costs during the limited warranty.
6. Travel fees and associated charges incurred when the product is installed in a location with limited or restricted access, (i.e., airplane flights, ferry charges, isolated geographic regions).

Warranty Application

This warranty applies to appliances used in residential application; it does not cover their use in commercial situations.

This warranty is for products purchased and retained in the 50 states of the U.S.A., the District of Columbia and Canada. The warranty applies even if you should move during the warranty period. Should the appliance be sold by the original purchaser during the warranty period, the new owner continues to be protected until the expiration date of the original purchasers warranty period.

Bosch does not assume any responsibility for incidental or consequential damages. Some states do not allow the exclusion or limitation of incidental or consequential damages, so the above limitation or exclusion may not apply to you. This warranty gives you specific legal rights and you may also have other rights which may vary from state to state or province to province.

Model Information

The model/rating plate, located on the bottom surface of the cooktop, shows the model number and serial number of your cooktop. This is information you will need if your cooktop should ever need service. Below you will find the rating plate.

As a handy reference, copy the information from the model/rating plate in space provided below. Also keep your invoice. The invoice as well as the information listed below will be required for warranty validation.

Table 5: Model Information

Model Number	
Serial Number	
Date of Purchase	
Dealer's Name	
Dealer's Phone	

Specifications are for planning purposes only. Refer to installation instructions and consult your countertop supplier prior to making counter opening. Consult with a heating and ventilating engineer for your specific ventilation requirements. For the most detailed information, refer to installation instructions accompanying product or write to BSH Home Appliances Corp. indicating model number.

We reserve the right to change specifications or design without notice. Some models are certified for use in Canada. BSH is not responsible for products which are transported from the United States for use in Canada. Check with your local Canadian distributor or dealer.

For the most up to date critical installation dimensions by fax, use your fax handset and call 775/833-3600. Use code #8317.

Table des matières

Instructions de sécurité importantes	1
Concernant la plaque de cuisson	3
Pièces et accessoires	3
Brûleurs scellés	4
Capuchons de brûleurs	4
Grilles de brûleurs	4
Boutons de contrôle de brûleurs	5
Utilisation de la plaque de cuisson	5
Avant la première utilisation	5
Fonctionnement	6
Fonctionnement normal (allumage/réallumage électronique)	6
Dans le cas d'une panne de courant	6
Caractéristiques de flamme typique	6
Pour tirer avantage de la plaque de cuisson	7
Techniques de cuisson (pour de meilleurs résultats)	7
Casseroles appropriées	7
Caractéristiques	7
Utilisation appropriée des casseroles	7
Tableau de cuisson	8
Entretien et nettoyage	9
Nettoyage quotidien	9
Directives de nettoyage	10
Service	11
Avant d'effectuer un appel de service	11
Plaque signalétique	11
Comment obtenir un service autorisé ou des pièces	11
Garantie	11
Ce qui est couvert – garantie complète d'un an	11
Ce qui n'est pas couvert	11
Application de la garantie	12
Information sur le modèle	12



INSTRUCTIONS DE SÉCURITÉ IMPORTANTES

LIRE ET CONSERVER CES INSTRUCTIONS

Instructions de sécurité importantes

AVERTISSEMENT : lire toutes les instructions avant d'utiliser cet appareil. Pour réduire le risque d'incendie, choc électrique ou blessures, observer ces précautions.

Sécurité générale

- Cet appareil est destiné à une utilisation domestique normale seulement. Voir la garantie. Pour toute question, communiquer avec le fabricant.
- Toujours avoir un détecteur de fumée fonctionnel près de la cuisine.
- Ne jamais utiliser pour chauffer ou réchauffer une pièce.
- Les enfants ne doivent pas être laissés seuls ou sans surveillance dans les endroits où l'appareil est utilisé. Ils ne doivent pas se tenir debout ni s'asseoir sur toute pièce de l'appareil.
- Lorsque les enfants sont assez âgés pour utiliser l'appareil, il faut leur montrer les pratiques sécuritaires.
- Ne pas ranger d'articles d'intérêt pour les enfants au-dessus ou à l'arrière de l'appareil.
- Ne pas ranger des matériaux inflammables dans ou près de l'appareil.
- Dans le cas où les vêtements prennent en feu, se laisser tomber et rouler immédiatement pour éteindre les flammes.
- Ne jamais laisser vêtements, tire-plats ou autres matériaux inflammables entrer en contact avec une grille ou un brûleur chaud. Ne pas laisser les casseroles chauffer à sec.
- Ne pas nettoyer l'appareil pendant qu'il est chaud. Certains nettoyants produisent des émanations nocives lorsque appliqués sur une surface chaude.
- Éteindre les flammes d'un feu autre que de graisse avec du bicarbonate de soude. Ne jamais utiliser de l'eau sur un feu de cuisson.
- Ne pas laisser aluminium, plastique, papier ou chiffon entrer en contact avec une grille ou un brûleur chaud. Ne pas laisser les casseroles chauffer à sec.
- Faire installer et mettre à la terre l'appareil par un technicien qualifié.
- Ne pas réparer ni remplacer toute pièce de l'appareil à moins de recommandations spécifiques dans ce guide. Tout service doit être effectué par un technicien qualifié.
- Ne pas utiliser d'aluminium pour doubler toute pièce de l'appareil.
- Si la plaque de cuisson est près d'une fenêtre, faire attention à ce que les rideaux ne volent pas au-dessus ou près des brûleurs ; ils peuvent prendre feu.
- En utilisant l'appareil, faire attention à ne pas toucher aux grilles ou à la zone environnante.
- Utiliser seulement des tire-plats secs ; humides ou mouillés sur une surface chaude, ils peuvent causer des brûlures par la vapeur.
- Ne jamais laisser l'appareil sans surveillance pendant l'utilisation. Les déversements causent de la fumée et la graisse peut s'enflammer.
- Toujours positionner les poignées vers l'intérieur de façon à ne pas dépasser au-dessus des brûleurs, bords et zones de cuisson.
- Porter des vêtements appropriés ; vêtements lâches ou manches pendantes ne doivent pas être portés pendant l'utilisation de l'appareil.
- Utiliser seulement certains types de verre, céramique vitrifiée à l'épreuve de la chaleur, céramique, faïence ou autres ustensiles vitrifiés appropriés pour la plaque de cuisson.
- Laisser le ventilateur de hotte fonctionner au moment de flamber des aliments.
- Éteindre les flammes d'un feu de graisse avec un couvercle hermétique, une plaque à biscuits ou autre plateau en métal, puis fermer le brûleur à gaz. Faire attention à ne pas se brûler. Si les flammes ne s'éteignent pas immédiatement, évacuer et téléphoner au service des incendies.
- Ne pas utiliser d'eau, incluant chiffon ou serviettes humides sur un feu de graisse. Il peut en résulter une violente explosion de vapeur.
- Ne jamais prendre une casserole en feu ; risque de brûlures.



AVERTISSEMENT : pour éviter tout risque de choc électrique, avant d'effectuer le service, mettre l'alimentation hors circuit au panneau de service et le verrouiller pour empêcher la mise en circuit accidentelle.

Extincteurs

Utiliser un extincteur seulement si :

- L'on possède un extincteur de classe ABC et que l'on sait s'en servir.
- Le feu est petit et contenu dans la zone où il a commencé.
- Le service des incendies a été appelé.
- L'on peut combattre le feu en ayant le dos vers la sortie.

Sécurité des appareils à gaz



AVERTISSEMENT : si l'information dans ce guide n'est pas suivie, il peut y avoir un risque d'incendie ou d'explosion pouvant causer des dommages à la propriété, des blessures ou la mort.

Ne pas ranger ni utiliser de matériaux combustibles, essence ou autres vapeurs ou liquides inflammables à proximité de cet appareil ou tout autre appareil.

• S'IL Y A UNE ODEUR DE GAZ :

- **Ne pas mettre l'appareil en circuit.**
- **Ne pas toucher aux interrupteurs électriques.**
- **Ne pas utiliser le téléphone dans l'édifice.**
- **Téléphoner immédiatement au fournisseur de gaz chez un voisin. Suivre les instructions.**
- **Si l'on ne peut rejoindre le fournisseur de gaz, téléphoner au service des incendies.**

L'installation et le service doivent être effectués par un installateur qualifié, un centre de service autorisé ou le fournisseur en gaz.

Sécurité de la plaque de cuisson

- Pendant la cuisson, régler le contrôle du brûleur afin que la flamme chauffe seulement le fond de la casserole et qu'elle ne dépasse pas le fond.
- Faire attention que les courants d'air comme ceux du ventilateur ou l'air forcé des événements ne poussent pas de matériaux inflammables vers les flammes ou la flamme hors des bords de la casserole.
- Faire installer et mettre à la terre l'appareil par un technicien qualifié. Demander où la soupape d'arrêt de gaz est installée.
- Pour un allumage et un rendement appropriés des brûleurs, garder les allumeurs propres et secs.
- Si un brûleur s'éteint et que du gaz s'échappe, ouvrir une fenêtre ou la porte. Attendre au moins 5 minutes avant d'utiliser la plaque de cuisson.
- Ne pas obstruer le débit de combustion et de ventilation d'air.

Proposition 65 de Californie



AVERTISSEMENT : le combustible de cuisson à gaz génère certains sous-produits qui figurent sur la liste de substances connues par l'état de la Californie comme pouvant causer le cancer ou des dommages au système de reproduction. Afin de minimiser l'exposition à ces substances, toujours actionner l'appareil selon les instructions contenues dans ce guide et assurer une bonne ventilation.

Concernant la plaque de cuisson

Pièces et accessoires

Figure 1 - Pièces

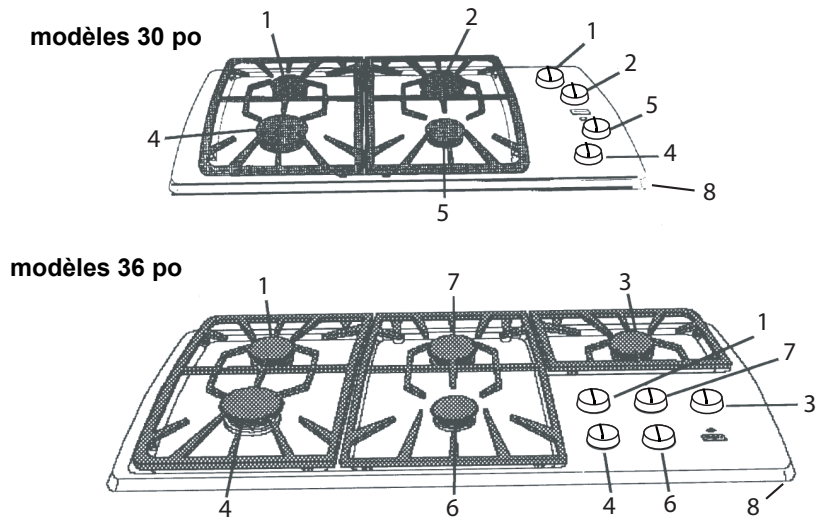


Tableau 1: Caractéristiques clés

#	Emplacement	Cote BTu
1	Arrière gauche	9,100
2	Arrière droit - 30"	11,000
3	Arrière droit - 36"	9,100
4	Devant gauche	12,500 - modèle NGT 15,000 - modèle NGP
5	Devant droit - 30", brûleur pour mijoter	6,500/950
6	Devant centre - 36", brûleur pour mijoter	6,500/950
7	Arrière centre - 36"	11,000
8	N° de série / plaque signalétique	

*Les chiffres 1 à 7 correspondent aussi à l'emplacement du bouton de contrôle pour le brûleur.

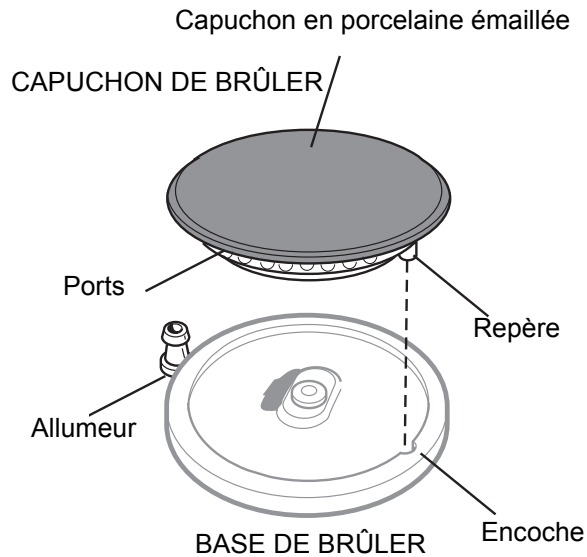
Brûleurs scellés

Ce nouvel appareil est doté de brûleurs à gaz scellés. Il n'y a pas de pièce de brûleur à nettoyer sous la plaque de cuisson, à démonter ou à régler. Il y a deux formats de capuchons de brûleur, grand et moyen. Faire correspondre la casserole au format du brûleur.

Capuchons de brûleur

Le capuchon du brûleur est en acier porcelaine. Sous le capuchon, il y a un repère qui doit s'ajuster dans l'encoche correspondante sur la base du brûleur. Si le capuchon est mal placé, le brûleur peut ne pas s'allumer ou la flamme peut ne pas brûler complètement ou mal brûler.

Figure 4 – capuchon de brûleur

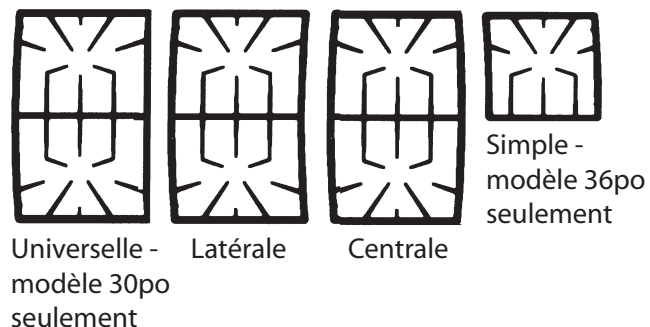


AVERTISSEMENT : pour éviter tout produit nocif, ne pas utiliser la plaque de cuisson sans les capuchons de brûleurs et les grilles positionnés adéquatement.

Grilles de brûleurs

La position de chaque grille double est étiquetée sous le rebord de la grille, comme illustré ci-dessous.

Figure 3 - Grilles de brûleurs



Les modèles 30 po (76 cm) sont dotés de deux grilles universelles. Positionner le côté droit au centre. Elles sont interchangeables en les tournant de 180°.

Les modèles 36 po (91cm) sont dotés d'une grille latérale, d'une grille centrale et d'une grille simple. Positionner les grilles comme illustré ci-dessus.

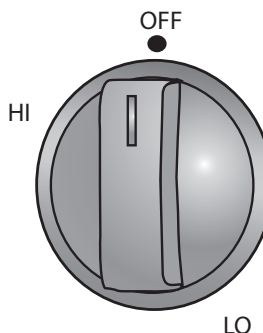


AVERTISSEMENT : pour éviter le flambage, ne pas utiliser la plaque de cuisson si les grilles ne sont pas positionnées adéquatement. Chacun des quatre pieds doit être placé dans l'encavure correspondante sur la plaque de cuisson. Ne pas utiliser une grille si le pied en caoutchouc est manquant ou endommagé.

Boutons de contrôle de brûleur

Les boutons standard ont un nombre infini de réglages de chaleur, sans position fixe.

Figure 4 – boutons de contrôle de brûleur



Pour actionner : sélectionner le bouton de contrôle approprié, pousser et tourner dans le sens contre horaire pour la flamme désirée. Mettre en position arrêt en tournant le bouton dans le sens horaire jusqu'à OFF.

Un oeillet en caoutchouc est situé sous chaque bouton de contrôle.

Pour enlever le bouton et l'oeillet : le brûleur en position arrêt, soulever délicatement le bouton et tirer. Tirer délicatement l'oeillet vers le centre et soulever.



AVERTISSEMENT : Pour éviter les chocs électriques, ne pas passer par l'ouverture dans la boîte brute.

Pour remettre l'oeillet et le bouton : remettre l'oeillet en plaçant la rainure centrale autour de la plaque de cuisson. Il doit être fermement fixé autour de l'ouverture. Placer le repère du bouton de contrôle à OFF, presser fermement.

Utilisation de la plaque de cuisson

Avant la première utilisation

- Retirer tout matériel d'emballage et documentation de la surface.
- Essuyer avec une éponge propre et humide, puis assécher.
- Il peut y avoir une légère odeur aux premières utilisations ; ceci est normal et disparaîtra.
- Des résultats optimaux dépendent des casseroles utilisées (voir Casseroles appropriées).
- Lire toutes les précautions et le guide d'utilisation et d'entretien avant d'utiliser

Fonctionnement

Fonctionnement normal (allumage/réallumage électronique)

La plaque de cuisson est dotée d'allumeurs électroniques pour allumer les brûleurs. Il n'y a pas de veilleuse. Chaque brûleur a son allumeur. Si la flamme s'éteint pendant l'utilisation, le brûleur se rallume automatiquement.



ATTENTION : Tous les allumeurs font une étincelle lorsqu'un brûleur est mis en circuit ou que le système de réallumage est activé. Ne pas toucher aux brûleurs pendant l'utilisation.

L'allumeur doit être propre et sec pour un fonctionnement adéquat.

- Éviter que l'eau et les aliments touchent à l'allumeur.
- Si l'allumeur est mouillé ou sale, il peut faire une étincelle sans allumer le brûleur ou faire des étincelles continues lorsqu'une flamme est présente.

REMARQUE : si le brûleur ne s'allume pas dans un délai de 4 secondes, le mettre hors circuit. Vérifier si le capuchon est bien positionné sur la base du brûleur et si l'allumeur est propre et sec. Si un brûleur ne s'allume toujours pas, voir Avant d'effectuer un appel de service.

En cas de panne de courant

Dans le cas d'une panne de courant, seuls les brûleurs standard peuvent être allumés à la main. Si l'appareil est utilisé pendant une panne de courant, régler les boutons de contrôle des brûleurs en position arrêt. Les brûleurs standard peuvent ensuite être allumés à la main à l'aide d'une allumette au port et en tournant le bouton de contrôle à HI. Attendre que la flamme brûle tout autour du brûleur avant de la régler à la hauteur désirée.



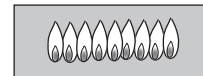
ATTENTION : la fonction réallumage ne peut être actionnée dans le cas d'une panne de courant.

Caractéristiques de flamme typiques

La flamme du brûleur devrait être de couleur bleue et stable sans pointe jaune, bruit excessif ou vacillement, elle doit être complètement autour du capuchon du brûleur.

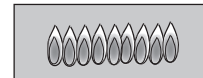
Flamme jaune :

Réglage requis nécessaire.



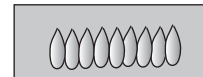
Pointes jaunes sur cône extérieur:

Normal pour gaz LP.



Flamme bleue:

Normal pour gaz naturel.



Si la flamme est complètement ou presque jaune, vérifier si le régulateur est réglé pour le gaz approprié. Après réglage, revérifier.

Quelques rayures jaunes sont normales pendant la mise en marche initiale. Laisser l'appareil fonctionner de 4 à 5 minutes, puis réévaluer avant de régler.

Des particules étrangères dans la canalisation de gaz peuvent causer une flamme orangée pendant l'utilisation initiale. Ceci devrait disparaître avec l'usage. Vérifier si les ports du capuchon de brûleur ne sont pas obstrués. Si tel est le cas, voir Avant d'effectuer un appel de service à la fin de ce guide.

REMARQUE : Il peut y avoir un pop lorsque le brûleur est mis hors circuit manuellement. Ce bruit peut être plus fort avec le gaz LP que le gaz naturel. Ceci est normal.

Pour tirer avantage de la plaque de cuisson

Techniques de cuisson (pour de meilleurs résultats)

- Amener l'aliment à ébullition, bien brasser pour que tout bouille, couvrir et réduire le réglage à XLO.
- Utiliser un couvercle pour garder une température de cuisson constante.
- Utiliser un réglage XLO plus élevé si la casserole n'est pas couverte.
- Vérifier occasionnellement les aliments pour voir si le bouton de contrôle doit être réglé plus haut ou plus bas.
- Si le réglage est trop bas pour mijoter, ramener à ébullition avant de régler plus haut.
- Il est normal de brasser occasionnellement les aliments.
- Les bulles peuvent ne pas être visibles lorsque la flamme est en cycle arrêt.
- Lorsque la flamme est en circuit, il peut y avoir des bulles.
- Il devrait y avoir de la vapeur et un léger frémissement à la surface du liquide qui mijote.
- Utiliser les casseroles appropriées (voir Casseroles appropriées ci-dessous).
- Centrer la casserole sur le brûleur avant de le mettre en circuit.
- Voir le tableau de cuisson pour des suggestions de réglages de flamme.

Casseroles appropriées

Caractéristiques des casseroles

- Les fonds en aluminium ou cuivre conduisent la chaleur uniformément.
- L'acier, si non combiné à d'autres métaux, peuvent cuire de façon non uniforme.
- La fonte absorbe la chaleur lentement et cuit plus uniformément à des réglages faibles à moyens.
- Des fonds plats lourds offrent une chaleur uniforme et de la stabilité.
- NE PAS UTILISER de casseroles minces, voilées, endommagées ; elles cuisent de façon non uniforme.

Utilisation appropriée des casseroles

Tableau 2:- Utilisation appropriée



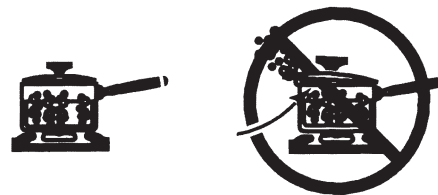
Pratique	
a) Faire correspondre le diamètre de la casserole à la flamme <ul style="list-style-type: none">• La flamme doit être de même format ou plus petite que le fond de la casserole. Ne pas utiliser de casserole plus petite à des réglages élevés car la flamme peut lécher les bords de la casserole.• Des casseroles qui s'étendent sur deux brûleurs sont placées de devant à derrière, et non d'un côté à l'autre.	
b) Casserole équilibrée <ul style="list-style-type: none">• Elle doit être de niveau sur la grille, et non balloter.• Centrer sur le brûleur.	

Tableau 2:– Utilisation appropriée

- c) Couvercle hermétique
- Aide à réduire le temps de cuisson.



Les casseroles qui s'étendent sur deux brûleurs comme gril, rôtissoire, etc. peuvent être utilisées lorsque placées de devant à l'arrière. Régler la flamme également pour une cuisson uniforme. Utiliser la grille accessoire Bosch sur la plaque de cuisson Bosch. Pour commander, téléphoner au numéro indiqué à la fin du guide.

Utiliser un wok à fond plat. Si l'on utilise un wok à fond rond, utiliser l'anneau à wok accessoire Bosch. Pour commander, téléphoner au numéro indiqué à la fin du guide.

Pour faire mijoter les ragoûts et soupes, ou fondre le chocolat, utiliser l'accessoire à mijoter Bosch. Cet accessoire distribue uniformément et doucement la chaleur. Il est fourni avec les modèles NGP seulement, mais est disponible pour NGT. Suivre les instructions d'utilisation et d'entretien fournies avec l'accessoire à mijoter.

Les ustensiles à conserve et les autocuiseurs doivent avoir les mêmes caractéristiques susmentionnées. Après avoir amené à ébullition, utiliser le réglage le plus bas possible pour maintenir le bouillonnement ou la pression (pour autocuiseurs, etc.).

Tableau de cuisson

Tableau 3: – Tableau de cuisson

Aliments	Commencer la cuisson	Poursuivre la cuisson/ brûleurs standard
PAINS Crêpes, sandwichs grillés, pain doré	Moy. – préchauffer la poêle.	Moy/bas à moy.
CÉRÉALES Semoule de maïs, gruau	HI – couvrir, amener l'eau à ébullition, ajouter les céréales.	Moy/bas à moy. – terminer la cuisson selon les directives sur l'emballage.
CHOCOLAT	LO pour fondre*.	Retirer lorsque fondu.
FRITURE	HI – chauffer l'huile .	Moy./HI à HI – garder la température.
OEUFS Frits, brouillés	Moy. à moy. HI – fondre le beurre, ajouter les oeufs.	LO à Moy. Lo – terminer la cuisson.
VIANDE, POISSON, VOLAILLE Bacon, saucisses, galettes	HI jusqu'à grésillement.	Moy. Lo à Moy. – pour terminer la cuisson.
Saisir des steaks Suisse, rôti à braiser	HI – fondre le gras, brunir à Moy. HI à HI, ajouter liquide, couvrir.	LO à Moy. Lo – couvrir, mijoter jusqu'à tendreté.
Poulet à frire	HI – fondre le gras, brunir à Moy.	LO – couvrir, terminer la cuisson.

Tableau 3: – Tableau de cuisson

Frيره : côtelettes d'agneau, steak mince, hamburger, saucisses	Moy HI à HI – préchauffer poêle.	Moy. à HI – brunir la viande.
Mijoter : ragoût de poulet, corned-beef, poisson poché	HI – couvrir, amener le liquide à ébullition.	LO à Moy. Lo
MAÏS À ÉCLATER	Moy à Moy. HI – couvrir, chauffer jusqu'à ce que les grains commencent à éclater.	Moy. à Moy. HI – terminer
AUTOUISEUR viande, légumes	Moy. HI à HI – accumuler pression.	Moy. Lo à Moy. – maintenir pression
RIZ	HI – couvrir, amener l'eau à ébullition, ajouter riz, couvrir.	LO à Moy. Lo – couvrir, cuire selon les directives sur l'emballage
SAUCES base de tomates	Moy. HI à HI – cuire viande/légumes, suivre la recette	LO à Moy. Lo
Crème blanche, bernaïse, Hollandaise	Lo à Moy. Lo – fondre le gras, suivre la recette	LO à Moy. Lo – terminer la cuisson
SOUPES, RAGOÛTS	HI – couvrir, amener liquide à ébullition.	LO à Moy. Lo – mijoter.
FAIRE SAUTER	HI – chauffer huile, ajouter légumes.	Moy. HI à HI – terminer la cuisson.
LÉGUMES frais	HI – couvrir, amener l'eau et légumes à ébullition.	Moy. Lo à Moy. – cuire 10 à 3 min. ou jusqu'à tendreté.

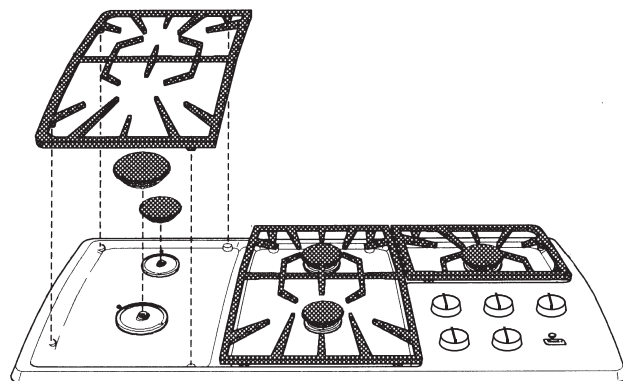
* Brasser occasionnellement

Entretien et nettoyage

Nettoyage quotidien

Toute la plaque de cuisson peut être nettoyée de façon sécuritaire avec une éponge savonneuse, rincer et assécher. S'il y a des taches tenaces, suivre les méthodes recommandées ci-dessous.

Figure 5 – nettoyage de la plaque de cuisson



Modèle 36po



AVERTISSEMENT : pour éviter tout risque de choc électrique, si le nettoyage sous la plaque de cuisson est nécessaire, fermer l'alimentation principale de l'appareil avant le nettoyage.

- Toujours utiliser le nettoyant le plus doux. Utiliser une éponge, chiffon ou essuie-tout propres et doux.
- Frotter le fini acier inoxydable dans le sens du grain. Essuyer pour éviter les marques d'eau.
- Avant le nettoyage, s'assurer que les brûleurs sont hors circuit et que les grilles sont froides.
- Ne pas nettoyer les pièces amovibles dans un four autonettoyant.
- Après le nettoyage, remettre les pièces en place avant d'utiliser la plaque de cuisson.

Directives de nettoyage

Les nettoyants recommandés ci-dessous et à la page suivante n'indiquent un type et ne constituent pas l'endossement d'une marque ne particulier. Utiliser les produits selon les directives sur l'emballage.

Table 4: tableau de nettoyage

Pièces et matériaux	Nettoyants suggérés	Rappels importants
Base et capuchon de brûleur, dessous / alliage aluminium	<ul style="list-style-type: none"> • Détergent et eau chaude, rincer et assécher. • Brosse à dents en nylon rigide pour les ports. • Tampon : Brillo® ou S.O.S.® Rincer et assécher. 	<ul style="list-style-type: none"> • Ne pas faire tremper les capuchons. • Ne pas égratigner ou abîmer les ouvertures des ports. • Nettoyer les ports avec un fil métallique ou un trombone. • Ne pas utiliser de cure-dents, ils peuvent se briser.
Capuchon et fini extérieur / porcelaine émaillée	<ul style="list-style-type: none"> • Eau savonneuse chaude, rincer et assécher immédiatement. • Nettoyants non abrasifs : ammoniaque, Fantastic®, Formula 409®. • Nettoyants : Bon Ami®, Ajax®, Comet®. • Nettoyants liquides : Kleen King®, Soft Scrub®. • Brosse à dents en nylon rigide pour les ports. • Réassembler. Bien positionner le capuchon sur la base et aligner avec l'encoche. 	<ul style="list-style-type: none"> • Dégâts acides et avec sucre détériorent la porcelaine émaillée. Nettoyer immédiatement. • Ne pas utiliser éponge ou chiffon sur la porcelaine chaude. • Ne pas faire tremper les capuchons. • Toujours appliquer une pression minimale avec nettoyant abrasif.
Bouton de contrôle / Plastique	<ul style="list-style-type: none"> • Eau savonneuse chaude, rincer et assécher immédiatement. • Tirer les boutons pour enlever. 	<ul style="list-style-type: none"> • Ne pas faire tremper boutons et plaques. • Ne pas forcer les boutons sur la mauvaise tige de soupape.
Oeillet / caoutchouc	<ul style="list-style-type: none"> • Eau chaude savonneuse, rincer et assécher immédiatement • Pour enlever l'oeillet, pousser délicatement vers le centre et soulever. 	<ul style="list-style-type: none"> • Ne pas faire tremper les oeillets. • Ne pas tirer sur l'oeillet pour le retirer ou le remplacer.
Fini extérieur / acier inoxydable	<ul style="list-style-type: none"> • Nettoyant non abrasifs : eau chaude et détergent, Fantastic®, Formula 409®. Rincer et assécher immédiatement. • Poli : Stainless Steel Magic® pour protéger des taches ; rehausse le fini. • Eau calcaire : vinaigre blanc. • Abrasifs doux : Kleen King Stainless Steel liquide, Cameo Aluminium & nettoyant pour acier inoxydable, Bon Ami®. • Décoloration : Bar Keepers Friend®. 	<ul style="list-style-type: none"> • L'acier inoxydable résiste à la plupart des taches et marques en autant que la surface est propre et protégée. • Ne jamais laisser les taches ou le sel sur l'acier inoxydable longtemps. • Frotter légèrement dans le sens du grain. • Le chlore ou ses composés sont corrosifs pour l'acier inoxydable. Vérifier les ingrédients sur l'étiquette avant usage.

Table 4: tableau de nettoyage

Grille / porcelaine émaillée sur fonte	<ul style="list-style-type: none">• Nettoyants non abrasifs : eau chaude et détergent, Fantastic®, Formula 409®. Rincer et assécher immédiatement.• Abrasifs doux : Bon Ami® et Soft Scrub®.• Abrasifs pour taches tenaces : tampons en laine d'acier avec savon.	<ul style="list-style-type: none">• Les grilles sont lourdes, faire attention en soulevant. Déposer sur une surface protégée.• Craquelures, éclats, etc. sont causés par des températures extrêmes et changeant rapidement.• Déversements acides ou avec sucre détériorent l'émail. Enlever les taches immédiatement.• Abrasifs utilisés trop forts ou souvent peuvent endommager l'émail.
Allumeurs / céramique	<ul style="list-style-type: none">• Essuyer délicatement avec un cure-oreilles humide ou Formula 409®.• Gratter délicatement avec un cure-dents.	<ul style="list-style-type: none">• Éviter l'excès d'eau sur l'allumeur, sinon n'allumera pas le brûleur.• Enlever toute charpie après le nettoyage.

Service

Avant d'effectuer un appel de service

- S'assurer que la soupape d'arrêt de gaz est ouverte et que l'alimentation en gaz à la résidence n'est pas fermée.
- S'assurer que les capuchons de brûleurs sont bien placés et que les ports ne sont pas obstrués. Nettoyer les ports avec un fil métallique ou un trombone, au besoin.
- S'assurer que les allumeurs sont propres et secs.
- S'assurer qu'il n'y a pas de courant d'air dans la pièce.
- Vérifier l'alimentation. Elle doit être mise à la terre adéquatement avec la polarité appropriée. S'assurer que l'appareil est branché et que le coupe-circuit n'est pas déclenché.
- Lorsque la connexion électrique est activée à la première mise en circuit ou rebranchée après une panne de courant, les allumeurs peuvent faire une étincelle ou deux même si les boutons de brûleurs sont en position arrêt.

Plaque signalétique

À des fins de références, l'information est apposée sur le couvercle arrière.

Comment obtenir un service autorisé ou des pièces

Pour un service autorisé ou de l'information sur les pièces, téléphoner ou écrire à l'adresse indiquée au verso de la page couverture.

Nous désirons la satisfaction du client. Si un problème survient et qu'il ne peut être résolu à la satisfaction du client, nous le laisser savoir. Que ce soit par écrit ou téléphone, indiquer les numéros de modèle et de série, la date d'achat d'origine ou d'installation.

Garantie

Ce qui est couvert - Garantie complète d'un an

Pendant un an à compter de la date d'installation/occupation pour une nouvelle résidence non précédemment occupée, toute pièce qui présente un défaut pendant une utilisation domestique normale sera réparée ou remplacée sans frais. Conserver la facture datée ou autre preuve de la date d'installation/occupation. Bosch paiera pour toute main-d'oeuvre et pièces de rechange présentant un défaut de fabrication ou de matériaux. Le service doit être effectué par un centre de service autorisé pendant les heures d'ouverture normales. Pour un centre de service, téléphoner au 800.944.2904.

Ce qui n'est pas couvert

1. Service par une agence non autorisée. Dommages ou réparations à cause d'un service par une agence non autorisée ou l'utilisation de pièces non autorisées.
2. Visites de service pour :
 - Montrer comment fonctionne l'appareil.
 - Correction de l'installation. Le consommateur est responsable du câblage électrique et/ou de l'installation du gaz et autres services utilitaires.
 - Remise du coupe-circuit ou remplacement des fusibles.
3. Dommages causés par accident, modification, mauvaise utilisation, abus, installation inadéquate, ou installation non conforme aux codes électriques locaux ou codes de plomberie, rangement inadéquat de l'appareil.
4. Réparations causées par un usage autre que l'utilisation domestique normale.
5. Toute visite de service et frais de main-d'oeuvre pendant la garantie limitée.
6. Frais de déplacement et autres associés encourus lorsque le produit est installé dans un endroit avec accès limité ou restreint (ex. : avion, frais de traversier, régions éloignées).

Application de la garantie

Cette garantie s'applique aux appareils utilisés dans une application résidentielle, elle ne couvre pas les situations commerciales.

Cette garantie s'applique aux produits achetés et gardés dans les 50 états des É.-U., district de Columbia et au Canada. Cette garantie s'applique même si l'utilisateur déménage pendant la période de garantie. Si cet appareil est vendu par l'acheteur d'origine pendant la période de garantie, le nouveau propriétaire continue à être couvert jusqu'à la date d'expiration de la période de garantie du propriétaire d'origine.

Bosch n'est pas responsable pour les dommages accessoires ou indirects. Certains états ne permettent pas l'exclusion ou la limitation des dommages accessoires ou indirects, par conséquent les limitations ou exclusions ci-dessus peuvent ne pas s'appliquer. Cette garantie donne des droits légaux spécifiques et il peut y en avoir d'autres qui varient d'un état à un autre ou d'une province à une autre.

Information sur le modèle

La plaque signalétique située sous la plaque de cuisson, indique les numéros de modèle et de série de la plaque de cuisson. Cette information est nécessaire si l'appareil requiert un service. Ci-dessous un exemple de la plaque signalétique.

À des fins de références, noter l'information figurant sur la plaque signalétique dans l'espace prévu à cette fin. Conserver également la facture ainsi que l'information ci-dessous qui seront demandées pour la validation de la garantie.

Tableau 5: Information sur le modèle

Numéro de modèle	
Numéro de série	
Date d'achat	
Nom du marchand	
Téléphone du marchand	

Les données techniques sont à des fins de planification seulement. Consulter les instructions d'installation et le fournisseur du plan de travail avant d'effectuer les découpes. Consulter un ingénieur en ventilation et chauffage concernant les exigences de ventilation spécifiques. Pour une information détaillée, consulter les instructions d'installation fournies avec le produit ou écrire à BSH Home Appliances, Corp. en indiquant le numéro de modèle.

Nous nous réservons le droit de changer les données techniques ou le design sans préavis. Certains modèles sont certifiés pour une utilisation au Canada. Bosch n'est pas responsable des produits transportés des É.-U. pour une utilisation au Canada. Vérifier auprès d'un distributeur ou marchand canadien.

Pour les dimensions d'installation à jour par télécopieur, utiliser le combiné du télécopieur et composer le 702.833.3600, code n° 8317.

Contenido

Instrucciones Importantes de Seguridad	1
Acerca de la parrilla	3
Partes y accesorios	3
Quemadores sellados	4
Tapas de los quemadores	4
Rejillas de los quemadores	4
Perillas de control de los quemadores	5
Usar la parrilla	5
Antes de usar la parrilla por primera vez	5
Operación	6
Operación normal (encendido/reencendido electrónico)	6
En el caso de una falla de luz	6
Características típicas de las llamas	6
Sacar el mayor provecho de su parrilla	7
Técnicas de cocinar (para lograr mejores resultados)	7
Utensilios apropiados de cocina	7
Características de los utensilios de cocina	7
Prácticas apropiadas de los utensilios de cocina	7
Tabla para cocinar	8
Cuidado y limpieza	9
Prácticas de limpieza diaria	9
Consejos de limpieza	10
Servicio	11
Antes de solicitar servicio	11
Placa con información	11
Cómo obtener servicio autorizado o refacciones	11
Garantía	11
Qué está cubierto - Garantía completa de un año	11
Qué no está cubierto	11
Aplicación de la garantía	12
Información del modelo	12



INSTRUCCIONES IMPORTANTES DE SEGURIDAD

LEA Y GUARDE ESTAS INSTRUCCIONES

Instrucciones Importantes de Seguridad

ADVERTENCIA: Lea todas las instrucciones antes de usar este aparato. Tome estas precauciones para evitar el riesgo de un fuego, una descarga eléctrica o de sufrir lesiones:

Seguridad General

- Este aparato está diseñado solamente para el uso casero normal. Vea la garantía. Contacte al fabricante si tiene alguna pregunta.
- Siempre tenga un detector de humo funcional cerca de la cocina.
- Nunca use la parrilla para calentar una habitación.
- Nunca se deben dejar solos a los niños en el área donde se usa el aparato. Nunca se les debe permitir sentarse o pararse sobre ninguna parte de la parrilla.
- Cuando los niños llegan a la edad para hacer uso de la parrilla, se les debe dar instrucciones sobre prácticas seguras.
- No almacene cosas de interés para los niños arriba de la parrilla o en la parte trasera de ésta.
- No guarde materiales inflamables arriba o cerca de la parrilla.
- En el caso de encenderse la ropa personal, échese al piso y dése vueltas de inmediato para extinguir las llamas.
- Nunca permita que la ropa, agarraderas u otros materiales inflamables tengan contacto con los quemadores o las rejillas calientes.
- No limpie la parrilla mientras que esté caliente. Algunos detergentes producen vapores nocivos cuando son aplicados a una superficie caliente.
- Apague las llamas de incendios alimenticios, que no son de grasa, con bicarbonato de sodio. Nunca use agua con incendios alimenticios.
- No permita el contacto de papel de aluminio, plástico, papel o tela con un quemador o una rejilla caliente. No permita que se sequen las ollas hirviendo.
- Un técnico calificado debe instalar la parrilla y conectarla a tierra.
- No repare o reemplace ninguna parte de la parrilla a menos que fue recomendado específicamente en este manual. Todo servicio demás debe ser realizado por un técnico calificado.
- No use papel de aluminio para forrar alguna parte de la parrilla.
- Si la parrilla está cerca de una ventana, asegúrese que las cortinas no cuelguen encima o cerca de los quemadores; se podrían encender.
- Cuando usa la parrilla: No toque las rejillas de los quemadores y el área alrededor de éstas.
- Use solamente guantes o agarraderas secas para las ollas; agarraderas húmedas sobre superficies calientes pueden causar quemaduras de vapor.
- Nunca deje la parrilla sin atención cuando cocine con alto calor. Los derrames causan humo y se puede encender la grasa derramada.
- Siempre posicione las agarraderas de ollas hacia dentro, de modo que no se extiendan sobre las áreas de trabajo cercanas, quemadores o el borde de la parrilla.
- Use ropa adecuada. Nunca debe usar ropa holgada o mangas que cuelgan flojas cuando cocina.
- Use solamente ciertos tipos de utensilios de vidrio, vidrio cerámico refractario, cerámica, barro u otros vidriados que están disponibles para el uso con la parrilla.
- Prenda el ventilador de la campana cuando flamee alimentos.
- Apague las llamas con una tapa ajustada, bandeja de horno u otra bandeja de metal, luego apague el quemador de gas. Tenga cuidado y evite quemaduras. Si las llamas no se apagan de inmediato, evacúe el lugar y llame a los bomberos.
- No use agua, incluyendo trapos o toallas húmedas con un incendio de grasa. Puede resultar una explosión violenta de vapor.
- Nunca levante una olla en llamas. Se puede quemar.



ADVERTENCIA: Para evitar una descarga eléctrica antes de dar servicio a la parrilla, apague la corriente en el panel de servicio y bloquee este panel para evitar que se prenda accidentalmente.

Extintores de fuego

Use un extinguidor de fuego solamente cuando:

- Usted sepa que tiene un extinguidor de fuego de la Clase ABC, y sabe cómo manejarlo.
- El incendio es pequeño y está contenido en el área donde comenzó.
- Se está llamando a los bomberos.
- Usted puede combatir el fuego con su espalda hacia la salida.

Seguridad para un aparato de gas



ADVERTENCIA: El hecho de no observar exactamente la información contenida en este manual, puede causar un fuego o explosión, dañar la propiedad o causar lesiones o la muerte.

No guarde o use materiales inflamables, gasolina u otros vapores y líquidos inflamables cerca de este o cualquier otro aparato.

• QUÉ HACER CUANDO HUELE A GAS:

- **No trate de encender ningún aparato.**
- **No toque ningún interruptor eléctrico.**
- **No use ningún teléfono en su edificio.**
- **Llame a su proveedor de gas de inmediato desde el teléfono de un vecino. Siga las instrucciones del proveedor.**
- **Si no puede contactar a su proveedor de gas, llame a los bomberos.**

Un instalador calificado, una agencia de servicio autorizada o el proveedor de gas debe realizar la instalación y el servicio.

Seguridad cuando cocina con gas

- Cuando cocine, ajuste el control del quemador de tal modo que la llama caliente solamente el fondo de la olla y que no se extienda más allá del fondo de la olla.
- Tenga cuidado que las corrientes de aire como de ventiladores o de ductos de aire no soplen materiales inflamables hacia las llamas o que provoquen que las llamas se extiendan más allá de los bordes de la olla.
- Un técnico calificado debe instalar y aterrizar la parrilla. Pídale al instalador que le muestre dónde está la válvula de cierre del gas.
- Mantenga los encendedores limpios y secos para un funcionamiento correcto de los quemadores
- En el caso que se apague un quemador y se escape el gas, abra una ventana o una puerta. Espere al menos 5 minutos antes de usar la parrilla.
- No obstruya el flujo de la combustión y del aire de ventilación.

Proposición 65 para el Estado de California



ADVERTENCIA: El combustible de gas para cocinar genera algunos derivados que están en la lista de sustancias conocidas por el Estado de California que causan cáncer o daños al sistema reproductivo. Para minimizar la exposición a estas sustancias, siempre utilice esta unidad de acuerdo a las instrucciones incluidas en este folleto y proporcione una buena ventilación.

Acerca de la parrilla

Partes y accesorios

Figura 1: Partes

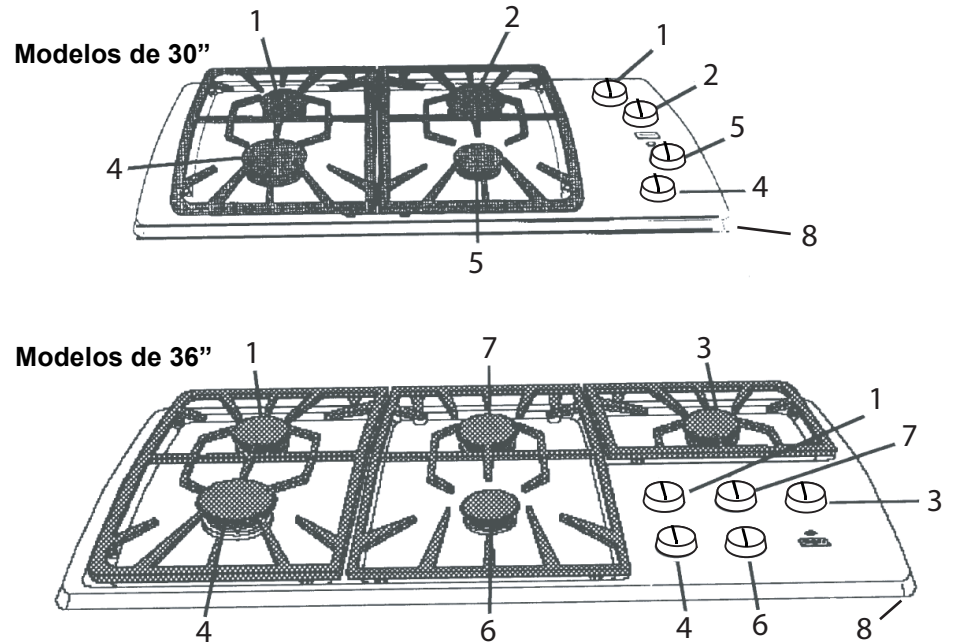


Tabla 1: Clave de características

#	Ubicación	Tasa de BTU
1	Izquierdo trasero	9,100
2	Derecho trasero - 30"	11,000
3	Derecho trasero - 36"	9,100
4	Izquierdo delantero	12,500 - Modelo NGT 15,000 - Modelo NGP
5	Derecho delantero - 30", Quemador para hervir a fuego lento	6,500/950
6	Central delantero - 36", Quemador para hervir a fuego lento	6,500/950
7	Central trasero - 36"	11,000
8	Placa con información/número de serie	

* Los números clave 1-7 corresponden también a la ubicación de la perilla de control para el quemador.

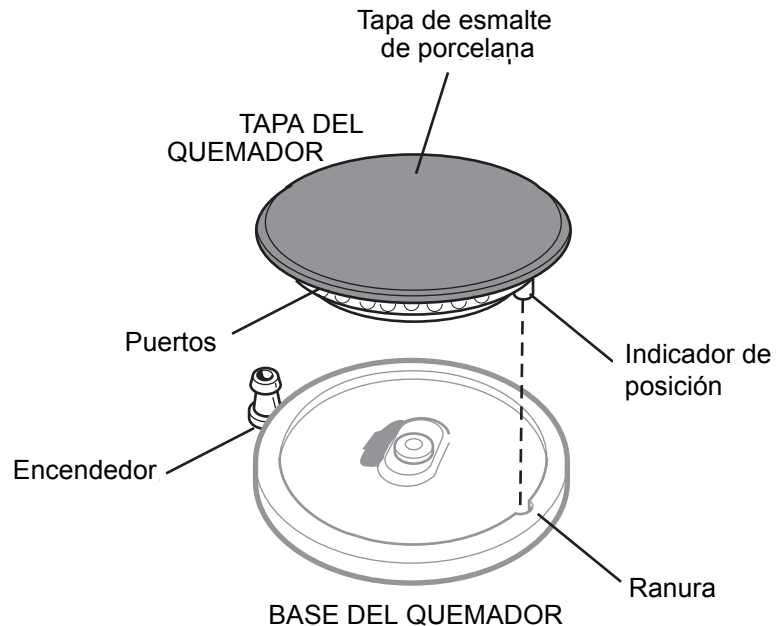
Quemadores sellados

Su nueva parrilla tiene quemadores sellados de gas. No hay partes de los quemadores abajo de la parrilla que se deben limpiar, desmontar o ajustar. Su parrilla tiene dos tamaños diferentes de quemadores: mediano y grande. Iguale la olla al tamaño de quemador.

Tapas de los quemadores

La tapa del quemador es de acero aporcelanado. En el lado inferior de la tapa hay un indicador de posición que debe encajar en la ranura correspondiente en la base del quemador. Si no se coloca bien la tapa del quemador, es posible que no se encienda el quemador o que la llama se quemee de un modo incompleto o incorrecto.

Figura 2 - Tapa de quemadore

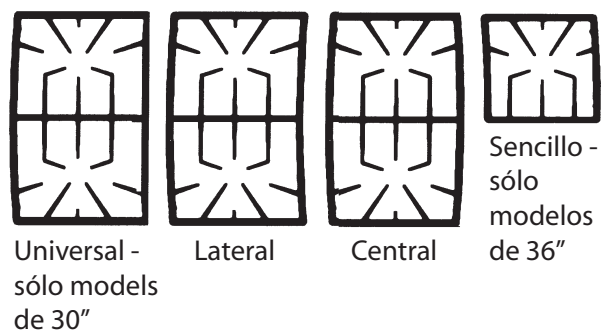


ADVERTENCIA: Para evitar destellos, no use la parrilla sin que todas las tapas de los quemadores y todas las rejillas estén posicionadas correctamente.

Rejillas de los quemadores

La posición de cada rejilla doble aparece en una etiqueta en el lado inferior del borde de la rejilla como se muestra en la figura abajo.

Figura 3 - Rejillas de los quemadores



Los modelos de 30" (76cm) tienen dos rejillas universales. Posicione el lado recto en el centro. Se pueden intercambiar las rejillas girándolas 180°.

Los modelos de 36" (91cm) tienen una rejilla lateral, una rejilla central y una rejilla sencilla. Posicione las rejillas en la parrilla como se muestra arriba.

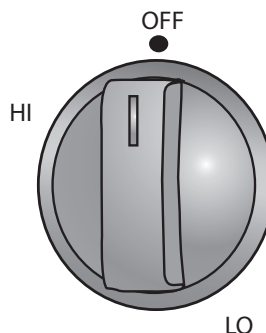


ADVERTENCIA: Para evitar destellos, se deben posicionar correctamente todas las rejillas sobre la parrilla cada vez que se usa la parrilla. Se deben insertar las cuatro patas en los hoyitos correspondientes en la parrilla. No use una rejilla si faltan las patas de hule o si están dañadas.

Perillas de control de los quemadores

Los controles estándar de los quemadores tienen una cantidad infinita de ajustes de calor sin posiciones fijas.

Figura 4- Perillas de control de los quemadores



Para operar: Seleccione la perilla de control apropiada, empujela y gírela en sentido contrario del reloj hasta obtener el tamaño de llama deseado. Apáguela girando la perilla de control en sentido del reloj a la posición de OFF (Apagado).

Abajo de cada perilla de control hay un anillo de hule.

Para quitar la perilla y el anillo: Con el quemador en el posición OFF, levante la perilla suavemente y quítela. Jale el anillo cuidadosamente hacia el centro y quítelo.



ADVERTENCIA: Para evitar una posible descarga eléctrica, no meta la mano a través de la abertura a la caja empotrada.

Para reemplazar el anillo y la perilla: Reemplace el anillo colocando la ranura central alrededor de la parrilla. Se debe fijar bien el anillo de hule alrededor de la abertura en la parrilla. Coloque la línea indicadora de la perilla de control en la posición OFF (Apagado) y oprima firmemente.

Usar la parrilla

Antes de usar la parrilla por primera vez

- Quite todo el material de empaque y la literatura de la superficie de la parrilla.
- Estando fría, límpie la parrilla con una esponja limpia, húmeda y séquela.
- Puede haber un ligero mal olor durante los primeros usos; esto es normal y desaparece con el tiempo.
- Resultados óptimos de cocinar dependen de seleccionar y usar los utensilios correctos. (Vea Utensilios apropiados de cocina)
- Lea todas las precauciones de seguridad y la información en el manual de uso y cuidado antes de operar la parrilla.

Operación

Operación normal (Encendido/Reencendido Electrónico)

La parrilla utiliza encendedores electrónicos para prender los quemadores. No hay un piloto. Cada quemador tiene su propio encendedor. Si se apaga una llama cuando se usa, el quemador se vuelve a encender automáticamente.



PRECAUCIÓN: Todos los encendedores echan chispas cuando se prende cualquiera de los quemadores o cuando se activa el sistema de reencendido. No toque ninguno de los quemadores cuando se usa la parrilla.

El encendedor debe estar limpio y seco para funcionar bien.

- Evite introducir agua o alimentos en el encendedor.
- Si el encendedor está mojado o sucio, puede echar chispas sin encender el quemador, o incluso puede echar chispas continuamente cuando hay una llama.

NOTA: Si el quemador no se enciende dentro de 4 segundos, apague el quemador. Revise si la tapa está posicionada correctamente sobre la base del quemador y que el encendedor está limpio y seco. Si un quemador sigue fallando, consulte la sección “Antes de solicitar servicio”.

En el caso de una falla de luz

En el caso de una falla de electricidad, se pueden encender manualmente sólo los quemadores estándar. Si se usa la parrilla durante una falla de luz, apague todas las perillas de control a la posición OFF (Apagado). Luego se pueden encender los quemadores estándar manualmente prendiendo un cerillo cerca de a los puertos y girando la perilla de control a la posición HI (Alta). Espere hasta que la llama envuelva todo el quemador antes de ajustarla a la altura deseada.



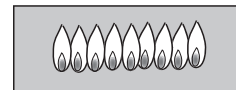
PRECAUCIÓN: La opción del reencendido no funcionará en el caso de una falla de luz.

Características típicas de las llamas

La llama del quemador debe ser azul y estable sin puntas amarillas, ruido o flameado excesivo. Debe quemar completamente alrededor de la tapa del quemador.

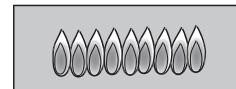
Llamas amarillas:

Se requiere más ajuste



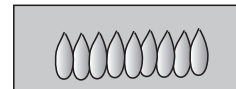
Puntas amarillas en conos exteriores:

Normal para gas LP.



Llamas azules suaves:

Normal para gas natural.



Si la llama está completamente o en su mayoría amarilla, debe verificar que el regulador esté configurado para el gas correcto. Tras el ajuste, vuelva a probar.

Ver algunas puntas de color amarillo es normal durante el arranque. Permita que la unidad opere 4-5 minutos y vuelva a evaluar antes de hacer ajustes.

Partículas ajenas en la línea de gas pueden causar una llama de color naranja durante el uso inicial. Esto debe desaparecer con el uso. Revise la tapa del quemador para estar seguro que los orificios de los puertos no estén tapados. Si los puertos están tapados, vea “Antes de solicitar servicio” en la contraportada.

NOTA: Se puede escuchar un sonido “pop” (estallido) cuando se apaga el quemador manualmente. Con gas LP este sonido puede ser más fuerte que con gas natural. Esto es normal.

Sacar el mayor provecho de su parrilla

Técnicas de cocinar (Para mejores resultados)

- Hierva los alimentos; revuélvelos bien para asegurar que todos los alimentos están hervidos, luego tape y reduzca el ajuste a la zona XLO.
- Use una tapa para mantener una temperatura más constante.
- Use un ajuste XLO más alto si la olla no tiene tapa.
- Revise los alimentos ocasionalmente para ver si se debe girar la perilla de control a un ajuste más bajo o más alto.
- Si la perilla de control está muy baja para seguir hirviendo a fuego lento, vuelva a hervir los alimentos antes de cambiar al ajuste (más alto).
- Es normal revolver los alimentos de vez en cuando.
- No se pueden ver burbujas de fuego lento cuando la llama se ha apagado.
- Con la llama encendida, puede haber burbujas.
- Debe haber al menos vapor y una ligera agitación en la superficie del líquido cuando cocina con fuego lento.
- Use utensilios apropiados. (Vea la sección "Utensilios apropiados" abajo)
- Centre la olla encima del quemador antes de prender el quemador.
- Consulte la tabla de cocinar abajo para los ajustes de llamas sugeridos.

Utensilios apropiados

Características de los utensilios de cocina

- Ollas de aluminio o cobre conducen el calor uniformemente.
- Ollas de acero, si no se combinan con otros metales, pueden cocinar poco uniformemente.
- Ollas de hierro fundido absorben el calor lentamente y cocinan uniformemente con un calor bajo a mediano.
- Ollas planas, pesadas con fondo proporcionan un calor uniforme y estabilidad.
- NO USE ollas delgadas, torcidas, dentadas o estriadas ya que no cocinan uniformemente.

Prácticas apropiadas de los utensilios de cocina

Tabla 2: Prácticas apropiadas de los utensilios de cocina



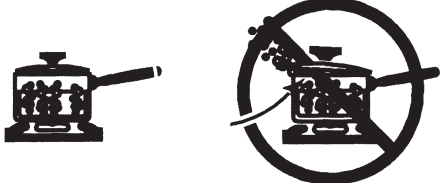
Práctica	
<p>a) Igualar el diámetro de la olla al tamaño de la llama</p> <ul style="list-style-type: none"> • La llama debe ser del mismo tamaño que el fondo de la olla o más pequeña. No use ollas pequeñas con llamas grandes ya que las llamas pueden subirse por los bordes de la olla. • Las ollas extra grandes que abarcan dos quemadores, son colocadas de frente hacia atrás, no de lado a lado. 	
<p>b) Usar ollas balanceadas</p> <ul style="list-style-type: none"> • Las ollas deben descansar completamente sobre la rejilla de la estufa sin mecerse. • Centre la olla sobre el quemador. 	

Tabla 2: Prácticas apropiadas de los utensilios de cocina

Práctica	
c) Usar una tapa bien ajustada <ul style="list-style-type: none"> • Una tapa bien ajustada ayuda a cortar el tiempo de cocinar. 	

Ollas que abarcan 2 quemadores, i.e. asadores, tostadores y sartenes para escalfar pescado, pueden utilizarse cuando se colocan de frente hacia atrás. Ajuste las llamas a una posición igual para cocinar uniformemente. Use el asador de accesorio de Bosch, en su parrilla de Bosch. Use el asador de accesorio de Bosch en su parrilla Bosch. Para pedirlo, llame al número listado en la contraportada Bosch.

Use un Wok con un fondo plano. Si usa un wok con fondo redondo, use el anillo de accesorio de soporte para wok de Bosch. Para pedirlo, llame al número listado en la contraportada Bosch.

Use el plato de Bosch que viene como accesorio para hervir estofados y sopas a fuego lento o para derretir chocolate. El plato para hervir a fuego lento distribuye el calor de un modo uniforme y suave. Se incluye el plato para hervir a fuego lento solamente con los modelos NGP, pero está disponible por separado para el modelo NGT. Siga las instrucciones de uso y cuidado que se incluyen con el plato para hervir a fuego lento.

Las ollas de presión y enlatadoras deben cumplir con los mismos requerimientos que se describen arriba. Después de hervir los contenidos, use el ajuste de calor más bajo posible para mantener el hervido o la presión (para las ollas de presión/enlatadoras).

Tabla de Cocinar

Tabla 3: Tabla de Cocinar

Alimento	Comenzar a cocinar	Seguir cocinando / Quemadores estándar
PANES Pan francés, Panqués, sándwich a la parrilla	Med. – precalentar sartén.	Med. Bajo a Med.
CEREALES Harina, Sémola, Avena	Alto – tapar, hervir agua, añadir cereal.	Med. Bajo a Med. – terminar de cocer según las indicaciones en el empaque.
CHOCOLATE	Bajo hasta derretir*.	Sacar cuando está derretido.
FREIR CON MUCHO ACEITE	Alto – calentar aceite	Med Alto a Alto - mantener la temperatura
HUEVOS Fritos, Revueltos	Med. a Med. Alto – derretir mantequilla, añadir huevo.	Bajo a Med. Bajo – terminar de cocinar.
CARNE, PESCADO, AVES Tocino, Salchichas	Alto hasta que la carne comienza a chisporrotear.	Med. Bajo a Med. – para terminar de cocinar.
Estofar: Filete suizo, Estofado	Alto – derretir grasa, dorar en Med. Alto a Alto, añadir líquido, tapar.	Bajo a Med. Bajo – tapar, hervir a fuego lento hasta quedar suave.
Freir: Pollo	Alto – derretir grasa, dorar en Med.	Bajo – tapar, terminar de cocinar.

Tabla 3: Tabla de Cocinar

Alimento	Comenzar a cocinar	Seguir cocinando / Quemadores estándar
Freir en sartén: Chuletas de cordero, filetes delgados, hamburguesas, salchicha	Med Alto a Alto – precalentar sartén.	Med. a Alto – dorar carne.
Hervir a fuego lento: Pollo estofado, Corned Beef, escalfar pescado	Alto – tapar, hervir el líquido.	Bajo a Med. Bajo
PALOMITAS	Med a Med. Alto – tapar, calentar hasta que los granos empiezan a reventar.	Med. a Med. Alto – terminar de reventar.
OLLA DE PRESIÓN Carne, Verduras	Med. Alto a Alto – aumentar la presión.	Med. Bajo a Med. – mantener la presión.
ARROZ	Alto – tapar, hervir agua, añadir arroz, tapar.	Bajo a Med. Bajo – tapar, cocer según las indicaciones en el empaque.
SALSAS En base a jitomate	Med. Alto a Alto – cocer carne/verduras, seguir la receta.	Bajo a Med. Bajo
Blanca, Crema, Bernesa, Holandesa	Bajo a Med. Bajo – derretir grasa, seguir la receta.	Bajo a Med. Bajo – terminar de cocinar.
SOPAS, ESTOFADOS	Alto – tapar, hervir el líquido.	Alto a Med. Alto – hervir a fuego lento.
FREIR EN POCO ACEITE	Alto – calentar aceite, añadir verduras.	Med. Alto a Alto – terminar de cocinar
VERDURAS Frescas	Alto – tapar, hervir el agua y las verduras.	Med. Bajo a Med. – cocer 10 a 30 minutos, o hasta quedar suave.

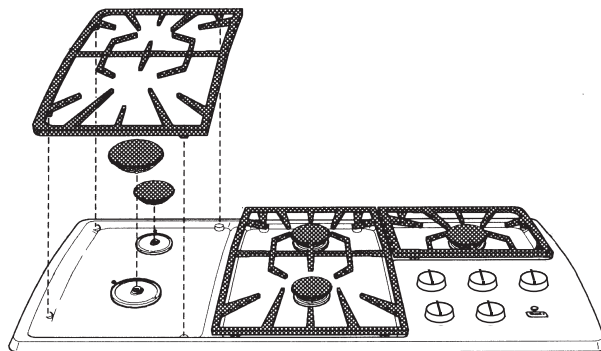
* Revolver ocasionalmente

Cuidado y limpieza

Prácticas de limpieza diaria

Se puede limpiar toda la parrilla de un modo seguro con una esponja jabonosa, luego enjuagar y secarla. Si queda suciedad persistente, siga los métodos de limpieza que se recomiendan abajo.

Figura 5 - Limpiar la parrilla



Modelos de 36"



ADVERTENCIA: Para evitar el riesgo de una descarga eléctrica: Si alguna vez es necesario limpiar por debajo de la parrilla, desconecte la corriente principal antes de meter la mano adentro.

- Siempre use el detergente más suave para el trabajo. Use trapos limpios, suaves, esponjas y toallas de papel.
- Talle los acabados de acero inoxidable en la dirección del grano. Seque el área para evitar manchas de agua.
- Antes de limpiar, asegúrese de apagar los quemadores y que las rejillas estén frías.
- No limpie partes removibles de la parrilla en algún horno de autolimpieza.
- Tras la limpieza, ponga todas las partes en sus posiciones apropiadas antes de usar la parrilla.

Consejos de limpieza

Los detergentes listados abajo indican tipos de productos y no representan alguna promoción de una marca en particular. Use todos los productos de acuerdo a las indicaciones en sus empaques.

Tabla 4: Tabla de limpieza de la parrilla

Parte / Material de la Parrilla	Detergentes sugeridos	Recordatorios importantes
Base del quemador y tapa del quemador, parte inferior / Aleación de Aluminio	<ul style="list-style-type: none"> • Detergente y agua caliente; enjuagar y secar. • Cepillo de dientes duro de cerda de nylon para limpiar las aberturas de los puertos. • Limpiadores abrasivos: Esponjillas Brillo® o S.O.S.®. Enjuagar y secar. 	<ul style="list-style-type: none"> • No remoje las tapas de los quemadores. • No debe rayar o agrandar las aberturas del puerto. • Limpie los puertos con un alambre o un clip enderezado. • No utilice un palillo que se puede romper.
Tapa del quemador y acabado exterior / Esmalte de Porcelana	<ul style="list-style-type: none"> • Agua jabonosa caliente; enjuagar y secar cuidadosamente. • Limpiadores no abrasivos: Amoniaco, Fantastic®, Formula 409®. • Limpiadores poco abrasivos: Bon Ami®, Ajax®, Comet®. • Limpiadores líquidos: Kleen King®, Soft Scrub®. • Cepillo de dientes duro de cerda de nylon para limpiar las aberturas de los puertos. • Reensamblar. Asegurarse que la tapa quede sentada sobre la base y alineada con la ranura. 	<ul style="list-style-type: none"> • Derrames con ácido y azúcar deterioran el esmalte de porcelana. Quite la suciedad de inmediato. • No use una esponja o toalla húmeda con porcelana caliente. • No remoje las tapas de los quemadores. • Siempre aplique una mínima presión con limpiadores abrasivos.
Perillas de control / Plástico	<ul style="list-style-type: none"> • Agua jabonosa caliente; enjuagar y secar de inmediato. • Para quitar las perillas, levántelas. 	<ul style="list-style-type: none"> • No remoje las perillas o los anillos. • No fuerce las perillas sobre el eje de la válvula equivocada.
Anillo / Hule	<ul style="list-style-type: none"> • Agua jabonosa caliente; enjuagar y secar de inmediato. • Para quitar el anillo, empuje suavemente hacia el centro y levántelo. 	<ul style="list-style-type: none"> • No remoje los anillos. • No jale el anillo cuando lo quita o reemplaza.
Acabado exterior / Acero inoxidable	<ul style="list-style-type: none"> • Limpiadores no abrasivos: Agua caliente y detergente, Fantastic®, Formula 409®. Enjuagar y secar de inmediato. • Limpiador para sacar brillo: Stainless Steel Magic® para proteger el acabado de manchas y picaduras; mejora la apariencia. • Manchas de agua dura: Vinagre blanco casero. • Limpiadores poco abrasivos: Limpiador líquido Kleen King Stainless Steel, Limpiador Cameo para Aluminio y Acero Inoxidable, Bon Ami®. • Decoloración térmica: Bar Keepers Friend®. 	<ul style="list-style-type: none"> • El acero inoxidable resiste la mayoría de las manchas alimenticias y picaduras siempre y cuando la superficie queda limpia y está protegida. • Nunca permita que manchas de alimentos o sal permanezcan sobre el acero inoxidable por algún período prolongado de tiempo. • Talle ligeramente en la dirección de las líneas de pulido. • El cloro o compuestos de cloro en algunos limpiadores son corrosivos para el acero inoxidable. Revise los ingredientes en la etiqueta antes de usarlos.

Tabla 4: Tabla de limpieza de la parrilla

Parte / Material de la Parrilla	Detergentes sugeridos	Recordatorios importantes
Rejillas / Esmalte de porcelana sobre hierro fundido	<ul style="list-style-type: none"> • Limpiadores no abrasivos: Agua caliente y detergente, Fantastic®, Formula 409®. Enjuagar y secar de inmediato. • Limpiadores poco abrasivos: Bon Ami® y Soft Scrub®. • Limpiadores abrasivos para suciedades persistentes: esponjillas de fibra metálica con jabón. 	<ul style="list-style-type: none"> • Las rejillas son pesadas; tenga cuidado cuando las levanta. Colóque-las sobre una superficie protegida. • Ampollas / grietas / astillas son comunes debido a las temperaturas extremas en los dedos de las rejillas y los cambios rápidos de temperatura • Derrames con ácido y azúcar deterioran el esmalte de porcelana. Quite la suciedad de inmediato. • Los limpiadores abrasivos, utilizados demasiado o con mucha fuerza pueden dañar el esmalte con el tiempo.
Encendedores / Cerámica	<ul style="list-style-type: none"> • Limpie cuidadosamente con un hisopo de algodón humedecido con agua, amoníaco o Formula 409®. • Quite la suciedad raspándola suavemente con un palillo. 	<ul style="list-style-type: none"> • Evite agua excesiva en los encendedores. Un encendedor húmedo hace que no se encienda el quemador. • Quite cualquier pelusa que puede permanecer tras la limpieza.

Servicio

Antes de solicitar servicio

- Asegúrese que la válvula de cierre de gas está en la posición ON (Abierta) y que no se haya cerrado el suministro de gas a la casa.
- Asegúrese que las tapas de los quemadores están posicionadas correctamente y que los puertos no están tapados. Limpie los puertos con un alambre o un clip enderezado si están tapados.
- Asegúrese que los encendedores están limpios y secos.
- Asegúrese que no hay corrientes de aire en el cuarto.
- Revise la fuente de alimentación. Debe estar conectada a tierra con la polaridad correcta. Asegúrese que la parrilla está enchufada y que el interruptor de circuito no está activado.
- Cuando se activa la conexión de alimentación eléctrica durante el arranque inicial o cuando se vuelve a conectar tras una falla de electricidad, los encendedores pueden echar chispas una o dos veces aún cuando todas las perillas de los quemadores están en la posición de apagado.

Placa con información

La etiqueta con la información del número de serie ha sido fijada en la contraportada.

Cómo obtener servicio autorizado o refacciones

Para información sobre servicio autorizado o refacciones, llame al número o escriba a la dirección listada dentro de la contraportada.

Queremos que usted quede satisfecho con su producto. Si ocurre algún problema que no se puede resolver a su entera satisfacción, por favor, déjenoslo saber. Cuando nos escriba o llame, por favor incluya el número de modelo, número de serie y la fecha de la compra original o de la instalación.

Garantía

Qué está cubierto - Garantía completa de un año

Por un año a partir de la fecha de instalación, o la fecha de ocupación para una vivienda nueva, previamente no ocupada, se va a reparar o reemplazar cualquier parte que falle durante el uso doméstico normal sin costo alguno. Guarde su recibo fechado u otra evidencia de la fecha de instalación/ocupación. Bosch pagará la reparación, mano de obra y partes de repuesto que resulten defectuosas debido al material y la fabricación. El servicio debe ser proporcionado por una agencia de servicio autorizada por la fábrica durante un

horario laboral normal. Para información sobre una agencia de servicio cerca de usted, por favor llame al 800/944-2904.

Qué no está cubierto

1. Servicio por una agencia no autorizada. Daños o reparaciones debido al servicio por una agencia no autorizada o el uso de partes no autorizadas.
2. Visitas de servicio para:
 - Enseñarle cómo usar el aparato.
 - Corregir la instalación. Usted es responsable de la instalación eléctrica y/o de gas y de proporcionar las conexiones necesarias.
 - Resetear interruptores de circuitos o reemplazar fusibles.
3. Daños que resultan de accidentes, la alteración, mal uso, abuso, instalación incorrecta o instalación que no está de acuerdo con los códigos eléctricos locales o los códigos de fontanería, o el almacenamiento no apropiado del aparato.
4. Reparaciones debido a un uso diferente al doméstico.
5. Cualquier visita de servicio o gasto de mano de obra durante la garantía limitada.
6. Gastos de viáticos y otros gastos asociados que se generan cuando el producto es instalado en un lugar con acceso limitado o restringido, (i.e., vuelos, tarifas de transbordadores, regiones geográficas aisladas).

Aplicación de la garantía

Esta garantía aplica a aparatos utilizados en casas familiares normales; no cubre el uso en situaciones comerciales.

Esta garantía es para productos comprados e instalados en los 50 estados de los E.U.A, el Distrito de Columbia y Canadá. La garantía aplica aún cuando usted decide cambiarse de domicilio durante el período de la garantía. En caso que el comprador original decide vender el aparato durante el período de garantía, el nuevo propietario continúa estando protegido hasta la fecha de vencimiento del período de garantía del comprador original.

Bosch no se hace responsable de daños incidentales o consecuenciales. Algunos estados no permiten excluir o limitar los daños incidentales o consecuenciales, así que la limitación o exclusión de arriba tal vez no aplica para usted. Esta garantía le brinda derechos legales específicos y usted puede tener además otros derechos que varían de estado a estado o de provincia a provincia.

Información del modelo

La placa de información/modelo, ubicada en la superficie inferior de la parrilla, indica el número de modelo y el número de serie de su parrilla. Usted necesitará esta información si su parrilla alguna vez requiere de servicio. Abajo encontrará la placa con información.

Copie la información de la placa de información/modelo en el espacio proporcionado abajo para tenerla a la mano. También guarde su factura. Se requiere la factura así como la información listada abajo para validar la garantía.

Tabla 5: Información del modelo

Número de modelo	
Número de serie	
Fecha de compra	
Nombre de distribuidor	
Teléfono del distribuidor	

Las especificaciones son exclusivamente para propósitos de planeación. Consulte las instrucciones de instalación y a su proveedor de cubiertas antes de hacer los recortes en la cubierta. Consulte a un ingeniero de calefacción y ventilación para determinar sus requerimientos específicos de ventilación. Para la información más detallada, consulte las instrucciones de instalación que se incluyen con el producto o escriba a BSH Home Appliances, Corp. indicando el número de modelo.

Nos reservamos el derecho de modificar las especificaciones o el diseño sin previo aviso. Algunos modelos están certificados para ser usados en Canadá. Bosch no es responsable de productos que son transportados desde los Estados Unidos para ser utilizados en Canadá. Consulte a su distribuidor local en Canadá.

Para recibir las dimensiones actualizadas más críticas por fax, use su fax y llame al 702/833-3600. Use el código #8317.

BOSCH

YOUR LIFE. OUR INSPIRATION

5551 McFadden Avenue, Huntington Beach, CA 92649 • 800/944-2904 • www.boschappliances.com
• 9000065786 (ECO# 5V03NQ) • 10036 Rev A • 04/05 © BSH Home Appliances Corporation 2005 • Litho in USA

Free Manuals Download Website

<http://myh66.com>

<http://usermanuals.us>

<http://www.somanuals.com>

<http://www.4manuals.cc>

<http://www.manual-lib.com>

<http://www.404manual.com>

<http://www.luxmanual.com>

<http://aubethermostatmanual.com>

Golf course search by state

<http://golfingnear.com>

Email search by domain

<http://emailbydomain.com>

Auto manuals search

<http://auto.somanuals.com>

TV manuals search

<http://tv.somanuals.com>