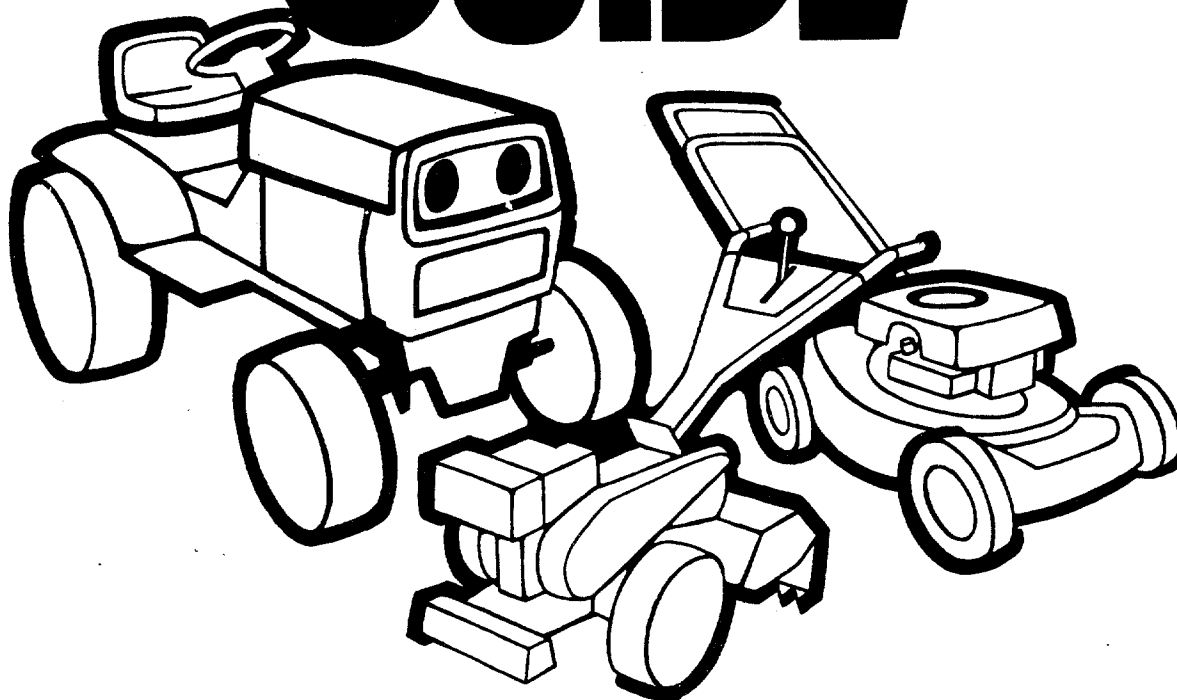


\$1.00

OWNER'S GUIDE



**28" TILLER
ATTACHMENT**

**Model Numbers
190-746-000
19746
TMO-33603B**

IMPORTANT: Read Safety Rules and Instructions Carefully


Thank you for purchasing an American-built product.

FORM NO. 770-5307D

IMPORTANT

RULES FOR SAFE OPERATION



THIS SYMBOL POINTS OUT IMPORTANT SAFETY INSTRUCTIONS WHICH, IF NOT FOLLOWED, COULD ENDANGER THE PERSONAL SAFETY AND/OR PROPERTY OF YOURSELF AND OTHERS. READ AND FOLLOW ALL INSTRUCTIONS IN THIS MANUAL BEFORE ATTEMPTING TO OPERATE YOUR UNIT. FAILURE TO COMPLY WITH THESE INSTRUCTIONS MAY RESULT IN PERSONAL INJURY. WHEN YOU SEE THIS SYMBOL—  **HEED ITS WARNING.**



DANGER

Your unit was built to be operated according to the rules for safe operation in this manual. As with any type of power equipment, carelessness or error on the part of the operator can result in serious injury. If you violate any of these rules, you may cause serious injury to yourself or others.

1. READ THE OWNER'S MANUAL carefully in its entirety before attempting to assemble or operate this unit. Keep this manual in a safe place for future and regular reference and for ordering replacement parts.
2. This unit is a precision piece of power equipment not a plaything. Therefore exercise extreme caution at all times.
3. Know the controls and how to stop the machine quickly.
4. Do not allow children to operate vehicle. Do not allow adults to operate it without proper instruction. Only persons well acquainted with these rules of safe operation should be allowed to use your tiller attachment.
5. Wear sturdy, rough-soled work shoes and close-fitting slacks and shirts to avoid entanglement in the moving parts. Never operate a unit in bare feet, sandals, or sneakers.
6. To prevent injury, do not carry passengers or give rides. Keep children, pets and bystanders out of the area while tilling. Only the operator should ride on the unit and only ride in the seat.
7. Check overhead clearance carefully before driving under power lines, guy wires, bridges or low hanging tree branches, before entering or leaving buildings, or in any other situation where the operator may be struck or pulled from the unit, which could result in serious injury.
8. To maintain control of the unit and reduce the possibility of upset or collision, operate the tractor smoothly. Avoid erratic operation and excessive speed.
9. Keep the area of operation clear of all persons, particularly small children and pets. Stop engine when they are in the vicinity of your unit. Although the area of operation should be completely cleared of foreign objects, a small object may have been overlooked and could be accidentally thrown by the tiller in any direction and cause injury to you or a bystander.
10. Stop the blade(s) when crossing gravel drives, walks or roads.
11. Disengage all attachment clutches and shift into neutral before attempting to start engine.
12. Disengage power to attachment(s) and stop engine before leaving operating position.
13. Do not put hands or feet near or under rotating parts. Keep clear of the tiller at all times as the rotating tines can cause injury.
14. Disengage power to attachment(s) and stop engine before making any repairs or adjustments. Disconnect the spark plug wire and keep the wire from the plug to prevent accidental starting.
15. Before attempting to remove rocks, bricks and other objects from tines, stop the engine and be sure the tines have stopped completely. The tines may continue to rotate for a few seconds after the engine is shut off. Therefore, be sure the tines have stopped completely. Disconnect the spark plug wire and keep the wire away from the plug to prevent accidental starting.
16. Disengage power to attachment(s) when transporting or not in use.
17. Take all possible precautions when leaving vehicle unattended such as disengaging power take-off, lowering attachments, shifting into neutral, setting parking brake, stopping engine and removing key.
18. Do not stop or start suddenly when going uphill or downhill till up and down face of steep slopes; never across the face. Use extreme caution if it is necessary to drive the tractor up an incline or back the tractor down an incline because the front of the tractor could lift and rapidly flip over backward which could cause serious injury.
19. Reduce speed on slopes and in sharp turns to prevent tipping or loss of control. Always keep the tractor in gear when going down steep hills to take advantage of engine braking action.
20. Stay alert for holes in terrain and other hidden hazards which may cause the unit to tip over.
21. Use care when pulling loads or using heavy equipment.
 - A. Use only approved drawbar hitch points.
 - B. Limit loads to those you can safely control.
 - C. Do not turn sharply. Use care when backing.
 - D. Use counterweight(s) or wheel weights when suggested in owner's manual.
22. Watch out for traffic when crossing or near roadways.
23. When using any attachments, never direct discharge of material toward bystanders nor allow anyone near vehicle while in operation.
24. Handle gasoline with care. It is highly flammable.
 - A. Use approved gasoline container.
 - B. Never remove cap or add gasoline to a running or hot engine or fill fuel tank indoors. Wipe up spilled gasoline.
 - C. Open doors if engine is run in garage. Exhaust fumes are dangerous. Do not run engine indoors.

Rules for Safe Operation (continued)

25. Keep the vehicle and attachments in good operating condition, and keep safety devices in place. Use guards as instructed in operator's manual.
26. Keep all nuts, bolts, and screws tight to be sure the equipment is in safe working condition.
27. Never store the machine with fuel in the fuel tank inside a building where ignition sources are present, such as hot water and space heaters, clothes dryers, and the like. Allow the engine to cool before storing in any enclosure.
28. To reduce fire hazard, keep engine free of grass, leaves or excessive grease.
29. The vehicle and attachments should be stopped and inspected for damage after striking a foreign object. The damage should be repaired before restarting and operating the equipment.
30. Do not change the engine governor settings or overspeed the engine.
31. When using the vehicle with tiller, proceed as follows:
 - (1) Till only in daylight or in good artificial light.
 - (2) Never make any adjustments while engine is running if operator must dismount to do so.
 - (3) Use caution when tilling near buildings and fences. Rotating tines can cause damage or injury.
 - (4) Check the tine mounting bolts at frequent intervals for proper tightness.
32. Look behind to make sure the area is clear before placing the transmission in reverse and continue looking behind while backing up. Disengage tiller before shifting into reverse and backing up.
33. This unit should not be driven up a ramp onto a trailer or truck under power, because the unit could tip over, causing serious personal injury. The unit must be pushed manually to load properly.

ASSEMBLY INSTRUCTIONS

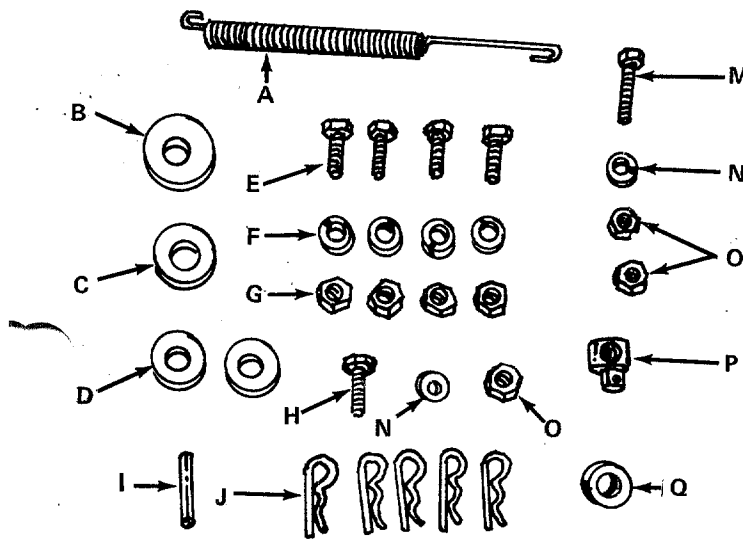


FIGURE 1



Right and left hand side of the unit is determined from the driver's seat, facing forward.

Contents of Hardware Pack (See figure 1):

- A (1) Extension Spring
- B (1) Flat Washer 1/2" I.D. x 1-1/2" O.D.
- C (1) Flat Washer 5/8" I.D. x 1-1/4" O.D.
- D (2) Flat Washers 1/2" I.D. x 1" O.D.
- E (4) Hex Bolts 3/8-24 x 7/8" Long
- F (4) Lock Washers 3/8" I.D.
- G (4) Hex Nuts 3/8-24 Thread
- H (1) Hex Bolt 5/16-24 x 1" Long
- I (1) Spiral Pin
- J (5) Hairpin Cotters
- K (4) Extension Springs (Not Shown)
- M (1) Hex Bolt 5/16-24 x 1-1/2" Long
- N (2) Lock Washers 5/16" I.D.
- O (3) Hex Nuts 5/16-24 Thread
- P (1) Ferrule
- Q (1) Spacer 1/2" I.D. x 1" O.D. x 1/2" Long

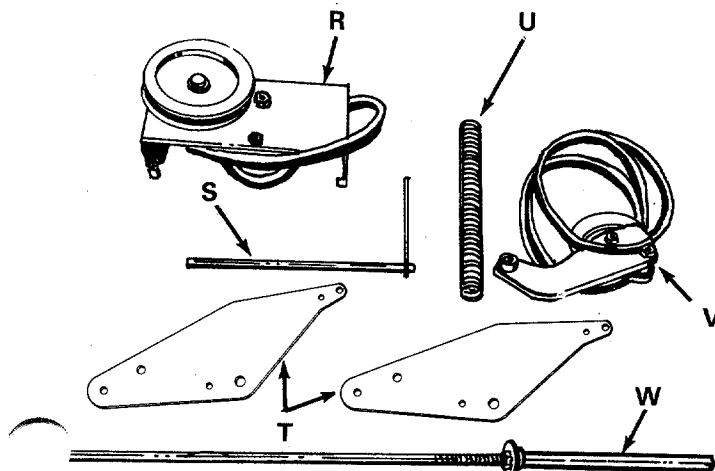


FIGURE 2

Loose Parts in Carton (See figure 2):

- R (1) Carriage Bracket Assembly
- S (1) Idler Bracket Support Arm Assembly
- T (2) Support Pivot Brackets
- U (1) Compression Spring
- V (1) Idler Bracket Assembly
- W (1) Lift Rod Assembly

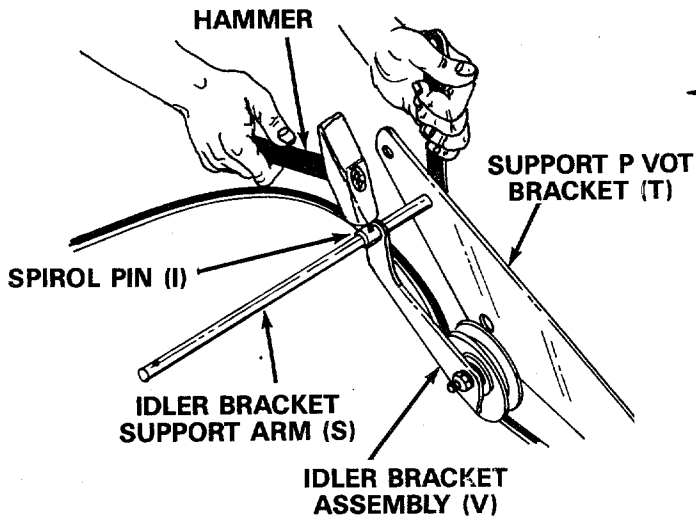
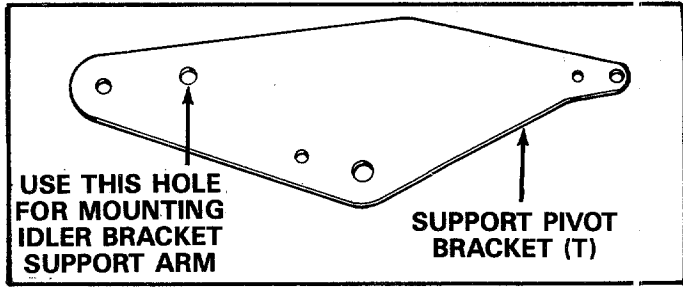


FIGURE 3

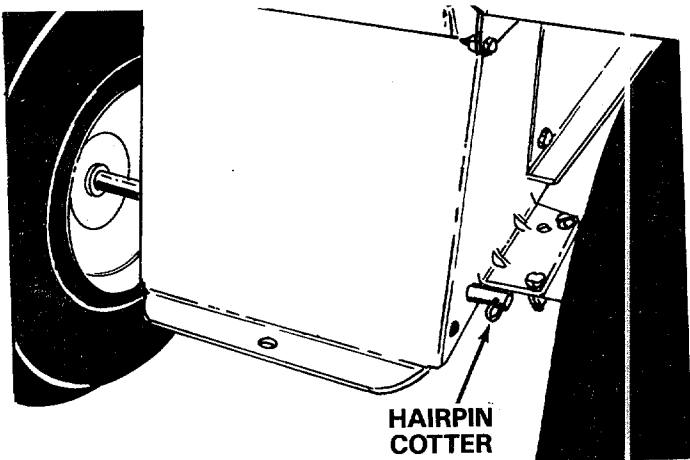


FIGURE 4

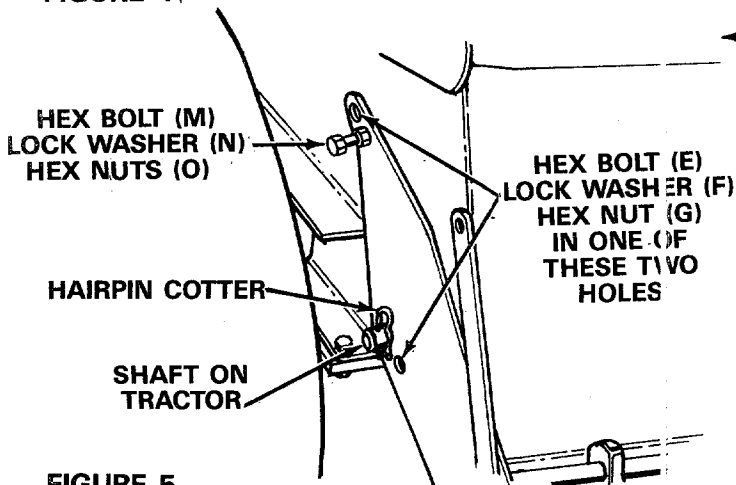


FIGURE 5

1. Remove the cutting deck from your tractor if one is attached.
2. Preassemble the idler bracket support arm (S) to one support pivot bracket (T) and idler bracket assembly as follows.
 - A. Place the idler bracket support arm **down** through the hole in support pivot bracket shown in figure 3.
 - B. Next, slide the idler bracket assembly (V) over the idler bracket support arm. Secure with spiral pin (I). See figure 3. Be certain pivot support bracket is assembled as shown before securing with spiral pin.
3. Remove the two hairpin cotters from the shaft on the rear of your tractor. See figure 4. These will be reassembled in steps 4 and 8.
4. Place the support pivot bracket (with idler bracket and support arm attached) in position on the rear left hand side of tractor. See figure 5. Place large hole in pivot bracket over shaft on tractor. Secure with one hairpin cotter removed in step 3.
5. Thread one hex nut (O) all the way onto hex bolt (M) (1 1/2" long).
6. Align the holes in the support pivot bracket with the holes in the tractor frame. Secure the support pivot bracket to the tractor frame by placing hex bolt (M) (with hex nut attached) through support pivot bracket and hole in frame as shown in figure 5. Secure with lock washer (N) and hex nut (O), finger tight only.
7. If there is a 3/8" hole in the tractor frame down by the shaft on the tractor, insert hex bolt (E) through the hole in support pivot bracket and tractor frame. If no hole is there, insert the bolt through the hole in the top forward part of bracket and frame. Secure with lock washer (F) and hex nut (G).
8. Assemble the other support pivot bracket to the right hand side of tractor in the same manner, except use hex bolt (H) (1" long) instead of the longer hex bolt and the extra hex nut.
9. Tighten securely all four nuts and bolts which were used in assembly of pivot support brackets.

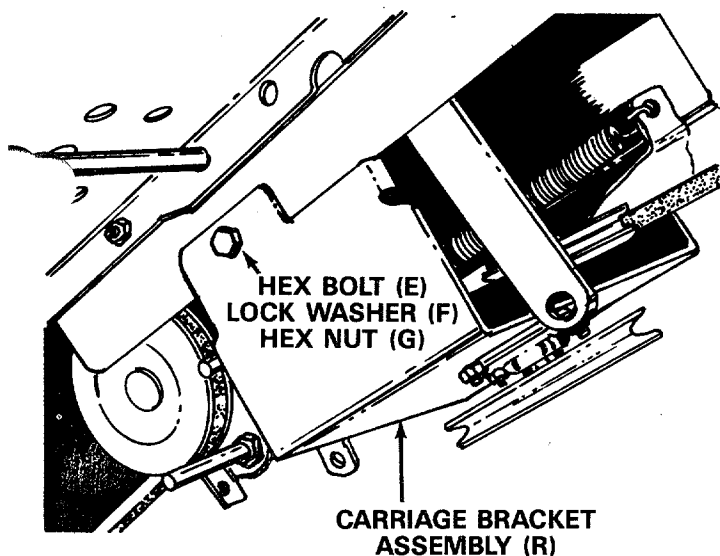


FIGURE 6

10. Secure end of idler bracket support arm assembly on the right side of tractor with one flat washer (D) and hairpin cotter (J).
11. Place carriage bracket assembly (R) in position beneath the running board support rod on the tractor. Secure each side of carriage bracket to frame with hex bolts (E), lock washers (F) and hex nuts (G). Tighten securely. See figure 6.

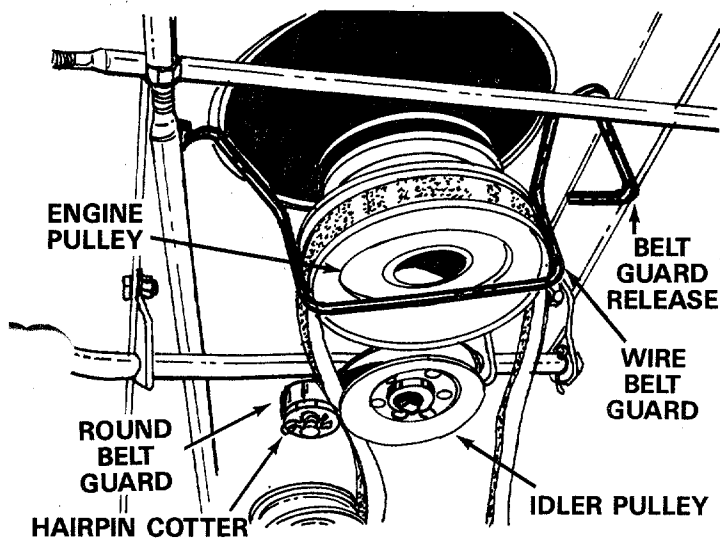


FIGURE 7A

12. Remove the round belt guard from the idler on tractor by removing the hairpin cotter. See figure 7A or 7B.

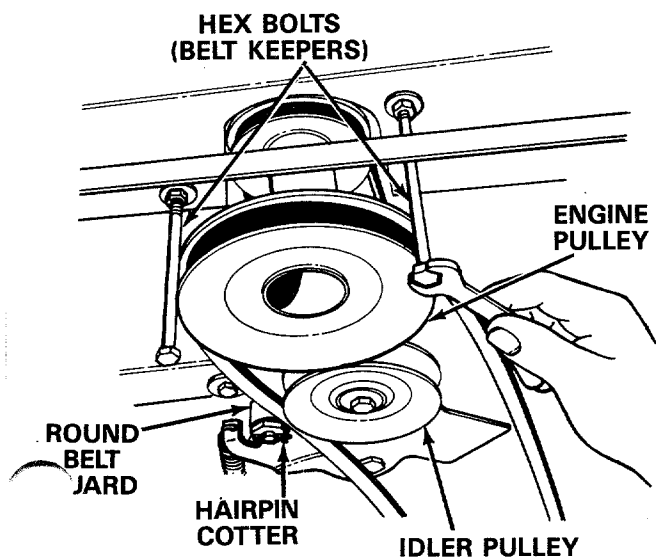


FIGURE 7B

13. Remove the engine pulley belt guard by either unscrewing the belt guard release and swinging the engine pulley belt guard out of the way (see figure 7A), or removing the two long hex bolts which act as belt keepers (see figure 7B).
14. Place the belt which is preassembled to the carriage bracket assembly around the idler pulley and engine pulley on the tractor.
15. Reassemble the round belt guard and hairpin cotter. Reassemble the engine pulley belt guard(s).

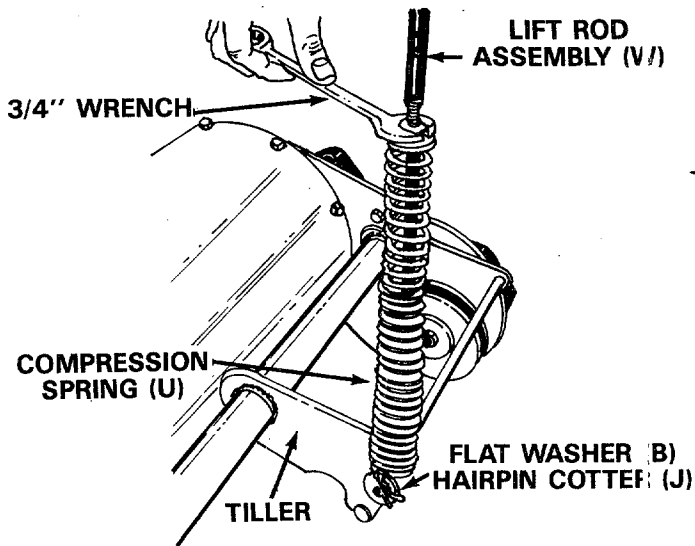
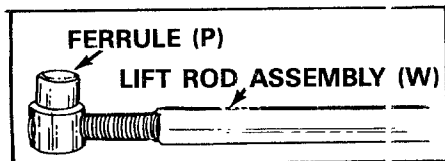


FIGURE 8



16. Place the large compression spring (U) over the slotted end of lift rod assembly (W).
17. Place slotted end of lift rod (with spring attached) over the rod on right hand side of tiller as shown in figure 8. Secure with flat washer (B) and hairpin cotter (J).
18. Using a 3/4" or adjustable wrench, tighten the hex nut which is on the lift rod assembly until the spring is compressed to 11" long (pages of this manual are 11" long). See figure 8.

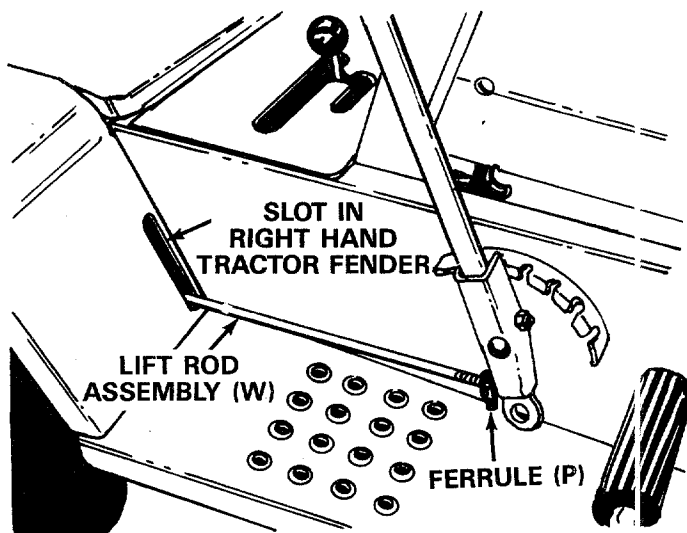


FIGURE 9

19. Thread adjustment ferrule (P) on other end of lift rod assembly a few turns. See figure 9, inset.
20. Place the tiller in position behind the tractor. Slide the tiller forward so the lift rod assembly and ferrule go through the slot in the right hand fender on the tractor. See figure 9.

NOTE

On models prior to 1984, it is necessary to extend the slot in the fender approximately 1-1/2" further down toward the running board. The slot should measure approximately 4-3/8".

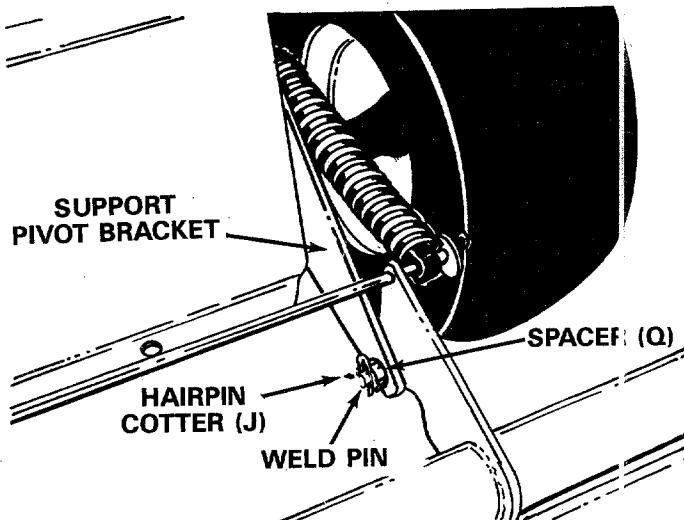


FIGURE 10

21. There are two weld pins on the front of the tiller. Push the tiller forward, then to the left so the weld pins go through the bottom hole in the pivot support brackets. See figures 10 and 11.
22. Secure the weld pin on the right hand side of tiller using spacer (Q) and hairpin cotter (J). See figure 10.

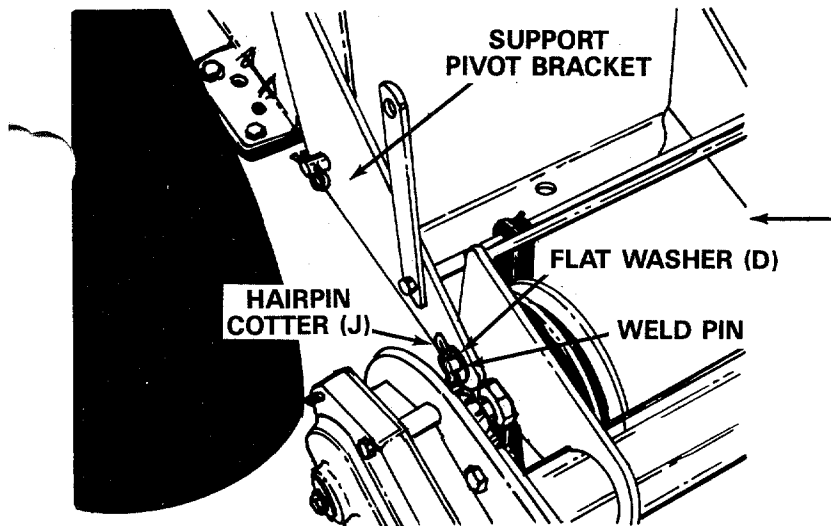


FIGURE 11

23. Secure the weld pin on the left hand side of tiller using one flat washer (D) and hairpin cotter (J). See figure 11.

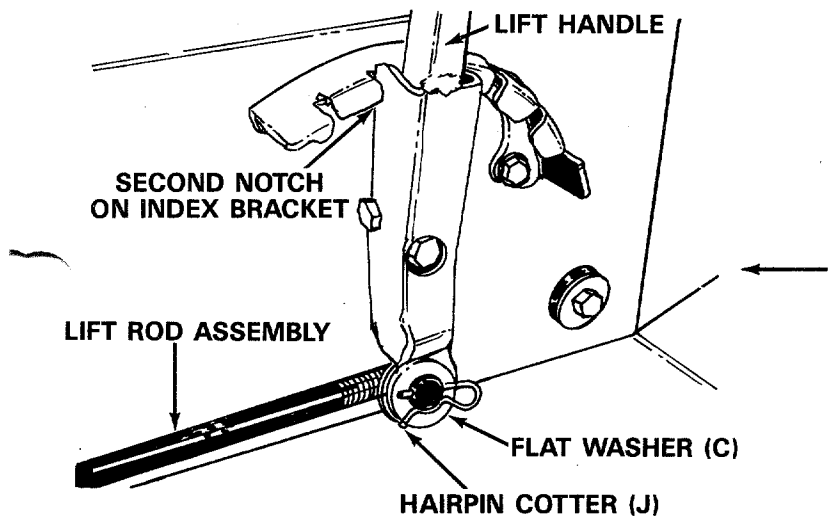


FIGURE 12

24. Move the lift lever on the tractor to the second notch on the index bracket as shown in figure 12.
25. Place a board under the tines. Thread the assembly until it lines up with the bottom hole in the lift handle. Secure ferrule to lift handle using flat washer (C) and hairpin cotter (J). See figure 12.



Refer to operation section for additional adjustment information.

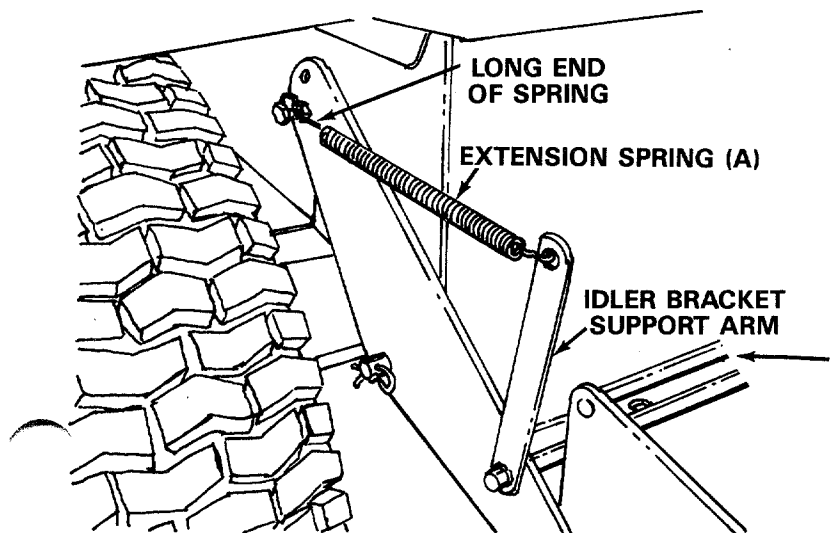


FIGURE 13

26. Hook the short end of extension spring (A) to the idler bracket support arm on the left side of unit. Hook the longer end of spring to the hex bolt on support pivot bracket which was assembled in step 7. See figure 13.

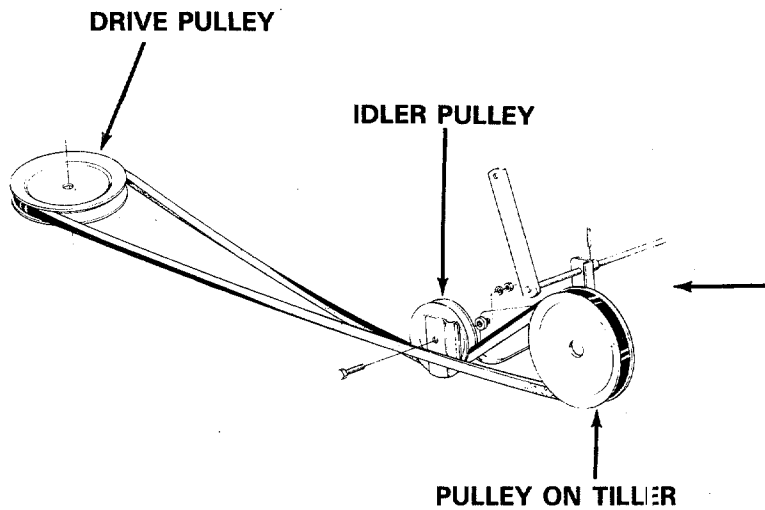


FIGURE 14

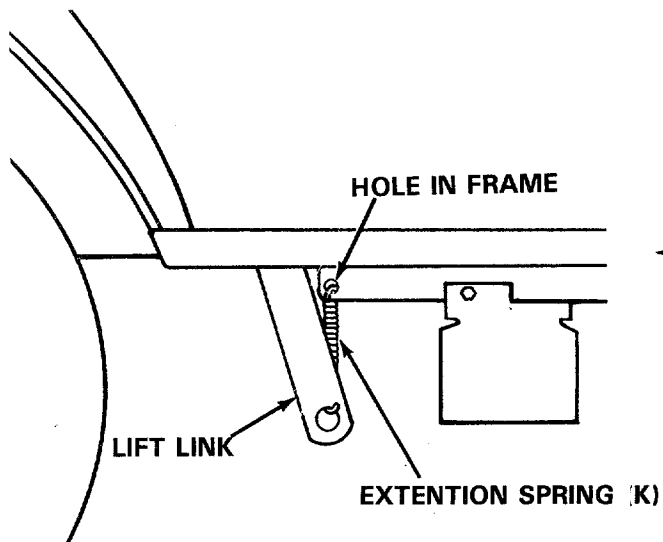


FIGURE 15

27. Assemble the belt as follows (refer to figure 14).
 - A. Belt is attached to the idler pulley assembly. Back of the belt (flat side) goes against the idler pulley.
 - B. Slip belt up and over pulley on tiller ("V" side of belt goes against the pulley).
 - C. Twist the belt 90° to the right as shown in figure 14. Slip the belt around the drive pulley on the tractor.

NOTE

The tines on the tiller are designed to rotate in the opposite of the wheels on the tractor. If they rotate in same direction as the wheels, the belt is twisted in the wrong direction. Unhook the belt from the drive pulley and twist in the opposite direction.

28. If there are holes provided in the tractor frame, hook the lift links up out of the way using the four extension springs (K). See figure 15.

OPERATION

CONTROLS

Lift Lever

The lift lever which is used to raise and lower the tiller and provide tilling depth adjustment is located on the right hand side of the tractor. To raise the tiller, pull back on the lift lever. To transport the tiller, place lift lever in the highest position.

P.T.O. Lever

The P.T.O. lever is located on the right hand side of the tractor. The tines are engaged by lifting the P.T.O. lever to the "Engaged" position. Lower the P.T.O. lever to the "Disengaged" position to stop the tine rotation.

HOW TO USE YOUR TILLER

When tilling sod or soil which has not been tilled before, select a shallow tilling depth with the lift lever, and use a slow ground speed. For further depth, lower the lift lever and make several more passes over the area, each time tilling at right angles to the previous pass. See figure 16.

When tilling loose soil, use a higher ground speed. Use the highest ground speed for pulverizing the soil or for transporting the tiller.

For best results, always till the ground at least twice (lengthwise, then widthwise) as shown in figure 16.

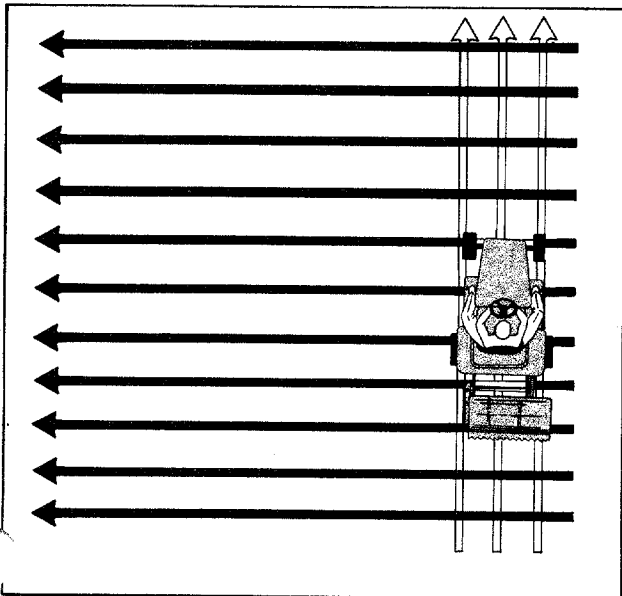


FIGURE 16

ADJUSTMENT FERRULE

The adjustment ferrule on the lift rod assembly provides additional tilling depth adjustment. Recommended adjustment is as follows.

1. Place lift lever in second position.
2. Place a board under the tines and adjust the ferrule to fit into lift lever.

This adjustment provides approximately 3" ground clearance with the lift lever in the highest position (for transport).

Move the ferrule further back on the rod to reduce the tilling depth.

MAINTENANCE

CHAIN CASE LUBRICATION

The chain case is sealed at the factory and does not require checking or changing. If the chain case is disassembled for repair, replace the grease with 20 ounces of plastilube "O" grade grease (part number 737-0133, 14 ounce container).

BEARING CUP

At least once a season, remove the bearing cup on the right hand side of tiller housing. See figure 17. Clean and refill with 2 ounces of plastilube "O" grade grease (part number 737-0133).

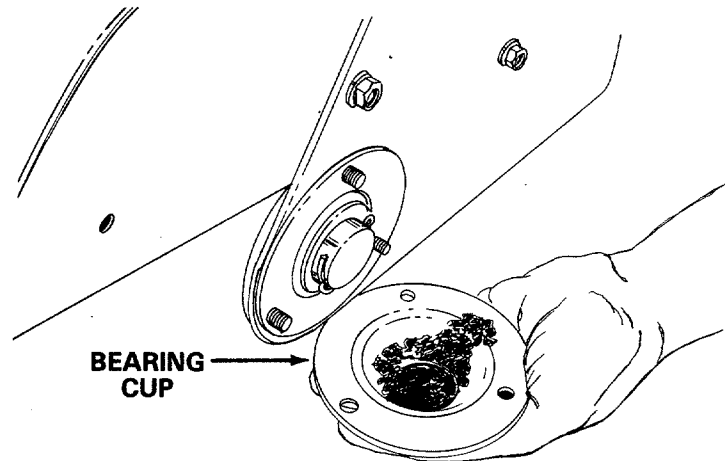


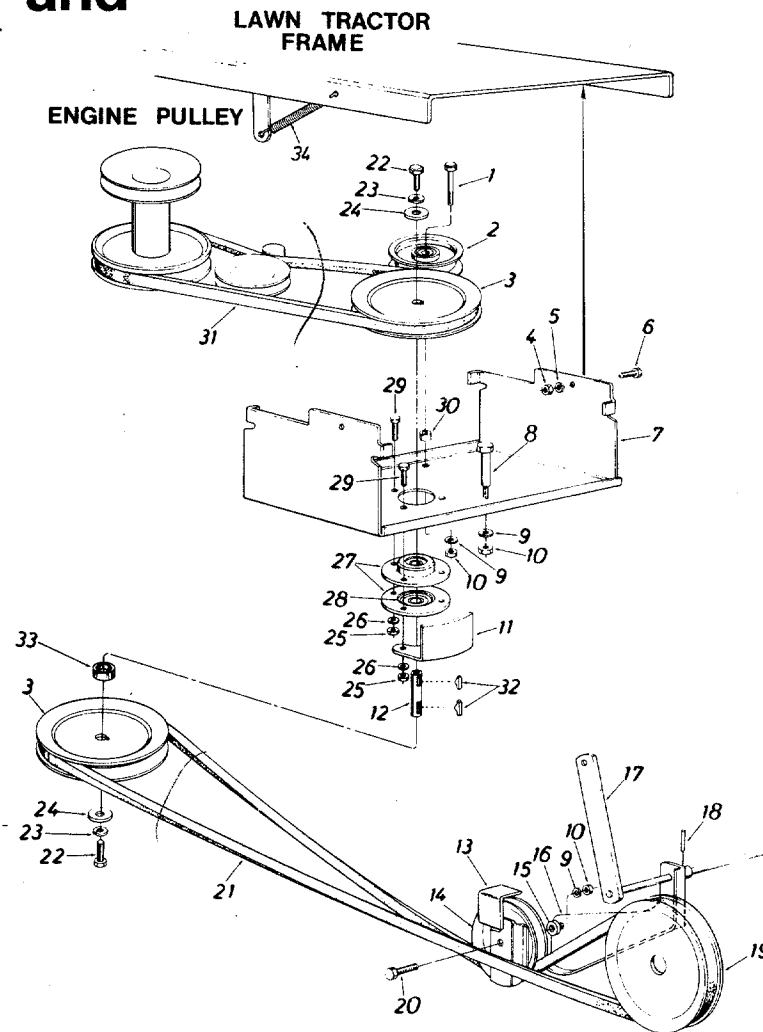
FIGURE 17

LIMITED TORQUE PULLEY

If the limited torque clutch is disassembled for any reason, reassemble as shown in page 14. Using a torque wrench, tighten the first hex jam nut to 350 in. lbs., then lock it in place with the second hex jam nut.

NOTES

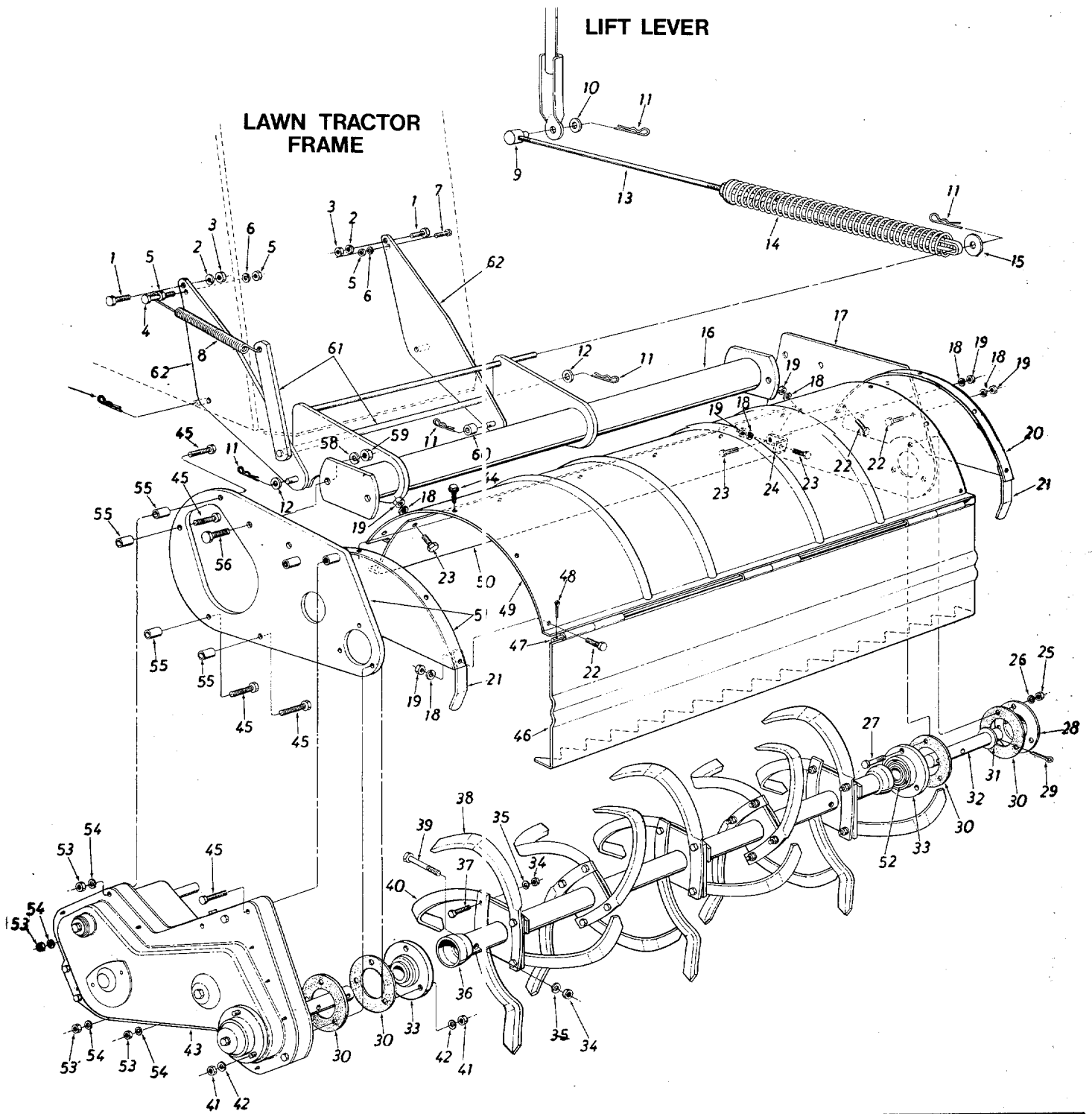
Model 746 and 19746



PARTS LIST FOR MODEL 746 28" TILLER ATTACHMENT

REF. NO.	PART NO.	DESCRIPTION	NEW PART	REF. NO.	PART NO.	DESCRIPTION	NEW PART
1	710-0427	Hex Bolt 3/8-16 x 2.00" Lg.*		18	715-0105	Spring Pin Roll 3/16" Dia.	
2	756-0405	Fl.-Idler w/Flanges 3-3/4" O.D.		19	756-0439	5/8" V-pulley 1.50" I.D. x 6.50" O.D.	
3	756-0438	5/8" "V" -Pulley .790" I.D. x .650" O.D.		20	710-0347	Hex Bolt 3/8-16 x 1.75" Lg.*	
4	712-0241	Hex Nut 3/8-24 Thd.*		21	754-0283A	"V" -Belt	N
5	736-0217	L-Wash. 3/8" I.D. Heavy Duty		22	710-0371	Hex Bolt 5/16-18 x .88" Lg. Spec.	
6	710-0696	Hex Bolt 3/8-24 x .88" Lg.*		23	736-0119	L-Wash 5/16" I.D.*	
7	784-0054A	Carriage Bracket	N	24	736-0231	Fl.-Wash. .344" I.D. x 1.125"	
8	738-0533	Shoulder Bolt .498" Dia.		25	712-0267	Hex Nut 5/16-18 Thd.*	
9	736-0169	L-Wash. 3/8" I.D.*		26	736-0119	L-Wash. 5/16" I.D.*	
10	712-0798	Hex Nut 3/8-16 Thd.*		27	08253B	Bearing Housing 1.85" I.D.	N
11	05406	Belt Guard		28	741-0919	Ball Bearing 1.85" O.D.	
12	738-0789	Shaft .787" Dia. x 3.21" Lg.		29	719-0198	Hex Sems Bolt 5/16-18 x .75"	
13	784-0070	Belt Separator Plate		30	750-0497	Spacer	
14	756-0433	Fl.-Idler w/Flanges 3.25"		31	754-0229	Belt 1/2" Wide x 52" Long	
15	736-0235	Fl.-Wash. .406" I.D. x 1.25"		32	714-0161	Hi-Pro Key 3/16" x 5/8"	
16	784-0071	Idler Bracket Ass'y.		33	750-0763	Spacer .65" I.D. x 1.0" O.D.	X-66
17	784-0073	Idler Bracket Support Ass'y.		34	732-0611	Extension Spring	

Model 746 and 19746



NOTE
Specifications subject to change without notice or obligation.

Model 746 and 19746

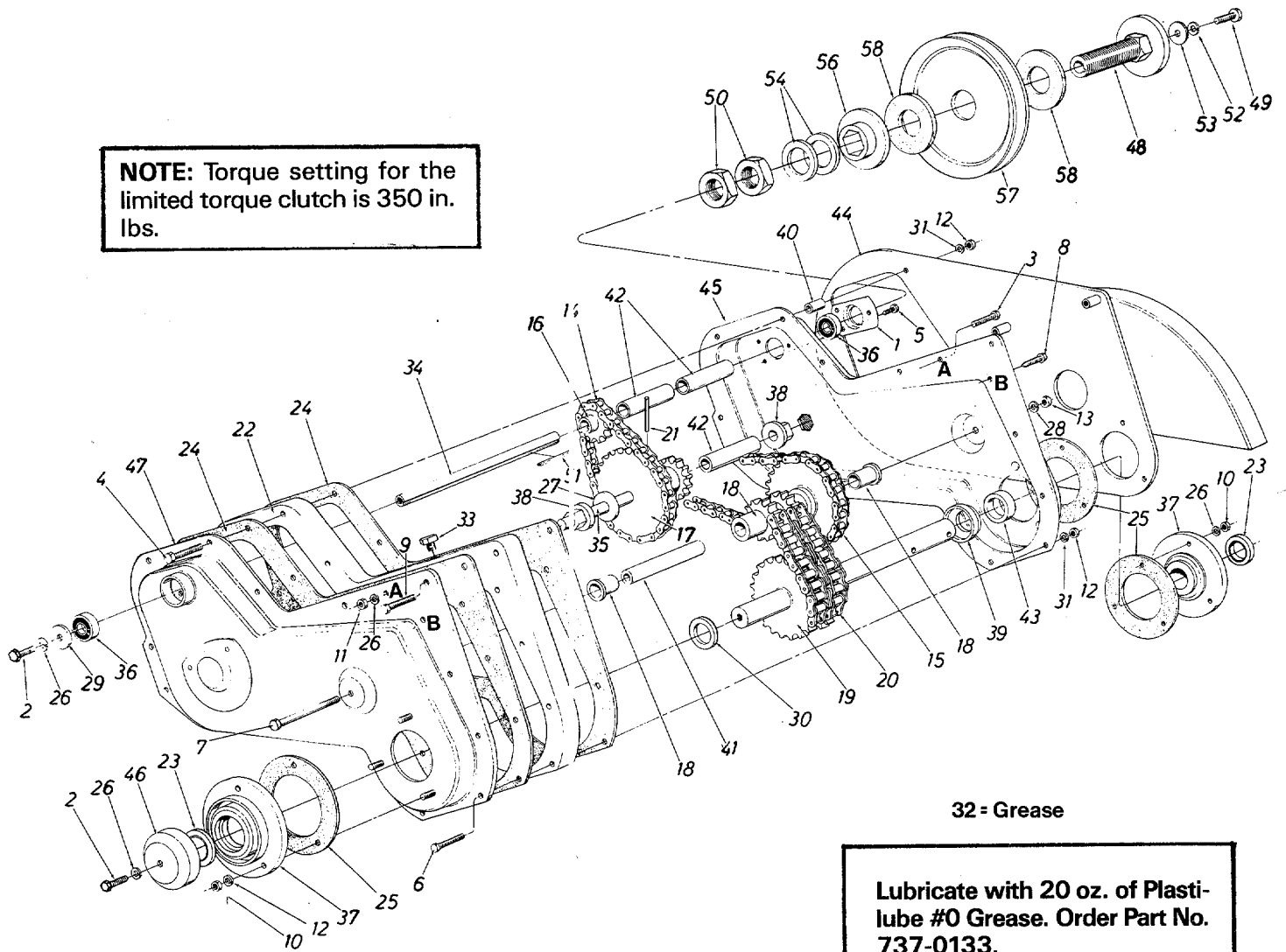
PARTS LIST FOR MODEL 746 28" TILLER ATTACHMENT

REF. NO.	PART NO.	DESCRIPTION	NEW PART	REF. NO.	PART NO.	DESCRIPTION	NEW PART
1	710-0696	Hex Bolt 3/8-24 x .88" Lg.*		31	736-0246	Fl-Wash. 1.25" I.D. x 2.00" O.D. x .06	
2	736-0217	L-Wash. 3/8" I.D. Heavy Duty		32	738-0630	Tine Shaft R.D. 1.25" Dia. x 6.25" Lg.	
3	712-0241	Hex Nut 3/8-24 Thd.*		33	741-0417	Bearing Housing w/Bearing	
4	710-0624	Hex Bolt 5/16-24 x 1.50" Lg.*		34	712-0241	Hex Nut 3/8-24 Thd.*	
5	712-0123	Hex Nut 5/16-24 Thd.*		35	736-0217	L-Wash. 3/8" I.D. Heavy Duty	
6	736-0119	L-Wash. 5/16" I.D.*		36	784-0107	Tine Adapter Ass'y.	
7	710-0117	Hex Bolt 5/16-24 x 1.00" Lg.*		37	710-0459	Hex Bolt 3/8-24 x 1.50" Lg.*	
8	732-0185	Extension Spring .56" O.D. x 7.75" Lg.		38	742-0243	Tine 14" x 5/16"	
9	711-0770	Adjustment Ferrule 1/2-13 Thd.		39	710-0331	Hex Bolt 3/8-24 x 2.25" Lg.*	
10	736-0187	Fl-Wash. .640" I.D. x 1.24" O.D. x .060		40	742-0244	Tine 14" x 5/16"	
11	714-0145	Intern. Cotter Pin 1/2" Dia.		41	712-0158	Hex Cent. L-Nut 5/16-18 Thd.	
12	736-0272	Fl-Wash. .510" I.D. x 1.0" O.D. x .060		42	736-0119	L-Wash. 5/16" I.D.*	
13	784-0050	Lift Rod Ass'y. 39.0" Lg.		43	884-0061-5	Chain Case Ass'y. Comp.	
14	732-0460	Compression Spring 1.50" O.D. x 15.0" Lg.		44	710-0604	Hex Wash. TT Tap. Scr. 5/16-18 x .62" Lg.	
15	736-0208	Fl-Wash. .51" I.D. x 1.50" O.D. x .075		45	710-0564	Hex Bolt 1/4-20 x 2.75" Lg.*	
16	784-0063	Pivot Bracket Assembly		46	784-0076	Tine Shield - Hinge Flap Ass'y. 30"	
17	784-0056	Tiller Housing Plate- R.H.		47	747-0479	Tiller Flap Rod 1/4" Dia. x 29.7" Lg.	
18	736-0119	L-Wash. 5/16" I.D.*		48	714-0115	Cotter Pin 1/8" Dia. x 1.00 Lg.*	
19	712-0123	Hex Nut 5/16-24 Thd.*		49	784-0074	Tine Shield Ass'y. 30" Lg.	
20	784-0058	End Cover - Tine Shield - R.H.		50	784-0060	Reinforcement Brk't-Tine Shield	
21	784-0069	Tine Shield Hinge Flap Support		51	784-0055	Tiller Housing Plate Ass'y.	
22	710-0157	Hex Bolt 5/16-24 x .75" Lg.*		52	721-0192	Oil Seal Double Lip- 1-1/4" Shaft	
23	710-0237	Hex Bolt 5/16-24 x .62" Lg.*		53	712-0287	Hex Nut 1/4-20 Thd.*	
24	12541	Chute Pivot Bracket		54	736-0329	L-Wash. 1/4" I.D.*	
25	712-0158	Hex Cent. L-Nut 5/16-18 Thd.		55	750-0599	Spacer .28" I.D. x .62" O.D. x .90" Lg.	
26	736-0119	L-Wash. 5/16" I.D.*		56	710-0592	Hex Bolt 1/2-13 x 1.00" Lg.*	
27	710-0376	Hex Bolt 5/16-18 x 1.0" Lg. (Grade 5)		58	736-0921	L-Wash. 1/2" I.D.*	
28	784-0068	Grease Housing Cup		59	712-0206	Hex Nut 1/2-13 Thd.*	
29	714-0470	Cotter Pin 1/8" Dia. x 1.25" Lg.*		60	711-0212	Spacer .50" I.D. x 1.00" O.D. x .50" Lg.	
30	721-0133	Gasket for Brg. Housing		61	784-0073	Idler Bracket Support Arm Ass'y	
				62	784-0064B	Pivot Bracket Support	N

For faster service obtain standard nuts, bolts and washers locally. If these items cannot be obtained locally, order part number and size as shown on parts list.

Model 746 and 19746

NOTE: Torque setting for the limited torque clutch is 350 in. lbs.



Model 746 and 19746

PARTS LIST FOR CHAIN CASE ASSEMBLY COMPLETE 884-0061-5

REF. NO.	PART NO.	DESCRIPTION	NEW PART	REF. NO.	PART NO.	DESCRIPTION	NEW PART
1	05034	Bearing Housing 1-3/8" Dia.		29	736-0231	Fl.-Wash. .344" I.D. x 1.125" O.D.	
2	710-0371	Hex Bolt 5/16-18 x .88" Lg. Spec.		30	736-0368	Special Washer	
3	710-0442	Hex Bolt 5/16-18 x 1.50" Lg.*		31	736-0329	L.-Wash. 1/4" I.D.*	
4	710-0564	Hex Bolt 1/4-20 x 2.75" Lg.*		32	737-0133	Grease - Plastilube #0 (Not Shown)	
5	710-0599	Hex Wash. S- Tap. Scr. 1/4-20 x .50" Lg.		33	737-0175	Vent Plug	
6	710-0606	Hex Bolt 1/4-20 x 1.50" Lg.*		34	738-0181	Jack Shaft .525" I.D. x 7.78" Lg.	
7	710-0693	Hex Bolt 3/8-16 x 4.5" Lg.		35	738-0594	Sprocket Shaft .63" Dia. x 5.0" Lg.	
8	710-0778	Hex Wash. Hd. Bolt 1/4-20 x 1.5" Lg.		36	741-0155	Ball Brg. .62" I.D. x 1.38" O.D.	
9	710-0909	Hex Wash. TT -Tap Scr. 5/16-18 x 1.75" Lg.		37	741-0417	Bearing Housing - 1-1/4"	
10	712-0158	Hex Cent. L.-Nut 5/16-18 Thd.		38	748-0229	Hex Flange Brg.	
11	712-0267	Hex Nut 5/16-18 Thd.*		39	750-0563	Spacer 1.25" I.D. x 2.0" O.D.	
12	712-0287	Hex Nut 1/4-20 Thd.*		40	750-0599	Spacer .28" I.D. x .62" O.D. x .90" Lg.	
13	712-0798	Hex Nut 3/8-16 Thd.*		41	750-0600	Spacer .38" I.D. x .62" O.D. x 3.44" Lg.	
14	713-0131	#41 Chain 1/2" Pitch x 34 Links - Endless		42	750-0601	Spacer .62" I.D. x .88" O.D. x 1.56" Lg.	
15	713-0186	#42 Chain 1/2" Pitch x 48 Links - Endless		43	750-0636	Spacer 1.25" I.D. x 1.62" O.D. x .50" Lg.	
16	713-0206	Sprocket 10 Tooth .500" Pitch		44	784-0055	Tiller Housing Plate Ass'y- L.H.	
17	713-0341	10 & 28 Teeth Sprocket Ass'y.		45	784-0061	Tiller Housing Ass'y.	
18	713-0342	8-2 & 28 Sprocket Sleeve Ass'y.		46	784-0067	Dust Cap .320" Dia. Hole	
19	713-0362	18-2 Sprocket Shaft Ass'y.		47	784-0077	Tiller Housing Ass'y-R.H.	
20	713-0344	#50-2 Chain 5/8" Pitch x 28 Links - Endless		48	15727	Friction Disc Ass'y.	
21	715-0114	Spring Pin Spir. 1/4" Dia. x 1.50" Lg.		49	710-0573	Hex Bolt 5/16-18 x 1.25" Lg. Grade 5	
22	717-0811	Spacer Block - Tiller Housing		50	712-0331	Hex Jam Nut 1.0-14 x 28 Thd.	
23	721-0192	Oil Seal Double Lip-1-1/4" Dia.		51	714-0133	Sq. Key 3/16 x 1.50" Lg.	
24	721-0132	Gasket for Tiller Housing		52	736-0119	L.-Wash. 5/16" I.D.*	
25	721-0133	Gasket for Brg.-Housing		53	736-0231	Fl.-Wash. .344" I.D. x 1.125" O.D.	
26	736-0119	L.-Wash. 5/16" I.D.*		54	736-0352	Spring Bell Wash. 1.0" I.D. x 2.0" O.D.	
27	736-0187	Fl.-Wash. .640" I.D. x 1.24" O.D.		56	748-0296	Floating Disc 3-1/4" O.D. x 1.0" I.D.	
28	736-0217	L.-Wash. 3/8" I.D. Heavy Duty		57	756-0439	5/8 V-Pulley 1.50" I.D. x 6.50"	
				58	761-0189	Friction Pad 3-1/4" O.D. x 1-3/8" I.D.	

REPLACEMENT PARTS • P.O. 30X 360900 • CLEVELAND, OHIO 44136

Free Manuals Download Website

<http://myh66.com>

<http://usermanuals.us>

<http://www.somanuals.com>

<http://www.4manuals.cc>

<http://www.manual-lib.com>

<http://www.404manual.com>

<http://www.luxmanual.com>

<http://aubethermostatmanual.com>

Golf course search by state

<http://golfingnear.com>

Email search by domain

<http://emailbydomain.com>

Auto manuals search

<http://auto.somanuals.com>

TV manuals search

<http://tv.somanuals.com>