

Bolens[®]

Parts Catalog

6HP Model Tiller

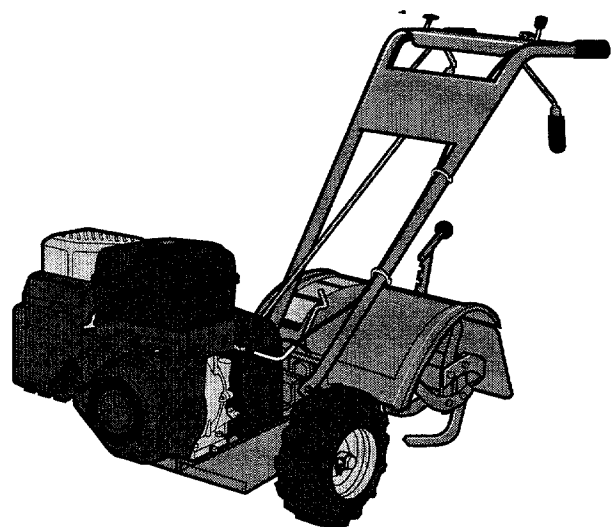
Models

12197

Serial Numbers 121971100101 - 121971199999

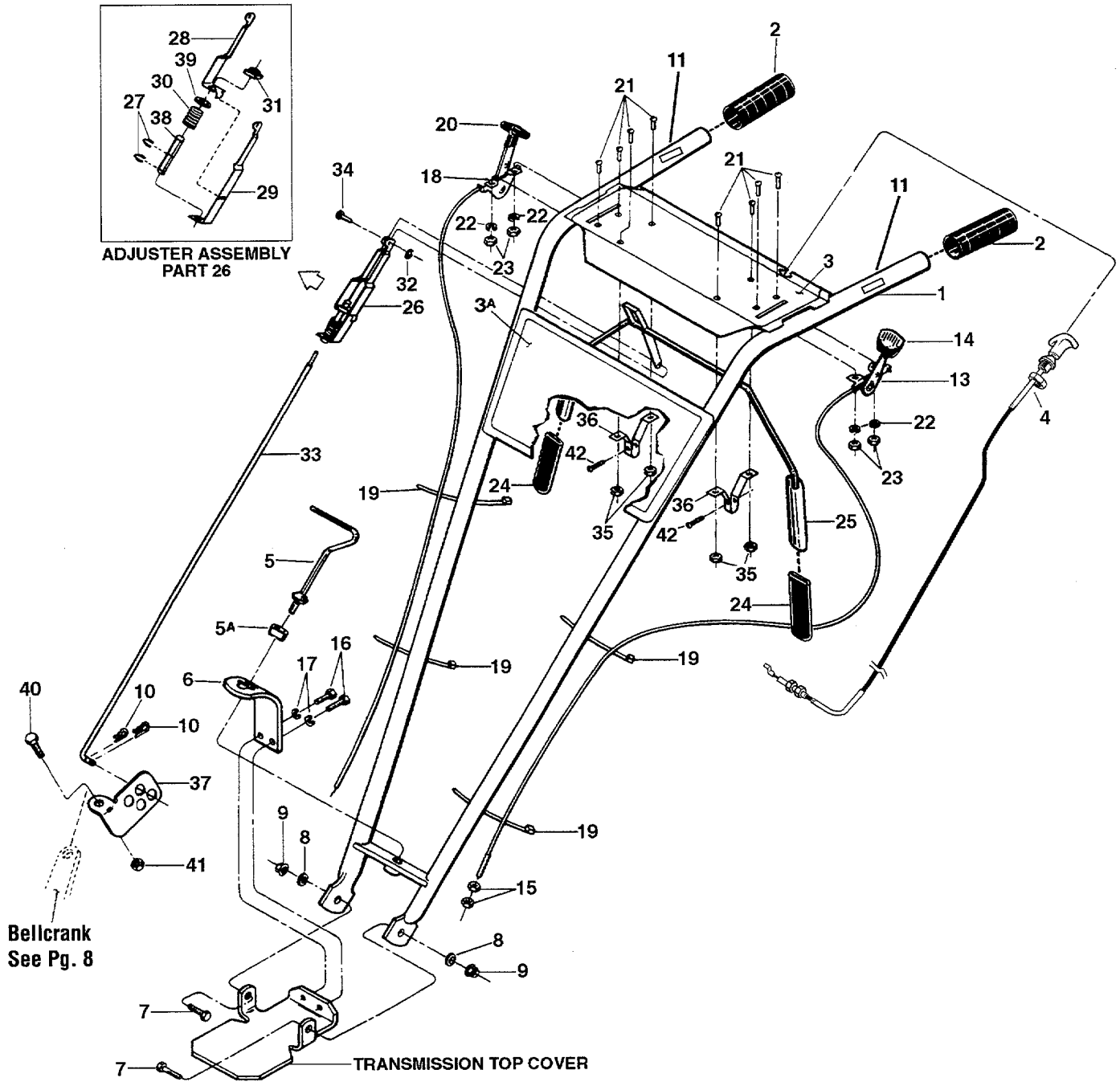
12203

Serial Numbers 122031100101 - 122031199999



GARDEN WAY INCORPORATED

HANDLEBAR ASSEMBLY & CONTROL LEVERS



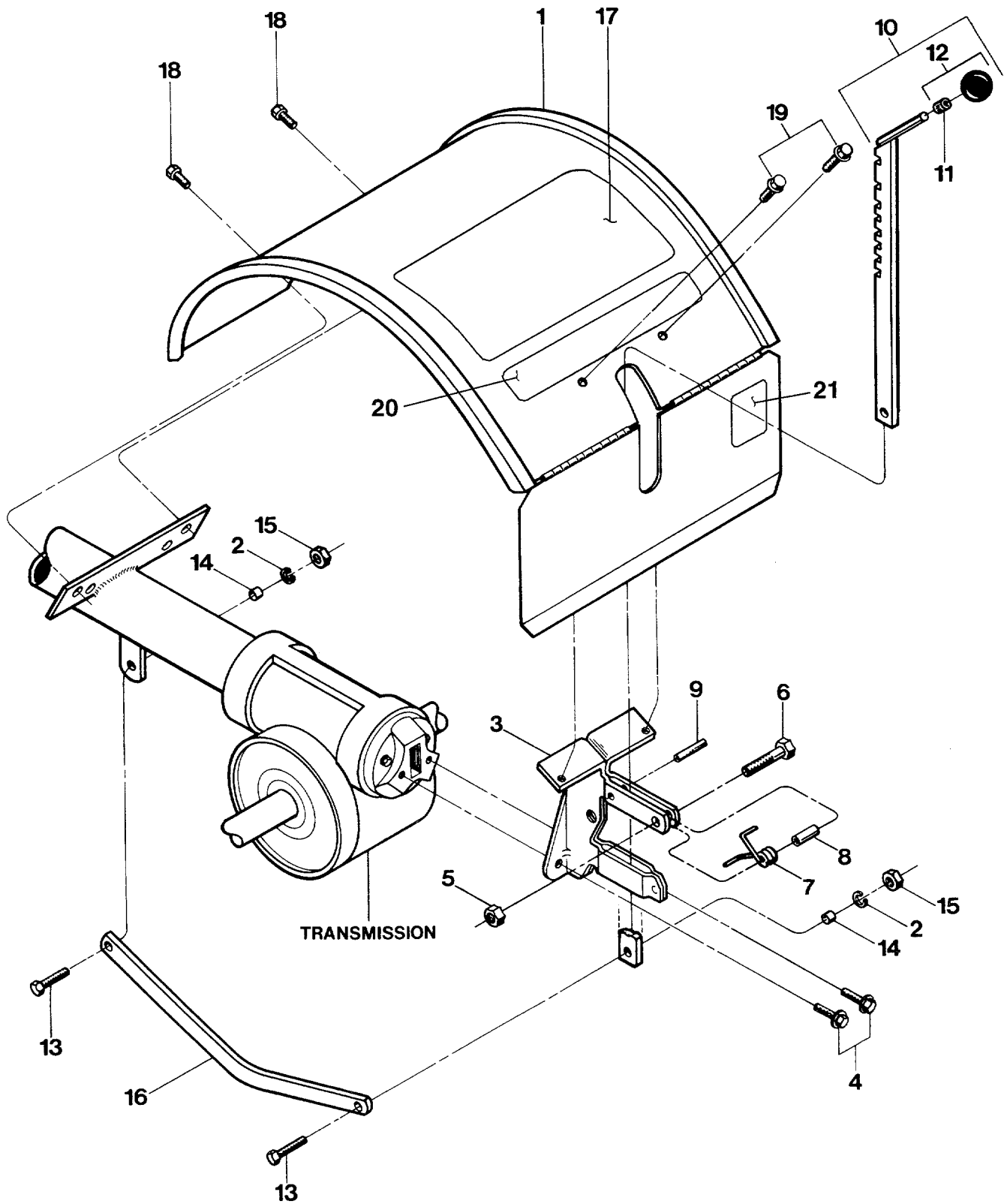
HANDLEBAR ASSEMBLY & CONTROL LEVERS

REF No.	PART No.	DESCRIPTION	QTY.	REF No.	PART No.	DESCRIPTION	QTY.
1	1917235	Handlebars-(incl. Ref. No.'s 2, 3 and 3A)	1	21	1114748	Screw-round hd, No. 10-32 x 1/2 .	8
2	9126	Grip-handlebars	2	22	1100240	Lockwasher-No. 10.....	4
3	1917210	Decal-for operator control panel ...	1	23	1186208	Nut-hex, No. 10-32	4
3A	1917208	Decal- model name, logo	1	24	9390	Grip-paddle	2
4	1916784	Reverse Clutch Control Cable	1	25	20863	Bail-forward clutch control (incl. two Grips, Ref. No. 24)	1
5	20703	Handle, Height Adjustment	1	26	20862	Adjuster Assembly (incl. Ref. No.'s 27, 28, 29, 30, 38 and 39).....	1
5A	9955	Washer-keyed	1	27	9532	Klip Ring.....	2
6	1900475001	Bracket-handlebar height adjust ...	1	28	20808	Adjuster, Right Side	1
7	1100046	Screw-hex hd., 3/8-16 x 1*	2	29	20809	Adjuster, Left Side	1
8	9904	Washer-plain (flat) 3/8, S.A.E.....	2	30	9059	Spring-Adjuster.....	1
9	9837	Locknut-hex, 3/8-16	2	31	9522	Nut-rectangular	1
10	9338	Hair Pin Cotter	2	32	9386	Klip Ring.....	1
11	1903597	Decal-forward clutch (A)	2	33	20831	Rod-forward clutch.....	1
13	9442	Wheel Gear Control & Cable Assy. (incl. Ref. No.'s 14, 15, 19, 21, 22, and 23).....	1	34	97083	Pin-Clevis.....	1
14	9057	Knob-wheel gear control lever	1	35	9853	Sems Nut.....	4
15	1186211	Nut-hex, 5/16-24, wheel gear cable adjustment.....	2	36	20806	Bracket-bail support.....	2
16	1100068	Screw-hex hd., 3/8-16 x 3/4*	2	37	20888	Swivel	1
17	1100243	Lockwasher-3/8	2	38	9432	Bushing	1
18	1916900	Engine Throttle Control & Cable	2	39	9973	Washer	1
19	1735531	Ties-plastic.....	4	40	1100805	Screw-hex hd., 1/4-20 x 3/4*	1
20	9212	Knob-throttle control lever	1	41	9811	Nut-1/4-20	1
				42	9552	Screw-flanged hex hd, self-tapping, 1/4-20 x 1/2*	2

* Specify GRADE 5 if ordering part locally.

- (A) Model 12197
- (B) Model 12203

HOOD, BRACKET & DEPTH REGULATOR



HOOD, BRACKET & DEPTH REGULATOR

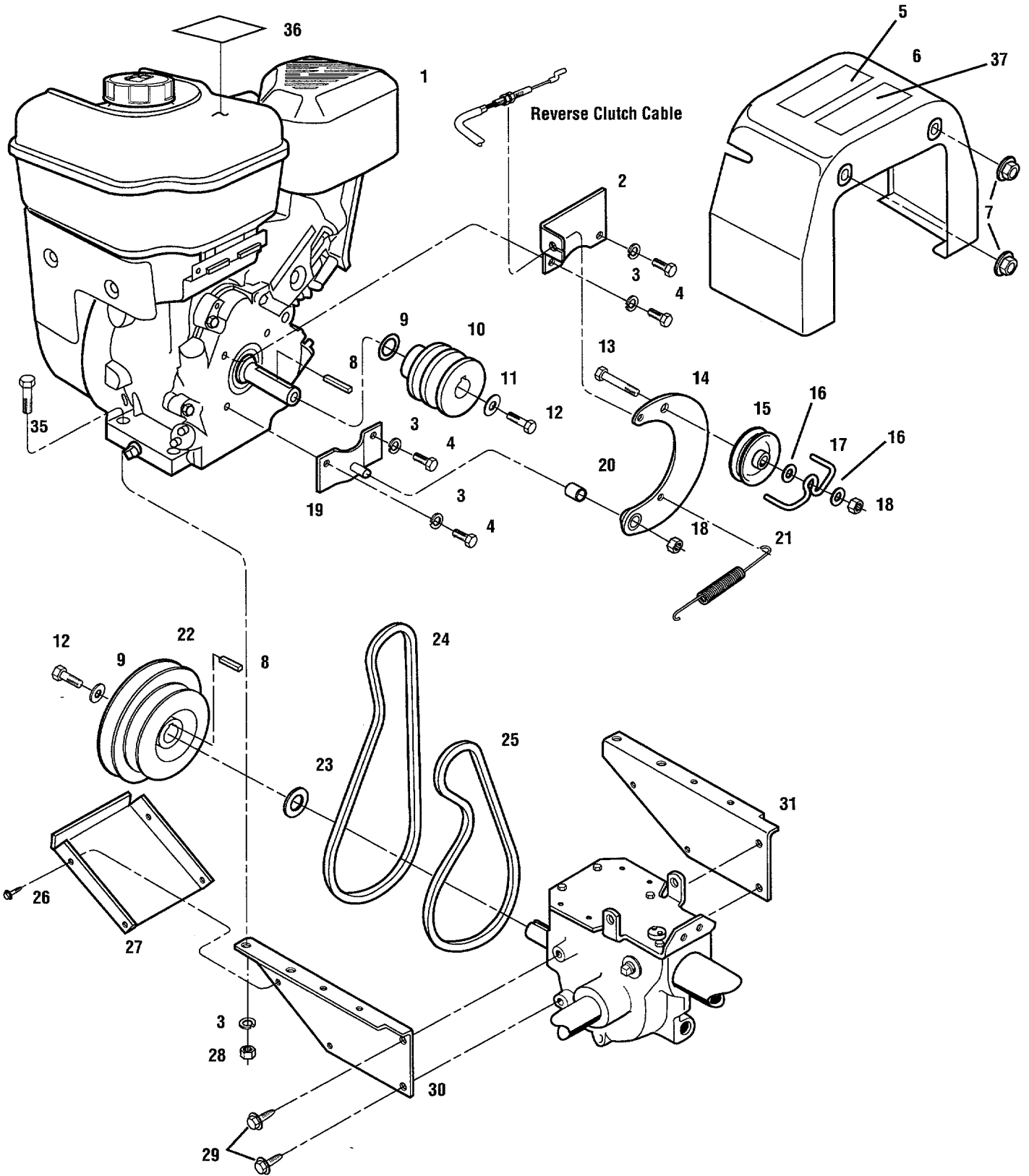
REF No.	PART No.	DESCRIPTION	QTY.	REF No.	PART No.	DESCRIPTION	QTY.
1	1917236	Hood-tine cover, with hinged flap. Incl. Ref. No. 17, 20, 21. (B).....	1	15	1186231	Nut-hex, 3/8-16	2
1	1917239	Hood-tine cover, with hinged flap. Incl. Ref. No. 21 - 27. (A)		16	20775	Drag Bar-depth regulator	1
2	1100243	Lockwasher-3/8.....	2	17	1916805	Decal-tiller operating instructions. (B)	1
3	2527	Bracket-hood & depth regulator (Incl. Ref. No. 9)	1	18	9553	Screw-hex hd, self-tapping, 5/16-18 x 1/2*	2
4	90038	Screw-flanged hex hd., 5/16-18 x 5/8*	2	19	9552	Screw-flanged hex hd, self-tapping, 1/4-20 x 1/2*	2
5	9811	Locknut-hex, 1/4-20	1	20	1917199	Decal-Logo. (A and B)	1
6	1100069	Screw-hex hd., 1/4-20 x 1*	1	21	1911361	Decal-Tine Warning. (B)	1
7	9384	Spring-depth regulator plunger	1	22	1916417	Decal-Read Operator Manual. (A) [Not shown.]	1
8	9438	Spacer.....	1	23	1916418	Decal-Thrown Object. (A) [Not shown.]	1
9	9308	Roll Pin-1/4 x 1 (spiral)	1	24	1916419	Decal-Hot Surface. (A) [Not shown.]	1
10	1117A	Bar Assembly-depth adjustment (Incl. Ref. No's. 11 and 12).....	1	25	1916420	Decal-Read Operator Manual before Maintenance. (A) [Not Shown.]	1
11	9120	Ring-retaining, tolerance ring.....	1	26	1916421	Decal-Belt. (A) [Not Shown.].....	1
12	9119	Knob-depth regulator (Incl. Ref. No. 11)	1	27	1916423	Decal-Tines. (A) [Not Shown.]....	1
13	1100043	Screw-hex hd, 3/8-16 x 1-1/4*	2				
14	1113-1	Bushing-spacer, drag bar	2				

* Specify GRADE 5 if ordering part locally.

(A) Model 12197

(B) Model 12203

ENGINE, SUPPORT BRACKETS, PULLEYS, BELTS & BELT COVER



ENGINE, SUPPORT BRACKETS, PULLEYS, BELTS & BELT COVER

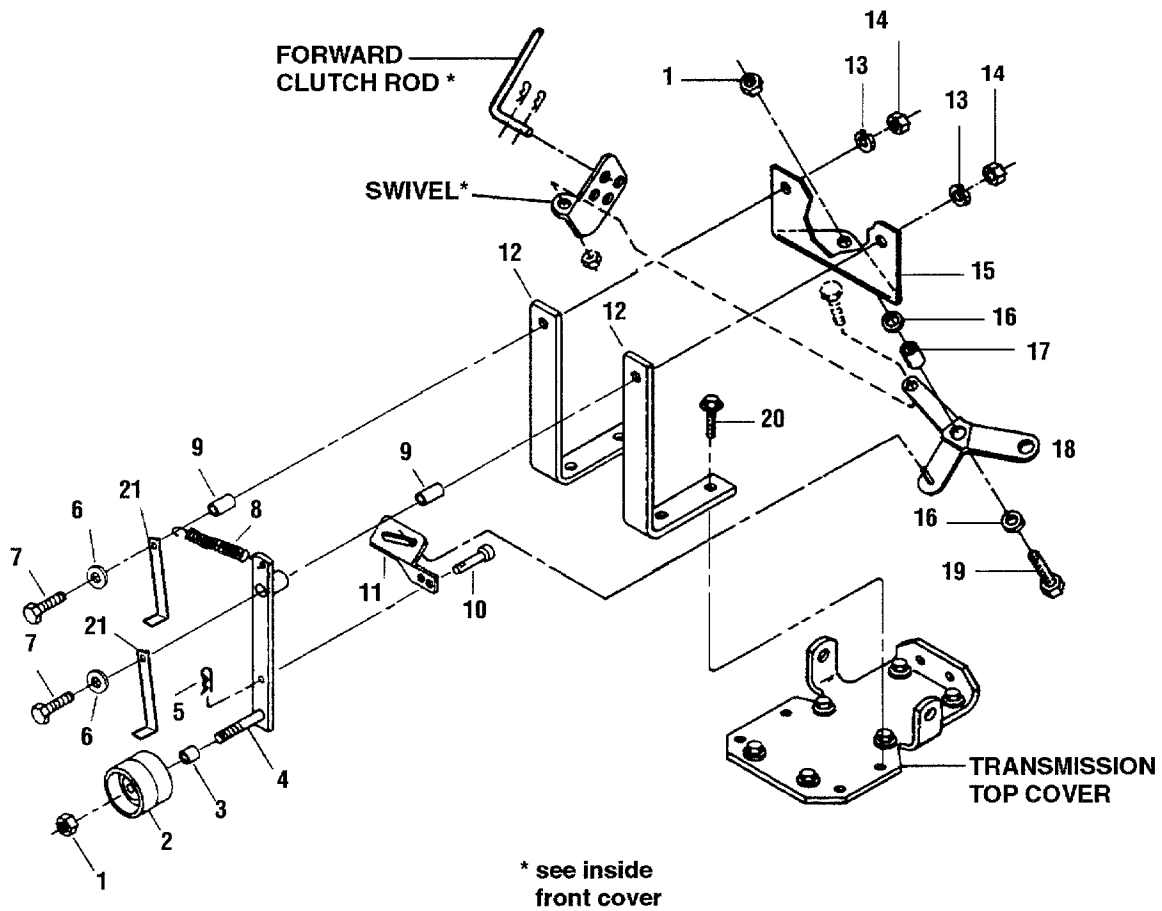
REF No.	PART No.	DESCRIPTION	QTY.	REF No.	PART No.	DESCRIPTION	QTY.
1	**	Engine – 6HP, standard recoil start	1	21	1916728	Spring, Reverse Return	1
2	1916633001	Bracket, Clutch Cable	1	22	1916522	Pulley, Transmission	1
3	1100242	Lockwasher–5/16.....	8	23	1440	Support Washer	1
4	1111696	Screw–hex hd., 5/16-24 x 1/2.....	4	24	1916753	Reverse Drive Belt.....	1
5	1904557	Decal–Hot surfaces/belt warning ..	1	25	1909404	Forward Drive Belt	1
6	1917139	Cover–(incl. Ref. No. 5)	1	26	1900396	Screw–hex hd., #10-32 x 1/2, self-tapping	4
7	1186391	Nut–5/16-18, Flange Lock.....	2	27	1916189001	Guard, Belts/Pulleys.....	1
8	1108841	Key–3/16 x 1-1/2	2	28	1186230	Hex Nut, 5/16–18.....	4
9	1138-1	Washer–Disc Spring	1	29	1186329	Screw–flanged hex hd., 5/16-18 x 3/4*	4
10	1916520	Pulley, Engine Drive	1	30	1916797001	Support Bracket–engine, left side .	1
11	9944	Washer, Belleville	2	31	1916796001	Support Bracket–engine, right side	1
12	9572	Screw–hex hd., 5/16–24 x 1-1/8...	2	32	----	Ref. No. not used.	
13	1111606	Screw–hex hd., 5/16–18 x 2	1	33	----	Ref. No. not used.	
14	1916578001	Reverse Idler Arm	1	34	----	Ref. No. not used.	
15	1916535	Pulley, Reverse Idler	1	35	1100799	Screw–hex hd., 5/16–18 x 1-1/2...	4
16	1107382	Washer, Flat, 5/16	2	36	1915810	Decal–Stabilization.....	1
17	1916725	Belt Guide	1	37	1903584	Decal–Warning Hot Surface. (B) ..	1
18	1110107	Locknut, 5/16–18.....	1				
19	1916559001	Bracket, Reverse Idler	1				
20	1916536	Bushing.....	1				

* Specify GRADE 5 if ordering part locally.

** See your local authorized engine service dealer for engine parts or service. Refer to engine nameplate for engine type and code information.

- (A) Model 12197
- (B) Model 12203

FORWARD IDLER ASSEMBLY

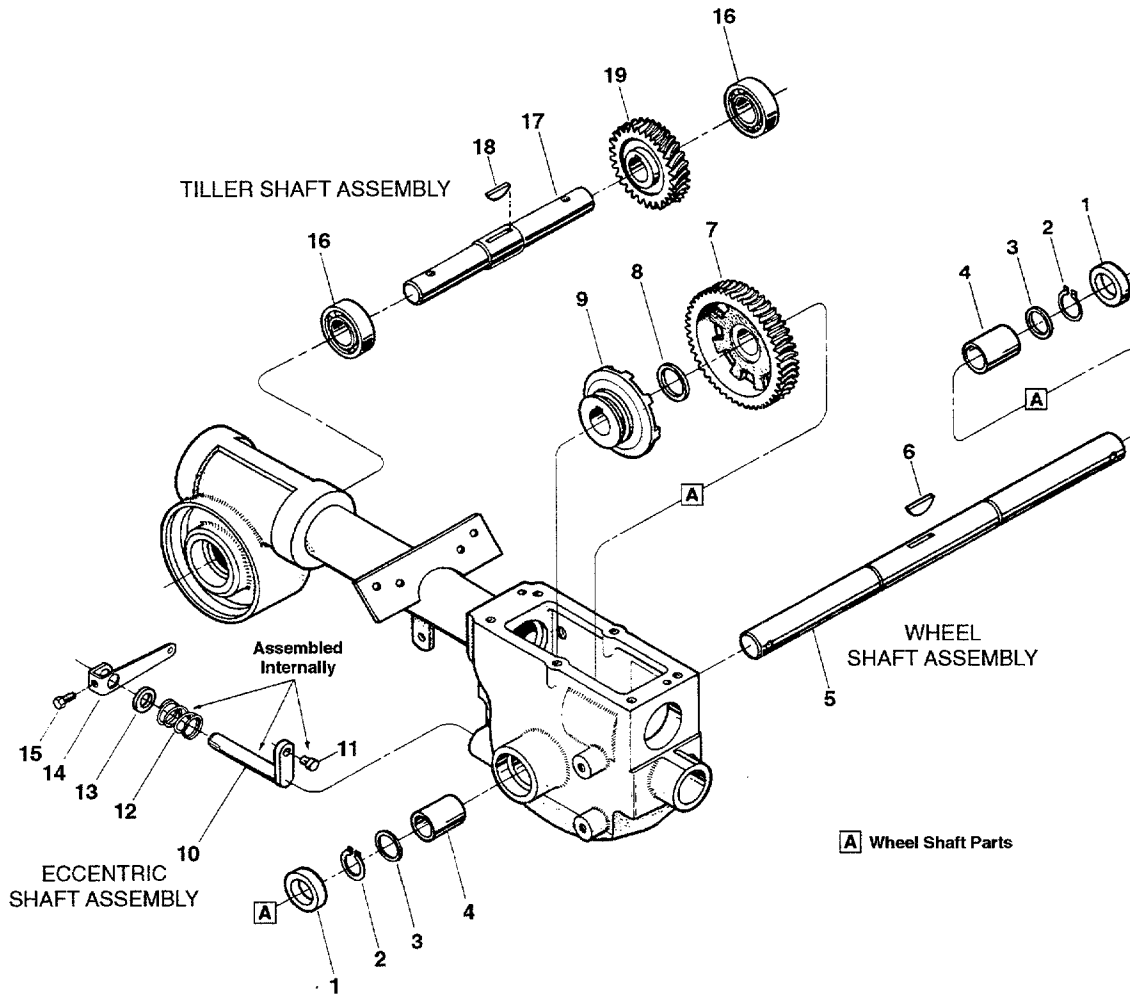


FORWARD IDLER ASSEMBLY

REF No.	PART No.	DESCRIPTION	QTY.	REF No.	PART No.	DESCRIPTION	QTY.
1	1110108	Locknut-hex, 3/8-16.....	2	11	20517-01	Forward Link.....	1
2	9090	Pulley-idler, forward tiller	1	12	1916194001	Mounting Bar	2
3	20532	Spacer.....	1	13	1100242	Lockwasher-5/16.....	2
4	1916192001	Idler Arm-left, forward tiller direction	1	14	1186230	Nut-hex, 5/16-18	2
5	9338	Hairpin Cotter.....	1	15	1916195001	Shifting Base.....	1
6	20545	Washer-plain, 5/16	1	16	20553	Spacer-Bushing.....	2
7	1111607	Screw-hex hd., 5/16-18 x 2-1/4* ..	2	17	20532	Bushing-bellcrank	1
8	1916727	Spring	1	18	1916196001	Bellcrank	1
9	9479	Pivot Bushing.....	2	19	1100043	Screw-hex hd., 3/8-16 x 1-1/4*	1
10	9340	Pin	1	20	1186331	Screw-flanged hex hd., 5/16-18 x 1	1
				21	1917149001	Belt Guide-forward belt	2

* Specify GRADE 5 if ordering part locally.

WHEEL SHAFT, ECCENTRIC SHAFT & TILLER SHAFT ASSEMBLIES



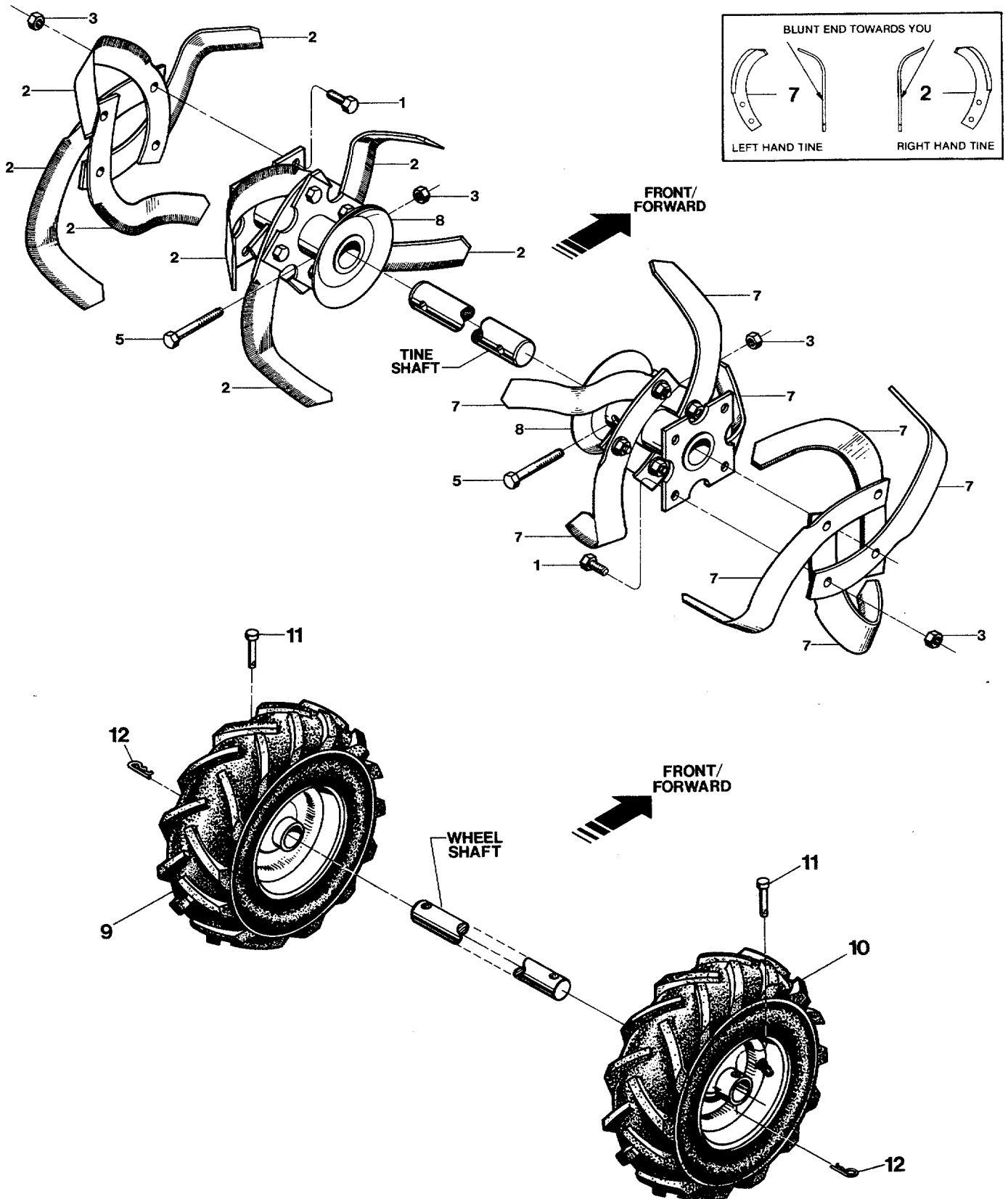
WHEEL SHAFT, ECCENTRIC SHAFT & TILLER SHAFT ASSEMBLIES

REF No.	PART No.	DESCRIPTION	QTY.	REF No.	PART No.	DESCRIPTION	QTY.
1	9621	Oil Seal—left and right sides	2	9	20712	Clutch—wheel drive, cast iron.....	1
2	9511	Ring—retaining, heavy-duty, external	2	10	20879	Eccentric Shaft—wheel clutch shifting.....	1
3	1166-1	Shim—1-1/64 I.D., .062 thick	A/R	11	1442	Pin—eccentric shaft	1
---	1166-2	Shim—as above, but .030 thick	A/R	12	9055	Spring.....	1
---	1166-3	Shim—as above, but .015 thick	A/R	13	9622	Oil Seal—eccentric shaft	1
---	1166-4	Shim—as above, but .010 thick	A/R	14	20757	Lever—eccentric shaft	1
4	1086	Bushing	2	15	11000804	Screw—hex hd., 1/4-20 x 1/2*	1
5	2494	Wheel Shaft (axle)—incl. Ref. No. 6	1	16	97074	Ball Bearing—for tiller shaft	2
6	9373	Key—hi-pro (1/4 x 1-5/16), clutch to wheel shaft.....	1	17	20896	Tiller Shaft—incl. Ref. No. 18.....	1
7	20914	Gear—wheel drive (worm gear), cast iron	1	18	1104	Key—woodruff, 1/4 x 1-1/4, for tiller shaft/worm gear	1
8	9935	Shim—between key and gear (1.016 I.D. x 1.468 O.D. x .062 thick).....	1	19	20913	Worm Gear—bronze, tiller drive....	1

* Specify GRADE 5 if ordering part locally.

A/R - As Required

BOLO TINES, WHEELS



BOLO TINES, WHEELS

REF No.	PART No.	DESCRIPTION	QTY.	REF No.	PART No.	DESCRIPTION	QTY.
1	1100043	Screw-hex hd., 3/8-16 x 1-1/4*....	16	--	1901118	Replacement set of 16 Bolo Tines-- includes eight each of right hand and left hand tines, and sixteen each of Ref. No.'s 1 and 3.....	1
2	1270-2A	Bolo Tine--single, right hand tine used on left side of tiller (Incl. two of each Ref. No.'s 1 and 3) .	8	9	2706-01	Wheel & Tire Assy--left side, 4.10x6 tire mounted on 6" gray wheel, tubeless pneumatic (10-20 lbs. air required), tractor tread	1
3	1733398	Hex Locknut, 3/8-16	18	10	2706-02	Wheel & Tire Assy--right side, same specs. as above	1
5	1982612	Screw-hex hd., 3/8-16 x 2, GRADE 8.....	2	11	9380	Clevis Pin--.312 x 1-3/4 long	2
7	1270-1A	Bolo Tine--single, left hand tine used on right side of tiller (Incl. two of each Ref. No.'s 1 and 3) .	8	12	9338	Hitch Pin	2
8	1902154001	Tine Holder--for bolo tines, left and right sides.....	2				

CUSTOM TILLING TINES (EXTRA LONG-WEARING)

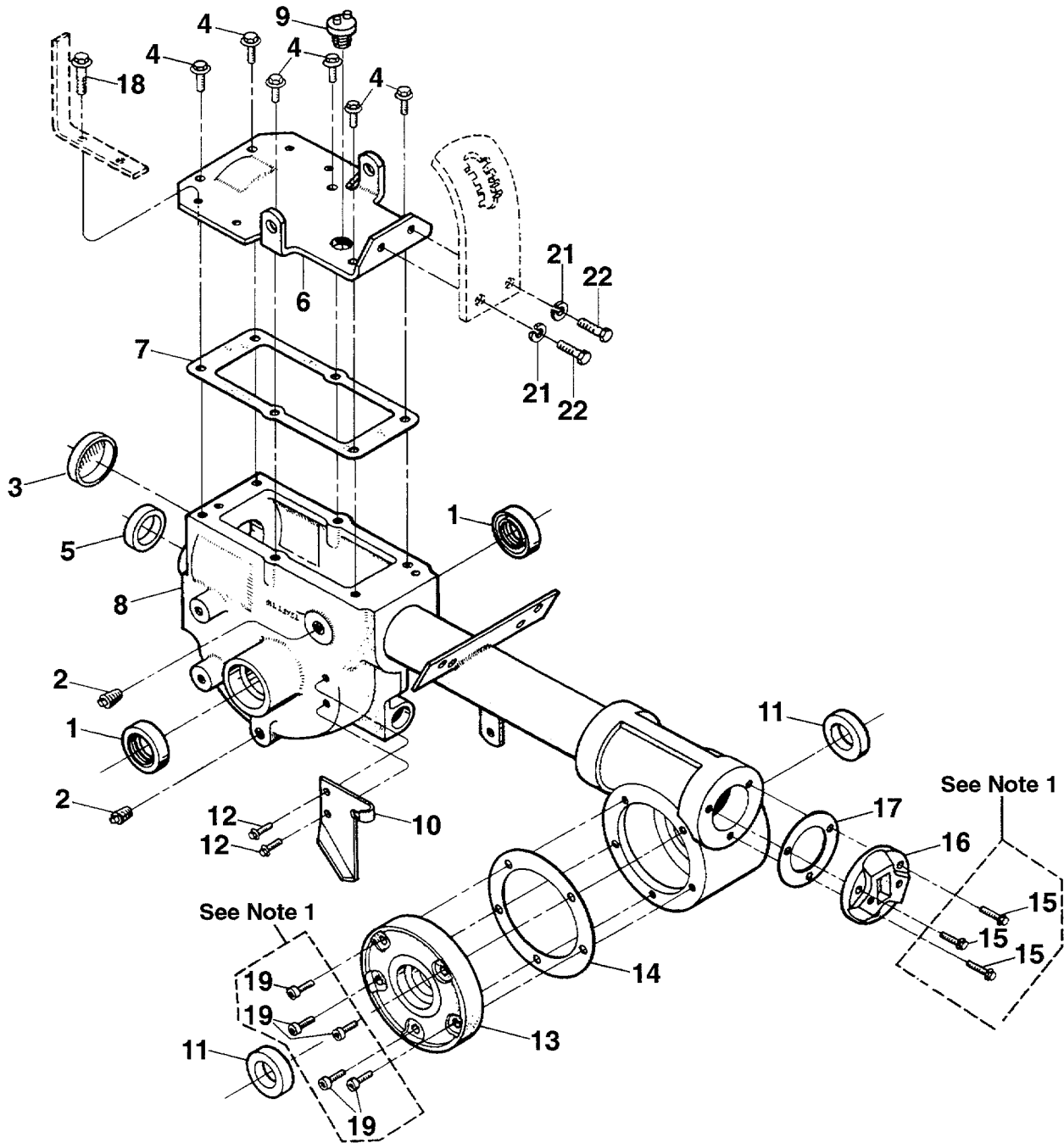
Special hard-faced tines that are thicker than standard tines for use in sandy, gritty soil, when custom tilling or market gardening

REF No.	PART No.	DESCRIPTION	QTY.	REF No.	PART No.	DESCRIPTION	QTY.
10802		Custom Tilling Tine Kit--(Includes 8 #2475-1 bolo tines, 8 #2475-2 bolo tines, 16 #1100043 screws and 16 #1733398 locknuts)	1	2475-1		Bolo Tine, custom tilling, left hand	8
				2475-2		Bolo Tine, custom tilling, right hand	8

IMPORTANT: Left and right sides of tiller are determined by standing in the operator position and facing the direction of forward travel.

* Specify GRADE 5 if ordering part locally.

TRANSMISSION HOUSING, COVERS, SEALS, GASKETS & PLUGS



NOTE 1: THESE SCREWS ARE A SPECIAL SEALING SCREW THAT CAN NOT BE REUSED WITHOUT RISKING THE LOSS OF TRANSMISSION OIL. IF THESE SCREWS ARE LOOSENED OR REMOVED, THEY MUST BE REPLACED WITH NEW HARDWARE.

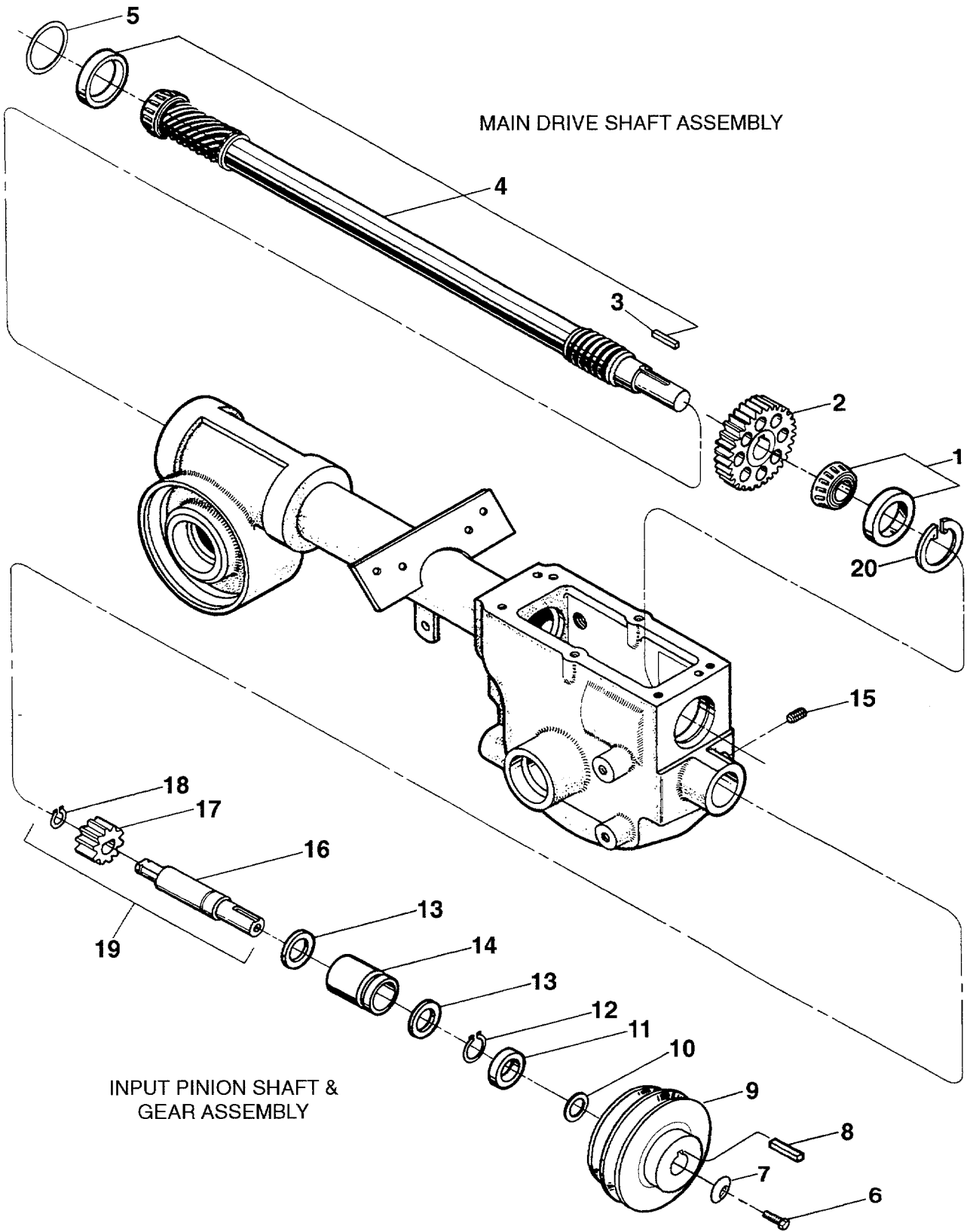
TRANSMISSION HOUSING, COVERS, SEALS, GASKETS & PLUGS

REF No.	PART No.	DESCRIPTION	QTY.	REF No.	PART No.	DESCRIPTION	QTY.
1	9621	Oil Seal—double lip, wheel shaft, right and left sides.....	2	13	1916273001	Cover—tiller housing, left side.....	1
2	9726	Plug—pipe, 1/4, oil level hole and gear oil drain hole.....	2	14	1129-1	Gasket—tiller housing cover, .010 (fits all covers).....	A/R
3	97076	Seal—transmission bore.....	1	15	1915089	Screw Kit: includes three (3) 1/4-20 x 7/8 self-sealing screws.....	A/R
4	1186329	Screw—flanged hex hd., 5/16-18 x 3/4*.....	6	16	1115	Cap—rear bearing.....	1
5	85030	Oil Seal—input pinion shaft.....	1	17	1124-2	Gasket—rear bearing cap, .010 thick.....	A/R
6	11513	Cover—top of transmission (incl. four of Ref. No. 18 and two of each of Ref. No.'s 21 and 22)	1	18	1186331	Screw—flanged hex hd., 5/16-18 x 1*.....	4
7	20694	Gasket—transmission top cover.....	1	19	1915087	Screw Kit: includes five (5) 1/4-20 x 5/8 self-sealing screws.....	A/R
8	1916197001	Transmission case, tube and rear housing assembly.....	1	20	----	This Ref. No. not used	
9	9467	Plug—gear oil fill hole.....	1	21	1100243	Lockwasher—3/8.....	2
10	1916198001	Plate—wheel drive cable mounting.	1	22	1100068	Screw—hex hd., 3/8-16 x 3/4*.....	2
11	97073	Oil Seal—tiller shaft, left and right sides.....	2				
12	90038	Screw—flanged hex hd., 5/16-18 x 5/8*.....	2				

* Specify GRADE 5 if ordering part locally.

A/R – As Required

DRIVE SHAFT, INPUT PINION SHAFT & GEAR ASSEMBLIES



MAINE DRIVE SHAFT, INPUT PINION SHAFT & GEAR ASSEMBLIES

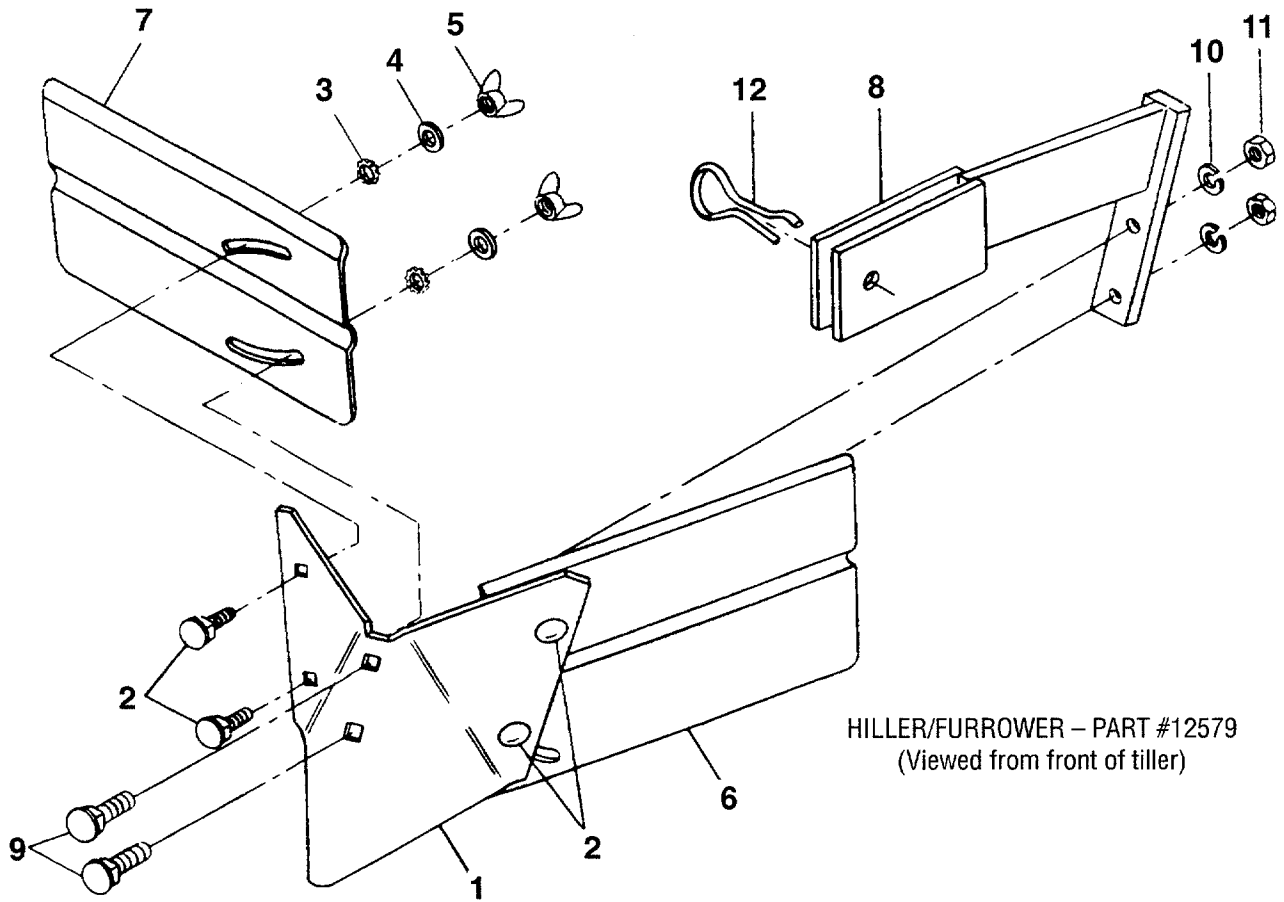
REF No.	PART No.	DESCRIPTION	QTY.	REF No.	PART No.	DESCRIPTION	QTY.
MAIN DRIVE SHAFT				INPUT PINION SHAFT & GEAR ASSEMBLY			
1	1714	Bearing-tapered roller with race..	1	6	9572	Screw-hex hd., 5/16-24 x 1-1/8*	1
2	20718	Gear-spur, main drive shaft.....	1	7	9944	Washer-disc spring (concave surface faces pulley)	1
3	9301	Key-3/16 sq. x 1	1	8	1108841	Key-3/16 sq. x 1-1/2	1
4	11603	Drive Shaft-main drive shaft is one- piece with integral, single-lead work-hardened worm at front to drive the wheel worm gear, and integral six-lead work-hardened worm at rear to drive the tiller gear (also includes pressed-on #1714 rear roller bearing, race for bearing and #9301 key)	1	9	20880	Pulley-transmission drive	1
5	1224-1	Shim-rear bearing cap, .010 thick (see Note 1 below)	A/R	10	1440	Washer-support	1
5	1224-2	Shim-same as above, but .030 thick (see Note 1)	A/R	11	85030	Oil Seal-input pinion shaft, front.	1
5	1224-3	Shim-same as above, but .005 thick (see Note 1)	A/R	12	9500	Ring-retaining (snap ring), external	1
...	1325C	Shim Set-includes the following shims: two 1224-1; two 1224-2; one #1224-3	A/R	13	9953	Washer-thrust	2
				14	9428	Bushing	1
				15	9677	Set Screw-5/16-18 x 3/8*	1
				16	20791	Input Pinion-steel shaft	1
				17	20792	Gear-input pinion	1
				18	9093	Retainer-snap ring, external	1
				19	20799	Pinion Assy-(incl. one each of Ref. No.'s 16, 17 and 18)	A/R
				20	9517	Retainer-snap ring, internal	1

NOTE 1-Shim between drive shaft rear bearing and rear bearing cap to achieve 5-to-10 thousandths of an inch (.005-.010) end play on drive shaft.

A/R - As Required

* Specify GRADE 5 if ordering part locally.

HILLER/FURROWER ATTACHMENT

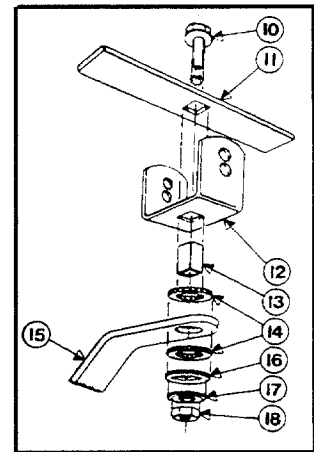
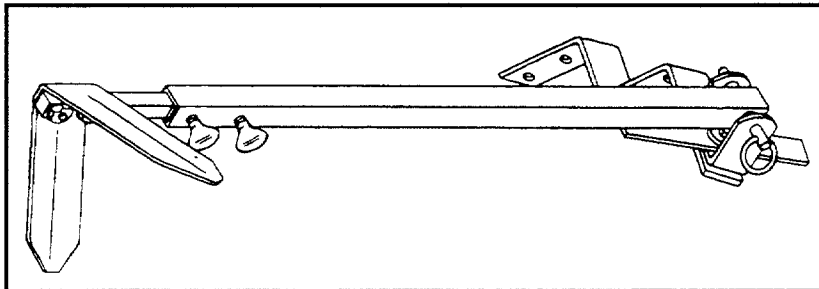
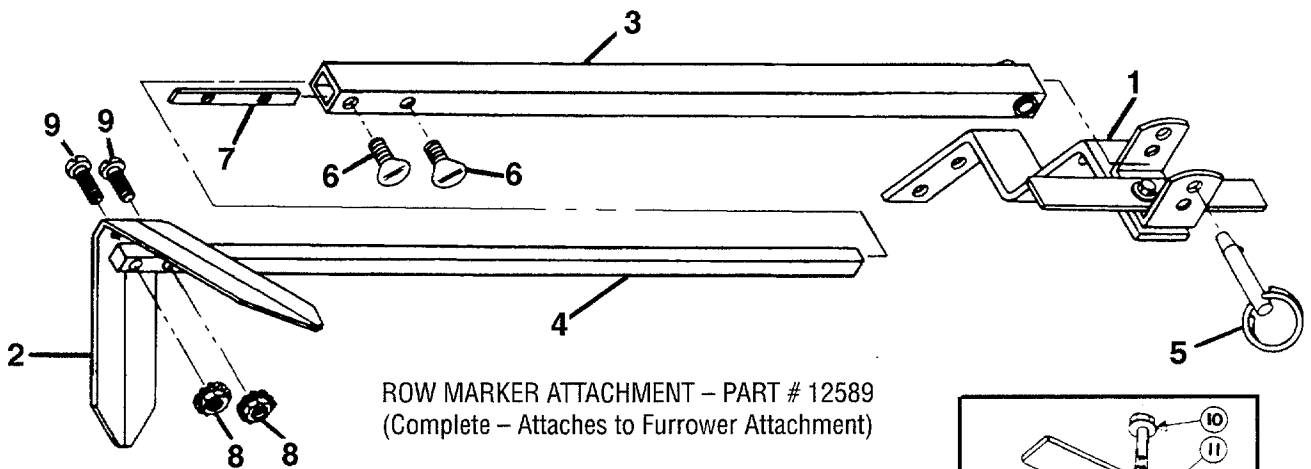


HILLER/FURROWER – PART #12579
(Viewed from front of tiller)

HILLER/FURROWER ATTACHMENT

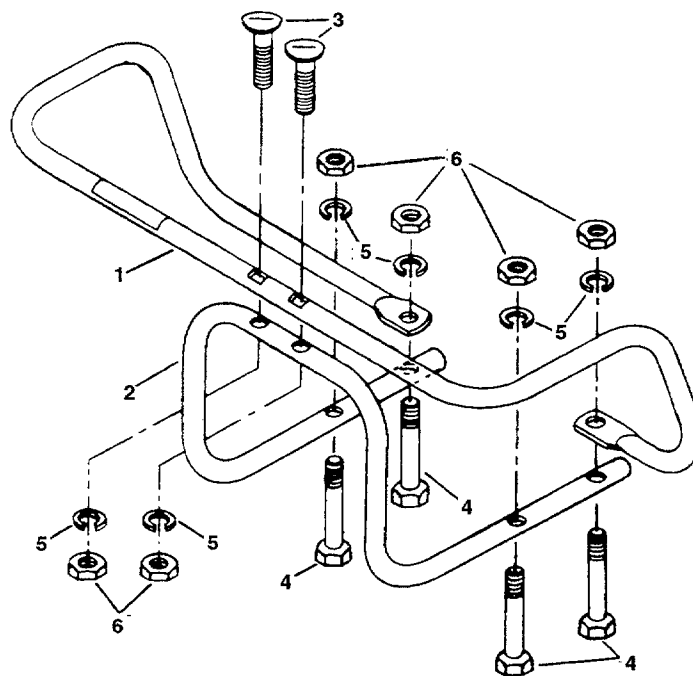
REF No.	PART No.	DESCRIPTION	QTY.	REF No.	PART No.	DESCRIPTION	QTY.
1	1900771001	Furrower-blade only.....	1	9	9725	Carriage Bolt-blade mounting, 3/8-16 x 1-1/2.....	2
2	1186098	Carriage Bolt-5/16-18 x 3/4	4	10	1100243	Lockwasher-3/8, plated	2
3	1177548	Star Washer-external tooth, 5/16	4	11	1186231	Nut-hex, 3/8-16, plated	2
4	9902	Plain Washer-5/16 S.A.E.....	4	12	9318	Pin-clinch.....	1
5	9824	Wing Nut-5/16-18.....	4	--	12579	Hiller/Furrower-complete attachment (owner must bolt blade to mounting bracket, and wings to blade). Instructions included....	1
6	1900773001	Hiller Wing-left.....	1				
7	1900774001	Hiller Wing-right	1				
8	1900772001	Bracket-blade mounting.....	1				

ROW MARKER ATTACHMENT



MAIN SUPPORT & YOKE
ASSEMBLY
PART # 1904522001

BUMPER ATTACHMENT



BUMPER ATTACHMENT PART #12593
(Viewed from front of tiller)

ROW MARKER ATTACHMENT & BUMPER ATTACHMENT

REF No.	PART No.	DESCRIPTION	QTY.	REF No.	PART No.	DESCRIPTION	QTY.
Row Marker Attachment – Part #12589				Row Marker Main Support & Yoke Assembly – Part #1904522001			
1	1904522001	Main Support & Yoke Assy–complete. Incl. Ref. No.'s 10,11,12,13,14,15,16,17 & 18.	1	10	1186349	Screw–hex flanged locking, 3/8-16 x 1-1/2*	1
2	1594	Marker Blade–blade only	1	11	1593	Stop Bar	1
3	1904524001	Marker Arm–main arm	1	12	1592	Yoke	1
4	1904523001	Marker Arm–extension arm with stop pin	1	13	1591	Tube Key–square	1
5	9347	Hitch Pin–(incl. in Hardware Pkg #1837)	1	14	1590	Washer–friction	2
6	9786	Thumbscrew–1/4-20 x 1/2, not avail. sep. (see hardware pkg. #1837)	2	15	1588	Main Support.....	1
7	1596	Nut Bar–(incl. in hardware pkg #1837)	1	16	1589	Washer–square hole.....	1
8	9828	Nut–hex, 10-24 w/attached start washers, not avail. sep. (see hardware pkg #1837).....	2	17	9925	Washer–disc spring.....	1
9	1100135	Screw–round hd., 10-24 x 1, not avail. sep. (see hardware pkg #1837)	2	18	1186231	Nut–hex 3/8-16	1
---	1837	Hardware Package–includes: one #9347 hitch pin (Ref. 5), two #9786 thumbscrews (Ref. 6), one #1596 nut bar (Ref. 7), two #9828 hex nuts (Ref. 8), two 1100135screws (Ref. 9)....	1	Bumper Attachment – Part #12593			
---	12582	Row Marker Attachment & Pony Hiller/Furrower Attachment – complete: incl. #12579 Pony Hiller/Furrower and #12589 Row Marker	1	19	1904757001	Bumper–top section	1
---	12589	Row Marker Attachment – complete: attaches to furrower attachment #12579, includes #1904522001 Main Support & Yoke Assy.....	1	20	1904758001	Bumper–bottom section	1
				21	1731025	Bolt–curved head, 5/16-18 x 2 (special bolt); also see #1915811 hardware kit	2
				22	1111608	Bolt–hex hd., 5/16-18 x 2-1/2*, not avail. separately (order #1915811 hardware kit	4
				23	1100242	Lockwasher–5/16, not avail. separately (order #1915811 hardware kit	6
				24	1186230	Nut–hex, 5/16-18, not avail. separately (order #1915811 hardware kit	6
				---	1915811	Hardware Kit: two #1731025 curved head bolts; four #1111608 hex hd. bolts; six #1100242 lock- washers; six #1186230 hex nuts	1

Note: Common hardware listed above as “not available separately” can be easily found at most good, local hardware stores.

* Specify GRADE 5 if ordering part locally.

Parts Ordering Information

For service or parts for your unit or engine:

For service assistance or parts, contact your local authorized dealer or call or write to the factory. When ordering parts, be sure to provide the following:

- Serial number and model number of your unit.
- Part number of the part needed.
- Part description.
- Quantity needed.

For engine service or parts, contact your local authorized engine dealer. Look in the Yellow Pages of the phone book under "Engines-Gasoline" for the name of local authorized engine dealers. An authorized engine dealer can handle all parts, repairs, and warranty service concerning the engine.

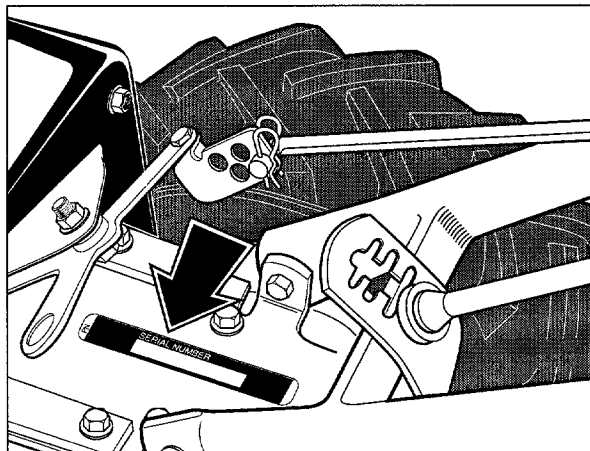
NOTE: Some parts on your engine are exclusive to this unit and may not be available from the engine dealer. Refer to the engine drawings in this catalog to identify and order these exclusive parts.

Record your unit's model number and serial number:

When requesting service or parts from the factory or your local authorized dealer, be sure to provide the information on the unit's model/serial number decal. The location of this decal is pointed out by the arrow in the illustration below.

Model Number: _____

Serial Number: _____



CAUTION

We urge that you use only genuine replacement parts, which meet all of the latest requirements. Replacement parts manufactured by others could present safety hazards, even though they may fit on this product!

IMPORTANT:

All of our genuine replacement parts must conform to rigid quality specifications. Some replacement parts we provide may vary slightly in shape, color or texture from the original parts, but these slight variations will not affect unit performance.

NOTE: LEFT and RIGHT sides of the unit are determined by standing behind the handlebars and facing the direction of forward travel.

For customer assistance, contact your nearest authorized dealer or:

GARDEN WAY INCORPORATED • 1 Garden Way • Troy, New York 12180
Customer Service: 1-800-437-8686 • Technical Service: 1-800-520-5520 • Parts Service: 1-800-648-6776
• FAX: (518) 391-7332

Outside the United States and Canada:
Customer Service: (518) 391-7007 • Technical Service: (518) 391-7008 • Parts Service: (518) 391-7006
• FAX (518) 391-7332

Free Manuals Download Website

<http://myh66.com>

<http://usermanuals.us>

<http://www.somanuals.com>

<http://www.4manuals.cc>

<http://www.manual-lib.com>

<http://www.404manual.com>

<http://www.luxmanual.com>

<http://aubethermostatmanual.com>

Golf course search by state

<http://golfingnear.com>

Email search by domain

<http://emailbydomain.com>

Auto manuals search

<http://auto.somanuals.com>

TV manuals search

<http://tv.somanuals.com>