



RHO-9054

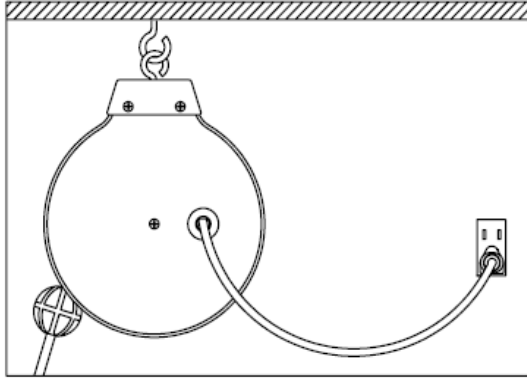
45' Metal Retractable Reel with 13W Angle Light



Features

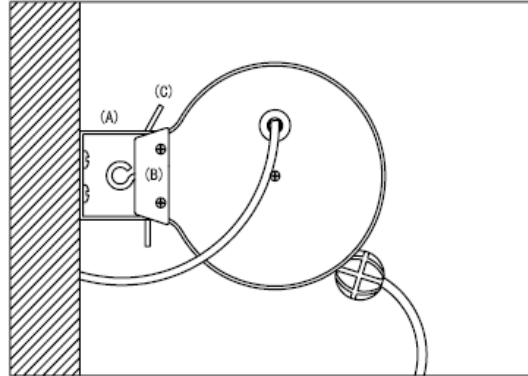
Reel:

- 45ft 18/2 SJTOW cable.
- 360° top swivel hook
- Metal reel housing with 13W angle light



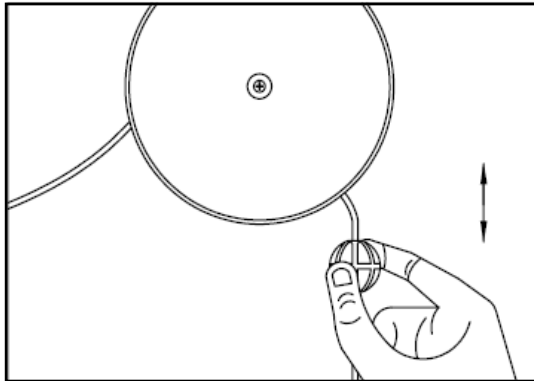
Instructions for ceiling mount:

- Select a dry, indoor location within 2' of an electrical outlet
- Screw the hanger hook into the ceiling stud
- Hang reel on hook
- Close hook with pliers to keep reel from coming off
- Adjust ball stop to desired length
- Plug power cord into outlet



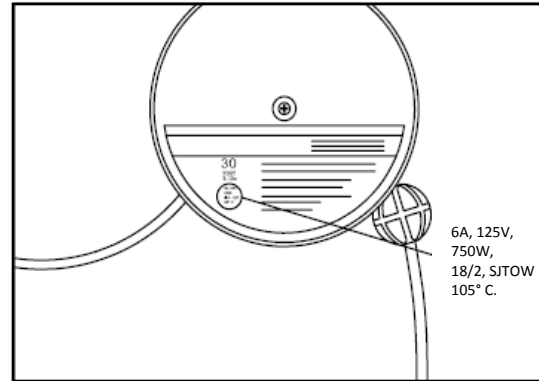
Instructions for wall mount:

- Select a dry, indoor location within 2' of an electrical outlet
- Use wall mount (A) to secure reel to wall
- Place hanger bracket (B) inside wall mount (A) lining up small hole in bracket
- Insert locking pin (C) through aligned holes
- Plug power cord into outlet



Operating instructions:

- Plug into any 110 – 120 grounded VAC outlet
- Fully extend and lock cord before use
- If cord does not lock, pull slowly stopping every 4 inches or so. To retract cord, pull out 2-4 inches and release cord slowly.
- Slide ball stop up and down cord to keep cord where you want it

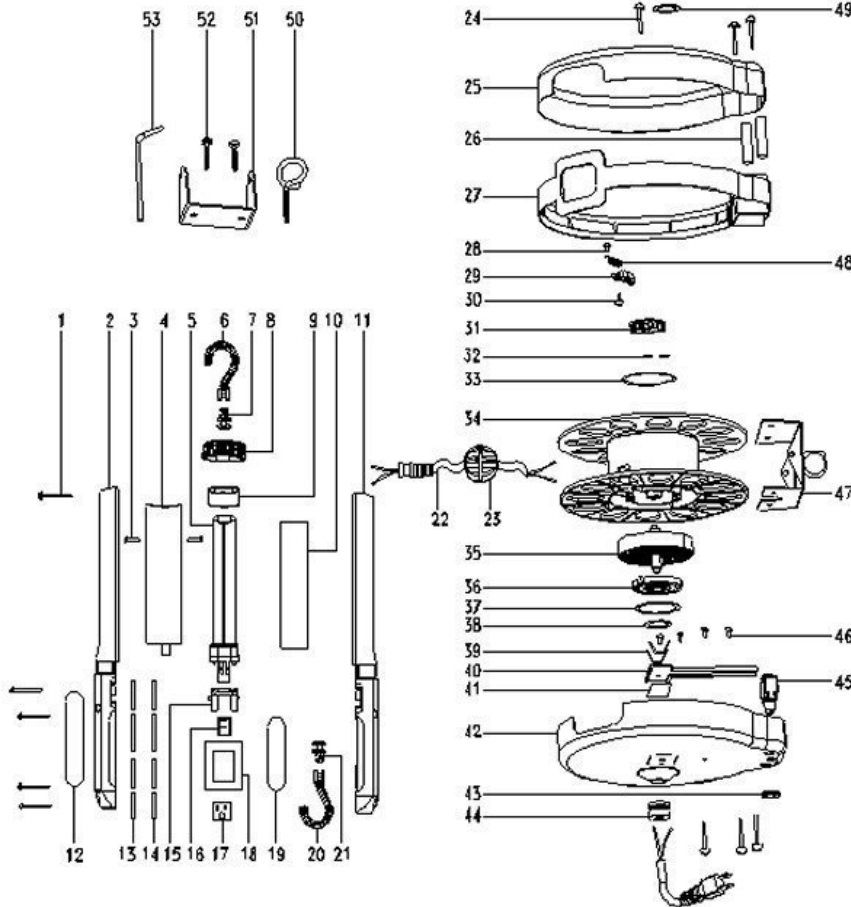


Warnings:

- Do not use in wet conditions or places
- Disconnect power before servicing
- Always store indoors
- Do not allow cord to fly back into the reel unrestricted
- Do not overload circuit



RHO-9054



ITEM#	ORDERING PART#	PART DESCRIPTION
1	PRT9054-01	SCREW BA3 2X25
2	PRT9054-02	LEFT HANDLE
3	PRT9054-03	SCREW FA3X9
4	PRT9054-04	CLEAR LENS
5	EIKDT1341	BULB
6	PRT9054-06	HOOK A
7	PRT9054-07	HOLDER HOOK A
8	PRT9054-08	BULB BRACKET
9	PRT9054-09	FRONT TESSERA
10	PRT9054-10	REFLECTOR PAPER
11	PRT9054-11	HANDLE RIGHT
12	PRT9054-12	FRONT HANDLE PROTECTOR
13	PRT9054-13	WIRE BLACK
14	PRT9054-14	WIRE WHITE
15	PRT9054-15	LAMP HOLDER
16	PRT9054-16	SWITCH
17	PRT9054-17	OUTLET
18	PRT9054-18	BALLAST
19	PRT9054-19	BACK TESSERA
20	PRT9054-20	HOOK B
21	PRT9054-21	HOLDER HOOK B
22	PRT9054-22	POWER CORD
23	PRT9054-23	BALL STOP
24	PRT9054-24	SCREW BM5X10.5
25	PRT9054-25	METAL COVER TOP
26	PRT9054-26	BRACKET SHAFT
27	PRT9054-27	REEL BAND

ITEM#	ORDERING PART#	PART DESCRIPTION
28	PRT9054-28	SCREW BA2.6X6
29	PRT9054-29	PALLET
30	PRT9054-30	RIVET Φ10.0X11.6
31	PRT9054-31	RATCHET WHEEL
32	PRT9054-32	WASHER Φ5X0.5
33	PRT9054-33	RING A
34	PRT9054-34	REEL SPOOL
35	PRT9054-35	SPRING A
36	PRT9054-36	CONTACT BOARD
37	PRT9054-37	RING B
38	PRT9054-38	RING C
39	PRT9054-39	COPPER SPRING
40	PRT9054-40	FIXED BOARD
41	PRT9054-41	PAPER
42	PRT9054-42	METAL COVER BOTTOM
43	PRT9054-43	CIRCUIT BREAKER SCREW
44	PRT9054-44	WIRE CLIP
45	PRT9054-45	CIRCUIT BREAKER
46	PRT9054-46	RIVET Φ3X5
47	PRT9054-47	BRACKET
48	PRT9054-48	SPRING B
49	PRT9054-49	WASHER Φ25X1.2
50	PRT9054-50	HOOK
51	PRT9054-51	"U" SHAPE BRACKET
52	PRT9054-52	SCREW BA5X35
53	PRT9054-53	BRACKET PIN

Free Manuals Download Website

<http://myh66.com>

<http://usermanuals.us>

<http://www.somanuals.com>

<http://www.4manuals.cc>

<http://www.manual-lib.com>

<http://www.404manual.com>

<http://www.luxmanual.com>

<http://aubethermostatmanual.com>

Golf course search by state

<http://golfingnear.com>

Email search by domain

<http://emailbydomain.com>

Auto manuals search

<http://auto.somanuals.com>

TV manuals search

<http://tv.somanuals.com>