

**BUILT-IN OVEN  
FOUR ENCASTRABLE  
INTEGRIERTER OFEN**

**BEO 9770**

**Gebrauchsanleitung**

**Blomberg**

## Please read this user manual first!

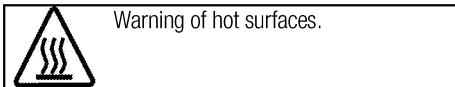
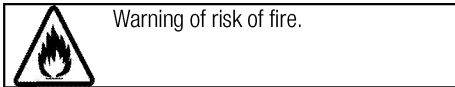
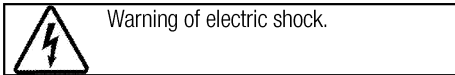
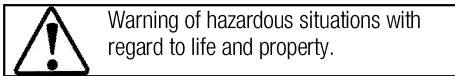
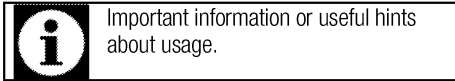
Dear Customer,

Thank you for purchasing this Blomberg product. We hope that you get the best results from your product which has been manufactured with high quality and state-of-the-art technology. Therefore, please read this entire user manual and all other accompanying documents carefully before using the product and keep it as a reference for future use. If you handover the product to someone else, give the user manual as well. Follow all warnings and information in the user manual.

Remember that this user manual is also applicable for several other models. Differences between models will be identified in the manual.

### Explanation of symbols

Throughout this user manual the following symbols are used:



**Arçelik A.Ş.**  
Karaağaç caddesi No:2-6  
34445 Sütlüce/Istanbul/TURKEY  
Made in TURKEY

## TABLE OF CONTENTS

### **1 Important instructions and warnings for safety and environment 4**

General safety.....	4
Electrical safety.....	4
Product safety.....	5
Intended use.....	6
Safety for children.....	6
Disposing of the old product.....	7
Package information.....	7

### **2 General information 8**

Overview.....	8
Package contents.....	9
Technical specifications.....	10

### **3 Installation 11**

Before installation.....	11
Installation and connection.....	13
Future Transportation.....	15

### **4 Preparation 16**

Tips for saving energy.....	16
Initial use.....	16
Time setting.....	16
First cleaning of the appliance.....	17
Initial heating.....	17

### **5 How to operate the oven 18**

General information on baking, roasting and grilling.....	18
How to operate the electric oven.....	18
Operating modes.....	20
How to operate the oven control unit.....	22
Using the keylock.....	23
Using the clock as an alarm.....	23
Cooking times table.....	25
How to operate the grill.....	27
Cooking times table for grilling.....	27

### **6 Maintenance and care 28**

General information.....	28
Cleaning the control panel.....	28
Cleaning the oven.....	28
Removing the oven door.....	29
Removing the door inner glass.....	30
Replacing the oven lamp.....	31

### **7 Troubleshooting 32**

## **1 Important instructions and warnings for safety and environment**

This section contains safety instructions that will help protect from risk of personal injury or property damage. Failure to follow these instructions shall void any warranty.

### **General safety**

- This appliance can be used by children aged from 8 years and above and persons with reduced physical, sensory or mental capabilities or lack of experience and knowledge if they have been given supervision or instruction concerning use of the appliance in a safe way and understand the hazards involved.  
Children shall not play with the appliance. Cleaning and user maintenance shall not be made by children without supervision.
- Installation and repair procedures must always be performed by Authorized Service Agents. The manufacturer shall not be held responsible for damages arising from procedures carried out by unauthorized persons which may also void the warranty. Before installation, read the instructions carefully.
- Do not operate the product if it is defective or has any visible damage.

- Control that the product function knobs are switched off after every use.

### **Electrical safety**

- If the product has a failure, it should not be operated unless it is repaired by the Authorized Service Agent. There is the risk of electric shock!
- Only connect the product to a grounded outlet/line with the voltage and protection as specified in the “Technical specifications”. Have the grounding installation made by a qualified electrician while using the product with or without a transformer. Our company shall not be liable for any problems arising due to the product not being earthed in accordance with the local regulations.
- Never wash the product by spreading or pouring water onto it! There is the risk of electric shock!
- The product must be unplugged during installation, maintenance, cleaning and repairing procedures.
- If the power connection cable for the product is damaged, it must be replaced by the manufacturer, its service agent or similiary

qualified persons in order to avoid a hazard.

- The appliance must be installed so that it can be completely disconnected from the network. The separation must be provided either by a mains plug, or a switch built into the fixed electrical installation, according to construction regulations.
- Rear surface of the oven gets hot when it is in use. Make sure that the electrical connection does not contact the rear surface; otherwise, connections can get damaged.
- Do not trap the mains cable between the oven door and frame and do not route it over hot surfaces. Otherwise, cable insulation may melt and cause fire as a result of short circuit.
- Any work on electrical equipment and systems should only be carried out by authorized and qualified persons.
- In case of any damage, switch off the product and disconnect it from the mains. To do this, turn off the fuse at home.
- Make sure that fuse rating is compatible with the product.

### **Product safety**

- The appliance and its accessible parts become hot during use. Care should be taken to avoid

touching heating elements.

Children less than 8 years of age shall be kept away unless continuously supervised.

- Never use the product when your judgment or coordination is impaired by the use of alcohol and/or drugs.
- Be careful when using alcoholic drinks in your dishes. Alcohol evaporates at high temperatures and may cause fire since it can ignite when it comes into contact with hot surfaces.
- Do not place any flammable materials close to the product as the sides may become hot during use.
- During use the appliance becomes hot. Care should be taken to avoid touching heating elements inside the oven.
- Keep all ventilation slots clear of obstructions.
- Do not heat closed tins and glass jars in the oven. The pressure that would build-up in the tin/jar may cause it to burst.
- Do not place baking trays, dishes or aluminium foil directly onto the bottom of the oven. The heat accumulation might damage the bottom of the oven.
- Do not use harsh abrasive cleaners or sharp metal scrapers to clean the oven door glass since

they can scratch the surface, which may result in shattering of the glass.

- Do not use steam cleaners to clean the appliance as this may cause an electric shock.
- Use the shelves as described in "How to operate the electric oven".
- Do not use the product if the front door glass removed or cracked.
- Oven handle is not towel dryer. Do not hang up towel, gloves, or similar textile products when the grill function is at open door.
- Always use heat resistant oven gloves when putting in or removing dishes into/from the hot oven.
- Ensure that the appliance is switched off before replacing the lamp to avoid the possibility of electric shock.

For the reliability of the fire of the product;

- Make sure the plug is fitting to socket as well for not cause to spark.
- Do not use damaged or cutted or extension cable except the original cable.
- Make sure that not whether liquid or moisture on the socket is plugged to product .

## **Intended use**

- This product is designed for domestic use. Commercial use will void the guarantee.
- This appliance is for cooking purposes only. It must not be used for other purposes, for example room heating.
- This product should not be used for warming the plates under the grill, drying towels, dish cloths etc. by hanging them on the oven door handles. This product should also not be used for room heating purposes.
- The manufacturer shall not be liable for any damage caused by improper use or handling errors.
- The oven can be used for defrosting, baking, roasting and grilling food.

## **Safety for children**

- Accessible parts may become hot during use. Young children should be kept away.
- The packaging materials will be dangerous for children. Keep the packaging materials away from children. Please dispose of all parts of the packaging according to environmental standards.
- Electrical products are dangerous to children. Keep children away from the product when it is operating and do not allow them to play with the product.

- Do not place any items above the appliance that children may reach for.
- When the door is open, do **not** load any heavy object on it and do **not** allow children to sit on it. It may overturn or door hinges may get damaged.

### **Disposing of the old product Compliance with the WEEE Directive and Disposing of the Waste Product:**



This product complies with EU WEEE Directive (2012/19/EU). This product bears a classification symbol for waste electrical and electronic equipment (WEEE).

This product has been manufactured with high quality parts and materials which can be reused and are suitable for recycling. Do not dispose of the waste product with normal domestic

and other wastes at the end of its service life. Take it to the collection center for the recycling of electrical and electronic equipment. Please consult your local authorities to learn about these collection centers.

### **Compliance with RoHS Directive:**

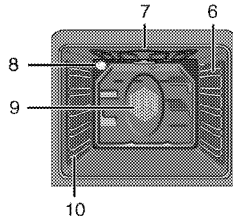
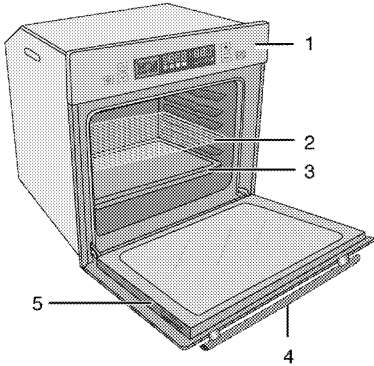
The product you have purchased complies with EU RoHS Directive (2011/65/EU). It does not contain harmful and prohibited materials specified in the Directive.

### **Package information**

- Packaging materials of the product are manufactured from recyclable materials in accordance with our National Environment Regulations. Do not dispose of the packaging materials together with the domestic or other wastes. Take them to the packaging material collection points designated by the local authorities.

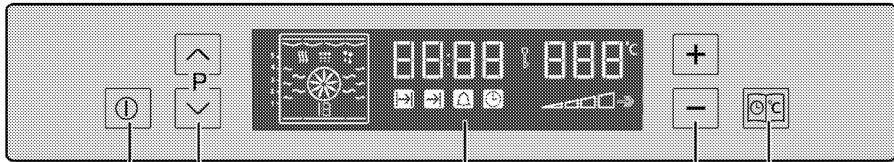
## 2 General information

### Overview



- 1 Control panel
- 2 Wire shelf
- 3 Tray
- 4 Handle
- 5 Door

- 6 Shelf positions
- 7 Top heating element
- 8 Lamp
- 9 Fan motor (behind steel plate)
- 10 Surf side wall



- 1 ON/OFF key
- 2 Program selection key
- 3 Display
- 4 Temperature-time increase/decrease key
- 5 Menu key



## Package contents

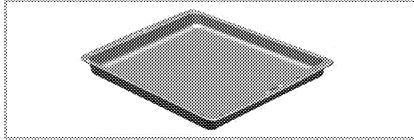


Accessories supplied can vary depending on the product model. Not every accessory described in the user manual may exist on your product.

1. **User manual**

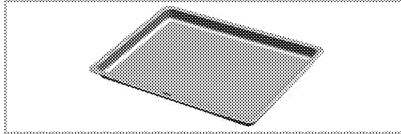
2. **Oven tray**

Used for pastries, frozen foods and big roasts.



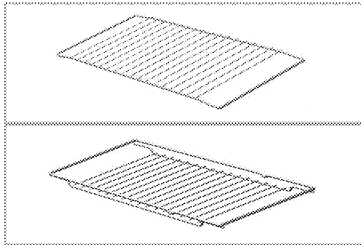
3. **Cake tray**

Used for pastries such as cookies and biscuits.



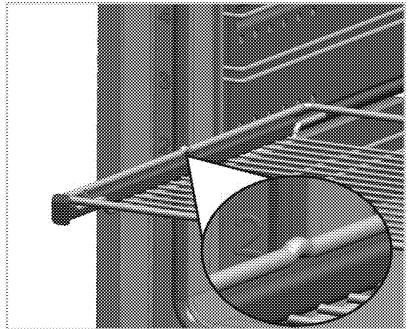
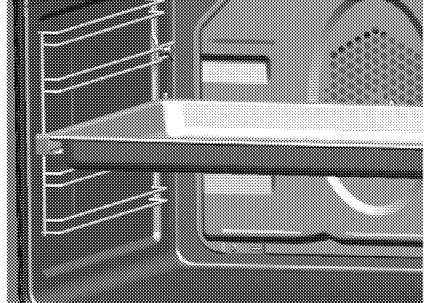
4. **Wire Shelf**

Used for roasting and for placing the food to be baked, roasted or cooked in casserole dishes to the desired rack.



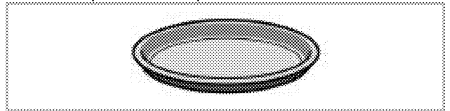
5. **Placing the wire shelf and tray onto the telescopic racks properly**

Telescopic racks allow you to install and remove the trays and wire shelf easily. When using the tray and wire shelf with telescopic racks, make sure that the pins at the rear section of the telescopic rack stands against the edges of the wire shelf and tray.



6. **Pizza tray**

Used for pizzas and pastries.



## Technical specifications

Voltage / frequency	220-240 V ~ 50 Hz
Total power consumption	3.1 kW
Fuse	min. 16 A
Cable type / section	H05VV-FG 3 x 1,5 mm <sup>2</sup>
Cable length	max. 2 m
External dimensions (height / width / depth)	595 mm/594 mm/567 mm
Installation dimensions (height / width / depth)	**590 or 600 mm/560 mm/min. 550 mm
Main oven	<b>Multifunction oven</b>
Energy efficiency class*	A
Inner lamp	15/25 W
Grill power consumption	2.2 kW

# Basics: Information on the energy label of electrical ovens is given in accordance with the EN 50304 standard. Those values are determined under standard load with bottom-top heater or fan assisted heating (if any) functions.

Energy efficiency class is determined in accordance with the following prioritization depending on whether the relevant functions exist on the product or not. 1-Cooking with eco-fan, 2- Turbo slow cooking, 3- Turbo cooking, 4- Fan assisted bottom/top heating, 5- Top and bottom heating.

\*\* See. *Installation, page 11.*



Technical specifications may be changed without prior notice to improve the quality of the product.



Figures in this manual are schematic and may not exactly match your product.



Values stated on the product labels or in the documentation accompanying it are obtained in laboratory conditions in accordance with relevant standards. Depending on operational and environmental conditions of the product, these values may vary.

### 3 Installation

Product must be installed by a qualified person in accordance with the regulations in force. The manufacturer shall not be held responsible for damages arising from procedures carried out by unauthorized persons which may also void the warranty.



Preparation of location and electrical installation for the product is under customer's responsibility.



#### DANGER:

The product must be installed in accordance with all local electrical regulations.



#### DANGER:

Prior to installation, visually check if the product has any defects on it. If so, do not have it installed.  
Damaged products cause risks for your safety.

### Before installation

The appliance is intended for installation in commercially available kitchen cabinets. A safety distance must be left between the appliance and the kitchen walls and furniture. See figure (values in mm).

- Surfaces, synthetic laminates and adhesives used must be heat resistant (100 °C minimum).
- Kitchen cabinets must be set level and fixed.
- If there is a drawer beneath the oven, a shelf must be installed between oven and drawer.
- Carry the appliance with at least two persons.



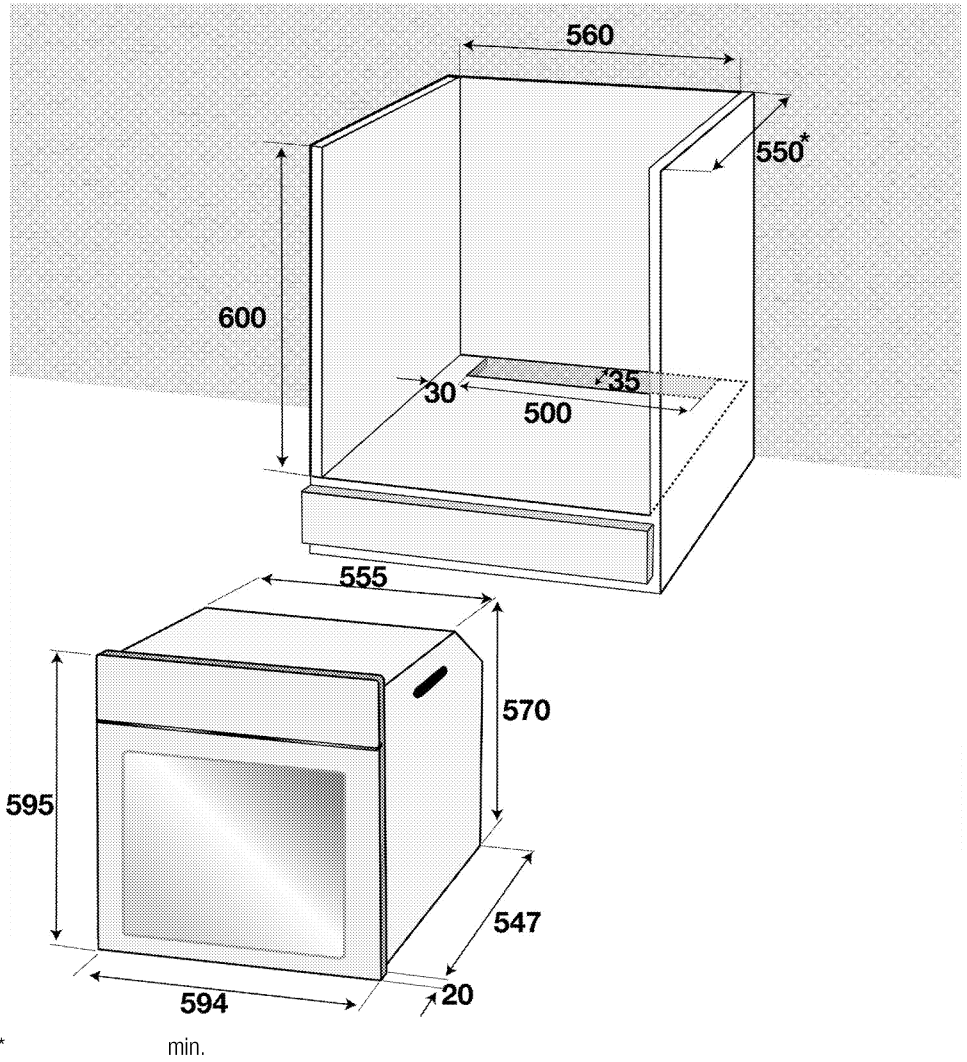
Do not install the appliance next to refrigerators or freezers. The heat emitted by the appliance will lead to an increased energy consumption of cooling appliances.

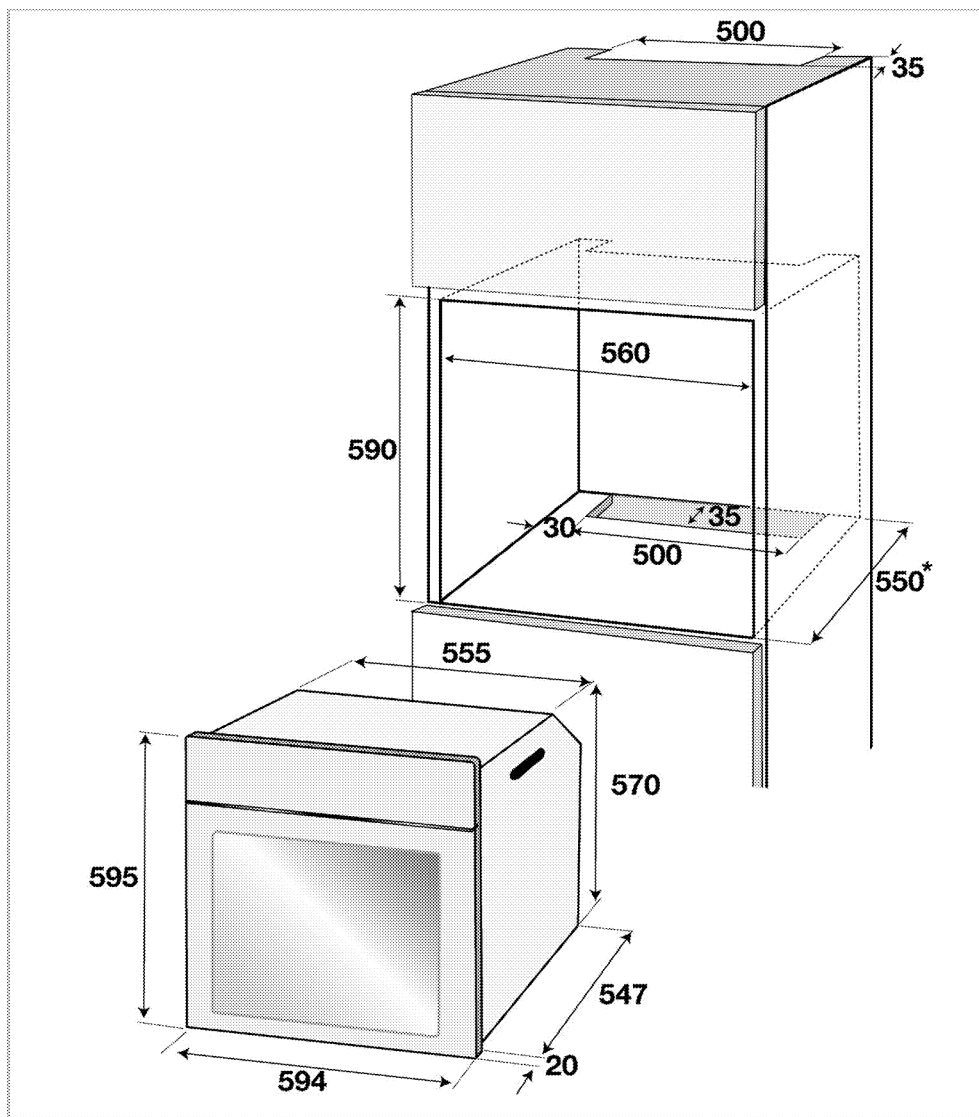


The door and/or handle must not be used for lifting or moving the appliance.



If the appliance has wire handles, push the handles back into the side walls after moving the appliance.





\* min.

## Installation and connection

- Product can only be installed and connected in accordance with the statutory installation rules.

### Electrical connection

Connect the product to a grounded outlet/line protected by a fuse of suitable capacity as stated in the "Technical specifications" table. Have the grounding installation made by a qualified

electrician while using the product with or without a transformer. Our company shall not be liable for any damages that will arise due to using the product without a grounding installation in accordance with the local regulations.

**DANGER:**

The product must be connected to the mains supply only by an authorised and qualified person. The product's warranty period starts only after correct installation.

Manufacturer shall not be held responsible for damages arising from procedures carried out by unauthorised persons.

**DANGER:**

The power cable must not be clamped, bent or trapped or come into contact with hot parts of the product.

A damaged power cable must be replaced by a qualified electrician. Otherwise, there is risk of electric shock, short circuit or fire!

- Connection must comply with national regulations.
- The mains supply data must correspond to the data specified on the type label of the product. Open the front door to see the type label.
- Power cable of your product must comply with the values in "Technical specifications" table.

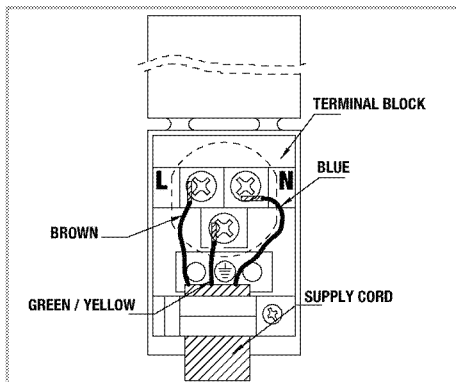
**DANGER:**

Before starting any work on the electrical installation, disconnect the product from the mains supply. There is the risk of electric shock!

**Connecting the power cable**

1. If it is not possible to disconnect all poles in the supply power, a disconnection unit with at least 3 mm contact clearance (fuses, line safety switches, contactors) must be connected and all the poles of this disconnection unit must be adjacent to (not above) the product in accordance with IEE directives. Failure to obey this instruction may cause operational problems and invalidate the product warranty.

Additional protection by a residual current circuit breaker is recommended.

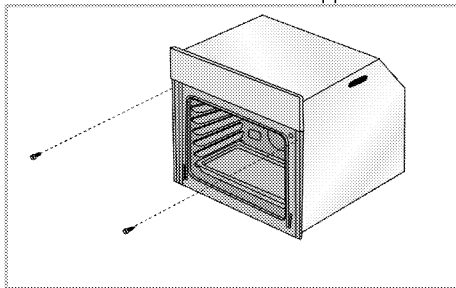
**If a cable is supplied with the product:**

2. **For single-phase connection**, connect the wires as identified below:

- Brown/Black cable = L (Phase)
- Blue/Grey cable = N (Neutral)
- Green/yellow cable = (E)  $\frac{1}{\equiv}$  (Ground)

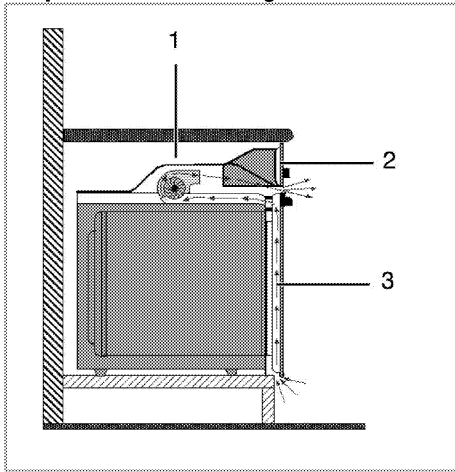
**Installing the product**

1. Slide the oven into the cabinet, align and secure it while making sure that the power cable is not broken and/or trapped.



Secure the oven with 2 screws as illustrated.

## For products with cooling fan



- 1 Cooling fan
- 2 Control panel
- 3 Door

The built-in cooling fan cools both the built-in cabinet and the front of the product.

**i** Cooling fan continues to operate for about 20-30 minutes after the oven is switched off.

## Final check

1. Plug in the power cable and switch on the product's fuse.
2. Check the functions.

## Future Transportation

- Keep the product's original carton and transport the product in it. Follow the instructions on the carton. If you do not have the original carton, pack the product in bubble wrap or thick cardboard and tape it securely.
- To prevent the wire grill and tray inside the oven from damaging the oven door, place a strip of cardboard onto the inside of the oven door that lines up with the position of the trays. Tape the oven door to the side walls.
- Do not use the door or handle to lift or move the product.

**i** Do not place any objects onto the product and move it in upright position.

**i** Check the general appearance of your product for any damages that might have occurred during transportation.

## 4 Preparation

### Tips for saving energy

The following information will help you to use your appliance in an ecological way, and to save energy:

- Use dark coloured or enamel coated cookware in the oven since the heat transmission will be better.
- While cooking your dishes, perform a preheating operation if it is advised in the user manual or cooking instructions.
- Do not open the door of the oven frequently during cooking.
- Try to cook more than one dish in the oven at the same time whenever possible. You

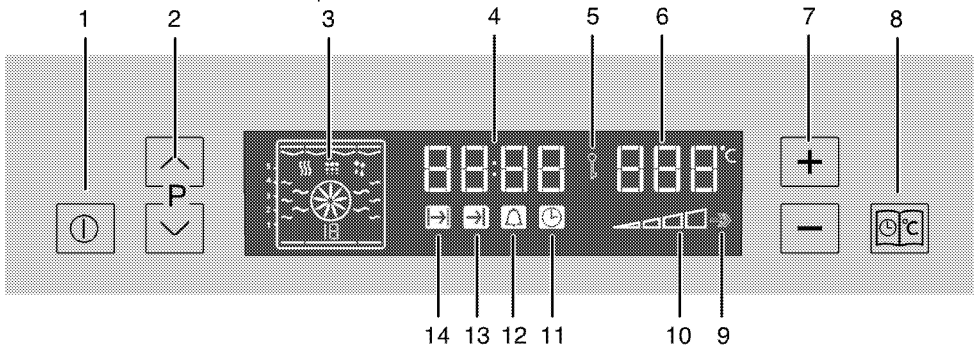
can cook by placing two cooking vessels onto the wire shelf.

- Cook more than one dish one after another. The oven will already be hot.
- You can save energy by switching off your oven a few minutes before the end of the cooking time. Do not open the oven door.
- Defrost frozen dishes before cooking them.

### Initial use

#### Time setting

1. Clock symbol '11' is activated when the oven is operated for the first time. Press „+“ or „-“ (7) keys lightly to set the time.



- 1 ON/OFF key
- 2 Program selection key
- 3 Function display
- 4 Current time indicator field
- 5 Keylock symbol
- 6 Temperature indicator field
- 7 Temperature-Time Adjustment key (+ and -)
- 8 Menu key
- 9 Booster symbol (rapid pre-heating)
- 10 Oven Inner Temperature symbol
- 11 Clock symbol
- 12 Alarm symbol
- 13 End of Cooking Time symbol
- 14 Cooking Time symbol

**i** If the current time is not set, time setting will start increasing up from **12:00**. Clock icon '11' will remain lit to indicate that the current time has not been set. This icon will disappear once the time is set.

#### Adjust the time afterwards

1. Press Menu key (8) with short intervals until Clock symbol (11) is activated.
2. Press „+“ or „-“ (7) slightly to set the time.

**i** Current time settings are cancelled in case of power failure. It needs to be readjusted. Current time can not be changed when any of the oven functions is in use.



## First cleaning of the appliance



The surface might get damaged by some detergents or cleaning materials.

Do not use aggressive detergents, cleaning powders/creams or any sharp objects during cleaning.

Do not use harsh abrasive cleaners or sharp metal scrapers to clean the oven door glass since they can scratch the surface, which may result in shattering of the glass.

1. Remove all packaging materials.
2. Wipe the surfaces of the appliance with a damp cloth or sponge and dry with a cloth.

## Initial heating

Heat up the product for about 30 minutes and then switch it off. Thus, any production residues or layers will be burnt off and removed.



### WARNING

Hot surfaces cause burns!

Product may be hot when it is in use. Never touch the hot burners, inner sections of the oven, heaters and etc. Keep children away. Always use heat resistant oven gloves when putting in or removing dishes into/from the hot oven.

## Electric oven

1. Take all baking trays and the wire grill out of the oven.
2. Close the oven door.
3. Select Static position.
  1. Select the highest oven power; See *How to operate the electric oven, page 18*.
  2. Operate the oven for about 30 minutes.
  3. Turn off your oven; See *How to operate the electric oven, page 18*

## Grill oven

1. Take all baking trays and the wire grill out of the oven.
2. Close the oven door.
3. Select the highest grill power; see *How to operate the grill, page 27*.
4. Operate the grill about 30 minutes.
5. Turn off your grill; see *How to operate the grill, page 27*



Smoke and smell may emit for a couple of hours during the initial operation. This is quite normal. Ensure that the room is well ventilated to remove the smoke and smell. Avoid directly inhaling the smoke and the smell that emits.

## 5 How to operate the oven

### General information on baking, roasting and grilling



#### WARNING

Hot surfaces cause burns!

Product may be hot when it is in use. Never touch the hot burners, inner sections of the oven, heaters and etc. Keep children away. Always use heat resistant oven gloves when putting in or removing dishes into/from the hot oven.



#### DANGER:

Be careful when opening the oven door as steam may escape. Exiting steam can scald your hands, face and/or eyes.

#### Tips for baking

- Use non-sticky coated appropriate metal plates or aluminum vessels or heat-resistant silicone moulds.
- Make best use of the space on the rack.
- Place the baking mould in the middle of the shelf.
- Select the correct rack position before turning the oven or grill on. Do not change the rack position when the oven is hot.
- Keep the oven door closed.

#### Tips for roasting

- Treating whole chicken, turkey and large piece of meat with dressings such as lemon juice and black pepper before cooking will increase the cooking performance.
- It takes about 15 to 30 minutes longer to roast meat with bones when compared to roasting the same size of meat without bones.
- Each centimeter of meat thickness requires approximately 4 to 5 minutes of cooking time.
- Let meat rest in the oven for about 10 minutes after the cooking time is over. The juice is better distributed all over the roast and does not run out when the meat is cut.

- Fish should be placed on the middle or lower rack in a heat-resistant plate.

#### Tips for grilling

When meat, fish and poultry are grilled, they quickly get brown, have a nice crust and do not get dry. Flat pieces, meat skewers and sausages are particularly suited for grilling as are vegetables with high water content such as tomatoes and onions.

- Distribute the pieces to be grilled on the wire shelf or in the baking tray with wire shelf in such a way that the space covered does not exceed the size of the heater.
- Slide the wire shelf or baking tray with grill into the desired level in the oven. If you are grilling on the wire shelf, slide the baking tray to the lower rack to collect fats. Add some water in the tray for easy cleaning.

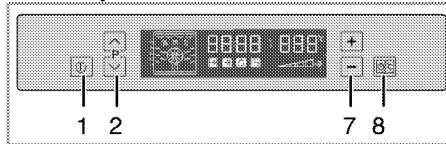


Foods that are not suitable for grilling carry the risk of fire. Only grill food which is suitable for intensive grilling heat.

Do not place the food too far in the back of the grill. This is the hottest area and fatty food may catch fire.

### How to operate the electric oven

#### How to operate the oven



- 1 Program selection key
- 2 Temperature-time increase/decrease key
- 7 Menu key
- 8 ON/OFF key

1. Press On/Off button (1) for about 2 second to switch on the oven.

#### Select temperature and operating mode

Once the oven is switched on, blank function display appears.



When the display is in this mode, cooking time, end of cooking time and Booster (quick heating) function can be set.

**i** Oven will switch off automatically within 10 seconds if no oven setting is made on this screen.

1. Press  $\wedge$  or  $\vee$  (2) to select the desired operating mode.
2. Press „+“ or „-“ keys (7) to set the desired temperature.

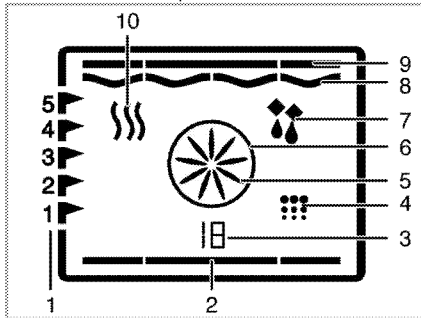
» Your oven will readily start operating in the desired function and will increase the inner temperature to the set temperature.

» Active heaters and recommended tray position appears in the Function display.

» If the temperature is not set before, recommended temperature for the set function will be displayed in temperature screen.

#### Function table:

Function table indicates the functions that can be used in the oven and their respective maximum and minimum temperatures.



- 1 Shelf positions
- 2 Bottom heater
- 3 Function number
- 4 Cleaning position
- 5 Boost fan
- 6 Boost heater
- 7 Operating with fan position
- 8 Grill heater
- 9 Top heater
- 10 Keep warm

**i** Functions vary depending on the product model!

Function table	Recommended temperature (°C)	Temperature range (°C)
Static	200	40-280
Static + Fan	175	40-280
Surf	180	40-280
3 D	205	40-280
Pizza	210	40-280
Full Grill&Fan	200	40-280
Full grill	280	40-280
Grill	280	40-280
Fan heating - slow	180	160-220
Bottom heating	180	40-220
Warm keeping	60	40-100

**i** Maximum adjustable cooking time in modes except warm keeping is limited with 6 hours due to safety reasons. Program will be cancelled in case of power failure. You must reprogram the oven.

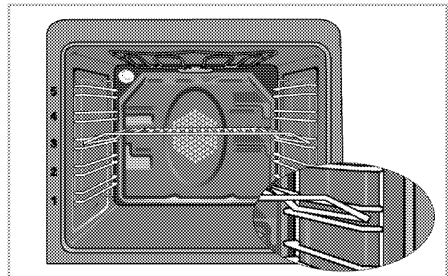
**i** While making any adjustment, related symbols on the clock will flash.

**i** Current time cannot be set while the oven is operating in any function, or if semi-automatic or full automatic programming is made on the oven.

**i** Even if the oven is off, oven lamp lights up when the oven door is opened.

#### Switching off the electric oven

Press On/Off key (1) for about 2 second to switch off the oven



#### Rack positions (For models with wire shelf)

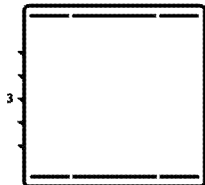
It is important to place the wire shelf onto the side rack correctly. Wire shelf must be inserted between the side racks as illustrated in the figure. Do not let the wire shelf stand against the rear wall of the oven. Slide your wire shelf to the front section of the rack and settle it with the help of

the door in order to obtain a good grill performance.

### Operating modes

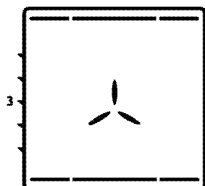
The order of operating modes shown here may be different from the arrangement on your product.

#### 1. Top and bottom heating



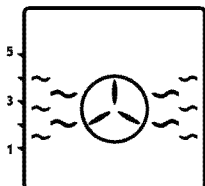
Food is heated simultaneously from the top and bottom. For example, it is suitable for cakes, pastries, or cakes and casseroles in baking moulds. Cook with one tray only. Suitable rack position will be displayed on screen.

#### 2. Fan supported bottom/top heating



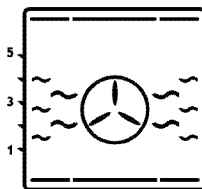
Hot air heated by the bottom and top heaters is evenly distributed throughout the oven rapidly by means of the fan. Cook with one tray.

#### 3. Surf function



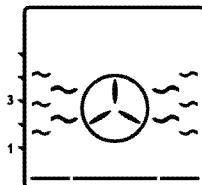
Hot air heated by the fan assisted heater is evenly distributed throughout the oven rapidly by means of the fan. It is suitable for cooking your meals in different rack levels and preheating is not required in most cases. Suitable for cooking with multi trays.

#### 4. "3D" function



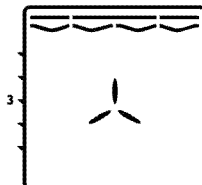
Top heating, bottom heating and fan assisted heating are in operation. Food is cooked evenly and quickly all around. Cook with one tray only.

#### 5. Pizza function



The bottom heating and fan assisted heating are in operation. Suitable for baking pizza.

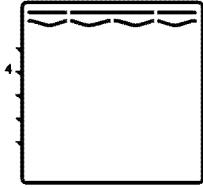
#### 6. Full grill+Fan



Hot air heated by the full grill is distributed very fast in the oven by means of the fan. It is suitable for grilling large amount of meat.

- Put big or medium-sized portions in correct rack position under the grill heater for grilling.
- Set the temperature to maximum level.
- Turn the food after half of the grilling time.

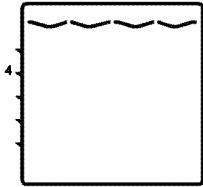
### 7. Full grill



Large grill at the ceiling of the oven is in operation. It is suitable for grilling large amount of meat.

- Put big or medium-sized portions in correct rack position under the grill heater for grilling.
- Set the temperature to maximum level.
- Turn the food after half of the grilling time.

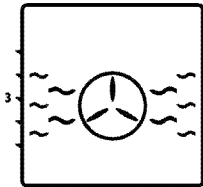
### 8. Grill



Small grill at the ceiling of the oven is in operation. Suitable for grilling and gratin dishes.

- Put small or medium-sized portions in correct shelf position under the grill heater for grilling.
- Set the temperature to maximum level.
- Turn the food after half of the grilling time.

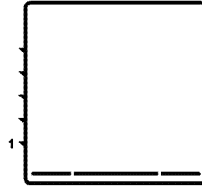
### 9. Slow cooking



To save power, you can use this function instead of the cooking operations that you would perform by using Fan Heating at 160-220°C temperature range. But, the cooking time will increase a little bit.

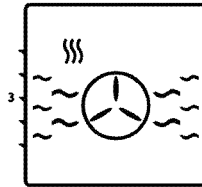
Cooking times related to this function are indicated in "Fan heating - slow" table.

### 10. Bottom heating



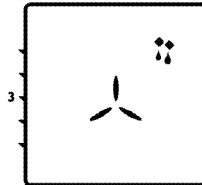
Only bottom heating is in operation. It is suitable for pizza and for subsequent browning of food from the bottom.

### 11. Keep warm



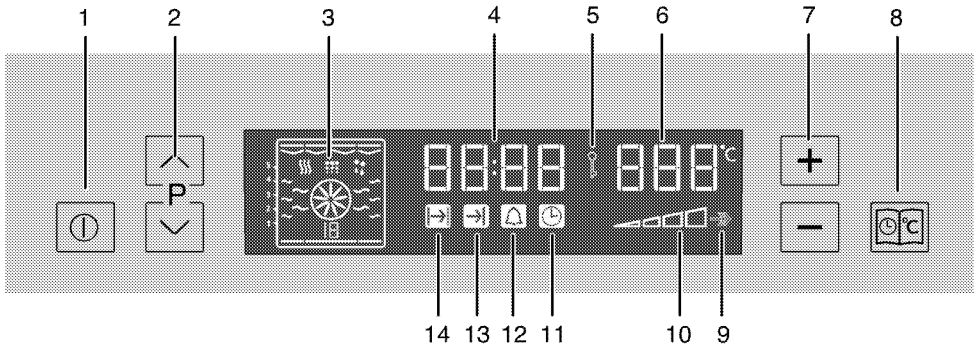
Used for keeping food at a temperature ready for serving for a long period of time.

### 12. Operating with fan



The oven is not heated. Only the fan (in the rear wall) is in operation. Suitable for thawing frozen granular food slowly at room temperature and cooling down the cooked food.

## How to operate the oven control unit



- 1 ON/OFF key
- 2 Program selection key
- 3 Function display
- 4 Current time indicator field
- 5 Keylock symbol
- 6 Temperature indicator field
- 7 Temperature-Time Adjustment key (+ and -)
- 8 Menu key
- 9 Booster symbol (rapid pre-heating)
- 10 Oven Inner Temperature symbol
- 11 Clock symbol
- 12 Alarm symbol
- 13 End of Cooking Time symbol
- 14 Cooking Time symbol

### Enable semi-automatic operation

In this operation mode, you may adjust the time period during which the oven will operate (cook time).

1. Press On/Off button (1) to switch on the oven.
2. Press  $\wedge$  or  $\vee$  (2) to select the desired operating mode (function).
3. When the oven is switched on, press Menu button (8) with short intervals to activate the Cooking Time symbol (14).
4. Press **"+"** or **"-"** keys (7) to set the cooking time.
  - » Cooking time symbol (14) remains lit after setting the cooking time.
5. Put your dish into the oven.
6. Press **"+"** or **"-"** keys (7) to set the cooking temperature.
  - » The oven will be heated up to the set temperature and will maintain this temperature

until the end of the cooking time you selected. The oven lamp is lit during the cooking process.

**i** All segments of the inner oven temperature symbol (10) will turn on when your oven reaches the set temperature.

7. After the cooking process is completed, **"End"** appears on the display and the alarm sounds.
8. Press Menu (8) or On/Off (1) key to silence the alarm.
  - » Alarm is silenced, oven is switched off automatically and the current time is displayed.

### Switch on fully automatic operation

In this operation mode you can adjust cooking time and end of cooking time.

1. Press On/Off key (1) to switch on the oven.
2. Press  $\wedge$  or  $\vee$  (2) to select the desired operating mode.
3. Press Menu key (8) with short intervals to activate the Cooking Time symbol (14).
4. Press **"+"** or **"-"** keys (7) to set the cooking time.
5. Press Menu key (8) with short intervals to activate the End of Cooking Time symbol (13).
6. Press **"+"** or **"-"** keys (7) to set the end of cooking time.
  - » After setting the end of cooking time, End of Cooking Time symbol (13) remains lit.
7. Put your dish into the oven.
8. Press **"+"** or **"-"** keys (7) to set the cooking temperature.
  - » Oven timer automatically calculates the startup time for cooking by deducting the cooking time from the end of cooking time you have set.

Selected operation mode is activated when the startup time of cooking has come and the oven is heated up to the set temperature. It maintains this temperature until the end of cooking time. The oven lamp is lit during the cooking process.



All segments of the inner oven temperature symbol (10) will turn on when your oven reaches the set temperature.

9. After the cooking process is completed, **"End"** appears on the display and the alarm sounds.
10. Press Menu (8) or On/Off (1) key to silence the alarm.
  - » Alarm is silenced, oven is switched off automatically and the current time is displayed. Oven lamp turns off.



If you want to cancel the semi-automatic or automatic programming after you have set them, you need to reset the cooking time.

### Setting the booster (Quick Pre-heating)

Use Booster (Rapid Pre-heating) function to make the oven reach the desired temperature faster.



Booster can be set only when the oven is operating. Booster cannot be selected in defrosting and cleaning positions. Booster settings will be cancelled in case of power outage.

1. Press Menu key (8) with short intervals until Booster (Quick pre-heating) symbol (9) is activated.
  - » **"OFF"** will appear on the display.
2. Press **"+"** (7) to activate the Booster function.
  - » Once the Booster is activated, **"On"** will appear on the display and the Booster symbol will remain lit.
  - » Booster symbol disappears as soon as the oven reaches the desired temperature and oven resumes operating in the function it was in before the Booster function.
3. To deactivate the Booster function, press Menu key (8) with short intervals until Booster symbol (9) is activated.

» **"On"** will appear on the display.

4. Press **"-"** (7) deactivate the Booster function.
  - » **"OFF"** will appear on the display.

### Using the keylock

#### Activating the keylock

You can prevent oven from being used by activating the Keylock function.



Keylock can be used either when the oven is operating or not. Oven can be switched off by keeping the On/Off key (1) pressed for 2 seconds even when the keylock is activated while the oven is operating.

1. Press the key (8) with short intervals until the Keylock symbol (5) is activated.
  - » **"OFF"** will appear on the display.
2. Press **"+"** key (7) to activate the keylock.
  - » Once the keylock is activated, **"On"** appears on the display and the Keylock symbol remains lit.

#### Deactivate the keylock

1. Press the key (8) to activate the Keylock symbol (5).
  - » **"On"** will appear on the display.
2. Press **"-"** key (7) to deactivate the keylock.
  - » Once the keylock is deactivated, **"OFF"** appears on the display and Keylock symbol (5) disappears.

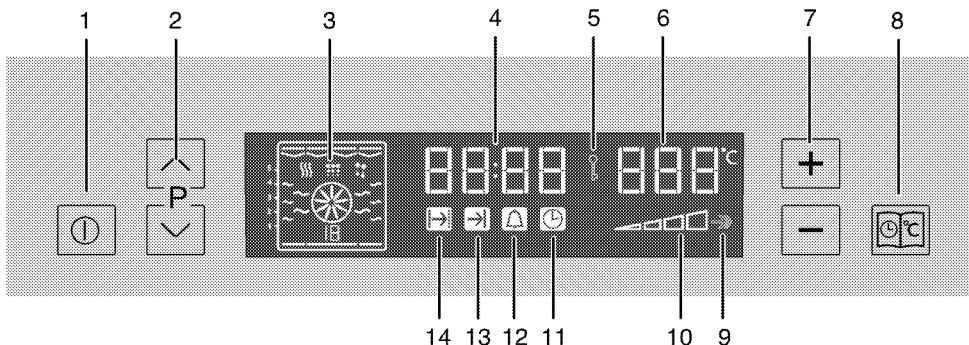


Oven keys are not functional when the Keylock function is activated. Keylock settings will not be cancelled in case of power outage.

### Using the clock as an alarm

You can use the clock of the product for any warning or reminder apart from the cooking programme.

The alarm clock has no influence on the functions of the oven. It is only used as a warning. For example, this is useful when you want to turn food in the oven at a certain point of time. Alarm clock will give a signal once the time you set is over.



- 1 ON/OFF key
  - 2 Program selection key
  - 3 Function display
  - 4 Current time indicator field
  - 5 Keylock symbol
  - 6 Temperature indicator field
  - 7 Temperature-Time Adjustment key (+ and -)
  - 8 Menu key
  - 9 Booster symbol (rapid pre-heating)
  - 10 Oven Inner Temperature symbol
  - 11 Clock symbol
  - 12 Alarm symbol
  - 13 End of Cooking Time symbol
  - 14 Cooking Time symbol
2. Press **„+“** or **„-“** keys (7) to set the alarm time.  
» Alarm symbol remains lit after setting the alarm time.
  3. After the alarm time is finished, Alarm symbol will start flashing and an alarm signal is heard.
  4. Press any key to stop the alarm.

#### **If you want to cancel the alarm:**

1. Press Menu key (8) with short intervals until Alarm symbol **(12)** is activated.
2. Press **“-“** key (7) until **“0.00”** appears on the display.

### **Using the clock as an alarm**

**i** The alarm clock has no influence on the functions of the oven. It is only used as a warning. For example, this is useful when you want to turn food in the oven at a certain point of time. Alarm clock will give a signal once the time you set is over.

**i** Maximum alarm time can be 23 hours and 59 minutes.

**i** Alarm clock can be used either when the oven is operating or not.

### **To set the alarm**

1. Press Menu key (8) with short intervals until Alarm symbol (12) is activated.



## Cooking times table



The timings in this chart are meant as a guide. Timings may vary due to temperature of food, thickness, type and your own preference of cooking.

## Baking and roasting



1st rack of the oven is the **bottom** rack.

Dish	Cooking level number		Rack position	Temperature (°C)	Cooking time (approx. in min.)
Cakes in tray*	One level		3	175	25 ... 30
Cakes in mould*	One level		2	180	50 ... 60
Cakes in cooking paper*	One level		3	175	25 ... 30
	2 levels		1 - 3	175	35 ... 40
	3 levels		1 - 3 - 5	180	35 ... 40
Sponge cake*	One level		3	200	8 ... 12
	2 levels		1 - 3	200	15 ... 20
	3 levels		1 - 3 - 5	200	15 ... 20
Cookies*	One level		3	175	25 ... 30
	2 levels		1 - 3	175	30 ... 40
	3 levels		1 - 3 - 5	175	35 ... 45
Dough pastry*	One level		2	200	30 ... 40
	2 levels		1 - 3	200	45 ... 55
	3 levels		1 - 3 - 5	200	45 ... 55
Rich pastry*	One level		2	200	25 ... 35
	2 levels		1 - 3	200	35 ... 45
	3 levels		1 - 3 - 5	200	35 ... 45
Leaven*	One level		2	200	35 ... 45
Lasagna*	One level		2 - 3	200	30 ... 40
Pizza*	One level		2	200 ... 220	15 ... 20
	One level		3	200	10 ... 15
Beef steak (whole) / Roast	One level		3	25 min. 250/max, then 180 ... 190	100 ... 120
Leg of Lamb (casserole)	One level		3	25 min. 250/max, then 190	70 ... 90
	One level		3	25 min. 250/max, then 190	60 ... 80
Roasted chicken	One level		2	15 min. 250/max, then 180 ... 190	55 ... 65
	One level		2	15 min. 250/max, then 180 ... 190	55 ... 65
Turkey (5.5 kg)	One level		1	25 min. 250/max, then 180 ... 190	150 ... 210
	One level		1	25 min. 250/max, then 180 ... 190	150 ... 210
Fish	One level		3	200	20 ... 30
	One level		3	200	20 ... 30

When cooking with 2 trays at the same time, place the deeper tray on the upper rack and the other one on the lower rack.

\* It is suggested to perform preheating for all foods.

(\*\*) In a cooking that requires preheating, preheat at the beginning of cooking until the oven temperature symbol **(8)** attains the last level.

## Slow cooking times table



Do not change the cooking temperature after cooking starts in Slow cooking mode.



Do not open the door during cooking in Slow cooking mode.

Dish	Cooking level number		Rack position	Temperature (°C)	Cooking time (approx. in min.)
Meat-Casserole	One level		2	160	100 ... 120
Chicken-Casserole	One level		2	160	70 ... 100
Haricot Bean	One level		2	160	130 ... 150
Eggplant-Casserole	One level		2	160	130 ... 150
Steak – Whole	One level		2	160	110 ... 130
Steak – Sliced	One level		2	160	100 ... 120
Cakes in cooking paper	One level		2	185	35 ... 40
Cookie	One level		2	185	30 ... 35
Dough pastry	One level		2	200	40 ... 45
Rich pastry	One level		2	200	40 ... 45

- Perform a preheating for 6-7 minutes.
- White/red meats have to be flipped over in the pan prior to cooking until boiled down.
- Haricot beans have to be boiled for 30 minutes prior to cooking. You may directly use canned bean.
- Covering the cooking pan will increase performance of cooking.

### Tips for baking cake

- If the cake is too dry, increase the temperature by 10°C and decrease the cooking time.
- If the cake is wet, use less liquid or lower the temperature by 10°C.
- If the cake is too dark on top, place it on a lower rack, lower the temperature and increase the cooking time.
- If cooked well on the inside but sticky on the outside use less liquid, lower the temperature and increase the cooking time.

### Tips for baking pastry

- If the pastry is too dry, increase the temperature by 10°C and decrease the cooking time. Dampen the layers of dough with a sauce composed of milk, oil, egg and yoghurt.
- If the pastry takes too long to bake, pay care that the thickness of the pastry you have prepared does not exceed the depth of the tray.
- If the upper side of the pastry gets browned, but the lower part is not cooked, make sure that the amount of sauce you have used for

the pastry is not too much at the bottom of the pastry. Try to scatter the sauce equally between the dough layers and on the top of pastry for an even browning.



Cook the pastry in accordance with the mode and temperature given in the cooking table. If the bottom part is still not browned enough, place it on one lower rack next time.

### Tips for cooking vegetables

- If the vegetable dish runs out of juice and gets too dry, cook it in a pan with a lid instead of a tray. Closed vessels will preserve the juice of the dish.
- If a vegetable dish does not get cooked, boil the vegetables beforehand or prepare them like canned food and put in the oven.

### For the best cooking results (Surf function):

- You can cook foods made of dense dough such as buns, cake in paper, cookies or biscuits simultaneously in 1, 2 or 3 trays thanks to the homogenous heat distribution ensured by this function.

- You may cook wet dough foods such as apple pie and tart in tray simultaneously in 2 trays.
- Cooking large amount of foods containing much liquid or yeasted dough in a single tray will improve the cooking result. More homogenous cooking is obtained in large volume foods which are rising as the hot air comes from the side walls as well, which is a function not contained in conventional ovens.
- Time and energy can be saved and perfect cooking results can be obtained thanks to the multi-tray cooking feature of this function.

## How to operate the grill



### WARNING

Close oven door during grilling.  
Hot surfaces may cause burns!

### Switching on the grill

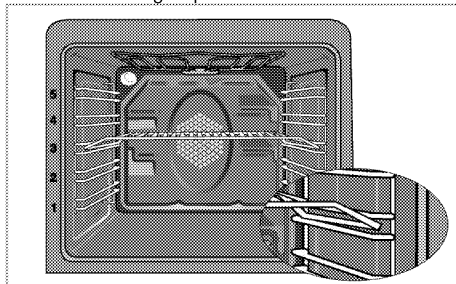
1. Press On/Off key (1) for about 2 second to switch on the oven.
2. Press  $\wedge$  or  $\vee$  (2) to set the grill function.
3. Press '+' or '-' keys (7) to set the desired temperature.

### Switching off the grill

1. Press On/Off key (1) for about 2 second to switch off the oven.

### Rack positions

Grill performance will decrease if the wire grill stands against rear part of the oven. Slide your wire grill to the front section of the rack and settle it with the help of the door in order to obtain the best grill performance.



Foods that are not suitable for grilling carry the risk of fire. Only grill food which is suitable for intensive grilling heat.

Do not place the food too far in the back of the grill. This is the hottest area and fatty food may catch fire.

## Cooking times table for grilling

### Grilling with electric grill

Food	Insertion level	Grilling time (approx.)
Fish	4..5	20...25 min. <sup>#</sup>
Sliced chicken	4..5	25...35 min.
Lamb chops	4..5	20...25 min.
Roast beef	4..5	25...30 min. <sup>#</sup>
Veal chops	4..5	25...30 min. <sup>#</sup>
Toast bread	4	1...2 min.

<sup>#</sup> depending on thickness

## 6 Maintenance and care

### General information

Service life of the product will extend and the possibility of problems will decrease if the product is cleaned at regular intervals.



#### DANGER:

Disconnect the product from mains supply before starting maintenance and cleaning works.  
There is the risk of electric shock!



#### DANGER:

Allow the product to cool down before you clean it.  
Hot surfaces may cause burns!

- Clean the product thoroughly after each use. In this way it will be possible to remove cooking residues more easily, thus avoiding these from burning the next time the appliance is used.
- No special cleaning agents are required for cleaning the product. Use warm water with washing liquid, a soft cloth or sponge to clean the product and wipe it with a dry cloth.
- Always ensure any excess liquid is thoroughly wiped off after cleaning and any spillage is immediately wiped dry.
- Do not use cleaning agents that contain acid or chloride to clean the stainless or inox surfaces and the handle. Use a soft cloth with a liquid detergent (not abrasive) to wipe those parts clean, paying attention to sweep in one direction.



The surface might get damaged by some detergents or cleaning materials.

Do not use aggressive detergents, cleaning powders/creams or any sharp objects during cleaning.

Do not use harsh abrasive cleaners or sharp metal scrapers to clean the oven door glass since they can scratch the surface, which may result in shattering of the glass.



Do not use steam cleaners to clean the appliance as this may cause an electric shock.

### Cleaning the control panel

Clean the control panel and knobs with a damp cloth and wipe them dry.



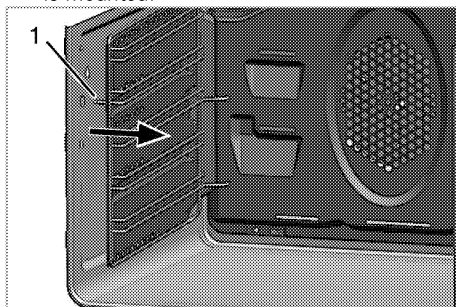
Do not remove the control buttons/knobs to clean the control panel.

Control panel may get damaged!

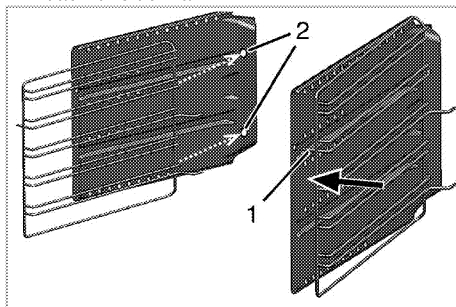
### Cleaning the oven

#### To clean the side wall

1. Remove pin (1) of the side rack by pulling it in the direction of arrow with the side wall it is mounted.

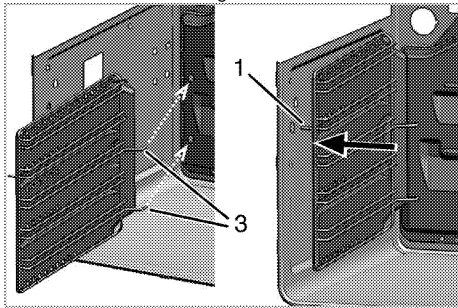


2. Remove the side rack and side wall completely by pulling it towards you.
3. Remove the side rack from the holes (2) on the oven wall by pulling.
4. To clean the side rack and side wall, use warm water with washing liquid, a soft cloth or sponge to clean the product and wipe it with a dry cloth.
5. Place side rack by pulling to holes (2) on the back of side wall.



6. Lock side rack to side wall by pulling pin (1) of side rack in the direction of arrow.

- Place side rack and side wall assembly to its place by pulling pins (3) to holes on the back wall as shown in figure.



- Place pin (1) at side rack to its place as shown in figure.

**i** Be sure that side rack and side wall has been placed properly.

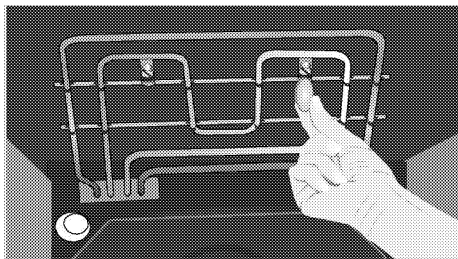
### Catalytic walls

Side walls or just back wall of oven interior may be covered with catalytic enamel. The catalytic walls of the oven must not be cleaned. The porous surface of the walls is self-cleaning by absorbing and converting spitting fat (steam and carbon dioxide).

### Clean oven ceiling

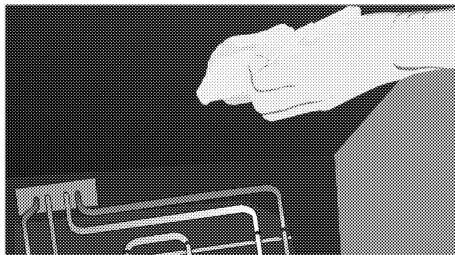
The grill element can be folded out for cleaning the oven ceiling.

- Loosing locking screws at the grill element with a screwdriver or a coin.



**i** The grill element folds down. It remains anchored at the oven ceiling.

- Clean oven ceiling with a damp cloth.



- Fold the grill element up again and tighten the locking screws with a screwdriver or a coin.

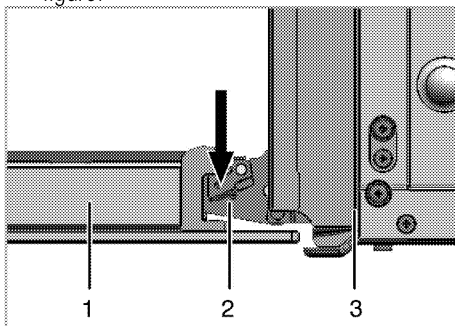
### Clean oven door

To clean the oven door, use warm water with washing liquid, a soft cloth or sponge to clean the product and wipe it with a dry cloth.

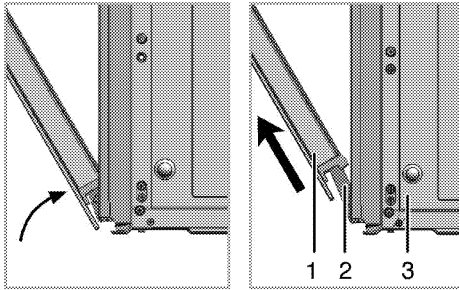
**i** Don't use any harsh abrasive cleaners or sharp metal scrapers for cleaning the oven door. They could scratch the surface and destroy the glass.

### Removing the oven door

- Open the front door (1).
- Open the clips at the hinge housing (2) on the right and left hand sides of the front door by pressing them down as illustrated in the figure.



- Front door
- Hinge
- Oven



3. Move the front door to half-way.
4. Remove the front door by pulling it upwards to release it from the right and left hinges.

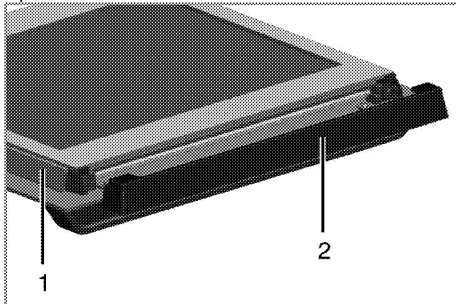


Steps carried out during removing process should be performed in reverse order to install the door. Do not forget to close the clips at the hinge housing when reinstalling the door.

### Removing the door inner glass

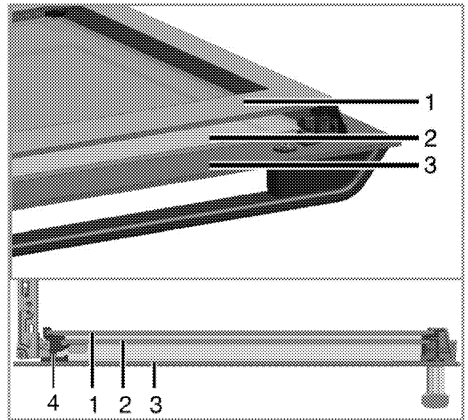
The inner glass panel of the oven door can be removed for cleaning.

Open the oven door.



- 1 Frame
- 2 Plastic part

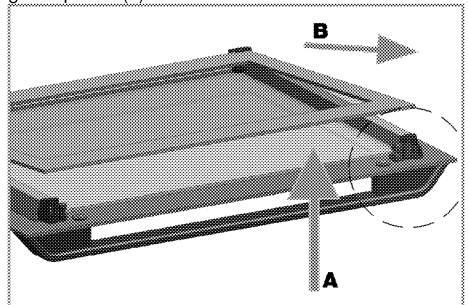
Pull towards yourself and remove the plastic part installed to upper section of the front door.



- 1 Innermost glass panel
- 2 Inner glass panel
- 3 Outer glass panel
- 4 Plastic glass panel slot-Lower

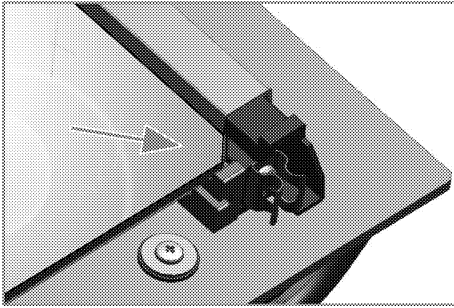
As illustrated in figure, raise the innermost glass panel (1) slightly in direction **A** and pull it out in direction **B**.

Repeat the same procedure to remove the inner glass panel (2).



The first step to regroup the door is reinstalling inner glass panel (2).

As illustrated in figure, place the chamfered corner of the glass panel so that it will rest in the chamfered corner of the plastic slot.



Inner glass panel (2) must be installed into the plastic slot close the innermost glass panel (1). When installing the innermost glass panel (1), make sure that the printed side of the panel faces towards the inner glass panel. It is important to seat lower corner of inner glass panel into the lower plastic slot. Push the plastic part towards the frame until you hear a "click".

### Replacing the oven lamp



#### **DANGER:**

Before replacing the oven lamp, make sure that the product is disconnected from mains and cooled down in order to avoid the risk of an electrical shock. Hot surfaces may cause burns!



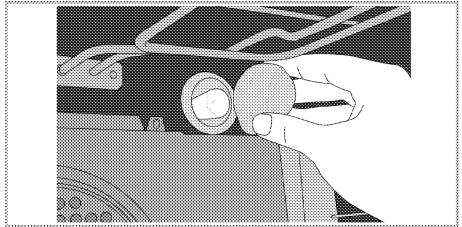
The oven lamp is a special electric light bulb that can resist up to 300 °C. See *Technical specifications, page 10* for details. Oven lamps can be obtained from Authorised Service Agents.



Position of lamp might vary from the figure.

#### **If your oven is equipped with a round lamp:**

1. Disconnect the product from mains.
2. Turn the glass cover counter clockwise to remove it.



3. Pull out the oven lamp from its socket and replace it with the new one.
4. Install the glass cover.

## Avant de commencer, bien vouloir lire ce manuel d'utilisation !

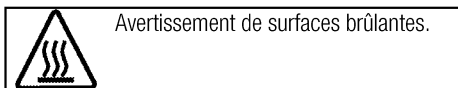
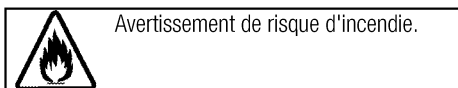
Chère cliente, cher client,

Nous vous remercions d'avoir porté votre choix sur un produit Blomberg. Nous espérons que vous tirerez le meilleur parti de votre produit, qui a été fabriqué avec une technologie de pointe et de qualité supérieure. C'est pourquoi nous vous prions de lire attentivement le présent manuel et tous les autres documents connexes dans leur intégralité avant d'utiliser le produit et de les conserver ensuite car vous pourriez avoir besoin de vous en servir ultérieurement. Si vous cédez l'appareil à une tierce personne, n'oubliez pas de lui fournir le Manuel d'utilisation également. Respectez tous les avertissements et informations contenus dans le manuel d'utilisation.

Souvenez-vous que ce Manuel d'utilisation s'applique également à plusieurs autres modèles. Les différences entre les modèles seront identifiées dans le manuel.

### Explication des symboles

Vous trouverez les symboles suivants dans ce Manuel d'utilisation :



**Arçelik A.Ş.**  
Karaağaç caddesi No:2-6  
34445 Sütlüce/Istanbul/TURKEY  
Made in TURKEY



**1 Instructions importantes et mises en garde relatives à la sécurité et à l'environnement 4**

Sécurité générale .....4  
 Sécurité électrique .....4  
 Sécurité du produit.....5  
 Utilisation prévue.....6  
 Sécurité des enfants.....7  
 Mise au rebut de l'ancien appareil.....7  
 Elimination des emballages.....7

**2 Généralités 8**

Vue d'ensemble .....8  
 Contenu de l'emballage.....9  
 Caractéristiques techniques.....10

**3 Installation 11**

Avant l'installation .....11  
 Installation et branchement.....13  
 Déplacement ultérieur .....15

**4 Préparations 16**

Conseils pour faire des économies d'énergie .16  
 Première utilisation .....16  
 Réglage du temps initial .....16  
 Premier nettoyage de l'appareil.....17  
 Première cuisson .....17

**5 Utilisation du four 18**

Informations générales concernant la pâtisserie, la rôtisserie et les grillades..... 18  
 Utilisation du four électrique ..... 18  
 Modes de fonctionnement..... 20  
 Fonctionnement de l'unité de commande du four ..... 22  
 Utilisation du verrouillage des touches ..... 24  
 Utilisation de l'horloge comme alarme ..... 24  
 Tableau des temps de cuisson ..... 25  
 Utilisation du grill..... 27  
 Tableau des temps de cuisson pour le grill.... 28

**6 Maintenance et entretien 29**

Généralités ..... 29  
 Nettoyage du bandeau de commande..... 29  
 Nettoyage du four..... 29  
 Retirer la porte du four..... 31  
 Retrait de la vitre de la porte ..... 31  
 Remplacement de l'ampoule du four ..... 32

**7 Recherche et résolution des pannes 33**

## **1 Instructions importantes et mises en garde relatives à la sécurité et à l'environnement**

Ce chapitre contient les instructions de sécurité qui vous aideront à éviter les risques de blessure corporelle ou de dégâts matériels. Le non respect de ces instructions entraînera l'annulation de toute garantie.

### **Sécurité générale**

- Cet appareil peut être utilisé par des enfants de 8 ans et plus et des personnes aux capacités physiques, sensorielles ou mentales réduites ou des personnes dénuées d'expérience ou de connaissance si elles ont pu bénéficier d'une surveillance ou d'instructions concernant l'utilisation de l'appareil en toute sécurité et comprennent les risques encourus.

Les enfants ne doivent pas jouer avec l'appareil. Le nettoyage et l'entretien ne doivent pas être effectués par un enfant sans surveillance.

- Les procédures d'installation et de réparation doivent en tout temps être effectuées par des agents d'entretien qualifiés. Le fabricant ne sera pas responsable des dommages causés à la suite d'une utilisation faite par des personnes non qualifiées, situation susceptible d'annuler aussi la garantie.

Avant l'installation, lisez attentivement les instructions.

- Ne faites pas fonctionner l'appareil s'il est défectueux ou présente des dégâts visibles.
- Assurez-vous que les boutons de fonctionnement de l'appareil sont en position d'arrêt après chaque utilisation.

### **Sécurité électrique**

- Si le produit est en panne, ne l'utilisez pas, à moins qu'il ne soit réparé par un Agent d'entretien agréé. Vous risqueriez un choc électrique !
- Branchez l'appareil uniquement à une sortie/ligne avec mise à la terre ainsi que la tension et la protection spécifiées dans le chapitre « Spécifications techniques ». Faites installer la mise à la terre par un électricien qualifié lorsque vous utilisez l'appareil avec ou sans transformateur. Notre entreprise décline sa responsabilité par rapport à tout problème consécutif à la non mise à la terre de l'appareil suivant la réglementation locale en vigueur.
- Ne lavez jamais l'appareil en y versant de l'eau. Vous risqueriez un choc électrique !
- Débranchez l'appareil pendant les opérations d'installation, d'entre-

tion, de nettoyage et de réparation.

- Si le cordon d'alimentation est endommagé, il doit être remplacé par le fabricant, l'un de ses techniciens ou une personne de qualification similaire afin d'éviter tout risque.
- Installez l'appareil de sorte que l'on puisse le déconnecter complètement du réseau. La séparation doit être effectuée par une prise secteur ou un commutateur intégré à l'installation électrique fixe, suivant la réglementation en matière de construction.
- La surface arrière du four devient chaude pendant l'utilisation. Vérifiez que le raccordement de électrique n'est pas en contact avec la surface arrière, cela pourrait endommager les connexions.
- Ne pas coincer le câble d'alimentation entre la porte du four et le châssis et ne pas le faire passer sur des surfaces brûlantes. Dans le cas contraire, l'isolation du câble pourrait fondre et provoquer un incendie suite à un court-circuit.
- Toutes les opérations sur des équipements et des systèmes électriques ne peuvent être réalisées que par des personnes habilitées et qualifiées.
- En cas de dégâts, éteignez l'appareil et débranchez-le du secteur. Pour ce faire, coupez le fusible domestique.

- Vérifiez que la tension du fusible est compatible avec l'appareil.

### **Sécurité du produit**

- Les parties accessibles de l'appareil deviennent chaudes au cours de son utilisation. Des mesures doivent être prises pour éviter de toucher aux éléments de chauffage. Les enfants de moins de 8 ans doivent être maintenus à l'écart, sauf s'ils sont continuellement surveillés.
- Ne jamais utiliser l'appareil lorsque le jugement ou la coordination est affectée par l'alcool et/ou la drogue.
- Prenez garde lorsque vous utilisez des boissons alcoolisées dans vos plats. L'alcool s'évapore à températures élevées et peut provoquer un incendie étant donné qu'il peut s'enflammer lorsqu'il entre en contact avec des surfaces chaudes.
- Assurez-vous qu'aucune substance inflammable ne soit placée à proximité de l'appareil étant donné que les côtés peuvent chauffer pendant son utilisation.
- L'appareil chauffe pendant son utilisation. Des mesures doivent être prises pour éviter de toucher aux éléments de chauffage qui se trouvent à l'intérieur du four.
- épargnez les ouvertures de ventilation d'éventuelles obstructions.
- Ne pas faire chauffer de boîtes de conserves et de bocaux en verre clos dans le four. La pression qui

s'accumulerait dans la boîte/le bocal pourrait le faire éclater.

- Ne placez pas de plaques de cuisson, de plats ou de feuille d'aluminium directement sur le bas du four. L'accumulation de chaleur pourrait endommager le fond du four.
- N'utilisez pas de nettoyants fortement abrasifs ou de grattoir en métal affûté pour nettoyer la porte vitrée du four car ils peuvent rayer la surface, ce qui peut entraîner fêler la vitre.
- N'utilisez pas de nettoyeurs à vapeur pour le nettoyage de l'appareil, car ceux-ci présentent un risque d'électrocution.
- Utilisez les grilles telles que décrites dans la section « Utilisation du four électrique ».
- Ne pas utiliser l'appareil si la porte en verre est absente ou fendue.
- La poignée du four n'est pas un sèche-serviettes. Ne pendez pas de serviettes, gants ou produits textiles similaires lorsque la porte est ouverte avec la fonction grill.
- Utilisez toujours des gants de protection thermique lorsque vous placez dans ou retirez des plats du four chaud.
- Assurez-vous d'avoir éteint l'appareil avant de procéder au remplacement de l'ampoule. Cette précaution vous évite tout risque de choc électrique.

Pour que le feu produit par votre appareil soit fiable,

- veillez à ce que la fiche soit bien branchée dans la prise afin que des étincelles ne se produisent pas.
- Utilisez uniquement les câbles de rallonge d'origine, et veillez à ce qu'ils ne soient pas coupés ou autrement endommagés.
- Assurez-vous également que la prise ne contient pas de liquide ni de moisissure avant de brancher l'appareil.

### **Utilisation prévue**

- Cet appareil est conçu pour un usage domestique. L'utilisation commerciale est interdite.
- Cette appareil doit être utilisé seulement à des fins de cuisson. Il ne doit pas être utilisé à d'autres fins, par exemple le chauffage de la pièce.'
- Évitez d'utiliser cet appareil pour réchauffer les assiettes sous le grill, accrocher des serviettes et des torchons, etc. sur les poignées, sécher et réchauffer quoi que ce soit.
- Le fabricant ne saurait être tenu responsable des dégâts causés par une utilisation ou une manipulation incorrecte.
- Le four peut être utilisé pour décongeler, cuire, rôti et griller des aliments.

## Sécurité des enfants

- Les parties accessibles peuvent s'échauffer pendant l'utilisation. Les enfants doivent être tenus à l'écart.
- Les matériaux d'emballage peuvent présenter un danger pour les enfants. Gardez les matériaux d'emballage hors de portée des enfants. Veuillez jeter les pièces de l'emballage en respectant les normes écologiques.
- Les appareils électriques sont dangereux pour les enfants. Tenez les enfants à l'écart de l'appareil lorsqu'il fonctionne et interdisez-leur de jouer avec.
- Ne rangez pas d'objets au dessus de l'appareil que les enfants pourraient atteindre.
- Lorsque la porte avant est ouverte, **ne posez pas** d'objets lourds dessus et **ne permettez pas** aux enfants de s'y asseoir. Il pourrait basculer ou les charnières de porte être endommagées.

## Mise au rebut de l'ancien appareil Conformité avec la directive DEEE et mise au rebut des déchets :



Ce produit est conforme à la directive DEEE (2012/19/UE) de l'Union européenne). Ce produit porte un symbole de classification pour la mise au rebut des équipements électriques et électroniques (DEEE).

Le présent produit a été fabriqué avec des pièces et du matériel de qualité supérieure susceptibles d'être réutilisés et adaptés au recyclage. Par conséquent, nous vous conseillons de ne pas le mettre au rebut avec les ordures ménagères et d'autres déchets à la fin de sa durée de vie. Au contraire, rendez-vous dans un point de collecte pour le recyclage de tout matériel électrique et électronique. Veuillez vous rapprocher des autorités de votre localité pour plus d'informations concernant le point de collecte le plus proche.

## Conformité avec la directive LdSD :

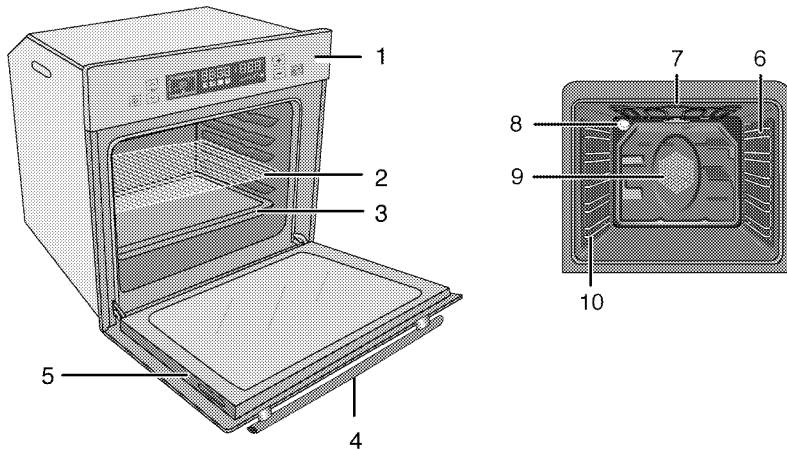
L'appareil que vous avez acheté est conforme à la directive LdSD (2011/65/UE) de l'Union européenne. Il ne comporte pas les matériels dangereux et interdits mentionnés dans la directive.

## Élimination des emballages

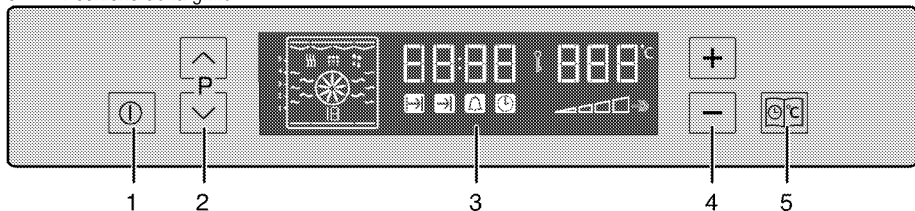
- Les emballages sont dangereux pour les enfants. Conservez les emballages en lieu sûr à l'écart des enfants. Les emballages de l'appareil sont fabriqués à partir de matériaux recyclés. Éliminez-les de manière appropriée et triez-les en fonction des instructions de recyclage des déchets. Ne les jetez pas avec les déchets domestiques normaux.

## 2 Généralités

### Vue d'ensemble



- |   |                        |    |   |
|---|------------------------|----|---|
| 1 | Bandeau de commande    | 7  | Elément chauffant supérieur                         |
| 2 | Grille                 | 8  | Ampoule   |
| 3 | Plaque                 | 9  | Moteur du ventilateur (derrière la plaque en acier) |
| 4 | Poignée                | 10 | Paroi latérale "Surf"                               |
| 5 | Porte                  |    |   |
| 6 | Positions de la grille |    |   |



- |   |   |
|---|---|
| 1 | Touche Marche/Arrêt                             |
| 2 | Touche de sélection de programme                |
| 3 | Affichage                                       |
| 4 | Touche Augmentation/Réduction Température-Temps |
| 5 | Touche de menu                                  |

## Contenu de l'emballage

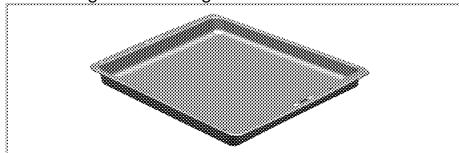


Les accessoires fournis peuvent varier selon le modèle de l'appareil. Tous les accessoires décrits dans le manuel d'utilisation peuvent ne pas faire partie de votre appareil.

### 1. Manuel de l'utilisateur

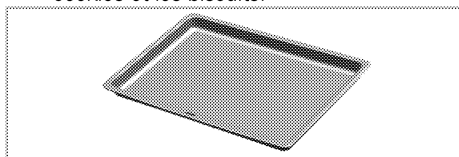
### 2. Plaque a four

Utilisée pour les pâtisseries, les aliments congelés et les grands rôtis.



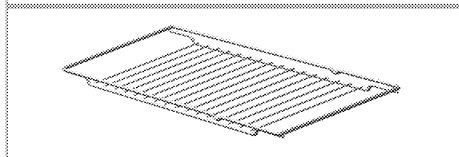
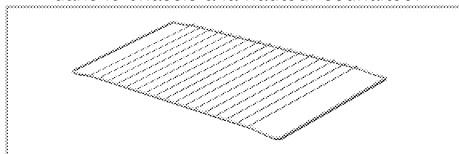
### 3. Plaque à gâteau

Utilisée pour les pâtisseries telles que les cookies et les biscuits.



### 4. Grille

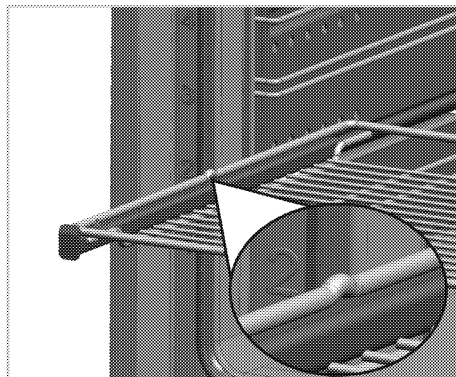
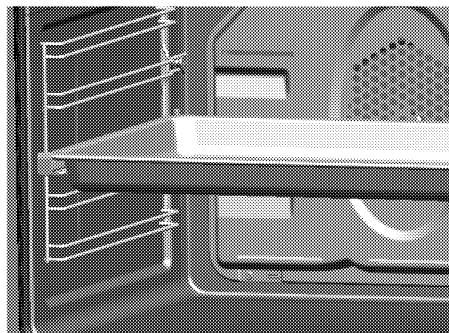
Utilisée pour les rôtis et pour les aliments à cuire, rôtir ou pour les ragoûts, elle se place dans le châssis à la hauteur souhaitée.



### 5. Placer correctement l'étagère métallique et la plaque sur les châssis télescopiques

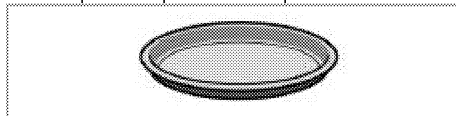
Les châssis télescopiques vous permettent d'installer et de retirer facilement les plaques et l'étagère métallique.

Lorsque vous utilisez la plaque et l'étagère métallique avec les châssis télescopiques, vérifiez que les goupilles situées à l'arrière du châssis télescopique reposent contre les bords de l'étagère métallique et du plateau.



### 6. Plaque à pizza

Utilisée pour les pizzas et les pâtisseries.



## Caractéristiques techniques

Tension/fréquence	220-240 V ~ 50 Hz
Consommation d'énergie totale	3.1 kW
Fusible	min. 16 A
Type de câble/section	H05VV-FG 3 x 1,5 mm <sup>2</sup>
Longueur de câble	max. 2 m
Dimensions extérieures (hauteur/longueur/profondeur)	595 mm/594 mm/567 mm
Dimensions d'installation (hauteur/longueur/profondeur)	**590 ou 600 mm/560 mm/min. 550 mm
Four principal	<b>Four multifonction</b>
Classe d'efficacité énergétique*	A
Ampoule interne	15/25 W
Consommation électrique du grill	2.2 kW

# Données de base : Les informations sur l'étiquette énergétique des fours électriques sont fournies conformément à la norme EN 50304. Ces valeurs sont déterminées à charge standard avec des résistances de voûte et de sole ou des fonctions de cuisson ventilée (le cas échéant).

La classe de consommation énergétique est déterminée conformément à la hiérarchie suivante en fonction de la présence ou non sur l'appareil les fonctions correspondantes. 1- Cuisson tournante économique, 2- Cuisson lente Turbo, 3- Cuisson Turbo, 4- Cuisson ventilée sole/voûte, 5- Cuisson voûte et sole.

\*\* Reportez-vous à *Installation*, page 11.



Les caractéristiques techniques peuvent changer sans avis préalable afin d'améliorer la qualité de l'appareil.



Les illustrations comprises dans ce manuel sont schématiques et peuvent ne pas correspondre exactement à l'appareil.



Les valeurs mentionnées sur les étiquettes de l'appareil ou dans la documentation qui l'accompagnent sont obtenues dans des conditions de laboratoire conformément aux normes correspondantes. En fonction des conditions de fonctionnement et de l'environnement de l'appareil, ces valeurs peuvent varier.



### 3 Installation

Le produit doit être installé par une personne qualifiée conformément à la réglementation en vigueur. Dans le cas contraire, la garantie n'est pas valable. Le fabricant se sera pas tenu pour responsable des dégâts consécutifs à des procédures réalisées par des personnes non autorisées et pourra annuler la garantie dans ce cas.



La préparation de l'emplacement et l'installation de l'électricité pour l'appareil sont sous la responsabilité du client.



#### DANGER:

Installez l'appareil conformément aux réglementations en matière de gaz et d'électricité en vigueur dans votre localité.



#### DANGER:

Avant l'installation, regardez si l'appareil présente des défauts. Si tel est le cas, ne le faites pas installer. Les appareils endommagés présentent des risques pour votre sécurité.

### Avant l'installation

L'appareil est destiné à être installé dans les meubles de cuisine disponibles dans le commerce. Une distance de sécurité doit être laissée entre l'appareil et les parois de la cuisine et des meubles. Voir le schéma (valeurs en mm).

- Les surfaces, les feuilles laminées synthétiques et les adhésifs doivent résister à la chaleur (jusqu'à 100 °C min.).
- Les meubles de cuisine doivent être stables et fixés.
- S'il y a un tiroir sous le four, une étagère doit être installée entre ce four et le tiroir.
- Transportez l'appareil avec au minimum deux personnes.



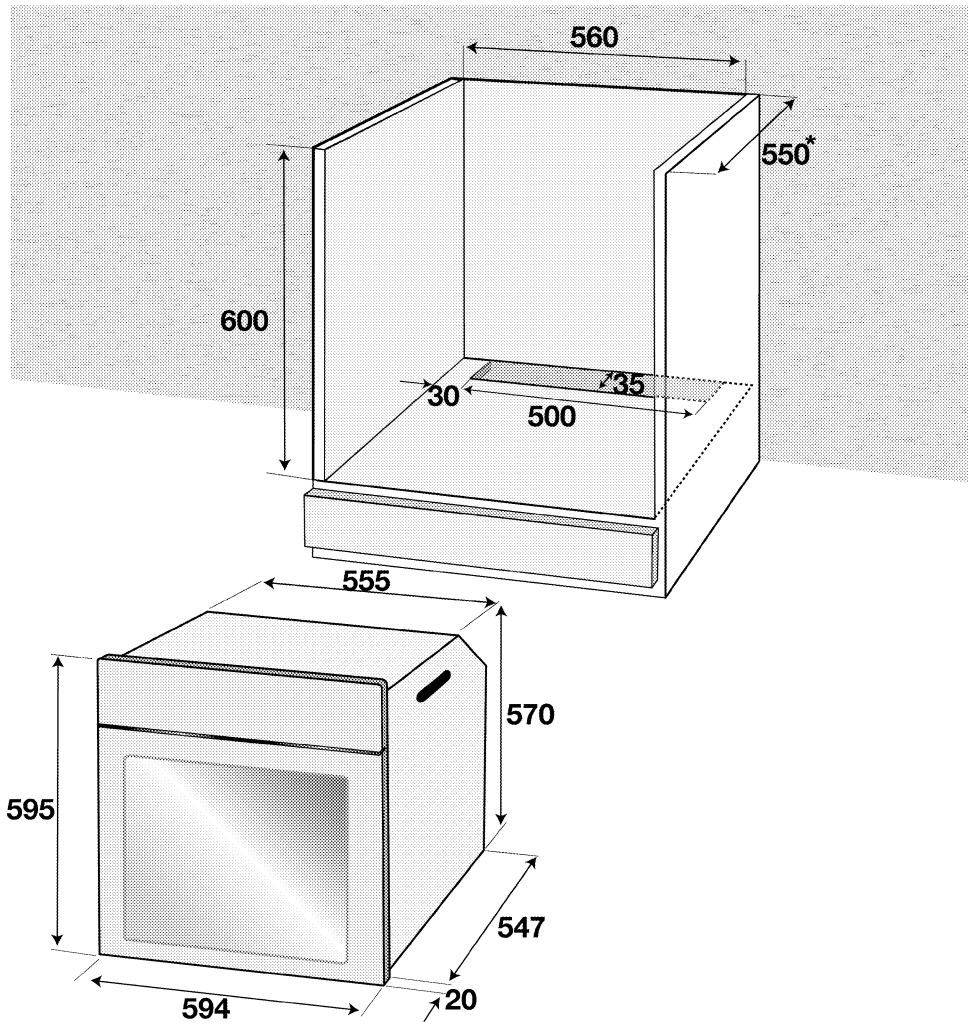
N'installez pas l'appareil à proximité de réfrigérateurs ou congélateurs. La chaleur émise par l'appareil augmenterait la consommation d'énergie des dispositifs de refroidissement.



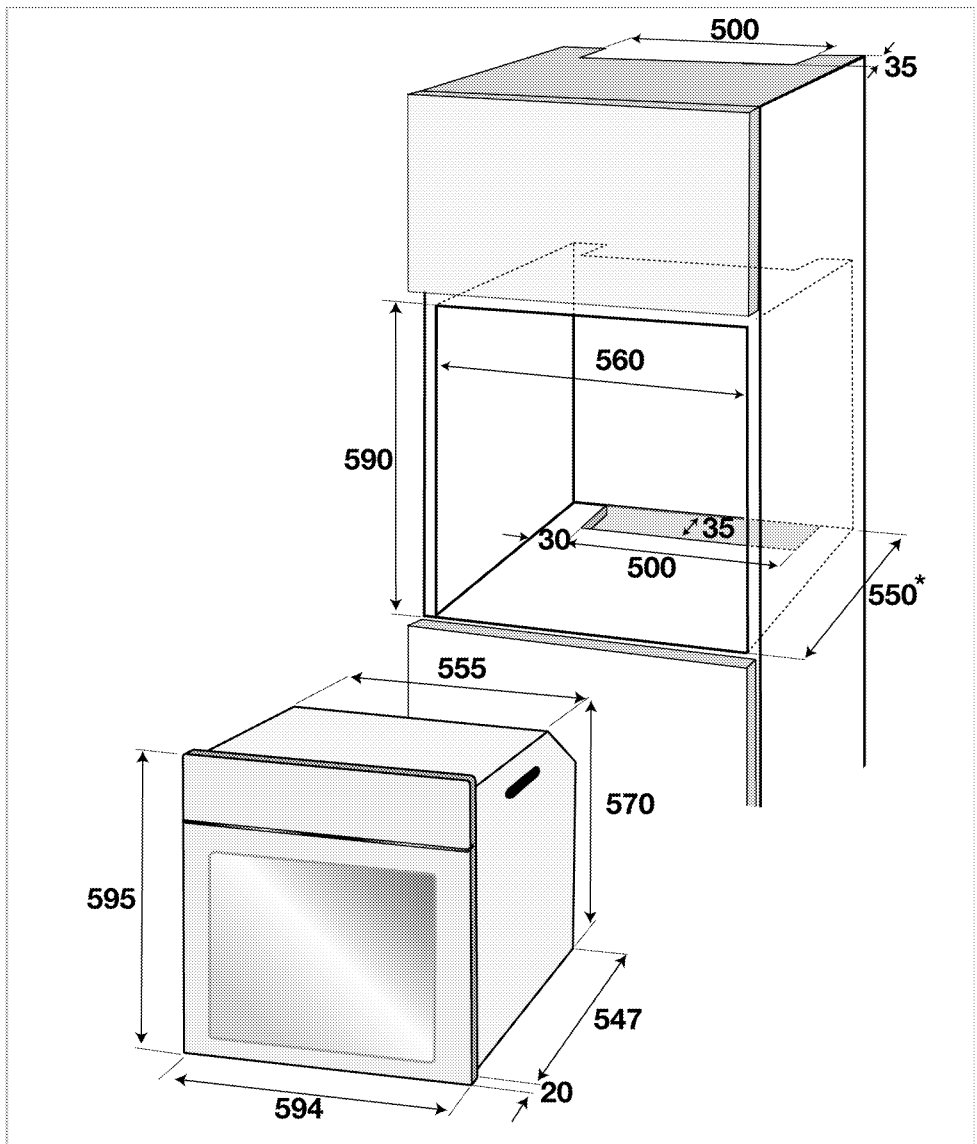
N'utilisez pas la porte et/ou la poignée pour porter ou déplacer l'appareil.



Si votre appareil est doté de poignées métalliques, veuillez les repousser à l'intérieur des parois latérales après l'avoir déplacé.



\* min.



\* min.

## Installation et branchement

- L'appareil doit être installé et raccordé conformément aux réglementations d'installation en vigueur.

## Raccordement électrique

Branchez l'appareil à une ligne de terre protégée par un fusible de capacité suffisante tel qu'indiqué dans le tableau "Caractéristiques tech-

niques". Faites installer la mise à la terre par un électricien qualifié lorsque vous utilisez l'appareil avec ou sans transformateur. Notre société ne sera pas tenue pour responsable des dégâts qui surviendraient de l'utilisation de l'appareil sans une installation de mise à la terre conforme aux réglementations locales en vigueur.

**DANGER:**

L'appareil doit uniquement être raccordé à l'alimentation électrique par une personne autorisée et qualifiée. La période de garantie de l'appareil démarre uniquement après son installation correcte.

Le fabricant se sera pas tenu pour responsable des dégâts consécutifs à des procédures réalisées par des personnes non autorisées.

**DANGER:**

Le câble d'alimentation ne doit pas être serré, plié ou pincé ou entrer en contact avec des pièces chaudes de l'appareil.

Un câble d'alimentation endommagé doit être remplacé par un électricien qualifié.

Dans le cas contraire, il présente un risque d'électrocution, de court-circuit ou d'incendie !

- La connexion doit être conforme aux réglementations nationales en vigueur.
- Les valeurs de l'alimentation électrique doivent correspondre aux valeurs figurant sur la plaque signalétique de l'appareil. Ouvrez la porte pour voir la plaque signalétique.
- Le câble d'alimentation de l'appareil doit être conforme aux valeurs du tableau "Caractéristiques techniques".

**DANGER:**

Avant d'effectuer tout travail sur l'installation électrique, l'appareil doit être débranché du réseau d'alimentation électrique.

Vous risqueriez un choc électrique !

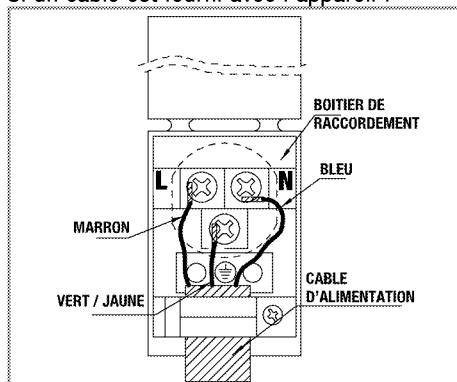
**Raccordement du câble d'alimentation**

1. S'il n'est pas possible de débrancher tous les pôles de la source d'alimentation, une unité de déconnexion avec une ouverture minimale de 3 mm (fusibles, interrupteurs de sécurités, contacts) doit être connectée et tous les pôles de cette unité de déconnexion doivent être adjacents au produit (et non au-dessus), conformément aux directives IEE. Le non

respect de ces instructions risque de causer des problèmes de fonctionnement et d'invalidier la garantie du produit.

Une protection supplémentaire par un disjoncteur de courant résiduel est recommandée.

**Si un câble est fourni avec l'appareil :**

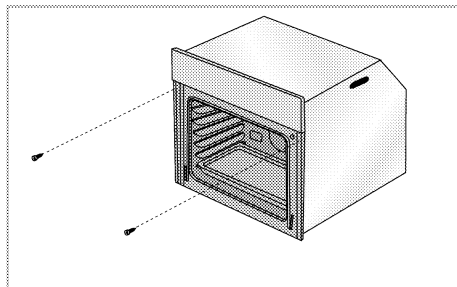


2. **Pour une connexion monophasée**, branchez les fils comme indiqué ci-dessous:

- Câble marron/noir = L (phase)
- Câble Bleu/gris = N (Neutre)
- Câble vert/jaune = (E)  $\equiv$  (Terre)

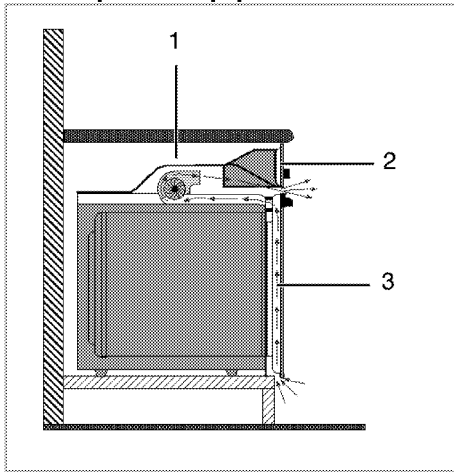
**Installation du produit**

1. Faites coulisser le four dans le meuble, alignez-le et fixez-le en vous assurant que le câble d'alimentation n'est pas rompu et/ou coincé.



Fixez le four avec les 2 vis comme sur l'illustration.

## Pour les produits équipés d'un ventilateur



- 1 Ventilateur
- 2 Bandeau de commande
- 3 Porte

Le ventilateur intégré refroidit à la fois le meuble intégré et la façade de l'appareil.



Le ventilateur continue de fonctionner pendant 20 à 30 minutes même après l'extinction du four.

## Vérification finale

1. Branchez le câble d'alimentation et enclenchez le fusible de l'appareil.
2. Vérifiez les fonctions.

## Déplacement ultérieur

- Conservez le carton d'origine de l'appareil et utilisez-le pour déplacer le produit. Suivez les instructions figurant sur le carton. Si vous n'avez plus le carton original, emballez l'appareil dans du film à bulles ou du carton épais avec du ruban adhésif pour maintenir le tout.
- Afin d'éviter que la grille et la plaque situés à l'intérieur du four n'endommagent la porte, placez une bande de carton sur la contre-porte à hauteur des plaques. Attachez la porte du four aux parois latérales à l'aide de ruban adhésif.
- N'utilisez pas la porte ou la poignée pour soulever ou déplacer l'appareil.



Ne placez aucun objet sur l'appareil et déplacez-le bien à plat.



Inspectez l'aspect général de l'appareil pour détecter les dégâts potentiellement dus au transport.

## 4 Préparations

### Conseils pour faire des économies d'énergie

Les conseils suivants vous permettront d'utiliser votre appareil de façon écologique et d'économiser ainsi de l'énergie :

- Utilisez des ustensiles de cuisine de couleur obscure et recouverts d'émail car la transmission de chaleur sera améliorée.
- Lorsque vous cuisinez, lancez un préchauffage si cela est conseillé dans le manuel d'utilisation ou la description de la recette.
- N'ouvrez pas la porte du four trop souvent pendant la cuisson.
- Essayez de faire cuire plusieurs plats simultanément dans le four lorsque vous le pouvez. Vous pouvez placer deux plats de cuisson sur le châssis métallique.

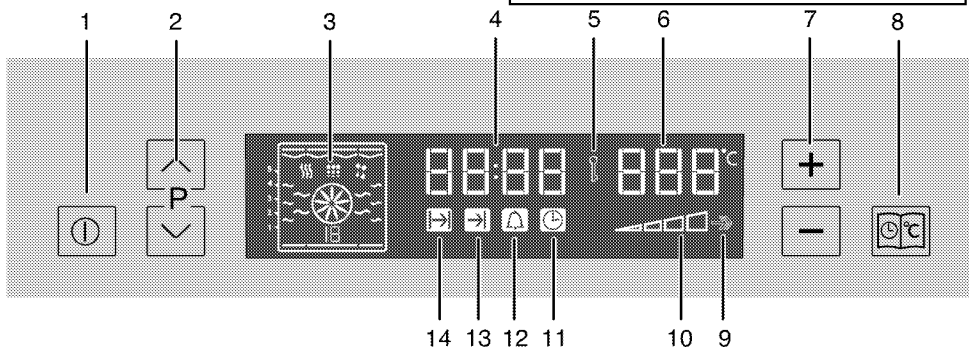
- Faites cuire plusieurs plats successivement. Le four sera déjà à température.
- Vous pouvez économiser de l'énergie en éteignant votre four quelques minutes avant la fin du temps de cuisson. N'ouvrez pas la porte du four.
- Décongelez les plats surgelés avant de les cuire.

### Première utilisation

#### Réglage du temps initial

- Le symbole de l'horloge '11' est activée quand le four fonctionne pour la première fois. Appuyez sur "+" ou "-" (7) pour régler l'heure.

**i** En maintenant la touche enfoncée, les minutes avancent ou reculent rapidement.



- 1 Touche Marche/Arrêt
- 2 Touche de sélection de programme
- 3 Affichage des fonctions
- 4 Indicateur de l'horloge
- 5 Symbole de verrouillage des touches
- 6 Champ d'indication de la température
- 7 Touche de réglage Température-Temps (+ et -)
- 8 Touche de menu
- 9 Symbole Booster (préchauffage rapide)
- 10 Symbole de température interne du four
- 11 Symbole Horloge
- 12 Symbole de l'alarme
- 13 Symbole de fin du temps de cuisson
- 14 Symbole de temps de cuisson

**i** Si l'heure n'est pas réglée, l'horloge commence à augmenter à partir de **12:00**. Pour indiquer que l'heure n'est pas réglée, le symbole horloge '11' s'allume. Il disparaît quand l'heure est réglée.

## Réglez l'heure ensuite.

1. Appuyez sur le bouton Menu (8) à courts intervalles jusqu'à l'activation du symbole Horloge (11).
2. Appuyez sur + ou – (7) pour régler le temps de cuisson.



Le réglage de l'heure actuelle est annulé en cas de coupure de courant. Il vous faudra réaliser le réglage de nouveau. L'heure ne peut être modifiée si le four est en marche.

## Premier nettoyage de l'appareil



La surface pourrait être endommagée par certains détergents ou produits de nettoyage.

N'utilisez pas de détergents agressifs, de poudre/crèmes de nettoyage ou d'objets tranchants pour le nettoyage.

1. Retirez tous les matériaux d'emballage.
2. Essuyez les surfaces de l'appareil à l'aide d'un chiffon humide ou d'une éponge et terminez avec un chiffon.

## Première cuisson

Faites chauffer l'appareil pendant 30 minutes puis éteignez-le. De cette manière, tous les résidus de production ou les couches de conservation seront brûlés et supprimés.



### AVERTISSEMENT

Les surfaces chaudes peuvent provoquer des brûlures !

L'appareil peut être très chaud pendant son utilisation. Ne touchez jamais les brûleurs, sections internes du four, résistances, etc. lorsqu'ils sont chauds. Tenez les enfants à l'écart.

Utilisez toujours des gants de protection thermique lorsque vous placez dans ou retirez des plats du four chaud.

## Four électrique

1. Sortez toutes les plaques de cuisson et la grille métallique du four.
2. Fermez la porte du four.
3. Sélectionnez la position "Traditionnel".
  1. Sélectionnez l'intensité la plus forte pour le grill ; voir *Utilisation du four électrique, page 18.*
  2. Faites fonctionner le four environ 30 minutes.
  3. Eteignez votre four ; voir *Utilisation du four électrique, page 18*

## Four à grill

1. Sortez toutes les plaques de cuisson et la grille métallique du four.
2. Fermez la porte du four.
3. Sélectionnez l'intensité la plus forte pour le grill ; voir *Utilisation du grill, page 27.*
4. Faites fonctionner le four environ 30 minutes.
5. Eteignez votre grill ; voir *Utilisation du grill, page 27*



Une odeur et de la fumée peuvent se dégager pendant quelques heures au cours de la première utilisation. Ce phénomène est tout à fait normal. Assurez-vous que la pièce est bien aérée pour évacuer l'odeur et la fumée. Évitez d'avaler la fumée et l'odeur qui se dégagent.

## 5 Utilisation du four

### Informations générales concernant la pâtisserie, la rôtisserie et les grillades



#### AVERTISSEMENT

Les surfaces chaudes peuvent provoquer des brûlures !

L'appareil peut être très chaud pendant son utilisation. Ne touchez jamais les brûleurs, sections internes du four, résistances, etc. lorsqu'ils sont chauds. Tenez les enfants à l'écart.

Utilisez toujours des gants de protection thermique lorsque vous placez dans ou retirez des plats du four chaud.



#### DANGER:

Faites attention lors de l'ouverture du four car de la vapeur peut s'en échapper. La vapeur peut provoquer des brûlures sur vos mains, votre visage et/ou vos yeux.

### Conseils pour la pâtisserie

- Utilisez des plats en métal anti-adhérent adaptés ou des ustensiles en aluminium ou des moules en silicone résistant à la chaleur.
- Utilisez l'espace de la plaque au mieux.
- Placez le moule de cuisson au milieu.
- Sélectionnez l'emplacement adapté avant d'allumer le four ou le grill. Ne changez pas d'emplacement lorsque le four est chaud.
- Gardez la porte du four fermée.

### Conseils pour rôtir

- Assaisonner les poulets entiers, dindes et gros morceaux de viande avec du jus de citron et du poivre noir avant la cuisson augmentera la performance de cuisson.
- La viande rôtie met 15 à 30 minutes de plus à cuire avec des os par rapport à un rôti équivalent sans os.
- Chaque centimètre d'épaisseur de viande requiert environ 4 à 5 minutes de temps de cuisson.
- Laissez la viande reposer dans le four pendant environ 10 minutes après le temps de

cuisson. Le jus se répartira sur l'ensemble de la viande et ne coulera pas à sa découpe.

- Le poisson doit être placé au milieu du four ou plus bas dans un plat résistant au feu.

### Conseils pour les grillades

Lorsque la viande, poissons et volailles sont grillés, ils brunissent rapidement, deviennent croustillants et ne sèchent pas. Les morceaux minces, les brochettes de viandes et les saucisses mais également les légumes à forte teneur en liquide (par exemple les tomates et les oignons, sont particulièrement adaptés à cette cuisson.

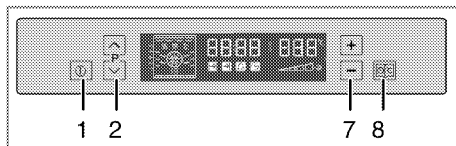
- Répartissez les morceaux à griller sur la grille métallique ou la plaque de cuisson avec la grille métallique de manière à ce que l'espace couvert ne dépasse pas la taille de la résistance.
- Glissez la grille ou la plaque de cuisson avec la grille dans le four au niveau souhaité. Si vous faites des grillades sur la grille, glissez la plaque de cuisson sur le châssis pour recueillir les graisses. Ajoutez un peu d'eau dans la plaque de cuisson pour faciliter le nettoyage.



Les aliments non adaptés pour le grill exposent à des risques d'incendie. N'utilisez que des aliments à griller adaptés à une chaleur de grill intense. Ne placez pas la nourriture trop au fond du grill. Il s'agit de la zone la plus chaude et les aliments gras pourraient prendre feu.

### Utilisation du four électrique

#### Utilisation du four



- 1 Touche de sélection de programme
- 2 Touche Augmentation/Réduction Température-Temps
- 7 Touche de menu
- 8 Touche Marche/Arrêt



- Appuyez sur le bouton Marche/Arrêt (1) pendant environ 2 seconde pour allumer le four.

### Sélection d'une température et d'un mode de fonctionnement.

Une fois le four allumé, l'affichage de la fonction apparaît.



Quand l'affichage est sur ce mode, le temps de cuisson, l'heure de fin de cuisson et la fonction Booster peuvent être réglés.



Le four s'éteindra automatiquement au bout de 10 secondes si aucun réglage du four n'est réalisé sur cet écran.

- Appuyez sur  $\wedge$  ou sur  $\vee$  (2) pour sélectionner le mode de fonctionnement désiré.
- Appuyez sur les touches (7) "+" ou "-" pour régler la température désirée.

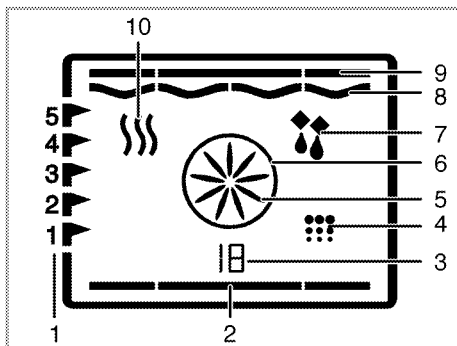
» Votre four lancera la fonction désirée et augmentera la température intérieure jusqu'à atteindre la température réglée.

» Les résistances actives et la position recommandée de la plaque s'affichent dans l'écran Fonction.

» Si la température n'est pas réglée auparavant, la température recommandée pour la fonction choisie s'affiche sur l'écran de température.

#### Tableau des fonctions :

Le tableau des fonction indique les fonctions que vous pouvez utiliser avec le four et leurs températures maximales et minimales respectives.



- Positions de la grille
- Élément inférieur
- Nombre de fonctions
- Position de nettoyage
- Vapeur rapide
- Chauffage rapide
- Fonctionnement avec ventilateur
- Résistance de grill
- Résistance de voûte
- Maintien au chaud



Les fonctions varient en fonction du modèle de four!

Tableau des fonctions	Température préconisée (°C)	Plage de températures (°C)
Traditionnel	200	40-280
Multifonction	175	40-280
Surf	180	40-280
3 D	205	40-280
Pizza	210	40-280
Gril pulsé	200	40-280
Grill fort	280	40-280
Gril	280	40-280
Chaleur tournante - lente	180	160-220
Sole	180	40-220
Maintien au chaud	60	40-100



Le temps de cuisson maximum réglables dans les modes autres que maintien au chaud est limité à 6 heures pour des raisons de sécurité. Le programme est annulé en cas de coupure de courant. Vous devez reprogrammer le four.

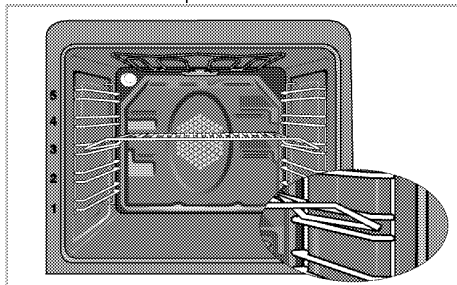


Les symboles correspondants clignoteront sur l'horloge pendant la réalisation des réglages.

- i** Il est impossible de régler l'heure pendant que le four fonctionne, ou si une programmation semi-automatique ou automatique est réalisée sur le four.
- i** Même si le four est éteint, la lampe du four s'allume lorsque la porte est ouverte.

### Arrêt du four électrique

Appuyez sur le bouton Marche/Arrêt (1) pendant environ 2 seconde pour éteindre le four.



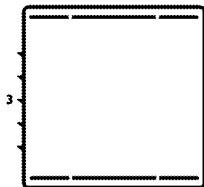
### Positions des châssis (pour modèle avec grill)

Il est important de placer la grille correctement sur le châssis. La grille doit être insérée entre les châssis métalliques comme sur l'illustration. Ne laissez pas la plaque du gril appuyée sur le mur arrière du four. Faites coulisser la grille vers l'avant du châssis et placez-la à l'aide de la contre-porte afin d'obtenir les meilleures performances du grill.

### Modes de fonctionnement

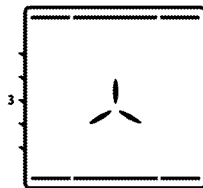
L'ordre des modes de fonctionnement présenté peut varier sur votre appareil.

#### 1. Chauffage supérieur et inférieur



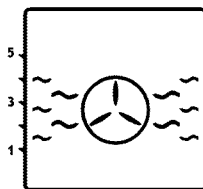
Les aliments sont cuits simultanément par le dessus et le dessous. Par exemple, il est adapté pour des gâteaux, des pâtisseries ou des gâteaux et des ragoûts dans des moules. Cuisson avec une seule plaque. La position de châssis adaptée s'affichera à l'écran.

#### 2. Élément chauffant supérieur/inférieur avec ventilateur



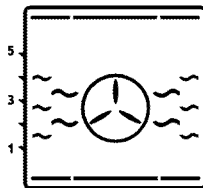
L'air chaud généré par les résistances inférieure et supérieure, est réparti très rapidement et de façon uniforme dans le four à l'aide du ventilateur. Cuisson avec une seule plaque.

#### 3. Fonction surf



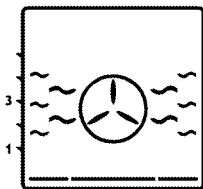
L'air chaud généré par le ventilateur et l'élément chauffant est réparti rapidement et de façon uniforme dans le four à l'aide du ventilateur. Cela permet de cuire des plats sur différents châssis et le préchauffage n'est pas nécessaire dans la plupart des cas. Adapté pour la cuisson avec des plaques multiples.

#### 4. Fonction "3D"



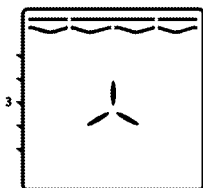
Les éléments chauffants supérieur, inférieur et celui avec ventilateur sont en marche. La nourriture est cuite également sur tous les côtés et rapidement. Cuisson avec une seule plaque.

## 5. Fonction Pizza



Les éléments chauffants inférieur et avec ventilateur sont en marche. Adapté pour la cuisson des pizzas.

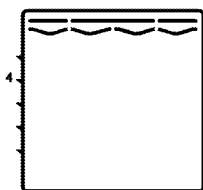
## 6. Gril pulsé



L'air chaud généré par le gril fort est distribué très rapidement dans le four à l'aide du ventilateur. Adapté pour les griller de grandes quantités de viande.

- Placez des portions de grande ou moyenne taille correctement sous la résistance de grill pour les grillades.
- Réglez la température sur le niveau maximum.
- Retournez la nourriture à mi-cuisson.

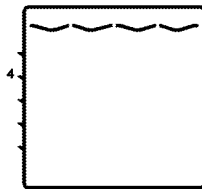
## 7. Grill fort



Le grand grill sur le haut du four fonctionne. Adapté pour les griller de grandes quantités de viande.

- Placez des portions de grande ou moyenne taille correctement sous la résistance de grill pour les grillades.
- Réglez la température sur le niveau maximum.
- Retournez la nourriture à mi-cuisson.

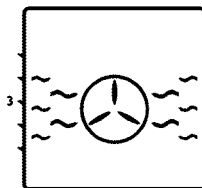
## 8. Gril



Le petit grill sur le haut du four fonctionne. Adapté aux grillades et aux gratins.

- Placez des portions de petite ou moyenne taille correctement sous l'élément de grill pour les grillades.
- Réglez la température sur le niveau maximum.
- Retournez la nourriture à mi-cuisson.

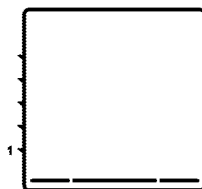
## 9. Chaleur tournante - lente



Pour réaliser des économies d'énergie, vous pouvez utiliser cette fonction à la place de la cuisson normale en utilisant la cuisson turbo dans une gamme de température de 160-220 °C. Cependant, le temps de cuisson augmentera quelque peu.

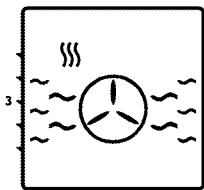
Les temps de cuisson liés à cette fonction sont indiqués dans le tableau "Chaleur tournante - lente".

## 10. Sole



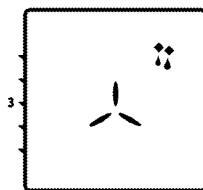
Seule la sole fonctionne. Adapté par ex. pour des pizza et pour dorer le dessous des plats.

## 11. Maintien au chaud



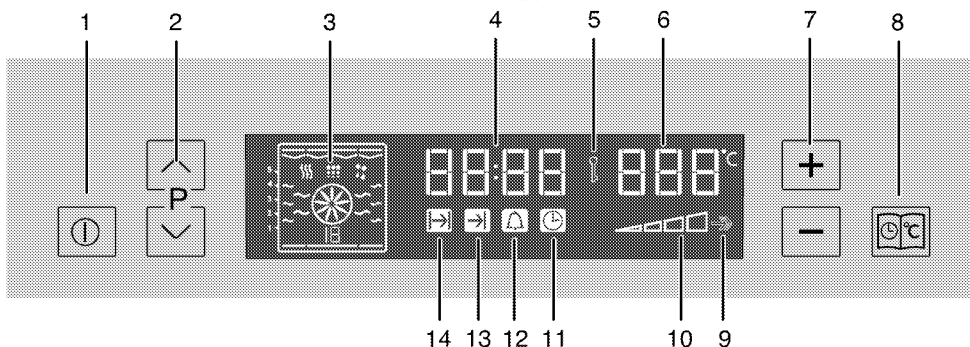
Peut être utilisée garder un plat à une température de service pendant une longue période de temps.

## 12. Fonctionnement avec ventilateur



Le four n'est pas chauffé. Seul le ventilateur (dans la paroi arrière) est en marche. Adapté pour décongeler les aliments granulaires surgelés lentement à température ambiante et refroidir les aliments cuisinés.

## Fonctionnement de l'unité de commande du four



- 1 Touche Marche/Arrêt
- 2 Touche de sélection de programme
- 3 Affichage des fonctions
- 4 Indicateur de l'horloge
- 5 Symbole de verrouillage des touches
- 6 Champ d'indication de la température
- 7 Touche de réglage Température-Temps (+ et -)
- 8 Touche de menu
- 9 Symbole Booster (préchauffage rapide)
- 10 Symbole de température interne du four
- 11 Symbole Horloge
- 12 Symbole de l'alarme
- 13 Symbole de fin du temps de cuisson
- 14 Symbole de temps de cuisson

### Activation du mode de fonctionnement semi-automatique

Dans ce mode de fonctionnement, vous pouvez régler la durée pendant laquelle le four fonctionne (temps de cuisson).

1. Appuyez sur le bouton Marche/Arrêt (1) pour allumer le four.

2. Appuyez sur  $\wedge$  ou sur  $\vee$  (2) pour sélectionner le mode de fonctionnement (fonction) désiré.
3. Quand le four est allumé, appuyez sur le bouton Menu (8) à courts intervalles pour activer le symbole de Temps de cuisson (14).
4. Appuyez sur les touches (7) "+" ou "-" pour régler le temps de cuisson.
  - » Le symbole de la durée de cuisson (14) reste allumé après le réglage de la durée de la cuisson.
5. Placez votre plat dans le four.
6. Appuyez sur les touches (7) "+" ou "-" pour régler la température désirée.
  - » Le four chauffera jusqu'à la température définie et il maintiendra cette température jusqu'à la fin de la durée de cuisson sélectionnée. La lampe du four s'allume pendant le processus de cuisson.



Tous les segments du symbole de température intérieure du four (10) s'allument lorsque le four atteint la température définie.

7. Après la fin du processus de cuisson, **"End"** (Fin) apparaît à l'écran et l'alarme sonne.
8. Appuyez sur le bouton Menu (8) ou Marche/Arrêt (1) pour arrêter l'alarme.  
» L'alarme est arrêtée, le four s'éteint automatiquement et l'heure s'affiche.

### Passage en fonctionnement entièrement automatique

Dans ce mode de fonctionnement, vous pouvez régler le temps de cuisson et la fin du temps de cuisson.

1. Appuyez sur le bouton Marche/Arrêt (1) pour allumer le four.
2. Appuyez sur  $\wedge$  ou sur  $\vee$  (2) pour sélectionner le mode de fonctionnement désiré.
3. Appuyez sur la touche Menu (8) à courts intervalles pour activer le symbole Temps de cuisson (14).
4. Appuyez sur les touches (7) **"+"** ou **"-"** pour régler le temps de cuisson.  
» Le symbole de la durée de cuisson (14) reste allumé après le réglage de la durée de la cuisson.
5. Appuyez sur la touche Menu (8) à courts intervalles pour activer le symbole Heure de fin de cuisson (13).
6. Appuyez sur les touches (7) **"+"** ou **"-"** pour régler l'heure de fin de cuisson.  
» Après avoir réglé la fin du temps de cuisson, le symbole Fin du temps de cuisson (13) s'affiche à l'écran.
7. Placez votre plat dans le four.
8. Appuyez sur les touches (7) **"+"** ou **"-"** pour régler la température désirée.  
» Le minuteur du four calcule automatiquement l'heure de début de cuisson en déduisant le temps de cuisson de la fin du temps de cuisson définie. Le mode de fonctionnement sélectionné est activé lorsque l'heure de début de cuisson est arrivée et le four chauffe à la température sélectionnée. Il maintient cette température jusqu'à la fin de la durée de cuisson. La lampe

du four s'allume pendant le processus de cuisson.



Tous les segments du symbole de température intérieure du four (8) s'allument lorsque le four atteint la température définie.

Tous les segments du symbole de température intérieure du four (10) s'allument lorsque le four atteint la température définie.  
Tous les segments du symbole de température intérieure du four (10) s'allument lorsque le four atteint la température définie.

9. Après la fin du processus de cuisson, **"End"** (Fin) apparaît à l'écran et l'alarme sonne.
10. Appuyez sur le bouton Menu (8) ou Marche/Arrêt (1) pour arrêter l'alarme.  
» L'alarme est arrêtée, le four s'éteint automatiquement et l'heure s'affiche. L'ampoule du four s'éteint.



Si vous souhaitez annuler le programme semi-automatique ou automatique après l'avoir activé, vous devez réinitialiser la durée de cuisson.

### Réglage du booster (préchauffage rapide)

Utilisez la fonction Booster (préchauffage rapide) pour que le four atteigne la température souhaitée plus rapidement.



Le Booster ne peut être réglé que lorsque le four fonctionne. Booster ne peut pas être sélectionné sur les positions décongélation et nettoyage. Le programme est annulé en cas de coupure de courant.

1. Appuyez sur la touche Menu (8) à courts intervalles jusqu'à l'activation du symbole (9) Booster (préchauffage rapide).  
» **"OFF"** (Arrêt) apparaît à l'écran.
2. Appuyez sur **"+"** (7) pour activer la fonction Booster.  
» Une fois le Booster activé, **'On'** (Marche) s'affiche à l'écran et le symbole Booster reste allumé.  
» Le symbole Booster disparaît dès que le four atteint la température souhaitée et le four reprend son fonctionnement dans la fonction qui précédait la fonction booster.

3. Pour désactiver la fonction Booster, appuyez sur le bouton Menu (8) à courts intervalles jusqu'à l'activation du symbol Booster (9).

» **"Marche"** apparaît à l'écran.

4. Appuyez sur **"-"** (7) pour désactiver la fonction Booster.

» **"OFF"** (Arrêt) apparaît à l'écran.

### Utilisation du verrouillage des touches

#### Activation du verrouillage des touches

Vous pouvez empêcher l'utilisation du four en activant la fonction de verrouillage des touches.



Le verrouillage des touches peut être utilisé avec le four en fonctionnement ou à l'arrêt. Le four peut être éteint en appuyant sur le bouton Marche/Arrêt (1) pendant deux secondes même si le verrouillage des touches est activé avec le four en fonctionnement.

1. Appuyez sur le bouton Verrouillage des touches (8) à courts intervalles jusqu'à l'activation du symbole Verrouillage des touches (5).

» **"OFF"** (Arrêt) apparaît à l'écran.

2. Appuyez sur la touche (7) **"+"** pour activer le verrouillage des touches.

» Une fois le verrouillage des touches activé, **"Marche"** s'affiche à l'écran et le symbole Verrouillage des touches reste allumé.

#### Désactivation du verrouillage des touches

1. Appuyez sur la touche (8) pour activer le symbole du verrouillage des touches (5).

» **"Marche"** apparaît à l'écran.

2. Appuyez sur la touche (7) **"-"** pour désactiver le verrouillage des touches.

» Une fois le verrouillage des touches désactivé, **"Arrêt"** s'affiche à l'écran et le symbole Verrouillage des touches (5) disparaît.



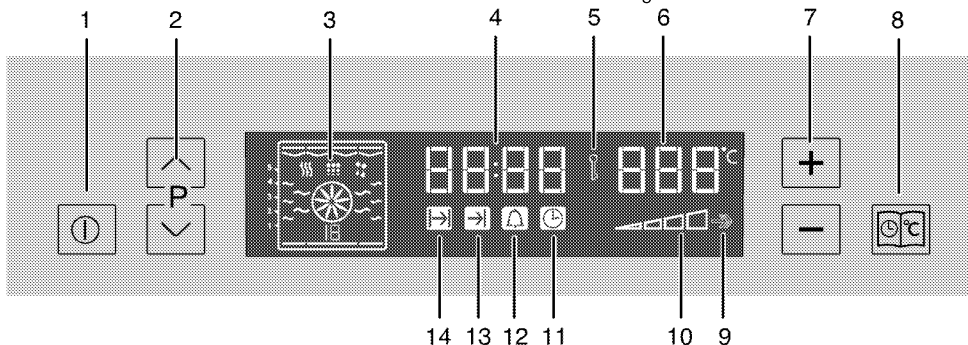
Les boutons du four ne sont pas opérationnels quand la fonction de verrouillage des touches est activée. Les réglages de verrouillage des touches ne seront pas annulés en cas de coupure de courant.

#### Utilisation de l'horloge comme alarme

Vous pouvez utiliser l'horloge de l'appareil pour tout type d'avertissement ou pense-bête en plus du programme de cuisson.

L'alarme n'a aucune influence sur les fonctions du four. Elle sert uniquement d'avertissement.

Cela peut être utile, par exemple, lorsque vous voulez retourner les aliments dans le four après un certain temps. L'alarme émettra un signal une fois l'heure réglée achevée



- |   |  |    |  |
|---|--|----|--|
| 1 | Touche Marche/Arrêt                          | 9  | Symbole Booster (préchauffage rapide)  |
| 2 | Touche de sélection de programme             | 10 | Symbole de température interne du four |
| 3 | Affichage des fonctions                      | 11 | Symbole Horloge                        |
| 4 | Indicateur de l'horloge                      | 12 | Symbole de l'alarme                    |
| 5 | Symbole de verrouillage des touches          | 13 | Symbole de fin du temps de cuisson     |
| 6 | Champ d'indication de la température         | 14 | Symbole de temps de cuisson            |
| 7 | Touche de réglage Température-Temps (+ et -) |    |  |
| 8 | Touche de menu                               |    |  |

## Utilisation de l'horloge comme alarme



L'alarme n'a aucune influence sur les fonctions du four. Elle sert uniquement d'avertissement. Cela peut être utile, par exemple, lorsque vous voulez retourner les aliments dans le four après un certain temps. L'alarme émettra un signal une fois l'heure réglée achevée



L'heure d'alarme maximum de cuisson est de 23 heures et 59 minutes.



Le verrouillage des touches peut être utilisé avec le four en fonctionnement ou à l'arrêt.

### Pour régler l'alarme

- Appuyez sur le bouton Menu (8) à courts intervalles jusqu'à l'activation du symbole Alarme (12).
- Appuyez sur les touches "+" ou "-" (7) pour régler le temps de l'alarme.  
» Le symbole de l'alarme reste allumé après le réglage de la durée de l'alarme.

- Lorsque l'heure de l'alarme est écoulée, le symbole de l'alarme commence à clignoter et le signal sonore retentit.
- Appuyez sur n'importe quel bouton pour arrêter l'alarme.

### Si vous voulez annuler l'alarme:

- Appuyez sur le bouton Menu (8) à courts intervalles jusqu'à l'activation du symbole Alarme (12).
- Appuyez sur "-" la touche (7) jusqu'à ce que "0.00" s'affiche à l'écran.

### Tableau des temps de cuisson



Les durées indiquées dans ce tableau ne servent que d'exemple. Elles peuvent varier selon la température, l'épaisseur et le type d'aliments, ainsi que vos préférences de cuisson.

### Cuisson au four et rôtisserie



Le 1er étage du four est l'emplacement du châssis du bas.

Plat	Numéro du niveau de cuisson		Emplacement du châssis	Température (°C)	Temps de cuisson (approx. en min.)
Gâteaux sur plaque*	Un niveau		3	175	25 ... 30
Gâteaux en moule*	Un niveau		2	180	50 ... 60
Gâteaux dans du papier alimentaire*	Un niveau		3	175	25 ... 30
	2 niveaux		1 - 3	175	35 ... 40
	3 niveaux		1 - 3 - 5	180	35 ... 40
Génoise*	Un niveau		3	200	8 ... 12
	2 niveaux		1 - 3	200	15 ... 20
	3 niveaux		1 - 3 - 5	200	15 ... 20
Cookies*	Un niveau		3	175	25 ... 30
	2 niveaux		1 - 3	175	30 ... 40
	3 niveaux		1 - 3 - 5	175	35 ... 45
Pâte à chou*	Un niveau		2	200	30 ... 40
	2 niveaux		1 - 3	200	45 ... 55
	3 niveaux		1 - 3 - 5	200	45 ... 55
Pâte au beurre*	Un niveau		2	200	25 ... 35
	2 niveaux		1 - 3	200	35 ... 45
	3 niveaux		1 - 3 - 5	200	35 ... 45
Levain de pâte*	Un niveau		2	200	35 ... 45
Lasagnes*	Un niveau		2 - 3	200	30 ... 40
Pizza*	Un niveau		2	200 ... 220	15 ... 20
	Un niveau		3	200	10 ... 15
Bifteck (entier) / Rôti	Un niveau		3	25 min. 250/max. puis 180 ... 190	100 ... 120

Gigot d'agneau (casserole)	Un niveau		3	25 min. 250/max. puis 190	70 ... 90
	Un niveau		3	25 min. 250/max. puis 190	60 ... 80
Poulet rôti	Un niveau		2	15 min. 250/max. puis 180 ... 190	55 ... 65
	Un niveau		2	15 min. 250/max. puis 180 ... 190	55 ... 65
Dinde (5,5 kg)	Un niveau		1	25 min. 250/max. puis 180 ... 190	150 ... 210
	Un niveau		1	25 min. 250/max. puis 180 ... 190	150 ... 210
Poisson	Un niveau		3	200	20 ... 30
	Un niveau		3	200	20 ... 30

Lors de la cuisson avec deux plaques simultanées, placez la plaque creuse sur la partie supérieure et l'autre plaque sur la partie inférieure.  
\* Nous vous suggérons de procéder à un préchauffage pour tout aliment à faire cuire.

(\*\*) Pour une cuisson nécessitant un préchauffage, préchauffez au début de la cuisson jusqu'à ce que le symbole de la température du four (8) atteigne le niveau le plus élevé.

### Tableau des temps de cuisson lente

Ne modifiez pas la température de cuisson après que la cuisson ait commencé en mode Cuisson lente.

En mode Cuisson lente, évitez d'ouvrir la porte pendant la cuisson.

Plat	Numéro du niveau de cuisson		Emplacement du châssis	Température (°C)	Temps de cuisson (approx. en min.)
Viande cocotte	Un niveau		2	160	100 ... 120
Poulet cocotte	Un niveau		2	160	70 ... 100
Haricot	Un niveau		2	160	130 ... 150
Aubergine cocotte	Un niveau		2	160	130 ... 150
Steak - entier	Un niveau		2	160	110 ... 130
Steak - en tranches	Un niveau		2	160	100 ... 120
Gâteaux dans du papier alimentaire	Un niveau		2	185	35 ... 40
Cookies	Un niveau		2	185	30 ... 35
Pâte à chou	Un niveau		2	200	40 ... 45
Pâte au beurre	Un niveau		2	200	40 ... 45

- Effectuez un préchauffage pendant 6 à 7 minutes.
- Faites sauter la viande blanche/rouge dans la poêle avant de passer à la cuisson à point.
- Faites bouillir les haricots pendant 30 minutes avant la cuisson. Vous pouvez directement utiliser les haricots en conserve.
- En couvrant la poêle, vous renforcez ainsi leurs performances de cuisson.

### Conseils pour la pâtisserie

- Si le gâteau est trop sec, augmentez la température de 10°C et réduisez le temps de cuisson.
- Si le gâteau est trop humide, utilisez moins de liquide ou baissez la température de 10°C.
- Si le gâteau est trop foncé sur le dessus, placez-le au niveau inférieur, baissez la

température et augmentez le temps de cuisson.

- S'il est bien cuit à l'intérieur mais collant à l'extérieur, utilisez moins de liquide, baissez la température et augmentez le temps de cuisson.

### Conseils pour la pâtisserie

- Si la pâtisserie est trop sèche, augmentez la température de 10°C et réduisez le temps



de cuisson. Humectez les couches de pâte avec une sauce composée de lait, d'huile, d'œuf et de yaourt.

- Si la pâtisserie met trop de temps pour cuire, faites attention à ce que l'épaisseur de la pâtisserie que vous avez préparée ne dépasse pas la profondeur de la plaque.
- Si la partie supérieure de la pâtisserie dore mais que la partie inférieure n'est pas cuite, vérifiez que vous n'avez pas utilisé trop de sauce pour le bas de la pâtisserie. Essayez de répandre la sauce équitablement sur les couches de pâte et le haut de la pâtisserie afin de les dorer au même niveau.



Faites cuire la pâte conformément au mode et à la température indiqués dans le tableau de cuisson. Si la partie inférieure n'est toujours pas suffisamment dorée, la prochaine fois, placez-la à un niveau inférieur.

### Conseils pour la cuisson des légumes

- Si le plat de légumes ne contient plus de jus et devient trop sec, cuisez-les dans une casserole avec un couvercle au lieu d'une plaque. Les récipients clos préservent le jus du plat.
- Si un plat de légumes ne cuit pas, faites bouillir les légumes au préalable ou préparez-les comme des aliments en conserve et placez-les au four.

### Pour la meilleure cuisson possible (fonction Surf) :

- Vous pouvez cuire des aliments à base de pâte compacte tels que des petits pains, des gâteaux dans du papier, des cookies ou des biscuits cuits simultanément sur 1, 2 ou 3 plaques grâce à la répartition homogène de la chaleur garantie par cette fonction.
- Vous pouvez cuire des aliments à base de pâte humide, comme des tartes aux pommes et des tourtes dans des plaques, cuites simultanément sur 2 plaques.
- La cuisson de grande quantité de denrées contenant une importante quantité de liquide ou une pâte levée sur une seule plaque permet d'améliorer les résultats de cuisson. Une cuisson plus homogène est obtenue pour les gros volumes d'aliments qui

lèvent à mesure que l'air chaud provient également des parois latérales, une fonction que n'ont pas les fours conventionnels.

- Vous économisez du temps et de l'énergie tout en obtenant une cuisson optimale grâce à la caractéristique de cuisson à plaques multiples de cette fonction.

### Utilisation du grill



#### AVERTISSEMENT

Fermez la porte du four pendant les grillades.

Les surfaces chaudes peuvent brûler !

### Allumage du grill

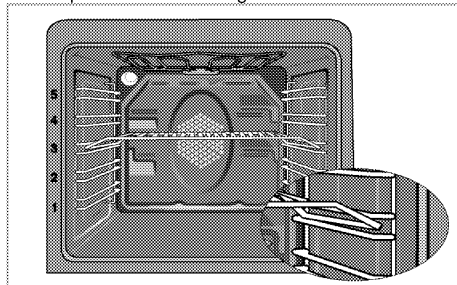
1. Appuyez sur le bouton Marche/Arrêt (1) pendant environ 2 seconde pour allumer le four.
2. Appuyez sur  $\wedge$  ou sur  $\vee$  (2) pour régler la fonction grill.
3. Appuyez sur les touches (7) "+" ou "-" pour régler la température désirée.

### Extinction du grill

1. Appuyez sur le bouton Marche/Arrêt (1) pendant environ 2 seconde pour éteindre le four.

### Emplacements des châssis

Les performances du grill diminuent si la grille repose contre l'arrière du châssis. Faites coulisser la grille vers l'avant du châssis et placez-la à l'aide de la contre-porte afin d'obtenir les meilleures performances du grill.





Les aliments non adaptés pour le grill exposent à des risques d'incendie. N'utilisez que des aliments à griller adaptés à une chaleur de grill intense. Ne placez pas la nourriture trop au fond du grill. Il s'agit de la zone la plus chaude et les aliments gras pourraient prendre feu.

## Tableau des temps de cuisson pour le grill

### Grillade par grill électrique

Aliments	Position de la grille	Temps de grillade (environ)
Poisson	4...5	20...25 min. #
Ailes ou cuisses de poulet	4...5	25...35 min.
Côtelettes d'agneau	4...5	20...25 min.
Rôti de bœuf	4...5	25...30 min. #
Côtelettes de veau	4...5	25...30 min. #
Pain toast	4	1...2 min.
# selon l'épaisseur		

## 6 Maintenance et entretien

### Généralités

Un nettoyage régulier de l'appareil en rallongera la durée de vie et diminuera l'apparition de problèmes.



#### DANGER:

Débranchez l'appareil de la prise d'alimentation avant de commencer le nettoyage et l'entretien.  
Vous risqueriez un choc électrique !



#### DANGER:

Laissez l'appareil refroidir avant de le nettoyer.  
Les surfaces chaudes peuvent brûler !

- Nettoyez l'appareil après chaque utilisation. Il vous sera ainsi possible d'ôter plus facilement les résidus de nourriture éventuels, évitant ainsi qu'ils ne brûlent lors de l'utilisation suivante.
- Aucun produit nettoyant particulier n'est nécessaire pour nettoyer l'appareil. Utilisez de l'eau tiède avec du détergent, un chiffon doux ou une éponge pour nettoyer l'appareil et essuyez-le à l'aide d'un chiffon sec.
- Veillez toujours à bien essuyer les excès de liquide après le nettoyage et essuyez immédiatement tout déversement.
- N'utilisez pas de détergents contenant de l'acide ou du chlore pour nettoyer les surfaces en acier inoxydable et la poignée. Utilisez un chiffon doux avec un détergent liquide non abrasif pour nettoyer ces parties, en prenant soin de toujours frotter dans le même sens.



La surface pourrait être endommagée par certains détergents ou produits de nettoyage.

N'utilisez pas de détergents agressifs, de poudre/crèmes de nettoyage ou d'objets tranchants pour le nettoyage.



N'utilisez pas de nettoyeurs à vapeur pour le nettoyage de l'appareil, car ceux-ci présentent un risque d'électrocution.

### Nettoyage du bandeau de commande

Nettoyez le bandeau de commande et les boutons de commande avec un chiffon humide et essuyez-les.

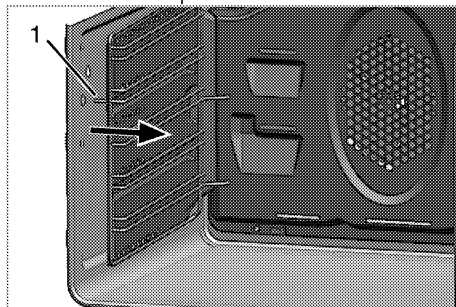


Ne retirez pas les boutons de commande pour nettoyer le bandeau de commande. Le panneau de commande pourrait être endommagé !

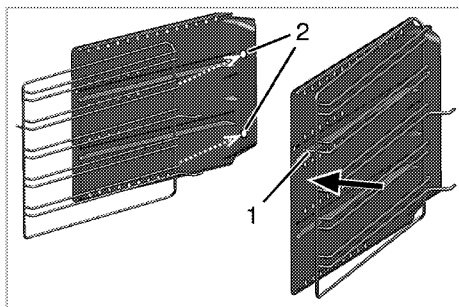
### Nettoyage du four

#### Pour nettoyer la paroi latérale

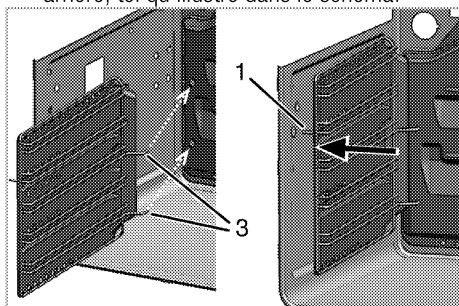
1. Retirez la goupille (1) du rail latéral en le tirant dans le sens de la flèche avec la paroi latérale sur lequel il est monté.



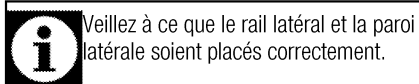
2. Retirez le rail latérale et la paroi latérale complètement en les tirant vers vous.
3. Retirez le support latéral des orifices (2) de la paroi du four en tirant dessus.
4. Utilisez de l'eau tiède avec du détergent, un chiffon doux ou une éponge pour nettoyer le rail latéral et la paroi latérale et essuyez l'appareil à l'aide d'un chiffon sec.
5. Placez le rail latéral en l'ajustant sur les orifices (2) à l'arrière de la paroi latérale.



6. Fixez le rail latéral à la paroi latérale en tirant la goupille (1) du rail latérale dans le sens de la flèche.
7. Placez l'ensemble du rail latéral et de la paroi latérale sur sa position d'origine en plaçant les goupilles dans les orifices (3) sur la paroi arrière, tel qu'illustré dans le schéma.



8. Placez la goupille (1) du rail latéral à sa place, tel qu'illustré dans le schéma.



Veillez à ce que le rail latéral et la paroi latérale soient placés correctement.

### Parois catalytiques

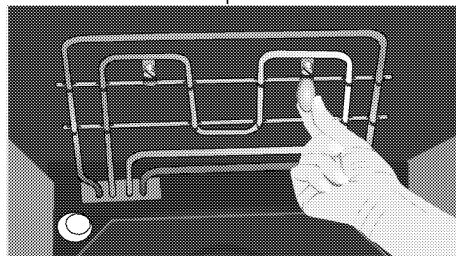
Les parois latérales ou la simple paroi arrière de l'intérieur du four peuvent être recouvertes d'un émail catalytique.

Les parois catalytiques du four ne doivent pas être nettoyées. La surface poreuse des parois est auto-nettoyante par absorption et conversion des graisses projetées (vapeur et dioxyde de carbone).

### Nettoyage du plafond du four.

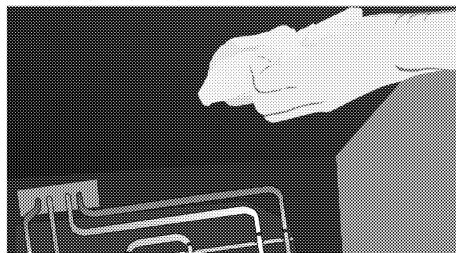
Le grill peut être replié pour nettoyer le plafond du four.

1. Desserrez les vis de blocage qui se trouvent au niveau de l'élément de grill à l'aide d'un tournevis ou d'une pièce.



L'élément de grill se replie. Il reste fixé au plafond du four.

2. Nettoyez le plafond du four à l'aide d'un chiffon humide.



3. Repliez de nouveau l'élément de grill et serrez la vis de blocage à l'aide d'un tournevis ou d'une pièce.

### Nettoyage de la porte du four.

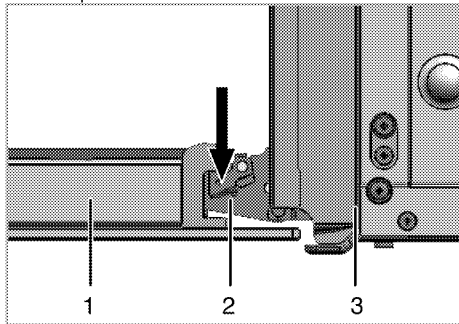
Utilisez de l'eau tiède avec du détergent, un chiffon doux ou une éponge pour nettoyer la porte du four et essuyez l'appareil à l'aide d'un chiffon sec.



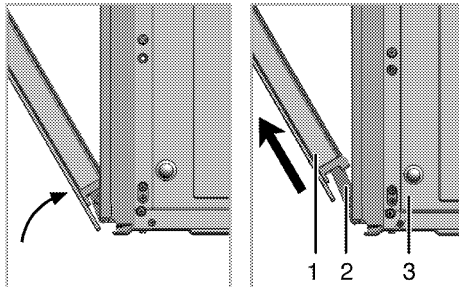
N'utilisez pas de détergents abrasifs ou de grattoirs en métal dur pour nettoyer la porte du four. Vous pourriez rayer la surface et endommager la vitre.

## Retirer la porte du four.

1. Ouvrez la porte frontale (1).
2. Ouvrez les clips sur le logement de la charnière (2) sur les côtés droit et gauche de la porte frontale en faisant pression sur les clips, tel qu'illustré dans le schéma.



- 1 Porte frontale
- 2 Charnière
- 3 Four



3. Ouvrez la porte frontale à moitié.
4. Retirez la porte frontale en la tirant vers le haut pour la libérer des charnières droite et gauche.

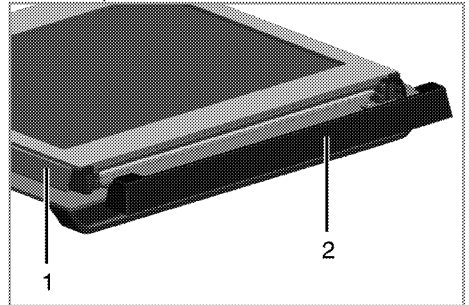


Les étapes effectuées pendant le processus de retrait doivent être suivies dans l'ordre inverse pour installer la porte. N'oubliez pas de fermer les clips du logement de la charnière lors de la réinstallation de la porte.

## Retrait de la vitre de la porte

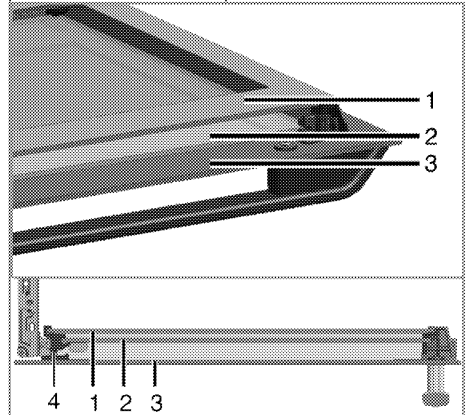
Le panneau vitré interne de la porte du four peut être retiré pour le nettoyage.

Ouvrez la porte du four.



- 1 Cadre
- 2 Pièce en plastique

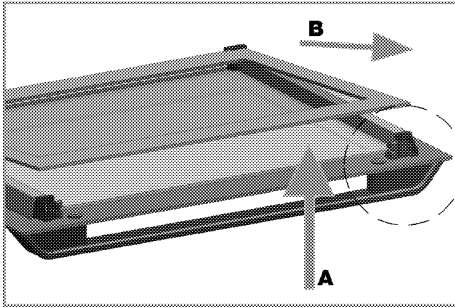
Tirez vers vous et retirez le morceau en plastique placé sur le haut de la porte d'entrée.



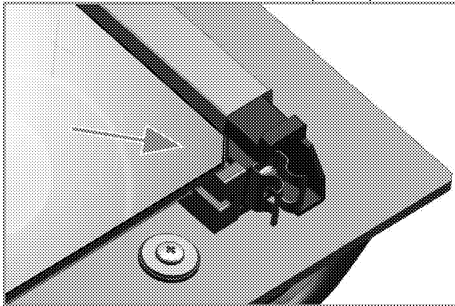
- 1 Panneau vitré du fond
- 2 Panneau vitré du fond
- 3 Panneau de verre extérieur
- 4 Encoche en plastique du panneau de vert-Bas

Comme illustré sur la figure, soulevez le panneau de verre du fond (1) légèrement dans la direction A et retirez-le dans la direction B.

Répétez cette opération pour enlever le panneau en verre intérieur (2).



La première étape pour réassembler la porte est de réinstaller le panneau de verre intérieur (2). Comme illustré sur la figure, placez le coin chanfreiné du panneau en verre pour qu'il reste sur le coin chanfreiné de l'encoche en plastique.



Le panneau de verre intérieur (2) doit être installé dans l'encoche en plastique près du panneau en verre du fond (1).

Quand vous installez le panneau en verre de derrière (1), vérifiez que le côté imprimé du panneau fait face au second panneau en verre. Il est important d'asseoir les coins inférieurs de tous les panneaux en verre intérieurs dans l'encoche en plastique inférieure.

Poussez le morceau en plastique dans le cadre jusqu'à ce que vous entendiez un "click".

## Remplacement de l'ampoule du four



### DANGER:

Avant de remplacer l'ampoule de four, vérifiez que l'appareil est débranché de l'alimentation et froid afin d'éviter tout risque de choc électrique. Les surfaces chaudes peuvent brûler !



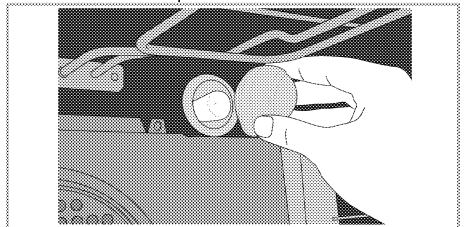
L'ampoule du four est une ampoule trique d'éclairage spéciale pouvant résister à des chaleurs allant jusqu'à 300°C. Consultez-vous aux *Caractéristiques techniques*, page 10 pour les détails. Des ampoules de four sont disponibles auprès de votre technicien autorisé.



L'emplacement de la lampe peut varier par rapport à l'illustration.

### Si votre four est équipé d'une lampe ronde :

1. Débranchez l'appareil de l'alimentation.
2. Dévissez le cache de l'ampoule en le tournant dans le sens contraire des aiguilles d'une montre pour l'enlever.



3. Retirez l'ampoule du four de son emplacement et remplacez-la par une neuve.
4. Remettez en place le cache de l'ampoule.

## 7 Recherche et résolution des pannes

### **Le four émet de la vapeur lorsqu'il est en marche..**

- Il est normal que de la vapeur s'échappe pendant le fonctionnement. >>> *Cela n'est pas un défaut.*

### **Le four émet des bruits métalliques lors des phases de chauffage et de refroidissement.**

- Lorsque les pièces métalliques sont chauffées, elles peuvent se détendre et émettre ces bruits. >>> *Cela n'est pas un défaut.*

### **Le four ne fonctionne pas.**

- Le fusible d'alimentation est défectueux ou grillé. >>> *Vérifiez les fusibles dans la boîte à fusibles. Remplacez ou réactivez-les le cas échéant.*
- L'appareil n'est pas relié à la prise de mise à la terre. >>> *Vérifiez le branchement de la prise.*
- Les boutons/manettes/touches sur le bandeau de commande de fonctionnent pas. >>> *Il se peut que le verrouillage des touches soit activé. Veuillez le désactiver. (Reportez-vous à Utilisation du verrouillage des touches, page 24 )*

### **La lumière du four ne s'allume pas.**

- L'ampoule du four est défectueuse. >>> *Remplacer l'ampoule du four.*
- L'alimentation est coupée. >>> *Vérifiez s'il y a du courant. Vérifiez les fusibles dans la boîte à fusibles. Remplacez ou réactivez-les le cas échéant.*

### **Le four ne chauffe pas.**

- La fonction et /ou la température ne sont pas réglées. >>> *Réglez la fonction et la température avec les touches/manettes fonction et/ou température.*
- L'alimentation est coupée. >>> *Vérifiez s'il y a du courant. Vérifiez les fusibles dans la boîte à fusibles. Remplacez ou réactivez-les le cas échéant.*



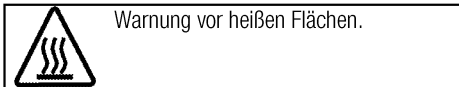
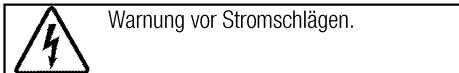
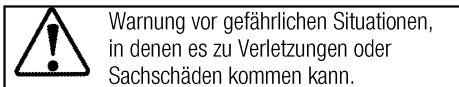
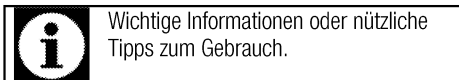
Consultez le technicien autorisé ou le revendeur qui vous a vendu l'appareil si vous ne parvenez pas à résoudre le problème après avoir suivi les instructions comprises dans ce chapitre. N'essayez jamais de réparer un appareil défectueux vous-même.

## Bitte zuerst diese Bedienungsanleitung lesen!

Sehr geehrte Kundin, sehr geehrter Kunde,  
vielen Dank für den Kauf eines Blomberg-Produktes. Wir hoffen, dass dieses Produkt, das mit hochwertiger und hochmoderner Technologie hergestellt wurde, beste Ergebnisse erzielt. Daher bitte die gesamte Bedienungsanleitung und alle beiliegenden Dokumente aufmerksam durchlesen und zum zukünftigen Nachschlagen aufbewahren. Bei Weitergabe des Produktes auch die Bedienungsanleitung mit aushändigen. Alle Warnungen und Informationen in der Bedienungsanleitung einhalten. Bitte beachten, dass diese Bedienungsanleitung für unterschiedliche Modelle geschrieben wurde. Unterschiede zwischen den verschiedenen Modellen werden natürlich in der Anleitung erwähnt.

### Die Symbole

In dieser Anleitung verwenden wir folgende Symbole:



**Arçelik A.Ş.**  
Karaağaç caddesi No:2-6  
34445 Sütlüce/Istanbul/TURKEY  
Made in TURKEY



## **1 Wichtige Sicherheits- und Umwelthinweise** **4**

Allgemeine Sicherheit .....	4
Elektrische Sicherheit .....	4
Produktsicherheit .....	5
Bestimmungsgemäße Verwendung .....	6
Sicherheit von Kindern .....	7
Altgeräte entsorgen .....	7
Verpackungsmaterialien entsorgen .....	7

## **2 Allgemeine Informationen** **8**

Geräteübersicht .....	8
Lieferumfang .....	9
Technische Daten .....	10

## **3 Installation** **11**

Vor der Installation .....	11
Einbauen und Anschließen .....	14
Transport .....	15

## **4 Vorbereitungen** **16**

Tipps zum Energiesparen .....	16
Erste Inbetriebnahme .....	16
Erste Zeiteinstellung .....	16
Erstreinigung des Gerätes .....	17
Erstaufheizung .....	17

## **5 Bedienung des Backofens** **18**

Allgemeine Hinweise zum Backen, Braten und Grillen .....	18
So bedienen Sie den Backofen .....	19
Betriebsarten .....	20
Das Bedienfeld .....	22
Tastensperre Kindersicherung .....	23
Alarmfunktion .....	24
Garzeitentabelle .....	25
So bedienen Sie den Grill .....	27
Garzeitentabelle zum Grillen .....	28

## **6 Reinigung und Wartung** **29**

Allgemeine Hinweise .....	29
Bedienfeld reinigen .....	29
Backofen reinigen .....	29
Backofentür ausbauen .....	30
Türinnenscheibe ausbauen .....	31
Beleuchtung des Backofens auswechseln .....	32

## **7 Problemlösungen** **33**

## **1 Wichtige Sicherheits- und Umwelthinweise**

Dieser Abschnitt enthält Hinweise, die für die Sicherheit des Benutzers und anderer Personen unerlässlich sind. Diese Hinweise müssen beachtet werden, damit es nicht zu Verletzungen oder Sachschäden kommt.

Bei Nichteinhaltung dieser Anweisungen erlöschen sämtliche Garantieansprüche.

### **Allgemeine Sicherheit**

- Dieses Gerät darf von Kindern (ab acht Jahren) oder Personen bedient werden, die unter körperlichen, sensorischen oder geistigen Einschränkungen leiden oder denen es an der nötigen Erfahrung und Wissen im Umgang mit solchen Geräten mangelt, wenn solche Personen beaufsichtigt werden und, zuvor gründlich mit der sicheren Bedienung des Gerätes vertraut gemacht wurden und sich der damit verbundenen Gefahren voll und ganz bewusst sind.

Kinder dürfen nicht mit dem Gerät spielen. Reinigungs- und Wartungsarbeiten dürfen von Kindern nicht ohne Aufsicht eines Erwachsenen durchgeführt werden.

- Installation und Reparaturen müssen grundsätzlich vom autorisierten Kundendienst ausgeführt werden. Der Hersteller

haftet nicht für Schäden, die durch den Eingriff nicht autorisierter Personen entstehen; zudem kann dadurch die Garantie erlöschen. Vor der Installation aufmerksam alle Anweisungen lesen.

- Gerät nicht nutzen, falls es nicht ordnungsgemäß funktioniert oder sichtbare Beschädigungen aufweist.
- Nach jeder Benutzung prüfen, ob die Funktionsknöpfe des Produktes ausgeschaltet sind.

### **Elektrische Sicherheit**

- Falls das Produkt einen Fehler aufweist, sollten es bis zur Reparatur durch einen autorisierten Kundendienstmitarbeiter nicht in Betrieb genommen werden. Es besteht Stromschlaggefahr!
- Schließen Sie das Produkt nur an eine geerdete Steckdose an, deren Spannung und Schutz den Angaben unter „Technische Daten“ entsprechen. Lassen Sie durch einen qualifizierten Elektriker eine Erdung vornehmen. Unser Unternehmen haftet nicht für Probleme, die durch ein nicht entsprechend den örtlichen Richtlinien geerdetes Produkt entstehen.
- Reinigen Sie das Produkt niemals, indem Sie Wasser darauf verteilen oder schütten! Es besteht Stromschlaggefahr!

- Das Produkt darf während Installation, Wartung, Reinigung und Reparatur nicht an eine Steckdose angeschlossen sein.
- Falls das Netzkabel des Produktes beschädigt ist, muss es zur Vermeidung von Gefahren vom Hersteller, einem Kundendienstmitarbeiter oder vergleichbar qualifizierten Personen ausgetauscht werden.
- Das Gerät muss so installiert sein, dass es vollständig vom Netzwerk getrennt werden kann. Die Trennung muss entsprechend den Baurichtlinien entweder durch einen Netzstecker oder einen in der festen elektrischen Installation eingebauten Schalter ermöglicht werden.
- Die Rückseite des Ofens wird im Betrieb heiß. Achten Sie darauf, dass der Elektroanschluss die Rückseite nicht berührt; andernfalls kann der Anschluss beschädigt werden.
- Klemmen Sie das Netzkabel nicht zwischen Backofentür und Rahmen ein; führen Sie es nicht über heiße Oberflächen. Andernfalls kann die Kabelisolierung schmelzen und in Folge eines Kurzschlusses einen Brand verursachen.
- Jegliche Arbeiten an elektrischen Geräten und Systemen sollten von autorisierten und qualifizierten Personen ausgeführt werden.

- Schalten Sie das Gerät bei Schäden aus, unterbrechen Sie die Stromversorgung. Schalten Sie dazu die Sicherungen im Haus ab.
- Stellen Sie sicher, dass die Sicherungsangaben mit dem Produkt kompatibel sind.

### **Produktsicherheit**

- Das Gerät und seine zugänglichen Teile werden während des Betriebs heiß. Keine Heizelemente berühren. Kinder unter 8 Jahren fernhalten, sofern nicht kontinuierlich beaufsichtigt.
- Produkt niemals nutzen, wenn Urteilsvermögen oder Koordination durch Alkohol und/oder Drogen beeinträchtigt sind.
- Bei alkoholischen Getränken in den Gerichten entsprechend vorsichtig sein. Alkohol verdampft bei hohen Temperaturen und kann durch Entzünden bei Kontakt mit heißen Oberflächen Feuer verursachen.
- Keine brennbaren Materialien in der Nähe des Produktes aufstellen, da die Seiten während des Gebrauchs heiß werden können.
- Während des Gebrauchs wird das Gerät heiß. Keine Heizelemente im Inneren des Backofens berühren.
- Darauf achten, dass keine Belüftungsschlitze blockiert werden.
- Keine geschlossenen Dosen und Glasgefäße im Ofen erhitzen. Der in der Dose/im Glasgefäß

entstehende Druck könnte Dose/Glasgefäß bersten lassen.

- Backbleche, Gerichte und Alufolie nicht direkt auf den Boden des Backofens stellen. Der Hitzestau kann den Boden des Backofens beschädigen.
- Zur Reinigung der Backofen-Glastür keine aggressiven scheuernden Reiniger oder scharfen Metallschaber verwenden, da diese die Oberfläche zerkratzen und so das Glas springen lassen können.
- Zur Reinigung des Gerätes keine Dampfreiniger verwenden; andernfalls besteht Stromschlaggefahr.
- Gitterroste wie unter „Backofen bedienen“ beschrieben verwenden.
- Produkt nicht verwenden, falls das Glas der Fronttür entfernt oder gesprungen ist.
- Griff der Ofentüre nicht zum Trocknen von Geschirrtüchern verwenden. Keine Geschirrtücher, Handschuhe oder vergleichbare Textilprodukte aufhängen, wenn die Grillfunktion bei geöffneter Tür arbeitet.
- Beim Hineingeben oder Herausnehmen von Gerichten in den/aus dem heißen Ofen immer hitzebeständige Handschuhe verwenden.
- Zur Vermeidung von Stromschlaggefahr vor dem Auswechseln der Lampe

sicherstellen, dass das Gerät abgeschaltet ist.

Brandschutzvorkehrungen des Produktes:

- Sicherstellen, dass der Stecker richtig in die Steckdose eingesteckt ist und keine Funken erzeugt.
- Keine beschädigten oder abgeschnittenen Kabel bzw. Verlängerungskabel verwenden; nur das Originalkabel einsetzen.
- Beim Anschließen des Produktes sicherstellen, dass sich keine Flüssigkeit oder Feuchtigkeit am Stecker befindet.

## **Bestimmungsgemäße**

### **Verwendung**

- Dieses Gerät wurde für den reinen Hausgebrauch entwickelt. Eine gewerbliche Nutzung ist nicht zulässig.
- Dieses Gerät dient ausschließlich der Zubereitung von Speisen. Es darf nicht zu anderen Zwecken eingesetzt werden.
- Benutzen Sie das Gerät nicht zum Vorwärmen von Tellern, hängen Sie keine Küchentücher, Handtücher und dergleichen zum Trocknen oder Anwärmen an die Griffe.
- Der Hersteller haftet nicht für Schäden, die durch unsachgemäßen Gebrauch oder falsche Bedienung verursacht werden.

- Das Gerät ist zum Garen, Auftauen, Backen, Braten und Grillen von Lebensmitteln geeignet.

### **Sicherheit von Kindern**

- Verschiedene Teile des Gerätes werden während des Gebrauchs heiß. Daher kleine Kinder vom Gerät fernhalten.
- Verpackungsmaterialien können eine Gefahr für Kinder darstellen. Sämtliche Verpackungsmaterialien an einem sicheren Ort und außerhalb der Reichweite von Kindern aufbewahren.
- Elektrische Produkte können eine Gefahr für Kinder darstellen. Kinder im Betrieb daher unbedingt vom Gerät fernhalten. Kinder nicht mit dem Gerät spielen lassen.
- Keine Gegenstände auf das Gerät stellen, die Kinder erreichen können.
- Wenn die Ofentür geöffnet ist, **keine** schweren Gegenstände darauf ablegen und **keine** Kinder darauf sitzen lassen. Das Gerät kann kippen oder die Ofentür oder die Türscharniere können beschädigt werden.

### **Altgeräte entsorgen**

#### **Erfüllung von WEEE-Vorgaben zur Entsorgung von Altgeräten:**



Dieses Produkt erfüllt die Vorgaben der EU-WEEE-Direktive (2012/19/EU). Das Produkt wurde mit einem Klassifizierungssymbol für elektrische und elektronische Altgeräte (WEEE) gekennzeichnet.

Dieses Gerät wurde aus hochwertigen Materialien hergestellt, die wiederverwendet und recycelt werden können. Entsorgen Sie das Gerät am Ende seiner Einsatzzeit nicht mit dem regulären Hausmüll; geben Sie es stattdessen bei einer Sammelstelle zur Wiederverwertung von elektrischen und elektronischen Altgeräten ab. Ihre Stadtverwaltung informiert Sie gerne über geeignete Sammelstellen in Ihrer Nähe.

### **Einhaltung von RoHS-Vorgaben:**

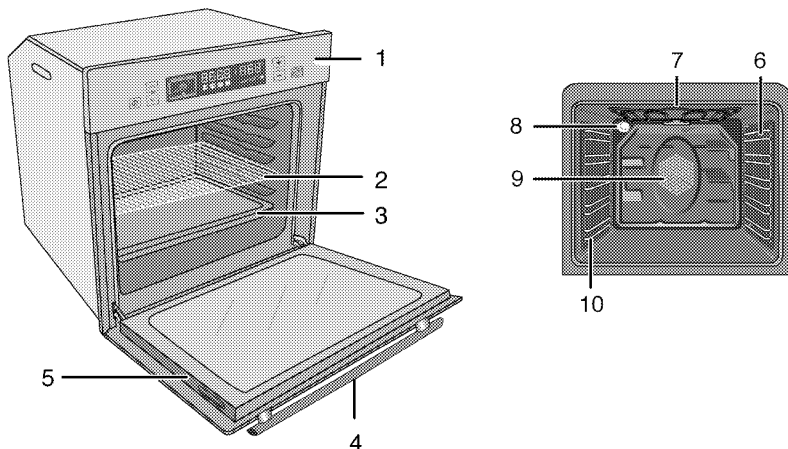
Das von Ihnen erworbene Produkt erfüllt die Vorgaben der EU-RoHS Direktive (2011/65/EU). Es enthält keine in der Direktive angegebenen gefährlichen und unzulässigen Materialien.

### **Verpackungsmaterialien entsorgen**

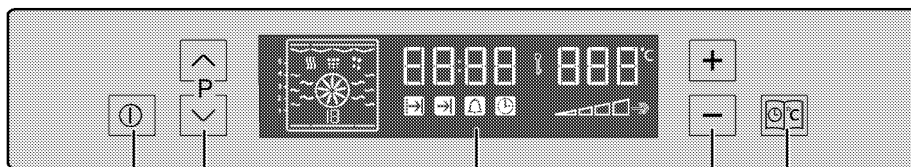
- Die Verpackung des Gerätes besteht aus wiederverwertbaren Materialien. Entsorgen Sie diese vorschriftsgemäß und entsprechend sortiert. Entsorgen Sie solche Materialien nicht mit dem normalen Hausmüll.

## 2 Allgemeine Informationen

### Geräteübersicht



- |   |            |    |                                       |
|---|------------|----|---------------------------------------|
| 1 | Bedienfeld | 6  | Einschubpositionen                    |
| 2 | Gitterrost | 7  | Oberes Heizelement                    |
| 3 | Backblech  | 8  | Beleuchtung                           |
| 4 | Griff      | 9  | Lüftermotor (hinter der Metallplatte) |
| 5 | Tür        | 10 | SURF-Seitenwand                       |



- |   |                                 |
|---|---------------------------------|
| 1 | Ein-/Austaste                   |
| 2 | Programmwahltaete               |
| 3 | Anzeige                         |
| 4 | Temperaturtaete/Zeit einstellen |
| 5 | Menütaste                       |

## Lieferumfang

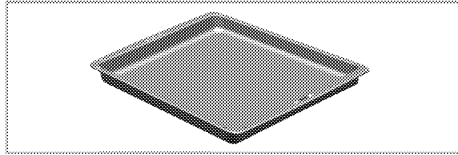


Je nach Modell wird eventuell unterschiedliches Zubehör mitgeliefert. Daher kann es vorkommen, dass nicht sämtliches in der Anleitung erwähntes Zubehör mit Ihrem Gerät geliefert wird.

### 1. Bedienungsanleitung

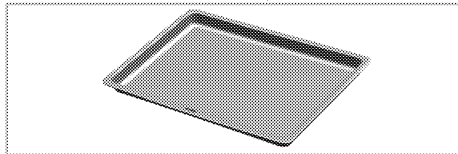
### 2. Backblech

Für Backwaren, Tiefkühlgerichte und große Braten.



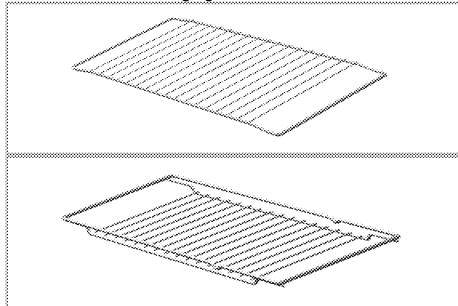
### 3. Kuchenblech

Für Gebäck wie Kekse, Biskuits und Kuchen.



### 4. Gitterrost

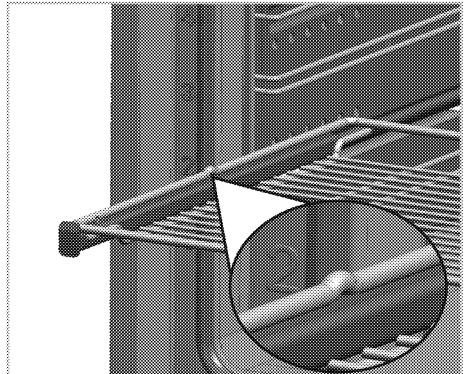
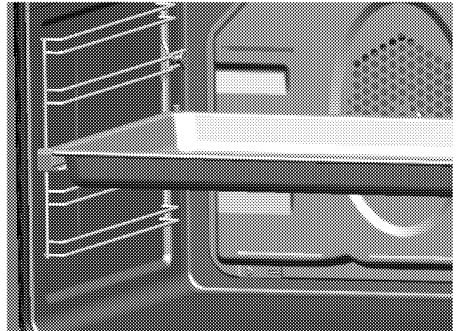
Zum Rösten und Grillen und als Unterlage für Behälter, in denen unterschiedlichste Lebensmittel gegart werden können.



### 5. Gitterrost und Backblech richtig in die Teleskopeinschübe einschieben

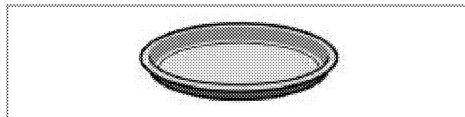
Durch die Teleskopeinschübe lassen sich Bleche und Rost besonders leicht einlegen und entfernen.

Achten Sie beim Einsatz von Backblech und Gitterrost mit den Teleskopeinschüben darauf, dass die Stifte am rückwärtigen Teil des Teleskopeinschubs die Kanten von Backblech und Gitterrost berühren.



### 6. Pizzablech

Zum Zubereiten von Pizzas und Gebäck.



## Technische Daten

Spannung/Frequenz	220-240 V ~ 50 Hz
Leistungsaufnahme gesamt	3,1 kW
Sicherung	Minimum 16 A
Kabeltyp/Kabelquerschnitt	H05VV-FG 3 x 1,5 mm <sup>2</sup>
Kabellänge	max. 2 m
Außenabmessungen (Höhe/Breite/Tiefe)	595 mm/594 mm/567 mm
Einbaumaße (Höhe/Breite/Tiefe)	**590 oder 600 mm/560 mm/Minimum 550 mm
Hauptofen	<b>Multifunktionsofen</b>
Energieeffizienzklasse #	A
Garraumleuchte	15/25 W
Leistungsaufnahme Grill	2,2 kW

# Allgemeine Hinweise: Energieangaben von Elektroöfen werden gemäß der Richtlinie EN 50304 ermittelt. Die entsprechenden Werte werden unter üblichen Einsatzbedingungen bei Ober-/Unterhitze oder im Umluftbetrieb (sofern vorhanden) ermittelt.

Die Energieeffizienzklasse wird gemäß Funktion ermittelt: je nachdem, ob das Gerät mit den entsprechenden Funktionen ausgestattet ist. 1. Garen mit Eco-Umluft, 2. Turbo-Niedertemperaturgaren, 3. Turbogaren, 4. Ober-/Unterhitze mit Umluft, 5. Ober-/Unterhitze

\*\* Siehe *Installation, Seite 11*.



Im Zuge der Qualitätsverbesserung können sich technische Daten ohne Vorankündigung ändern.



Die Abbildungen in dieser Anleitung dienen lediglich der Veranschaulichung und können etwas vom tatsächlichen Aussehen des Gerätes abweichen.



Angaben am Produkt oder in der begleitenden Dokumentation wurden unter Laborbedingungen unter Berücksichtigung der zutreffenden Richtlinien ermittelt. Solche Werte können je nach Einsatzumgebung und Nutzungsweise des Gerätes abweichen.



### 3 Installation

Gerät vom nächstgelegenen autorisierten Kundendienst gemäß gültigen Bestimmungen installieren lassen. Andernfalls erlischt die Garantie. Der Hersteller haftet nicht für Schäden, die durch Aktivitäten nicht autorisierter Personen entstehen; zudem kann dadurch die Garantie erlöschen.



Die Vorbereitung des Aufstellungsortes und der elektrischen Anschlüsse sind Sache des Kunden.



#### GEFAHR:

Die Installation des Gerätes muss in Übereinstimmung mit sämtlichen zutreffenden Vorschriften zur Elektroinstallation erfolgen.



#### GEFAHR:

Gerät vor der Installation auf eventuelle, sichtbare Defekte untersuchen. Falls Defekte vorliegen, darf das Gerät nicht installiert werden.

Beschädigte Geräte müssen grundsätzlich als Sicherheitsrisiko betrachtet werden.

### Vor der Installation

Das Gerät ist für den Einbau in handelsübliche Küchenmöbel vorgesehen. Zwischen Gerät und angrenzenden Küchenwänden und -möbeln muss ein Sicherheitsabstand verbleiben. Siehe Abbildung auf der nächsten Seite (Angaben in mm)..

- Oberflächen, Kunststoffbeläge und verwendete Kleber müssen hitzebeständig sein (bis mindestens 100 °C).
- Küchenmöbel müssen waagrecht ausgerichtet und fixiert sein.
- Befindet sich unter dem Backofen eine Schublade, muss zwischen Backofen und Schublade ein Trennboden eingesetzt werden.
- Tragen Sie das Gerät grundsätzlich mit mindestens zwei Personen.



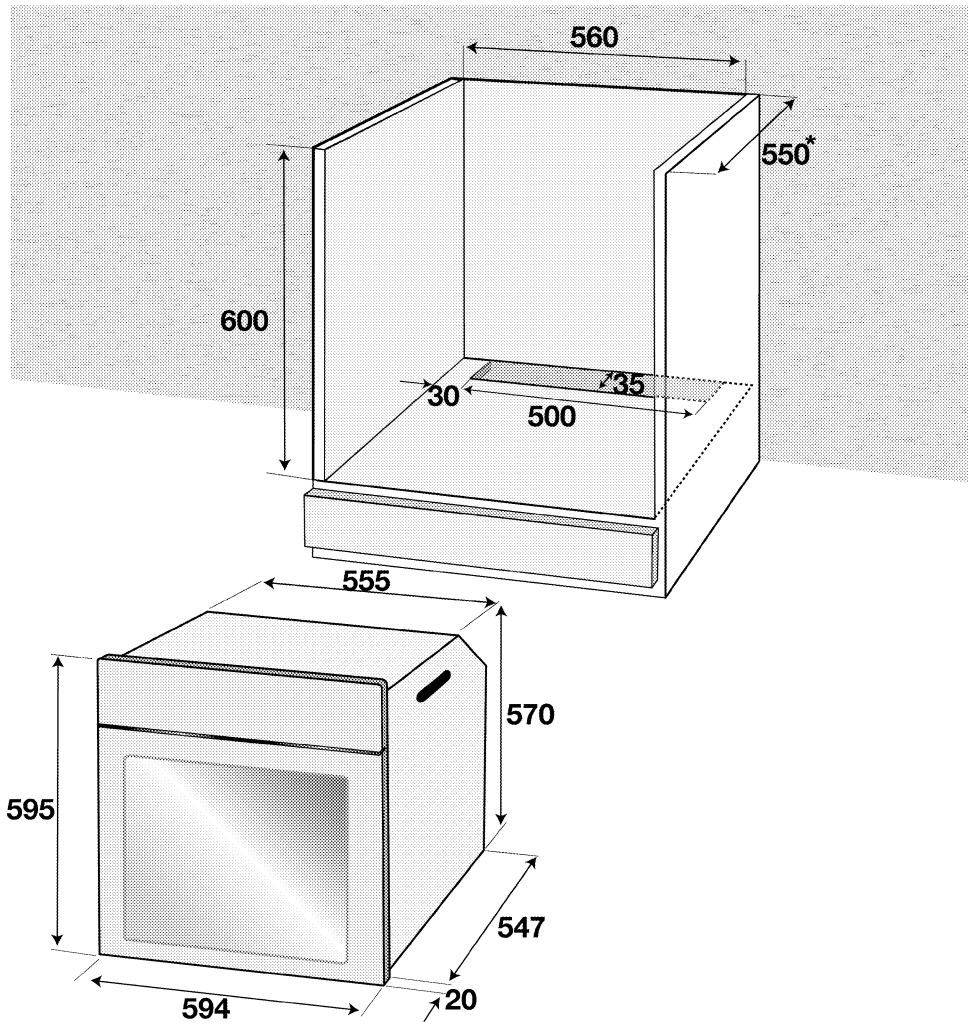
Stellen Sie das Gerät nicht neben Kühl- oder Gefriergeräten auf. Die Wärmeabgabe des Gerätes führt zu steigendem Energieverbrauch der Kühlgeräte.



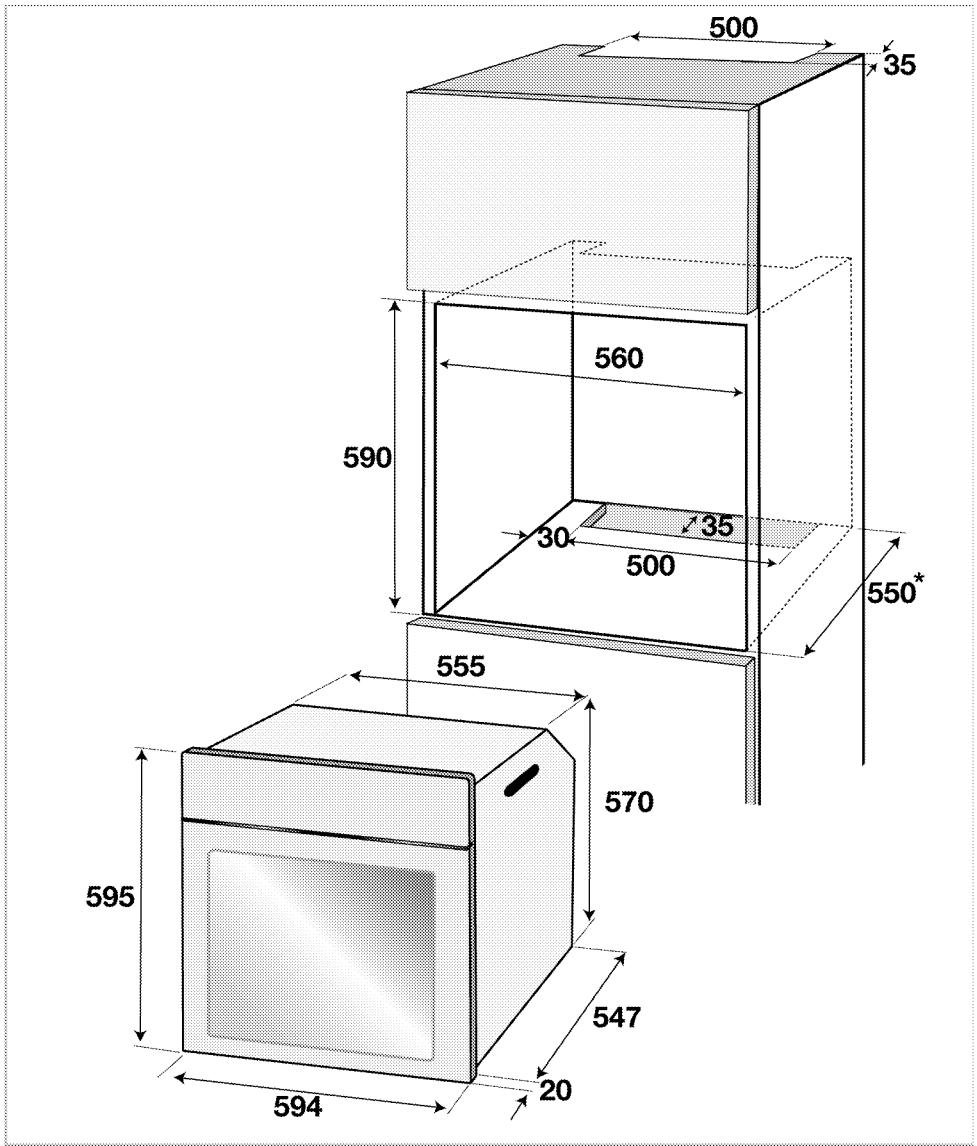
Missbrauchen Sie die Tür/den Türgriff nicht zum Anheben oder Bewegen des Gerätes.



Bei Geräten mit Drahtgriffen schieben Sie die Griffe nach dem Transport des Gerätes wieder in die Seitenwände zurück.



\* Minimum



\* Minimum

## Einbauen und Anschließen

- Das Gerät darf nur nach den gesetzlichen Installationsvorschriften angeschlossen und installiert werden.

### Elektrischer Anschluss

Schließen Sie das Gerät an eine geerdete Schutzkontaktsteckdose/Leitung an, die mit einer Sicherung passender Stromstärke abgesichert wird, siehe dazu den Abschnitt „Technische Daten“. Lassen Sie die Erdung in jedem Fall von einem qualifizierten Elektriker vornehmen oder überprüfen. Der Hersteller haftet nicht bei Schäden, die durch den Einsatz des Gerätes ohne vorschriftsmäßige Erdung entstehen.



#### GEFAHR:

Das Gerät darf nur von einer autorisierten Fachkraft an das Stromnetz angeschlossen werden. Die Garantiezeit beginnt erst mit der fachgerechten Installation. Der Hersteller haftet nicht für Schäden, die durch Aktivitäten nicht autorisierter Dritter entstehen.



#### GEFAHR:

Das Netzkabel darf nicht eingeklemmt, geknickt oder gequetscht werden und darf nicht mit heißen Geräteteilen in Berührung kommen. Beschädigte Netzkabel müssen durch einen zugelassenen Elektriker ausgetauscht werden. Andernfalls kann es zu Stromschlägen, Kurzschlüssen und Bränden kommen!

- Der Anschluss muss gemäß nationalen Richtlinien erfolgen.
- Die Netzanschlussdaten müssen mit den Daten auf dem Typenschild des Gerätes übereinstimmen. Das Typenschild finden Sie nach Öffnen der Ofentür an der Unterseite des Gerätes.
- Verwenden Sie nur Netzkabel, die den Angaben im Abschnitt „Technische Daten“ entsprechen.



#### GEFAHR:

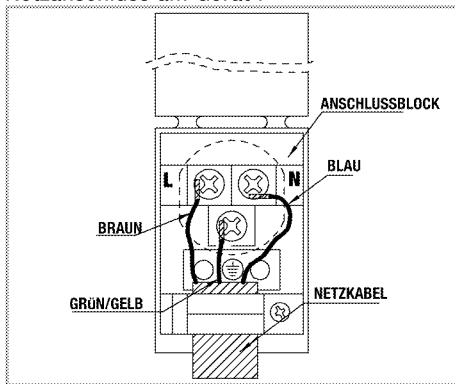
Trennen Sie das Gerät vollständig von der Stromversorgung, bevor Sie mit der Elektroinstallation beginnen. Es besteht Stromschlaggefahr!

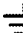
### Netzkabel anschließen

1. Falls der Netzanschluss nicht vollständig getrennt werden kann, muss ein Trennschalter (Sicherung, Netzschalter oder dergleichen) mit mindestens 3 mm Kontaktabstand zwischengeschaltet werden. Die einschlägigen Installationsvorschriften (in Deutschland VDE 0100) sind dabei einzuhalten. Bei Nichtbeachtung kann es zu Betriebsstörungen und zum Erlöschen der Garantie kommen.

Wir empfehlen eine zusätzliche Absicherung mit einem Fehlerstromschutzschalter (FI-Schutzschalter).

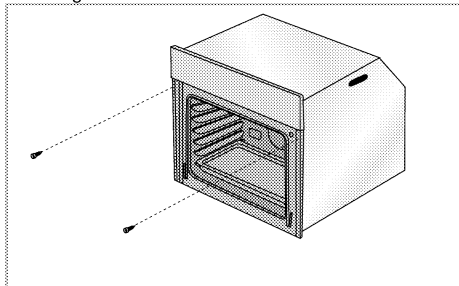
#### Netzanschluss am Gerät :



2. Bei Einphasenanschluss erfolgt der Anschluss der Kabel wie folgt:
  - Braunes/Schwarzes Kabel = L (Phase)
  - Blaues/graues Kabel = N (Nullleiter)
  - Grünes/gelbes Kabel = (E)  (Erde)

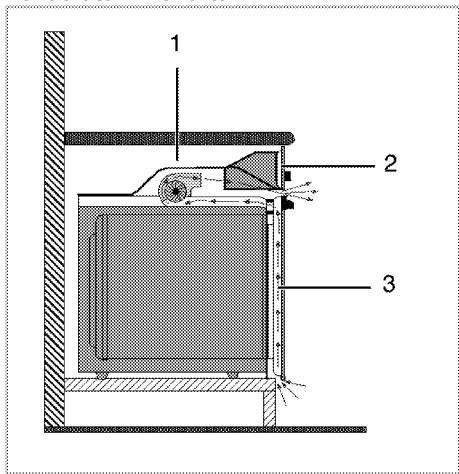
## Gerät installieren

1. Schieben Sie den Backofen in die vorgesehene Nische/Küchenschrank, richten Sie ihn richtig aus und fixieren Sie ihn – achten Sie dabei unbedingt darauf, dass das Netzkabel nicht beschädigt oder eingeklemmt wird.



Fixieren Sie den Backofen wie in der Abbildung gezeigt mit zwei Schrauben.

## Bei Geräten mit Lüfter



- 1 Lüfter
- 2 Bedienfeld
- 3 Tür

Der integrierte Lüfter kühlt den Einbauschränk und die Vorderseite des Gerätes.

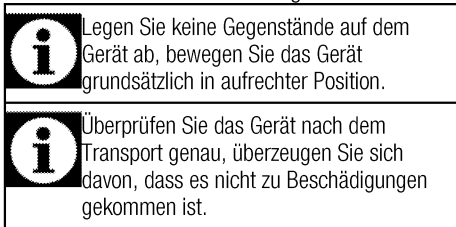


## Endkontrolle

1. Schalten Sie die entsprechende Sicherung ein.
2. Prüfen Sie die Funktion.

## Transport

- Bewahren Sie den Originalkarton auf, falls Sie das Gerät künftig transportieren müssen. Halten Sie sich an die Hinweise auf dem Karton. Falls Sie den Originalkarton nicht mehr besitzen sollten, verpacken Sie das Gerät in Luftpolsterfolie oder starken Karton, anschließend gut mit Klebeband sichern.
- Damit Gitterroste und Bleche nicht zu Beschädigungen der Ofentür führen, schützen Sie die Ofentür von innen mit einem passenden Stück Karton. Fixieren Sie die Ofentür mit Klebeband.
- Verwenden Sie die Tür/den Türgriff nicht zum Anheben oder Bewegen des Gerätes.



## 4 Vorbereitungen

### Tipps zum Energiesparen

Mit den folgenden Hinweisen nutzen Sie Ihr Gerät umweltbewusst und energiesparend:

- Verwenden Sie am besten dunkles oder emailliertes Kochgeschirr – dies leitet die Wärme besser.
- Lassen Sie den Backofen vorheizen, wenn dies durch Bedienungs- oder Zubereitungsanleitung empfohlen wird.
- Verzichten Sie bei der Zubereitung auf häufiges Öffnen der Backofentür.
- Bereiten Sie mehrere Gerichte gleichzeitig zu, sofern dies möglich ist. Dazu stellen Sie einfach mehrere Behälter auf den Gitterrost.
- Größere Gerichte und solche, deren Geschmack sich nicht gegenseitig beeinflussen soll, bereiten Sie nacheinander zu. Der Backofen ist dann bereits vorgeheizt.

- Sie können zusätzliche Energie sparen, indem Sie den Backofen ein paar Minuten vor Ende der Garzeit bereits abschalten. Verzichten Sie während der Zubereitung möglichst auf ein Öffnen der Backofentür.
- Tauen Sie gefrorene Gerichte vor der Zubereitung auf.

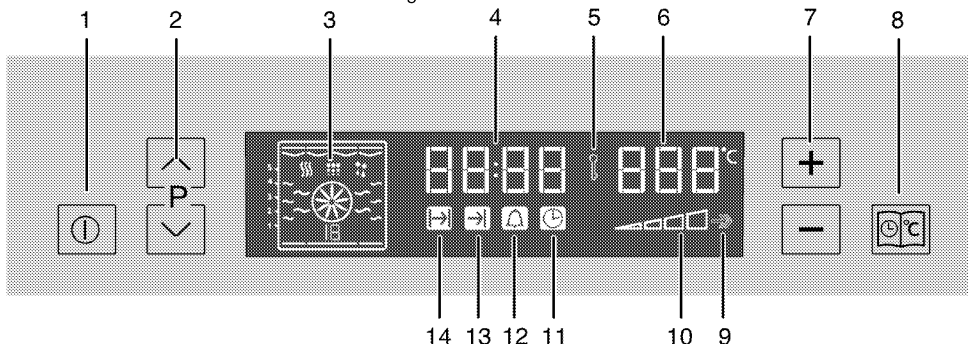
### Erste Inbetriebnahme

#### Erste Zeiteinstellung

1. Das Uhrensymbol '11' wird aktiviert, sobald der Ofen das erste Mal in Betrieb genommen wird. Stellen Sie die gewünschte Zeit ein, indem Sie die Tasten „+“ oder „-“ (7) drücken.



Längeres Drücken der Tasten lässt die Zeitanzeige schneller durchlaufen.



- 1 Ein-/Austaste
- 2 Programmwahltaste
- 3 Funktionsanzeige
- 4 Uhrzeitanzeige
- 5 Tastensperre-Symbol
- 6 Temperaturanzeige
- 7 Temperatur-/Zeittaste (+ und -)
- 8 Menütaste
- 9 Schnellheizensymbol (Schnellheizen)
- 10 Temperatursymbol
- 11 Uhrensymbol
- 12 Alarmsymbol
- 13 Garzeitendesymbol
- 14 Garzeitsymbol



Wenn die aktuelle Zeit noch nicht eingestellt ist, beginnt die Zeitanzeige bei 12:00. Das Uhrensymbol '11' wird ständig angezeigt und signalisiert, dass die aktuelle Zeit noch nicht eingestellt wurde. Das Symbol verschwindet nach der Zeiteinstellung.

## Zeit nachträglich einstellen

1. Drücken Sie mehrmals kurz die Menütaste (8), bis das Uhersymbol (11) aktiviert ist.
2. Stellen Sie die gewünschte Zeit ein, indem Sie die Tasten „+“ oder „-“ (7) drücken.



Bei einem Stromausfall geht die Zeiteinstellung verloren. Eine Neueinstellung ist erforderlich. Die Uhrzeit kann nur eingestellt werden, wenn der Ofen nicht arbeitet.

## Erstreinigung des Gerätes



Durch bestimmte Reinigungsmittel können die Oberflächen des Gerätes beschädigt werden.

Verwenden Sie keine aggressiven Reinigungsmittel, keine Scheuermittel und keine scharfen oder spitzen Gegenstände bei der Reinigung.

1. Entfernen Sie sämtliches Verpackungsmaterial.
2. Geräteoberflächen mit einem feuchten Tuch oder Schwamm abwischen und mit einem Tuch trocknen.

## Erstaufheizung

Lassen Sie das Gerät etwa 30 Minuten lang aufheizen, schalten Sie es anschließend ab. Auf diese Weise werden sämtliche Rückstände und Beschichtungen durch Abbrennen entfernt.



### WARNUNG

Verbrennungsgefahr durch heiße Flächen!

Das Gerät kann sich im Betrieb stark aufheizen. Berührung Sie niemals heiße Brenner, das Innere des Backofens, Heizelemente und so weiter. Halten Sie Kinder fern.

Tragen Sie grundsätzlich hitzebeständige Schutzhandschuhe, wenn Sie etwas in den Backofen stellen oder herausnehmen.

## Elektroofen

1. Nehmen Sie sämtliches Zubehör (z. B. Backbleche und Gitterrost) aus dem BackOfen heraus.
2. Schließen Sie die BackOfentür.
3. Wählen Sie die Einstellung „Ober- und Unterhitze“.
  1. Wählen Sie die höchste Ofentemperatur; Siehe "So bedienen Sie den Backofen, Seite 19".
  2. Lassen Sie den BackOfen etwa 30 Minuten lang arbeiten.
  3. Schalten Sie den BackOfen ab; Siehe "So bedienen Sie den Backofen, Seite 19"

## Grill

1. Nehmen Sie sämtliches Zubehör (z. B. Backbleche und Gitterrost) aus dem BackOfen heraus.
2. Schließen Sie die BackOfentür.
3. Wählen Sie die höchste Temperatureinstellung; Siehe "So bedienen Sie den Grill, Seite 27".
4. Lassen Sie den Grill etwa 30 Minuten lang arbeiten.
5. Schalten Sie den Grill ab; Siehe "So bedienen Sie den Grill, Seite 27"



Bei der ersten Inbetriebnahme kann es über mehrere Stunden zu Rauch- und Geruchsentwicklung kommen. Dies ist völlig normal. Lüften Sie den Raum gut durch, damit Rauch und Gerüche schnell abziehen können. Atmen Sie die Dämpfe möglichst nicht ein.

## 5 Bedienung des Backofens

### Allgemeine Hinweise zum Backen, Braten und Grillen



#### WARNUNG

Verbrennungsgefahr durch heiße Flächen!

Das Gerät kann sich im Betrieb stark aufheizen. Berührung Sie niemals heiße Brenner, das Innere des Backofens, Heizelemente und so weiter. Halten Sie Kinder fern.

Tragen Sie grundsätzlich hitzebeständige Schutzhandschuhe, wenn Sie etwas in den Backofen stellen oder herausnehmen.



#### GEFAHR:

Öffnen Sie die Backofentür vorsichtig: Heißer Dampf kann austreten.

Der austretende Dampf kann zu Verbrühungen von Händen, Gesicht und Augen führen.

#### Tipps zum Backen

- Benutzen Sie Metallgeschirr mit Antihafbeschichtung oder hitzebeständige Silikonformen.
- Nutzen Sie den Platz auf dem Gitterrost gut aus.
- Stellen Sie Backformen in die Mitte des Gitterrostes.
- Wählen Sie die richtige Einschubposition, bevor Sie Backofen oder Grill einschalten. Wechseln Sie die Einschubposition nicht, solange der Backofen heiß ist.
- Halten Sie die Backofentür geschlossen.

#### Tipps zum Rösten

- Eine Würzmischung aus Zitronensaft und schwarzem Pfeffer sorgt für eine besonders schmackhafte Zubereitung von ganzen Hühnern, Puten und größeren Fleischportionen.
- Fleisch mit Knochen braucht etwa 15 – 30 Minuten länger zum Garen als dieselbe Menge Fleisch ohne Knochen.
- Jeder Zentimeter an Fleischdicke braucht etwa 4 – 5 Minuten mehr an Garzeit.

- Lassen Sie Fleisch nach Ablauf der Garzeit noch etwa 10 Minuten im Backofen ruhen. Der Fleischsaft verteilt sich so gleichmäßiger im Braten und läuft beim Anschneiden nicht aus.
- Fisch stellen Sie auf einem hitzebeständigem Teller möglichst in der mittleren oder unteren Einschubposition in den Backofen.

#### Tipps zum Grillen

Fleisch, Geflügel und Fisch werden durch das Grillen schnell braun, bekommen eine schöne Kruste und trocknen dabei nicht aus. Insbesondere flache Stücke, Fleischspieße und Würstchen sowie Gemüse mit hohem Wasseranteil (wie Tomaten oder Zwiebeln) sind zum Grillen gut geeignet.

- Verteilen Sie das Grillgut so auf dem Gitterrost, dass es nicht über die Kanten des Gitterrostes hinausragt.
- Schieben Sie den Gitterrost (mit darunter eingeschobener Tropfschale) in die richtige Einschubposition. Vergessen Sie nicht, die Tropfschale beim Grillen in den untersten Einschub einzuschieben, damit das Fett aufgefangen wird. Geben Sie etwas Wasser in die Tropfschale – so wird die Reinigung einfacher.



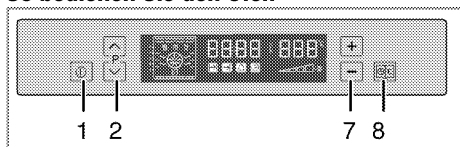
Lebensmittel, die nicht zum Grillen geeignet sind, können sich im schlimmsten Fall entzünden. Grillen Sie nur Lebensmittel, die bei der starken Hitze beim Grillen keinen Schaden nehmen.

Platzieren Sie das Grillgut nicht nahe der Backofenrückwand. Dort wird es besonders heiß, fettes Grillgut kann in Brand geraten.



## So bedienen Sie den Backofen

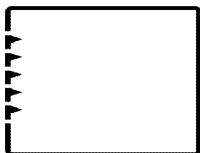
### So bedienen Sie den Ofen



- 1 Programmwahl Taste
  - 2 Temperaturtaste/Zeit einstellen
  - 7 Menütaste
  - 8 Ein-/Austaste
1. Schalten Sie den Ofen ein, indem Sie die Ein-/Austaste (1) etwa 2 Sekunde gedrückt halten.

### Temperatur und Betriebsart einstellen

Sobald der Ofen eingeschaltet ist, erscheint eine leere Funktionsanzeige.



Wenn sich die Anzeige in diesem Modus befindet, können Garzeit, Garzeitende und die Schnellheizen-Funktion eingestellt werden.



Wenn innerhalb 10 Sekunden keine Einstellungen vorgenommen werden, schaltet sich der Ofen automatisch ab.

1. Wählen Sie mit  $\wedge$  /  $\vee$  (2) die gewünschte Betriebsart (Funktion).
2. Stellen Sie die gewünschte Temperatur ein, indem Sie die Tasten „+“ oder „-“ (7) drücken.

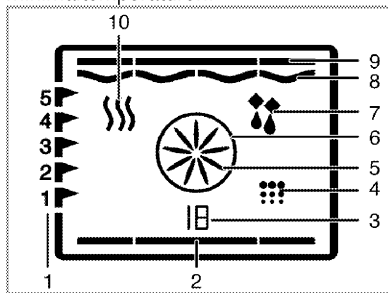


Längeres Drücken der Tasten lässt die Zeitanzeige schneller durchlaufen.

- » Ihr Ofen beginnt mit der gewünschten Funktion zu arbeiten und steigert die Innentemperatur bis zur eingestellten Temperatur.
- » In der Funktionsanzeige leuchten Symbole für aktive Heizelemente und die empfohlene Einschubposition auf.
- » Falls noch keine Temperatur eingestellt ist, erscheint die bei der festgelegten Temperatur empfohlene Funktion in der Temperaturanzeige.

### Funktionstabelle:

In der Funktionstabelle finden Sie sämtliche Ofenfunktionen mit den jeweiligen Maximal- und Minimaltemperaturen.



- 1 Einschubpositionen
- 2 Unterhitze
- 3 Funktionsnummer
- 4 Reinigungsposition
- 5 Schnellheizlüfter
- 6 Schnellheizelement
- 7 Umluftbetrieb
- 8 Grillheizelement
- 9 Oberhitze
- 10 Warmhalten






Die Funktionen können je nach Modell unterschiedlich ausfallen.

Funktionstabelle	Empfohlene Temperatur (°C)	Temperaturbereich (°C)
Ober- und Unterhitze	200	40-280
Ober- und Unterhitze + Umluft	175	40-280
SURF	180	40-280
3D	205	40-280
Pizza	210	40-280
Umluftgrill groß	200	40-280
Grill groß	280	40-280
Grill	280	40-280
Umluft langsam	180	160-220
Unterhitze	180	40-220
Warmhalten	60	40-100

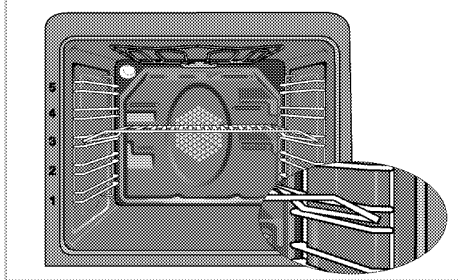


Aus Sicherheitsgründen wird die maximale Garzeit bei sämtlichen Betriebsarten (mit Ausnahme von Warmhalten) auf 6 Stunden begrenzt. Bei Stromausfällen wird die aktuelle Betriebsart aufgehoben. Sie müssen den Ofen also wieder neu einstellen.

-  Bei der Ausführung von Einstellungen blinken die entsprechenden Symbole in der Anzeige.
-  Solange der Ofen arbeitet, kann die aktuelle Uhrzeit nicht eingestellt werden.
-  Die Ofenbeleuchtung leuchtet beim Öffnen der Tür auch dann auf, wenn der Ofen abgeschaltet ist.

**Backofen ausschalten**

Schalten Sie den Ofen aus, indem Sie die Ein-/Austaste (1) etwa 2 Sekunden gedrückt halten.



**Einschubpositionen (bei Modellen mit Grillrost)**

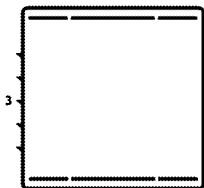
Es ist wichtig, dass der Grillrost richtig in die Einschübe eingesetzt wird. Setzen Sie den Grillrost wie in der Abbildung gezeigt in den Einschub ein.

Achten Sie darauf, dass der Grillrost nicht die Rückwand des Ofens berührt. Schieben Sie den Rost daher nur so weit ein, bis sich die Backofentür problemlos schließen lässt – so funktioniert der Grill am besten.

**Betriebsarten**

Die hier gezeigte Reihenfolge der Betriebsarten kann je nach Gerätemodell etwas abweichen.

**1. Ober- und Unterhitze**



Das Gargut wird gleichzeitig von oben und unten erhitzt. Diese Betriebsart eignet sich

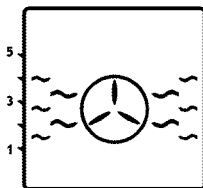
beispielsweise für Kuchen, Gebäck und Aufläufe. Nur ein Blech verwenden. Die geeignete Einschubposition wird in der Anzeige dargestellt.

**2. Ober-/Unterhitze mit Umluft**



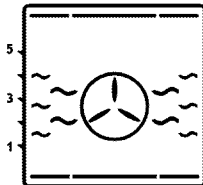
Durch den Lüfter wird heiße Luft von den oberen und unteren Heizelementen gleichmäßig und schnell im Backofen verteilt. Nur ein Blech verwenden.

**3. Surf Funktion**



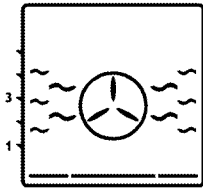
Durch den Lüfter wird heiße Luft vom Umluft-gestützten Heizelement mit hoher Geschwindigkeit im Backofen verteilt. Diese Betriebsart eignet sich zum Garen auf unterschiedlichen Einschubebenen; in den meisten Fällen ist kein Vorheizen erforderlich. Mehrere Bleche können verwendet werden.

**4. 3D"-Funktion**



Oberhitze, Unterhitze und Umluft sind in Betrieb. Das Gargut wird gleichmäßig und schnell von allen Seiten gegart. Nur ein Blech verwenden.

## 5. Pizza-Funktion



Unterhitze und Umluft sind in Betrieb.  
Besonders zum Backen von Pizza geeignet.

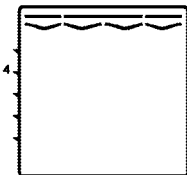
## 6. Grill, groß + Umluft



Durch den Lüfter wird heiße Luft vom Grillelement sehr schnell im Inneren des Backofens verteilt. Diese Betriebsart eignet sich insbesondere zum Grillen größerer Fleischmengen.

- Stellen Sie mittelgroße bis große Portionen auf dem richtigen Einschub direkt unter das Grillelement.
- Stellen Sie die maximale Temperatur ein.
- Wenden Sie das Grillgut nach der Hälfte der Garzeit.

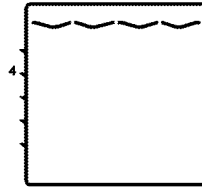
## 7. Grill, groß



Der große Grill an der Oberseite des Backofens ist in Betrieb. Diese Betriebsart eignet sich insbesondere zum Grillen größerer Fleischmengen.

- Stellen Sie mittelgroße bis große Portionen auf dem richtigen Einschub direkt unter das Grillelement.
- Stellen Sie die maximale Temperatur ein.
- Wenden Sie das Grillgut nach der Hälfte der Garzeit.

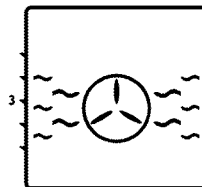
## 8. Grill



Der kleine Grill an der Oberseite des Backofens ist in Betrieb. Geeignet zum Grillen und Überbacken.

- Kleine oder mittelgroße Portionen in der richtigen Einschubposition unter dem Grill-Heizkörper grillen.
- Stellen Sie die maximale Temperatur ein.
- Wenden Sie das Grillgut nach der Hälfte der Garzeit.

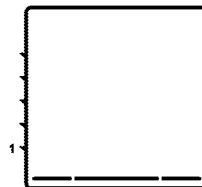
## 9. Umluft - langsam



Wenn Sie Strom sparen möchten, können Sie diese Funktion statt der üblichen Umluft-Funktion im Temperaturbereich 160 bis 220 °C nutzen. Die Garzeit verlängert sich dabei allerdings ein wenig.

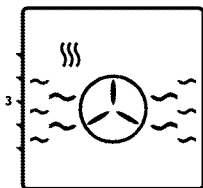
Bitte entnehmen Sie die entsprechenden Garzeiten der Tabelle „Umluft - langsam“.

## 10. Unterhitze



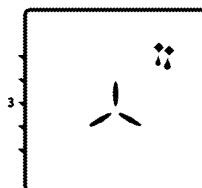
Bei dieser Betriebsart wird lediglich das untere Heizelement eingesetzt. Geeignet z. B. für Pizza und zum Nachbräunen von unten.

## 11. Warmhalten



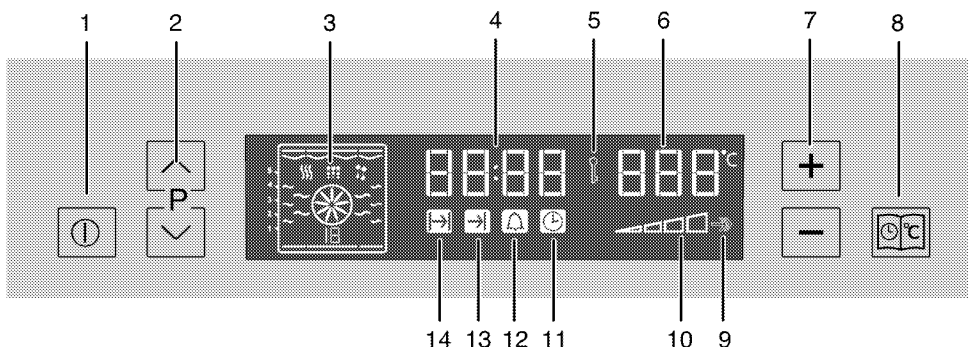
Hiermit können Sie Speisen bei niedriger Temperatur über einen längeren Zeitraum bis zum Servieren warmhalten.

## 12. Umluftbetrieb



Der Backofen wird nicht beheizt. Nur der Lüfter (in der Rückwand) arbeitet. Gefrorene Lebensmittel werden langsam bei Zimmertemperatur aufgetaut, heiße Lebensmittel abgekühlt.

### Das Bedienfeld



- 1 Ein-/Austaste
  - 2 Programmwahltaste
  - 3 Funktionsanzeige
  - 4 Uhrzeitanzeige
  - 5 Tastensperre-Symbol
  - 6 Temperaturanzeige
  - 7 Temperatur-/Zeittaste (+ und -)
  - 8 Menütaste
  - 9 Schnellheizensymbol (Schnellheizen)
  - 10 Temperatursymbol
  - 11 Uhrensymbol
  - 12 Alarmsymbol
  - 13 Garzeitendesymbol
  - 14 Garzeitsymbol
2. Wählen Sie mit  $\wedge$  /  $\vee$  (2) die gewünschte Betriebsart (Funktion).
  3. Wenn der Ofen eingeschaltet ist, drücken Sie zum Aktivieren des Garzeit-Symbols (14) mehrmals kurz die Menütaste (8).
  4. Stellen Sie die Garzeit ein, indem Sie die Tasten „+“ oder „-“ (7) drücken.  
» Nach dem Einstellen der Garzeit leuchtet das Garzeitsymbol (14) weiter.
  5. Schieben Sie die Lebensmittel in den Ofen.
  6. Stellen Sie die Temperatur ein, indem Sie die Tasten „+“ oder „-“ (7) drücken.  
» Der Ofen heizt sich bis zur festgelegten Temperatur auf und hält diese Temperatur bis zum eingestellten Garzeitende. Während des Garens bleibt die Ofenbeleuchtung eingeschaltet.

### Halbautomatischer Betrieb

Bei dieser Betriebsart können Sie vorgeben, wie lange der Ofen arbeiten soll (Garzeit).

1. Schalten Sie den Ofen mit der Ein-/Austaste (1) ein.

**i** Sobald die voreingestellte Temperatur erreicht ist, leuchten sämtliche Segmente der Ofentemperaturanzeige (10) auf.

7. Nach Abschluss des Garens erscheint „**End (Ende)**“ in der Anzeige, Sie hören einen Signalton.
8. Mit der Menü- (8) oder Ein-/Austaste (1) stellen Sie den Signalton ab.
  - » Der Signalton wird abgestellt, der Ofen schaltet sich automatisch aus und zeigt die aktuelle Uhrzeit an.

### Vollautomatischer Betrieb


Bei dieser Betriebsart können Sie Garzeit und Garzeitende vorgeben.

1. Schalten Sie den Ofen mit der Ein-/Austaste (1) ein.
2. Wählen Sie mit  $\wedge$  /  $\vee$  (2) den gewünschte Betriebsart.
3. Drücken Sie zum Aktivieren des Garzeitsymbols (14) mehrmals kurz die Menütaste (8).
4. Stellen Sie die Garzeit ein, indem Sie die Tasten „+“ oder „-“ (7) drücken.
5. Drücken Sie zum Aktivieren des Garzeitendesymbols (13) mehrmals kurz die Menütaste (8).
6. Stellen Sie das Ende der Garzeit ein, indem Sie die Tasten „+“ oder „-“ (7) drücken.
  - » Nach Einstellen des Endes der Garzeit, leuchtet das Garzeitendesymbol (13) weiter.
7. Schieben Sie die Lebensmittel in den Ofen.
8. Stellen Sie die Temperatur ein, indem Sie die Tasten „+“ oder „-“ (7) drücken.
  - » Der Ofentimer berechnet die richtige Startzeit anhand von Garzeitende und Garzeit automatisch. Beim Erreichen der Startzeit wird der ausgewählte Betriebsmodus automatisch eingestellt und der Ofen auf die festgelegte Temperatur vorgeheizt. Diese Temperatur wird bis zum Garzeitende beibehalten. Während des Garens bleibt die Ofenbeleuchtung eingeschaltet.

 Sobald die voreingestellte Temperatur erreicht ist, leuchten sämtliche Segmente der Ofentemperaturanzeige (10) auf.


9. Nach Abschluss des Garens erscheint „**End (Ende)**“ in der Anzeige, Sie hören einen Signalton.
10. Mit der Menü- (8) oder Ein-/Austaste (1) stellen Sie den Signalton ab.

- » Der Signalton wird abgestellt, der Ofen schaltet sich automatisch aus und zeigt die aktuelle Uhrzeit an. Die Ofenlampe schaltet sich aus.

 Falls Sie die halbautomatische oder automatische Programmierung wieder abbrechen möchten, müssen Sie die Garzeit zurücksetzen.

### Schnellheizen verwenden

Mit der Schnellheizen-Funktion bringen Sie den Ofen schneller auf die gewünschte Temperatur; sehr praktisch beim Vorheizen.

 Die Schnellheizen-Funktion kann nur im laufenden Betrieb eingestellt werden. Bei den Betriebsarten Auftauen und Reinigen kann die Schnellheizen-Funktion nicht ausgewählt werden. Bei einem Stromausfall wird die Schnellheizen-Funktion wieder aufgehoben.

1. Drücken Sie mehrmals kurz die Menütaste (8), bis das Schnellheizen-Symbol (9) aktiviert ist.
  - » „**OFF (Aus)**“ erscheint in der Anzeige.
2. Aktivieren Sie die Schnellheizen-Funktion, indem Sie „+“ (7) drücken.
  - » Sobald die Schnellheizen-Funktion aktiviert ist, erscheint „**On (Ein)**“ in der Anzeige und das Schnellheizen-Symbol leuchtet weiter.
  - » Das Schnellheizen-Symbol erlischt, sobald der Ofen die gewünschte Temperatur erreicht hat. Der Ofen wechselt nun zu der Betriebsart, die vor dem Einschalten der Schnellheizen-Funktion ausgewählt wurde.
3. Drücken Sie zum Deaktivieren der Schnellheizen-Funktion mehrmals kurz die Menütaste (8), bis das Schnellheizen-Symbol (9) aktiviert ist.
  - » „**On (Ein)**“ erscheint in der Anzeige.
4. Deaktivieren Sie die Schnellheizen-Funktion, indem Sie „-“ (7) drücken.
  - » „**OFF (Aus)**“ erscheint in der Anzeige.

### Tastensperre Kindersicherung

#### Tastensperre einschalten

Mit der Tastensperre können Sie die unerwünschte Bedienung des Ofens verhindern.



Die Tastensperre können Sie im laufenden Betrieb verwenden und auch dann, wenn der Ofen nicht arbeitet. Auch bei aktiver Tastensperre lässt sich der Ofen nach wie vor abschalten, indem Sie die Ein-/Austaste (1) zwei Sekunden gedrückt halten.

1. Drücken Sie mehrmals kurz die Menütaste (8), bis das Tastensperre-Symbol (5) aktiviert ist.

» „OFF (Aus)“ erscheint in der Anzeige.

2. Aktivieren Sie die Tastensperre mit der Taste „+“ (7).

» Sobald die Tastensperre aktiviert ist, erscheint „On (Ein)“ in der Anzeige und das Tastensperre-Symbol leuchtet weiter.

### Tastensperre ausschalten

1. Aktivieren Sie das Tastensperre-Symbol (5) mit der Menütaste (8).

» „On (Ein)“ erscheint in der Anzeige.

2. Deaktivieren Sie die Tastensperre mit der Taste „-“ (7).

» Sobald die Tastensperre deaktiviert ist, erscheint „OFF (Aus)“ in der Anzeige und das Tastensperre-Symbol (5) wird ausgeblendet.

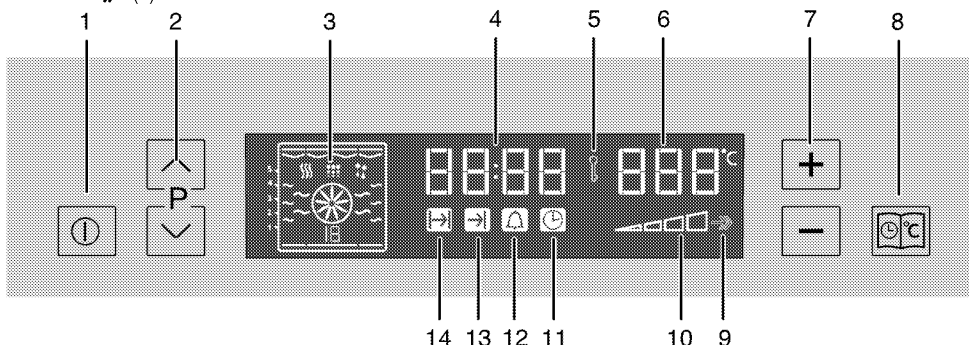


Bei eingeschalteter Tastensperre sind die Bedientaste ohne Funktion. Auch nach einem Stromausfall bleibt die Tastensperre weiterhin eingeschaltet.

### Alarmfunktion

Sie können die Alarmfunktion des Gerätes als Kurzzeitwecker einsetzen, wenn Sie sich an etwas erinnern lassen möchten.

Der Kurzzeitwecker hat keinen Einfluss auf die Funktionen des Backofens. Er wird lediglich zur Erinnerung eingesetzt. Dies ist beispielsweise sinnvoll, wenn Sie Speisen nach einer bestimmten Zeit wenden müssen. Nach Ablauf der eingestellten Zeit wird ein Tonsignal ausgegeben.



- 1 Ein-/Austaste
- 2 Programmwahltaste
- 3 Funktionsanzeige
- 4 Uhrzeitanzeige
- 5 Tastensperre-Symbol
- 6 Temperaturanzeige
- 7 Temperatur-/Zeittaste (+ und -)
- 8 Menütaste
- 9 Schnellheizensymbol (Schnellheizen)
- 10 Temperatursymbol
- 11 Uhrsymbol
- 12 Alarmsymbol
- 13 Garzeitensymbol
- 14 Garzeitsymbol

### Alarmfunktion



Der Kurzzeitwecker hat keinen Einfluss auf die Funktionen des Backofens. Er wird lediglich zur Erinnerung eingesetzt. Dies ist beispielsweise sinnvoll, wenn Sie Speisen nach einer bestimmten Zeit wenden müssen. Nach Ablauf der eingestellten Zeit wird ein Tonsignal ausgegeben.



Die Alarmfunktion kann auf maximal 23 Stunden und 59 Minuten eingestellt werden.



Die Alarmpfunktion können Sie im laufenden Betrieb verwenden und auch dann, wenn der Ofen nicht arbeitet.

### So stellen Sie den Alarm ein

1. Drücken Sie mehrmals kurz die Menütaste (8), bis das Alarmsymbol (12) aktiviert ist.
2. Stellen Sie die Alarmzeit ein, indem Sie die Tasten „+“ oder „-“ (7) drücken.  
» Nach der Zeiteinstellung leuchtet das Alarmsymbol dauerhaft in der Anzeige.
3. Nach Ablauf der Alarmzeit blinkt das Alarmsymbol, ein Tonsignal erklingt.
4. Durch Betätigen einer beliebigen Taste stellen Sie das Tonsignal ab.

### Falls Sie die Alarmpfunktion abbrechen möchten:

1. Drücken Sie mehrmals kurz die Menütaste (8), bis das Alarmsymbol (12) aktiviert ist.
2. Drücken Sie „-“ (7), bis "0.00" in der Anzeige erscheint.

### Garzeitentabelle



Die Zeitangaben in dieser Tabelle sollen als Richtwerte dienen. Zeitangaben können aufgrund von Temperatur, Dicke, Typ der Lebensmittel und Ihren eigenen Vorlieben abweichen.

### Backen und Braten



Der erste Einschub ist der untere Einschub.

Gericht	Leistungsstufe		Einschubposition	Temperatur (°C)	Gardauer (ca.-Angabe in Min.)
Kuchenblech*	Einschub 1		3	175	25 ... 30
Kuchen, Form*	Einschub 1		2	180	50 ... 60
Kuchen in Backpapier*	Einschub 1		3	175	25 ... 30
	Einschub 2		1 - 3	175	35 ... 40
	Einschub 3		1 - 3 - 5	180	35 ... 40
Biskuitkuchen*	Einschub 1		3	200	8 ... 12
	Einschub 2		1 - 3	200	15 ... 20
	Einschub 3		1 - 3 - 5	200	15 ... 20
Kekse*	Einschub 1		3	175	25 ... 30
	Einschub 2		1 - 3	175	30 ... 40
	Einschub 3		1 - 3 - 5	175	35 ... 45
Teiggebäck*	Einschub 1		2	200	30 ... 40
	Einschub 2		1 - 3	200	45 ... 55
	Einschub 3		1 - 3 - 5	200	45 ... 55
Teufchen*	Einschub 1		2	200	25 ... 35
	Einschub 2		1 - 3	200	35 ... 45
	Einschub 3		1 - 3 - 5	200	35 ... 45
Sauerteig*	Einschub 1		2	200	35 ... 45
Lasagne*	Einschub 1		2 - 3	200	30 ... 40
Pizza*	Einschub 1		2	200 ... 220	15 ... 20
	Einschub 1		3	200	10 ... 15
Rindersteak (ganz)/Braten	Einschub 1		3	25 Min. bei 250 max., dann 180 ... 190	100 ... 120
Lammkeule (Auffauf)	Einschub 1		3	25 Min. bei 250 max., dann 190	70 ... 90
	Einschub 1		3	25 Min. bei 250 max., dann 190	60 ... 80
Brathähnchen	Einschub 1		2	15 Min. bei 250 max., dann 180 ...	55 ... 65

				190	
	Einschub 1		2	15 Min. bei 250 max., dann 180 ... 190	55 ... 65
Pute (5,5 kg)	Einschub 1		1	25 Min. bei 250 max., dann 180 ... 190	150 ... 210
	Einschub 1		1	25 Min. bei 250 max., dann 180 ... 190	150 ... 210
Fisch	Einschub 1		3	200	20 ... 30
	Einschub 1		3	200	20 ... 30

Wenn Sie mit zwei Blechen gleichzeitig arbeiten, wählen Sie den oberen Einschub für das tiefe, den unteren Einschub für das andere Blech.  
\* Wir empfehlen, den Ofen grundsätzlich vorzuheizen.

(\*\*) Wenn vorgeheizt werden muss, lassen Sie den Ofen zu Beginn vorheizen, bis das Ofentemperatursymbol (8) den letzten Wert erreicht hat.

### Niedertemperaturgaren

Verändern Sie die Temperatureinstellung nach Beginn des Garens nicht mehr, wenn Sie Niedertemperaturgaren nutzen.

Halten Sie die Backofentür beim Niedertemperaturgaren geschlossen.

Gericht	Leistungstufe		Einschubposition	Temperatur (°C)	Gardauer (ca.-Angabe in Min.)
Flleichauffauf	Einschub 1		2	160	100 ... 120
Geflügelauffauf	Einschub 1		2	160	70 ... 100
Weißer Bohnen	Einschub 1		2	160	130 ... 150
Auberginenauffauf	Einschub 1		2	160	130 ... 150
Steak, ganz	Einschub 1		2	160	110 ... 130
Steak, geschnitten	Einschub 1		2	160	100 ... 120
Kuchen in Backpapier	Einschub 1		2	185	35 ... 40
Kekse	Einschub 1		2	185	30 ... 35
Teiggebäck	Einschub 1		2	200	40 ... 45
Teilchen	Einschub 1		2	200	40 ... 45

- 6 bis 7 Minuten lang vorheizen.
- Weißes und rotes Fleisch muss vor dem Niedertemperaturgaren kräftig von beiden Seiten angebraten werden.
- Weiße Bohnen werden vor dem Niedertemperaturgaren 30 Minuten lang gekocht. Bohnen aus der Dose müssen nicht vorgekocht werden.
- Durch Abdecken der Gargeschirrs lässt sich die Garzeit in den meisten Fällen verkürzen.

### Tipps zum Kuchenbacken

- Falls Gebäck zu trocken wird, erhöhen Sie die Temperatur etwas und vermindern gleichzeitig die Garzeit.
- Werden Kuchen zu feucht, reduzieren Sie die Flüssigkeiten oder senken die Temperatur um 10 °C.
- Sofern die Oberseite des Kuchens zu stark gebräunt wird, backen Sie etwas länger mit reduzierter Temperatur.

- Wenn der Kuchen außen gut gelingt, innen jedoch noch klebrig ist, geben Sie weniger Flüssigkeit hinzu, senken die Temperatur und verlängern dafür die Garzeit etwas.

### Tipps für Gebäck

- Falls Gebäck zu trocken wird, erhöhen Sie die Temperatur etwas und vermindern gleichzeitig die Garzeit. Befeuchten Sie den Teig mit einer Mischung aus Milch, Öl, Ei und Joghurt.



- Sollte Gebäck sehr lange zum Garen benötigen, achten Sie darauf, dass das Gebäck nicht über die Oberkante des Backblechs hinausragt.
- Wird Gebäck an der Oberseite gut gebräunt, innen jedoch nicht richtig gar, achten Sie darauf, dass sich Flüssigkeiten nicht am Boden des Gebäcks konzentrieren. Versuchen Sie, Flüssigkeitsmischungen gleichmäßig zwischen den Teigschichten zu verteilen; so erreichen Sie eine gleichmäßige Bräunung.



Halten Sie sich beim Backen an die Betriebsart- und Temperaturempfehlungen der Zubereitungstabelle. Falls die Unterseite nicht ausreichend gebräunt wird, nutzen Sie beim nächsten Mal den nächstniedrigeren Einschub.

### Tipps zur Zubereitung von Gemüse

- Falls Gemüsegerichte zu trocken werden, bereiten Sie diese in einem Geschirr mit Deckel statt auf dem Blech zu. Geschlossene Behälter sorgen dafür, dass nicht zu viel Flüssigkeit verloren wird.
- Falls Gemüsegerichte nicht richtig gar werden, kochen Sie das Gemüse zuvor und geben es erst danach in den Ofen.

### Tipps zum Garen mit Umluft:

- Dank der gleichmäßigen Hitzeverteilung können Sie mit Blechen in den Einschüben 1, 2 und 3 gleichzeitig arbeiten, wenn Sie Lebensmittel mit geringem Flüssigkeitsanteil (wie Kekse, Küchlein in Papierformen, Biskuits und dergleichen) zubereiten.
- Rohteig und Hefeteigprodukte wie Apfel- und sonstige Obstkuchen können Sie auf zwei Blechen gleichzeitig backen.
- Wenn Sie Lebensmittel mit hohem Flüssigkeitsgehalt oder Hefeteig auf einem Blech mitbacken, gelingt das Backen noch besser. Ein noch gleichmäßigeres Ergebnis erhalten Sie bei Speisen, die beim Backen aufgehen, da heiße Luft auch von den Seiten an die Speisen gelangt – dies ist eine Eigenschaft, die sich mit konventionellen Öfen gewöhnlich nicht erzielen lässt.

- Zusätzlich können Sie Zeit und Energie sparen, indem Sie mehrere Bleche gleichzeitig nutzen und dennoch beste Ergebnisse erzielen.

### So bedienen Sie den Grill



#### WARNUNG

Backofentür beim Grillen geschlossen halten.

Verbrennungsgefahr durch heiße Flächen!

#### Grill einschalten

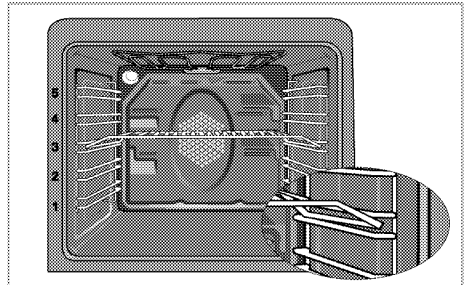
1. Schalten Sie den Ofen ein, indem Sie die Ein-/Austaste (1) etwa 2 Sekunde gedrückt halten.
2. Stellen Sie die Grillfunktion mit  $\wedge$  /  $\vee$  (2) ein.
3. Stellen Sie die gewünschte Temperatur ein, indem Sie die Tasten "+" oder "-" (7) drücken.

#### Grill ausschalten

1. Schalten Sie den Ofen aus, indem Sie die Ein-/Austaste (1) etwa 2 Sekunden gedrückt halten.

#### Einschubpositionen

Die Grilleistung nimmt ab, wenn der Grillrost die Rückwand des Ofens berührt. Schieben Sie den Rost daher nur so weit ein, bis sich die Backofentür problemlos schließen lässt – so funktioniert der Grill am besten.





Lebensmittel, die nicht zum Grillen geeignet sind, können sich im schlimmsten Fall entzünden. Grillen Sie nur Lebensmittel, die bei der starken Hitze beim Grillen keinen Schaden nehmen.

Platzieren Sie das Grillgut nicht nahe der Backofenrückwand. Dort wird es besonders heiß, fettes Grillgut kann in Brand geraten.

## Garzeitentabelle zum Grillen

### Elektrischer Grill

Speise	Einschubebene	Grilldauer (ca.)
Fisch	4..5	20..25 Min. <sup>#</sup>
Hühnerklein	4..5	25...35 Min.
Lammkoteletts	4..5	20..25 Min.
Rinderbraten	4..5	25...30 Min. <sup>#</sup>
Kalbskoteletts	4..5	25...30 Min. <sup>#</sup>
Toastbrot	4	1...2 min.
<sup>#</sup> je nach Dicke		

## 6 Reinigung und Wartung

### Allgemeine Hinweise

Durch regelmäßiges Reinigen verlängern Sie die Lebenserwartung Ihres Gerätes und beugen Fehlfunktionen vor.



#### GEFAHR:

Trennen Sie das Gerät von der Stromversorgung, bevor Sie es reinigen.  
Es besteht Stromschlaggefahr!



#### GEFAHR:

Lassen Sie das Gerät vor dem Reinigen gründlich abkühlen.  
Verbrennungsgefahr durch heiße Flächen!

- Reinigen Sie das Gerät nach jedem Gebrauch gründlich. Dadurch lassen sich Speisereste leichter entfernen und können sich beim nächsten Einsatz des Backofens nicht einbrennen.
- Zur Reinigung benötigen Sie keine Spezialreiniger. Verwenden Sie am besten warmes Wasser mit etwas herkömmlichem Reiniger, ein weiches Tuch oder einen Schwamm. Anschließend mit einem Tuch trocknen.
- Achten Sie stets darauf, überschüssige und verschüttete Flüssigkeiten nach der Reinigung gründlich ab- bzw. aufzuwischen.
- Wenn Sie Edelstahl und Griffe reinigen verzichten Sie auf Reinigungsmittel, die Säuren oder Chlor enthalten. Reinigen Sie diese Teile mit einem weichen Tuch und etwas Flüssigreiniger (kein Scheuermittel); wischen Sie dabei am besten nur in eine Richtung.



Durch bestimmte Reinigungsmittel können die Oberflächen des Gerätes beschädigt werden.

Verwenden Sie keine aggressiven Reinigungsmittel, keine Scheuermittel und keine scharfen oder spitzen Gegenstände bei der Reinigung.



Nutzen Sie keine Dampfreiniger zur Reinigung des Gerätes – es besteht Stromschlaggefahr.

### Bedienfeld reinigen

Reinigen Sie Bedienfeld und Knöpfe mit einem feuchten Tuch; anschließend trocken reiben.

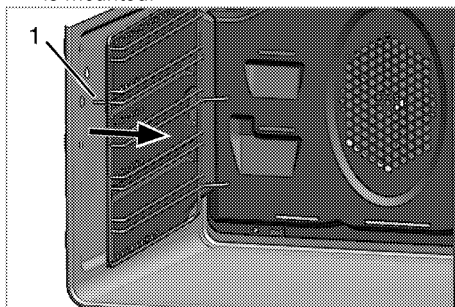


Ziehen Sie die Knöpfe zum Reinigen des Bedienfelds nicht ab.  
Das Bedienfeld kann beschädigt werden!

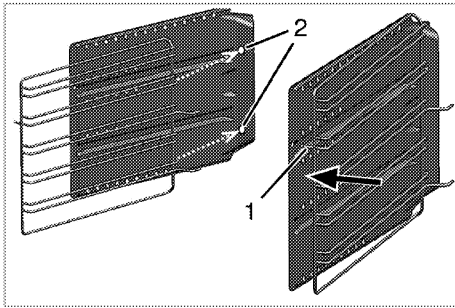
### Backofen reinigen

#### So reinigen Sie die Seitenwand

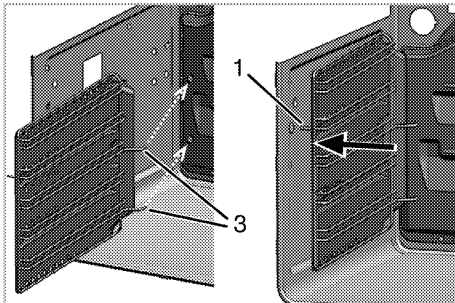
1. Remove pin (1) of the side rack by pulling it in the direction of arrow with the side wall it is mounted.



2. Ziehen Sie Seitenwand und Halterung zu sich hin aus dem Gerät heraus.
3. Ziehen Sie die Halterung aus den Öffnungen (2) in der Seitenwand des Gerätes.
4. Verwenden Sie zum Reinigen der seitlichen Halterung und Seitenwand am besten warmes Wasser mit etwas herkömmlichem Reiniger, ein weiches Tuch oder einen Schwamm. Anschließend mit einem Tuch trocknen.
5. Hängen Sie die Halterung in die Öffnungen (2) der Seitenwand ein.



6. Fixieren Sie die Halterung an der Seitenwand, indem Sie den Stift (1) in Pfeilrichtung einstecken.
7. Setzen Sie die Stifte (3) an der Halterung/Seitenwand-Kombination wie in der Abbildung gezeigt in die Öffnungen an der Rückwand ein.



8. Drücken Sie den Stift (1) der Seitenwand wie abgebildet in die Öffnung.

**i** Überzeugen Sie sich davon, dass Halterung und Seitenwand richtig sitzen.

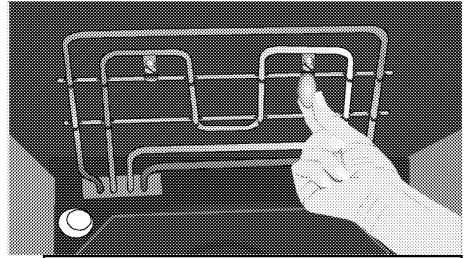
### Katalytische Seitenwände

Seitenwände und Rückwand des Backofens können mit katalytischer Emaille beschichtet sein. Die katalytischen Seitenwände des Backofens müssen nicht gereinigt werden. Die poröse Oberfläche der Seitenwände sorgt für eine Selbstreinigung, indem Fettspritzer aufgesaugt und umgewandelt werden (Wasserdampf und Kohlendioxid).

### Backofenoberseite reinigen

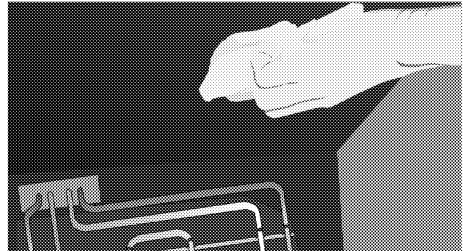
Zum Reinigen der Oberseite des Backofens kann das Grillelement abgeklappt werden.

1. Lösen Sie die Fixierschrauben am Grill-Heizelement mit einem Schraubendreher oder einer Münze.



**i** Das Grillelement klappt nach unten. Es bleibt weiterhin an der Backofendecke verankert.

2. Reinigen Sie die Backofendecke mit einem feuchten Tuch.



3. Klappen Sie das Grill-Heizelement wieder nach oben, ziehen Sie die Fixierschrauben mit einem Schraubendreher oder einer Münze fest.

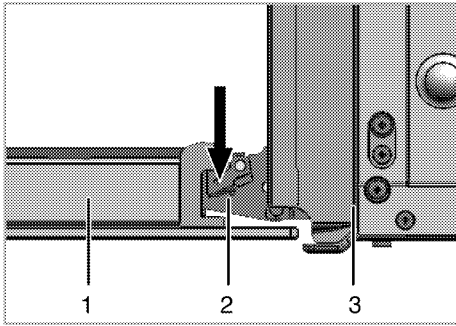
### Backofentür reinigen

Verwenden Sie zum Reinigen der Backofentür am besten warmes Wasser mit etwas herkömmlichem Reiniger, ein weiches Tuch oder einen Schwamm. Anschließend mit einem Tuch trocknen.

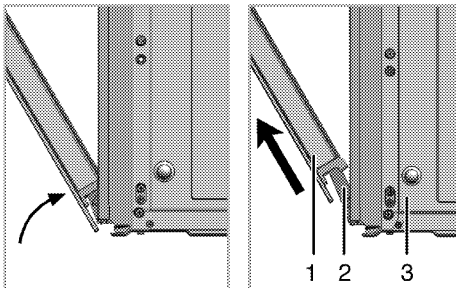
**i** Verzichten Sie bei der Reinigung der Backofentür auf aggressive Reinigungsmittel und auf scharfkantige Schaber aus Metall. Solche Hilfsmittel können die Oberflächen zerkratzen und das Glas beschädigen.

### Backofentür ausbauen

1. Öffnen Sie die Backofentür (1).
2. Öffnen Sie die Clips am Scharniergehäuse links und rechts der Backofentür, indem Sie diese wie in der Abbildung gezeigt nach unten drücken.



- 1 Backofentür
- 2 Scharnier
- 3 Backofen

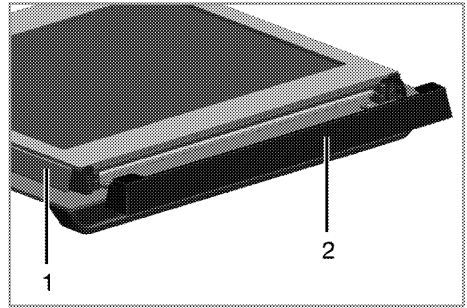


- 3. Öffnen Sie die Backofentür zur Hälfte.
- 4. Nehmen Sie die Ofentür heraus, indem Sie diese etwas anheben und von den Scharnieren rechts und links lösen.

**i** Zum Einbau führen Sie die obigen Schritte wieder in umgekehrter Reihenfolge aus. Vergessen Sie nicht, die Clips am Scharniergehäuse nach dem Wiedereinsetzen der Tür wieder zu schließen.

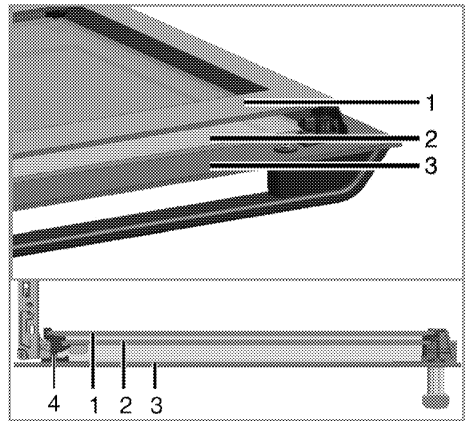
### Türinnenscheibe ausbauen

Die Türinnenscheibe kann zur Reinigung ausgebaut werden.  
Öffnen Sie die Backofentür.



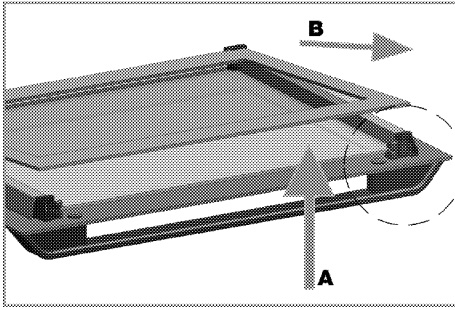
- 1 Rahmen
- 2 Kunststoffteil

Ziehen Sie das im oberen Bereich der Fronttür installierte Kunststoffteile zu sich heraus.



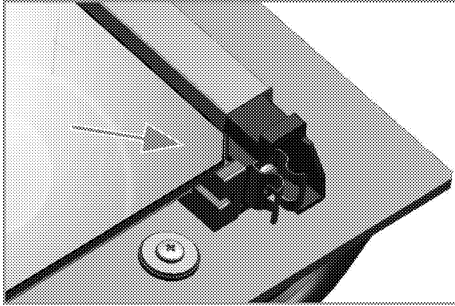
- 1 Innerste Scheibe
- 2 Innenscheibe
- 3 Äußere Glasscheibe
- 4 Scheibenkunststoffschlitz, unten

Heben Sie die innerste Scheibe (1) wie in der Abbildung gezeigt leicht in Richtung **A** an, ziehen Sie sie in Richtung **B** heraus.  
Wiederholen Sie dieses Verfahren zum Entfernen der inneren Scheibe (2).



Der erste Schritt zum Zusammensetzen der Tür besteht darin, die Innenscheibe (2) wieder anzubringen.

Platzieren Sie die abgeschrägte Ecke der Scheibe wie in der Abbildung gezeigt so, dass sie in der abgeschrägten Ecke des Kunststoffschlitzes aufliegt.



Die Innenscheibe (2) muss im Kunststoffschlitz in der Nähe der innersten Scheibe (1) installiert werden.

Achten Sie bei der Anbringung der innersten Scheibe (1) darauf, dass die bedruckte Seite der Scheibe in Richtung der inneren Scheibe zeigt. Es ist wichtig, die untere Kante der inneren Scheibe im unteren Kunststoffschlitz einzusetzen.

Drücken Sie das Kunststoffteil gegen den Rahmen, bis es mit einem Klickgeräusch einrastet.

## Beleuchtung des Backofens auswechseln



### GEFAHR:

Bevor Sie die Beleuchtung des Backofens auswechseln, sorgen Sie dafür, dass das Gerät vollständig von der Stromversorgung getrennt und komplett abgekühlt ist; ansonsten droht Verbrennungs- und Stromschlaggefahr. Verbrennungsgefahr durch heiße Flächen!



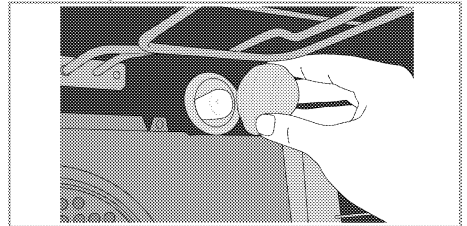
Als Leuchtmittel wird eine spezielle Glühlampe eingesetzt, die für Temperaturen bis 300 °C ausgelegt ist. Weitere Hinweise finden Sie in "Technische Daten, Seite 10". Passende Leuchtmittel erhalten Sie beim autorisierten Kundendienst.



Die Position der Beleuchtung kann etwas von der Abbildung abweichen.

### Wenn Ihr Ofen mit einer runden Leuchte ausgestattet ist:

1. Trennen Sie das Gerät vollständig von der Stromversorgung.
2. Schrauben Sie die Glasabdeckung gegen den Uhrzeigersinn ab.



3. Ziehen Sie die Lampe des Backofens aus dem Sockel, setzen Sie eine neue Leuchte ein.
4. Glasabdeckung wieder anbringen.

## 7 Problemlösungen

### **Aus dem Backofen tritt im Betrieb Dampf aus.**

- Während des Betriebs ist ein Dampfaustritt normal. >>> *Dies ist kein Fehler.*

### **Beim Aufheizen und Abkühlen sind metallische Geräusche zu hören.**

- Wenn sich die Temperatur von Metallteilen ändert, dehnen sich diese aus oder ziehen sich zusammen – dabei entstehen Geräusche. >>> *Dies ist kein Fehler.*

### **Das Gerät funktioniert nicht.**

- Die Sicherung ist durchgebrannt oder ausgelöst. >>> *Kontrollieren Sie die Sicherungen im Sicherungskasten. Bei Bedarf austauschen oder zurücksetzen.*
- Das Gerät ist nicht richtig an die (geerdete) Steckdose angeschlossen. >>> *Überprüfen Sie die Steckerverbindung.*
- Die Tasten/Knöpfe am Bedienfeld funktionieren nicht. >>> *Die Tastensperre ist eventuell aktiv. Bitte abschalten. (Siehe Tastensperre Kindersicherung, Seite 23)*

### **Die Ofenbeleuchtung funktioniert nicht.**

- Das Leuchtmittel ist defekt. >>> *Tauschen Sie das Leuchtmittel aus.*
- Die Stromversorgung wurde unterbrochen. >>> *Überprüfen Sie die Stromversorgung. Kontrollieren Sie die Sicherungen im Sicherungskasten. Sicherungen bei Bedarf austauschen oder zurücksetzen.*

### **Backofen heizt nicht.**

- Falsche Funktion ausgewählt und/oder Temperatur nicht richtig eingestellt. >>> *Stellen Sie Funktion und Temperatur entsprechend ein.*
- Die Stromversorgung wurde unterbrochen. >>> *Überprüfen Sie die Stromversorgung. Kontrollieren Sie die Sicherungen im Sicherungskasten. Sicherungen bei Bedarf austauschen oder zurücksetzen.*



Falls sich ein Problem nicht mit den obigen Hinweisen lösen lassen sollte, wenden Sie sich bitte an den autorisierten Kundendienst oder an den Händler, bei dem Sie das Gerät gekauft haben. Versuchen Sie niemals, ein defektes Gerät selbst zu reparieren.

**285.4418.76/R.AA/17.04.2013/6-1**



## Free Manuals Download Website

<http://myh66.com>

<http://usermanuals.us>

<http://www.somanuals.com>

<http://www.4manuals.cc>

<http://www.manual-lib.com>

<http://www.404manual.com>

<http://www.luxmanual.com>

<http://aubethermostatmanual.com>

Golf course search by state

<http://golfingnear.com>

Email search by domain

<http://emailbydomain.com>

Auto manuals search

<http://auto.somanuals.com>

TV manuals search

<http://tv.somanuals.com>