

Refrigerator
Kühlschrank
Réfrigérateur
Køleskab
Ψυγείο
Холодильник
Hladnjak
يخچال

Šaldytuvas
Frigorífico
Koelkast
Ledusskapis
Frigorifero
Jääkaappi
Kylskåp
Kjøleskap

KQD 1250

KQD 1250 X

KQD 1250 XA+

KQD 1251 XA++

Bedienungsanleitung
Operating instructions

Blomberg

Download from www.Somanuals.com. All Manuals Search And Download.

Please read this manual first!

Dear Customer,

We hope that your product, which has been produced in 1st class manufacturing facilities and checked under the most meticulous quality control procedures, will provide

you with years of good service.

For this, we recommend you to carefully read the entire manual of your product before using it and keep it at hand for future references.

This manual

- Will help you use your appliance in a fast and safe way.
- Read the manual before installing and operating your product.
- Follow the instructions, especially those for safety.
- Keep the manual in an easily accessible place as you may need it later.
- Besides, read also the other documents provided with your product.

Please note that this manual may be valid for other models as well.

Symbols and their descriptions

This instruction manual contains the following symbols:

- ❗ Important information or useful usage tips.
- ⚠ Warning against dangerous conditions for life and property.
- ⚡ Warning against electric voltage.



This product is supplied with the selective sorting symbol for waste electrical and electronic equipment (WEEE).

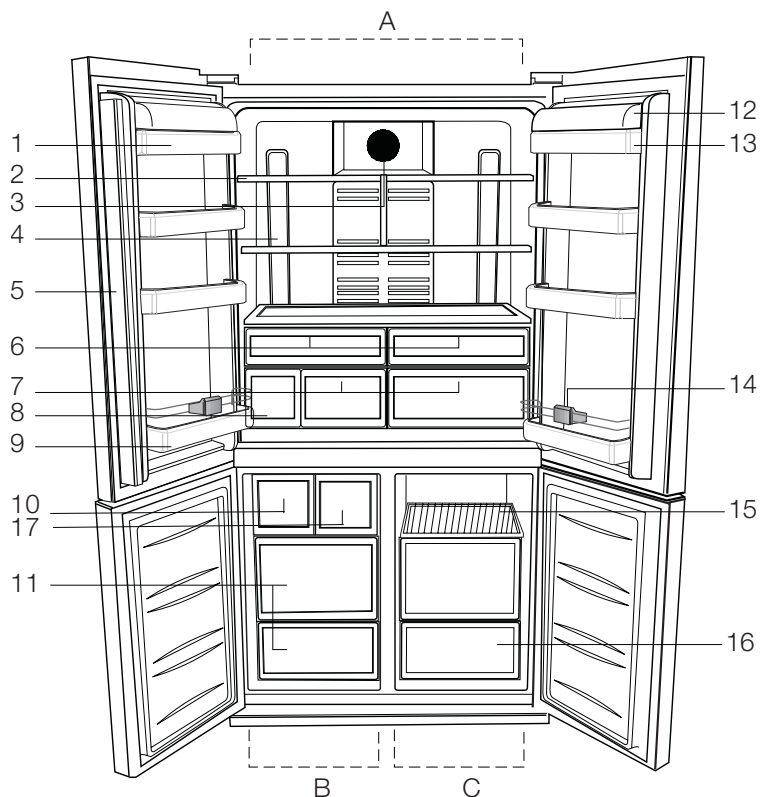
This means that this product must be handled pursuant to European Directive 2002/96/EC in order to be recycled or dismantled to minimise its impact on the environment. For further information, please contact your local or regional authorities.

Electronic products not included in the selective sorting process are potentially dangerous for the environment and human health due to the presence of hazardous substances.

CONTENTS

1 Your refrigerator	3	4 Using your refrigerator	12
		Butter & Cheese section	16
		Sliding Body Shelves	17
		Egg tray.....	17
		Crisper	17
		Chiller compartment	17
		Rotating Middle Section	18
		Flexi Zone Storage Compartment ..	18
		Blue light	18
2 Important Safety Warnings	4	5 Maintenance and cleaning	19
Intended use	4	Protection of plastic surfaces	19
For products with a water dispenser; .	6		
Child safety.....	6	6 Recommended solutions for the problems	20
HCA Warning	6		
Things to be done for energy saving ..	7		
Reccomendations for freshfood compartment.....	7		
3 Installation	8		
Preparation.....	8		
Points to be considered when re-transporting your refrigerator	8		
Before operating your refrigerator	9		
Electric connection	9		
Disposing of the packaging	9		
Disposing of your old refrigerator	9		
Placing and Installation	10		
Floor balance adjustment	10		
Adjusting the gap between the upper door	11		

1 Your refrigerator



- | | | | |
|----|---|-----|----------------------------------|
| A- | Fridge compartment | 9- | Bottle shelf |
| B- | Freezer compartment | 10- | Icematic |
| C- | Flexi Zone | 11- | Frozen food storage compartments |
| 1- | Fridge compartment door shelves | 12- | Butter & Cheese shelf cover |
| 2- | Fridge compartment adjustable cabinet shelves | 13- | Butter & Cheese shelf |
| 3- | Diffuser cover | 14- | Bottle holder |
| 4- | Illumination lens | 15- | Storage compartments |
| 5- | Rotating middle section | 16- | Flexi Zone compartment |
| 6- | Chiller compartment | 17- | Fresh freezer drawer |
| 7- | Crisper | | |
| 8- | Water tank | | |

Figures that take place in this instruction manual are schematic and may not correspond exactly with your product. If the subject parts are not included in the product you have purchased, then it is valid for other models.

2 Important Safety Warnings

Please review the following information. Failure to observe this information may cause injuries or material damage. Otherwise, all warranty and reliability commitments will become invalid.

The usage life of the unit you purchased is 10 years. This is the period for keeping the spare parts required for the unit to operate as described.

Intended use

This product is intended to be used

- indoors and in closed areas such as homes;
- in closed working environments such as stores and offices;
- in closed accommodation areas such as farm houses, hotels, pensions.
- This product should not be used outdoors.

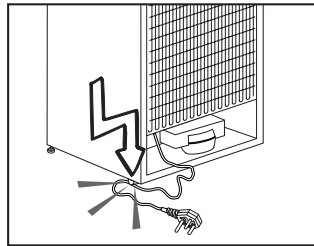
General safety

- When you want to dispose/scrap the product, we recommend you to consult the authorized service in order to learn the required information and authorized bodies.
- Consult your authorized service for all your questions and problems related to the refrigerator. Do not intervene or let someone intervene to the refrigerator without notifying the authorised services.
- For products with a freezer compartment; Do not eat cone ice cream and ice cubes immediately after you take them out of the freezer compartment! (This may cause frostbite in your mouth.)
- For products with a freezer compartment; Do not put bottled and canned liquid beverages in the freezer compartment. Otherwise, these may burst.
- Do not touch frozen food by hand; they may stick to your hand.
- Unplug your refrigerator before cleaning or defrosting.
- Vapor and vaporized cleaning materials should never be used in cleaning and defrosting processes of your refrigerator. In such cases, the vapor may get in contact with the electrical parts and cause short circuit or electric shock.
- Never use the parts on your refrigerator such as the door as a means of support or step.
- Do not use electrical devices inside the refrigerator.
- Do not damage the parts, where the refrigerant is circulating, with drilling or cutting tools. The refrigerant that might blow out when the gas channels of the evaporator, pipe extensions or surface coatings are punctured causes skin irritations and eye injuries.
- Do not cover or block the ventilation holes on your refrigerator with any material.
- Electrical devices must be repaired by only authorised persons. Repairs performed by incompetent persons create a risk for the user.
- In case of any failure or during a maintenance or repair work, disconnect your refrigerator's mains supply by either turning off the relevant fuse or unplugging your appliance.

- Do not pull by the cable when pulling off the plug.
- Place the beverage with higher proofs tightly closed and vertically.
- Never store spray cans containing flammable and explosive substances in the refrigerator.
- Do not use mechanical devices or other means to accelerate the defrosting process, other than those recommended by the manufacturer.
- This product is not intended to be used by persons with physical, sensory or mental disorders or unlearned or inexperienced people (including children) unless they are attended by a person who will be responsible for their safety or who will instruct them accordingly for use of the product

- Do not operate a damaged refrigerator. Consult with the service agent if you have any concerns.
- Electrical safety of your refrigerator shall be guaranteed only if the earth system in your house complies with standards.
- Exposing the product to rain, snow, sun and wind is dangerous with respect to electrical safety.
- Contact authorized service when there is a power cable damage to avoid danger.
- Never plug the refrigerator into the wall outlet during installation. Otherwise, risk of death or serious injury may arise.
- This refrigerator is intended for only storing food items. It must not be used for any other purpose.
- Label of technical specifications is located on the left wall inside the refrigerator.

- Never connect your refrigerator to electricity-saving systems; they may damage the refrigerator.
- If there is a blue light on the refrigerator, do not look at the blue light with optical tools.
- For manually controlled refrigerators, wait for at least 5 minutes to start the refrigerator after power failure.
- This operation manual should be handed in to the new owner of the product when it is given to others.
- Avoid causing damage on power cable when transporting the refrigerator. Bending cable may cause fire. Never place heavy objects on power cable. Do not touch the plug with wet hands when plugging the product.



- Do not plug the refrigerator if the wall outlet is loose.
- Water should not be sprayed directly on inner or outer parts of the product for safety purposes.
- Do not spray substances containing inflammable gases such as propane gas near the refrigerator to avoid fire and explosion risk.
- Never place containers filled with water on top of the refrigerator, otherwise this may cause electric shock or fire.
- Do not overload your refrigerator with excessive amounts of food. If

overloaded, the food items may fall down and hurt you and damage refrigerator when you open the door. Never place objects on top of the refrigerator; otherwise, these objects may fall down when you open or close the refrigerator's door.

- As they require a precise temperature, vaccines, heat-sensitive medicine and scientific materials and etc. should not be kept in the refrigerator.
- If not to be used for a long time, refrigerator should be unplugged. A possible problem in power cable may cause fire.
- The plug's tip should be regularly cleaned; otherwise, it may cause fire.
- The plug's tip should be cleaned regularly with a dry cloth; otherwise, it may cause fire.
- Refrigerator may move if adjustable legs are not properly secured on the floor. Properly securing adjustable legs on the floor can prevent the refrigerator to move.
- When carrying the refrigerator, do not hold it from door handle. Otherwise, it may be snapped.
- When you have to place your product next to another refrigerator or freezer, the distance between devices should be at least 8cm. Otherwise, adjacent side walls may be humidified.

For products with a water dispenser;

Pressure of water mains should be minimum 1 bar. Pressure of water mains should be maximum 8 bars.

- Use only potable water.

Child safety

- If the door has a lock, the key should be kept away from reach of children.
- Children must be supervised to prevent them from tampering with the product.

HCA Warning

If your product's cooling system contains R600a:

This gas is flammable. Therefore, pay attention to not damaging the cooling system and piping during usage and transportation. In the event of damage, keep your product away from potential fire sources that can cause the product catch a fire and ventilate the room in which the unit is placed.

Ignore this warning if your product's cooling system contains R134a.

Type of gas used in the product is stated in the type plate which is on the left wall inside the refrigerator.

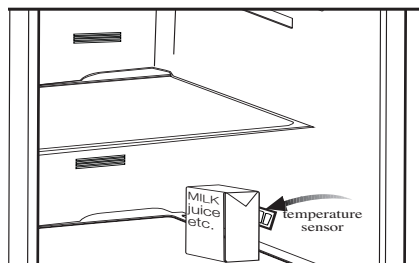
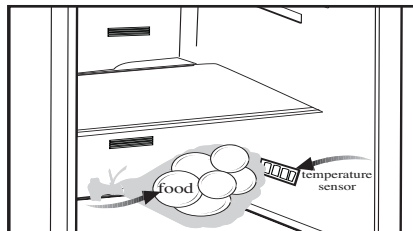
Never throw the product in fire for disposal.

Things to be done for energy saving

- Do not leave the doors of your refrigerator open for a long time.
- Do not put hot food or drinks in your refrigerator.
- Do not overload your refrigerator so that the air circulation inside of it is not prevented.
- Do not install your refrigerator under direct sunlight or near heat emitting appliances such as ovens, dishwashers or radiators.
- Pay attention to keep your food in closed containers.
- For products with a freezer compartment; You can store maximum amount of food items in the freezer when you remove the shelf or drawer of the freezer. Energy consumption value stated for your refrigerator has been determined by removing freezer shelf or drawer and under maximum load. There is no harm to use a shelf or drawer according to the shapes and size of food to be frozen.
- Thawing frozen food in fridge compartment will both provide energy saving and preserve the food quality.

Reccomendations for freshfood compartment * OPTIONAL

- Please do not let any foodstuff to come to contact with the temperature sensor in freshfood compartment. In order to maintain freshfood compartment at ideal storage temperature, the sensor must not be blocked by fodstuffs.
- Do not place hot foodstuff in your appliance.



3 Installation

⚠ Please remember that the manufacturer shall not be held liable if the information given in the instruction manual is not observed.

Preparation

- Your refrigerator should be installed at least 30 cm away from heat sources such as hobs, ovens, central heater and stoves and at least 5 cm away from electrical ovens and should not be located under direct sunlight.
- The ambient temperature of the room where you install your refrigerator should at least be 10°C. Operating your refrigerator under cooler conditions than this is not recommended with regard to its efficiency.
- Please make sure that the interior of your refrigerator is cleaned thoroughly.
- If two refrigerators are to be installed side by side, there should be at least 2 cm distance between them.
- When you operate your refrigerator for the first time, please observe the following instructions during the initial six hours.
 - The door should not be opened frequently.
 - It must be operated empty without any food in it.
 - Do not unplug your refrigerator. If a power failure occurs out of your control, please see the warnings in the "Recommended solutions for the problems" section.

- Original packaging and foam materials should be kept for future transportations or moving.

Points to be considered when re-transporting your refrigerator

1. Your refrigerator must be emptied and cleaned prior to any transportation.
2. Shelves, accessories, crisper and etc. in your refrigerator must be fastened securely by adhesive tape against any jolt before repackaging.
3. Packaging must be tied with thick tapes and strong ropes and the rules of transportation printed on the package must be followed.

Please do not forget...

Every recycled material is an indispensable source for the nature and for our national resources.

If you wish to contribute to recycling the packaging materials, you can get further information from the environmental bodies or local authorities.

The climate class rate of your appliance is given on the rating label located inside the appliance. It specifies the appropriate operating ambient temperatures as explained below.

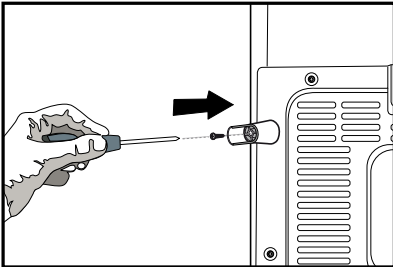
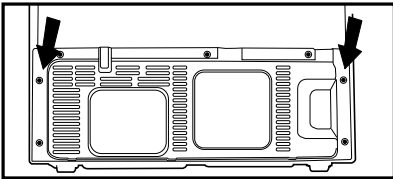
Climatic class Ambient temperatures

SN	+10 °C to 32 °C
N	+16 °C to 32 °C
ST	+18 °C to 38 °C
T	+18 °C to 43 °C
SN-ST	+10 °C to 38 °C
SN-T	+10 °C to 43 °C

Before operating your refrigerator

Before starting to use your refrigerator check the following:

1. Is the interior of the refrigerator dry and can the air circulate freely in the rear of it?
2. Insert the 2 plastic wedges onto the rear ventilation as illustrated in the following figure. Unscrew the existing ones and use the screws given in the same bag of wedges. Plastic wedges will provide the required distance between your refrigerator and the wall in order to allow the air circulation.



3. Clean the interior of the refrigerator as recommended in the “Maintenance and cleaning” section.
4. Plug the refrigerator into the wall outlet. When the door is open the respective interior light will come on.
5. You will hear a noise as the compressor starts up. The liquid and gases sealed within the refrigeration system may also give rise to noise, even if the compressor is not running and this is quite normal.
6. Front edges of the refrigerator may feel warm. This is normal. These areas are designed to be warm to avoid condensation.

Electric connection

Connect your refrigerator to a grounded socket which is being protected by a fuse with the appropriate capacity.

Important:

- The connection must be in compliance with national regulations.
 - The power cable plug must be easily accessible after installation.
 - Voltage and allowable fuse protection are specified in the “Technical Specifications” section.
 - The specified voltage must be equal to your mains voltage.
 - Extension cables and multiway plugs must not be used for connection.
- ⚠ A damaged power cable must be replaced by a qualified electrician.
- ⚠ The appliance must not be operated before it is repaired! There is danger of electric shock!

Disposing of the packaging

The packing materials may be dangerous for children. Keep the packing materials out of the reach of children or dispose them of by classifying them in accordance with the waste instructions. Do not dispose them of along with the normal household waste.

The packing of your refrigerator is produced from recyclable materials.

Disposing of your old refrigerator

Dispose of your old machine without giving any harm to the environment.

- You may consult your authorized dealer or waste collection center of your municipality about the disposal of your refrigerator.

Before disposing of your refrigerator, cut out the electric plug and, if there are any locks on the door, make them inoperable in order to protect children against any danger.

Placing and Installation

Caution: Never plug the refrigerator into the wall outlet during installation. Otherwise, risk of death or serious injury may arise.

If the entrance door of the room where the refrigerator will be installed is not wide enough for the refrigerator to pass through, than call the authorized service to have them remove the doors of your refrigerator and pass it sideways through the door.

1. Install your refrigerator to a place that allows ease of use.
2. Keep your refrigerator away from heat sources, humid places and direct sunlight.
3. There must be appropriate air ventilation around your refrigerator in order to achieve an efficient operation. If the refrigerator is to be placed in a recess in the wall, there must be at least 5 cm distance with the ceiling and at least 5 cm with the wall.

If the floor is covered with a carpet, your product must be elevated 2.5 cm from the floor.

4. Place your refrigerator on an even floor surface to prevent jolts.
5. Do not keep your refrigerator in ambient temperatures under 10°C.

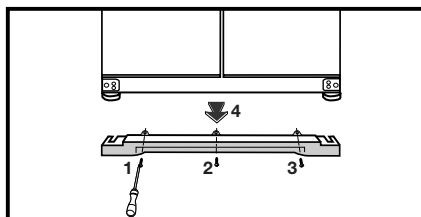
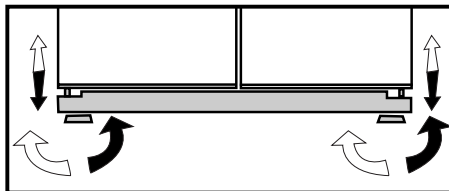
Floor balance adjustment

If your refrigerator is unbalanced;

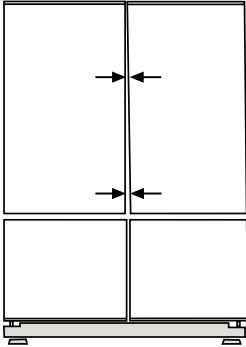
1- Ventilation cover is removed by unscrewing its screws as illustrated in the figure before the procedure. You can balance your refrigerator by turning the front legs of it as illustrated in the figure. The corner where the leg exists is lowered when you turn in the direction of black arrow and raised when you turn in the opposite direction. Taking help from someone to slightly lift the refrigerator will facilitate this process.

2. After the balance issue is remedied, install back the ventilation cover and fasten the screws.

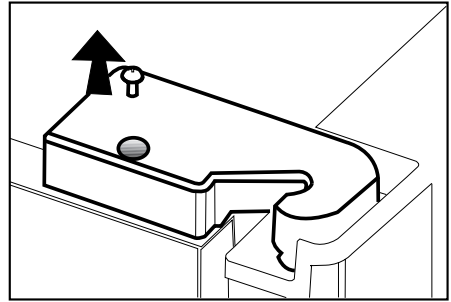
3. Remove the screws fastening the lower ventilation cover using a Phillips screwdriver.



Adjusting the gap between the upper door

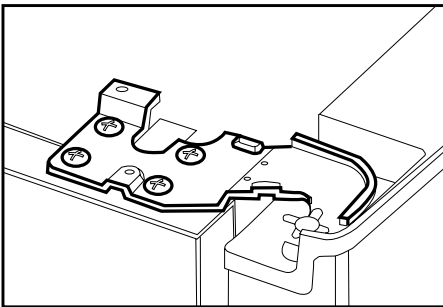


- You can adjust the gap between the fridge compartment doors as illustrated in the figures.

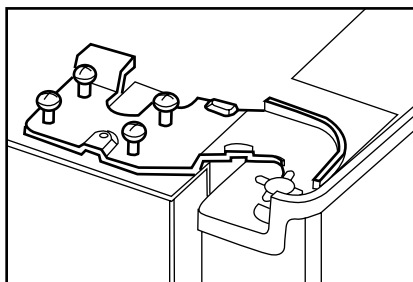
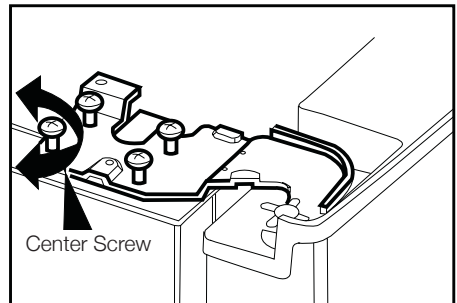


Door shelves should be empty when adjusting the door height.

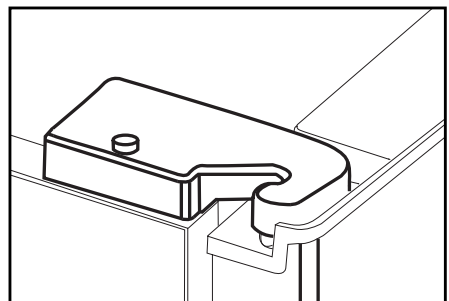
- Using a screwdriver, remove the screw of upper hinge cover of the door you want to adjust.



- Adjust the door as you desire by loosening the screws.



- Fix the door you have adjusted by tightening the screws without changing the position of the door.

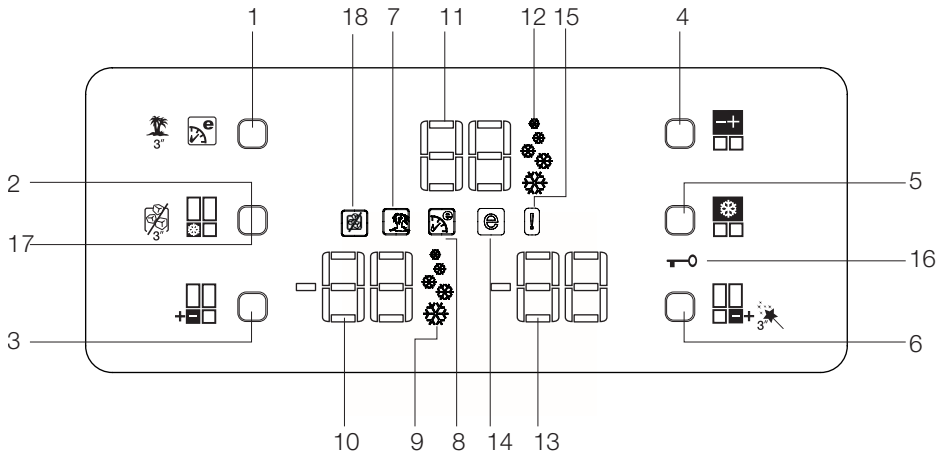


- Replace the hinge cover and fix with the screw.

4 Using your refrigerator

Indicator Panel

This touch-control indicator panel allows you to set the temperature without opening the door of your refrigerator. Just touch the relevant button with your finger to set the temperature.



1. Eco Extra/Vacation Button
2. Fast Freeze / Ice Off Button
3. Freezer Compartment Temperature Setting Button
4. Fridge Compartment Temperature Setting Button
5. Quick Cool Button
6. Flexi Zone Storage Compartment Temperature Setting Button
7. Vacation Function Indicator
8. Eco Extra Function Indicator
9. Quick Freeze Function Indicator
10. Freezer Compartment Temperature Indicator
11. Fridge Compartment Temperature Indicator
12. Quick Cool Function Indicator
13. Flexi Zone Storage Compartment Temperature Indicator
14. Economy Mode Indicator
15. Error Status Indicator
16. Key Lock Indicator
17. Ice off Function Button
18. Ice off Function Indicator

Figures that take place in this instruction manual are schematic and may not correspond exactly with your product. If the subject parts are not included in the product you have purchased, then it is valid for other models.

1. Eco Extra/Vacation Button

Press this button briefly to activate the Eco Extra function. Press and hold this button for 3 sec. to activate the Vacation function. Press this button again to deactivate the selected function.

2. Fast Freeze Button

Press this button briefly to activate the Fast Freeze function. Press this button again to deactivate the selected function.

3. Freezer Compartment Temperature Setting Button

Press this button to set the temperature of the freezer compartment to -18, -20, -22, -24, -18... respectively. Press this button to set the desired temperature for the Freezer Compartment.

4. Fridge Compartment Temperature Setting Button

Press this button to set the temperature of the fridge compartment to 8, 6, 4, 2, 8... respectively. Press this button to set the desired temperature for the Fridge Compartment.

5. Quick Cool Button

Press this button briefly to activate the Quick Cool function. Press this button again to deactivate the selected function.

6. Flexi Zone Storage Compartment Temperature Setting Button

You can set the Flexi Zone Storage Compartment either as a Freezer or a Cooler. Press and hold this button for 3 sec. to set the Flexi Zone Storage Compartment either as a Freezer or a Cooler. This compartment is set as a Freezer Compartment at factory.

If the Flexi Zone Storage Compartment is set as a Freezer, then the temperature of the Flexi Zone Storage Compartment will change as -18, -20, -22, -24, -18... respectively each time you press this button. If the Flexi Zone Storage Compartment is set as a Cooler, then the temperature of the Flexi Zone Storage Compartment will change as -6, 0, 2, 4, 6, 8, 10... respectively each time you press this button.

7. Vacation Function Indicator

Indicates that the vacation function is active. If this function is active, “- -“ appears on the indicator of the fridge compartment and no cooling is performed in the fridge compartment. Other compartments will be cooled in accordance with the temperature set for them.

Press the relevant button again to deactivate this function.

8. Eco Extra Function Indicator

Indicates that the Eco Extra function is active. If this function is active, your refrigerator will automatically detect the least usage periods and energy-efficient cooling will be performed during those times. Economy indicator will be active while energy-efficient cooling is performed.

Press the relevant button again to deactivate this function.

9. Quick Freeze Function Indicator

Indicates that the Quick Freezer function is active. Use this function when you place fresh food into the freezer compartment or when you need ice. When this function is active, your refrigerator will run for 6 hours without stopping.

Press the relevant button again to deactivate this function.

10. Freezer Compartment Temperature Indicator

Indicates the temperature set for Freezer Compartment.

11. Fridge Compartment Temperature Indicator

Indicates the temperature set for Fridge Compartment.

12. Quick Cool Function Indicator

Indicates that the Quick Cool function is active. Use this function when you place fresh food into the fridge compartment or when you need to cool your food quickly. When this function is active, your refrigerator will run for 2 hours without stopping.

Press the relevant button again to deactivate this function.

13. Flexi Zone Storage Compartment Temperature Indicator

Indicates the temperature set for Flexi Zone storage compartment.

14. Economy Mode Indicator

Indicates that the refrigerator is running in energy-efficient mode. Freezer Compartment temperature This indicator will be active if the function is set to -18 or the energy efficient cooling is being performed due to Eco-Extra function.

15. Error Status Indicator

If your refrigerator does not cool adequately or if there is a sensor failure, this indicator will be activated. When this indicator is active, Freezer Compartment Temperature indicator will display "E" and Fridge Compartment Temperature Indicator will display numbers such as "1,2,3...". These numbers on the indicator provides information about the error to the service personnel.

16. Key Lock Indicator

Use this function if you do not want your refrigerator temperature setting changed. Press Quick Cool Button and Flexi Zone Storage Compartment Temperature Setting Button simultaneously for 3 sec. to activate this feature.

Press the relevant buttons again to deactivate this function.

17. Ice –off function button

To stop ice formation, ice-off function indicator is pressed for 3 seconds. When ice cancel is selected, no water will be sent to the ice box. Despite this, some ice may be leftover in the ice box which may be taken from there. To restart ice formation, ice-off function indicator has to be pressed for 3 seconds.

18. Ice –off function Indicator

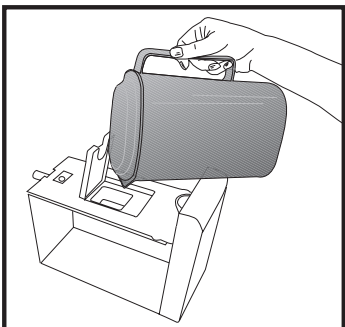
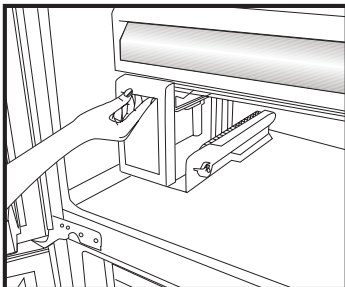
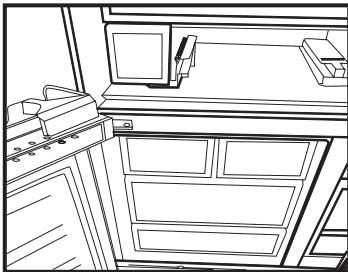
If you do not want to get ice from the refrigerator, you need to use this function. You may use this function by pressing the ice-off function indicator for 3 seconds.

Door Open Alarm:

If the either of the fridge compartment door or **Flexi Zone** Storage Compartment door remains open for minimum 1 minutes, audio Door Open Alarm will be activated. Just press any button on the indicator or close the open door to silence the alarm.

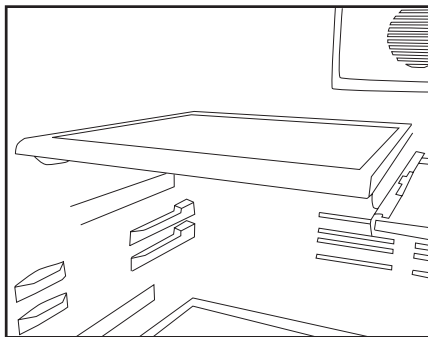
Auto Icematic

Auto Icematic system allows you to obtain ice from your refrigerator easily. Remove the water tank in the fridge compartment, fill it with water and install it back to obtain ice from the icematic. First ice will be ready in 2 hours in the ice drawer located in the freezer compartment. You can obtain 70 ice cubes if the water tank is completely full. Change the water in the water tank if it remains in the water tank for more than 2-3 weeks.



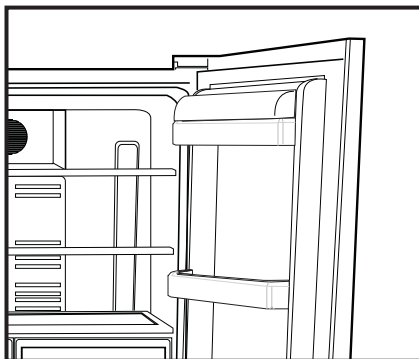
Sliding Body Shelves With Rear Hangers

Sliding body shelves with rear hangers can be moved back and forth. Their height can also be adjusted by removing and installing them to a lower or upper position. Raise the shelf up slightly and pull towards yourself to remove it.



Butter & Cheese section

Food such as butter, cheese and margarine are stored in this compartment that has a cover.



Egg tray

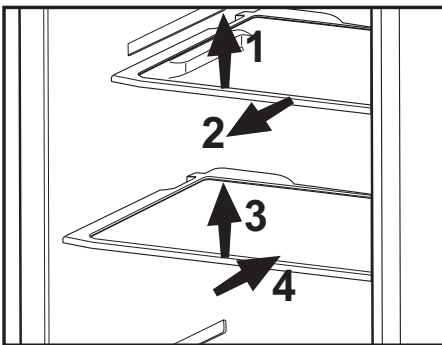
- You can install the egg holder to the desired door or body shelf.
- Never store the egg holder in the freezer compartment.

Sliding Body Shelves

- Sliding body shelves can be pulled by slightly lifting up from the front and moved back and forth. They come to a stop point when pulled towards front to allow you reach the foods placed at the back of the shelf; when it is pulled after slightly lifted upwards at the second stop point, the body shelf will be released.

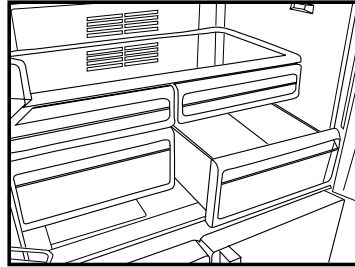
The shelf should be hold tightly from the bottom as well in order to prevent it from tipping over. The body shelf is placed on the rails at the sides of the refrigerator body by bringing it to one lower or one upper level.

The body shelf should be pushed backwards to seat it completely.



Crisper

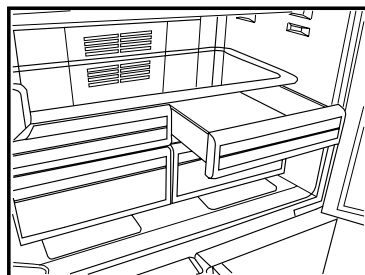
Crisper of your refrigerator is designed specially to keep your vegetables freshly without losing their humidity. For this purpose, cool air circulation occurs around the crisper in general.



Chiller compartment

Chiller compartments enable the foods to be frozen become ready for freezing. You can also use these compartments to store your food at a temperature a few degrees below the fridge compartment.

You can increase the inner volume of your refrigerator by removing any of the snack compartments. To do this, pull the compartment towards yourself; the compartment will lean against the stopper and stop. This compartment will be released when you lift it about 1 cm and pull it towards yourself.

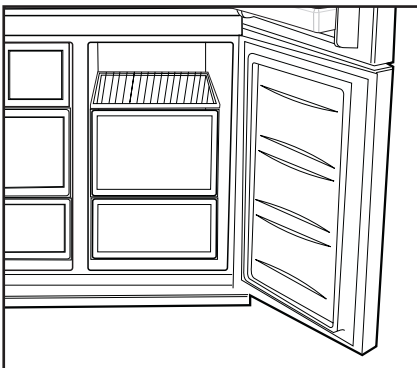


Rotating Middle Section

Rotating middle section is intended to prevent the cold air inside your refrigerator from escaping outside. Rotating middle section aids in sealing since the gaskets on the door presses on the surface of the Rotating middle section when the doors of the fridge compartment are closed. Another reason that your refrigerator is equipped with a rotating middle section is that it increases the net volume of the fridge compartment. Standard middle sections occupy some non-usable volume in the refrigerator.

Flexi Zone Storage Compartment

The Flexi Zone Storage Compartment of your refrigerator may be used in any desired mode by adjusting it to fridge (2/4/6/8 °C) or freezer (-18/-20/-22/-24) temperatures. You can keep the compartment in the desired temperature with the Flexi Zone

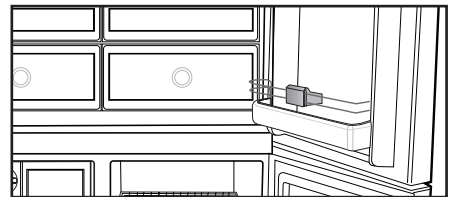


Storage Compartment Temperature Setting Button. The temperature of the Flexi Zone Storage Compartment may be set to 0 and 10 degrees in addition to the fridge compartment temperatures and to -6 degrees in addition to the freezer compartment temperatures. 0 degree is used to store the deli products longer, and -6 degrees is used to keep the meats up to 2 weeks in an easily cuttable condition.

i The feature of switching to a Fridge or Freezer compartment is provided by a cooling element located in the closed section (Compressor Compartment) behind the refrigerator. During operation of this element, sounds similar to the sound of seconds heard from an analog clock may be heard. This is normal and is not fault cause.

Blue light

Foodstuff stored in the crispers that are enlightened with a blue light continue their photosynthesis by means of the wavelength effect of blue light and thus, preserve their freshness and increase their vitamin content.



5 Maintenance and cleaning

- ⚠ Never use gasoline, benzene or similar substances for cleaning purposes.
- ⚠ We recommend that you unplug the appliance before cleaning.
- ⓘ Never use any sharp abrasive instrument, soap, household cleaner, detergent and wax polish for cleaning.
- ⓘ Use lukewarm water to clean the cabinet of your refrigerator and wipe it dry.
- ⓘ Use a damp cloth wrung out in a solution of one teaspoon of bicarbonate of soda to one pint of water to clean the interior and wipe it dry.
- ⚠ Make sure that no water enters the lamp housing and other electrical items.
- ⚠ If your refrigerator is not going to be used for a long period of time, unplug the power cable, remove all food, clean it and leave the door ajar.
- ⓘ Check door seals regularly to ensure they are clean and free from food particles.
- ⓘ To remove door racks, remove all the contents and then simply push the door rack upwards from the base.

Protection of plastic surfaces

- ⓘ Do not put the liquid oils or oil-cooked meals in your refrigerator in unsealed containers as they damage the plastic surfaces of your refrigerator. In case of spilling or smearing oil on the plastic surfaces, clean and rinse the relevant part of the surface at once with warm water.

6 Recommended solutions for the problems

Please review this list before calling the service. It might save you time and money. This list includes frequent complaints that are not arising from defective workmanship or material usage. Some of the features described here may not exist in your product.

The refrigerator does not operate

- Is the refrigerator properly plugged in? Insert the plug to the wall socket.
- Is the fuse of the socket which your refrigerator is connected to or the main fuse blown out? Check the fuse.

Condensation on the side wall of the fridge compartment. (MULTI ZONE, COOL CONTROL ve FLEXI ZONE)

- Very cold ambient conditions. Frequent opening and closing of the door. Highly humid ambient conditions. Storage of food containing liquid in open containers. Leaving the door ajar.
- Switching the thermostat to a colder degree.
- Decreasing the time the door left open or using it less frequently.
- Covering the food stored in open containers with a suitable material.
- Wipe the condensation using a dry cloth and check if it persists.

Compressor is not running

- Protective thermic of the compressor will blow out during sudden power failures or plug-out plug-ins as the refrigerant pressure in the cooling system of the refrigerator has not been balanced yet.
- Your refrigerator will start running approximately after 6 minutes. Please call the service if your refrigerator does not startup at the end of this period.
- The fridge is in defrost cycle. This is normal for a full-automatically defrosting refrigerator. Defrosting cycle occurs periodically.
- Your refrigerator is not plugged into the socket. Make sure that the plug is inserted tightly to the wall socket.
- Are the temperature adjustments correctly made? There is a power failure. Call your electricity supplier.

The fridge is running frequently or for a long time.

- Your new refrigerator may be wider than the previous one. This is quite normal. Large refrigerators operate for a longer period of time.
- The ambient room temperature may be high. This is quite normal.
- The refrigerator might have been plugged in recently or might have been loaded with food. Cooling down of the refrigerator completely may last for a couple of hours longer.
- Large amounts of hot food might have been put in the refrigerator recently. Hot food causes longer running of the refrigerator until they reach the safe storage temperature.
- Doors might have been opened frequently or left ajar for a long time. The warm air that has entered into the refrigerator causes the refrigerator to run for longer periods. Open the doors less frequently.
- Freezer or fridge compartment door might have been left ajar. Check if the doors are tightly closed.
- The refrigerator is adjusted to a very low temperature. Adjust the refrigerator temperature to a warmer degree and wait until the temperature is achieved.
- Door seal of the fridge or freezer may be soiled, worn out, broken or not properly seated. Clean or replace the seal. Damaged/broken seal causes the refrigerator to run for a longer period of time in order to maintain the current temperature.

Freezer temperature is very low while the fridge temperature is sufficient.

- The freezer temperature is adjusted to a very low temperature. Adjust the freezer temperature to a warmer degree and check.

Fridge temperature is very low while the freezer temperature is sufficient.

- The fridge temperature is adjusted to a very low temperature. Adjust the fridge temperature to a warmer degree and check.

Food kept in the fridge compartment drawers are freezing.

- The fridge temperature is adjusted to a very low temperature. Adjust the fridge temperature to a warmer degree and check.

Temperature in the fridge or freezer is very high.

- The fridge temperature is adjusted to a very high degree. Fridge adjustment has an effect on the temperature of the freezer. Change the temperature of the fridge or freezer until the fridge or freezer temperature reaches to a sufficient level.
- The door might be left ajar. Close the door completely.
- Large amounts of hot food might have been put in the refrigerator recently. Wait until the fridge or freezer reaches the desired temperature.
- Refrigerator might have been plugged in recently. Cooling down of the refrigerator completely takes time because of the size.

Noise similar to the sound of seconds heard from an analog clock is coming from the refrigerator.

<ul style="list-style-type: none"> This noise is coming from the solenoid valve of the refrigerator. Solenoid valve functions for the purpose of ensuring coolant passage through the compartment which can be adjusted to cooling or freezing temperatures, and performing cooling functions. This is normal and is not fault cause.
The operation noise increases when the refrigerator is running.
<ul style="list-style-type: none"> The operating performance characteristics of the refrigerator may change according to the changes in the ambient temperature. It is normal and not a fault.
Vibrations or noise.
<ul style="list-style-type: none"> The floor is not even or it is weak. The refrigerator rocks when moved slowly. Make sure that the floor is level, strong and capable to carry the refrigerator. The noise may be caused by the items put onto the refrigerator. Such items should be removed from the top of the refrigerator.
There are noises like liquid spilling or spraying.
<ul style="list-style-type: none"> Liquid and gas flows happen in accordance with the operating principles of your refrigerator. It is normal and not a fault.
There is a noise like wind blowing.
<ul style="list-style-type: none"> Air activators (fans) are used in order to allow the refrigerator to cool efficiently. It is normal and not a fault.
Condensation on the inner walls of refrigerator.
<ul style="list-style-type: none"> Hot and humid weather increases icing and condensation. It is normal and not a fault. The doors are ajar. Make sure that the doors are closed completely. Doors might have been opened very frequently or they might have been left open for along time. Open the door less frequently.
Humidity occurs on the outside of the refrigerator or between the doors.
<ul style="list-style-type: none"> The weather may be humid. This is quite normal in humid weather. When the humidity is less, condensation will disappear.
Bad odor inside the refrigerator.
<ul style="list-style-type: none"> Inside of the refrigerator must be cleaned. Clean the inside of the refrigerator with a sponge, warm water or carbonated water. Some containers or packaging materials might be causing the smell. Use a different container or different brand packaging material.
The door(s) is (are) not closing.
<ul style="list-style-type: none"> Food packages may prevent the door's closing. Replace the packages that are obstructing the door. The refrigerator is probably not completely vertical on the floor and it might be rocking when slightly moved. Adjust the elevation screws. The floor is not level or strong. Make sure that the floor is level and capable to carry the refrigerator.
Crispers are stuck.
<ul style="list-style-type: none"> The food might be touching the ceiling of the drawer. Rearrange food in the drawer.

Bitte lesen Sie zuerst diese Anleitung!

Sehr geehrte Kundin, sehr geehrter Kunde,

Wir sind sicher, dass Ihnen dieses Produkt, das in modernsten Fertigungsstätten hergestellt und den strengsten Qualitätsprüfungen unterzogen wurde, lange Zeit gute Dienste leisten wird.

Wir empfehlen Ihnen, vor Inbetriebnahme des Gerätes das gesamte Handbuch durchzulesen und es anschließend aufzubewahren.

Diese Anleitung...




... hilft Ihnen, Ihr Gerät schnell und sicher bedienen zu können.

- Lesen Sie die Anleitung, bevor Sie Ihr Produkt aufstellen und bedienen.
- Halten Sie sich an die Anweisungen, beachten Sie insbesondere die Sicherheitshinweise.
- Bewahren Sie die Anleitung an einem leicht zugänglichen Ort auf, damit Sie jederzeit darin nachschlagen können.
- Lesen Sie auch die weiteren Dokumente, die mit Ihrem Produkt geliefert wurden.

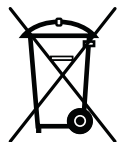
Bitte beachten Sie, dass diese Anleitung eventuell auch für andere Geräte eingesetzt werden kann.

Symbole und ihre Bedeutung

In dieser Anleitung finden Sie die folgenden Symbole:

-  Wichtige Informationen oder nützliche Tipps.
-  Warnung vor Verletzungen oder Beschädigungen.
-  Warnung vor elektrischem Strom.

Recycling



Dieses Produkt ist mit dem selektiven Entsorgungssymbol für elektrische und elektronische Altgeräte (WEEE) gekennzeichnet.

Das bedeutet, dass dieses Produkt gemäß der europäischen Richtlinie 2002/96/EC gehandhabt werden muss, um mit nur minimalen umweltspezifischen Auswirkungen recycelt oder zerlegt werden zu können. Weitere Informationen erhalten Sie von Ihren regionalen Behörden.

Elektronikprodukte, die nicht durch den selektiven Entsorgungsvorgang erfasst werden, stellen durch das Vorhandensein potenziell gefährlicher Substanzen umwelt- und gesundheitsrelevante Risiken dar.

Inhalt

1 Ihr Kühlschrank 3

2 Wichtige Hinweise zu Ihrer Sicherheit 4

Bestimmungsgemäßer Gebrauch	4
Bei Geräten mit Wasserspender:	6
Kinder – Sicherheit	6
HCA-Warnung	7
Tipps zum Energiesparen	7
Empfehlungen zum Kühlbereich.....	7

3 Installation 8

Vorbereitung	8
Was Sie bei einem weiteren Transport Ihres Kühlschranks beachten müssen	8
Bevor Sie Ihren Kühlschrank einschalten	9
Elektrischer Anschluss	9
Entsorgung der Verpackungsmaterialien	10
Entsorgung von Altgeräten	10
Aufstellung und Installation	10
Gerade, ausbalancierte Aufstellung..	11
Spalt zwischen den Türen anpassen	12

4 So bedienen Sie Ihren Kühlschrank 13

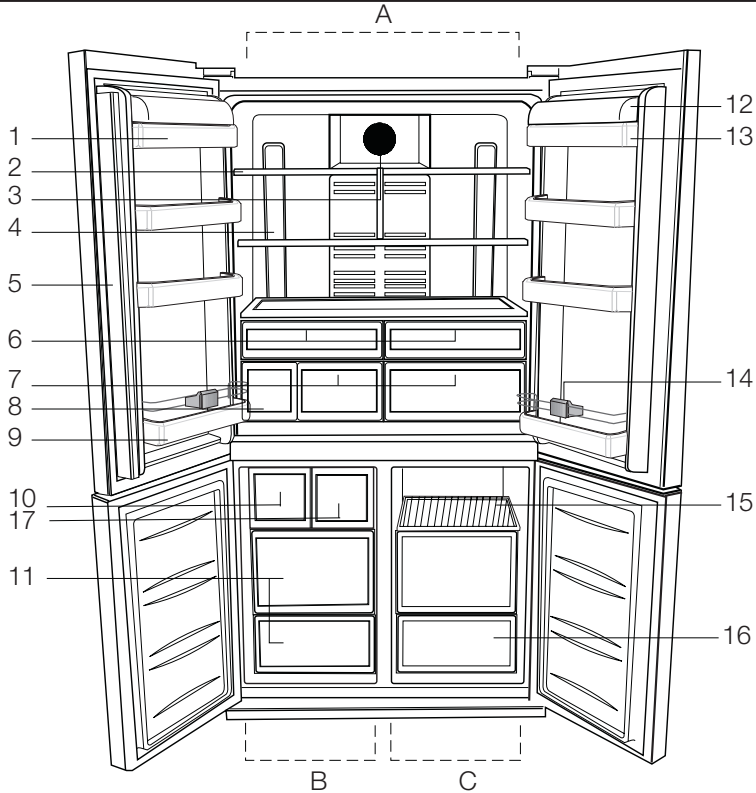
Anzeigefeld.....	13
Butter- & Käsefach	17
Verschiebbare Ablagen	18
Eierbehälter	18
Gemüsefach	18
Kühlfach	18
FlexiZone-Bereich	19
Drehbarer Mittelbereich	19
Blaues Licht.....	19

5 Wartung und Reinigung 20

Schutz der Kunststoffflächen	20
------------------------------------	----

6 Empfehlungen zur Problemlösung 21

1 Ihr Kühlschrank



- | | | | |
|----|-------------------------------------|-----|-----------------------------|
| A: | Kühlbereich | 9- | Flaschenablage |
| B: | Tiefkühlbereich | 10- | Eiswürfelmachine |
| C: | FlexiZone | 11- | Tiefkühlfächer |
| 1- | Kühlbereich-Türablagen | 12- | Butter- & Käsefachabdeckung |
| 2- | Verstellbare Ablagen im Kühlbereich | 13- | Butter- & Käsefach |
| 3- | Leuchtenabdeckung | 14- | Flaschenhalter |
| 4- | Beleuchtung | 15- | Ablagefächer |
| 5- | Drehbarer Mittelbereich | 16- | Flexi Zone Fach |
| 6- | Kühlfach | 17- | Fresh Gefrierschublade |
| 7- | Gemüsefach | | |
| 8- | Wassertank | | |

i Abbildungen und Angaben in dieser Anleitung sind schematisch und können etwas von Ihrem Produkt abweichen. Wenn die Teile nicht im gekauften Produkt enthalten sind, gelten sie für andere Modelle.

2 Wichtige Hinweise zu Ihrer Sicherheit

Bitte lesen Sie die folgenden Hinweise aufmerksam durch. Bei Nichtbeachtung kann es zu Verletzungen und Sachschäden kommen. In diesem Fall erlöschen auch sämtliche Garantie- und sonstigen Ansprüche.

Die reguläre Einsatzzeit des von Ihnen erworbenen Gerätes beträgt 10 Jahre. In diesem Zeitraum halten wir Ersatzteile für das Gerät bereit, damit es stets wie gewohnt arbeiten kann.

Bestimmungsgemäßer Gebrauch

Dieses Produkt ist für folgende Einsatzzwecke vorgesehen:

- Nutzung in Innenräumen; beispielsweise im Privathaushalt
- Einsatz in Geschäftsräumen; beispielsweise in Geschäften und Büros
- Verwendung auf Bauernhöfen oder in Beherbergungsbetrieben; beispielsweise in Hotels und Pensionen
- Das Gerät sollte nicht im Freien benutzt werden.

Allgemeine Hinweise zu Ihrer Sicherheit

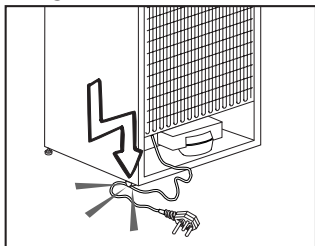
- Wenn Sie das Gerät entsorgen möchten, wenden Sie sich am besten an den autorisierten Kundendienst. Hier erhalten Sie notwendige Informationen und erfahren, welche Stellen für die Entsorgung zuständig sind.
- Bei Problemen und Fragen zum Gerät wenden Sie sich grundsätzlich an den autorisierten Kundendienst.

Ziehen Sie keine Dritten zu Rate, versuchen Sie nichts in Eigenregie, ohne den autorisierten Kundendienst davon in Kenntnis zu setzen.

- Bei Geräten mit Tiefkühlbereich: Der Verzehr von Speiseeis und Eiswürfel unmittelbar nach der Entnahme aus dem Tiefkühlbereich ist nicht ratsam. (Dies kann zu Erfrierungen führen.)
- Bei Geräten mit Tiefkühlbereich: Bewahren Sie Getränke in Flaschen sowie Dosen niemals in Tiefkühlbereich auf. Diese platzen.
- Berühren Sie gefrorene Lebensmittel nicht mit der Hand; sie können festfrieren.
- Ziehen Sie den Netzstecker, bevor Sie den Kühlschrank reinigen oder abtauen.
- Verwenden Sie niemals Dampf- oder Sprühreiniger zum Reinigen oder Abtauen Ihres Kühlschranks. Die Dämpfe oder Nebel können in Kontakt mit stromführenden Teilen geraten und Kurzschlüsse oder Stromschläge auslösen.
- Missbrauchen Sie niemals Teile Ihres Kühlschranks (z. B. Tür) als Befestigungen oder Kletterhilfen.
- Nutzen Sie keine elektrischen Geräte innerhalb des Kühlschranks.
- Achten Sie darauf, den Kühlkreislauf keinesfalls mit Bohr- oder Schneidwerkzeugen zu beschädigen. Das Kühlmittel kann herauspritzen, wenn die Gaskanäle des Verdunsters, Rohr- und Schlauchleitungen oder Oberflächenversiegelungen beschädigt werden. Dies kann zu Hautreizungen und Augenverletzungen führen.

- Decken Sie keinerlei Belüftungsöffnungen des Kühlschranks ab.
- Elektrogeräte dürfen nur von autorisierten Fachkräften repariert werden. Reparaturen durch weniger kompetente Personen können erhebliche Gefährdungen des Anwenders verursachen.
- Sollten Fehler oder Probleme während der Wartung oder Reparaturarbeiten auftreten, so trennen Sie den Kühlschrank von der Stromversorgung, indem Sie die entsprechende Sicherung abschalten oder den Netzstecker ziehen.
- Ziehen Sie niemals am Netzkabel – fassen Sie stets den Stecker selbst.
- Lagern Sie hochprozentige alkoholische Getränke gut verschlossen und aufrecht.
- Lagern Sie niemals Behälter mit brennbaren Gasen (z. B. Spraydosen) oder explosive Dinge im Kühlschrank.
- Nutzen Sie keine mechanischen oder andere Hilfsmittel, um das Gerät abzutauen – es sei denn, solche Hilfsmittel werden ausdrücklich vom Hersteller empfohlen.
- Dieses Gerät darf nicht von Personen (einschließlich Kindern) benutzt werden, die unter körperlichen oder geistigen Einschränkungen leiden oder denen es an der nötigen Erfahrung im Umgang mit solchen Geräten mangelt. Eine Ausnahme kann gemacht werden, wenn solche Personen ständig beaufsichtigt werden und/oder gründlich in der Verwendung des Gerätes unterwiesen wurden.
- Nehmen Sie einen beschädigten Kühlschrank nicht in Betrieb. Wenden Sie sich im Zweifelsfall unbedingt zuerst an den Kundendienst.
- Die elektrische Sicherheit des Gerätes ist nur dann gewährleistet, wenn das hausinterne Erdungssystem den zutreffenden Normen entspricht.
- Setzen Sie das Gerät keinem Regen, Schnee, direktem Sonnenlicht oder Wind aus, da dies die elektrische Sicherheit gefährden kann.
- Damit es nicht zu Gefährdungen kommt, lassen Sie beschädigte Netzkabel unverzüglich vom Kundendienst austauschen.
- Stecken Sie während der Installation niemals den Netzstecker ein. Andernfalls kann es zu schweren bis tödlichen Verletzungen kommen.
- Der Kühlschrank darf nur zum Lagern von Lebensmitteln, keinesfalls für andere Zwecke verwendet werden.
- Das Typenschild mit technischen Daten befindet sich an der linken Innenwand des Kühlschranks.
- Schließen Sie den Kühlschrank niemals an Energiesparsysteme an; andernfalls kann es zu Beschädigungen kommen.
- Bei Geräten mit blauer Innenbeleuchtung: Schauen Sie niemals mit optischen Hilfsmitteln in das blaue Licht.
- Bei manuell gesteuerten Kühlschränken warten Sie nach Stromausfällen mindestens 5 Minuten ab, bevor Sie das Gerät neu starten.
- Falls Sie das Gerät an einen anderen Besitzer weitergeben, vergessen Sie nicht, die Bedienungsanleitung ebenfalls weiterzugeben.
- Achten Sie beim Transportieren des Kühlschranks darauf, dass das Netzkabel nicht beschädigt wird. Geknickte Kabel können sich entzünden. Stellen Sie niemals

schwere Gegenstände auf dem Netzkabel ab. Berühren Sie den Netzstecker niemals mit feuchten oder gar nassen Händen.



- Stecken Sie den Netzstecker niemals in lose Steckdosen ein.
- Sprühen Sie aus Sicherheitsgründen niemals direkt Wasser auf die Innen- und Außenflächen des Gerätes.
- Nutzen Sie niemals leicht entzündliche Substanzen (z. B. Propangas) in der Nähe des Kühlschranks; es besteht Brand- und Explosionsgefahr.
- Stellen Sie niemals mit Wasser oder anderen Flüssigkeiten gefüllte Gefäße auf dem Kühlschrank ab; es besteht Brand- und Stromschlaggefahr.
- Überladen Sie den Kühlschrank nicht mit übermäßig vielen Lebensmitteln. Bei Überladung können Lebensmittel beim Öffnen der Tür herausfallen, Sachschäden und Verletzungen verursachen. Stellen Sie niemals Gegenstände auf dem Kühlschrank ab; solche Gegenstände können beim Öffnen und Schließen der Kühlschranktür herabfallen.
- Materialien, die bei exakt festgelegten Temperaturen gelagert werden müssen (beispielsweise Impfstoffe, wärmeempfindliche Arznei, wissenschaftliche Proben, usw.) sollten nicht im Kühlschrank gelagert werden.

- Ziehen Sie den Netzstecker, wenn Sie den Kühlschrank längere Zeit nicht nutzen. Andernfalls können Brände durch defekte Netzkabel nicht gänzlich ausgeschlossen werden.
- Die Kontakte des Netzsteckers sollten regelmäßig gereinigt werden; andernfalls besteht Brandgefahr.
- Die Steckerkontakte sollten regelmäßig gereinigt werden; andernfalls besteht Brandgefahr.
- Der Kühlschrank kann sich bewegen, falls die Füße nicht richtig auf dem Boden aufliegen. Stellen Sie die verstellbaren Füße so ein, dass der Kühlschrank absolut stabil steht und sich somit nicht bewegen kann.
- Tragen Sie den Kühlschrank nicht am Türgriff; der Griff kann abbrechen.
- Wenn Sie das Gerät neben einem anderen Kühlgerät aufstellen, achten Sie darauf, dass zwischen den Geräten mindestens 8 cm Platz verbleiben. Andernfalls kann sich Feuchtigkeit an den Seitenwänden niederschlagen.

Bei Geräten mit Wasserspender:

Der Wasserdruck sollte zwischen 1 und 8 bar liegen.

- Nur Trinkwasser verwenden.

Kinder – Sicherheit

- Bei abschließbaren Türen bewahren Sie den Schlüssel außerhalb der Reichweite von Kindern auf.
- Kinder müssen stets beaufsichtigt werden, damit sie nicht mit dem Gerät spielen.

HCA-Warnung

Falls Ihr Gerät mit dem Kühlmittel R600a arbeitet:

Dieses Gas ist leicht entflammbar. Achten Sie also darauf, Kühlkreislauf und Leitungen während Betrieb und Transport nicht zu beschädigen. Bei Beschädigungen halten Sie das Produkt von potenziellen Zündquellen (z. B. offenen Flammen) fern und sorgen für eine gute Belüftung des Raumes, in dem das Gerät aufgestellt wurde.

Diese Warnung können Sie ignorieren, wenn Ihr Gerät mit dem Kühlmittel R134a arbeitet.

Das verwendete Kühlmittel wird auf dem Typenschild an der linken Innenseite des Kühlschranks angegeben.

Entsorgen Sie das Gerät niemals durch Verbrennen.

Tipps zum Energiesparen

- Halten Sie die Kühlschranktüren nur möglichst kurz geöffnet.
- Lagern Sie keine warmen Speisen oder Getränke im Kühlschrank ein.
- Überladen Sie den Kühlschrank nicht; die Luft muss frei zirkulieren können.
- Stellen Sie den Kühlschrank nicht im direkten Sonnenlicht oder in der Nähe von Wärmequellen wie Öfen, Spülmaschinen oder Heizkörpern auf.
- Achten Sie darauf, Ihre Lebensmittel in verschlossenen Behältern aufzubewahren.
- Bei Geräten mit Tiefkühlbereich: Sie können noch mehr Lebensmittel einlagern, wenn Sie die Ablagen oder Schubladen aus dem Tiefkühlbereich herausnehmen.

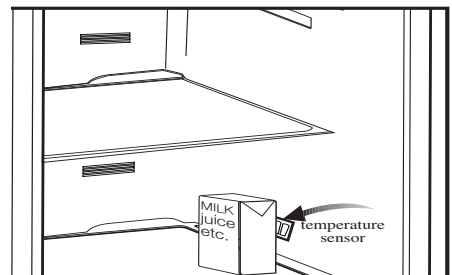
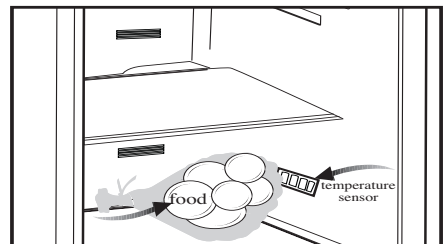
Die Energieverbrauchswerte Ihres Kühlschranks wurden bei maximaler Beladung mit herausgenommenen Ablagen oder Schubladen ermittelt. Ansonsten ist es Ihnen natürlich freigestellt, die Ablagen oder Schubladen zu verwenden.

- Wenn Sie gefrorene Lebensmittel im Kühlbereich auftauen, sparen Sie Energie und bewahren die Qualität der Lebensmittel.

Empfehlungen zum Kühlbereich

* FAKULTATIV

- Achten Sie darauf, dass der Temperatursensor im Kühlbereich nicht mit Lebensmitteln in Berührung kommt. Damit die optimale Lagerungstemperatur im variablen Fach beibehalten werden kann, darf der Sensor nicht von Lebensmitteln blockiert werden.
- Geben Sie keine heißen Speisen in das Gerät.



3 Installation

⚠ Bitte beachten Sie, dass der Hersteller nicht haftet, wenn Sie sich nicht an die Informationen und Anweisungen der Bedienungsanleitung halten.

Vorbereitung

- Ihr Kühlschrank sollte mindestens 30 cm von Hitzequellen wie Kochstellen, Öfen, Heizungen, Herden und ähnlichen Einrichtungen aufgestellt werden. Halten Sie mindestens 5 cm Abstand von Elektroöfen ein, vermeiden Sie die Aufstellung im direkten Sonnenlicht.
- Die Zimmertemperatur des Raumes, in dem der Kühlschrank aufgestellt wird, sollte mindestens 10 °C betragen. Im Hinblick auf den Wirkungsgrad ist der Betrieb des Kühlschranks bei geringerer Umgebungstemperatur nicht ratsam.
- Sorgen Sie dafür, dass das Innere Ihres Kühlschranks gründlich gereinigt wird.
- Falls zwei Kühlschränke nebeneinander platziert werden sollen, achten Sie darauf, dass sie mindestens 2 cm voneinander entfernt aufgestellt werden.
- Wenn Sie den Kühlschrank zum ersten Mal in Betrieb nehmen, halten Sie sich bitte an die folgenden Anweisungen für die ersten sechs Betriebsstunden.
 - Die Kühlschranktür sollte nicht zu häufig geöffnet werden.
 - Der Kühlschrank sollte leer sein.
 - Ziehen Sie nicht den Netzstecker.

Falls der Strom ausfallen sollte, beachten Sie die Warnhinweise im Abschnitt „Empfehlungen zur Problemlösung“.

- Originalverpackung und Schaumstoffmaterialien sollten für den zukünftigen Transport des Gerätes aufbewahrt werden.

Was Sie bei einem weiteren Transport Ihres Kühlschranks beachten müssen

1. Der Kühlschrank muss vor dem Transport geleert und gesäubert werden.
2. Befestigen und sichern Sie Ablagen, Zubehör, Gemüsefach, etc. mit Klebeband, bevor Sie das Gerät neu verpacken.
3. Die Verpackung muss mit kräftigem Klebeband und stabilen Seilen gesichert, die auf der Verpackung aufgedruckten Transporthinweise müssen beachtet werden.

Vergessen Sie nicht...

Jeder wiederverwendete Artikel stellt eine unverzichtbare Hilfe für unsere Natur und unsere Ressourcen dar.

Wenn Sie zur Wiederverwertung von Verpackungsmaterialien beitragen möchten, können Sie sich bei

Die Klimaklasse Ihres Gerätes ist auf dem Typenschild im Inneren des Gerätes angegeben. Die Klimaklasse gibt die zulässigen Umgebungstemperaturen an, wie nachstehend aufgeführt.

Klimaklasse Umgebungstemperaturen

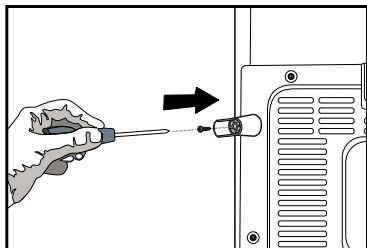
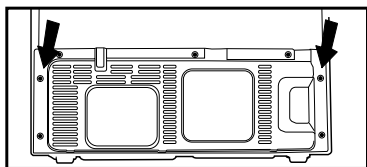
SN.....	+10 °C bis 32 °C
N.....	+16 °C bis 32 °C
ST.....	+18 °C bis 38 °C
T.....	+18 °C bis 43 °C
SN-ST.....	+10 °C bis 38 °C
SN-T.....	+10 °C bis 43 °C

Umweltschutzvereinigungen und Ihren Behörden vor Ort informieren.

Bevor Sie Ihren Kühlschrank einschalten

Bevor Sie Ihren Kühlschrank in Betrieb nehmen, beachten Sie bitte Folgendes:

1. Ist der Innenraum des Kühlschranks trocken, kann die Luft frei an der Rückseite zirkulieren?
2. Setzen Sie die beiden Kunststoffkeile wie in der folgenden Abbildung gezeigt an den hinteren Belüftungsöffnungen ein. Drehen Sie die vorhandenen Schrauben heraus, verwenden Sie die mit den Keilen abgepackten Schrauben. Die Kunststoffkeile sorgen für den richtigen Abstand zwischen Kühlschrank und Wand - und damit für die richtige Luftzirkulation.



3. Reinigen Sie das Innere des Kühlschranks wie im Abschnitt „Wartung und Reinigung“ beschrieben.
4. Stecken Sie den Netzstecker des Kühlschranks in eine Steckdose. Bei geöffneter Tür schaltet sich das Licht im Innenraum ein.

5. Sie hören ein Geräusch, wenn sich der Kompressor einschaltet. Die Flüssigkeiten und Gase im Kühlsystem können auch leichte Geräusche erzeugen, wenn der Kompressor nicht läuft. Dies ist völlig normal.
6. Die Vorderkanten des Kühlgerätes können sich warm anfühlen. Dies ist normal. Diese Bereiche wärmen sich etwas auf, damit sich kein Kondenswasser bildet.

Elektrischer Anschluss

Schließen Sie Ihren Kühlschrank an eine geerdete (Schuko-) Steckdose an. Diese Steckdose muss mit einer passenden Sicherung abgesichert werden.

Wichtig:

- Der Anschluss muss gemäß lokaler Vorschriften erfolgen.
 - Der Netzkabelstecker muss nach der Installation frei zugänglich bleiben.
 - Informationen zur richtigen Spannung und Sicherungsdimensionierung finden Sie im Abschnitt „Technische Daten“.
 - Die angegebene Spannung muss mit Ihrer Netzspannung übereinstimmen.
 - Zum Anschluss dürfen keine Verlängerungskabel oder Mehrfachsteckdosen verwendet werden.
- ⚠ Ein beschädigtes Netzkabel muss unverzüglich durch einen qualifizierten Elektriker ausgetauscht werden.
- ⚠ Das Gerät darf vor Abschluss der Reparaturen nicht mehr betrieben werden! Es besteht Stromschlaggefahr!

Entsorgung der Verpackungsmaterialien

Das Verpackungsmaterial kann eine Gefahr für Kinder darstellen. Halten Sie Verpackungsmaterialien von Kindern fern oder entsorgen Sie das Verpackungsmaterial gemäß den gültigen Entsorgungsbestimmungen. Entsorgen Sie Verpackungsmaterialien nicht mit dem regulären Hausmüll.

Die Verpackung Ihres Gerätes wurde aus recyclingfähigen Materialien hergestellt.

Entsorgung von Altgeräten

Entsorgen Sie Altgeräte auf umweltfreundliche Weise.

- Bei Fragen zur richtigen Entsorgung wenden Sie sich bitte an Ihren Händler, an eine Sammelstelle oder Ihre Stadtverwaltung.

Bevor Sie das Gerät entsorgen, schneiden Sie den Netzstecker ab und machen die Türverschlüsse (sofern vorhanden) unbrauchbar, damit Kinder nicht in Gefahr gebracht werden.

Aufstellung und Installation

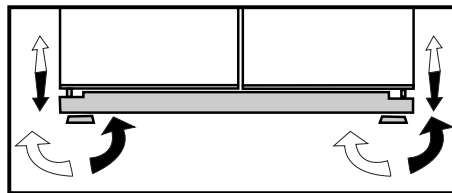
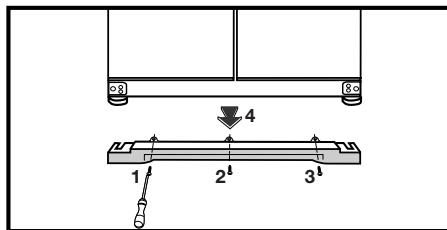
Achtung: Stecken Sie während der Installation niemals den Netzstecker ein. Andernfalls kann es zu schweren bis tödlichen Verletzungen kommen.

Falls die Tür des Raumes, in dem der Kühlschrank aufgestellt werden soll, nicht breit genug ist, wenden Sie sich an den autorisierten Kundendienst, lassen die Kühlschranktüren demontieren und befördern das Gerät seitlich durch die Tür.

1. Stellen Sie Ihren Kühlschrank an einer gut erreichbaren Stelle auf.
2. Platzieren Sie den Kühlschrank nicht in der Nähe von Wärmequellen oder dort, wo er Feuchtigkeit oder direktem Sonnenlicht ausgesetzt ist.

3. Damit das Gerät richtig arbeiten kann, müssen Sie ausreichend Platz um das Gerät herum freilassen, damit eine ordentliche Belüftung gewährleistet ist.

Wenn Sie den Kühlschrank in einer Nische aufstellen, müssen Sie einen Abstand von mindestens 5 cm zur Decke und 5 cm zu den Wänden einhalten.

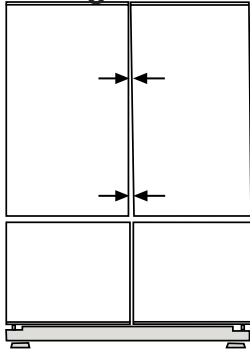


Wenn Sie das Gerät auf einem Teppich oder Teppichboden aufstellen, müssen Sie einen Abstand von mindestens 2,5 cm zum Boden einhalten.

4. Stellen Sie Ihren Kühlschrank auf einem ebenen Untergrund auf, damit er nicht wackelt.

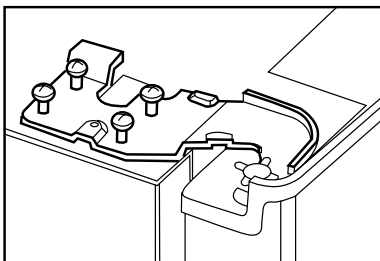
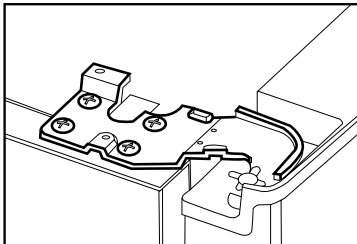
5. Stellen Sie den Kühlschrank nicht an Stellen auf, an denen Temperaturen von weniger als 10 °C herrschen.

Gerade, ausbalancierte Aufstellung



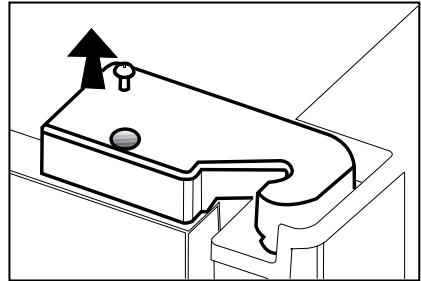
Wenn Ihr Kühlschrank nicht absolut gerade steht:

1: Drehen Sie zunächst die Schrauben an der Belüftungsöffnungabdeckung wie in der Abbildung gezeigt heraus.

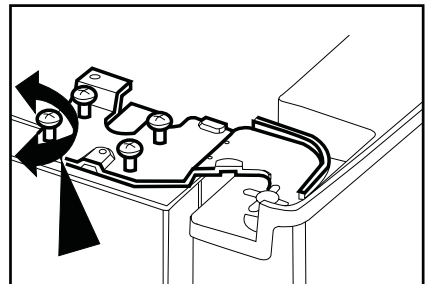


Sie können den Kühlschrank – wie in der Abbildung gezeigt – durch Drehen der Frontfüße ausbalancieren. Wenn Sie in Richtung des schwarzen Pfeils drehen, senkt sich die Ecke, an der sich der Fuß befindet. Beim Drehen

in Gegenrichtung wird die Ecke angehoben. Diese Arbeit fällt erheblich leichter, wenn ein Helfer das Gerät etwas anhebt.

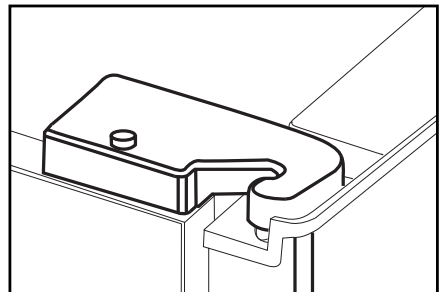


2. Wenn das Gerät absolut gerade steht, bringen Sie die



Mittelschraube

Belüftungsöffnungabdeckung wieder an und fixieren sie mit Schrauben.



3. Drehen Sie die Schrauben an der unteren Belüftungsöffnungabdeckung mit einem Kreuzkopfschraubendreher heraus.

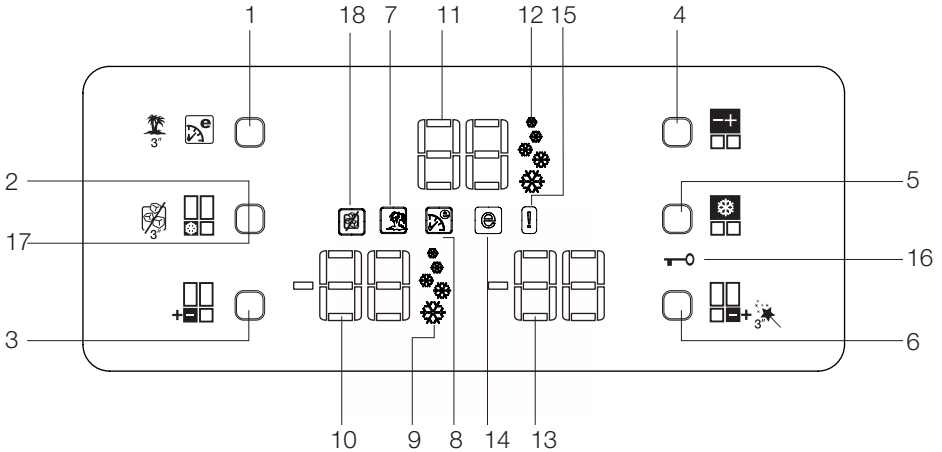
Spalt zwischen den Türen anpassen

- Sie können den Spalt zwischen den Kühlbereichtüren wie in den Abbildungen gezeigt anpassen. Beim Einstellen der Türhöhe sollten die Türablagen leer sein.
- Drehen Sie mit einem Schraubendreher die Schraube am oberen Türscharnier der einzustellenden Tür heraus.
- Stellen Sie die Tür nach Lösen der Schrauben nach Wunsch ein.
- Fixieren Sie die eingestellte Tür durch Anziehen der Schrauben; ändern Sie die Türposition dabei nicht.
- Setzen Sie die Scharnierabdeckung wieder auf, ziehen Sie die Schraube an.

4 So bedienen Sie Ihren Kühlschrank

Anzeigefeld

Über das Sensor-Anzeigefeld können Sie die Temperatur einstellen, ohne die Tür Ihres Kühlgerätes öffnen zu müssen. Zur Temperatúrauswahl berühren Sie die passenden Tasten einfach mit dem Finger.



1. Öko-Extra-/Urlaubstaste
2. Schnellgefriertaste
3. Tiefkühlbereichtemperatureinstellta ste
4. Kühlbereichtemperatureinstelltaste
5. Schnellkühltaste
6. FlexiZone-Temperatureinstelltaste
7. Urlaubsfunktionanzeige
8. Öko-Fuzzy-Anzeige
9. Schnellgefrieranzeige
10. Tiefkühlbereichtemperaturanzeige
11. Kühlbereichtemperaturanzeige
12. Schnellkühlanzeige
13. FlexiZone-Temperaturanzeige
14. Ökomodus-Anzeige
15. Fehlerstatusanzeige
16. Tastensperre-Anzeige
17. Kein Eis-Anzeige
18. Kein Eis-Taste

i Abbildungen und Angaben in dieser Anleitung sind schematisch und können etwas von Ihrem Produkt abweichen. Wenn die Teile nicht im gekauften Produkt enthalten sind, gelten sie für andere Modelle.

1. Öko-Extra-/Urlaubstaste

Zum Einschalten der Öko Extra-Funktion berühren Sie diese Taste nur kurz. Durch Gedrückthalten dieser Taste (3 Sekunden lang) schalten Sie die Urlaubsfunktion ein. Zum Abschalten der ausgewählten Funktion berühren Sie die Taste noch einmal.

2. Schnellgefriertaste

Zum Einschalten der Schnellgefrierfunktion berühren Sie diese Taste nur kurz. Zum Abschalten der ausgewählten Funktion berühren Sie die Taste noch einmal.

3. Tiefkühlbereichtemperatureinstelltaste

Durch mehrmaliges Drücken dieser Taste stellen Sie die Tiefkühlbereichtemperatur auf -18 °, -20 °, -22 °, -24 °, -18 °C ... ein. Stellen Sie die Temperatur des Tiefkühlbereiches mit dieser Taste ein.

4. Kühlbereichtemperatureinstelltaste

Durch mehrmaliges Drücken dieser Taste stellen Sie die Kühlbereichtemperatur auf 8 °, 6 °, 4°, 2 °, 8 °C ... ein. Stellen Sie die Temperatur des Kühlbereiches mit dieser Taste ein.

5. Schnellkühltaste

Zum Einschalten der Schnellkühlfunktion berühren Sie diese Taste nur kurz. Zum Abschalten der ausgewählten Funktion berühren Sie die Taste noch einmal.

6. FlexiZone-Temperatureinstelltaste

Den FlexiZone-Bereich können Sie entweder zum Kühlen oder zum Tiefkühlen verwenden. Durch Gedrückthalten dieser Taste (3 Sekunden lang) stellen Sie den FlexiZone-Bereich entweder auf Kühlen oder Tiefkühlen um. Per Vorgabe ist dieser Bereich auf Tiefkühlen eingestellt.

Wenn der FlexiZone-Bereich auf Tiefkühlen eingestellt ist, ändert sich die Temperaturvorgabe bei jedem Tastendruck wie folgt: -18, -20, -22, -24, -18, ... Wenn der FlexiZone-Bereich auf Kühlen eingestellt ist, ändert sich die Temperaturvorgabe bei jedem Tastendruck wie folgt: 10, 8, 6, 4, 2, 0, -6, ...

7. Urlaubsfunktionanzeige

Zeigt an, dass die Urlaubsfunktion aktiv ist. Wenn diese Funktion aktiv ist, erscheint „-“ in der Anzeige zum Kühlbereich – der Kühlbereich wird nicht mehr gekühlt. Die restlichen Bereiche werden weiterhin mit den vorgegebenen Temperaturen gekühlt.

Zum Abschalten dieser Funktion berühren Sie die Taste noch einmal.

8. Öko-Extra-Anzeige

Zeigt an, dass die Öko Extra-Funktion aktiv ist. Wenn diese Funktion aktiv ist, erkennt Ihr Kühlgerät die Zeiten, in denen Sie das Kühlgerät besonders selten nutzen und passt die Kühlungsleistung in diesen Zeiträumen

entsprechend an. In den Perioden besonders energiesparender Kühlung leuchtet die Ökomodus-Anzeige auf.

Zum Abschalten dieser Funktion berühren Sie die Taste noch einmal.

9. Schnellgefrieranzeige

Zeigt an, dass die Schnellgefrieren-Funktion aktiv ist. Diese Funktion nutzen Sie, wenn Sie frische Lebensmittel in das Tiefkühlfach geben oder Eis benötigen. Wenn diese Funktion aktiv ist, arbeitet Ihr Kühlgerät 6 Stunden lang ununterbrochen.

Zum Abschalten dieser Funktion berühren Sie die Taste noch einmal.

10. Tiefkühlbereichtemperaturanzeige

Zeigt die für den Tiefkühlbereich eingestellte Temperatur an.

11. Kühlbereichtemperaturanzeige

Zeigt die für den Kühlbereich eingestellte Temperatur an.

12. Schnellkühlanzeige

Zeigt an, dass die Schnellkühlfunktion aktiv ist. Diese Funktion nutzen Sie, wenn Sie frische Lebensmittel in das Kühlfach geben oder Ihre Lebensmittel besonders schnell kühlen möchten. Wenn diese Funktion aktiv ist, arbeitet Ihr Kühlgerät 2 Stunden lang ununterbrochen.

Zum Abschalten dieser Funktion berühren Sie die Taste noch einmal.

13. FlexiZone-Temperaturanzeige

Zeigt die für den FlexiZone-Bereich voreingestellte Temperatur an.

14. Ökomodus-Anzeige

Zeigt an, dass das Kühlgerät besonders energiesparend arbeitet. Kühlbereichtemperatur

Diese Anzeige leuchtet auf, wenn die Temperatur auf -18 °C eingestellt ist oder das Gerät im Zuge der Öko Extra-Funktion besonders ökonomisch arbeitet.

15. Fehlerstatusanzeige

Diese Anzeige wird aktiv, wenn Ihr Kühlgerät nicht effektiv funktioniert oder ein Sensor ausgefallen sein sollte. Wenn diese Anzeige aktiv ist, zeigt die Tiefkühlbereichtemperaturanzeige „E“, die Kühlbereichtemperaturanzeige Zahlen an; z. B. „1, 2, 3, ...“. Anhand dieser Zahlen kann der Kundendienst wertvolle Informationen über den jeweiligen Fehler gewinnen.

16. Tastensperre-Anzeige

Diese Funktion nutzen Sie, wenn die Temperatureinstellungen Ihres Kühlgerätes unverändert bleiben sollen. Zum Einschalten dieser Funktion halten Sie die Schnellkühl- und die FlexiZone-Temperatureinstelltaste gemeinsam 3 Sekunden lang gedrückt.

Zum Abschalten dieser Funktion drücken Sie die entsprechenden Tasten noch einmal.

17. Kein Eis-Taste

Wenn Ihr Kühlschrank kein Eis mehr bereiten soll, halten Sie diese Taste 3 Sekunden lang gedrückt. Bei abgeschalteter Eisbereitung gelangt kein Wasser mehr in das Eisfach. Allerdings kann noch etwas Eis im Eisfach zurückbleiben, das sich leicht entnehmen lässt. Wenn Ihr Kühlschrank wieder Eis bereiten soll, halten Sie diese Taste erneut 3 Sekunden lang gedrückt.

18. Kein Eis-Anzeige

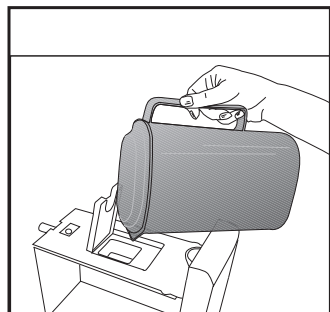
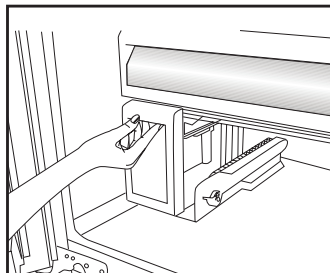
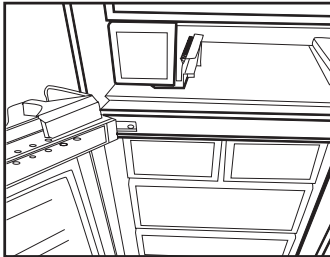
Diese Funktion nutzen Sie, wenn Ihr Kühlschrank kein Eis bereiten soll. Dazu halten Sie die Kein Eis-Taste 3 Sekunden lang gedrückt.

Tür offen-Alarm:

Falls die Tür zum Kühlbereich oder zum FlexiZone-Bereich länger als 1 Minute geöffnet bleibt, ertönt ein Signalton. Zum Abschalten dieses Alarms drücken Sie einfach eine beliebige Taste oder schließen die geöffnete Tür.

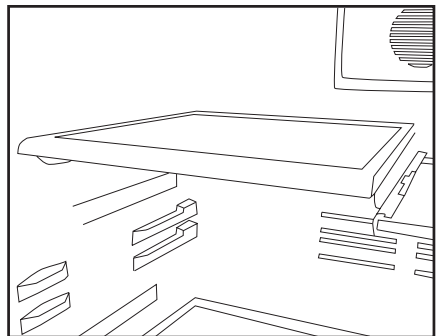
Auto-Eisbereiter

Mit dem automatischen Eisbereiter erhalten Sie Eis schnell und einfach. Nehmen Sie den Wassertank aus dem Kühlbereich heraus, füllen Sie den Tank mit Wasser, setzen Sie den Tank anschließend wieder ein. Nach 2 Stunden liegt das erste Eis in der Eisschublade im Tiefkühlbereich für Sie bereit. Ein komplett gefüllter Wassertank reicht für 70 Eiswürfel. Wechseln Sie das Wasser im Wassertank nach spätestens 2 – 3 Wochen aus.



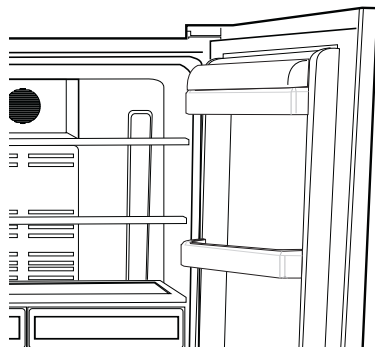
Schubablagen

Die Schubablagen lassen sich vorwärts und rückwärts verschieben. Auch die Höhe lässt sich ändern, indem Sie die Ablagen herausnehmen und an einer höheren oder tieferen Stelle wieder einsetzen. Zum Herausnehmen heben Sie die Ablage leicht an und ziehen sie zu sich hin heraus.



Butter- & Käsefach

In diesem Bereich, der mit einer Abdeckung geschützt ist, können Sie z. B. Butter, Käse und Margarine aufbewahren.

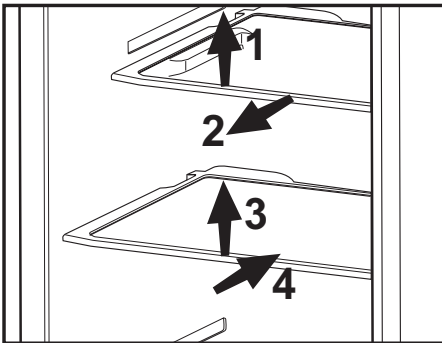


Eierbehälter

- Sie können den Eierhalter in der Tür oder auf einer Ablage platzieren.
- Legen Sie den Eierhalter niemals in den Tiefkühlbereich.

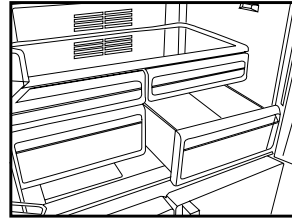
Verschiebbare Ablagen

Sie verschieben die Ablagen, indem Sie sie vorne etwas anheben und anschließend nach vorne ziehen oder nach hinten schieben. Sie können die Ablagen bis zum Anschlag herausziehen, um leichter an die Lebensmittel im hinteren Teil der Ablage heranzukommen. Die Ablage lässt sich vollständig entnehmen, indem Sie sie leicht anheben und anschließend weiter herausziehen. Halten Sie die Ablage fest im Griff (am besten von unten abstützen), damit sie nicht kippt. Die Ablagen laufen in Schienen an den Seiten des Innenraums; Sie können Schienen in unterschiedlicher Höhe nutzen. Schieben Sie die Ablage stets bis zum Anschlag ein.



Gemüsefach

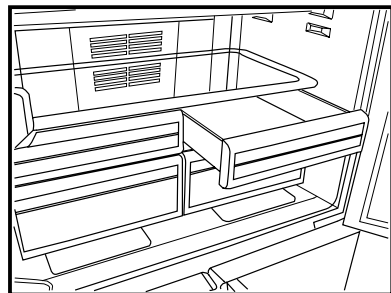
Im Gemüsefach Ihres Kühlgerätes bleibt Gemüse länger frisch und behält seine natürliche Feuchtigkeit. Dazu wird ständig kühle Luft zum Gemüsefach geleitet.



Kühlfach

In Kühlfach können Sie Lebensmittel auf das Einfrieren vorbereiten. Ebenso eignet sich dieser Bereich für Lebensmittel, die Sie ein paar Grad unterhalb der regulären Kühlbereichstemperatur aufbewahren möchten.

Durch Herausnehmen der Snack-Ablage(n) können Sie das Volumen Ihres Kühlschranks vergrößern. Dazu ziehen Sie das entsprechende Fach zu sich heran, bis es gegen den Anschlag stößt. Nun heben Sie das Fach etwa 1 cm an und ziehen es zu sich hin heraus.

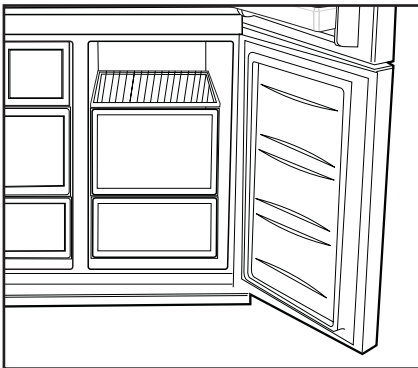


Drehbarer Mittelbereich

Der drehbare Mittelbereich sorgt dafür, dass die kühle Luft im Inneren Ihres Kühlgerätes nicht nach außen entweichen kann. Wenn die Türen des Kühlbereiches geschlossen sind, liegen die Türdichtungen am drehbaren Mittelbereich an und versiegeln diesen Bereich zusätzlich. Ein weiterer Vorteil des drehbaren Mittelbereiches besteht darin, dass sich dadurch das Nettovolumen des Kühlbereiches vergrößert. Andernfalls würde wertvoller Platz im Kühlgerät verschenkt.

FlexiZone-Bereich

Den FlexiZone-Bereich können Sie nach Belieben einsetzen; durch individuelle Einstellung der Kühl- (2, 4, 6, 8 °C) oder Tiefkühltemperatur (-18, -20, -22, -24 °C). Die gewünschte Temperatur stellen Sie mit der FlexiZone-Temperatureinstelltaste ein. Zusätzlich zu den üblichen Einstellungen des (Tief-)Kühlbereiches können Sie die Temperatur des FlexiZone-Bereiches auf 0 und 10 ° oder auf -6 °C einstellen. Bei 0 °C können Sie Feinkost länger

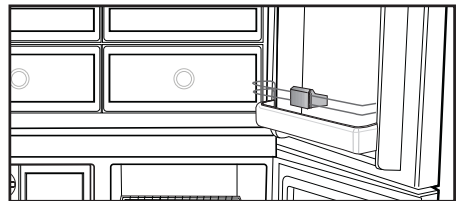


aufbewahren, bei -6 °C hält sich Fleisch bis zu zwei Wochen lang und kann nach dem Herausnehmen auch problemlos geschnitten werden.

i Ein spezielles Kühlelement an der Rückseite des Gerätes sorgt dafür, dass sich dieser Bereich zum Kühlen oder Tiefkühlen einsetzen lässt. Wenn dieses Kühlelement aktiv ist, können Geräusche entstehen, die an das Ticken einer Uhr erinnern. Dies ist völlig normal und keine Fehlfunktion.

Blaues Licht

Im Gemüsefach gelagertes Gemüse, wird mit blauem Licht beleuchtet. Dadurch wird die Photosynthese mit Hilfe des Wellenlängeneffekts des blauen Lichts fortgesetzt, Vitamine und Frische bleiben erhalten.



5 **Wartung und Reinigung**

- ⚠ Verwenden Sie zu Reinigungszwecken niemals Benzin oder ähnliche Substanzen.
- ⚠ Wir empfehlen, vor dem Reinigen den Netzstecker zu ziehen.
- ⓘ Verwenden Sie zur Reinigung niemals scharfe Gegenstände, Seife, Haushaltsreiniger, Waschmittel oder Wachspolituren.
- ⓘ Reinigen Sie das Gehäuse des Gerätes mit lauwarmem Wasser, wischen Sie die Flächen danach trocken.
- ⚠ Zur Reinigung des Innenraums verwenden Sie ein feuchtes Tuch, das Sie in eine Lösung aus 1 Teelöffel Natron und einem halben Liter Wasser getaucht und ausgewrungen haben. Nach dem Reinigen wischen Sie den Innenraum trocken.
- ⚠ Achten Sie darauf, dass kein Wasser in das Lampengehäuse oder andere elektrische Komponenten eindringt.
- ⚠ Wenn Ihr Kühlgerät längere Zeit nicht benutzt wird, ziehen Sie den Netzstecker, nehmen alle Lebensmittel heraus, reinigen das Gerät und lassen die Türe geöffnet.

- ⓘ Kontrollieren Sie die Türdichtungen regelmäßig, um sicherzustellen, dass diese sauber und frei von Speiseresten sind.
- ⓘ Zum Entfernen einer Türablage räumen Sie sämtliche Gegenständen aus der Ablage und schieben diese dann nach oben heraus.

Schutz der Kunststoffflächen

- ⓘ Geben Sie keine Öle oder stark fetthaltige Speisen offen in Ihren Kühlschrank – dadurch können die Kunststoffflächen angegriffen werden. Sollten die Plastikoberflächen einmal mit Öl in Berührung kommen, so reinigen Sie die entsprechenden Stellen umgehend mit warmem Wasser.

6 Empfehlungen zur Problemlösung

Bitte arbeiten Sie diese Liste durch, bevor Sie den Kundendienst anrufen. Das kann Ihnen Zeit und Geld sparen. In der Liste finden Sie häufiger auftretende Probleme, die nicht auf Verarbeitungs- oder Materialfehler zurückzuführen sind. Nicht alle hier beschriebenen Funktionen sind bei jedem Modell verfügbar.

Der Kühlschrank arbeitet nicht
<ul style="list-style-type: none">• Ist der Kühlschrank richtig angeschlossen? Stecken Sie den Netzstecker in die Steckdose.• Ist die entsprechende Haussicherung herausgesprungen oder durchgebrannt? Überprüfen Sie die Sicherung.
Kondensation an den Seitenwänden des Kühlbereiches. (MULTIZONE, KÜHLKONTROLLE, FLEXIZONE)
<ul style="list-style-type: none">• Sehr geringe Umgebungstemperaturen. Häufiges Öffnen und Schließen der Tür. Sehr feuchte Umgebung. Offene Lagerung von feuchten Lebensmitteln. Tür nicht richtig geschlossen.• Kühlere Thermostateinstellung wählen.• Türen kürzer geöffnet halten oder seltener öffnen.• Offene Behälter abdecken oder mit einem geeigneten Material einwickeln.• Kondensation mit einem trockenen Tuch entfernen und überprüfen, ob diese erneut auftritt.
Der Kompressor läuft nicht
<ul style="list-style-type: none">• Eine Schutzschaltung stoppt den Kompressor bei kurzzeitigen Unterbrechungen der Stromversorgung und wenn das Gerät zu oft und schnell ein- und ausgeschaltet wird, da der Druck des Kühlmittels eine Weile lang ausgeglichen werden muss.• Ihr Kühlschrank beginnt nach etwa sechs Minuten wieder zu arbeiten. Bitte wenden Sie sich an den Kundendienst, wenn Ihr Kühlschrank nach Ablauf dieser Zeit nicht wieder zu arbeiten beginnt.• Der Kühlschrank taut ab. Dies ist bei einem vollautomatisch abtauenden Kühlschrank völlig normal. Das Gerät taut von Zeit zu Zeit ab.• Der Netzstecker ist nicht eingesteckt. Überzeugen Sie sich davon, dass der Stecker komplett in die Steckdose eingesteckt ist.• Stimmen die Temperatureinstellungen? Der Strom ist ausgefallen. Wenden Sie sich an Ihren Stromversorger.
Der Kühlschrank arbeitet sehr intensiv oder über eine sehr lange Zeit.

- Ihr neuer Kühlschrank ist vielleicht etwas breiter als sein Vorgänger. Dies ist völlig normal. Große Kühlgeräte arbeiten oft längere Zeit.
- Die Umgebungstemperatur kann hoch sein. Dies ist normal.
- Das Kühlgerät wurde möglicherweise erst vor kurzem in Betrieb genommen oder mit Lebensmitteln gefüllt. Es kann einige Stunden länger dauern, bis der Kühlschrank seine Arbeitstemperatur erreicht hat.
- Kurz zuvor wurden größere Mengen warmer Speisen im Kühlschrank eingelagert. Heiße Speisen führen dazu, dass der Kühlschrank etwas länger arbeiten muss, bis die geeignete Temperatur zur sicheren Lagerung erreicht ist.
- Türen wurden häufig geöffnet oder längere Zeit nicht richtig geschlossen. Der Kühlschrank muss länger arbeiten, weil warme Luft in den Innenraum eingedrungen ist. Öffnen Sie die Türen möglichst selten.
- Die Tür des Kühl- oder Tiefkühlbereichs war nur angelehnt. Vergewissern Sie sich, dass die Türen richtig geschlossen wurden.
- Die Kühlschranktemperatur ist sehr niedrig eingestellt. Stellen Sie die Kühlschranktemperatur höher ein und warten Sie, bis die gewünschte Temperatur erreicht ist.
- Die Türdichtungen von Kühl- oder Gefrierbereich sind verschmutzt, verschlissen, beschädigt oder sitzen nicht richtig. Reinigen oder ersetzen Sie die Dichtung. Beschädigte oder defekte Dichtungen führen dazu, dass der Kühlschrank länger arbeiten muss, um die Temperatur halten zu können.

Die Temperatur im Tiefkühlbereich ist sehr niedrig, während die Temperatur im Kühlbereich normal ist.

- Die Tiefkühltemperatur ist sehr niedrig eingestellt. Stellen Sie die Gefrierfachtemperatur wärmer ein und prüfen Sie.

Die Temperatur im Kühlbereich ist sehr niedrig, während die Temperatur im Tiefkühlbereich normal ist.

- Die Kühltemperatur ist sehr niedrig eingestellt. Stellen Sie die Kühlbereichtemperatur wärmer ein und prüfen Sie.

Im Kühlbereich gelagerte Lebensmittel frieren ein.

- Die Kühltemperatur ist sehr niedrig eingestellt. Stellen Sie die Kühlbereichtemperatur wärmer ein und prüfen Sie.

Die Temperatur im Kühl- oder Tiefkühlbereich ist sehr hoch.

- Die Kühltemperatur ist sehr hoch eingestellt. Die Einstellung des Kühlbereichs beeinflusst die Temperatur im Tiefkühlbereich. Stellen Sie den Kühl- oder Tiefkühlbereich auf die gewünschte Temperatur ein.
- Die Kühlschranktür ist nur angelehnt. Schließen Sie die Tür komplett.
- Kurz zuvor wurden größere Mengen warmer Speisen im Kühlschrank eingelagert. Warten Sie, bis der Kühl- oder Tiefkühlbereich die gewünschte Temperatur erreicht.
- Der Kühlschrank ist eben erst eingeschaltet worden. Ihr Kühlschrank braucht aufgrund der Größe einige Zeit, um sich auf die gewünschte Temperatur abzukühlen.

Der Kühlschrank gibt Geräusche von sich, die an das Ticken des Sekundenzeigers einer Uhr erinnern.

- Diese Geräusch entsteht durch das Magnetventil des Gerätes. Das Magnetventil sorgt für den richtigen Durchfluss des Kühlmittels; es passt seine Funktion der jeweiligen Situation an. Dies ist völlig normal und keine Fehlfunktion.

Das Betriebsgeräusch nimmt zu, wenn der Kühlschrank arbeitet.

- Das Betriebsverhalten des Kühlgerätes kann sich je nach Umgebungstemperatur ändern. Dies ist völlig normal und keine Fehlfunktion.

Vibrationen oder Betriebsgeräusche.

- Der Boden ist nicht eben oder nicht fest. Der Kühlschrank wackelt, wenn er etwas bewegt wird. Achten Sie darauf, dass der Boden eben, stabil und in der Lage ist, den Kühlschrank problemlos zu tragen.
- Das Geräusch kann durch auf dem Kühlschrank abgestellte Gegenstände entstehen. Nehmen Sie die betreffenden Gegenstände vom Kühlschrank herunter.

Fließ- oder Spritzgeräusche sind zu hören.

- Aus technischen Gründen bewegen sich Flüssigkeiten und Gase innerhalb des Gerätes. Dies ist völlig normal und keine Fehlfunktion.

Windähnliche Geräusche sind zu hören.

- Damit das Gerät möglichst effektiv arbeiten kann, werden Luftumwälzer (Ventilatoren) eingesetzt. Dies ist völlig normal und keine Fehlfunktion.

Kondensation an den Kühlschrankinnenflächen.

- Bei heißen und feuchten Wetterlagen tritt verstärkt Eisbildung und Kondensation auf. Dies ist völlig normal und keine Fehlfunktion.
- Die Türen sind nicht richtig geschlossen. Achten Sie darauf, dass die Türen komplett geschlossen sind.
- Die Türen wurden sehr häufig geöffnet oder längere Zeit offen stehen gelassen. Öffnen Sie die Türen möglichst selten.

Feuchtigkeit sammelt sich an der Außenseite des Kühlschranks oder an den Türen.

- Es herrscht hohe Luftfeuchtigkeit. Dies ist bei feuchtem Wetter völlig normal. Die Kondensation verschwindet, sobald die Feuchtigkeit abnimmt.

Unangenehmer Geruch im Kühlschrankinnenraum.

- Das Innere des Kühlschranks muss gereinigt werden. Reinigen Sie das Innere des Kühlschranks mit einem Schwamm, den Sie mit warmem oder kohlensäurehaltigem Wasser angefeuchtet haben.
- Bestimmte Behälter oder Verpackungsmaterialien verursachen den Geruch. Verwenden Sie andere Behälter oder Verpackungsmaterial einer anderen Marke.

Die Tür(en) lässt/lassen sich nicht schließen.

- Lebensmittelpackungen verhindern eventuell das Schließen der Tür. Entfernen Sie die Verpackungen, welche die Tür blockieren.
- Der Kühlschrank ist vermutlich nicht absolut gerade aufgestellt und wackelt, wenn er leicht bewegt wird. Stellen Sie die Höheneinstellschrauben ein.
- Der Boden ist nicht eben oder nicht stabil genug. Achten Sie darauf, dass der Boden eben ist und das Gewicht des Kühlschranks problemlos tragen kann.

Das Gemüsefach klemmt.

- Die Lebensmittel berühren eventuell den oberen Teil der Schublade. Ordnen Sie die Lebensmittel in der Schublade anders an.

Veillez d'abord lire la notice d'utilisation !

Chère cliente, cher client,

Nous espérons que votre produit, qui a été fabriqué dans des usines modernes et vérifié au terme des procédures de contrôle de qualité les plus méticuleuses, vous aidera efficacement.

Pour cette raison, nous vous conseillons de lire attentivement tout le manuel d'utilisation de votre produit avant de vous en servir, et de le conserver ensuite pour une utilisation ultérieure.

Le présent manuel

- vous aidera à utiliser votre produit avec rapidité et sécurité.
 - Lisez le manuel avant d'installer et de faire fonctionner votre produit.
 - Respectez les instructions, notamment celles relatives à la sécurité.
 - Conservez ce manuel dans un endroit facilement accessible car vous pouvez en avoir besoin ultérieurement.
 - En plus, lisez également les autres documents fournis avec votre produit.
- Veillez noter que ce manuel peut également être valide pour d'autres modèles.

Symboles et descriptions

Vous retrouverez les symboles suivants dans le présent manuel :

 Informations importantes ou astuces.

 Avertissement relatif aux conditions dangereuses pour la vie et la propriété.

 Avertissement relatif à la tension électrique.

Recyclage

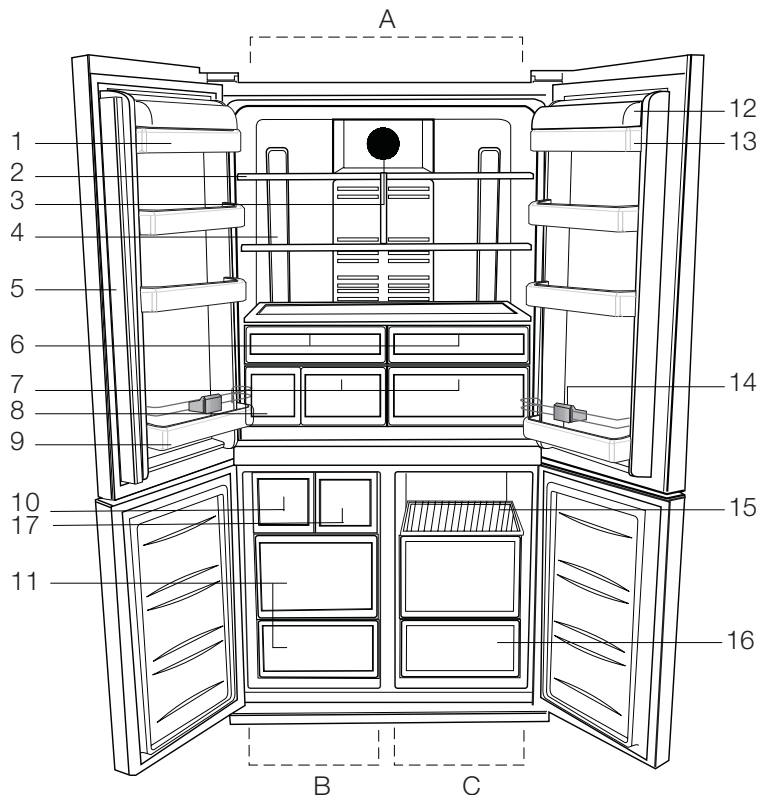


Ce produit est marqué du symbole du tri sélectif, relatif aux déchets d'équipements électriques et électroniques. Cela signifie que ce produit doit être pris en charge par un système de collecte sélectif conformément à la directive européenne 2002/96/CE, afin de pouvoir être recyclé ou démantelé dans le but de réduire tout impact sur l'environnement. Attention les produits électroniques n'ayant pas fait l'objet d'un tri sélectif sont potentiellement dangereux pour l'environnement et la santé humaine en raison de la présence potentielle de substances dangereuses.

Table des matières

1 Votre réfrigérateur	3	4 Utilisation de votre réfrigérateur	13
2 Précautions importantes pour votre sécurité	4	Bandeau indicateur.....	13
Utilisation prévue	4	Alarme d'ouverture de porte :	16
Pour les appareils dotés d'une fontaine à eau ;	6	Section pour Beurre et Fromages	17
Sécurité enfants.....	7	Etagères coulissantes.....	18
Avertissement HCA	7	Casier à œufs	18
Mesures d'économie d'énergie.....	7	Bac à légumes	18
Recommandations pour le compartiment produits frais	8	Compartiment Zone fraîche	18
		Compartiment Flexi Zone.....	19
		Section centrale pivotante	19
		Éclairage bleu.....	19
3 Installation	9	5 Entretien et nettoyage	20
Préparation.....	9	Protection des surfaces en plastique.	20
Points à prendre en compte lorsque vous transportez à nouveau votre produit.....	9	6 Solutions recommandées aux problèmes	21
Avant de faire fonctionner votre réfrigérateur	10		
Branchement électrique.....	10		
Mise au rebut de l'emballage	10		
Mise au rebut de votre ancien réfrigérateur	11		
Disposition et Installation	11		
Réglage de la stabilité au sol.....	11		
Réglage du jeu entre les portes supérieures.....	12		

1 Votre réfrigérateur



A- Compartiment réfrigérateur

B- Compartiment congélateur

C- Flexi Zone

1- Balconnets de la porte du compartiment de réfrigération
2- Clayettes en verre du compartiment de réfrigération

3- Couvercle du diffuseur

4- Lentilles d'illumination

5- Section centrale modulable

6- Compartiment Zone fraîche

7- Bac à légumes

8- Réservoir d'eau

9- Clayette range-bouteilles

10- Distributeur de glaçons

11- Compartiments congélateur

12 - Couvercle de l'étagère à Beurre et Fromages

13- Etagère à Beurre et Fromages

14- Range-bouteilles

15- Compartiments de rangement

16- Compartiment produits laitiers

17- Fresh congélateur tiroir

i Les illustrations présentées dans cette notice d'utilisation sont schématiques et peuvent ne pas correspondre exactement à votre produit. Si des pièces présentées ne sont pas comprises dans le produit que vous avez acheté, elles sont valables pour d'autres modèles.

2 Précautions importantes pour votre sécurité

Veillez examiner les informations suivantes : Le non respect de ces consignes peut entraîner des blessures ou dommages matériels. Sinon, tout engagement lié à la garantie et à la fiabilité du produit devient invalide.

La durée de vie du produit que vous avez acheté est de 10 ans. Il s'agit ici de la période au cours de laquelle vous devez conserver les pièces de rechange nécessaires à son fonctionnement.

Utilisation prévue

Ce produit est prévu pour une utilisation

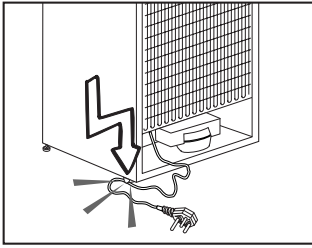
- en intérieur et dans des zones fermées telles que les maisons ;
 - dans les environnements de travail fermés, tels que les magasins et les bureaux ;
 - dans les lieux d'hébergement fermés, tels que les fermes, hôtels, pensions.
- Cet appareil ne doit pas être utilisé en extérieur.

Sécurité générale

- Avant de vous débarrasser de votre appareil, veuillez consulter les autorités locales ou votre revendeur pour connaître le mode opératoire et les organismes de collecte agréés.
- Consultez le service après-vente agréé concernant toutes questions ou problèmes relatifs au réfrigérateur. N'intervenez pas ou ne laissez personne intervenir sur le réfrigérateur sans le communiquer au service après-vente agréé.

- Pour les produits équipés d'un compartiment congélateur : ne mangez pas de cônes de crème glacée ou des glaçons immédiatement après les avoir sortis du compartiment de congélation ! (Cela pourrait provoquer des engelures dans votre bouche).
- Pour les produits équipés d'un compartiment congélateur : ne placez pas de boissons en bouteille ou en cannette dans le compartiment de congélation. Cela peut entraîner leur éclatement.
- Ne touchez pas des produits congelés avec les mains, ils pourraient se coller à celles-ci.
- Débranchez votre réfrigérateur avant de le nettoyer ou de le dégivrer.
- La vapeur et des matériaux de nettoyage pulvérisés ne doivent jamais être utilisés pour les processus de nettoyage ou de dégivrage de votre réfrigérateur. La vapeur pourrait pénétrer dans les pièces électriques et provoquer des courts-circuits ou des électrocutions.
- Ne jamais utiliser les pièces de votre réfrigérateur telles que la porte, comme un support ou une marche.
- N'utilisez pas d'appareils électriques à l'intérieur du réfrigérateur.
- N'endommagez pas les pièces où circule le liquide réfrigérant avec des outils de forage ou coupants. Le liquide réfrigérant qui pourrait s'échapper si les canalisations de gaz de l'évaporateur, les rallonges de tuyau ou les revêtements de surface étaient percés, peut irriter la peau et provoquer des blessures aux yeux.
- Ne pas couvrir ou obstruer les orifices de ventilation du réfrigérateur.

- Les appareils électriques peuvent être réparés seulement par des personnes autorisées. Les réparations réalisées par des personnes ne présentant pas les compétences requises peuvent présenter un risque pour l'utilisateur.
- En cas de dysfonctionnement ou lors d'opérations d'entretien ou de réparation, débranchez l'alimentation électrique du réfrigérateur soit en désactivant le fusible correspondant, soit en débranchant l'appareil.
- Ne tirez pas sur le câble lorsque vous débranchez la prise.
- Placez les boissons alcoolisées verticalement, dans des récipients convenablement fermés.
- Ne conservez jamais des aérosols contenant des substances inflammables et explosives dans le réfrigérateur.
- N'utilisez pas d'outils mécaniques ou autres dispositifs pour accélérer le processus de décongélation autres que ceux qui sont recommandés par le fabricant.
- Ce produit n'est pas conçu pour être utilisé par des personnes (enfants compris) souffrant de déficience physique, sensorielle, mentale, ou inexpérimentées, à moins d'avoir obtenu une autorisation auprès des personnes responsables de leur sécurité.
- Ne faites pas fonctionner un réfrigérateur endommagé. Consultez le service agréé en cas de problème.
- La sécurité électrique du réfrigérateur n'est assurée que si le système de mise à la terre de votre domicile est conforme aux normes en vigueur.
- L'exposition du produit à la pluie, la neige, au soleil ou au vent présente des risques concernant la sécurité électrique.
- Contactez le service agréé quand un câble d'alimentation est endommagé pour éviter tout danger.
- Ne branchez jamais le réfrigérateur à la prise murale au cours de l'installation. Vous vous exposeriez à un risque de mort ou à de blessures graves.
- Ce réfrigérateur est conçu seulement pour conserver des aliments. Par conséquent, il ne doit pas être utilisé à d'autres fins.
- L'étiquette avec les caractéristiques techniques est située sur le mur gauche à l'intérieur du réfrigérateur.
- Ne branchez jamais votre réfrigérateur à des systèmes d'économie d'énergie, cela peut l'endommager.
- S'il y a une lumière bleue sur le réfrigérateur, ne la regardez pas avec des outils optiques.
- Pour les réfrigérateurs contrôlés manuellement, attendez au moins 5 minutes pour allumer le réfrigérateur après une coupure de courant.
- Si cet appareil venait à changer de propriétaire, n'oubliez pas de remettre la présente notice d'utilisation au nouveau bénéficiaire.
- Evitez d'endommager le câble d'alimentation quand vous transportez le réfrigérateur. Tordre le câble peut entraîner un incendie. Ne placez jamais d'objets lourds sur le câble d'alimentation. Évitez de toucher à la prise avec des mains mouillées au moment de brancher l'appareil.



- Évitez de brancher le réfrigérateur lorsque la prise de courant électrique a lâché.
 - Pour des raisons d'ordre sécuritaire, évitez de vaporiser directement de l'eau sur les parties externes et internes du réfrigérateur.
 - Ne pulvérisiez pas de substances contenant des gaz inflammables comme du propane près du réfrigérateur pour éviter tout risque d'incendie et d'explosion.
 - Ne placez jamais de récipients pleins d'eau en haut du réfrigérateur, ils pourraient causer des chocs électriques ou incendie.
 - Ne surchargez pas votre réfrigérateur avec des quantités de nourriture excessives. S'il est surchargé, les aliments peuvent tomber, vous blesser et endommager le réfrigérateur quand vous ouvrez la porte. Ne placez jamais d'objets au-dessus du réfrigérateur, ils pourraient tomber quand vous ouvrez ou fermez la porte du réfrigérateur.
 - Les produits qui nécessitent un contrôle de température précis (vaccin, médicament sensible à la chaleur, matériels scientifiques, etc.) ne doivent pas être conservés dans le réfrigérateur.
- Si le réfrigérateur n'est pas utilisé pendant longtemps, il doit être débranché. Un problème avec le câble d'alimentation pourrait causer un incendie.
 - Le bout de la prise électrique doit être nettoyé régulièrement, sinon il peut provoquer un incendie.
 - Le bout de la prise électrique doit être nettoyé régulièrement à l'aide d'un chiffon sec, sinon il peut provoquer un incendie.
 - Le réfrigérateur peut bouger si ses pieds réglables ne sont pas bien fixés sur le sol. Bien fixer les pieds réglables sur le sol peut empêcher le réfrigérateur de bouger.
 - Quand vous transportez le réfrigérateur, ne le tenez pas par la poignée de la porte. Cela peut le casser.
 - Quand vous devez placer votre produit près d'un autre réfrigérateur ou congélateur, la distance entre les appareils doit être d'au moins 8 cm. Sinon, les murs adjacents peuvent être humidifiés.

Pour les appareils dotés d'une fontaine à eau ;

La pression de l'alimentation en eau doit être au minimum de 1 bar. La pression de l'alimentation en eau doit être au maximum de 8 bars.

- Utilisez uniquement de l'eau potable.

Sécurité enfants

- Si la porte a un verrouillage, la clé doit rester hors de portée des enfants.
- Les enfants doivent être surveillés et empêchés de s'amuser avec le produit.

Avertissement HCA

Si le système de refroidissement de votre appareil contient R600a:

Ce gaz est inflammable. Par conséquent, veuillez prendre garde à ne pas endommager le système de refroidissement et les tuyauteries lors de son utilisation ou de son transport. En cas de dommages, éloignez votre produit de toute source potentielle de flammes susceptible de provoquer l'incendie de l'appareil. De même, placez le produit dans une pièce aérée.

Ne tenez pas compte de cet avertissement si le système de refroidissement de votre appareil contient R134a.

Le type de gaz utilisé dans l'appareil est mentionné sur la plaque signalétique située sur le mur gauche à l'intérieur du réfrigérateur.

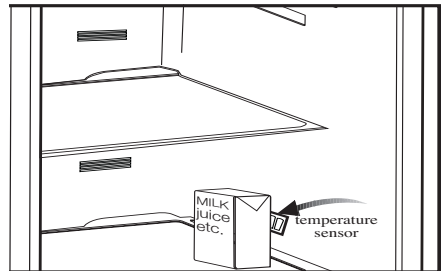
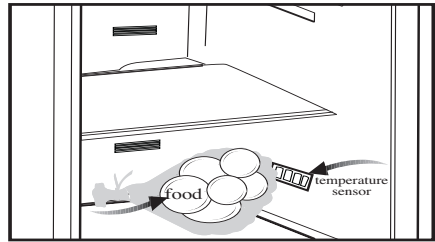
Ne jetez jamais l'appareil au feu pour vous en débarrasser.

Mesures d'économie d'énergie

- Ne laissez pas les portes du réfrigérateur ouvertes pendant une durée prolongée.
- N'introduisez pas de denrées ou de boissons chaudes dans le réfrigérateur.
- Ne surchargez pas le réfrigérateur pour ne pas obstruer pas la circulation d'air à l'intérieur.
- N'installez pas le réfrigérateur à la lumière directe du soleil ou près d'appareil émettant de la chaleur tels qu'un four, un lave-vaisselle ou un radiateur.
- Veillez à conserver vos denrées dans des récipients fermés.
- Pour les produits équipés d'un compartiment congélateur : vous pouvez conserver une quantité maximale d'aliments dans le congélateur quand vous enlevez l'étagère ou le tiroir du congélateur. La consommation d'énergie précisée pour votre réfrigérateur a été déterminée en enlevant l'étagère ou le tiroir du congélateur et avec la charge maximale. Il n'y a aucun risque à utiliser une étagère ou un tiroir en fonction des formes et tailles des denrées à congeler.
- La décongélation des aliments dans le compartiment réfrigérateur permet de faire des économies d'énergie et de préserver la qualité des aliments.

Recommandations pour le compartiment produits frais *EN OPTION

- Ne laissez aucun aliment entrer en contact avec le capteur de température dans le compartiment produits frais. Afin de conserver le compartiment produits frais à la température de conservation idéale, le capteur ne doit pas être encombré par des aliments.
- Ne placez pas de denrées chaudes dans votre appareil.



3 Installation

⚠ Veuillez noter que le fabricant ne pourra être tenu responsable si les informations fournies dans cette notice d'utilisation ne sont pas respectées.

Préparation

- Votre réfrigérateur doit être installé à au moins 30 cm des sources de chaleur telles que les plaques de cuisson, les fours, appareils de chauffage ou cuisinières, et à au moins 5 cm des fours électriques. De même, il ne doit pas être exposé à la lumière directe du soleil.
 - La température ambiante de la pièce où vous installez le réfrigérateur doit être d'au moins 10°C. Faire fonctionner l'appareil sous des températures inférieures n'est pas recommandé et pourrait nuire à son efficacité.
 - Veuillez vous assurer que l'intérieur de votre appareil est soigneusement nettoyé.
 - Si deux réfrigérateurs sont installés côte à côte, ils doivent être séparés par au moins 2 cm.
 - Lorsque vous faites fonctionner le réfrigérateur pour la première fois, assurez-vous de suivre les instructions suivantes pendant les six premières heures.
 - La porte ne doit pas être ouverte fréquemment.
 - Le réfrigérateur doit fonctionner à vide, sans denrées à l'intérieur.
 - Ne débranchez pas le réfrigérateur.
- Si une panne de courant se produit, veuillez vous reporter aux avertissements dans la section « Solutions recommandées aux problèmes ».

- L'emballage et les matériaux de protection d'emballage doivent être conservés pour les éventuels transports ou déplacements à venir.

Points à prendre en compte lorsque vous transportez à nouveau votre produit.

1. Le réfrigérateur doit être vidé et nettoyé avant tout transport.
2. Les clayettes, accessoires, bac à légumes, etc. de votre réfrigérateur doivent être fixés solidement avec de la bande adhésive avant de remballer l'appareil, pour le protéger en cas de chocs.
3. L'emballage doit être fixé avec une bande adhésive forte et des cordes solides, et les normes de transport indiquées sur l'emballage doivent être appliquées.

Gardez à l'esprit les points suivants...

Chaque matériau recyclé est une participation indispensable à la préservation de la nature et conservation de nos ressources nationales.

Si vous souhaitez contribuer à recycler les matériaux d'emballage, vous pouvez obtenir des informations supplémentaires auprès des organismes environnementaux ou des autorités locales.

La classe climatique de votre appareil est indiquée sur la plaque signalétique située à l'intérieur de l'appareil. Elle stipule les températures ambiantes de fonctionnement appropriées comme suit.

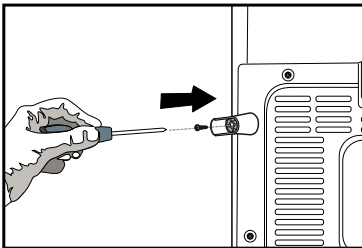
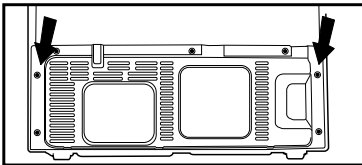
Classe climatique Températures ambiantes

SN.....	+10 °C à 32 °C
N.....	+16 °C à 32 °C
ST.....	+18 °C à 38 °C
T.....	+18 °C à 43 °C
SN-ST.....	+10 °C à 38 °C
SN-T.....	+10 °C à 43 °C

Avant de faire fonctionner votre réfrigérateur

Avant de commencer à faire fonctionner votre réfrigérateur, vérifiez les points suivants :

1. L'intérieur du réfrigérateur est sec et l'air peut circuler librement à l'arrière?
2. Insérez les 2 cales en plastique sur la ventilation arrière, tel qu'illustré dans la figure suivante. Dévissez les vis présentes et vissez les vis fournies avec la poche des cales. Les cales en plastique maintiendront la distance nécessaire entre votre réfrigérateur et le mur pour permettre une bonne



circulation de l'air.

3. Nettoyez l'intérieur du réfrigérateur tel qu'indiqué dans la section « Entretien et nettoyage ».
4. Branchez le réfrigérateur dans la prise murale. Lorsque la porte est ouverte, l'éclairage intérieur correspondant s'allumera.
5. Vous remarquerez un bruit lorsque le compresseur se met en marche. Le liquide et les gaz intégrés au système du réfrigérateur peuvent également faire du bruit, que le compresseur soit en marche ou non. Ceci est tout à fait normal.

6. Les parties antérieures du réfrigérateur peuvent chauffer. Ce phénomène est normal. Ces zones doivent en principe être chaudes pour éviter tout risque de condensation.

Branchement électrique

Branchez votre réfrigérateur à une prise de mise à la terre protégée par un fusible ayant une capacité appropriée.

Important :

- Le branchement doit être conforme aux normes en vigueur sur le territoire national.
 - La fiche de câble d'alimentation doit être facilement accessible après installation.
 - La tension et la protection du fusible autorisées sont spécifiées dans la section « Caractéristiques techniques ».
 - La tension spécifiée doit être égale à votre tension de secteur.
 - Les rallonges et prises multivoies ne doivent pas être utilisés pour brancher l'appareil.
- ⚠ Un câble d'alimentation endommagé doit être remplacé par un électricien qualifié.
- ⚠ L'appareil ne doit pas être mis en service avant d'être réparé ! Un risque de choc électrique existe!

Mise au rebut de l'emballage

Les matériaux d'emballage peuvent être dangereux pour les enfants. Tenez les matériaux d'emballage hors de portée des enfants ou débarrassez-vous-en conformément aux consignes sur les déchets. Ne les jetez pas aux côtés des ordures ménagères ordinaires.

L'emballage de votre appareil est produit à partir des matériaux recyclables.

Mise au rebut de votre ancien réfrigérateur

Débarrassez-vous de votre ancien réfrigérateur sans nuire à l'environnement.

- Vous pouvez consulter le service après-vente agréé ou le centre chargé de la mise au rebut dans votre municipalité pour en savoir plus sur la mise au rebut de votre produit.

Avant de procéder à la mise au rebut de votre machine, coupez la prise électrique et, le cas échéant, tout verrouillage susceptible de se trouver sur la porte. Rendez-les inopérants afin de ne pas exposer les enfants à d'éventuels dangers.

Disposition et Installation

Attention: Ne branchez jamais le réfrigérateur à la prise murale au cours de l'installation. Vous vous exposeriez à un risque de mort ou à de blessures graves.

Si la porte d'entrée de la pièce où sera installé le réfrigérateur n'est pas assez large pour laisser passer le réfrigérateur, appelez alors le service après-vente pour faire retirer les portes du réfrigérateur et le faire passer latéralement.

1. Installez le réfrigérateur dans un emplacement qui permette une utilisation pratique.
2. Maintenez le réfrigérateur éloigné de toutes sources de chaleur, des endroits humides et de la lumière directe du soleil.
3. Une ventilation d'air autour du réfrigérateur doit être aménagée pour

obtenir un fonctionnement efficace. Si le réfrigérateur est placé dans un enfoncement du mur, il doit y avoir un espace d'au moins 5 cm avec le plafond et d'au moins 5 cm avec le mur.

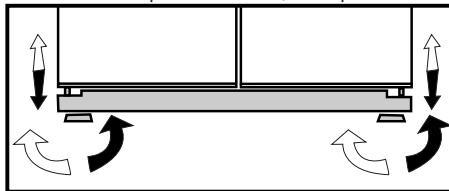
Si le sol est couvert de moquette, votre produit doit être surélevé à 2,5 cm du sol.

4. Placez le réfrigérateur sur un a de surface plane afin d'éviter les à-coups.
5. N'exposez pas le réfrigérateur à des températures ambiantes inférieures à 10°C.

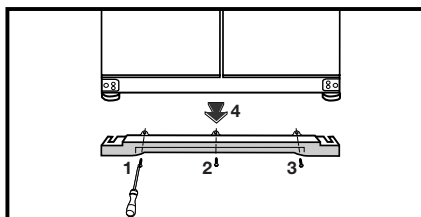
Réglage de la stabilité au sol

Si le réfrigérateur n'est pas stable.

- 1- Le cache de ventilation est retiré en enlevant les vis, tel qu'illustré sur le schéma avant la procédure. Vous pouvez équilibrer le réfrigérateur en tournant les pieds avant, tel qu'illustré

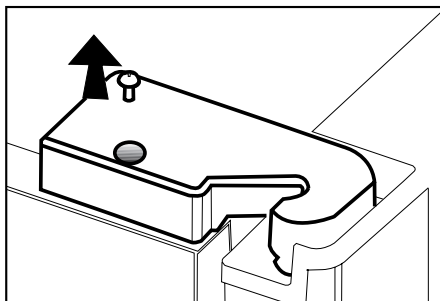
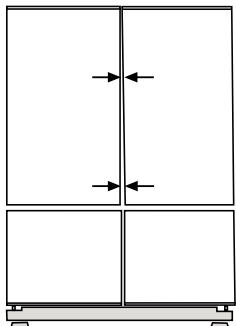


dans le schéma. Le côté où se trouve le pied s'abaisse lorsque vous tournez



dans le sens de la flèche noire, et s'élève lorsque vous tournez dans le sens opposé. Si vous vous faites aider par quelqu'un pour légèrement soulever le réfrigérateur, l'opération s'en trouvera simplifiée.

2. Après avoir réalisé la stabilisation, installez le cache de ventilation et fixez les vis fournies.

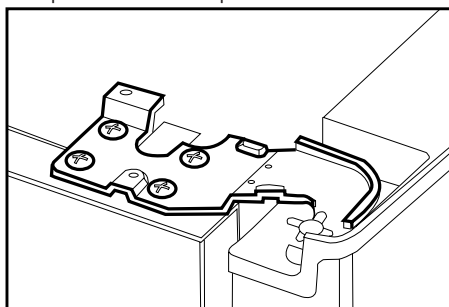


3. Retirez les deux vis de fixation du cache de ventilation inférieur à l'aide d'un tournevis Philips.

Réglage du jeu entre les portes supérieures

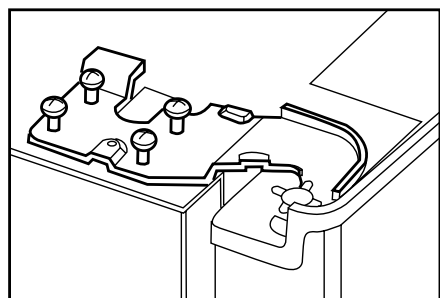
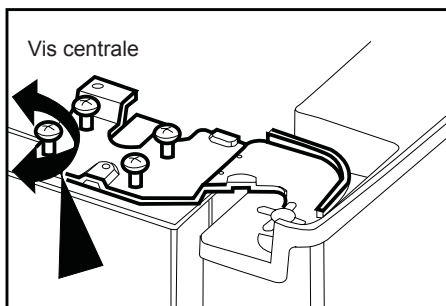
• Vous pouvez régler le jeu entre les portes du compartiment de

- A l'aide d'un tournevis, retirez la vis du cache de la charnière supérieure de la porte que vous souhaitez régler.
- Ajustez la porte à votre gré en desserrant les vis.

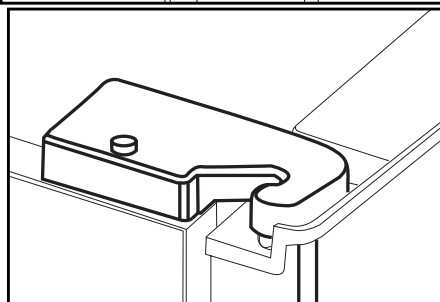


réfrigération comme illustré sur les schémas.

Les étagères de la porte doivent être



vides pour effectuer le réglage de la hauteur.

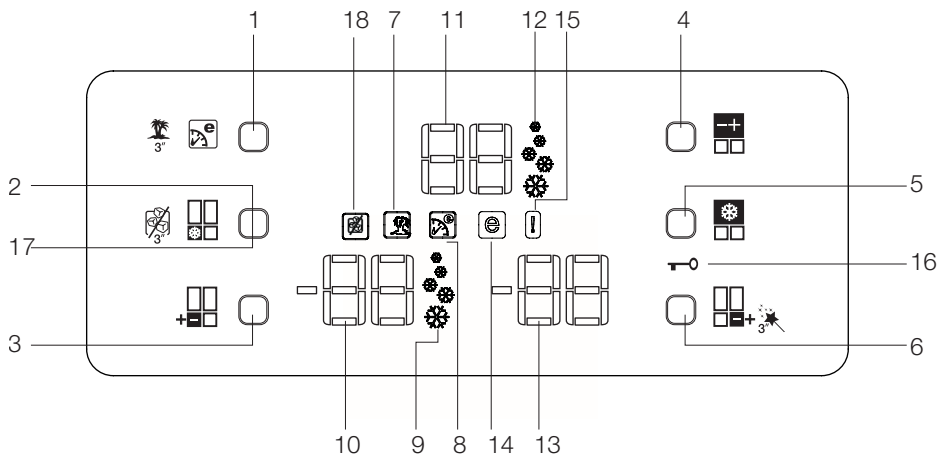


- Fixez la porte que vous avez réglée en serrant les vis sans modifier la position de la porte.
- Remplacez le cache de la charnière et fixez la vis.

4 Utilisation de votre réfrigérateur

Bandeau indicateur

Le bandeau indicateur à commande tactile vous permet de régler la température sans ouvrir la porte de votre réfrigérateur. Vous n'avez qu'à appuyer sur le bouton correspondant avec un doigt pour régler la température.



1. Bouton Eco Extra / Vacances
2. Bouton de congélation rapide
3. Bouton de réglage de température du compartiment de congélation
4. Bouton de réglage de température du compartiment de réfrigération
5. Bouton de refroidissement rapide
6. Bouton de réglage de température du compartiment Flexi Zone
7. Indicateur de Fonction Vacances
8. Indicateur de fonction Eco Extra
9. Indicateur de fonction de congélation rapide
10. Indicateur de température du compartiment de congélation
11. Indicateur de température du compartiment de réfrigération
12. Indicateur de fonction de refroidissement rapide
13. Indicateur de température du compartiment Flexi Zone
14. Indicateur mode Economie
15. Indicateur d'état de dysfonctionnement
16. Voyant verrouillage des commandes
17. Indicateur d'annulation de glace
18. Bouton d'annulation de glace

ⓘ Tämän ohjekirjan kuvitus on kaavakuviin perustuvaa eikä se ehkä vastaa täysin todellista tuotetta Jos jokin osa puuttuu ostanastasi tuotteesta, kuvaus koskee muita malleja.

1. Bouton Eco Extra / Vacances

Appuyez brièvement sur ce bouton pour activer la fonction Eco Extra. Appuyez sur ce bouton pendant 3 secondes pour activer la fonction Vacances. Appuyez de nouveau sur ce bouton pour désactiver la fonction sélectionnée.

2. Bouton de congélation rapide

Appuyez brièvement sur ce bouton pour activer la fonction Congélation rapide. Appuyez de nouveau sur ce bouton pour désactiver la fonction sélectionnée.

3. Bouton de réglage de température du compartiment de congélation

Appuyez sur ce bouton pour régler la température du compartiment de congélation à -18, -20, -22, -24, -18... respectivement. Appuyez sur ce bouton pour définir la température souhaitée pour le compartiment du congélateur.

4. Bouton de réglage de température du compartiment de réfrigération

Appuyez sur ce bouton pour régler la température du compartiment réfrigérateur à 8, 6, 4, 2, 8... respectivement. Appuyez sur ce bouton pour définir la température souhaitée pour le compartiment du réfrigérateur.

5. Bouton de refroidissement rapide

Appuyez brièvement sur ce bouton pour activer la fonction de

Refroidissement rapide. Appuyez de nouveau sur ce bouton pour désactiver la fonction sélectionnée.

6. Bouton de réglage de température du compartiment Flexi Zone

Vous pouvez régler le compartiment Flexi Zone comme compartiment de réfrigérateur ou de congélateur. Appuyez sur ce bouton et maintenez-le enfoncé pendant longtemps (3 secondes) pour régler le compartiment Flexi Zone comme compartiment de réfrigérateur ou de congélateur. Ce compartiment est réglé comme compartiment de congélation en usine.

Si le compartiment Flexi Zone est réglé comme congélateur, sa température changera de -18 à -20, -22, -24, -18... respectivement à chaque pression sur ce bouton. Si le compartiment Flexi Zone est réglé comme réfrigérateur, sa température changera de 10 à 8, 6, 4, 2, 0, -6... respectivement à chaque pression sur ce bouton.

7. Indicateur de Fonction Vacances

Il indique que la fonction vacances est en marche. Si cette fonction est active, "- -" s'affiche sur l'indicateur du compartiment du réfrigérateur, et aucun refroidissement n'est réalisé dans le compartiment du réfrigérateur. Les autres compartiments seront refroidis en fonction de la température définie pour leur fonctionnement.

Appuyez sur le bouton correspondant pour désactiver cette fonction.

8. Indicateur de fonction Eco Extra

Indique que la fonction Eco Extra est en marche. Si cette fonction est active, "votre réfrigérateur détectera automatiquement les dernières périodes d'utilisation et un refroidissement économe en énergie sera réalisé pendant ces périodes. L'indicateur d'économie est activé lorsque le refroidissement à économie d'énergie est réalisé.

Appuyez sur le bouton correspondant pour désactiver cette fonction.

9. Indicateur Fonction Congélation rapide

Indique que la fonction Congélation rapide est en marche. Utilisez cette fonction lorsque vous placez de la nourriture dans le compartiment de congélation ou lorsque vous avez besoin de glace. Lorsque cette fonction est active, votre réfrigérateur fonctionnera pendant 6 heures d'affilée.

Appuyez sur le bouton correspondant pour désactiver cette fonction.

10. Indicateur de température du compartiment de congélation

Indique le réglage de température pour le compartiment réfrigérateur.

11. Indicateur de la température du compartiment réfrigérateur

Indique le réglage de température pour le compartiment réfrigérateur.

12. Indicateur de la fonction de refroidissement rapide

Il indique que la fonction Refroidissement rapide est en marche. Utilisez cette fonction lorsque vous placez de la nourriture dans le compartiment réfrigérateur ou lorsque vous voulez refroidir rapidement vos denrées. Lorsque cette fonction est active, votre réfrigérateur fonctionnera pendant 2 heures d'affilée.

Appuyez sur le bouton correspondant pour désactiver cette fonction.

13. Indicateur de température du compartiment Flexi Zone

Indique le réglage de température pour le compartiment Flexi Zone.

14. Indicateur de mode Economie

Il indique que le réfrigérateur fonctionne en mode d'économie d'énergie. Température du compartiment de congélation Cet indicateur sera activé si la fonction est réglée sur -18 ou si le refroidissement à économie d'énergie est réalisé suite à l'activation de la fonction Eco Extra.

15. Indicateur d'état de dysfonctionnement

Si votre réfrigérateur ne refroidit pas correctement ou s'il y a un dysfonctionnement dans un capteur, cet indicateur sera activé. Lorsque cet indicateur est activé, l'indicateur de la température du compartiment de congélation affichera "E" et l'indicateur de température du compartiment du réfrigérateur affichera

des chiffres, par ex.: "1,2,3...". Ces nombres fournissent des informations concernant le dysfonctionnement au personnel de maintenance.

16. Voyant verrouillage des commandes

Utilisez cette fonction si vous souhaitez conserver les réglages de température du votre réfrigérateur. Appuyez sur le bouton Refroidissement rapide et le bouton de réglage de la température du compartiment Flexi Zone simultanément pendant longtemps (3 secondes environ) pour activer cette fonction.

Appuyez sur les boutons correspondants de nouveau pour désactiver cette fonction.

17. Bouton d'annulation de glace

Pour empêcher la formation de cristaux, appuyez sur le bouton d'annulation de glace pendant 3 secondes. Une fois l'option d'annulation de glace sélectionnée, l'eau ne sera plus envoyée dans le bac à glace. En dépit de ce phénomène, certains cristaux peuvent rester dans le bac à glace. Pour relancer le processus de formation de cristaux, vous devez appuyer sur le bouton d'annulation de glace pendant 3 secondes.

18. Indicateur d'annulation de glace

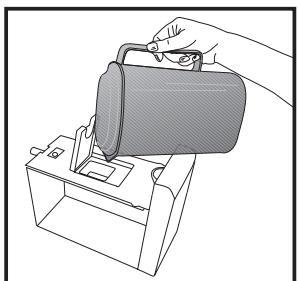
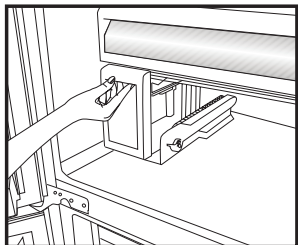
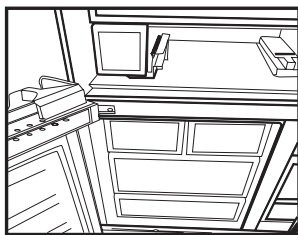
Si vous ne souhaitez pas obtenir de glace du réfrigérateur, nous vous conseillons d'utiliser cette fonction. Pour ce faire, appuyez sur le bouton d'annulation de glace pendant 3 secondes.

Alarme d'ouverture de porte :

Si l'une des portes du compartiment Réfrigérateur ou du compartiment Flexi Zone reste ouverte pendant au moins 1 minute, l'alarme d'ouverture de porte s'activera. Vous n'avez qu'à appuyer sur un bouton de l'indicateur ou fermer la porte pour éteindre l'alarme.

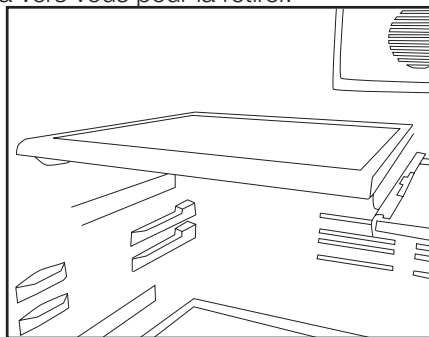
Distributeur de glaçons

Le système de distribution de glaçons automatique vous permet d'obtenir facilement de la glace avec votre réfrigérateur. Retirez le réservoir d'eau dans le compartiment de réfrigération, remplissez-le d'eau et remplacez-le pour obtenir de la glace du distributeur. Les premiers glaçons seront prêts en 2 heures dans le tiroir à glace situé dans le compartiment de congélation. Vous pouvez avoir jusqu'à 70 glaçons dans le réservoir d'eau si celui-ci est complètement rempli. Changez l'eau du réservoir si vous l'avez laissée plus de 2-3 semaines.



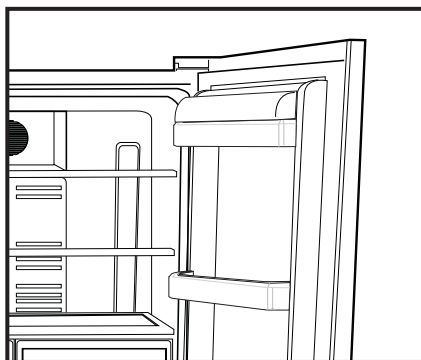
Etagères coulissantes avec fixations l'arrière

Les étagères coulissantes à fixations à l'arrière peuvent être déplacées vers l'avant ou vers l'arrière. Il est également possible de régler leur hauteur en les retirant puis en les installant plus bas ou plus haut. Soulevez légèrement l'échelle et tirez-la vers vous pour la retirer.



Section pour Beurre et Fromages

Les denrées telles que le beurre, le fromage et la margarine peuvent être rangées dans ce compartiment équipé d'un couvercle.



Casier à œufs

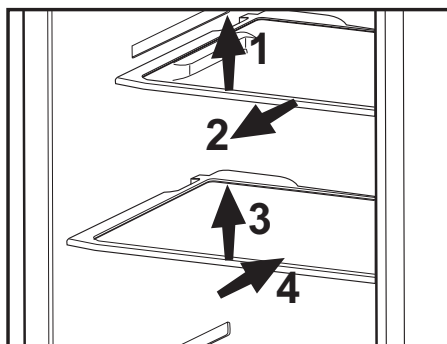
- Vous pouvez installer le support à œufs sur un balconnet de la porte ou de l'intérieur que vous souhaitez.
- Ne placez jamais le support à œufs dans le compartiment de congélation.

Etagères coulissantes

- Les étagères coulissantes peuvent être basculées légèrement en les soulevant par l'avant. Vous pouvez alors les coulisser ainsi vers l'avant et l'arrière. Lorsque vous les basculez, elles reposeront sur une butée vous permettant d'atteindre les denrées placées à l'arrière de l'étagère. Si vous tirez dessus après les avoir soulevées une fois arrivé à la seconde butée, l'étagère sera libérée.

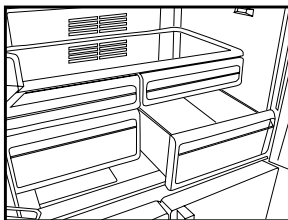
L'étagère doit être fermement maintenue par la bas pour éviter qu'elle ne bascule complètement. L'étagère est placée sur des rails sur les côtés du réfrigérateur. Vous pouvez la placer sur un niveau supérieur ou un niveau inférieur.

L'étagère doit être poussée pour revenir complètement en place.



Bac à légumes

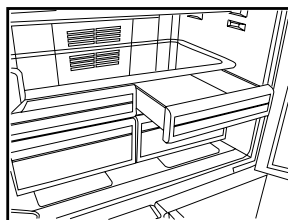
Le bac à légumes de votre réfrigérateur a été spécialement conçu pour vous aider à conserver vos denrées au frais sans que celles-ci n'aient à perdre de leur humidité. Dans cet objectif, l'air frais circule tout autour du bac à légumes.



Compartiment Zone fraîche

Les compartiments de zone fraîche vous permettent de préparer les aliments à congeler. Vous pouvez également utiliser ces compartiments si vous souhaitez conserver vos aliments à une température quelque peu inférieure à celle du compartiment de réfrigération.

Vous pouvez augmenter le volume interne de votre réfrigérateur en enlevant le compartiment amuse-gueule souhaité. Pour ce faire, tirez le compartiment vers vous ; le compartiment s'appuiera contre la butée et s'arrêtera. Ce compartiment se libère en le soulevant d'environ 1 cm et en le tirant vers vous.

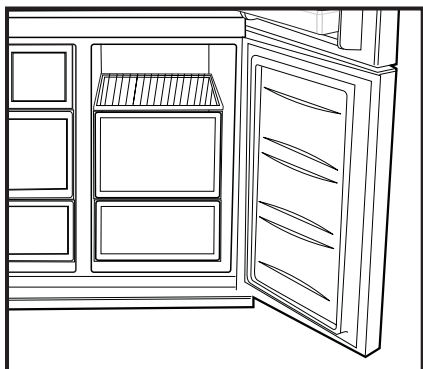


Section centrale pivotante

La section pivotante centrale est destinée à empêcher l'air froid à l'intérieur de réfrigérateur de s'échapper. Cela permet l'étanchéité étant donné que les joints de la porte appuient sur la surface de la section centrale pivotante lorsque les portes du compartiment de réfrigération sont fermées. Une autre explication à l'adoption d'une section centrale pivotante est que cela permet d'augmenter le volume net du compartiment de réfrigération. Les sections centrales standards occupent un volume inutilisable dans le réfrigérateur.

Compartiment Flexi Zone

Le compartiment de conservation Flexi Zone de votre réfrigérateur peut être utilisé dans n'importe quel mode en le réglant sur les températures du réfrigérateur (2/4/6/8 °C) ou du congélateur (-18/-20/-22/-24). Vous pouvez conserver le compartiment à la température désirée avec le Bouton de réglage de la température du compartiment de conservation

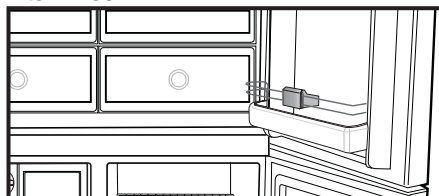


Flexi Zone. La température du compartiment de conservation Flexi Zone peut être réglée entre 0 et 10 degrés en plus des températures du compartiment du réfrigérateur et à -6 degrés en plus des températures du compartiment du congélateur. 0 degré est utilisé pour conserver les produits laitiers plus longtemps, -6 degrés est utilisé pour conserver les viandes jusqu'à 2 semaines dans un état permettant une découpe simplifiée.

i La fonction de passage à un compartiment réfrigérateur ou congélateur est possible grâce à un élément réfrigérant situé dans la section fermée (compartiment du compresseur) à l'arrière du réfrigérateur. Pendant le fonctionnement de cet élément, des bruits similaires à ceux provenant d'une horloge analogique peuvent être entendus. Ce phénomène est tout à fait normal et ne constitue nullement un dysfonctionnement.

Éclairage bleu

Les denrées conservées dans les bacs à légumes sont éclairées par une lumière bleue qui, grâce aux effets de sa longueur d'onde, permet aux fruits et légumes de continuer la photosynthèse et ainsi de conserver leur fraîcheur et leur teneur en vitamines.



5 Entretien et nettoyage

- ⚠ N'utilisez jamais d'essence, de benzène ou de matériaux similaires pour le nettoyage.
- ⚠ Nous vous recommandons de débrancher l'appareil avant de procéder au nettoyage.
- ❗ N'utilisez jamais d'ustensiles tranchants, savon, produit de nettoyage domestique, détergent et cirage pour le nettoyage.
- ❗ Utilisez de l'eau tiède pour nettoyer la carrosserie du réfrigérateur et séchez-la soigneusement à l'aide d'un chiffon.
- ❗ Utilisez un chiffon humide imbibé d'une solution composée d'une cuillère à café de bicarbonate de soude pour un demi litre d'eau pour nettoyer l'intérieur et séchez soigneusement.
- ⚠ Prenez soin de ne pas faire couler d'eau dans le logement de la lampe et dans d'autres éléments électriques.
- ⚠ En cas de non utilisation de votre réfrigérateur pendant une période prolongée, débranchez le câble d'alimentation, sortez toutes les denrées, nettoyez-le et laissez la porte entrouverte.
- ❗ Inspectez les joints de porte régulièrement pour vérifier qu'ils sont propres et qu'il n'y a pas de particules de nourriture.
- ❗ Pour retirer les balconnets de portes, sortez tout son contenu puis poussez simplement le balconnet vers le haut à partir de la base.

Protection des surfaces en plastique.

- Ne placez pas d'huiles ou de plats huileux dans le réfrigérateur dans des récipients non fermés, car les graisses peuvent endommager les surfaces en plastique du réfrigérateur. Si vous versez ou éclaboussez de l'huile sur les surfaces en plastique, nettoyez et lavez les parties souillées avec de l'eau chaude immédiatement.

6 Solutions recommandées aux problèmes

Veillez vérifier la liste suivante avant d'appeler le service après-vente. Cela peut vous faire économiser du temps et de l'argent. Cette liste regroupe les problèmes les plus fréquents ne provenant pas d'un défaut de fabrication ou d'utilisation du matériel. Il se peut que certaines des fonctions décrites ne soient pas présentes sur votre produit.

Le réfrigérateur ne fonctionne pas

- Le réfrigérateur est-il correctement branché ? Insérez la prise dans la prise murale.
- Est-ce que le fusible ou la douille de raccord du réfrigérateur sont connectés ou est-ce que le fusible principal a sauté ? Vérifiez le fusible.

Condensation sur la paroi intérieure du compartiment réfrigérateur. (MULTI ZONE, COOL CONTROL et FLEXI ZONE)

- Température ambiante très basse. Ouvertures et fermetures fréquentes de la porte. Humidité ambiante très élevée. Conservation de denrées liquides dans des récipients ouverts. Porte laissée entrouverte.
- Réglez le thermostat à un niveau de froid supérieur.
- Réduisez les temps d'ouverture de la porte ou utilisez-la moins fréquemment.
- Couvrez les denrées dans des récipients ouverts à l'aide d'un matériau adapté.
- Essuyez la condensation à l'aide d'un tissu sec et vérifiez si elle persiste.

Le compresseur ne fonctionne pas.

- Le dispositif de protection thermique du compresseur sautera en cas de coupures soudaines du courant ou de débranchement intempestif, en effet la pression du liquide réfrigérant du système de refroidissement ne sera pas équilibrée.
- Le réfrigérateur recommencera à fonctionner normalement après 6 minutes environ. Veuillez contacter le service après-vente si le réfrigérateur ne redémarre pas après cette période.
- Le réfrigérateur est en mode de dégivrage. Cela est normal pour un réfrigérateur à dégivrage semi-automatique. Le cycle de dégivrage se déclenche régulièrement.
- Le réfrigérateur n'est pas branché à la prise. Assurez-vous que la prise est branchée correctement à la prise murale.
- Les réglages de température sont-ils corrects ? Il y a une panne de courant. Veuillez contacter votre fournisseur d'électricité.

Le réfrigérateur fonctionne fréquemment ou pendant de longues périodes.

- Votre nouveau réfrigérateur est peut être plus large que l'ancien. Ceci est tout à fait normal. Les grands réfrigérateurs fonctionnent pendant une période de temps plus longue.
- La température ambiante de la salle peut être élevée. Ce phénomène est tout à fait normal.
- Le réfrigérateur pourrait y avoir été branché tout récemment ou pourrait avoir été chargé de denrées alimentaires. Le refroidissement complet du réfrigérateur peut durer quelques heures de plus.
- D'importantes quantités de denrées chaudes ont peut être été introduites dans le réfrigérateur récemment. Les denrées chaudes provoquent un fonctionnement prolongé du réfrigérateur avant d'atteindre le niveau de température de conservation raisonnable.
- Les portes ont peut être été ouvertes fréquemment ou laissées entrouvertes pendant une durée prolongée. L'air chaud qui entre dans le réfrigérateur le fait fonctionner pendant de plus longues périodes. Ouvrez les portes moins souvent.
- La porte du réfrigérateur ou du congélateur ont peut être été laissées entrouvertes. Vérifiez que les portes sont bien fermées.
- Le réfrigérateur est réglé à une température très basse. Réglez la température du réfrigérateur à un degré supérieur et attendez jusqu'à ce que la température soit bonne.
- Le joint de la porte du réfrigérateur ou du congélateur peut être sale, déchiré, rompu ou mal en place. Nettoyez ou remplacez le joint. Tout joint endommagé/déchiré fait fonctionner le réfrigérateur pendant une période de temps plus longue afin de conserver la température actuelle.

La température du congélateur est très basse alors que celle du réfrigérateur est correcte.

- La température du congélateur est réglée à une température très basse. Réglez la température du congélateur à un degré supérieur et vérifiez.

La température du réfrigérateur est très basse alors que celle du congélateur est correcte.

- La température du réfrigérateur est réglée à une température très basse. Réglez la température du réfrigérateur à un degré supérieur et vérifiez.

Les denrées conservées dans les tiroirs du compartiment de réfrigération congèlent.

- La température du réfrigérateur est réglée à une température très basse. Réglez la température du réfrigérateur à un degré supérieur et vérifiez.

La température dans le réfrigérateur ou le congélateur est très élevée.

<ul style="list-style-type: none"> • La température du réfrigérateur est réglée à un niveau de froid très élevé. Le réglage du réfrigérateur a un effet sur la température du congélateur. Modifiez la température du réfrigérateur ou du congélateur jusqu'à ce qu'elles atteignent un niveau correct. • La porte est peut être restée ouverte. Refermez complètement la porte. • D'importantes quantités de denrées chaudes ont peut être été introduites dans le réfrigérateur récemment. Attendez que le réfrigérateur ou le congélateur atteigne la bonne température. • Le réfrigérateur y a peut être été branché récemment. Le refroidissement complet du réfrigérateur nécessite du temps à cause de sa taille.
Un bruit similaire au son émis par l'aiguille des secondes d'une horloge analogique provient du réfrigérateur.
<ul style="list-style-type: none"> • Ce bruit provient de la valve solénoïde du réfrigérateur. La valve solénoïde fonctionne afin d'assurer le passage du réfrigérant à travers le compartiment qui peut être ajusté aux températures de refroidissement et de congélation, et dans le but d'effectuer les fonctions de refroidissement. Ce phénomène est tout à fait normal et ne constitue nullement un dysfonctionnement.
Le niveau sonore augmente lorsque le réfrigérateur est en marche.
<ul style="list-style-type: none"> • Les caractéristiques de performance du réfrigérateur peuvent changer en fonction des variations de la température ambiante. Cela est normal et n'est pas un défaut.
Vibrations ou bruits
<ul style="list-style-type: none"> • Le sol n'est pas plat ou n'est pas solide. Le réfrigérateur oscille lorsqu'on le bouge lentement. Assurez-vous que le sol est plat, solide et qu'il peut supporter le réfrigérateur. • Les bruits peuvent être produits par les objets placés sur le réfrigérateur. De tels objets doivent être enlevés du dessus du réfrigérateur.
Le réfrigérateur produit des bruits semblables à de l'eau qui coule ou à la pulvérisation d'un liquide.
<ul style="list-style-type: none"> • Des écoulements de gaz et de liquides se produisent dans le réfrigérateur, de par ses principes de fonctionnement. Cela est normal et n'est pas un défaut.
Le réfrigérateur produit des bruits semblables à du vent.
<ul style="list-style-type: none"> • Des activateurs d'air (ventilateurs) sont utilisés pour permettre au réfrigérateur de fonctionner efficacement. Cela est normal et n'est pas un défaut.
Condensation sur les parois intérieures du réfrigérateur.

<ul style="list-style-type: none"> • Un temps chaud et humide augmente la formation de givre et de condensation. Cela est normal et n'est pas un défaut. • Les portes sont entrouvertes. Assurez-vous que les portes sont complètement fermées. • Les portes ont peut être été ouvertes très fréquemment ou ont peut être été laissées ouvertes pendant une durée prolongée. Ouvrez la porte moins souvent.
De l'humidité est présente à l'extérieur ou entre les portes du réfrigérateur.
<ul style="list-style-type: none"> • Le temps est peut être humide. Ceci est tout à fait normal avec un temps humide. Lorsque l'humidité est faible, la condensation disparaîtra.
Présence d'une mauvaise odeur dans le réfrigérateur.
<ul style="list-style-type: none"> • L'intérieur du réfrigérateur doit être nettoyé. Nettoyez l'intérieur du réfrigérateur avec une éponge, de l'eau ou de l'eau gazeuse chaude. • Certains récipients ou matériaux d'emballage peuvent provoquer ces odeurs. Utilisez un autre récipient ou changez de marque de matériau d'emballage.
La (les) porte(s) ne se ferme(nt) pas.
<ul style="list-style-type: none"> • Des récipients peuvent empêcher la fermeture de la porte. Remplacez les emballages qui obstruent la porte. • Le réfrigérateur n'est probablement pas complètement vertical et il peut balancer lorsqu'on le bouge légèrement. Réglez les vis de levage. • Le sol n'est pas plat ou solide. Assurez-vous que le sol est plat et qu'il peut supporter le réfrigérateur.
Les bacs à légumes sont coincés.
<ul style="list-style-type: none"> • Il se peut que les denrées touchent le plafond du tiroir. Disposez à nouveau les denrées dans le tiroir.

Læs venligst denne vejledning først!

Kære kunde

Vi håber, at dit produkt, der er produceret i moderne produktionsanlæg og kontrolleret under de grundigste kvalitetskontrolprocedurer, vil give yde dig en effektiv service.

Derfor anbefaler vi dig grundigt at læse hele vejledningen for produktet, inden du tager det i anvendelse, og gemmer det tilgængeligt for fremtidige opslag.



Denne vejledning

- Vil hjælpe dig med at bruge køleskabet hurtigt og sikkert.
- Læs denne vejledning, inden du installerer og betjener produktet.
- Følg instruktionerne, især sikkerhedsinstruktionerne.
- Opbevar denne manual på et nemt tilgængeligt sted, da du kan få brug for den senere.
- Derudover skal du også læse de andre dokumenter, der er fulgt med produktet.

Bemærk at denne vejledningen også kan være gældende for andre modeller.

Symboler og deres beskrivelse

Denne brugsvejledning indeholder følgende symboler:

-  Vigtige informationer eller brugbare tips.
-  Advarsel mod farlige forhold for liv og ejendom.
-  Advarsel mod strømspænding.

Genvinding



Dette produkt er udstyret med symbolet for selektiv sortering af affald fra elektrisk og elektronisk udstyr (WEEE).

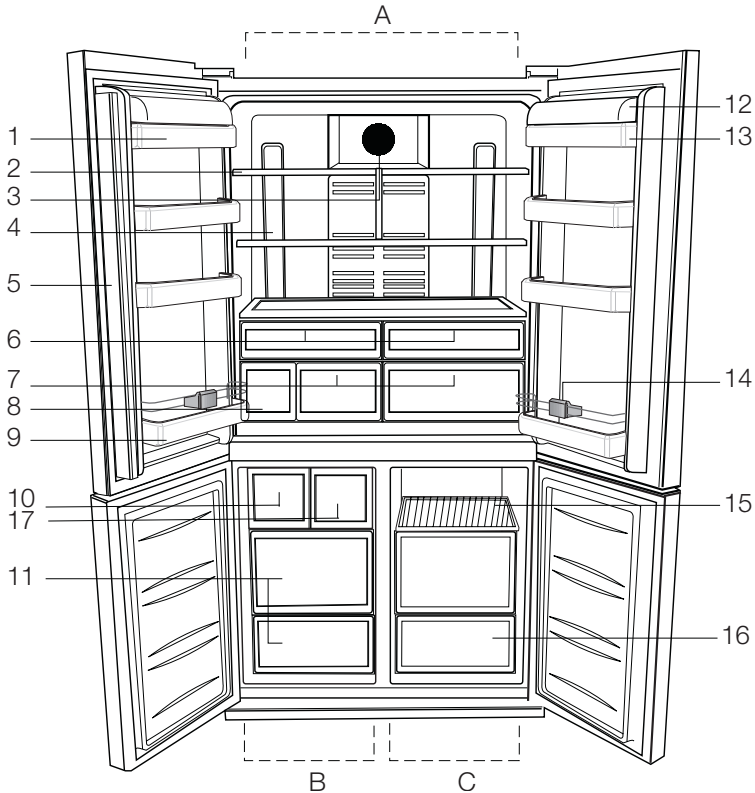
Det betyder, at dette produkt skal håndteres i henhold til det Europæiske Direktiv 2002/96/EC for at blive genanvendt eller afmonteret for at minimere påvirkningen af miljøet. For yderligere information bedes du kontakte de lokale myndigheder.

Elektroniske produkter, der ikke er omfattet af den selektive sorteringsproces, er potentielt farlige for miljøet og menneskets sundhed pga. af tilstedeværelsen af farlige substanser.

INDHOLD

1 Køleskabet	3	4 Anvendelse af køleskabet	12
2 Vigtige sikkerhedsadvarsler	4	Indikatorpanel.....	12
Tilsigtet brug.....	4	Alarm for åben dør:	14
For produkter med en vanddispenser;6		Hylde til smør og ost	16
Børnesikkerhed	6	Glidehylder	17
HCA Advarsel.....	6	Æggebakke	17
Energibesparende foranstaltninger.....	7	Grøntsagsrum	17
Anbefalinger til ferskvare-rummet.....	7	Køleafdeling.....	17
		Drejelig midtersektion	18
		Flexizone opbevaringsrum	18
		Blåt lys	18
3 Installation	8	5 Vedligeholdelse og rengøring	19
Tilberedning.....	8	Beskyttelse af plasticoverflader	19
Punkter, der skal tages hensyn til, hvis køleskabet skal transporteres igen.....	8	6 Anbefalede løsninger på problemerne	20
Inden køleskabet betjenes	9		
Elektrisk tilslutning	9		
Bortskaffelse af emballagen	9		
Bortskaffelse af det gamle køleskab... ..	9		
Placering og installation	10		
Justering af balancen på gulvet	10		
Justering af afstanden mellem øverste låge	11		

1 Køleskabet



- | | |
|--|-------------------------------------|
| A- Køleskab | 8- Vandbeholder |
| B- Fryser | 9- Flaskehylde |
| C- Flexi-zone | 10- Ismaskine |
| 1- Lågehylde til køleskab | 11- Rum til dybfrost |
| 2- Rum i køleskabet med justerbare hylde | 12- Hyldeålg til smør og ost |
| 3- Sprederdæksel | 13- Hylde til smør og ost |
| 4- Belysningsglas | 14- Flaskeholder |
| 5- Drejelig midtersektion | 15- Opbevaringsrum |
| 6- Køleafdeling | 16- Flexizonerum |
| 7- Grøntsagsrum | 17- Fryseskuffe til friske madvarer |

Figures that take place in this instruction manual are schematic and may not correspond exactly with your product. If the subject parts are not included in the product you have purchased, then it is valid for other models.

2 Vigtige sikkerhedsadvarsler

Gennemgå følgende informationer. Hvis man undlader at overholde disse informationer, kan det forårsage kvæstelser eller materiel skade. Ellers vil alle garantier og løfter om driftssikkerhed blive ugyldige. Brugslevetiden for enheden, du har købt, er 10 år. Det er den periode, de reservedele bevares, der er nødvendige for, at enheden kan køre som beskrevet.

Tilsigtet brug

Dette produkt er beregnet til at blive brugt

- indendørs og i lukkede områder, som f.eks. hjem;
- i lukkede arbejdsmiljøer, som f.eks. butikker og kontorer;
- i lukkede boligområder, som f.eks. stuehuse, hoteller, pensionater.
- Dette produkt skal ikke bruges udendørs.

Generelle sikkerhedsregler

- Når du vil bortkaste/skrotte produktet, anbefaler vi, at du rådfører dig med den autoriserede service for at tilegne dig de krævede informationer samt med de autoriserede myndigheder.
- Kontakt den autoriserede forhandler for at få svar på spørgsmål og problemer omkring køleskabet. Undlad at foretage indgreb eller lade andre foretage indgreb på køleskabet uden at informere den autoriserede forhandler.
- For produkter med fryser; Undlad at spise vaffelis eller isterninger lige efter, du har taget dem ud af fryseren! (Det kan forårsage forfrysninger i

munden.)

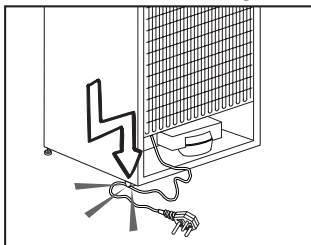
- For produkter med fryser; læg ikke flydende drikkevarer på flaske eller kande i fryseren. De kan eksplodere.
- Rør ikke frosne madvarer med hænderne, da de kan hænge fast i din hånd.
- Tag køleskabet ud af stikket inden rengøring eller afrimning.
- Damp og fordampede rengøringsmaterialer skal aldrig bruges ved rengøring og afrimning af køleskabet. Hvis det sker, kan dampen komme i kontakt med de elektriske dele og forårsage kortslutning eller elektrisk stød.
- Brug aldrig delene på køleskabet, som f.eks. lågen til at støtte dig på eller stå på.
- Brug ikke elektriske apparater inde i køleskabet.
- Undlad at beskadige de dele, hvor kølemidlet cirkulerer, med bore- eller skæreværktøjer. Kølemidlet, som kan blæse ud, når fordamperens gaskanaler, forlængerrørene eller overfladebelæggningerne punkteres, kan forårsage hudirritationer og øjenskader.
- Undlad med nogen form for materiale at tildække eller blokere ventilationshullerne på køleskabet.
- Elektrisk udstyr må kun repareres af autoriserede personer. Reparationer, der er udført af inkompetente personer, skaber en risiko for brugeren.
- I tilfælde af fejlfunktion under vedligeholdelses- eller reparationsarbejde skal køleskabets forsyningsnet afbrydes ved enten at

slukke for den relevante sikring eller ved at tage apparatets stik ud af kontakten.

- Træk ikke i ledningen, når stikket skal tages ud.
- Placer de drikkevarer, der indeholder højere alkoholprocent, stramt lukket og lodret.
- Opbevarer aldrig sprayflasker, der indeholder brændbare og eksplosive substanser, i køleskabet.
- Der må ikke anvendes mekanisk udstyr eller andre midler, ud over de af producenten anbefalede, for at fremskynde afrimningsprocessen.
- Dette produkt er ikke beregnet til at bruges af personer med fysiske handicap, føleforstyrrelser og psykiske lidelser eller personer, som ikke har modtaget instruktion (herunder børn), medmindre de er ledsaget af en person, der er ansvarlig for deres sikkerhed eller som instruerer dem i brug af produktet.
- Lad ikke et beskadiget køleskab køre. Kontakt serviceagenten, hvis du har nogen betænkeligheder.
- Der kan kun garanteres for køleskabets strømsikkerhed, hvis jordingsystemet i dit hjem opfylder standarderne.
- At udsætte produkterne for regn, sne, sol og vind er farligt hvad angår el-sikkerheden.
- Kontakt autoriseret service, hvis der er et beskadiget strømkabel, for at undgå fare.
- Sæt aldrig køleskabet ind i stikkontakten under installationen. Hvis det sker, kan der opstå risiko for dødsfald eller alvorlig skade.
- Dette køleskab er kun beregnet til at opbevare madvarer. Det bør ikke

bruges til andre formål.

- Typeskiltet med tekniske informationer er placeret på den venstre væg i køleskabet.
- Tilslut aldrig køleskabet til el-besparende systemer; de kan beskadige køleskabet.
- Hvis der er et blått lys i køleskabet, så undlad at kigge på det blå lys med optiske instrumenter.
- For manuelt betjente køleskabe skal man vente mindst 5 minutter med at starte det efter strømsvigt.
- Denne brugermanual skal afleveres til den nye ejer når det skifter ejermand.
- Undlad at beskadige strømkablet, når køleskabet transporteres. Det kan forårsage brand at bøje kablet. Placer aldrig tunge genstande på strømkablet. Rør ikke ved stikket med våde hænder, når du tager stikket ud.



- Tilslut ikke køleskabet hvis stikkontakten er løs.
- Vand bør ikke blive sprøjet direkte på indre og ydre dele af produktet af sikkerhedsmæssige årsager.
- Undlad at sprøjte substanser, der indeholder brændbare gasser, som f.eks. propangas, nær ved køleskabet for at undgå risiko for brand og eksplosion.
- Placer aldrig beholdere, der er fyldt med vand, oven på køleskabet, da det kan forårsage elektrisk stød eller brand.

- Overfyld ikke køleskabet med overdrevne mængder mad. Hvis det er overfyldt, kan maden falde ned og beskadige dig og beskadige køleskabet, når lågen åbnes. Placer aldrig genstande oven på køleskabet; disse genstande kan falde ned, når du åbner eller lukker køleskabslågen.
- Vacciner, varmekølsomme medikamenter, videnskabelige materialer osv. bør ikke opbevares i køleskabet, da de har brug for præcis temperatur.
- Køleskabet skal tages ud af stikkontakten, hvis det ikke skal bruges i længere tid. Et evt. problem i strømkablet kan forårsage brand.
- Spidsen på stikket bør rengøres jævnlgt; ellers kan den forårsage brand.
- Spidsen af stikket bør rengøres jævnlgt med en tør klud, da det ellers kan forårsage brand.
- Køleskabet kan flytte sig, hvis de justerbare ben ikke er sikret godt nok på gulvet. Rigtigt sikrede justerbare ben på gulvet kan forhindre køleskabet i at flytte sig.
- Når køleskabet skal bæres, må man ikke holde i lågens håndtag. Hvis det sker, kan det brække.
- Hvis produktet skal placeres ved siden af et andet køleskab eller fryser, skal afstanden mellem de to apparater være mindst 8 cm. Ellers kan de tilgrænsende sidevægge blive fugtige.

For produkter med en vanddispenser;

Vandtrykket skal være mindst 1 bar.
Vandtrykket skal være højst 8 bar.

- Brug kun drikkevand.

Børnesikkerhed

- Hvis døren har en lås, bør nøglen opbevares uden for børns rækkevidde.
- Børn skal overvåges for at forhindre, at de piller ved produktet.

HCA Advarsel

Hvis køleskabets kølesystem indeholde R600a:

Denne gas er brændbar. Du skal derfor være opmærksom på ikke at ødelægge kølesystemet og kølerørerne under brug og transport. I tilfælde af beskadigelse skal produktet holdes væk fra mulige brandkilder, der kan forårsage, at produktet går i brand, og du skal sørge for at lufte ud i rummet, hvor produktet er placeret.

Ignorer denne advarsel, hvis dit køleskabs kølesystem indeholder R134a.

Gastypen, der bruges i produktet, er meddelt på typeskiltet, der er på venstre væg inde i køleskabet.

Kast aldrig produktet i en brand for bortskaffelse.

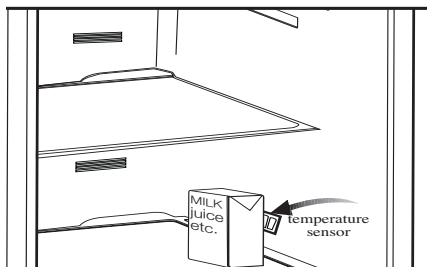
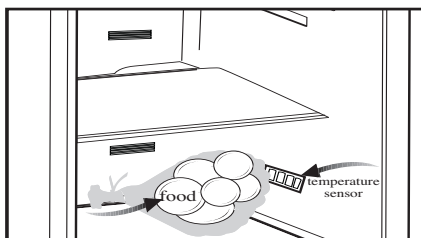
Energibesparende foranstaltninger

- Undlad at lade lågerne i køleskabet stå åbne i lang tid.
- Put ikke varm mad eller drikke i køleskabet.
- Overfyld ikke køleskabet, så luftcirkulationen bliver forhindret.
- Placer ikke dit køleskab under direkte sollys eller tæt på varmeudstrålende apparater, som f.eks. ovne, opvaskemaskiner eller radiatorer.
- Vær omhyggelig med at opbevare maden i lukkede beholdere.
- Produkter med en fryser: Du kan opbevare maksimal mængde madvarer i fryseren, hvis du fjerner hylden eller skuffen i fryseren. Energiforbrugsværdien, der er angivet for køleskabet, er blevet bestemt ved at fjerne fryserhylden eller -skuffen og under maksimal indfyldning. Der er ingen skade ved at bruge en hylde eller skuffe der passer i form og størrelse til de madvarer der skal fryses.
- Optøning af frossen mad i køleskabet vil både skabe energibesparelse og bevare madens kvalitet.

Anbefalinger til ferskvarerummet

*VALGFRI

- Lad ikke nogen fødevarer komme i kontakt med temperaturføleren i ferskvarerummet. For at opretholde den optimale temperatur i ferskvarerummet, må føleren ikke blokeres af fødevarer.
- Sæt ikke varm mad ind i dit køle-/fryseskab.



3 Installation

- ⚠ Husk at leverandøren ikke kan holdes ansvarlig, hvis informationerne i brugsvejledningen ikke er overholdt.

Tilberedning

- Køleskabet skal installeres mindst 30 cm væk fra varmekilder, som f.eks. kogeplader, ovne, radiatorer og brændeovne, og mindst 5 cm væk fra elektriske ovne, og det bør ikke placeres i direkte sollys.
- Den omgivende temperatur i det rum, hvor køleskabet installeres, bør være mindst 10°C. For at køleskabet skal være effektivt, anbefales det ikke at betjene det under koldere forhold.
- Sørg for at den indvendige del af køleskabet er grundigt rengjort.
- Hvis der skal installeres to køleskabe ved siden af hinanden, bør der være mindst 2 cm imellem dem.
- Når du lader køleskabet køre første gang, skal du overholde følgende instruktioner de første 6 timer.
 - Lågen skal ikke åbnes ofte.
 - Det skal køre tomt uden nogen form for mad i det.
 - Tag ikke køleskabet ud af stikkontakten. Hvis der forekommer strømudfald uden for din kontrol, så læs advarselserne under afsnittet "Anbefalede løsninger ved problemer".
- Den originale emballage og skummaterialerne bør gemmes for fremtidig transport eller flytning.

Punkter, der skal tages hensyn til, hvis køleskabet skal transporteres igen

1. Køleskabet skal tømmes og rengøres inden transport.
2. Hylde, tilbehør, grøntsagsskuffer osv. i køleskabet skal fastgøres sikkert for at modvirke stød, inden produktets pakkes igen.
3. Emballagen skal fastgøres med tykt tape og stærke reb, og reglerne for transport, der er trykt på pakken, skal følges.

Glem ikke...

Alt genbrugsmateriale er en uundværlig kilde for naturen og for vore nationale ressourcer.

Hvis du ønsker at medvirke til at genbruge emballagen, kan du få yderligere informationer hos miljøorganisationerne eller de lokale myndigheder.

Dit apparats klimaklassificering er skrevet på mærkelabelen placeret inde i apparatet. Det angiver de egnede rumtemperaturer som forklaret nedenfor.

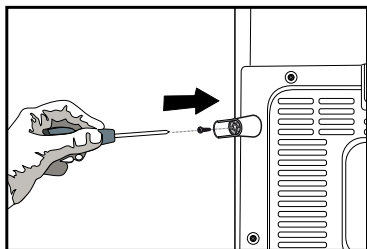
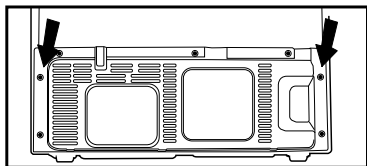
Klimaklasse Rumtemperaturer

SN	+10 °C til 32 °C
N	+16 °C til 32 °C
ST	+18 °C til 38 °C
T	+18 °C til 43 °C
SN-ST	+10 °C til 38 °C
SN-T	+10 °C til 43 °C

Inden køleskabet betjenes

Inden du begynder at bruge køleskabet, skal du kontrollere følgende:

1. Er køleskabet tørt indvendigt, og kan luften cirkulere frit bagved det?
2. Indsæt de plastikkiler på den bageste ventilation, som vist på figuren. Skru de eksisterende af og brug de skruer der følger med i samme pose som kilerne. Plastikkilerne vil give den krævede afstand mellem dit køleskab og væggen, så der bliver plads til luftcirkulation.



3. Rengør køleskabet indvendigt som anbefalet i afsnittet "Vedligeholdelse og rengøring".
4. Sæt køleskabets stik ind i kontakten. Når døren åbnes, vil det indvendige lys tændes.
5. Der vil kunne høres en lyd, når kompressoren starter. Kølevæsken og luftarterne, der findes i kølesystemet, kan også støje lidt, selv om kompressoren ikke kører, hvilket er helt normalt.
6. Køleskabets forreste kanter kan føles varme. Dette er normalt. Disse områder er beregnet til at være varme for at undgå kondensering.

Elektrisk tilslutning

Tilslut køleskabet til en jordet kontakt der er beskyttet af en sikring med passende kapacitet.

Vigtigt:

- Tilslutningen skal være i overensstemmelse med de nationale regulativer.
- Strømkvikket skal være nemt tilgængeligt efter installationen.
- Spænding og tilladt sikringsbeskyttelse er angivet i afsnittet "Tekniske specifikationer".
- Den angivne spænding skal være lig med spændingen for dit forsyningsnet.
- Mellemkabler og stikdåser med flere stik skal ikke bruges til tilslutningen.

⚠ Et ødelagt strømkabel skal udskiftes af en autoriseret elektriker.

⚠ Enheden må ikke betjenes, før den er repareret! Der er fare for elektrisk stød!

Bortskaffelse af emballagen

Emballagen kan være farlig for børn. Hold emballagen væk fra børns rækkevidde eller bortskaf dem, idet du skal klassificere dem i henhold til affaldsinstruktionerne. Smid dem ikke væk sammen med det øvrige husholdningsaffald.

Køleskabets emballage er produceret af genanvendelige materialer.

Bortskaffelse af det gamle køleskab

Bortskaf det gamle køleskab uden at skade miljøet.

- Du kan spørge din forhandler eller genbrugsstationen i din kommune angående bortskaffelse af køleskabet.
- Inden køleskabet bortskaffes, skal du skære elstikket af, og hvis der er låse i

lågen, skal du gøre dem ubrugelige for at beskytte børn mod fare.

Placering og installation

Forsigtig: Sæt aldrig køleskabet ind i stikkontakten under installationen. Hvis det sker, kan der opstå risiko for dødsfald eller alvorlig skade.

Hvis indgangsdøren i det rum, hvor køleskabet skal placeres, ikke er bred nok til, at køleskabet kan komme igennem, så skal du kontakte autoriseret service for at få dem til at fjerne lågerne på køleskabet og lade køleskabet passere sidelæns gennem døren.

1. Installér køleskabet på et sted, hvor det er nemt at bruge.

2. Hold køleskabet væk fra varmekilder, fugtige steder og direkte sollys.

3. Der skal være tilstrækkelig ventilation rundt om køleskabet for at opnå en effektiv funktion.

Hvis køleskabet skal placeres i en fordybning i væggen, skal der være mindst 5 cm afstand fra loft og væg.

Hvis gulvet er belagt med tæppe, skal produktet hæves 2,5 cm fra gulvet.

4. Placer køleskabet på en jævn gulvoverflade for at undgå rystebevægelser.

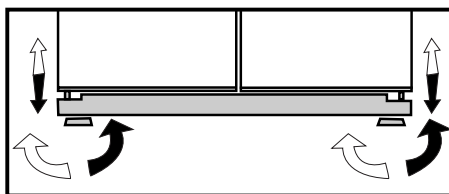
5. Stil ikke køleskabet på et sted, hvor de omgivende temperaturer er under 10°C.

Justering af balancen på gulvet

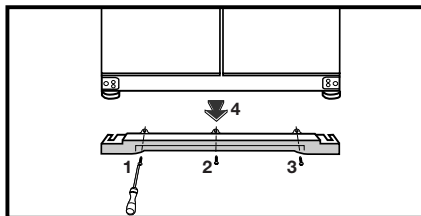
Hvis køleskabet ikke er i balance;

1- Ventilationsdækslet fjernes ved at løsne skruerne som illustreret på figuren inden proceduren. Du kan bringe køleskabet i balance ved at dreje de forreste ben som illustreret på tegningen. Det hjørne, hvor benet befinder sig, bliver sænket, når du drejer i retning af den sorte pil, og hævet, når du drejer i den modsatte retning. Hvis du får hjælp fra nogen til at løfte køleskabet let, vil det lette denne proces.

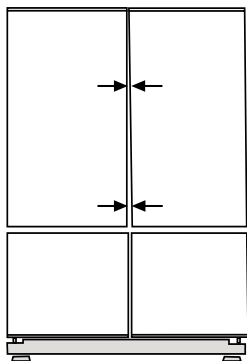
2. Når balanceproblemet er løst, sættes ventilationsdækslet på igen og skruerne skrues fast.



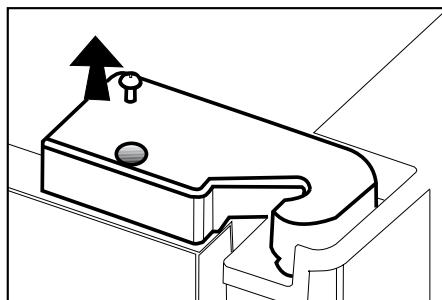
3. Fjern skruerne der fastholder det nederste ventilationsdæksel med en Philips skruetrækker.



Justering af afstanden mellem øverste låge

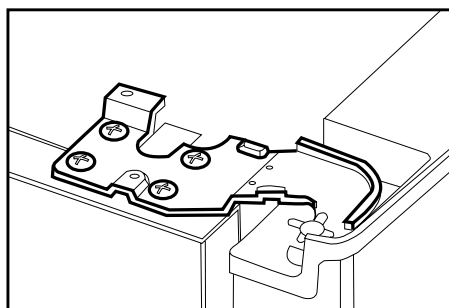


- Du kan justere afstanden mellem lågerne som illustreret på tegningerne.

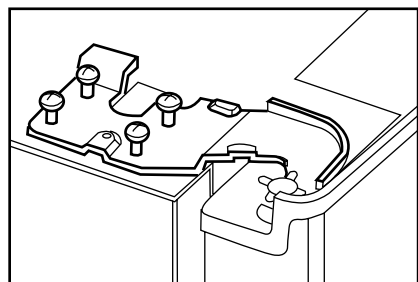
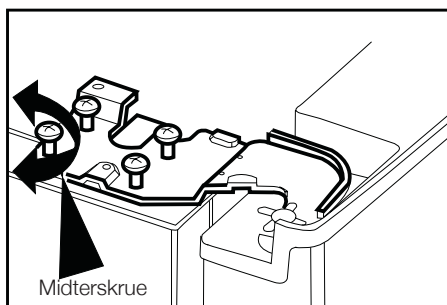


Lågehylderne skal tømme, når lågehøjden justeres.

- Vha. af en skruetrækker skal du tage skruen af den låges øverste hængselsdæksel, som du vil justere.

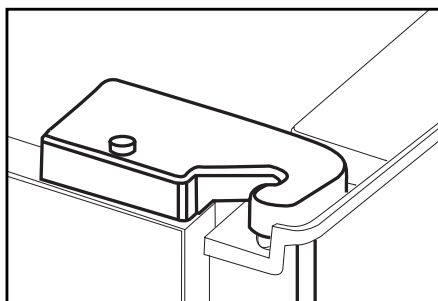


- Tilpas døren som du ønsker ved at løsne skruerne.
- Fastgør den låge, du har justeret,



ved at stramme skruerne uden at ændre lågens position.

- Sæt hængselsdækslet tilbage og fastgør det med skruen.



1. ko-ekstra / Ferieknap

Tryk kort på denne knap for at slå økoekstra funktionen til. Tryk og hold knappen nede i 3 sek. for at aktivere feriefunktionen. Tryk på knappen igen for at slå den valgte funktion fra.

2. Hurtig-frys knap

Tryk kort på denne knap for at slå hurtigfrys funktionen til. Tryk på knappen igen for at slå den valgte funktion fra.

3. Fryser - Indikator for temperaturjustering

Tryk på denne knap for at indstille fryserummets temperatur til hhv. -18, -20, -22 og -24. Tryk på denne knap for at indstille den ønskede temperatur for fryseren.

4. K leskab- Indikator for temperaturjustering

Tryk på denne knap for at indstille køleskabsrummets temperatur til hhv. 8, 6, 4 og 2. Tryk på denne knap for at indstille den ønskede temperatur for køleskabet.

5. Hurtig-k I knap

Tryk kort på denne knap for at slå hurtigkølfunktionen til. Tryk på knappen igen for at slå den valgte funktion fra.

6. K leskab- Indikator for temperaturjustering

Du kan indstille flexizonen til enten fryser eller køler. Tryk og hold denne knap nede i 3 sek for at indstille flexizonen til fryser eller køler. Den er indstillet til fryser fra fabrikken.

Hvis flexizonen er indstillet til fryser, vil temperaturen i flexizonen ændres til hhv. -18, -20, -22, -24 hver gang du trykker på denne knap. Hvis flexizonen er indstillet til køler, vil temperaturen i flexizonen ændres til hhv. -6, 0, 2, 4 hver gang du trykker på denne knap.

7. Indikator til feriefunktion

Indikerer at feriefunktionen er aktiveret. Når denne funktionen er aktiveret, vil "- -" blive vist i køleskabets indikator, og kølerummet vil ikke blive kølet ned. Andre rum køles i henhold til den temperatur der er indstillet.

Tryk på den relevante knap igen for at slå denne funktion fra.

8. Indikator til ko-ekstra-funktion

Indikerer at økoekstrafunktionen er aktiveret. Når denne funktion er aktiveret, vil køleskabet automatisk finde ud af hvornår det bruges mindst, og en energieffektiv køling vil blive aktiveret i disse perioder. Økonomiindikatoren er aktiveret mens energieffektiv køling finder sted.

Tryk på den relevante knap igen for at slå denne funktion fra.

9. Indikator for Hurtigfrysfunktion

Indikerer at hurtigfrysfunktionen er aktiveret. Brug denne funktion når du anbringer friske madvarer i fryseren, eller når du har brug for is. Når denne funktion er aktiveret, vil køleskabet køre 6 timer uden at stoppe.

Tryk på den relevante knap igen for at slå denne funktion fra.

10. Indikator for frysertemperatur

Indikerer temperaturindstillingen for fryseren.

11. Fryser - Indikator for temperaturjustering

Indikerer temperaturindstillingen for køleskabet.

12. Indikator til hurtig Ifunktion

Indikerer at hurtigkølfunktionen er aktiveret. Brug denne funktion når du anbringer friske madvarer i køleskabet, eller når du har brug for hurtigt at nedkøle din mad. Når denne funktion er aktiveret, vil køleskabet køre 2 timer uden at stoppe.

Tryk på den relevante knap igen for at slå denne funktion fra.

13. Flexizone opbevaringsrum temperaturindikator

Indikerer temperaturindstillingen for flexizonen.

14. Indikator for økonomisk anvendelse

Indikerer at køleskabets energieffektive tilstand er aktiveret. Frysertemperatur Denne indikator vil være aktiveret hvis funktionen er indstillet til -18, eller energieffektiv køling er aktiveret på grund af økoekstrafunktionen.

15. Indikator for fejltilstand

Hvis køleskabet ikke køler ordentligt, eller hvis der er en sensorfejl, vil denne indikator lyse. Når denne indikator lyser, vil et "E" blive vist på fryserens temperaturindikator, og tal som "1,2,3..." vil blive vist på køleskabets temperaturindikator. Tallene på indikatoren giver oplysninger om fejlen til servicepersonalet.

16. Indikator for tastel s

Brug denne funktion hvis du ikke ønsker at temperaturindstillingen bliver ændret. Tryk på hurtigkølknappen og knappen til temperaturindstilling for flexizonen på en gang i 3 sek for at aktivere denne funktion.

Tryk på de relevante knapper igen for at slå denne funktion fra.

Alarm for åben dør:

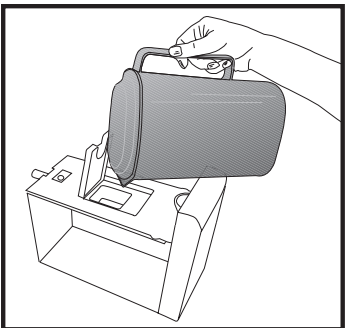
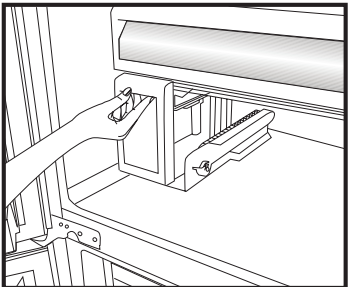
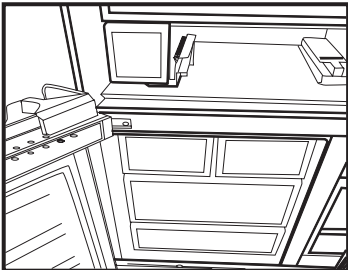
Hvis døren til enten køleskabet eller **Flexizonen** er åben mere end 1 minut, vil åben dør alarmen blive aktiveret. Tryk på en hvilken som helst knap på indikatoren, eller luk døren for at slukke alarmen.

17. Is-fra

For at stoppe isdannelsen skal "Ice Off" knappen trykkes ind. Når der vælges is afbrudt, vil der ikke tages vand ind i Ismaskinen. Men allerede eksisterende is kan tages fra dispenseren. For at genstarte isdannelsen, skal "ice off" knappen trykkes på igen.

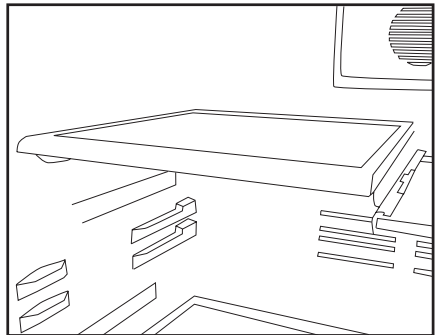
Automatisk ismaskine

Den automatiske ismaskine giver dig mulighed for nemt at få isterninger fra køleskabet. Tag vandbeholderen i køleskabet ud, fyld den med vand og sæt den tilbage for at få isterninger fra ismaskinen. De første isterninger vil være klar efter to timer i isskuffen der sidder i fryseren. En fuld vandtank giver 70 isterninger. Skift vandet i vandbeholderen hvis der er vand i beholderen i mere end 2-3 uger.



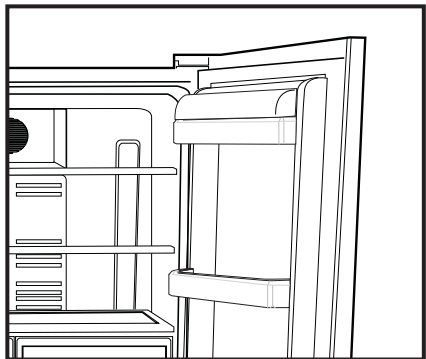
Glidehylder med bøjler bagpå

Glidehylder med bøjler bagpå kan flyttes frem og tilbage. Højden kan også justeres ved at fjerne dem og placere dem i en lavere eller højere position. Løft hylden lidt op og træk den mod dig selv for at fjerne den.



Hylde til smør og ost

Madvarer som smør, ost og margarine opbevares på denne hylde med låg.



Æggebakke

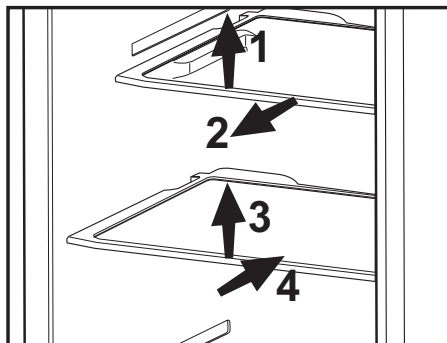
- Du kan installere æggeholderen på den ønskede låge eller hylde.
- Opbevar aldrig æggeholderen i fryseren.

Glidehylder

• Glidehylder kan trækkes ud ved forsigtigt at løfte dem op foran og bevæge dem frem og tilbage. De kommer til et punkt, når de trækkes fremad, der gør det muligt for dig at nå fødevarerne, der er placeret bagest på hylden. Når den trækkes ud efter at have løftet op en smule ved det andet punkt, frigives hylden.

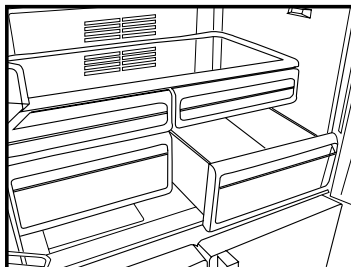
Der bør holdes godt fast på bunden af hylden for at forhindre den i at vælte. Hylden placeres på skinnerne på køleskabets sider ved at bringe det til et lavere eller højere niveau.

Hylden bør skubbes tilbage for at placere den rigtigt.



Grøntsagssrum

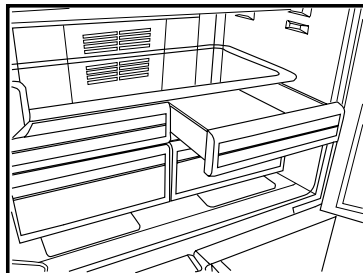
Dit køleskabs grøntsagsskuffe er specielt fremstillet til at holde dine grøntsager friske, uden de mister deres fugtighed. Til dette formål cirkulerer der kold luft rundt om hele grøntsagsskuffen.



Køleafdeling

Køleafdelingerne gør madvarer der skal frys klar til at blive frosset. Du kan også bruge disse rum til at opbevare fødevarer ved en lav temperatur nogle få grader under køleskabet.

Du kan øge den indre volumen af køleskabet ved at fjerne et af rummene til snack. For at gøre dette skal du trække rummet imod dig selv, rummet vil støtte mod stopklodsen og stoppe. Rummet frigøres når du løfter det ca. 1 cm og trækker det mod dig selv.

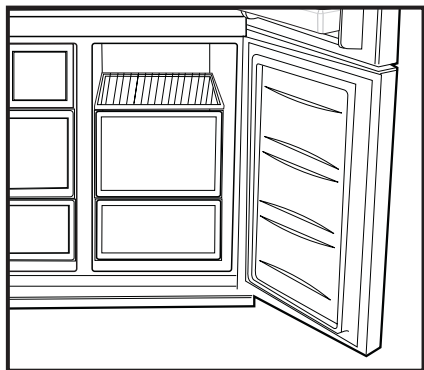


Drejelig midtersektion

Formålet med den drejelige midtersektion er at forhindre at den kolde luft inden i køleskabet slipper ud. Den drejelige midtersektion er med til at indkapsle eftersom pakningen på døren preses mod overfladen på den drejelige midtersektion når dørene til køleskabet lukkes. En anden årsag til at dit køleskab har en drejelig midtersektion er at køleskabets rumindhold bliver større. Almindelige midtersektioner optager plads i køleskabet der ikke kan bruges.

Flexizone opbevaringsrum

Flexizone opbevaringsrum i dit køleskab kan anvendes som du ønsker ved at indstille den til enten køleteperaturer (2/4/6/8 °C) eller til frysetemperaturer (-18/-20/-22/-24). Du kan fastholde den ønskede temperatur med "knappen til temperaturindstilling for flexizone

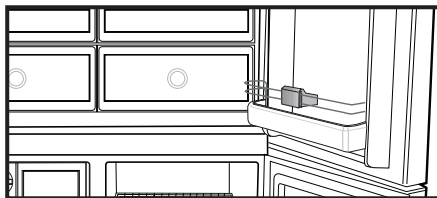


opbevaringsrum". Temperaturen for flexizone opbevaringsrum kan indstilles til 0 og 10 grader for køleskabstemperaturen og til -6 grader for frysertemperaturen. 0 grader bruges til at opbevare delikate produkter længere, og -6 grader bruges til at opbevare kød i op til 2 uger i en tilstand, hvor det nemt kan skæres ud.

i Funktionen med at skifte til køle- eller fryserum aktiveres med et køleelement placeret i den lukkede del (kompressorafdelingen) bag ved køleskabet. Under denne operation høres en lyd, der minder om sekunderne fra et analogt ur. Dette er normalt og ikke en fejl.

Blåt lys

Madvarer, der opbevares i grøntsagsskufferne, der er oplyst med et blå lys, fortsætter deres fotosyntese vha. bølglængeeffekten fra det blå lys, og på den måde bevares deres friskhed, og deres vitaminindhold forøges.



5 Vedligeholdelse og rengøring

- ⚠ Brug aldrig benzin, benzen eller lignende substanser til rengøring.
- ⚠ Vi anbefaler, at apparatet tages ud af stikkontakten inden rengøring.
- 🔧 Brug aldrig skarpe, slibende instrumenter, sæbe, husholdningsrengøringsmidler, vaskepulver eller polérvoks til rengøring.
- 🔧 Vask køleskabskabinettet i lunkent vand og tør det med en klud.
- 🔧 Anvend en fugtig klud vredet op i en opløsning af én teskefuld natriumbikarbonat (tvekulsurt natron) til 1/2 liter vand til rengøring af indersiderne, og tør efter med en klud.
- ⚠ Sørg for at der ikke kommer vand ind i lampehuset eller andre elektriske genstande.
- ⚠ Hvis køleskabet ikke skal benyttes i længere tid: Tag stikket ud, fjern alle madvarer, rengør det, og lad døren stå på klem.
- 🔧 Kontroller gummilisterne jævnligt for sikre, at de er rene og fri for madpartikler.
- 🔧 For at fjerne dørhylder tømmes indholdet ud, hvorefter dørhylden ganske enkelt løftes op fra sin plads.

Beskyttelse af plasticoverflader

- Put ikke flydende olier eller olie-tillberedte måltider i køleskabet i ulukkede beholdere, da de ødelægger køleskabets plasticoverflader. Hvis der spildes eller smøres olie på plasticoverfladerne, skal den relevante del af overfladen renses og skylles med det samme med varmt vand.

6 Anbefalede løsninger på problemerne

Læs denne liste igennem, inden du ringer efter service. Det kan spare dig for tid og penge. Denne liste indeholder ofte forekommende reklamationer, der ikke opstår af defekt udførelse eller materialebrug. Det er muligt, at nogle af de her beskrevne funktioner ikke findes i dit produkt.

Køleskabet virker ikke
<ul style="list-style-type: none">• Er køleskabet sat rigtigt i stikkontakten? Sæt stikket i kontakten i væggen.• Er sikringen, som køleskabet er tilsluttet, eller hovedsikringen sprunget? Kontroller sikringen.
Kondens på sidevæggen af køleskabsrummet. (MULTI ZONE, COOL CONTROL ve FLEXI ZONE)
<ul style="list-style-type: none">• Meget kolde omgivelser. Ofte åbning og lukning af lågen. Højt fugtindhold i omgivelserne. Opbevaring af mad, der indeholder væske, i åbne beholdere. Lågen står på klem.• Sæt termostaten på koldere grader.• Reducér tiden, hvor lågen står åben, eller brug den mindre ofte.• Dæk maden, der opbevares i åbne beholdere, til med passende materiale.• Tør kondensvandet af vha. en tør klud og kontroller, om det vedvarer.
Kompressoren kører ikke.
<ul style="list-style-type: none">• Beskyttelsestermo fra kompressoren vil blæse ud under pludselig strømudfald eller tilkoblinger/frakoblinger, da kølemiddeltrykket i køleskabets kølesystem ikke er bragt i balance endnu.• Køleskabet vil starte med at køre efter ca. 6 minutter. Ring efter service, hvis køleskabet ikke starter efter denne periode.• Køleskabet er ved at afrime. Dette er normalt for et køleskab med fuldautomatisk afrimning. Afrimning foregår med jævne mellemrum.• Køleskabsstikket er ikke sat i kontakten. Sørg for at stikket er sat stramt ind i kontakten.• Er temperaturindstillingerne foretaget rigtigt? Der er strømsvigt. Ring efter elektrikerens.
Køleskabet kører ofte eller i lang tid.

<ul style="list-style-type: none"> • Det nye køleskab kan være bredere end det foregående. Dette er helt normalt. Store køleskabe arbejder i længere perioder. • Den omgivende rumtemperatur kan være høj. Dette er helt normalt. • Køleskabet kan have været sat til for nylig eller have været fyldt op med mad. Komplet nedkøling af køleskabet kan vare et par timer længere. • Store mængder varm mad kan være blevet sat ind i køleskabet fornylig. Varm mad medfører, at køleskabet skal køre i længere tid, indtil maden når den ønskede temperatur. • Lågerne kan have været åbnet jævnligt eller have stået på klem i lang tid. Den varme luft, der er kommet ind i køleskabet, får køleskabet til at køre i længere perioder. Undlad at åbne lågen så ofte. • Fryserens eller køleskabets dør kan have stået på klem. Kontroller om lågerne er lukket tæt. • Køleskabet er indstillet meget koldt. Indstil køleskabstemperaturen højere, indtil temperaturen er tilpas. • Køleskabets eller fryserens lågepakning kan være snavset, slidt, ødelagt eller ikke sat ordentligt på. Rengør eller udskift pakningen. Beskadiget/brækket pakning forårsager, at køleskabet kører i længere perioder for at vedligeholde den aktuelle temperatur.
Frysertemperaturen er meget lav, mens køleskabstemperaturen er tilpas.
<ul style="list-style-type: none"> • Frysertemperaturen er indstillet meget koldt. Juster frysertemperaturen varmere og kontroller.
Køleskabstemperaturen er meget lav, mens fryserstemperaturen er tilpas.
<ul style="list-style-type: none"> • Køleskabstemperaturen er indstillet til en meget lav temperatur. Juster køleskabstemperaturen varmere og kontroller.
Mad, der opbevares i køleskabet, fryser.
<ul style="list-style-type: none"> • Køleskabstemperaturen er indstillet til en meget lav temperatur. Juster køleskabstemperaturen varmere og kontroller.
Temperaturen i køleskab eller fryser er meget høj.

<ul style="list-style-type: none"> • Køleskabstemperaturen er indstillet meget varmt. Køleskabsindstillingen har virkning på fryserens temperatur. Skift køleskabets eller fryserens temperatur, indtil køleskabs- eller frysertemperatur når et tilpas niveau. • Lågen kan stå på klem. Luk lågen helt. • Store mængder varm mad kan være blevet sat ind i køleskabet fornylig. Vent til køleskabet eller fryseren når den ønskede temperatur. • Køleskabet kan være taget ud af kontakten fornylig. Komplet nedkøling af køleskabet tager tid pga. størrelsen.
Der kommer en lyd, som minder om sekundviseren fra et analogt ur, fra køleskabet.
<ul style="list-style-type: none"> • Lyden kommer fra køleskabets magnetventil. Funktioner for magnetventiler til sikring af kølekanal gennem rummet, som kan justeres til køle- eller frysetemperaturer og udførelse af kølefunktioner. Dette er normalt, og er ikke en fejl.
Funktionslyden øges, når køleskabet kører.
<ul style="list-style-type: none"> • Egenskaberne for køleskabets driftsydelse kan ændre sig alt efter ændringerne i den omgivende temperatur. Det er normalt og ikke en fejl.
Vibrationer eller støj.
<ul style="list-style-type: none"> • Gulvet er ikke lige, eller det er svagt. Køleskabet vipper, når det flyttes langsomt. Sørg for, at gulvet er lige, stærkt og kapabelt til at bære køleskabet. • Støjen kan være forårsaget af de genstande, der er lagt i køleskabet. Sådanne genstande skal fjernes fra køleskabets øverste del.
Der er støj som væske, der løber over eller sprøjter.
<ul style="list-style-type: none"> • Væske- og gasstrømning sker i henhold til køleskabets driftsprincipper. Det er normalt og ikke en fejl.
Der er en støj som en vind, der blæser.
<ul style="list-style-type: none"> • Der bruges luftaktivatorer (blæsere), så køleskabet kan køle effektivt. Det er normalt og ikke en fejl.
Kondensvand på køleskabets indervægge.
<ul style="list-style-type: none"> • Varmt og fugtigt vejr øger isdannelse og udsvedning. Det er normalt og ikke en fejl. • Lågerne står på klem. Sørg for at lågerne er helt lukkede. • Lågerne kan have været åbnet ofte, eller de kan have stået åbne i lang tid. Undlad at åbne lågen så ofte.
Der opstår fugt på ydersiden af køleskabet eller mellem lågerne.
<ul style="list-style-type: none"> • Vejret er måske fugtigt. Dette er helt normalt i fugtigt vejr. Når fugtigheden er mindre, vil kondensen forsvinde.

Dårlig lugt inde i køleskabet.

- Køleskabets skal rengøres indvendigt. Rengør køleskabet indvendigt med en svamp, varmt vand eller kulstofholdigt vand.
- Nogle beholdere eller emballeringsmaterialer kan forårsage lugten. Brug en anden beholder eller et andet mærke indpakningsmateriale.

Lågen/lågerne er ikke lukket.

- Madbeholdere forhindrer lågen i at lukke. Omplacer pakkerne, der blokerer lågen.
- Køleskabet er sikkert ikke helt lodret på gulvet, og det kan vippe, når det flyttes lidt. Justér højdeskruerne.
- Gulvet er ikke lige eller stærkt. Sørg for, at gulvet er lige, stærkt og kapabelt til at bære køleskabet.

Grøntsagsskuffer sidder fast.

- Maden berører måske skuffens top. Omarranger maden i skuffen.

Παρακαλούμε διαβάστε πρώτα το παρόν εγχειρίδιο!

Αγαπητέ Πελάτη,

Ελπίζουμε ότι το προϊόν σας, που έχει κατασκευαστεί σε μοντέρνες εγκαταστάσεις και έχει ελεγχθεί με τις πιο αυστηρές διαδικασίες ελέγχου ποιότητας, θα σας προσφέρει μια αποδοτική υπηρεσία.




Για το λόγο αυτό, συνιστούμε να διαβάσετε προσεκτικά όλο το εγχειρίδιο οδηγιών του προϊόντος σας πριν το χρησιμοποιήσετε και κατόπιν να το φυλάξετε σε εύκολα προσπελάσιμο σημείο για μελλοντική αναφορά.

Το παρόν εγχειρίδιο

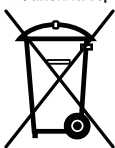
- Θα σας βοηθήσει να χρησιμοποιήσετε τη συσκευή σας με γρήγορο και ασφαλή τρόπο.
- Διαβάστε το εγχειρίδιο πριν την εγκατάσταση και τη χρήση του προϊόντος σας.
- Ακολουθείτε τις οδηγίες και ιδιαίτερα αυτές που αφορούν την ασφάλεια.
- Φυλάξτε το εγχειρίδιο σε εύκολα προσπελάσιμο μέρος γιατί μπορεί να το χρειαστείτε αργότερα.
- Επιπλέον, διαβάστε και την υπόλοιπη τεκμηρίωση που συνοδεύει το προϊόν σας. Έχετε υπόψη σας ότι το παρόν εγχειρίδιο μπορεί να ισχύει και για άλλα μοντέλα.

Σύμβολα και οι περιγραφές τους

Το παρόν εγχειρίδιο οδηγιών περιέχει τα εξής σύμβολα:

-  Σημαντικές πληροφορίες ή χρήσιμες συμβουλές για τη χρήση
-  Προειδοποίηση για συνθήκες επικίνδυνες για τη ζωή και την περιουσία.
-  Προειδοποίηση για ηλεκτρική τάση.

Ανακύκλωση



Αυτό το προϊόν φέρει το σύμβολο της επιλεκτικής διαλογής για Απόβλητα ειδών Ηλεκτρικού και Ηλεκτρονικού Εξοπλισμού (ΑΗΗΕ). Αυτό σημαίνει ότι αυτό το προϊόν θα πρέπει να τυγχάνει χειρισμού σύμφωνα με την Ευρωπαϊκή Οδηγία 2002/96/ΕΚ για να ανακυκλώνεται ή να αποσυναρμολογείται ώστε να ελαχιστοποιείται η επίπτωσή του στο περιβάλλον. Για περισσότερες πληροφορίες, παρακαλούμε απευθυνθείτε στις τοπικές ή τις περιφερειακές σας αρχές.

Τα ηλεκτρονικά προϊόντα που δεν περιλαμβάνονται στη διαδικασία της επιλεκτικής διαλογής είναι δυνητικά επικίνδυνα για το περιβάλλον και την ανθρώπινη υγεία λόγω της παρουσίας επικίνδυνων ουσιών.

ΠΕΡΙΕΧΟΜΕΝΑ

1 Το ψυγείο σας 3

2 Σημαντικές προειδοποιήσεις ασφαλείας 4

Προβλεπόμενος σκοπός χρήσης..... 4

Για προϊόντα με διανομέα νερού: ... 6

Ασφάλεια των παιδιών..... 6

Προειδοποίηση ΗCA (Για συσκευές Ψύξης - Θέρμανσης) 6

Τι πρέπει να κάνετε για εξοικονόμηση ενέργειας..... 7

Υποδείξεις για το χώρο νωπών τροφίμων 7

3 Εγκνσταση 8

Προετοιμασία.....

Σημεία που πρέπει να προσεχτούν κατά τη μεταφορά του προϊόντος....

Πριν θέσετε σε λειτουργία το ψυγείο σας

Ηλεκτρική σύνδεση.....

Διάθεση των υλικών συσκευασίας....

Διάθεση του παλιού σας ψυγείου.....

Τοποθέτηση και εγκατάσταση.....

Ρύθμιση ευστάθειας στο δάπεδο.....

Ρύθμιση του διακένου από την πάνω πόρτα.....

Προετοιμασία..... 8

Σημεία που πρέπει να προσεχτούν κατά τη μεταφορά του προϊόντος.. 8

Πριν θέσετε σε λειτουργία το ψυγείο σας

Ηλεκτρική σύνδεση..... 9

Διάθεση των υλικών συσκευασίας .. 9

Διάθεση του παλιού σας ψυγείου.. 10

Τοποθέτηση και εγκατάσταση..... 10

Ρύθμιση ευστάθειας στο δάπεδο.. 10

Ρύθμιση του διακένου από την πάνω πόρτα

4 Χρήση του ψυγείου σας 12

Πίνακας ενδείξεων

Ειδοποίηση Ανοικτής πόρτας:

Τμήμα για βούτυρο & τυρί

Συρόμενα ράφια θαλάμου

Θήκη αυγών.....

Συρτάρι λαχανικών

Χώρος Έντονης ψύξης.....

Περιστρεφόμενο κεντρικό τμήμα 18

Χώρος φύλαξης Ευέλικτης ζώνης 18

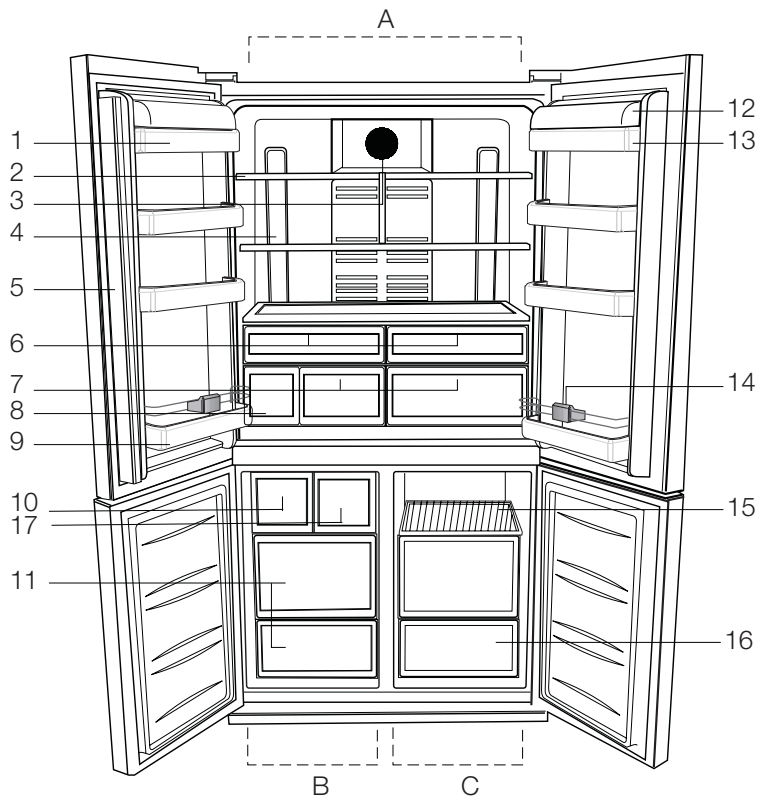
Μπλε φως

5 Συντήρηση και καθαρισμός 19

Προστασία των πλαστικών επιφανειών

6 Συνιστώ μενες λύσεις για προβλήματα 20

1 Το ψυγείο σας



- | | | | |
|----|--------------------------------|-----|-------------------------------------|
| A- | Χώρος συντήρησης | 9 | Ράφι μπουκαλιών |
| B- | Χώρος κατάψυξης | 10- | Icematic – Αυτόματο σύστημα πάγου |
| C- | Ευέλικτη ζώνη | 11- | Χώροι φύλαξης κατεψυγμένων τροφίμων |
| 1- | Ράφια πόρτας χώρου συντήρησης | 12- | Κάλυμμα ραφιού βουτύρου & τυριού |
| 2- | Γυάλινα ράφια χώρου συντήρησης | 13- | Ράφι βουτύρου & τυριού |
| 3- | Κάλυμμα διάχυσης | 14- | Στήριγμα μπουκαλιών |
| 4- | Κρύσταλλο φωτισμού | 15- | Θάλαμος αποθήκευσης |
| 5- | Περιστρεφόμενο κεντρικό τμήμα | 16- | Χώρος φύλαξης Ευέλικτης ζώνης |
| 6- | Χώρος Έντονης ψύξης | 17- | Νωπά συρτάρι ψυγεία |
| 7- | Συρτάρι λαχανικών | | |
| 8- | Δοχείο νερού | | |

i Οι εικόνες σ' αυτό το εγχειρίδιο οδηγιών είναι σχηματικές και ενδέχεται να μην ανταποκρίνονται ακριβώς στο προϊόν σας. Αν ορισμένα τμήματα δεν περιλαμβάνονται στο προϊόν που έχετε προμηθευτεί, τότε ισχύουν για άλλα μοντέλα.

2 Σημαντικές προειδοποιήσεις ασφαλείας

Παρακαλούμε να μελετήσετε τις πληροφορίες που ακολουθούν. Η μη τήρηση αυτών των πληροφοριών μπορεί να γίνει αιτία τραυματισμών ή υλικών ζημιών. Αν δεν το κάνετε αυτό, θα καταστεί άκυρη κάθε εγγύηση και κάθε δέσμευση περί αξιοπιστίας.

Ο χρόνος ωφέλιμης ζωής της μονάδας που προμηθευτήκατε είναι 10 έτη. Αυτή είναι η περίοδος διατήρησης των ανταλλακτικών που απαιτούνται για τη λειτουργία της μονάδας σύμφωνα με τα περιγραφόμενα.

Προβλεπόμενος σκοπός χρήσης

Το προϊόν αυτό προορίζεται να χρησιμοποιείται

- σε εσωτερικούς χώρους και κλειστές περιοχές όπως είναι τα σπίτια
 - σε κλειστούς χώρους εργασίας όπως καταστήματα και γραφεία
 - σε κλειστούς χώρους ενδιαίτησης όπως αγροτόσπιτα, ξενοδοχεία, πανσιόν.
- Το προϊόν αυτό δεν πρέπει να χρησιμοποιείται σε εξωτερικό χώρο.

Γενικές οδηγίες ασφαλείας

- Όταν θέλετε να πετάξετε ως άχρηστο ή να ανακυκλώσετε το προϊόν, συνιστούμε για τις απαιτούμενες πληροφορίες να συμβουλευτείτε το εξουσιοδοτημένο σέρβις ή τους αρμόδιους φορείς.
- Να συμβουλευέστε το εξουσιοδοτημένο σέρβις για όλες τις ερωτήσεις και προβλήματα σχετικά με το ψυγείο. Μην επεμβαίνετε και μην αφήνετε οποιονδήποτε άλλον να επέμβει στο ψυγείο χωρίς να ειδοποιήσετε το εξουσιοδοτημένο σέρβις.
- Για προϊόντα με χώρο κατάψυξης: Μην καταναλώνετε παγωτό και παγοκύβους αμέσως μόλις τα βγάλετε από το χώρο της κατάψυξης! (Αυτό μπορεί να προκαλέσει κρουπαγήματα στο στόμα σας).
- Για προϊόντα με χώρο κατάψυξης: Μην τοποθετείτε στην κατάψυξη ποτά ή αναψυκτικά σε μπουκάλια ή μεταλλικά κουτιά. Αλλιώς, υπάρχει κίνδυνος να

σκάσουν.

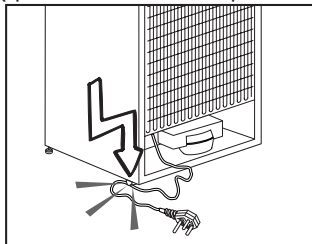
- Μην αγγίζετε τα παγωμένα τρόφιμα με τα χέρια, γιατί μπορεί να κολλήσουν στο χέρι σας.
- Αποσυνδέετε το ψυγείο από την πρίζα πριν τον καθαρισμό ή την απόψυξη.
- Δεν πρέπει να χρησιμοποιείτε ποτέ ατμό και ατμοποιημένα καθαριστικά υλικά στις διαδικασίες καθαρισμού και απόψυξης του ψυγείου σας. Σε τέτοιες περιπτώσεις, ο ατμός μπορεί να έλθει σε επαφή με τα ηλεκτρικά εξαρτήματα και να γίνει η αιτία βραχυκυκλώματος ή ηλεκτροπληξίας.
- Ποτέ μη χρησιμοποιείτε εξαρτήματα του ψυγείου σας, όπως η πόρτα, ως μέσο στήριξης ή ως σκαλοπάτι.
- Μη χρησιμοποιείτε ηλεκτρικές συσκευές στο εσωτερικό του ψυγείου.
- Μην προξενήσετε ζημιά με εργασία διάτρησης ή κοπής στα μέρη της συσκευής όπου κυκλοφορεί το ψυκτικό μέσο. Το ψυκτικό μέσο που μπορεί να εκτιναχθεί αν τρυπήσουν οι δίοδοι αερίου του εξατμιστήρα, των επεκτάσεων σωλήνων ή των επιφανειακών επικαλύψεων, προκαλεί ερεθισμό στο δέρμα και τραυματισμό στα μάτια.
- Μην καλύπτετε και μην φράσετε με οποιοδήποτε υλικό τα ανοίγματα αερισμού του ψυγείου σας.
- Οι επισκευές σε ηλεκτρικές συσκευές πρέπει να διεξάγονται μόνο από εξουσιοδοτημένο προσωπικό. Οι επισκευές που γίνονται από αναρμόδια άτομα δημιουργούν κινδύνους για το χρήστη.
- Σε περίπτωση οποιασδήποτε βλάβης ή κατά τη διάρκεια των εργασιών συντήρησης ή επισκευών, να αποσυνδέετε το ψυγείο από την παροχή ηλεκτρικού ρεύματος είτε απενεργοποιώντας τον αντίστοιχο ασφαλειοδιακόπτη είτε βγάζοντας το φως από την πρίζα.
- Για την αποσύνδεση του φως μην τραβάτε το καλώδιο.
- Τοποθετείτε τα ποτά που έχουν σχετικά μεγάλη περιεκτικότητα σε οινόπνευμα σφικτά κλεισμένα και σε κατακόρυφη θέση.
- Ποτέ μην αποθηκεύετε στο ψυγείο

μπουκάλια σπρέι που περιέχουν εύφλεκτες και εκρηκτικές ουσίες.

- Μη χρησιμοποιείτε μηχανικές διατάξεις ή άλλα μέσα για να επιταχύνετε τη διαδικασία της απόψυξης, εκτός από τα μέσα που συνιστά ο κατασκευαστής.
- Το προϊόν αυτό δεν προορίζεται για χρήση από άτομα με σωματικά, αισθητηριακά ή διανοητικά προβλήματα ή από άτομα με έλλειψη εμπειρίας (περιλαμβανομένων παιδιών), εκτός αν τα άτομα βρίσκονται υπό την επίβλεψη ατόμου που θα είναι υπεύθυνο για την ασφάλειά τους ή που θα τα καθοδηγήσει όπως απαιτείται για τη χρήση του προϊόντος
- Μη χρησιμοποιήσετε το ψυγείο αν έχει υποστεί βλάβη ή ζημιά. Αν έχετε οποιαδήποτε αμφιβολία συμβουλευτείτε τον αντιπρόσωπο σέρβις.
- Η ηλεκτρική ασφάλεια του ψυγείου σας θα είναι εγγυημένη μόνον αν το σύστημα γείωσης του σπιτιού σας συμμορφώνεται με τα ισχύοντα πρότυπα.
- Η έκθεση του προϊόντος σε βροχή, χιόνι, ήλιο και άνεμο δημιουργεί κινδύνους σε σχέση με την ασφάλεια με το ηλεκτρικό ρεύμα.
- Αν υπάρχει ζημιά στο καλώδιο ρεύματος, για την αποφυγή κινδύνου επικοινωνήστε με το εξουσιοδοτημένο σέρβις.
- Σε καμία περίπτωση μη συνδέσετε το ψυγείο στην πρίζα κατά τη διάρκεια της εγκατάστασης. Αλλιώς, μπορεί να δημιουργηθεί κίνδυνος θανάτου ή σοβαρού τραυματισμού.
- Το ψυγείο αυτό προορίζεται αποκλειστικά για τη φύλαξη τροφίμων. Δεν πρέπει να χρησιμοποιηθεί για οποιονδήποτε άλλο σκοπό.
- Η επικέτα τεχνικών προδιαγραφών βρίσκεται πάνω στο αριστερό τοίχωμα στο εσωτερικό του ψυγείου.
- Ποτέ μη συνδέσετε το ψυγείο σας σε συστήματα εξοικονόμησης ενέργειας, γιατί αυτά μπορεί να προκαλέσουν ζημιά στο ψυγείο.
- Αν το ψυγείο σας διαθέτει μπλε φως, μην κοιτάζετε το μπλε φως μέσω οπτικών διατάξεων.
- Για ψυγεία με μη αυτόματο σύστημα ελέγχου, μετά από διακοπή ρεύματος

περιμένετε τουλάχιστον 5 λεπτά πριν θέσετε πάλι το ψυγείο σε λειτουργία.

- Σε περίπτωση μεταβίβασης, το παρόν εγχειρίδιο χρήσης θα πρέπει να παραδοθεί στον καινούριο ιδιοκτήτη του προϊόντος.
- Αποφύγετε την πρόκληση ζημιάς στο καλώδιο ρεύματος όταν μεταφέρετε το ψυγείο. Αν το καλώδιο τσακίσει μπορεί να προκληθεί πυρκαγιά. Ποτέ μην τοποθετείτε βαριά αντικείμενα πάνω στο καλώδιο ρεύματος. Μην αγγίζετε το φως με υγρά χέρια όταν συνδέετε το προϊόν στην πρίζα.



- Μη συνδέσετε το ψυγείο σε πρίζα που δεν είναι καλά στερεωμένη στη θέση της.
- Για λόγους ασφαλείας, δεν πρέπει ποτέ να πιτσιλίζετε νερό απ' ευθείας σε εσωτερικά ή εξωτερικά μέρη του προϊόντος.
- Για να αποφύγετε τον κίνδυνο πυρκαγιάς και έκρηξης, μην ψεκάζετε κοντά στο ψυγείο υλικά που περιέχουν εύφλεκτα αέρια όπως προπάνιο κ.λ.π.
- Ποτέ μην τοποθετείτε πάνω στο ψυγείο δοχεία που περιέχουν νερό, γιατί μπορεί να προκληθεί ηλεκτροπληξία ή πυρκαγιά.
- Μην υπερφορτώνετε το ψυγείο με υπερβολική ποσότητα τροφίμων. Αν υπερφορτωθεί το ψυγείο, όταν ανοίγετε την πόρτα τα τρόφιμα μπορεί να πέσουν και να σας κτυπήσουν ή να προξενήσουν ζημιά στο ψυγείο. Ποτέ μην τοποθετείτε αντικείμενα πάνω στο ψυγείο. Διαφορετικά μπορεί να πέσουν όταν ανοίγετε ή κλείνετε την πόρτα του ψυγείου.
- Επειδή για τη φύλαξή τους απαιτούνται ακριβείς συνθήκες θερμοκρασίας, δεν πρέπει να φυλάσσονται στο ψυγείο εμβόλια, φάρμακα ευαίσθητα στη θερμοκρασία, επιστημονικά υλικά κλπ.
- Το ψυγείο θα πρέπει να αποσυνδέεται από το ρεύμα αν δεν πρόκειται να

χρησιμοποιηθεί για μεγάλο χρονικό διάστημα. Ένα ενδεχόμενο πρόβλημα στο καλώδιο ρεύματος μπορεί να προκαλέσει πυρκαγιά.

- Τα άκρα του φις ρευματοληψίας πρέπει να καθαρίζονται τακτικά, αλλιώς μπορεί να προκληθεί πυρκαγιά.
- Τα άκρα του φις πρέπει να καθαρίζονται τακτικά με ένα στεγνό πανί, αλλιώς μπορεί να προκληθεί πυρκαγιά.
- Το ψυγείο μπορεί να μετακινηθεί αν τα ρυθμιζόμενα πόδια δεν έχουν ρυθμιστεί ώστε να έχουν σταθερή επαφή με το δάπεδο. Η σωστή στερέωση των ρυθμιζόμενων ποδιών στο δάπεδο μπορεί να αποτρέψει τη μετακίνηση του ψυγείου.
- Όταν μεταφέρετε το ψυγείο μην το κρατάτε από τη λαβή της πόρτας. Διαφορετικά, αυτή μπορεί να σπάσει.
- Όταν χρειαστεί να εγκαταστήσετε το ψυγείο σας δίπλα σε άλλο ψυγείο ή καταψύκτη, η απόσταση ανάμεσα στις συσκευές θα πρέπει να είναι τουλάχιστον 8 εκ. Διαφορετικά, μπορεί να σχηματιστεί υγρασία στα γειτονικά πλευρικά τοιχώματα.

Για προϊόντα με διανομέα νερού:

Η πίεση του νερού δικτύου δεν θα πρέπει να είναι μικρότερη από 1 bar. Η πίεση του νερού δικτύου δεν θα πρέπει να είναι μεγαλύτερη από 8 bar.

- Χρησιμοποιείτε μόνο πόσιμο νερό.

Ασφάλεια των παιδιών

- Αν το ψυγείο σας διαθέτει κλειδαριά, πρέπει να φυλάτε το κλειδί μακριά από παιδιά.
- Τα παιδιά πρέπει να βρίσκονται υπό επίβλεψη ώστε να μην επεμβαίνουν στο προϊόν.

Προειδοποίηση HCA (Για συσκευές Ψύξης - Θέρμανσης)

Αν το ψυκτικό σύστημα της συσκευής σας περιέχει R600a:

Το αέριο αυτό είναι εύφλεκτο. Για το λόγο αυτό, προσέχετε να μην προκληθεί ζημιά στο ψυκτικό σύστημα και τις σωληνώσεις του κατά τη χρήση και τη μεταφορά της συσκευής. Σε περίπτωση ζημιάς, κρατήστε τη συσκευή σας μακριά από ενδεχόμενες πηγές φωτιάς οι οποίες μπορούν να κάνουν το προϊόν να πιάσει φωτιά και αερίστε το χώρο στον οποίο είναι τοποθετημένη η μονάδα.

Αγνοήστε αυτή την προειδοποίηση αν το ψυκτικό σύστημα της συσκευής σας περιέχει R134a.

Ο τύπος αερίου που χρησιμοποιείται στο προϊόν αναφέρεται στην πινακίδα στοιχείων η οποία βρίσκεται πάνω στο αριστερό τοίχωμα στο εσωτερικό του ψυγείου.

Σε καμία περίπτωση μην πετάξετε το προϊόν σε φωτιά.

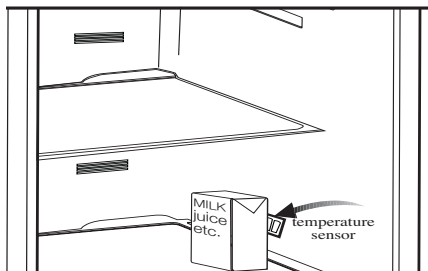
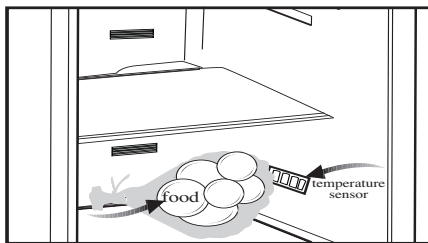
Τι πρέπει να κάνετε για εξοικονόμηση ενέργειας

- Μην αφήνετε τις πόρτες του ψυγείου σας ανοικτές για μεγάλο χρονικό διάστημα.
- Μην τοποθετείτε ζεστά φαγητά ή ποτά στο ψυγείο σας.
- Μην υπερφορτώνετε το ψυγείο σας, ώστε να μην εμποδίζεται η κυκλοφορία αέρα στο εσωτερικό του.
- Μην τοποθετείτε το ψυγείο σας σε απ' ευθείας ηλιακό φως ή κοντά σε συσκευές που εκπέμπουν θερμότητα όπως φούρνους, πλυντήρια πιάτων ή σώματα θέρμανσης.
- Φροντίζετε να διατηρείτε τα τρόφιμα σε κλειστά δοχεία.
- Για προϊόντα με χώρο κατάψυξης: Μπορείτε να φυλάξετε τη μέγιστη ποσότητα τροφίμων στην κατάψυξη όταν αφαιρέσετε το ράφι ή το συρτάρι της κατάψυξης. Η αναφερόμενη τιμή κατανάλωσης ενέργειας για το ψυγείο σας προσδιορίστηκε ενώ είχε αφαιρεθεί το ράφι ή το συρτάρι της κατάψυξης και με το μέγιστο φορτίο τροφίμων. Δεν υπάρχει πρόβλημα από τη χρήση ραφιού ή συρταριού ανάλογα με τα σχήματα και τα μεγέθη των τροφίμων που πρόκειται να καταψυχθούν.
- Η απόψυξη των κατεψυγμένων τροφίμων στο χώρο συντήρησης θα παρέχει και εξοικονόμηση ενέργειας και καλύτερη διατήρηση της ποιότητας των τροφίμων.

Υποδείξεις για το χώρο νωπών τροφίμων

* ΠΡΟΑΙΡ.

- Μην αφήνετε τρόφιμα να έρθουν σε επαφή με τον αισθητήρα θερμοκρασίας στο χώρο νωπών τροφίμων. Για να διατηρήσετε το χώρο νωπών τροφίμων σε ιδανική θερμοκρασία αποθήκευσης, ο αισθητήρας δεν πρέπει να εμποδίζεται από τρόφιμα.
- Μην τοποθετείτε ζεστά τρόφιμα μέσα στη συσκευή.



3 Εγκνσταση

- i** Παρακαλούμε να θυμάστε ότι δεν θα θεωρείται υπεύθυνος ο κατασκευαστής αν δεν τηρηθούν οι πληροφορίες που δίνονται στο εγχειρίδιο οδηγιών.

Προετοιμασία

- Το ψυγείο σας θα πρέπει να εγκατασταθεί σε απόσταση τουλάχιστον 30 εκ. από πηγές θερμότητας όπως εστίες μαγειρέματος, φούρνους, σώματα κεντρικής θέρμανσης και σόμπες και τουλάχιστον 5 εκ. μακριά από ηλεκτρικούς φούρνους και δεν θα πρέπει να τοποθετείται σε μέρη όπου δέχεται απ' ευθείας ηλιακή ακτινοβολία.
- Η θερμοκρασία περιβάλλοντος του δωματίου που τοποθετείτε το ψυγείο σας θα πρέπει να είναι τουλάχιστον 10°C. Η λειτουργία του ψυγείου σας σε πιο κρύες συνθήκες από αυτές δεν συνιστάται από την άποψη της απόδοσής του.
- Παρακαλούμε να φροντίζετε να διατηρείτε το εσωτερικό του ψυγείου σας σχολαστικά καθαρό.
- Αν πρέπει να εγκατασταθούν δύο ψυγεία το ένα δίπλα στο άλλο, θα πρέπει να υπάρχει μεταξύ τους απόσταση τουλάχιστον 2 εκ.
- Όταν θέσετε το ψυγείο σε λειτουργία για πρώτη φορά, παρακαλούμε τηρείτε τις ακόλουθες οδηγίες κατά τις αρχικές έξι ώρες.
 - Η πόρτα δεν θα πρέπει να ανοίγει συχνά.
 - Το ψυγείο θα πρέπει να λειτουργήσει κενό, χωρίς τρόφιμα στο εσωτερικό του.
 - Μην αποσυνδέσετε το ψυγείο σας από το ρεύμα. Αν συμβεί μια ανεξέλεγκτη διακοπή ρεύματος, δείτε τις προειδοποιήσεις στην ενότητα "Συνιστώμενες λύσεις για προβλήματα".
- Η αρχική συσκευασία και τα αφρώδη υλικά θα πρέπει να φυλαχτούν για μελλοντικές μεταφορές ή μετακόμιση.

Σημεία που πρέπει να προσεχτούν κατά τη μεταφορά του προϊόντος

1. Θα πρέπει να αδειάσετε και να καθαρίσετε το ψυγείο σας πριν από οποιαδήποτε μεταφορά.
2. Πριν τοποθετήσετε πάλι το ψυγείο στη συσκευασία του, τα ράφια, τα αξεσουάρ, το συρτάρι λαχανικών κλπ. θα πρέπει να στερεωθούν με χρήση κολλητικής ταινίας για προστασία από τα τραντάγματα.
3. Η συσκευασία θα πρέπει να ασφαλιστεί με ταινίες κατάλληλου πάχους και γερά σχοινιά και θα πρέπει να ακολουθούνται οι κανόνες μεταφοράς που είναι τυπωμένοι στο κιβώτιο.

Μην ξεχνάτε...

Κάθε υλικό που ανακυκλώνεται είναι μια απαραίτητη πηγή υλικών προς όφελος της φύσης και των εθνικών μας πόρων.

Ο δείκτης της κατηγορίας κλίματος της συσκευής σας δίνεται στην πινακίδα στοιχείων που βρίσκεται στο εσωτερικό της συσκευής. Αυτός ο δείκτης προσδιορίζει τις κατάλληλες θερμοκρασίες περιβάλλοντος λειτουργίας, όπως εξηγείται πιο κάτω.

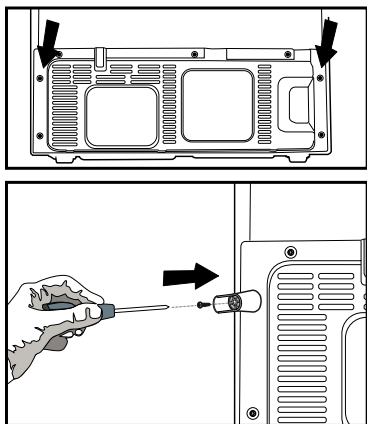
Κατηγορία κλίματος	Θερμοκρασίες περιβάλλοντος
SN	+10 °C έως 32 °C
N	+16 °C έως 32 °C
ST	+18 °C έως 38 °C
T	+18 °C έως 43 °C
SN-ST	+10 °C έως 38 °C
SN-T	+10 °C έως 43 °C

Αν επιθυμείτε να συμβάλετε στην ανακύκλωση των υλικών συσκευασίας, μπορείτε να πάρετε περισσότερες πληροφορίες από τους περιβαλλοντικούς φορείς ή τις τοπικές αρχές.

Πριν θέσετε σε λειτουργία το ψυγείο σας

Πριν αρχίσετε να χρησιμοποιείτε το ψυγείο σας ελέγξτε τα εξής:

1. Είναι το εσωτερικό του ψυγείου στεγνό και μπορεί ο αέρας να κυκλοφορεί ανεμπόδιστα στο πίσω του μέρος;
2. Εισάγετε τις 2 πλαστικές σφήνες στο πίσω κάλυμμα αερισμού, όπως δείχνει η ακόλουθη εικόνα. Για να το κάνετε αυτό, αφαιρέστε τις βίδες από το προϊόν και χρησιμοποιήστε τις βίδες που παρέχονται



στο ίδιο σακουλάκι. Οι πλαστικές σφήνες θα παρέχουν την απαιτούμενη απόσταση ανάμεσα στο ψυγείο σας και τον τοίχο ώστε να επιτρέπεται η κυκλοφορία του αέρα.

3. Καθαρίστε το εσωτερικό του ψυγείου όπως συνιστάται στην ενότητα “Συντήρηση και καθαρισμός”.
4. Συνδέστε το ψυγείο στην πρίζα στον τοίχο. Όταν ανοιχτεί η πόρτα, θα ανάψει το αντίστοιχο εσωτερικό φως.
5. Θα ακούσετε ένα θόρυβο καθώς ξεκινά η λειτουργία του συμπιεστή. Το υγρό και τα αέρια που βρίσκονται στο κλειστό κύκλωμα ψύξης μπορεί επίσης να προκαλέσουν θόρυβο, ακόμα και όταν ο

συμπιεστής δεν λειτουργεί, πράγμα που είναι φυσιολογικό.

6. Οι μπροστινές ακμές του ψυγείου μπορεί να είναι θερμές στο άγγιγμα. Αυτό είναι φυσιολογικό. Οι περιοχές αυτές έχουν σχεδιαστεί να είναι θερμές ώστε να αποφεύγεται η συμπύκνωση.

Ηλεκτρική σύνδεση

Συνδέστε το ψυγείο σας σε γειωμένη πρίζα η οποία προστατεύεται από ασφάλεια κατάλληλης ονομαστικής τιμής ρεύματος.

Σημαντική παρατήρηση:

- Η σύνδεση πρέπει να συμμορφώνεται με τους εθνικούς κανονισμούς.
- Το φως του καλωδίου ρεύματος πρέπει να είναι εύκολα προσπελάσιμο μετά την εγκατάσταση.
- Η τάση λειτουργίας και η επιτρεπόμενη τιμή ασφάλειας προστασίας αναφέρονται στην ενότητα “Τεχνικές Προδιαγραφές”.
- Η καθοριζόμενη ηλεκτρική τάση πρέπει να είναι ίδια με την τάση ρεύματος του δικτύου σας.
- Δεν πρέπει να χρησιμοποιούνται καλώδια προέκτασης και πολύπριζα για τη σύνδεση στο ρεύμα.

⚠ Αν ένα καλώδιο ρεύματος έχει υποστεί ζημιά, αυτό πρέπει να αντικατασταθεί από αδειούχο ειδικό τεχνικό.

⚠ Δεν επιτρέπεται η λειτουργία της συσκευής πριν την επισκευή! Υπάρχει κίνδυνος ηλεκτροπληξίας!

Διάθεση των υλικών συσκευασίας

Τα υλικά συσκευασίας μπορεί να είναι επικίνδυνα για τα παιδιά. Κρατάτε τα υλικά συσκευασίας μακριά από παιδιά ή πετάξτε τα αφού τα διαχωρίσετε ανάλογα με τις οδηγίες για απόβλητα. Μην τα πετάξετε μαζί με τα κοινά οικιακά απορρίμματα.

Η συσκευασία του ψυγείου σας έχει παραχθεί από ανακυκλώσιμα υλικά.

Διάθεση του παλιού σας ψυγείου

Απορρίψτε την παλιά σας συσκευή με τρόπο φιλικό προς το περιβάλλον.

- Σχετικά με τον τρόπο απόρριψης του ψυγείου σας μπορείτε να συμβουλευτείτε τον εξουσιοδοτημένο έμπορο που συνεργάζεστε ή τις δημοτικές σας αρχές.

Πριν πετάξετε το ψυγείο σας, κόψτε το καλώδιο ρεύματος, και, αν υπάρχουν κλειδαριές σε πόρτες, καταστήστε τις μη λειτουργικές, για την προστασία των παιδιών από οποιονδήποτε κίνδυνο.

Τοποθέτηση και εγκατάσταση

Προσοχή: Ποτέ μην συνδέετε το ψυγείο στην πρίζα κατά τη διάρκεια της εγκατάστασης. Αλλιώς, μπορεί να δημιουργηθεί κίνδυνος θανάτου ή σοβαρού τραυματισμού.

Αν η πόρτα εισόδου του χώρου όπου θα τοποθετηθεί το ψυγείο δεν είναι αρκετά πλατιά για να περάσει το ψυγείο, τότε καλέστε το εξουσιοδοτημένο σέρβις για να αφαιρέσει την πόρτα του ψυγείου σας και να το περάσει μέσα από την πόρτα με το πλάι.

1. Εγκαταστήστε το ψυγείο σε θέση που προσφέρει ευκολία στη χρήση.
2. Κρατήστε το ψυγείο σας μακριά από πηγές θερμότητας, μέρη με υγρασία και από απ' ευθείας ηλιακό φως.
3. Πρέπει να υπάρχει επαρκής κυκλοφορία αέρα γύρω από το ψυγείο σας για να επιτυγχάνεται αποδοτική λειτουργία. Αν το ψυγείο πρέπει να τοποθετηθεί σε εσοχή στον τοίχο, θα πρέπει να υπάρχει ελάχιστη απόσταση 5 εκ. από το ταβάνι και 5 εκ. από τον τοίχο.

Αν το πάτωμα είναι καλυμμένο με χαλί, το προϊόν σας θα πρέπει να ανυψωθεί κατά 2.5 εκ. από το δάπεδο.

4. Τοποθετήστε το ψυγείο σας σε δάπεδο με επίπεδη επιφάνεια για να αποφευχθούν τα τραντάγματα.

5. Μην αφήνετε το ψυγείο σας σε θερμοκρασίες περιβάλλοντος χώρου μικρότερες από 10°C.

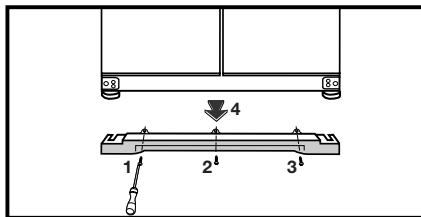
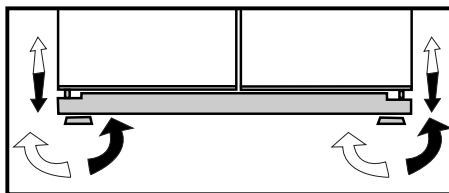
Ρύθμιση ευστάθειας στο δάπεδο

Αν το ψυγείο σας δεν είναι καλά ισορροπημένο:

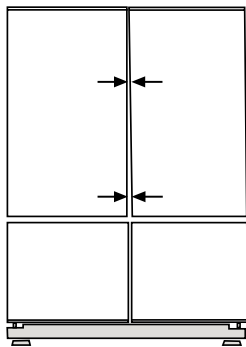
1- Πριν τη διαδικασία ξεβιδώστε το κάλυμμα αερισμού ξεβιδώνοντας τις βίδες του, όπως δείχνει η εικόνα. Μπορείτε να ισορροπήσετε το ψυγείο σας περιστρέφοντας τα μπροστινά πόδια του, όπως δείχνει η εικόνα. Η γωνία όπου βρίσκεται το πόδι χαμηλώνει όταν περιστρέψετε το πόδι στην κατεύθυνση του μαύρου βέλους και ανυψώνεται όταν το γυρίζετε στην αντίθετη κατεύθυνση. Η διαδικασία αυτή θα γίνει πιο εύκολη αν κάποιος σας βοηθήσει ανυψώνοντας ελαφρά το ψυγείο.

2. Αφού διορθωθεί το θέμα της ευστάθειας, τοποθετήστε πάλι το κάλυμμα αερισμού και σφίξτε τις βίδες.

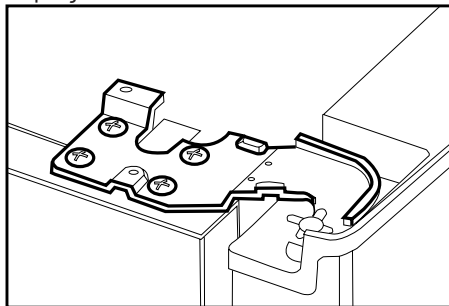
3. Αφαιρέστε τις βίδες που συγκρατούν το κάτω κάλυμμα αερισμού χρησιμοποιώντας σταυροκατσάβιδο.



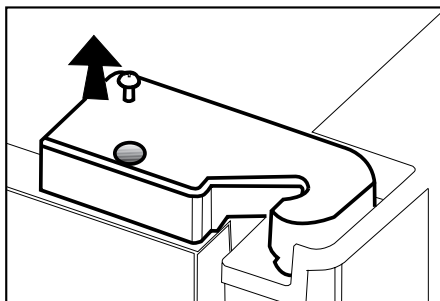
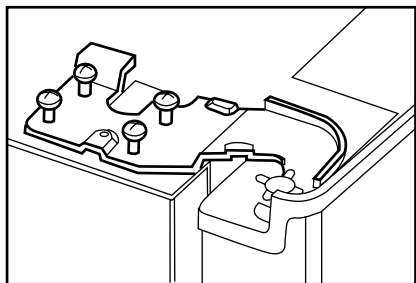
Ρύθμιση του διακένου από την πάνω πόρτα



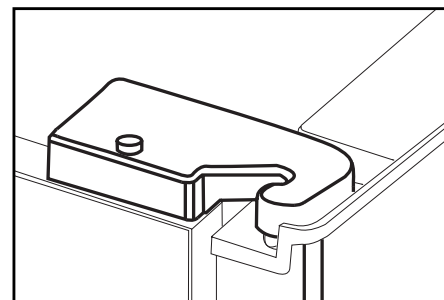
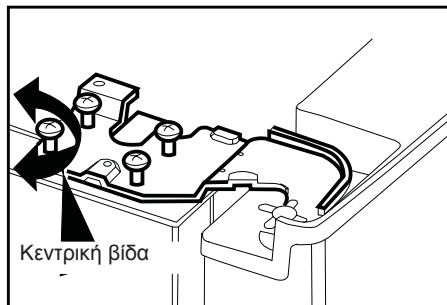
- Μπορείτε να ρυθμίσετε το διάκενο ανάμεσα στις πόρτες του ψυγείου όπως δείχνουν οι εικόνες. Τα ράφια του ψυγείου θα πρέπει να είναι κενά κατά τη ρύθμιση του ύψους στις πόρτες.



- Ρυθμίστε σωστά την πόρτα όπως επιθυμείτε αφού χαλαρώσετε τις βίδες.



- Με ένα κατσαβίδι αφαιρέστε τη βίδα του καλύμματος του πάνω μεντεσέ της πόρτας που θέλετε να ρυθμίσετε.

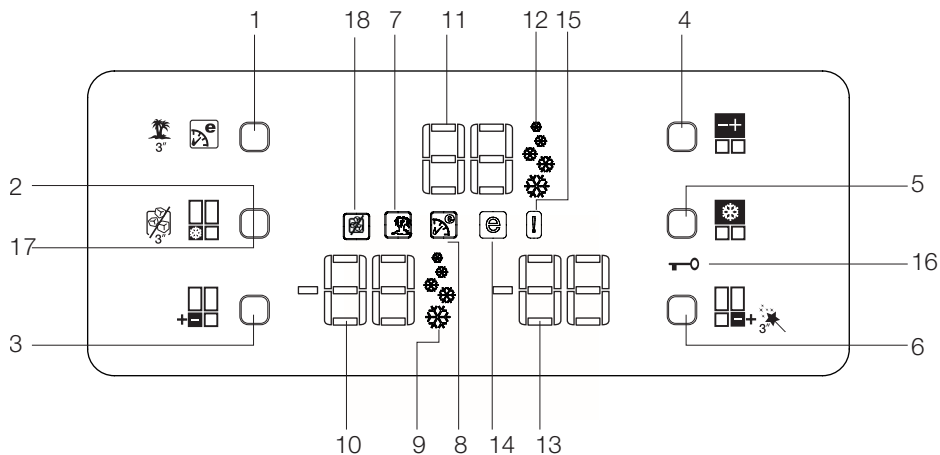


- Τοποθετήστε πάλι το κάλυμμα του μεντεσέ και στερεώστε με τη βίδα.

4 Χρήση του ψυγείου σας

Πίνακας ενδείξεων

Αυτός ο πίνακας ενδείξεων με σύστημα αφής σας επιτρέπει να ρυθμίσετε τη θερμοκρασία χωρίς να ανοίγετε την πόρτα του ψυγείου σας. Για να ρυθμίσετε τη θερμοκρασία, απλά αγγίξετε το αντίστοιχο κουμπί με το δάχτυλό σας.



1. Κουμπί Πολύ οικονομικής λειτουργίας/ Διακοπών
2. Κουμπί Ταχείας Κατάψυξης
3. Κουμπί ρύθμισης θερμοκρασίας χώρου Κατάψυξης
4. Κουμπί ρύθμισης θερμοκρασίας χώρου Συντήρησης
5. Κουμπί Ταχείας Ψύξης
6. Κουμπί ρύθμισης θερμοκρασίας χώρου Ευέλικτης Ζώνης
7. Ένδειξη λειτουργίας Διακοπών
8. Ένδειξη Πολύ οικονομικής λειτουργίας
9. Ένδειξη Λειτουργίας Ταχείας Κατάψυξης
10. Ένδειξη θερμοκρασίας χώρου Κατάψυξης
11. Ένδειξη θερμοκρασίας χώρου Συντήρησης
12. Ένδειξη λειτουργίας Ταχείας Ψύξης
13. Ένδειξη θερμοκρασίας χώρου Ευέλικτης Ζώνης
14. Ένδειξη Οικονομικής λειτουργίας
15. Ένδειξη Κατάστασης σφάλματος
16. Ένδειξη κλειδώματος πλήκτρων
17. Ένδειξη Ακύρωσης παραγωγής Πάγου
18. Κουμπί Ακύρωσης παραγωγής Πάγου

! Οι εικόνες σ' αυτό το εγχειρίδιο οδηγιών είναι σχηματικές και ενδέχεται να μην ανταποκρίνονται ακριβώς στο προϊόν σας. Αν ορισμένα τμήματα δεν περιλαμβάνονται στο προϊόν που έχετε προμηθευτεί, τότε ισχύουν για άλλα μοντέλα.

1. Κουμπί Πολύ οικονομικής λειτουργίας/Διακοπών

Πατήστε σύντομα αυτό το κουμπί για να ενεργοποιήσετε την Πολύ οικονομική λειτουργία. Για να ενεργοποιήσετε τη λειτουργία Διακοπών πατήστε και κρατήστε πατημένο αυτό το πλήκτρο για 3 δευτερόλεπτα. Για να απενεργοποιήσετε την επιλεγμένη λειτουργία, πατήστε αυτό το κουμπί πάλι.

2. Κουμπί Ταχείας κατάψυξης

Για να ενεργοποιήσετε τη λειτουργία Ταχείας κατάψυξης πατήστε σύντομα αυτό το κουμπί. Για να απενεργοποιήσετε την επιλεγμένη λειτουργία, πατήστε αυτό το κουμπί πάλι.

3. Κουμπί ρύθμισης θερμοκρασίας χώρου Κατάψυξης

Πατήστε το κουμπί αυτό για να ρυθμίσετε τη θερμοκρασία του χώρου κατάψυξης σε -18, -20, -22, -24, -18... αντίστοιχα. Πατήστε αυτό το κουμπί για να ρυθμίσετε την επιθυμητή θερμοκρασία για το χώρο Κατάψυξης.

4. Κουμπί ρύθμισης θερμοκρασίας χώρου Συντήρησης

Πατήστε το κουμπί αυτό για να ρυθμίσετε τη θερμοκρασία του χώρου Συντήρησης σε 8, 6, 4, 2, 8... αντίστοιχα. Πατήστε αυτό το κουμπί για να ρυθμίσετε την επιθυμητή θερμοκρασία για το χώρο Συντήρησης.

5. Κουμπί Ταχείας Ψύξης

Για να ενεργοποιήσετε την λειτουργία Ταχείας Ψύξης πατήστε σύντομα αυτό το κουμπί. Για να απενεργοποιήσετε την επιλεγμένη λειτουργία, πατήστε αυτό το κουμπί πάλι.

6. Κουμπί ρύθμισης θερμοκρασίας χώρου Ευέλικτης ζώνης

Μπορείτε να ρυθμίσετε το χώρο Ευέλικτης ζώνης να λειτουργεί είτε ως Κατάψυξη είτε ως Ψύκτης. Πατήστε και κρατήστε πατημένο

παρατεταμένα (για 3 δευτερόλεπτα) αυτό το κουμπί για να ρυθμίσετε το χώρο Ευέλικτης ζώνης να λειτουργεί είτε ως Κατάψυξη είτε ως Ψύκτης. Εργοστασιακά αυτός ο χώρος έχει ρυθμιστεί να λειτουργεί ως χώρος Κατάψυξης.

Αν ο χώρος Ευέλικτης ζώνης έχει ρυθμιστεί να λειτουργεί ως Κατάψυξη, τότε η θερμοκρασία του χώρου Ευέλικτης ζώνης θα αλλάζει ως -18, -20, -22, -24, -18... αντίστοιχα κάθε φορά που πατάτε αυτό το κουμπί. Αν ο χώρος Ευέλικτης ζώνης έχει ρυθμιστεί να λειτουργεί ως Ψύκτης, τότε η θερμοκρασία του χώρου Ευέλικτης ζώνης θα αλλάζει ως 10, 8, 6, 4, 2, 0, -6, ... αντίστοιχα κάθε φορά που πατάτε αυτό το κουμπί.

7. Ένδειξη λειτουργίας Διακοπών

Δείχνει ότι η λειτουργία Διακοπών είναι ενεργή. Αν αυτή η λειτουργία είναι ενεργή, η ένδειξη για το χώρο συντήρησης είναι “-” και δεν υπάρχει ψύξη στο χώρο συντήρησης. Οι άλλοι χώροι θα ψύχονται σύμφωνα με τη θερμοκρασία που έχει ρυθμιστεί γι’ αυτούς.

Για να απενεργοποιήσετε αυτή τη λειτουργία, πατήστε πάλι το σχετικό κουμπί.

8. Ένδειξη Πολύ οικονομικής λειτουργίας

Δείχνει ότι η Πολύ οικονομική λειτουργία είναι ενεργή. Αν αυτή η λειτουργία είναι ενεργή, το ψυγείο σας θα ανιχνεύσει αυτόματα τις περιόδους ελαχιστοποιημένης χρήσης και στη διάρκεια αυτών των περιόδων θα εκτελείται ενεργειακά αποδοτική ψύξη. Όσο εκτελείται ενεργειακά αποδοτική ψύξη θα είναι αναμμένη η ένδειξη οικονομικής λειτουργίας.

Για να απενεργοποιήσετε αυτή τη λειτουργία, πατήστε πάλι το σχετικό κουμπί.

9. Ένδειξη λειτουργίας Ταχείας Κατάψυξης

Δείχνει ότι η λειτουργία Ταχείας κατάψυξης είναι ενεργή. Χρησιμοποιείτε αυτή τη λειτουργία όταν τοποθετείτε νωπά τρόφιμα στο χώρο κατάψυξης ή όταν χρειάζεστε πάγο. Όταν είναι ενεργή αυτή η λειτουργία, το ψυγείο σας θα λειτουργεί αδιάκοπα για 6 ώρες.

Για να απενεργοποιήσετε αυτή τη λειτουργία, πατήστε πάλι το σχετικό κουμπί.

10. Ένδειξη θερμοκρασίας χώρου Κατάψυξης

Δείχνει τη θερμοκρασία που ρυθμίστηκε για το χώρο Κατάψυξης.

11. Ένδειξη θερμοκρασίας χώρου Συντήρησης

Δείχνει τη θερμοκρασία που ρυθμίστηκε για το Χώρο Συντήρησης.

12. Ένδειξη λειτουργίας Ταχείας Ψύξης

Δείχνει ότι η λειτουργία Ταχείας Ψύξης είναι ενεργή. Χρησιμοποιείτε αυτή τη λειτουργία όταν τοποθετείτε νωπά τρόφιμα στο χώρο συντήρησης ή όταν θέλετε να κρυώσει γρήγορα το φαγητό. Όταν είναι ενεργή αυτή η λειτουργία, το ψυγείο σας θα λειτουργεί αδιάκοπα για 2 ώρες.

Για να απενεργοποιήσετε αυτή τη λειτουργία, πατήστε πάλι το σχετικό κουμπί.

13. Ένδειξη θερμοκρασίας χώρου Ευέλικτης ζώνης

Δείχνει τη θερμοκρασία που έχει ρυθμιστεί για το χώρο Ευέλικτης ζώνης.

14. Ένδειξη Οικονομικής λειτουργίας

Δείχνει ότι το ψυγείο λειτουργεί σε ενεργειακά αποδοτική λειτουργία. Θερμοκρασία χώρου Συντήρησης Αυτή η ένδειξη θα είναι ενεργή αν η λειτουργία τεθεί σε -18 ή αν εκτελείται ενεργειακά αποδοτική ψύξη λόγω της Πολύ οικονομικής λειτουργίας.

15. Ένδειξη Κατάστασης σφάλματος

Αυτή η ένδειξη θα ενεργοποιηθεί αν η ψύξη του ψυγείου σας δεν είναι επαρκής ή αν υπάρχει βλάβη του αισθητήρα. Όταν είναι ενεργή αυτή η ένδειξη, η ένδειξη θερμοκρασίας χώρου Κατάψυξης θα δείχνει "E" και η ένδειξη θερμοκρασίας χώρου Συντήρησης θα δείχνει αριθμούς όπως "1, 2, 3...". Αυτοί οι αριθμοί στην ένδειξη παρέχουν πληροφορίες στο προσωπικό σέρβις σχετικά με το σφάλμα.

16. Ένδειξη κλειδώματος πλήκτρων

Χρησιμοποιήστε αυτή τη λειτουργία όταν δεν θέλετε να αλλάξει κανείς τη ρύθμιση θερμοκρασίας του ψυγείου σας. Για να ενεργοποιήσετε αυτή τη δυνατότητα, πατήστε ταυτόχρονα παρατεταμένα (για 3 δευτερόλεπτα) το κουμπί Ταχείας Ψύξης και το κουμπί ρύθμισης χώρου Ευέλικτης ζώνης.

Για να απενεργοποιήσετε αυτή τη λειτουργία, πατήστε πάλι τα σχετικά κουμπιά.

17. Κουμπί Ακύρωσης παραγωγής Πάγου

Για να σταματήσετε την παραγωγή πάγου, πατήστε το κουμπί Ακύρωσης παραγωγής Πάγου για 3 δευτερόλεπτα. Όταν επιλεγεί η Ακύρωση παραγωγής Πάγου, δεν θα αποστέλλεται νερό στο κουτί πάγου. Ωστόσο, μπορεί να έχει μείνει πάγος στην παγοθήκη που μπορείτε να τον πάρετε. Για να επανεκκινήσετε την παραγωγή πάγου, πρέπει να πατήσετε το κουμπί Ακύρωσης παραγωγής Πάγου για 3 δευτερόλεπτα.

18. Εργαλείο Ακύρωσης

παραγωγής Πάγου

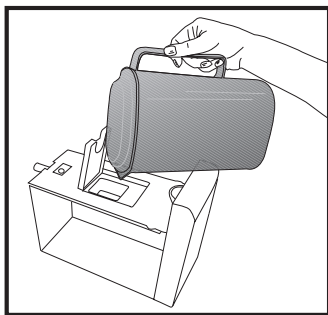
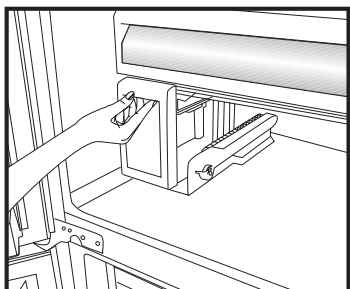
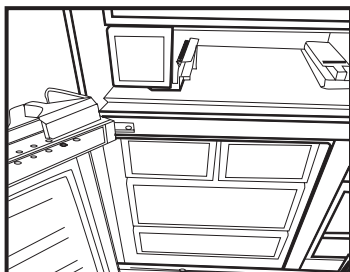
Αν δεν θέλετε να λαμβάνετε πάγο από το ψυγείο σας, χρειάζεται να χρησιμοποιήσετε αυτή τη λειτουργία. Μπορείτε να χρησιμοποιήσετε αυτή τη λειτουργία πατώντας το κουμπί Ακύρωσης παραγωγής Πάγου για 3 δευτερόλεπτα.

Ειδοποίηση Ανοικτής Πόρτας:

Σε περίπτωση που οποιαδήποτε από τις πόρτες χώρου συντήρησης ή χώρου Ευέλικτης ζώνης παραμείνει ανοικτή για τουλάχιστον 1 λεπτό, θα ενεργοποιηθεί και θα ηχήσει η Ειδοποίηση ανοικτής πόρτας. Για να σταματήσει ο ήχος της ειδοποίησης, απλά πατήστε οποιοδήποτε κουμπί στον πίνακα ενδείξεων ή κλείστε την ανοικτή πόρτα.

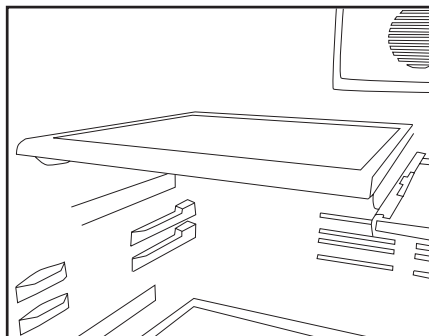
Αυτόματο σύστημα Icematic

Το αυτόματο σύστημα Icematic σας επιτρέπει να αποκτήσετε εύκολα πάγο από το ψυγείο σας. Αφαιρέστε το δοχείο νερού από το χώρο συντήρησης, γεμίστε το με νερό και τοποθετήστε το πάλι στη θέση του για να έχετε πάγο από το σύστημα Icematic. Ο πρώτος πάγος θα είναι έτοιμος σε 2 ώρες στο συρτάρι πάγου που βρίσκεται στο χώρο κατάψυξης. Αν το δοχείο νερού είναι τελείως γεμάτο μπορείτε να αποκτήσετε 70 παγάκια. Αλλάξτε το νερό στο δοχείο νερού αν παραμείνει εκεί για περισσότερο από 2-3 εβδομάδες.



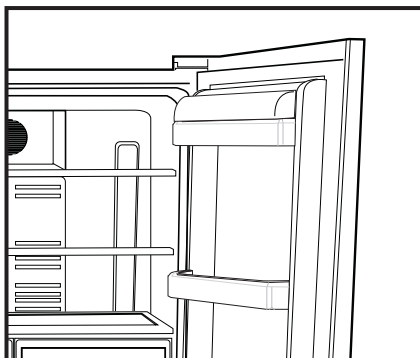
Συρόμενα ράφια θαλάμου με πίσω σύστημα ανάρτησης

Τα συρόμενα ράφια θαλάμου με πίσω σύστημα ανάρτησης μπορούν να κινηθούν προς τα εμπρός και πίσω. Επίσης μπορείτε να ρυθμίσετε το ύψος τους αφαιρώντας τα και τοποθετώντας τα σε υψηλότερη ή χαμηλότερη θέση. Για να αφαιρέσετε το ράφι, ανυψώστε το ελαφρά και τραβήξτε το προς το μέρος σας.



Τμήμα για βούτυρο & τυρί

Τρόφιμα όπως βούτυρο, τυρί και μαργαρίνη αποθηκεύονται στο χώρο αυτόν που διαθέτει και κάλυμμα.



Θήκη αυγών

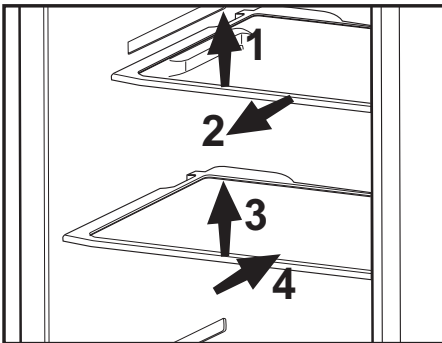
- Μπορείτε να τοποθετήσετε την αυγοθήκη στο επιθυμητό ράφι πόρτας ή κυρίως ράφι.
- Ποτέ μην τοποθετήσετε την αυγοθήκη στο χώρο κατάψυξης.

Συρόμενα ράφια θαλάμου

- Μπορείτε να τραβήξετε τα συρόμενα ράφια θαλάμου ανυψώνοντάς τα ελαφρά από μπροστά και κινώντας τα πίσω και εμπρός. Όταν τα τραβάτε προς το μέρος σας σταματούν σε ένα σημείο για να μπορέσετε να φθάσετε τα τρόφιμα που είναι τοποθετημένα στο πίσω μέρος του ραφίου. Αν τα τραβήξετε αφού τα ανυψώσετε ελαφρά στο δεύτερο σημείο στοπ, τότε το ράφι θαλάμου θα απελευθερωθεί.

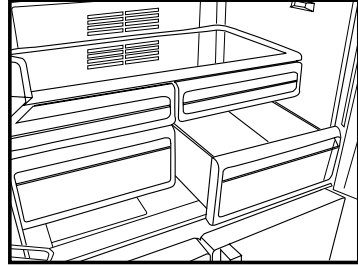
Πρέπει να κρατάτε το ράφι σταθερά και από το κάτω μέρος για να εμποδίσετε την ανατροπή του. Το ράφι θαλάμου τοποθετείται πάνω στις ράγες στις πλευρές του θαλάμου του ψυγείου φέρνοντάς το σε ένα επίπεδο ψηλότερα ή χαμηλότερα.

Για να εφαρμόσει καλά το ράφι θαλάμου θα πρέπει να το σπρώξετε τελείως πίσω.



Συρτάρι λαχανικών

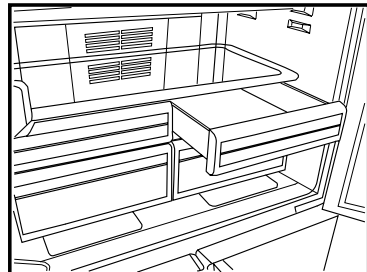
Τα συρτάρια λαχανικών του ψυγείου σας έχουν σχεδιαστεί ειδικά για να διατηρούν τα λαχανικά φρέσκα χωρίς να χάνουν την υγρασία τους. Για το σκοπό αυτό, η κυκλοφορία κρύου αέρα γίνεται γύρω από το συρτάρι λαχανικών ως σύνολο.



Χώρος Έντονης ψύξης

Οι χώροι Έντονης ψύξης επιτρέπουν στα τρόφιμα να παγώσουν ώστε να είναι έτοιμα για κατάψυξη. Μπορείτε επίσης να χρησιμοποιήσετε αυτούς τους χώρους για να αποθηκεύσετε τα τρόφιμά σας σε θερμοκρασία λίγων βαθμών κάτω από το χώρο συντήρησης.

Μπορείτε να αυξήσετε τον εσωτερικό όγκο του ψυγείου σας αφαιρώντας οποιονδήποτε από τους χώρους σνακ. Για να το κάνετε αυτό, τραβήξτε το θάλαμο προς το μέρος σας. Ο χώρος θα ακουμπήσει στο στοπ και θα σταματήσει. Αυτός ο χώρος θα απελευθερωθεί αν τον ανυψώσετε περίπου 1 εκ. και τον τραβήξετε προς το μέρος σας.

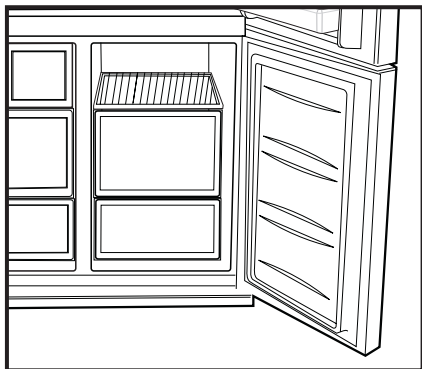


Περιστρεφόμενο κεντρικό τμήμα

Προορισμός του περιστρεφόμενου κεντρικού τμήματος είναι να εμποδίζει τον κρύο αέρα από το εσωτερικό του ψυγείου σας να διαφεύγει προς τα έξω. Το περιστρεφόμενο κεντρικό τμήμα είναι ότι αυτό αυξάνει τον καθαρό όγκο του χώρου συντήρησης. Τα κανονικά κεντρικά τμήματα καταλαμβάνουν ορισμένο μη χρησιμοποιήσιμο όγκο στο ψυγείο.

Χώρος φύλαξης Ευέλικτης ζώνης

Ο χώρος φύλαξης Ευέλικτης ζώνης του ψυγείου σας μπορεί να χρησιμοποιηθεί με οποιονδήποτε επιθυμητό τρόπο λειτουργίας ρυθμίζοντάς τον σε θερμοκρασίες συντήρησης (2/4/6/8 °C) ή κατάψυξης (-18/-20/-22/-24 °C). Μπορείτε να διατηρήσετε το χώρο στην επιθυμητή θερμοκρασία χρησιμοποιώντας το Κουμπί ρύθμισης θερμοκρασίας χώρου φύλαξης Ευέλικτης ζώνης. Η θερμοκρασία του χώρου φύλαξης Ευέλικτης ζώνης εκτός

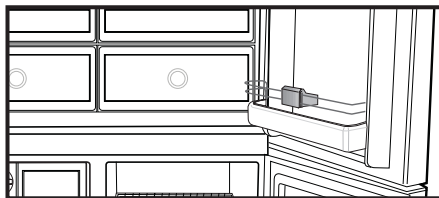


από τις τιμές θερμοκρασίας χώρου συντήρησης μπορεί να ρυθμιστεί επιπλέον στους 0 και 10 βαθμούς. Επίσης εκτός των θερμοκρασιών χώρου κατάψυξης μπορεί να ρυθμιστεί και στους -6 βαθμούς. Οι 0 βαθμοί χρησιμοποιούνται για φύλαξη των αλλαντικών για περισσότερο χρόνο και οι -6 βαθμοί χρησιμοποιούνται για διατήρηση των κρεατικών έως και για 2 εβδομάδες σε κατάσταση όπου μπορούν να κοπούν εύκολα.

i Η δυνατότητα αλλαγής σε χώρο συντήρησης ή σε χώρο κατάψυξης γίνεται εφικτή από ένα στοιχείο ψύξης που είναι τοποθετημένο στο κλειστό τμήμα (τμήμα συμπιεστή) πίσω από το ψυγείο. Κατά τη λειτουργία αυτού του στοιχείου μπορεί να ακουστούν ήχοι που μοιάζουν με τον ήχο του δεικτη δευτερολέπτων αναλογικού ρολογιού. Αυτό είναι φυσιολογικό και δεν αποτελεί ένδειξη δυσλειτουργίας.

Μπλε φως

Τα τρόφιμα που έχουν αποθηκευτεί στα συρτάρια λαχανικών που φωτίζονται με μπλε φως συνεχίζουν τη φωτοσύνθεση τους λόγω της επίδρασης του μήκους κύματος του μπλε φωτός και έτσι, διατηρούν τη φρεσκάδα τους και αυξάνεται το περιεχόμενο σε βιταμίνες.



5 Συντήρηση και καθαρισμός

- ⚠ Ποτέ μη χρησιμοποιήσετε βενζίνη, βενζόλιο ή παρόμοια υλικά για τον καθαρισμό.
- ⚠ Συνιστούμε να αποσυνδέετε τη συσκευή από την πρίζα πριν τον καθαρισμό.
- ⓘ Ποτέ μη χρησιμοποιείτε για τον καθαρισμό οποιοδήποτε αιχμηρό όργανο που χαράζει, σαπουνί, οικιακά καθαριστικά, απορρυπαντικά και γυαλιστικά κεριού.
- ⓘ Για να καθαρίσετε το περίβλημα του ψυγείου σας, χρησιμοποιήστε χλιαρό νερό και κατόπιν σκουπίστε το για να στεγνώσει.
- ⓘ Για να καθαρίσετε το εσωτερικό, χρησιμοποιήστε πανί που έχει υγρανθεί σε διάλυμα από μια κουταλιά του γλυκού μαγειρικής σόδας σε περίπου μισό λίτρο νερού. Κατόπιν σκουπίστε τις επιφάνειες για να στεγνώσουν.
- ⚠ Φροντίστε απαραίτητα να μην εισέλθει νερό στο περίβλημα της λάμπας και σε άλλα ηλεκτρικά εξαρτήματα.
- ⚠ Εάν το ψυγείο σας δεν πρόκειται να χρησιμοποιηθεί για μεγάλη χρονική περίοδο, αποσυνδέστε το καλώδιο ρεύματος από την πρίζα, αφαιρέστε όλα τα τρόφιμα, καθαρίστε το και αφήστε την πόρτα μισάνοιχτη.
- ⓘ Ελέγχετε τακτικά τις στεγανοποιήσεις στις πόρτες για να βεβαιωθείτε ότι είναι καθαρές και απαλλαγμένες από σωματίδια τροφίμων.
- ⓘ Για να αφαιρέσετε ένα ράφι πόρτας, αφαιρέστε όλα τα περιεχόμενα και κατόπιν απλά σπρώξτε το ράφι προς τα πάνω ώστε να βγει από τη βάση του.

Προστασία των πλαστικών επιφανειών

- ⓘ Μην τοποθετείτε υγρά λάδια ή φαγητά μαγειρεμένα σε λάδι στο ψυγείο σας σε μη σφραγισμένα δοχεία, επειδή προξενούν βλάβες στις πλαστικές επιφάνειες του ψυγείου σας. Σε περίπτωση που χυθεί ή αλειφτεί λάδι στις πλαστικές επιφάνειες, αμέσως καθαρίστε και ξεπλύνετε το επηρεαζόμενο μέρος της επιφάνειας με χλιαρό νερό.

6 Συνιστώμενες λύσεις για προβλήματα

Παρακαλούμε συμβουλευτείτε τη λίστα πριν καλέσετε το σέρβις. Έτσι μπορείτε να εξοικονομήσετε χρόνο και χρήματα. Η λίστα αυτή περιλαμβάνει συχνά παράπονα που δεν είναι αποτέλεσμα ελαττωμάτων της κατασκευής ή των χρησιμοποιούμενων υλικών. Ορισμένες από τις δυνατότητες που περιγράφονται εδώ ίσως να μην υπάρχουν στη συσκευή σας.

Το ψυγείο δεν λειτουργεί.
<ul style="list-style-type: none">• Έχει συνδεθεί το ψυγείο σωστά στο ρεύμα; Συνδέστε το φιν στην πρίζα στον τοίχο.• Μήπως έχει καεί η ασφάλεια της πρίζας στην οποία έχει συνδεθεί το ψυγείο ή η γενική ασφάλεια; Ελέγξτε την ασφάλεια.
Συμπύκνωση στα πλευρικά τοιχώματα του χώρου συντήρησης. (MULTI ZONE, COOL CONTROL και FLEXI ZONE)
<ul style="list-style-type: none">• Πολύ χαμηλές θερμοκρασίες περιβάλλοντος. Συχνό άνοιγμα και κλείσιμο της πόρτας. Πολύ υψηλή υγρασία περιβάλλοντος. Αποθήκευση τροφίμων που περιέχουν υγρά σε ανοικτά δοχεία. Η πόρτα έχει ξεχαστεί μισάνοιχτη.• Ρύθμιση του θερμοστάτη σε χαμηλότερη θερμοκρασία.• Μείωση του χρόνου που μένει ανοικτή η πόρτα ή λιγότερη συχνή χρήση της.• Κάλυψη με κατάλληλο υλικό του φαγητού που φυλάσσεται σε ανοικτά δοχεία.• Σκουπίστε τη συμπυκνωμένη υγρασία με στεγνό πανί και ελέγξτε αν επιμένει.
Ο συμπιεστής δεν λειτουργεί
<ul style="list-style-type: none">• Το προστατευτικό θερμικό του συμπιεστή θα ενεργοποιηθεί σε περίπτωση ξαφνικών διακοπών ρεύματος ή αν η συσκευή αποσυνδεθεί και συνδεθεί γρήγορα στο ρεύμα, όταν η πίεση του ψυκτικού μέσου στο σύστημα ψύξης του ψυγείου δεν έχει εξισορροπηθεί ακόμα.• Η λειτουργία του ψυγείου σας θα αρχίσει πάλι μετά από 6 λεπτά. Παρακαλούμε καλέστε το σέρβις αν το ψυγείο σας δεν ξεκινήσει πάλι μετά το τέλος αυτού του χρονικού διαστήματος.• Το ψυγείο βρίσκεται στον κύκλο απόψυξης. Αυτό είναι κανονικό για ψυγείο που δεν διαθέτει απόλυτα αυτόματη απόψυξη. Ο κύκλος απόψυξης λαμβάνει χώρα περιοδικά.• Το ψυγείο δεν έχει συνδεθεί στην πρίζα. Βεβαιωθείτε ότι το φιν έχει τοποθετηθεί σωστά στην πρίζα.• Έχουν γίνει σωστά οι ρυθμίσεις θερμοκρασίας; Υπάρχει διακοπή ρεύματος. Καλέστε την εταιρία σας παροχής ηλεκτρισμού.
Το ψυγείο ενεργοποιείται συχνά ή για πολλή ώρα.

<ul style="list-style-type: none"> • Το νέο σας ψυγείο μπορεί να είναι πλατύτερο από το παλαιό. Αυτό είναι πολύ φυσιολογικό. Τα μεγάλα ψυγεία λειτουργούν για μεγαλύτερο χρονικό διάστημα. • Η θερμοκρασία του περιβάλλοντος χώρου είναι πολύ υψηλή. Αυτό είναι πολύ φυσιολογικό. • Το ψυγείο ίσως συνδέθηκε στην πρίζα πρόσφατα ή μπορεί να έχει φορτωθεί με πολλά τρόφιμα. Η πλήρης ψύξη του ψυγείου σας στη θερμοκρασία λειτουργίας μπορεί να διαρκέσει δύο ώρες επιπλέον. • Μπορεί πρόσφατα να τοποθετήθηκαν στο ψυγείο μεγάλες ποσότητες ζεστού φαγητού. Το πολύ ζεστό φαγητό προκαλεί λειτουργία του ψυγείου για περισσότερη ώρα έως ότου φθάσει την επιθυμητή θερμοκρασία φύλαξης των τροφίμων. • Ίσως να ανοίγονταν συχνά οι πόρτες ή να παρέμειναν μισάνοιχτες για μεγάλο χρονικό διάστημα. Ο θερμός αέρας που έχει εισέλθει στο ψυγείο προκαλεί τη λειτουργία του ψυγείου για μεγαλύτερες χρονικές περιόδους. Ανοίγετε τις πόρτες λιγότερο συχνά. • Η πόρτα του χώρου κατάψυξης ή συντήρησης μπορεί να έχει ξεχαστεί μισάνοιχτη. Ελέγξτε αν οι πόρτες έχουν κλείσει καλά. • Το ψυγείο έχει ρυθμιστεί σε πολύ χαμηλή θερμοκρασία. Ρυθμίστε τη θερμοκρασία του ψυγείου σε υψηλότερο επίπεδο και περιμένετε έως ότου επιτευχθεί αυτή η θερμοκρασία. • Η στεγανοποίηση πόρτας της συντήρησης ή κατάψυξης μπορεί να είναι λερωμένη, φθαρμένη, σπασμένη ή δεν εφαρμόζει καλά. Καθαρίστε ή αντικαταστήστε τη στεγανοποίηση. Αν υπάρχει ζημιά/ σπάσιμο στη στεγανοποίηση της πόρτας, μπορεί να προκληθεί λειτουργία του ψυγείου για μεγαλύτερες περιόδους για να διατηρείται η τρέχουσα θερμοκρασία.
<p>Η θερμοκρασία της κατάψυξης είναι πολύ χαμηλή ενώ η θερμοκρασία της συντήρησης είναι επαρκής.</p>
<ul style="list-style-type: none"> • Η θερμοκρασία του χώρου κατάψυξης έχει ρυθμιστεί σε πολύ χαμηλό επίπεδο. Ρυθμίστε τη θερμοκρασία του χώρου κατάψυξης σε υψηλότερο επίπεδο και ελέγξτε.
<p>Η θερμοκρασία της συντήρησης είναι πολύ χαμηλή ενώ η θερμοκρασία της κατάψυξης είναι επαρκής.</p>
<ul style="list-style-type: none"> • Η θερμοκρασία του χώρου συντήρησης έχει ρυθμιστεί σε πολύ χαμηλό επίπεδο. Ρυθμίστε τη θερμοκρασία του χώρου συντήρησης σε υψηλότερο επίπεδο και ελέγξτε.
<p>Τα τρόφιμα στα συρτάρια της συντήρησης παγώνουν.</p>
<ul style="list-style-type: none"> • Η θερμοκρασία του χώρου συντήρησης έχει ρυθμιστεί σε πολύ χαμηλό επίπεδο. Ρυθμίστε τη θερμοκρασία του χώρου συντήρησης σε υψηλότερο επίπεδο και ελέγξτε.
<p>Η θερμοκρασία στη συντήρηση ή την κατάψυξη είναι πολύ υψηλή.</p>
<ul style="list-style-type: none"> • Η θερμοκρασία της συντήρησης έχει ρυθμιστεί σε πολύ υψηλό επίπεδο. Η ρύθμιση της συντήρησης έχει επίδραση στη θερμοκρασία της κατάψυξης. Αλλάξτε τη θερμοκρασία της συντήρησης ή κατάψυξης έως ότου η θερμοκρασία της συντήρησης ή κατάψυξης φθάσει σε επαρκές επίπεδο. • Η πόρτα μπορεί να έχει μείνει μισάνοιχτη. Κλείστε καλά την πόρτα. • Μπορεί πρόσφατα να τοποθετήθηκαν στο ψυγείο μεγάλες ποσότητες ζεστού φαγητού. Περιμένετε έως ότου η συντήρηση ή η κατάψυξη φθάσει στην επιθυμητή θερμοκρασία. • Το ψυγείο μπορεί να έχει συνδεθεί στην πρίζα πρόσφατα. Η πλήρης ψύξη του ψυγείου απαιτεί χρόνο λόγω του μεγέθους του.
<p>Το ψυγείο παράγει θόρυβο παρόμοιο με το τικ τακ του ρολογιού.</p>

<ul style="list-style-type: none"> Ο θόρυβος προέρχεται από την ηλεκτρομαγνητική βαλβίδα του ψυγείου. Ο σκοπός της ηλεκτρομαγνητικής βαλβίδας είναι η εξασφάλιση της διέλευσης ψυκτικού μέσου μέσα από το χώρο που μπορεί να ρυθμιστεί σε θερμοκρασίες ψύξης ή κατάψυξης, και η εκτέλεση των λειτουργιών ψύξης. Αυτό είναι φυσιολογικό και δεν αποτελεί ένδειξη δυσλειτουργίας.
Ο θόρυβος λειτουργίας αυξάνεται όταν λειτουργεί το ψυγείο.
<ul style="list-style-type: none"> Τα χαρακτηριστικά λειτουργίας του ψυγείου μπορεί να διαφέρουν ανάλογα με τις μεταβολές της θερμοκρασίας περιβάλλοντος. Το φαινόμενο είναι φυσιολογικό και δεν αποτελεί ένδειξη δυσλειτουργίας.
Κραδασμοί ή θόρυβος.
<ul style="list-style-type: none"> Το δάπεδο δεν είναι ομαλό ή δεν είναι ανθεκτικό. Το ψυγείο ταλαντεύεται όταν μετακινηθεί ελαφρά. Βεβαιωθείτε ότι το δάπεδο είναι οριζόντιο, ανθεκτικό και ικανό να φέρει το βάρος του ψυγείου. Ο θόρυβος μπορεί να προκαλείται από αντικείμενα που έχουν τοποθετηθεί πάνω στο ψυγείο. Αυτά τα είδη πρέπει να απομακρυνθούν από τη συσκευή.
Υπάρχουν θόρυβοι σαν ροής ή ψεκασμού υγρού.
<ul style="list-style-type: none"> Η ροή υγρών και αερίων είναι σύμφωνη με την αρχή λειτουργίας του ψυγείου σας. Το φαινόμενο είναι φυσιολογικό και δεν αποτελεί ένδειξη δυσλειτουργίας.
Υπάρχει θόρυβος σαν ανέμου που φυσά.
<ul style="list-style-type: none"> Για την αποτελεσματική ψύξη του ψυγείου χρησιμοποιούνται συσκευές διακίνησης αέρα (ανεμιστήρες) . Το φαινόμενο είναι φυσιολογικό και δεν αποτελεί ένδειξη δυσλειτουργίας.
Συμπύκνωση στα εσωτερικά τοιχώματα του ψυγείου.
<ul style="list-style-type: none"> Ο ζεστός και υγρός καιρός αυξάνει το σχηματισμό πάγου και συμπύκνωσης. Το φαινόμενο είναι φυσιολογικό και δεν αποτελεί ένδειξη δυσλειτουργίας. Η πόρτες είναι μισάνοιχτες. Βεβαιωθείτε ότι οι πόρτες είναι τελείως κλειστές. Ίσως να ανοίγονταν συχνά οι πόρτες ή να παρέμειναν ανοικτές για μεγάλο χρονικό διάστημα. Ανοίγετε την πόρτα λιγότερο συχνά.
Εμφανίζεται υγρασία στο εξωτερικό του ψυγείου ή ανάμεσα στις πόρτες.
<ul style="list-style-type: none"> Ο καιρός μπορεί να είναι υγρός. Αυτό είναι πολύ φυσιολογικό σε περίπτωση υγρού καιρού. Όταν η υγρασία είναι μικρότερη, η συμπύκνωση θα πάψει να εμφανίζεται.
Κακοσμία στο εσωτερικό του ψυγείου.
<ul style="list-style-type: none"> Το εσωτερικό του ψυγείου πρέπει να καθαριστεί. Καθαρίστε το εσωτερικό του ψυγείου, με ένα σφουγγάρι, χλιαρό νερό ή διάλυμα μαγειρικής σόδας σε νερό. Ίσως η οσμή να προκαλείται από ορισμένα δοχεία ή υλικά συσκευασίας. Χρησιμοποιήστε διαφορετικό δοχείο ή διαφορετική μάρκα υλικού συσκευασίας.
Η (Οι) πόρτα(-ες) δεν κλείνει(-ουν).
<ul style="list-style-type: none"> Συσκευασίες τροφίμων ίσως να εμποδίζουν το κλείσιμο της πόρτας. Μετατοπίστε τις συσκευασίες που εμποδίζουν την πόρτα. Το ψυγείο πιθανόν να μην είναι εντελώς κατακόρυφο στο δάπεδο και μπορεί να ταλαντεύεται όταν σπρωχτεί ελαφρά. Ρυθμίστε τις βίδες ανύψωσης. Το δάπεδο δεν είναι επίπεδο ή δεν είναι ανθεκτικό. Βεβαιωθείτε ότι το δάπεδο είναι οριζόντιο και ικανό να φέρει το βάρος του ψυγείου.
Τα συρτάρια λαχανικών έχουν κολλήσει.
<ul style="list-style-type: none"> Τα τρόφιμα μπορεί να αγγίζουν την οροφή του συρταριού. Ανακατανείμμε τα τρόφιμα στο συρτάρι.

Пожалуйста, сначала прочтите данное руководство!

Уважаемый покупатель!

Надеемся, что наше изделие, выпущенное на современных предприятиях, и проверенное с помощью самых тщательных процедур контроля качества, будет надежно служить вам.

Поэтому, прежде чем пользоваться изделием, рекомендуем внимательно и полностью изучить данное руководство и хранить его под рукой для использования в справочных целях в будущем.




Данное руководство

- Поможет вам быстро и безопасно пользоваться изделием.
- Прежде чем устанавливать изделие и пользоваться им, прочтите руководство.
- Соблюдайте инструкции, особенно в отношении техники безопасности.
- Храните руководство в легко доступном месте, так как оно может понадобиться вам в будущем.
- Кроме того, прочитайте другие документы, поставляющиеся в комплекте с изделием.

Просим учесть, что данное руководство по эксплуатации может применяться и для других моделей.

Символы и их описания

В данном руководстве по эксплуатации используются следующие символы:

-  Важная информация или полезные советы по эксплуатации.
-  Предупреждение об опасности для жизни и имущества.
-  Предупреждение об опасном напряжении электросети.

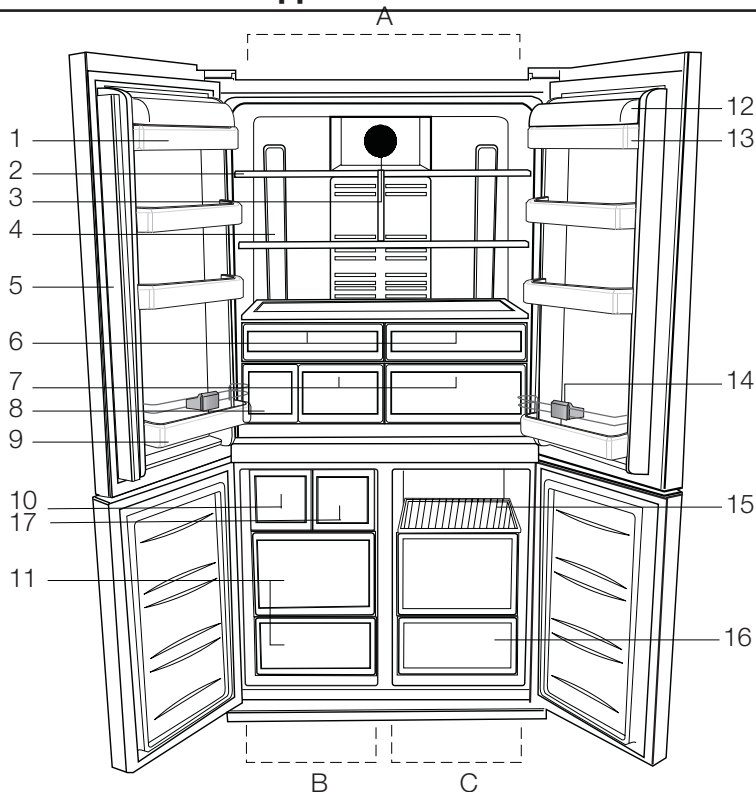


На данное изделие нанесен символ избирательной сортировки для отходов электрического и электронного оборудования (WEEE). Это значит, что с данным изделием следует обращаться в соответствии с Европейской Директивой 2002/96/ЕС с целью его переработки или разборки для уменьшения отрицательного воздействия на окружающую среду. За дополнительной информацией обратитесь в местные или региональные органы власти. Электронная техника, не включенная в процесс избирательной сортировки отходов, представляет потенциальную опасность для окружающей среды и здоровья людей из-за наличия в ней опасных веществ.

СОДЕРЖАНИЕ

1 Описание холодильника	3	4 Пользование холодильником	12
2 Важные указания по технике безопасности	4	Панель индикаторов	12
Использование по назначению	4	Сигнал открытия дверцы	15
Для изделий с раздатчиком охлажденной воды:	6	Полка для масла и сыра	16
Безопасность детей	6	Выдвижные полки	17
Предупреждение органов здравоохранения	6	Лоток для яиц	17
Рекомендации по экономии электроэнергии	7	Контейнер для фруктов и овощей	17
Рекомендации по использованию отделения для свежих продуктов	7	Отделение охладителя	17
		Вращающееся среднее отделение	18
		Отделение для хранения продуктов Flexi Zone	18
		Синий свет	18
3 Установка	8	5 Обслуживание и чистка	19
Подготовка	8	Защита пластмассовых поверхностей	19
Что следует учитывать при транспортировке холодильника	8	6 Рекомендации по устранению неполадок	20
Перед эксплуатацией холодильника	9		
Подключение к электросети	9		
Утилизация упаковки	9		
Утилизация старого холодильника	9		
Размещение и установка	10		
Регулировка положения на полу .	10		
Регулировка зазора между верхними дверцами	11		

1 Описание холодильника



- | | |
|--|---|
| A- Камера холодильника | 8- Бак водяного конденсата |
| B- Морозильная камера | 9- Полка для бутылок |
| C- Отделение Flexi Zone | 10- Icematic (ледогенератор) |
| 1- Полки в дверце холодильного отделения | 11- Отделения для хранения замороженных продуктов |
| 2- Съёмные полки холодильного отделения | 12- Крышка полки для масла и сыра |
| 3- Крышка рассеивателя | 13- Полка для масла и сыра |
| 4- Рассеиватель лампочки освещения | 14- Держатель для бутылок |
| 5- Вращающееся среднее отделение | 15- Отделения для хранения продуктов |
| 6- Отделение охладителя | 16- Отделение для хранения продуктов Flexi Zone |
| 7- Контейнер для фруктов и овощей | 17- Свежий морозильник ящик |

Иллюстрации в данной инструкции являются схематичными и могут отличаться от вашей модели. Если некоторые компоненты не входят в состав приобретенного вами изделия, они действительно для других моделей.

2 Важные указания по технике безопасности

Обязательно ознакомьтесь со следующей информацией. Игнорирование данной информации может привести к причинению травм или повреждению имущества. Кроме того, гарантийные обязательства и обязательства по эксплуатационной надёжности утратят силу.

Срок службы приобретенного вами изделия составляет 10 лет. Это срок, в течение которого предоставляются запасные части, необходимые для нормальной работы изделия.

Использование по назначению

Это изделие предназначено для использования

- в помещении и на закрытых пространствах, например, в доме;
 - в закрытых рабочих помещениях, например, в магазинах и офисах;
 - в закрытых жилых помещениях, например, в загородных домах, гостиницах, пансионатах.
- Это изделие предназначено для использования только в помещении.

Общие правила техники безопасности

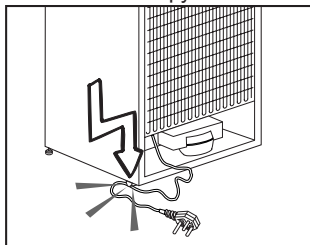
- В случае необходимости утилизировать или уничтожить изделие для получения необходимой информации рекомендуется обратиться в фирменный сервисный центр, а также в местные органы власти.
- По всем вопросам, касающимся холодильника, обращайтесь в фирменный сервисный центр. Не вмешивайтесь в работу изделия и не разрешайте этого другим без уведомления фирменного сервисного центра.
- Для изделий с морозильным отделением: не ешьте мороженое в рожках и кубики льда сразу после их извлечения из морозильного отделения! (Это может вызвать обморожение полости рта.)
- Для изделий с морозильным отделением: не помещайте напитки в бутылках и банках в морозильное отделение. Они могут лопнуть.
- Не дотрагивайтесь до замороженных продуктов – они могут примерзнуть к рукам.
- Отключайте холодильник от сети перед чисткой или размораживанием.
- Ни в коем случае не используйте для чистки и размораживания холодильника пар или аэрозольные чистящие средства. В этом случае пар может попасть на электрические компоненты, что приведет к короткому замыканию или поражению электрическим током.
- Ни в коем случае не используйте холодильник или его части (например, дверцу) в качестве подставки или опоры.
- Не используйте электрические приборы внутри холодильника.
- Не допускайте повреждения частей, в которых циркулирует хладагент, используя режущие или сверлильные инструменты. Хладагент может вырваться из пробитого испарителя, трубопроводов или покрытий поверхности и вызвать раздражение кожи и поражение глаз.
- Ни в коем случае не закрывайте и не закупоривайте вентиляционные отверстия холодильника.
- Ремонт электрического оборудования должны производить только квалифицированные специалисты. Ремонт, выполненный некомпетентными лицами, может создать опасность для потребителя.
- В случае неполадок во время эксплуатации, а также при проведении техобслуживания или ремонта отключите холодильник, выключив соответствующий предохранитель или вынув шнур питания из розетки.
- Не тяните за сетевой шнур, вынимая вилку из розетки.
- Крепкие спиртные напитки следует

хранить в плотно закрытом виде и вертикальном положении.

- Нельзя хранить в холодильнике банки с горючими и взрывоопасными веществами.
- Для ускорения процесса размораживания не используйте механические устройства или другие средства, кроме тех, которые рекомендованы производителем.
- Данный электроприбор не предназначен для использования лицами (включая детей) с ограниченными физическими, сенсорными и интеллектуальными возможностями либо не имеющими опыта и знаний. Они могут пользоваться электроприбором только под наблюдением лица, ответственного за их безопасность, или под его руководством.
- Ни в коем случае нельзя пользоваться неисправным холодильником. При возникновении вопроса обращайтесь к квалифицированному специалисту.
- Электрическая безопасность гарантируется только в том случае, если система заземления в вашем доме соответствует стандартам.
- Воздействие на устройство дождя, снега, солнца или ветра опасно с точки зрения электробезопасности.
- В случае повреждения шнура питания и т.п. обратитесь в фирменный сервисный центр, чтобы не подвергать себя опасности.
- Ни в коем случае нельзя включать холодильник в розетку во время установки. Это может привести к серьезным травмам или смерти.
- Этот холодильник предназначен только для хранения пищевых продуктов. Его нельзя использовать для каких-либо иных целей.
- Табличка с техническими характеристиками находится слева на внутренней стенке холодильника.
- Ни в коем случае нельзя подключать холодильник к электронным системам экономии электроэнергии, поскольку это может привести к его поломке.
- При наличии в холодильнике синей

подсветки не смотрите на нее через оптические устройства.

- При отключении от сети электропитания холодильника с ручным управлением подождите не менее 5 минут, прежде чем подключать его снова.
- В случае продажи изделия эту инструкцию по эксплуатации следует передать новому владельцу.
- При транспортировке холодильника избегайте повреждения шнура питания. Изгибание шнура питания может привести к возгоранию. Не ставьте на него тяжелые предметы. При подключении холодильника к сети электропитания не прикасайтесь к вилке влажными руками.



- Ни в коем случае нельзя подключать холодильник к плохо закрепленной стенной розетке сети электропитания.
- Из соображений безопасности не допускайте попадания воды на внешние или внутренние части холодильника.
- Не распыляйте рядом с холодильником воспламеняющиеся газы, такие как газ пропан, ввиду риска пожара или взрыва.
- Не ставьте сосуды с водой на холодильник, поскольку это может привести к поражению электрическим током или пожару.
- Не загружайте холодильник продуктами сверх меры. Если холодильник перегружен, продукты могут выпасть при открытии дверцы и травмировать вас или повредить холодильник. Не кладите предметы на холодильник, поскольку они могут упасть при открытии или закрытии дверцы.
- В холодильнике нельзя хранить вещества, требующие определенных

температурных условий, такие как вакцины, термочувствительные медикаменты, материалы для научных исследований и т.п.

- Холодильник следует отключить от электросети, если он не будет использоваться в течение длительного времени. Неисправность шнура питания может привести к возгоранию.
- Необходимо регулярно очищать концы вилки шнура электропитания; несоблюдение этого условия может привести к пожару.
- Необходимо регулярно очищать контакты вилки шнура питания сухой тканью. Несоблюдение этого правила может привести к пожару.
- Холодильник может сместиться, если регулируемые ножки не зафиксированы на полу. Фиксирование регулируемых ножек на полу предотвратит смещение холодильника.
- При перемещении холодильника не держите его за ручку. В противном случае он может сломаться.
- При установке холодильника расстояние между ним и другим холодильником или морозильником должно составлять минимум 8 см. В противном случае боковые прилегающие стенки будут увлажняться.

Для изделий с раздатчиком охлажденной воды:

Давление в водопроводной линии не должно быть ниже 1 бара. Давление в водопроводной линии не должно быть выше 8 бар.

- Используйте только питьевую воду.

Безопасность детей

- Если на дверце есть замок, ключ следует хранить в недоступном для детей месте.
- Следует присматривать за детьми и не разрешать им портить холодильник.

Предупреждение органов здравоохранения

Если система охлаждения вашего изделия содержит R600a:

Этот газ огнеопасен, поэтому будьте осторожны, чтобы не повредить системе охлаждения и трубопроводы при эксплуатации и во время транспортировки. В случае повреждения уберите устройство подальше от потенциальных источников огня, которые могут привести к возгоранию, а также проветривайте помещение, в котором находится устройство.

Не обращайтесь внимания на предупреждение, если система охлаждения вашего изделия содержит R134a.

Тип газа, используемого изделием, указан на паспортной табличке, расположенной слева на внутренней стенке холодильника.

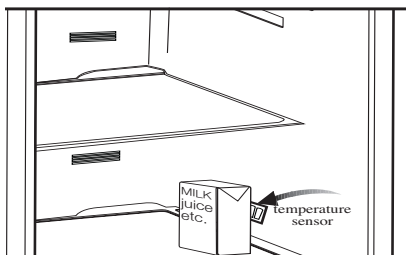
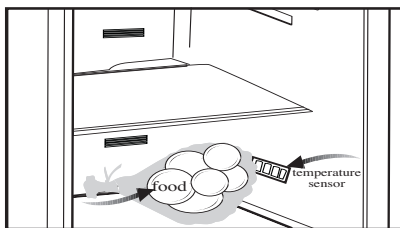
Не сжигайте изделие в целях утилизации.

Рекомендации по экономии электроэнергии

- Не оставляйте дверцу холодильника открытой на длительное время.
- Не кладите в холодильник горячие продукты или напитки.
- Не перегружайте холодильник, чтобы не нарушать циркуляцию воздуха.
- Не устанавливайте холодильник в местах, где на него попадают прямые солнечные лучи, или поблизости от источников тепла, таких как плита, посудомоечная машина или радиатор отопления.
- Следите за тем, чтобы контейнеры с продуктами были закрыты.
- Для изделий с морозильным отделением: в морозильное отделение холодильника можно заложить максимальное количество продуктов, если достать из него полку или ящик. Указанное в технических характеристиках энергопотребление холодильника определено при условии, что полка или ящик морозильного отделения извлечены, и в него загружено максимальное количество продуктов. Полку и ящик можно использовать для замораживания продуктов в соответствии с их формой и размером.
- Таяние замороженных продуктов в холодильном отделении обеспечит экономию электроэнергии и сохранение качества продуктов.

Рекомендации по использованию отделения для свежих продуктов *необязательный

- Не допускайте какого-либо контакта продуктов с температурным датчиком в отделении для свежих продуктов. Для поддержания идеальной температуры хранения в отделении для свежих продуктов датчик не должен закрываться хранящимися там продуктами.
- Не помещайте в холодильник горячие продукты.



3 Установка

⚠ Помните, что производитель не несет ответственности в случае несоблюдения указаний, приведенных в настоящем руководстве.

Подготовка

- Холодильник следует устанавливать не ближе 30 см от таких источников тепла, как плиты, духовые шкафы, радиаторы центрального отопления и печи, и не ближе 3 см от электрических духовок. Не следует размещать изделие в местах попадания прямого солнечного света.
- Температура воздуха в помещении, где устанавливается холодильник, должна быть не менее 10°C. Использовать холодильник при более низкой температуре не рекомендуется в связи с его низкой эффективностью в таких условиях.
- Содержите внутреннее пространство холодильника в чистоте.
- Если два холодильника устанавливаются рядом, то между ними должно быть расстояние не менее 2 см.
- При первом включении холодильника просим соблюдать следующие инструкции во время первых шести часов работы.
 - Не открывайте часто дверцу.
 - Холодильник должен быть пустым, без продуктов внутри.
 - Не отключайте холодильник от сети. Если произошло отключение электроэнергии не по вашей вине, см. указания в разделе «Рекомендации по устранению неполадок».
- Оригинальную упаковку и пленку следует сохранить для последующей транспортировки или перевозки изделия.

Что следует учитывать при транспортировке холодильника

1. Из холодильника следует вынуть все продукты и промыть его перед любой транспортировкой.
2. Перед упаковкой все полки, оборудование, контейнеры для фруктов и овощей и т.п. в холодильнике должны быть хорошо закреплены от тряски при помощи клейкой ленты.
3. Упаковывая холодильник с помощью плотных лент и прочных веревок, следует придерживаться правил транспортировки, напечатанных на упаковке.

Помните!

Вторичное использование материалов очень важно для сохранения природы и наших национальных богатств.

Если вы хотите отправить на переработку материалы упаковки, более подробную информацию можно получить в экологических учреждениях или в органах местной власти.

Климатический окру Температура класс
жающей среды

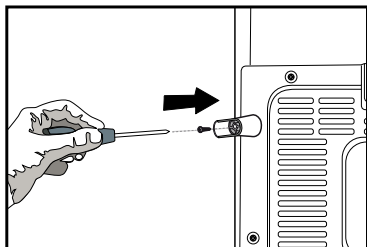
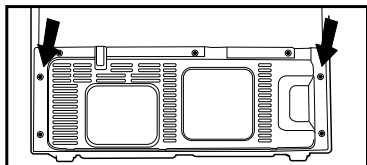
Климатический окру Температура класс
жающей среды

SNот +10 °C до 32 °C
Nот +16 °C до 32 °C
STот +18 °C до 38 °C
Tот +18 °C до 43 °C
SN-STот +10 °C до 38 °C
SN-Tот +10 °C до 43 °C

Перед эксплуатацией холодильника

Перед началом эксплуатации изделия проверьте следующее:

1. Сухо ли внутри холодильника, и может ли воздух свободно циркулировать позади него?
2. Вставьте 2 пластиковых клина на задней стенке холодильника, как показано на следующем рисунке. Отвинтите имеющиеся винты и воспользуйтесь винтами из упаковки с клиньями. Пластиковые клинья обеспечат необходимое расстояние между холодильником и стеной для надлежащей циркуляции воздуха.



3. Выполните чистку холодильника в соответствии с рекомендациями, приведенными в разделе «Обслуживание и чистка».
4. Включите холодильник в сеть. При открытии дверцы загорается лампочка внутреннего освещения.
5. При запуске компрессора будет слышен шум. Жидкость и газы, находящиеся внутри герметичной системы охлаждения, также могут создавать шум, независимо от того, работает компрессор или нет, что является вполне нормальным явлением.
6. Передние кромки холодильника могут казаться теплыми. Это нормально. Эти области должны нагреваться, чтобы избежать конденсации.

Подключение к электросети

Подсоедините морозильную камеру к правильно установленной заземленной розетке, защищенной предохранителем с соответствующим номиналом.

Важно!

- Подключение следует выполнять в соответствии с действующими в стране правилами.
 - Вилка сетевого шнура должна быть легко доступна после установки.
 - Напряжение и допустимые параметры предохранителей указаны в разделе «Технические характеристики».
 - Напряжение в сети должно соответствовать указанному напряжению.
 - Запрещается использовать при установке удлинители и многоконтактные штепсельные вилки.
- ⚠ Поврежденный шнур питания должен быть заменен квалифицированным электриком.
- ⚠ Запрещается пользоваться изделием до его ремонта. Имеется опасность поражения электрическим током.

Утилизация упаковки

Упаковочные материалы могут быть опасны для детей. Храните упаковочный материал в недоступном для детей месте или утилизируйте его, рассортировав в соответствии с правилами утилизации отходов. Не утилизируйте их вместе с обычными бытовыми отходами.

Упаковочные материалы холодильника изготовлены из материалов, подлежащих вторичной переработке.

Утилизация старого холодильника

Утилизация старого изделия должна выполняться экологически безопасным способом.

- Чтобы узнать, как утилизировать изделие, вы можете обратиться к авторизованному дилеру или в пункт сбора отходов по месту жительства.

Прежде чем утилизировать холодильник, отрежьте шнур питания и, в случае наличия замков на дверце, выведите их из строя, чтобы предотвратить создание опасных ситуаций для детей.

Размещение и установка

Внимание! Не включайте холодильник в розетку во время его установки. В противном случае, существует опасность получения серьезных травм или смертельного случая.

Если дверь помещения, в котором будет установлен холодильник, недостаточно широка, обратитесь в авторизованный сервисный центр за помощью в снятии дверец холодильника и пронести в дверь холодильник боком.

1. Устанавливайте холодильник в месте, удобном для его использования.
2. Холодильник должен находиться в месте, удаленном от источника тепла, мест повышенной влажности, защищенном от прямых солнечных лучей.
3. Для более эффективной работы необходимо обеспечить хорошую вентиляцию вокруг холодильника. Если холодильник устанавливается в нише стены, минимальное расстояние до потолка должно составлять не менее 5 см и 5 см до стены.

Если пол имеет ковровое покрытие, следует поднять холодильник на 2,5 см над уровнем пола.

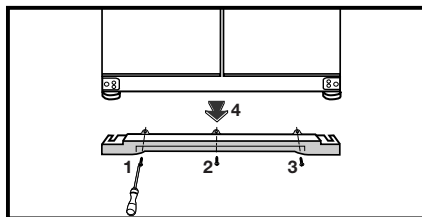
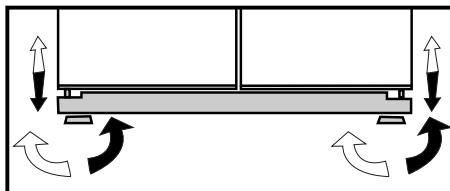
4. Холодильник должен стоять на ровной поверхности для того, чтоб не возникала тряска.
5. Температура помещения, в котором находится холодильник, не должна быть меньше 10°C.

Регулировка положения на полу

Если холодильник расположен неустойчиво:

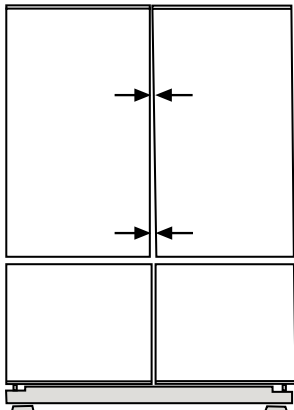
1- Отвинтите винты, которые держат вентиляционную крышку, как показано на рисунке. Вы можете отрегулировать устойчивое положение холодильника вращением передних ножек, как показано на рисунке. Угол холодильника, под которым находится ножка, будет опускаться, если поворачивать ее в направлении черной стрелки, или подниматься, если поворачивать ее в противоположном направлении. Если слегка приподнять холодильник, это облегчит процесс.

2. После того, как процесс балансировки завершен, установите вентиляционную крышку на место и закрепите ее винтами.

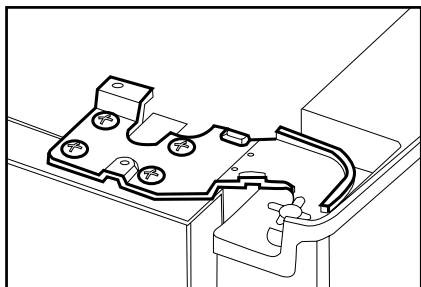


3. Отвинтите винты, которые держат нижнюю вентиляционную крышку, используя для этого отвертку Philips.

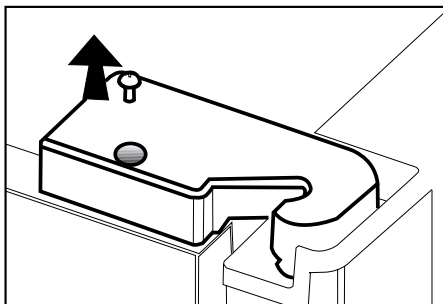
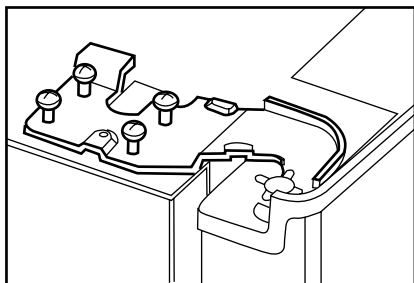
Регулировка зазора между верхними дверцами



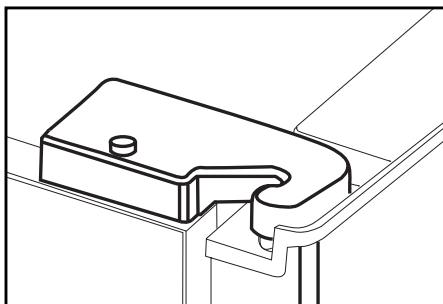
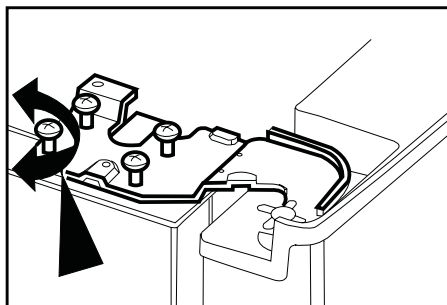
- Вы можете отрегулировать зазор между дверцами холодильной камеры, как указано на рисунке.



Во время регулировки дверей по высоте двери холодильника должны быть пустыми.



- Используя отвертку, выньте винт из крышки верхней петли той двери, которую нужно отрегулировать.

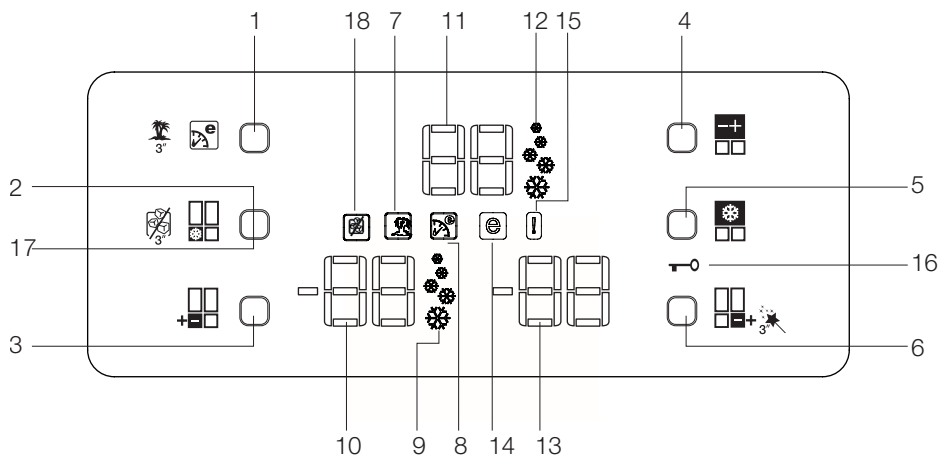


- Отрегулируйте дверь по своему усмотрению, немного ослабляя винты.
- Зафиксируйте отрегулированную дверь, затянув винты, не изменяя положения двери.
- Установите на место крышку петли и зафиксируйте винтом.

4 Пользование холодильником

Панель индикаторов

Сенсорная панель индикаторов позволяет регулировать температуру, не открывая дверцы холодильника. Для этого нажимайте соответствующие кнопки.



1. Кнопка «Eco-Extra»/временного отключения
2. Кнопка быстрой заморозки
3. Морозильное отделение – кнопка настройки температуры
4. Холодильное отделение – кнопка настройки температуры
5. Кнопка быстрого охлаждения
6. Отделение Flexi Zone – кнопка настройки температуры
7. Индикатор режима временного отключения
8. Индикатор режима Eco-Extra
9. Индикатор функции быстрого замораживания
10. Индикатор температуры морозильного отделения
11. Индикатор температуры холодильного отделения
12. Индикатор функции быстрого охлаждения
13. Индикатор температуры отделения Flexi Zone
14. Индикатор экономичного режима
15. Индикатор неисправного состояния
16. Индикатор блокировки клавиш
17. Индикатор остановки образования льда
18. Кнопка остановки образования льда

Иллюстрации в данной инструкции являются схематичными и могут отличаться от вашей модели. Если некоторые компоненты не входят в состав приобретенного вами изделия, они действительно для других моделей.

1. Кнопка «Eco Extra»/временного отключения

После короткого нажатия этой кнопки включается режим Eco Extra. После нажатия и удерживания кнопки в течение 3 секунд включается режим временного отключения. Чтобы отключить выбранный режим, еще раз нажмите на кнопку.

2. Кнопка быстрой заморозки

После короткого нажатия этой кнопки включается режим быстрой заморозки. Чтобы отключить выбранный режим, еще раз нажмите на кнопку.

3. Кнопка настройки температуры морозильного отделения

Нажимайте эту кнопку, чтобы установить в морозильной камере температуру -18, -20, -22, -24, -18... соответственно. Нажимайте эту кнопку, чтобы установить нужную температуру морозильной камеры.

4. Кнопка настройки температуры холодильного отделения

Нажимайте эту кнопку, чтобы установить в холодильной камере температуру 8, 6, 4, 2, 8... соответственно. Нажимайте эту кнопку, чтобы установить нужную температуру холодильной камеры.

5. Кнопка быстрого охлаждения

После короткого нажатия этой кнопки включается режим быстрого охлаждения. Чтобы отключить выбранный режим, еще раз нажмите на кнопку.

6. Кнопка регулировки температуры отделения Flexi Zone

Вы можете установить в отделении Flexi Zone режим морозильника или холодильника. Для этого нажмите и удерживайте указанную кнопку в течение 3 секунд. Заводская настройка данного отделения – морозильник.

Если в отделении Flexi Zone установлен режим морозильника, при каждом нажатии кнопки температура будет изменяться в такой последовательности: -18, -20, -22, -24, -18... соответственно. Если в отделении Flexi Zone установлен режим холодильника, при каждом нажатии кнопки температура будет изменяться в такой последовательности: 10, 8, 6, 4, 2, 0, -6... соответственно.

7. Индикатор режима временного отключения

Показывает, что включен режим временного отключения. В таком случае на индикаторе холодильной камеры появляется символ «- -» и охлаждение в ней не производится. В других отделениях охлаждение происходит в соответствии с установленной температурой.

Чтобы отключить выбранный режим, еще раз нажмите соответствующую кнопку.

8. Индикатор режима Eco Extra

Показывает, что включен режим Eco Extra. В таком случае холодильник автоматически определит минимальные периоды использования, в течение которых охлаждение будет происходить в энергосберегающем режиме. Все это время индикатор экономичного режима будет включен.

Чтобы отключить выбранный режим, еще раз нажмите соответствующую кнопку.

9. Индикатор режима быстрой заморозки

Показывает, что включена функция быстрого замораживания. Пользуйтесь этим режимом, если помещаете в морозильную камеру свежие продукты, или если вам нужен лед. В этом случае холодильник будет работать без остановки в течение 6 часов.

Чтобы отключить выбранный режим, еще раз нажмите соответствующую кнопку.

10. Индикатор температуры морозильного отделения

Указывает температуру, установленную для морозильного отделения.

11. Индикатор температуры холодильного отделения

Указывает температуру, установленную для холодильного отделения.

12. Индикатор режима быстрого охлаждения

Показывает, что включен режим быстрого охлаждения. Пользуйтесь этим режимом, если помещаете в холодильную камеру свежие продукты, или если необходимо быстро охладить продукты. В этом случае холодильник будет работать без остановки в течение 2 часов.

Чтобы отключить выбранный режим, еще раз нажмите соответствующую кнопку.

13. Индикатор температуры отделения Flexi Zone

Указывает температуру, установленную для отделения Flexi Zone.

14. Индикатор экономичного режима

Показывает, что холодильник работает в энергосберегающем режиме. Температура морозильной камеры

Индикатор будет включен, если установлена температура -18 или в режиме Eco Extra происходит энергосберегающее охлаждение.

15. Индикатор неисправного состояния

Этот индикатор включается при сбое в работе холодильника или поломке сенсора. В этом случае на индикаторе температуры морозильной камеры появится символ «E», а на индикаторе холодильной камеры – числа «1,2,3...». Они сообщают об определенной ошибке персоналу сервисной службы.

16. Индикатор блокировки клавиш

С помощью этого режима можно предотвратить изменение температурных настроек холодильника. Для его включения одновременно нажмите кнопки быстрого охлаждения и регулировки температуры отделения Flexi Zone и удерживайте их в течение 3 секунд.

Чтобы отключить выбранный режим, еще раз нажмите соответствующие кнопки.

17. Индикатор остановки образования льда

Воспользуйтесь этой функцией, если не нужно в образовании льда. Для ее активирования нажмите и удерживайте кнопку прекращения образования льда в течение 3 секунд.

18. Кнопка остановки

образования льда

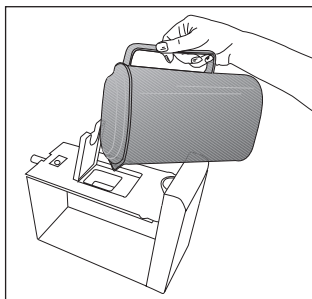
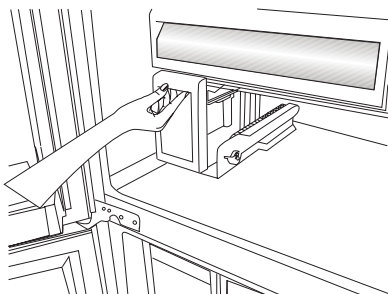
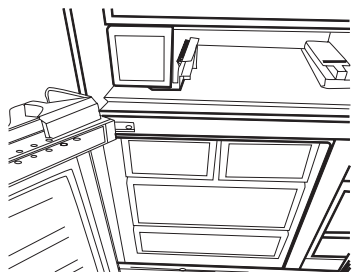
Чтобы остановить образование льда, нажмите и удерживайте кнопку остановки образования льда в течение 3 секунд. При этом в отсек для льда не будет поступать вода. Однако в нем может остаться лед, который можно извлечь. Чтобы возобновить образование льда, нажмите и удерживайте кнопку остановки образования льда в течение 3 секунд.

Сигнал открытия дверцы

Если дверца холодильной камеры или отделения Flexi Zone остается открытой в течение, как минимум, 1 минуты, прозвучит сигнал открытия дверцы. Нажмите любую кнопку на панели индикаторов или закройте дверцу – сигнал прекратится.

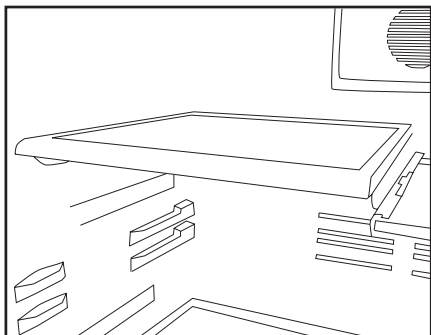
Автоматический ледогенератор Icematic

Благодаря автоматической системе Icematic холодильник превращает воду в лед. Достаньте бак водяного конденсата из холодильной камеры, наполните его водой и установите на место для образования льда с помощью ледогенератора Icematic. Первая партия льда будет готова через 2 часа в контейнере для льда морозильной камеры. Полный бак водяного конденсата образует 70 кубиков льда. Если вода находится в баке водяного конденсата дольше 2-3 недель, замените ее.



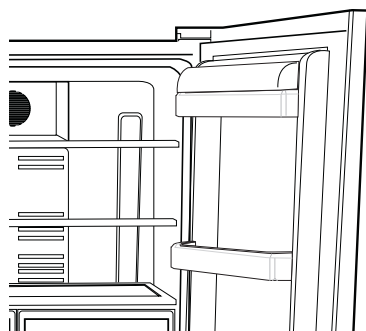
Скользящие полки с задними креплениями

Скользящие полки с задними креплениями легко передвигаются вперед и назад. Их высоту можно регулировать, устанавливая полки ниже или выше. Чтобы достать полку, слегка приподнимите ее и потяните на себя.



Полка для масла и сыра

Храните такие продукты, как масло, сыр и маргарин, в этом отделении, снабженном крышкой.



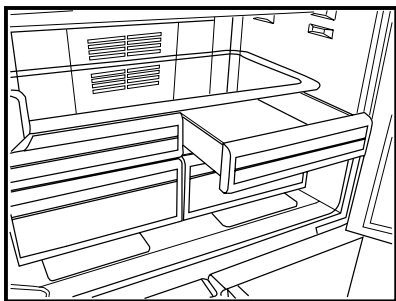
Лоток для яиц

- Вы можете установить держатель для яиц на полочку двери или обычную полку, как вам удобнее.
- Никогда не помещайте держатель для яиц в камеру морозильника.

Выдвижные полки

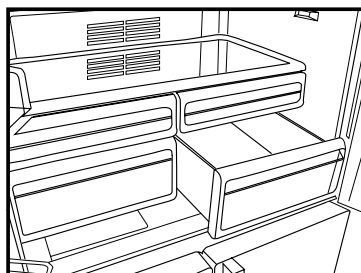
- Чтобы выдвинуть выдвижную полку, слегка приподнимите ее спереди, после чего ее можно сдвинуть назад и вперед. Полку можно выдвинуть вперед до упора, чтобы достать продукты в конце полки. Чтобы вынуть полку, сдвиньте ее до второго упора, слегка приподнимите и потяните на себя.

Крепко придерживайте полку снизу, чтобы она не перевернулась. Полки холодильного отделения устанавливаются на направляющие, расположенные на боковых стенках, и их можно переставлять выше или ниже. Чтобы установить полку на место, сдвиньте ее назад до конца.



Контейнер для фруктов и овощей

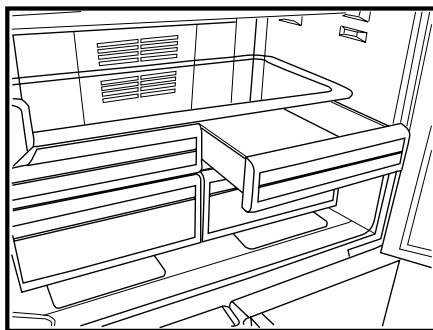
Контейнер для фруктов и овощей предназначен специально для их сохранения в свежем виде, чтобы они не теряли влагу. Для этого вокруг контейнера циркулирует холодный воздух.



Отделение охладителя

Отделение охладителя подготавливает продукты к заморозке. Кроме того, эти отделения можно использовать для хранения продуктов при температуре, на несколько градусов ниже температуры холодильной камеры.

Вы можете освободить место внутри холодильника, вынув любой из лотков для закусок. Для этого потяните лоток на себя, пока он не упрется в ограничитель. Затем приподнимите лоток приблизительно на 1 см и снова потяните на себя.



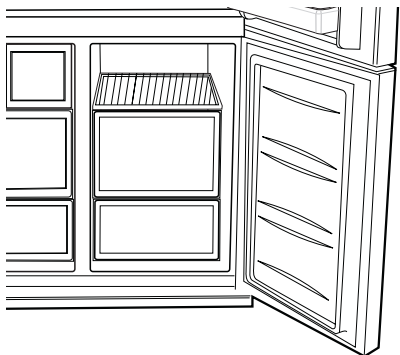
Вращающееся среднее отделение

Вращающееся среднее отделение предназначено для предотвращения просачивания холодного воздуха изнутри холодильника наружу. Когда дверцы холодильной камеры закрыты, прокладки плотно прилегают к поверхности вращающегося среднего отделения. Еще одно предназначение вращающегося среднего отделения – увеличение полезного объема холодильной камеры. Стандартные средние отделения занимают неиспользуемое пространство холодильника.

Если левая дверца холодильной камеры открыта, вращающееся среднее отделение должно быть закрыто. Вращающееся среднее отделение нельзя открывать вручную, поскольку оно приводится в движение посредством пластиковой части, вмонтированной в корпус.

Отделение для хранения продуктов Flexi Zone

Отделение для хранения продуктов Flexi Zone вашего холодильника можно использовать в любом нужном режиме, установив температуру холодильной (2/4/6/8 °C) или морозильной (-18/-20/-22/-24) камер. С помощью кнопки регулировки температуры отделения Flexi Zone можно устанавливать в

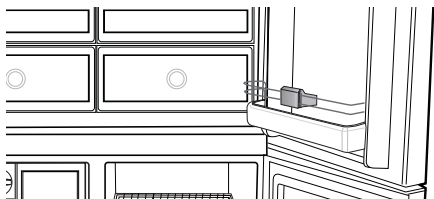


отделении нужную температуру. Температуру отделения Flexi Zone можно установить на значения от 0 до 10 градусов в дополнение к температуре холодильной камеры и -6 градусов в дополнение к температуре морозильной камеры. При значении 0 дольше хранятся деликатесы, а при -6 можно в течение двух недель хранить мясные продукты в легком для нарезания состоянии.

i Переключение между режимами холодильного и морозильного отделений позволяет охлаждающий элемент, находящийся в закрытом отделении (отделение компрессора) за холодильником. Когда этот элемент работает, из холодильника доносится шум, похожий на тиканье механических часов. Это вполне нормально и не является причиной неисправности.

Синий свет

В продуктах, хранящихся в контейнерах для фруктов и овощей с синей подсветкой, продолжается процесс фотосинтеза, благодаря длине волн синего света и, таким образом, они сохраняют свою свежесть, а содержание витаминов в них увеличивается.



5 Обслуживание и чистка

- ⚠ Ни в коем случае не используйте бензин, бензол или подобные вещества для чистки.
- ⚠ Перед чисткой рекомендуем отсоединить изделие от электросети.
- ⓘ Не используйте для чистки острые абразивные инструменты, мыло, бытовые чистящие средства, моющие средства и восковую политуру.
- ⓘ Корпус изделия промойте теплой водой и затем вытрите насухо.
- ⓘ Протрите внутреннюю поверхность изделия хорошо отжатой тканью, смоченной в растворе питьевой соды (1 чайная ложка на пол-литра воды), и вытрите насухо.
- ⚠ Не допускайте попадания воды в корпус лампочки и в другие электрические компоненты.
- ⚠ Если холодильник не будет использоваться в течение длительного времени, отключите сетевой шнур, извлеките все продукты, выполните чистку и оставьте дверцу приоткрытой.
- ⓘ Регулярно проверяйте, не испачкан ли уплотнитель дверцы частицами пищи.
- ⓘ Для снятия полок в дверце полностью разгрузите их, а затем просто приподнимите вверх.

Защита пластмассовых поверхностей

- Не храните жидкое масло или продукты, приготовленные с добавлением масла, в морозильной камере в открытых контейнерах, так как они могут повредить пластмассовые поверхности. Если же масло протекло или попало на пластмассовую поверхность, сразу же очистите и промойте это место теплой водой.

6 Рекомендации по устранению неполадок

Прежде чем обращаться в сервисный центр, просмотрите этот перечень. Это может помочь вам сэкономить время и деньги. Ниже перечислены часто возникающие проблемы, причиной которых не являются дефекты производства или материалов. Некоторые из функций, описанных здесь, могут отсутствовать в вашем изделии.

Холодильник не работает.

- Правильно ли включен холодильник в сеть? Вставьте вилку в розетку электросети.
- Не перегорел ли предохранитель розетки, в которую включена морозильная камера, и главный предохранитель? Проверьте предохранитель.

Конденсация на боковой стенке отделения холодильного отделения. (MULTI ZONE, COOL CONTROL, FLEXI ZONE)

- Очень низкая температура окружающей среды. Частое открывание и закрывание дверцы. Изделие работает в условиях повышенной влажности. Хранение продуктов, содержащих жидкость, в открытых контейнерах. Неплотно закрыта дверца.
- Переключите термостат на более низкую температуру.
- Уменьшите время открывания дверцы или открывайте ее реже.
- Накройте продукты, хранящиеся в открытых контейнерах, соответствующим материалом.
- Вытрите конденсат сухой тканью и проверьте, не образуется ли он снова.

Не работает компрессор

- Термозащита компрессора может сработать при неожиданных отключениях энергоснабжения либо при выключениях-включениях прибора, поскольку давление хладагента в системе охлаждения не успевает стабилизироваться.
- Холодильник начнет работать ориентировочно через 6 минут. Если по истечении этого времени холодильник не заработал, обратитесь в сервисный центр.
- Холодильник находится в режиме размораживания. Это нормально для полностью автоматически размораживающегося холодильника. Цикл размораживания выполняется периодически.
- Холодильник не включен в розетку электросети. Убедитесь, что вилка плотно вставлена в розетку электросети.
- Правильно ли отрегулирована температура? Отсутствует электроэнергия. Обратитесь к поставщику электроэнергии.

Холодильник включается слишком часто или работает слишком долго.

- Ваш новый холодильник может быть больше, чем предыдущий. Это вполне нормально. Большие холодильники работают в течение более длительного времени.
- Возможно, температура в помещении повышена. Это вполне нормально.
- Возможно, холодильник был недавно включен или загружен продуктами. Полное охлаждение холодильника может продолжаться на пару часов дольше.
- Возможно, в холодильник недавно поместили большое количество горячих продуктов. Горячие продукты в холодильнике заставляют его работать дольше, пока не будет достигнута нужная температура хранения.
- Возможно, дверцы часто открываются либо были приоткрыты в течение длительного времени. Теплый воздух, попадающий в холодильник, заставляет его работать дольше. Открывайте дверцы реже.
- Неплотно закрыта дверца морозильного или холодильного отделения. Проверьте, плотно ли закрыты дверцы.
- Холодильник отрегулирован на очень низкую температуру. Отрегулируйте температуру холодильника до более высокого значения и подождите, пока установленная температура не будет достигнута.
- Уплотнитель двери холодильного или морозильного отделения, возможно, загрязнен, изношен, разорван или неправильно установлен. Почистите или замените уплотнитель. Поврежденный/разорванный уплотнитель заставляет холодильник работать дольше для того, чтобы поддерживать текущую температуру.

Температура в морозильном отделении слишком низкая, в то время как температура в холодильном отделении достаточная.

- Температура морозильного отделения установлена на очень низкое значение. Отрегулируйте температуру морозильного отделения на более высокое значение и проверьте работу.

Температура холодильного отделения очень низкая, в то время как температура в морозильном отделении достаточная.

- Температура холодильного отделения отрегулирована на очень низкое значение. Отрегулируйте температуру холодильного отделения до более высокого значения и проверьте работу.

Замерзают продукты в выдвижных контейнерах холодильного отделения.

- Температура холодильного отделения отрегулирована на очень низкое значение. Отрегулируйте температуру холодильного отделения до более высокого значения и проверьте работу.

Температура в холодильном и морозильном отделении слишком высокая.

- Температура холодильного отделения установлена на очень высокое значение. Настройка холодильного отделения влияет на температуру морозильного отделения. Измените температуру холодильного или морозильного отделения, пока не будет достигнут нужный уровень температуры.
- Возможно, неплотно закрыта дверца. Полностью закройте дверцу.
- Возможно, в холодильник недавно поместили большое количество горячих продуктов. Подождите, пока холодильное или морозильное отделение достигнет нужной температуры.
- Возможно, холодильник был недавно включен в сеть. Для полного охлаждения потребуется время из-за его размеров.

Из холодильника доносится шум, похожий на тиканье механических часов.

<ul style="list-style-type: none"> Этот шум вызван работой электромагнитного клапана холодильника. Он обеспечивает проход через отделение холодильного агента, который может иметь температуру охлаждения или замораживания, и выполняет функции охлаждения. Это вполне нормально и не является причиной неисправности.
Уровень рабочего шума повышается во время работы холодильника.
<ul style="list-style-type: none"> Рабочие характеристики изделия могут изменяться в зависимости от изменений температуры окружающей среды. Это нормально и не является неисправностью.
Вибрация или шум.
<ul style="list-style-type: none"> Пол неровный или нетвердый. При медленном перемещении морозильник дрожит. Убедитесь в том, что пол ровный и достаточно прочный, чтобы выдержать вес изделия. Шум могут вызывать предметы, поставленные на холодильник. Такие предметы следует убрать с холодильника.
Слышен шум льющейся или распыляющейся жидкости.
<ul style="list-style-type: none"> Расход жидкости и газа изменяется в соответствии с принципами работы изделия. Это нормально и не является неисправностью.
Слышен шум, похожий на шум ветра.
<ul style="list-style-type: none"> Для обеспечения эффективного охлаждения в холодильнике используются устройства подачи воздуха (вентиляторы). Это нормально и не является неисправностью.
Конденсация влаги на внутренних стенках холодильника.
<ul style="list-style-type: none"> Жаркая и влажная погода способствует образованию льда и конденсации влаги. Это нормально и не является неисправностью. Дверцы приоткрыты. Убедитесь, что дверцы полностью закрыты. Возможно, дверцы открывались очень часто, или дверца была оставлена открытой в течение длительного времени. Открывайте дверцу не так часто.
Появление влаги снаружи холодильника или между дверцами.
<ul style="list-style-type: none"> Возможно, причина во влажной погоде. Это вполне нормально при влажной погоде. Когда влажность уменьшится, конденсация исчезнет.
Неприятный запах внутри холодильника.
<ul style="list-style-type: none"> Следует выполнить чистку внутри холодильника. Протрите внутреннюю часть с помощью губки, теплой или газированной воды. Некоторые контейнеры или упаковочные материалы также могут быть источником запаха. Используйте другой контейнер или упаковочный материал другой марки.
Дверца (дверцы) не закрывается (не закрываются).
<ul style="list-style-type: none"> Упаковки продуктов могут препятствовать закрыванию дверцы. Переместите упакованные продукты, препятствующие закрытию дверцы. Возможно, холодильник стоит не совсем вертикально, это может вызвать дрожание при любом перемещении. Отрегулируйте регулировочные винты. Пол неровный или нетвердый. Убедитесь в том, что пол ровный и может выдержать вес холодильника.
Контейнеры для фруктов и овощей прилипли.
<ul style="list-style-type: none"> Возможно, продукты касаются верхней части контейнера. Переместите продукты в контейнере.

Molimo prvo pročitajte ovaj priručnik!

Poštovani kupci,

Nadamo se da će vam naš proizvod, proizveden u suvremenim postrojenjima i provjeren po strogim procedurama kontrole kvalitete, pružiti učinkovit rad.

Zbog toga vam preporučujemo da pažljivo pročitate cijeli priručnik proizvoda prije uporabe te da ga čuvate na pristupačnom mjestu zbog buduće uporabe.




Ovaj priručnik

- Će vam pomoći da koristite svoj uređak brzo i sigurno.
- Pročitajte priručnik prije instaliranja i rada s vašim proizvodom.
- Slijedite upute, posebno one vezane za sigurnost.
- Ćuvajte priručnik na lako dostupnom mjestu jer vam može zatrebati kasnije.
- Osim toga, također pročitajte druge dokumente dostavljene s vašim proizvodom.

Molimo imajte na umu da ovaj priručnik može vrijediti i za druge modele.

Simboli i njihovi opisi

Ovaj korisnički priručnik sadrži sljedeće simbole:

-  Važne informacije ili korisni savjeti za uporabu.
-  Upozorenja protiv opasnosti po život i imovinu.
-  Upozorenje protiv električnog napona.



Ovaj proizvod nosi znak selektivnog razvrstavanja za električni i elektronski otpad (WEEE).

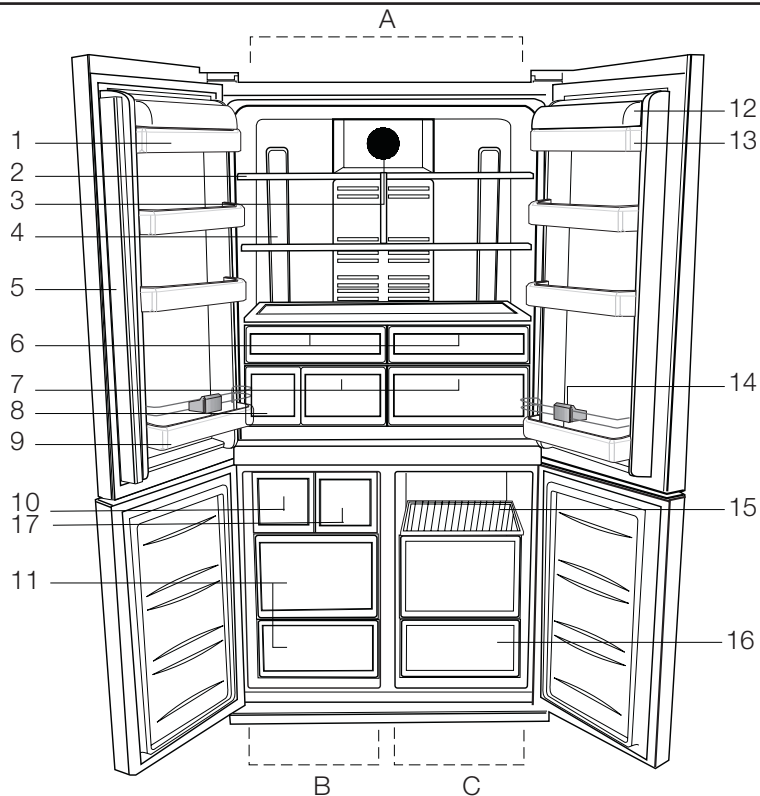
To znači da se ovim proizvodom mora rukovati prema Europskoj direktivi 2002/96/EC da bi se reciklirao ili razmontirao da bi se smanjio utjecaj na okoliš. Za daljnje informacije, molimo javite se lokalnim ili regionalnim vlastima.

Elektronski proizvodi koji nisu uključeni u postupak selektivnog razvrstavanja su potencijalno opasni za okoliš i ljudsko zdravlje zbog prisutnosti opasnih tvari.

SADRŽAJ

1 Vaš hladnjak	3	4 Uporaba vašeg hladnjaka	12
2 Važna sigurnosna upozorenja	4	Ploča indikatora.....	12
Predviđena namjena.....	4	Alarm za otvorena vrata:	14
Za proizvode s raspršivačem za vodu;	6	Dio za maslac i sir	16
Sigurnost djece	6	Klizne police kućišta	17
Upozorenje za HCA	6	Polica za jaja.....	17
Stvari koje se trebaju uraditi za uštedu energije.....	7	Odjeljak za povrće	17
Preporuke za odjeljak za svježu hranu	7	Odjeljak za hlađenje.....	17
3 Instalacija	8	Odjeljak za pohranu s fleksibilnim zonama	18
Priprema.....	8	Okretanje srednjeg dijela	18
Stvari kojih se treba pridržavati kod ponovnog transporta vašeg hladnjaka	8	Plavo svjetlo	18
Prije uključivanja vašeg hladnjaka.....	8	5 Održavanje i čišćenje	19
Električno spajanje.....	9	Zaštita plastičnih površina	19
Odlaganje pakiranja	9	6 preporučenih rješenja za probleme	20
Odlaganje stalnog hladnjaka	9		
Postavljanje i instalacija.....	9		
Prilagođavanje ravnoteže prema podu	10		
Prilagođavanje razmaka između gornjih vrata.....	10		

1 Vaš hladnjak



- | | | | |
|----|--|-----|------------------------------------|
| A- | Odjeljak hladnjaka | 9- | Polica za boce |
| B- | Odjeljak škrinje | 10- | Ledomat |
| C- | Fleksibilna zona | 11- | Odjeljci za držanje smrznute hrane |
| 1- | Police vrata odjeljka hladnjaka | 12- | Poklopac police za maslac i sir |
| 2- | Podesive police kućišta odjeljka hladnjaka | 13- | Polica za maslac i sir |
| 3- | Poklopac raspršivača | 14- | Držač boca |
| 4- | Leća za osvetljenje | 15- | Odjeljci za pohranu |
| 5- | Okretnji srednji dio | 16- | Odjeljak fleksibilne zone |
| 6- | Odjeljak za hlađenje | 17- | Ladica hladnjaka za svježe |
| 7- | Odjeljak za povrće | | |
| 8- | Spremnik za vodu | | |

i Slike koje se nalaze u ovom priručniku su shematske i možda se ne ogovaraju u potpunosti vašem proizvodu. Ako dijelovi naslova nisu sadržani u proizvodu koji ste kupili, on vrijedi za ostale modele.

2 Važna sigurnosna upozorenja

Molimo pregledajte sljedeće informacije. Nepridržavanje ovih informacija može uzrokovati ozljede ili materijalnu štetu. U suprotnom će sva upozorenja i obveze za pouzdanost postati nevaljane.

Vijek uporabe kupljenog uređaja je 10 godina. Ovo je razdoblje potrebno za čuvanje rezervnih dijelova da bi uređaj radio kako je opisano.

Predviđena namjena

Ovaj je proizvod predviđen za uporabu

- u zatvorenom prostoru, npr. unutar kuće;
- u zatvorenim radnim okruženjima, kao što su trgovine i uredi;
- u zatvorenim prostorima za smještaj, kao što su kuće na farmama, hoteli, penzioni.
- Ovaj se proizvod ne smije se koristiti vani.

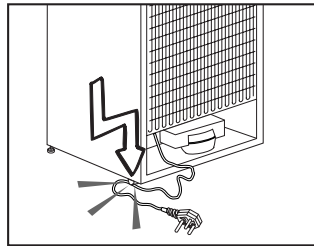
Opća sigurnost

- Kad budete željeli odložiti uređaj, preporučujemo da konzultirate ovlaštenu servis da biste saznali potrebne informacije i ovlaštena tijela.
- Konzultirajte se s ovlaštenim servisom za sva pitanja i probleme vezane za hladnjak. Nemojte intervenirati ili dopustiti da netko intervenira na hladnjaku bez prethodnog obavještanja ovlaštenih servisa.
- Za proizvode u odjeljku škrinje; Ne jedite kornete sladoleda i kockice leda odmah nakon vađenja kad ih izvadite iz odjeljka hladnjaka! (To može uzrokovati ozljede od hladnoće u vašim ustima.)

- Za proizvode s odjeljkom sa škrinjom; ne stavljajte tekućinu u bocama i konzervama u odjeljak škrinje. U suprotnom bi mogli puknuti.
- Ne dodirujte smrznutu hranu rukom; može vam se zalijepiti za ruku.
- Isključite svoj hladnjak prije čišćenja ili odmrzavanja.
- Para i raspršujuća sredstva za čišćenje se nikada ne smiju koristiti tijekom postupka čišćenja i odmrzavanja u vašem hladnjaku. U takvim slučajevima, para može doći u kontakt s električnim dijelovima i uzrokovati kratki spoj ili strujni udar.
- Nikada ne koristite dijelove vašeg hladnjaka, kao što su vrata, za pridržavanje ili za stajanje na njima.
- Ne koristite električne uređaje unutar hladnjaka.
- Ne oštećujte dijelove gdje cirkulira rashladno sredstvo pomoću alata za bušenje ili rezanje. Rashladno sredstvo koje može eksplodirati kad se plinski kanali isparivača, produžetka cijevi ili površinskih premaza probuše, može uzrokovati iritaciju kože i ozljede oka.
- Ne pokrivajte i ne blokirajte otvore za ventilaciju na vašem hladnjaku bilo kakvim materijalom.
- električne aparate smiju popravljati samo ovlaštene osobe. Popravke koje izvrše nestručne osobe mogu predstavljati rizik za korisnika.
- U slučaju bilo kakvog kvara tijekom održavanja ili popravke, otpojite hladnjak s napajanja ili isključivanjem odgovarajućeg osigurača ili isključivanjem vašeg uređaja iz struje.
- Kod isključivanja utikača, nemojte povlačiti za kabel.

- Stavite jača pića čvrsto zatvorena i uspravno.
- Nikada ne držite konzerve sa sprejevima koji sadrže zapaljive i eksplozivne tvari u hladnjaku.
- Ne koristite mehaničke uređaje ili druge načine za ubrzavanje procesa topljenja, osim onih koje preporuča proizvođač.
- Ovaj uređaj nije namijenjen uporabi od strane osoba s fizičkim osjetilnim ili mentalnim nedostacima ili osoba bez znanja ili iskustva (uključujući djecu), osim ako su pod nadzorom osobe koja će biti odgovorna za njihovu sigurnost ili koja će ih valjano uputiti o uporabi proizvoda.
- Ne uključujte oštećeni hladnjak. Konzultirajte se sa serviserom ako imate bilo kakvih nedoumica.
- Za električnu sigurnost vašeg hladnjaka se jamči samo ako je uzemljenje u vašoj kući u skladu sa standardima.
- Izlaganje proizvoda kiši, snijegu, suncu i vjetru je opasno u pogledu električne sigurnosti.
- Kad je oštećen kabel, javite se ovlaštenom servisu da izbjegnute opasnost.
- Nikada ne uključujte hladnjak u zidnu utičnicu tijekom instalacije. Inače može doći do opasnosti po život ili ozbiljne ozljede.
- Hladnjak je namijenjen samo držanju hrane. Ne smije se koristiti u bilo koje druge svrhe.
- Naljepnica s tehničkim specifikacijama se nalazi na lijevoj stijenci unutar hladnjaka.
- Nikada ne spajajte hladnjak na sustave za uštedu energije; oni mogu oštetiti hladnjak.

- Ako na hladnjaku postoji plavo svjetlo, nemojte gledati u plavo svjetlo optičkim alatima.
- Za hladnjake kojima se upravlja manualno, sačekajte bar 5 minuta da biste uključili hladnjak nakon nestanka el. energije.
- Ukoliko se uređaj da nekom drugom, korisnički priručnik se mora predati novom vlasniku.
- Pazite da ne oštetite kabel kod prijevoza hladnjaka. Presavijanje kabela može uzrokovati požar. Nikada ne stavljajte teške predmete na kabel napajanja. Ne dodirujte utikač mokrim rukama kad uključujete uređaj.



- Ne uključujte hladnjak ako je električna utičnica labava.
- Voda se ne smije špricati izravno na unutarnje ili vanjske dijelove proizvoda zbog sigurnosnih razloga.
- Nemojte špricati tvari koje sadrže zapaljive plinove kao što je propan blizu hladnjaka da biste izbjegli opasnost od požara i eksplozije.
- Nikada na hladnjak ne stavljajte posude s vodom, jer inače mogu uzrokovati električni udar ili požar.
- Nemojte prepuniti hladnjak s previše hrane. Ako se prepuni, hrana može pasti i ozlijediti vas kad otvorite vrata. Nikad ne stavljajte predmete na hladnjak, inače ti predmeti mogu pasti kad otvarate ili zatvarate vrata hladnjaka.

- Proizvodi za koje je potrebna precizna kontrola temperature, cjepiva, lijekovi osjetljivi na toplinu, znanstveni materijali, itd. se ne smiju držati u hladnjaku.
- Ako se neće koristiti dulje vrijeme, hladnjak se treba isključiti. Mogući problem na kabelu napajanja može uzrokovati požar.
- Vrh utikača se treba redovito čistiti, u suprotnom može uzrokovati požar.
- Vrh čepa se treba čistiti redovito suhom krpom; u suprotnom, može izazvati požar.
- Hladnjak se može pomaknuti ako podesive noge nisu pravilno pričvršćena na podu. Pravilno pričvršćivanje podesivih nogu na podu može spriječiti pomicanje hladnjaka.
- Kad nosite hladnjak, nemojte ga držati za ručku vrata. U suprotnom, može puknuti.
- Kad morate staviti svoj proizvod pored drugog hladnjaka ili škrinje, udaljenost između uređaja treba biti najmanje 8 cm. U suprotnom, susjedne bočne stjenke se mogu navlažiti.

Za proizvode s raspršivačem za vodu;

Tlak vode treba biti najmanje 1 bar.

Tlak vode treba biti najviše 8 bara.

- Koristite samo pitku vodu.

Sigurnost djece

- Ako vrata imaju bravu, ključ se treba držati podalje od dosega djece.
- Djeca moraju biti pod nadzorom da bi se spriječilo neovlašteno korištenje proizvoda.

Upozorenje za HCA Ako rashladni sustav vašeg uređaja sadrži R600a:

Ovaj plin je zapaljiv. Zato pazite da tijekom uporabe i transporta ne oštetite sustav za hlađenje i cijevi. U slučaju oštećenja, držite uređaj podalje od potencijalnog izvora plamena koji može dovesti do toga da uređaj zapali, te prozračujete sobu u kojoj se nalazi uređaj.

Ignorirajte ovo upozorenje ako rashladni sustav vašeg uređaja sadrži R134a.

Vrsta plina koja se koristi u proizvodu je navedena na tipskoj pločici koja je na lijevoj stijenci unutar hladnjaka.

Nikada kod odlaganja ne bacajte uređaj u vatru.

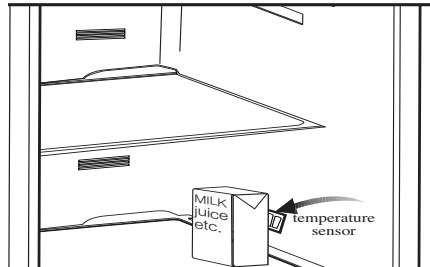
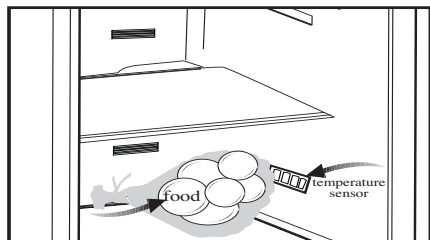
Stvari koje se trebaju uraditi za uštedu energije

- Ne ostavljajte vrata vašeg hladnjaka otvorena dulje vrijeme.
- Ne stavljajte toplu hranu ili pića u hladnjak.
- Nemojte prepuniti hladnjak tako da se ne sprječava cirkuliranja zraka u unutrašnjosti.
- Ne postavljajte vaš hladnjak izravno na sunčevu svjetlost ili blizu uređaja koji emitiraju toplinu kao što su pećnice, perilice suđa ili radijatori.
- Pazite da držite svoju hranu u zatvorenim posudama.
- Za uređaje s odjeljkom škrinje; možete spremiti maksimalnu količinu hrane u škrinju kad uklonite policu ili ladicu škrinje. Vrijednost potrošnje energije koja je navedena za vaš hladnjak je određena tako da je uklonjena polica ili ladica škrinje i pod maksimalnim opterećenjem. Ne postoji opasnost od uporabe police ili ladice prema oblicima i veličinama hrane koja će biti zamrznuta.
- Topljenje smrznute hrane u odjeljku hladnjaka će osigurati uštedu energije u sačuvati kvalitetu hrane.

Preporuke za odjeljak za svježu hranu

* Izborni

- Molimo, nemojte dopustiti da bilo kakva hrana dođe u kontakt sa senzorom temperature u odjeljku za svježu hranu. Da bi se održavala idealna temperatura za pohranu odjeljka za svježu hranu, hrana ne smije blokirati senzor.
- Ne stavljajte toplu hranu u uređaj.



3 Instalacija

⚠ Molimo imajte na umu da se proizvođač neće smatrati odgovornim ukoliko se ne budete pridržavali informacija navedenih u korisničkom priručniku.

Priprema

- Vaš hladnjak se treba postaviti najmanje 30 cm od izvora topline kao što su plamenici, pećnice, grijalice i štednjaci i najmanje 5 cm dalje od električnih pećnica te se ne smiju stavljati na direktnu sunčevu svjetlost.
- sobna temperatura u prostoriji u koju postavite hladnjak treba biti najmanje 10°C. Rad vašeg hladnjaka u hladnijim uvjetima od navedenih se ne preporuča vezano za učinkovitost.
- Pazite da se unutrašnjost vašeg hladnjaka temeljito čisti.
- Ako se dva hladnjaka trebaju instalirati jedan do drugog, između njih treba postojati razmak od najmanje 2 cm.
- Kada prvi put uključite hladnjak, molimo pridržavajte se sljedećih uputa tijekom prvih šest sati.
 - Vrata se ne smiju često otvarati.
 - Mora raditi prazan, bez ikakve hrane u njemu.
 - Ne isključujte vaš hladnjak. Ako dođe do nestanka el. energije na koji ne možete utjecati, molimo pogledajte upozorenja u dijelu "Preporučena rješenja problema".
- Originalno pakiranje i materijali od pjene se trebaju čuvati zbog budućeg transporta ili selidbe.

Stvari kojih se treba pridržavati kod ponovnog transporta vašeg hladnjaka

1. Vaš hladnjak mora biti ispražnjen i očišćen prije bilo kakvog transporta.
2. Police, dodaci, odjeljak za povrće itd. u vašem hladnjaku moraju biti čvrsto pričvršćeni ljepljivom trakom zbog treskanja prije ponovnog pakiranja.
3. Pakiranje se mora pričvrstiti ljepljivom trakom i mora se pridržavati pravila o transportu ispisanih na pakiranju.

Molimo ne zaboravite...

Svaki reciklirani materijal je nezamjenjiv izvor za prirodu i za naše nacionalne izvore.

Ako želite pridonijeti reciklaži materijala pakiranja, možete dobiti dodatne informacije od ureda za okoliš ili lokalnih vlasti.

Prije uključivanja vašeg hladnjaka

Prije početka uporabe vašeg hladnjaka provjerite sljedeće:

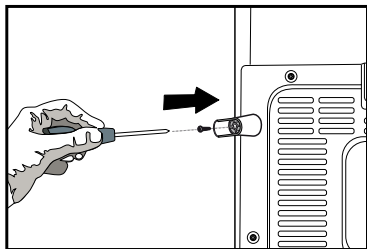
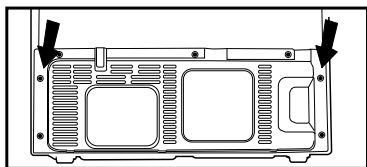
1. Je li unutrašnjost hladnjaka suha i može li zrak slobodno cirkulirati sa stražnje strane?
2. Umetnite 2 plastična klina na stražnju ventilaciju kako je prikazano na sljedećoj slici. Otvijte postojeće vijke i koristite vijke dostavljene u istoj vrećici s klinovima. Plastični klinovi će dati osigurati potrebnu udaljenost između vašeg hladnjaka i zida da bi se omogućilo cirkuliranje zraka.

Oznaka klase klime Vašeg aparata je dana na naljepnici s oznakom unutar aparata. Ona određuje pogodnu temperaturu okoline za rad, kako je prikazano dolje.

Klimatske klase Temperature okoline

SN+10 °C do 32 °C
N+16 °C do 32 °C
ST+18 °C do 38 °C
T+18 °C do 43 °C
SN-ST+10 °C do 38 °C
SN-T+10 °C do 43 °C

3. Očistite unutrašnjost hladnjaka kako je preporučeno u dijelu "Čišćenje i održavanje".
4. Uključite hladnjak u zidnu utičnicu. kad su vrata otvorena, uključit će se odgovarajuće unutrašnje svjetlo.
5. Čut ćete buku kad kompresor počne raditi. Tekućine i plinovi zabrtvljeni u rashladnom sustavu također mogu stvarati buku, čak i kad kompresor ne radi i to je potpuno normalno.



6. Prednji krajevi hladnjaka mogu biti topli na opip. To je u normalno. Ova područja su napravljena da budu topla da bi se se izbjegla kondenzacija.

Električno spajanje

Uključite svoj hladnjak u uzemljenu utičnicu koja je zaštićena osiguračem odgovarajućeg kapaciteta.

Važno:

- Spoj mora biti u skladu s nacionalnim zakonskim odredbama.
- Kabel napajanja mora biti lako dostupan nakon postavljanja.
- Napon i dozvoljena zaštita osiguračem su navedeni u dijelu "Tehničke specifikacije".
- Navedeni napon mora biti jednak naponu el. energije.

- Produžni kabeli i razvodnici se ne smiju koristiti za spajanje.

⚠ Oštećeni kabel napajanja mora zamijeniti kvalificirani električar.

⚠ Proizvod ne smije raditi prije popravke! Postoji opasnost od električnog udara!

Odlaganje pakiranja

Materijali pakiranja mogu biti opasni za djecu. Čuvajte materijale pakiranja dalje od dohvata djece ili ih odložite svrstavanjem u skladu s uputama o odlaganju. Nemojte ih odlagati s normalnim otpadom iz kućanstva. Pakiranje vašeg hladnjaka je proizvedeno od recikliranih materijala.

Odlaganje stalnog hladnjaka

Odlaganje vašeg starog stroja bez štete za okoliš.

- O odlaganju vašeg hladnjaka se možete konzultirati s vašim ovlaštenim dobavljačem ili centrom za sakupljanje otpada u vašoj općini.

Prije odlaganja vašeg hladnjaka, odrežite električni utikač i, ukoliko postoje bilo kakve brave na vratima, onespособite ih da biste zaštitili djecu od bilo kakve opasnosti.

Postavljanje i instalacija

Pažnja: Nikada ne uključujte hladnjak u zidnu utičnicu tijekom instalacije. Inače može doći do opasnosti po život ili ozbiljne ozljede.

Ako ulaz u prostoriju gdje će biti postavljen hladnjak nije dovoljno širok da hladnjak kroz njega prođe, pozovite ovlaštene servis da skine vrata vašeg hladnjakatako da kroz vrata prođe bočno.

1. Instalirajte vaš hladnjak na mjesto koje dopušta laku uporabu.

2. ržite vaš hladnjak podalje od izvora topline, vlažnih mjesta i direktne sunčeve svjetlosti.

3. Da bi se postigao učinkoviti rad, oko vašeg hladnjaka mora postojati odgovarajuća ventilacija.

Ako se hladnjak treba postaviti u otvor u zidu, mora postojati udaljenost najmanje 5 cm od plafona i 5 cm od zida.

Ako je pod prekriven tepihom, vaš uređaj mora biti podignut od poda 2.5 cm.

4. Stavite svoj hladnjak na ravnu površinu poda da biste spriječili tršenje.

5. Ne držite svoj hladnjak na temperaturama nižim od 10°C.

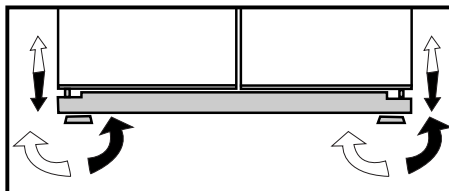
Prilagođavanje ravnoteže prema podu

Ako vaš hladnjak nije u ravnoteži;

1 - Poklopac ventilacije se skida odvijanjem vijaka kako je prikazano na slici prije postupka. Možete postaviti hladnjak u ravnotežu okretanjem prednjih nožica kako je prikazano na slici. kut gdje se nalaze noge je spušten kad okrenete u smjeru crne strelice a diže se kad okrenete u suprotnom smjeru. Ovaj postupak će biti lakši ako nekoga zamolite da malo podigne hladnjak.

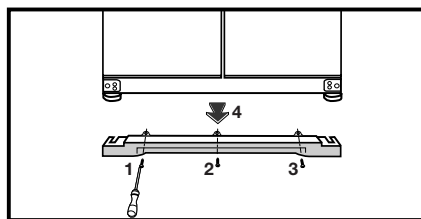
2. Kad se riješi problem s ravnotežom, vratite nazad poklopac ventilacije i zavijte vijke.

3. Uklonite vijke koji pričvršćuju donji poklopac ventilacije pomoću križnog odvijača.

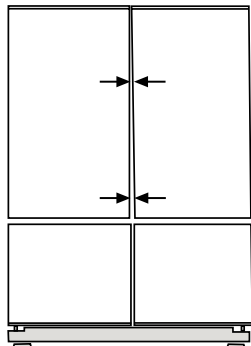


Prilagođavanje razmaka između gornjih vrata

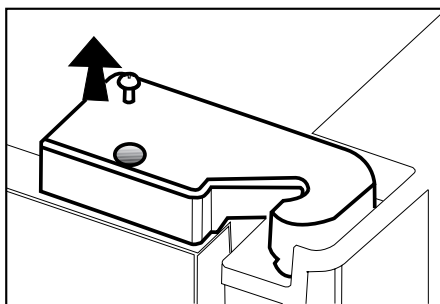
• Možete prilagoditi razmak između vrata odjeljaka hladnjaka kako je prikazano na slici.



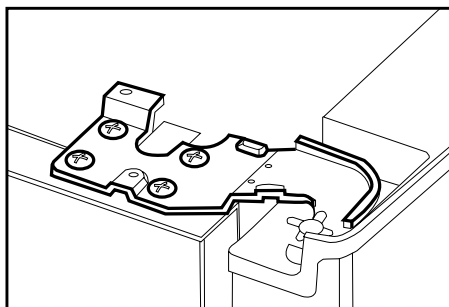
Police vrata moraju biti prazne kad prilagođavate visinu vrata.



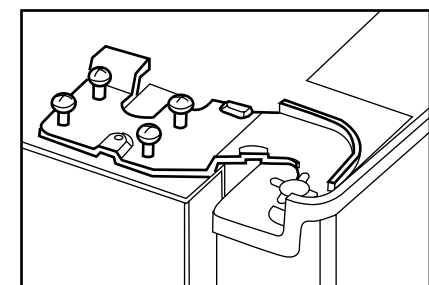
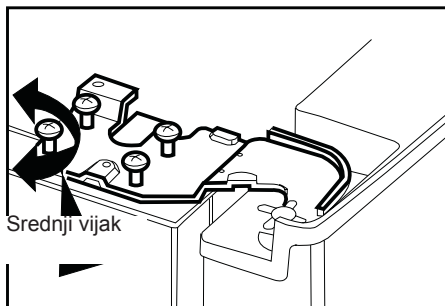
- Pomoću odvijača uklonite vijak poklopca gornje šarke vrata koja želite podesiti.



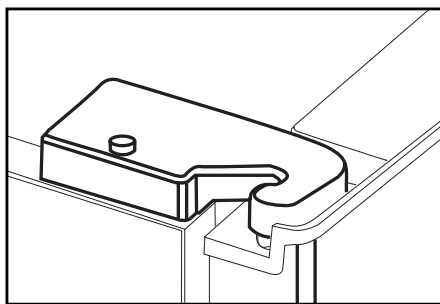
- Vratite poklopac šarke i pričvrstite vijkom.



- Podesite vrata po želji otpuštanjem vijaka.



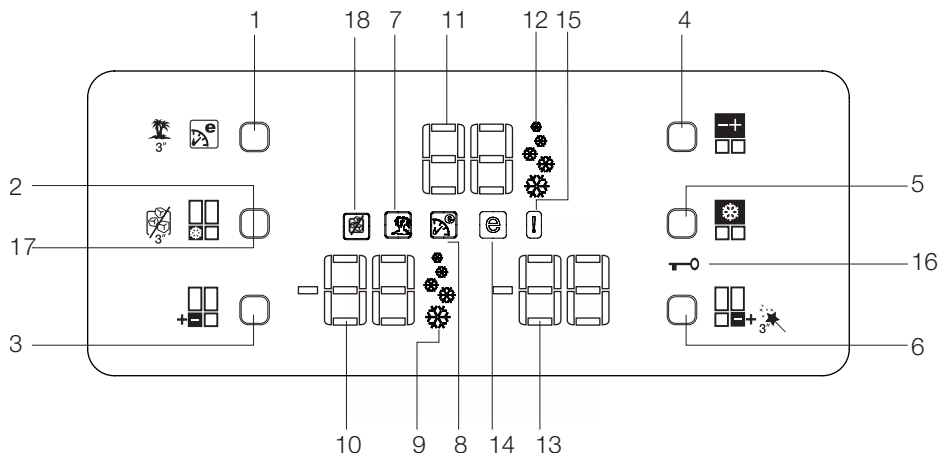
- Fiksirajte vrata koja ste podesili zavijanjem vijaka bez promjene položaja vrata.



4 Uporaba vašeg hladnjaka

Ploča indikatora

Ova ploča indikatora s upravljanjem dodirom vam omogućava postavljanje temperature bez otvaranja vrata hladnjaka. Samo prstom dodirnite odgovarajuću tipku da biste postavili temperaturu.



1. Tipka Eco Extra/Oddor
2. Tipka Brzo zamrzavanje/led isključen
3. Oznaka postavke temperature odjeljka škrinje
4. Oznaka postavke temperature odjeljka hladnjaka
5. Tipka za brzo hlađenje
6. Oznaka postavke temperature odjeljka fleksibilne zone za pohranu
7. Oznaka funkcije za odmor
8. Oznaka funkcije Eco Extra
9. Oznaka brzog zamrzavanja
10. Oznaka postavke temperature odjeljka ökrinje
11. Oznaka postavke temperature odjeljka hladnjaka
12. Oznaka funkcije brzog zamrzavanja
13. Oznaka temperature odjeljka fleksibilne zone za pohranu
14. Oznaka ekonomičnog načina rada
15. Indikator statusa greške
16. Oznaka zaključavanja tipki
17. Oznaka funkcije isključivanja leda

! Slike koje se nalaze u ovom priručniku su shematske i možda se ne ogovaraju u potpunosti vašem proizvodu. Ako dijelovi naslova nisu sadržani u proizvodu koji ste kupili, on vrijedi za ostale modele.

1. Tipka Eco Extra/Odmor

Kratko pritisnite ovu tipku da biste uključili funkciju Eco Extra. Pritisnite i držite ovu tipku 3 sekunde da biste uključili funkciju Odmor. Ponovno pritisnite ovu tipku da biste isključili odabranu funkciju.

2-Tipka brzog zamrzavanja

Kratko pritisnite ovu tipku da biste uključili funkciju brzog zamrzavanja. Ponovno pritisnite ovu tipku da biste isključili odabranu funkciju.

3. Tipka postavke temperature odjeljka škrinje

Pritisnite ovu tipku da biste postavili temperaturu odjeljka škrinje na -18, -20, -22, -24, -18. Pritisnite ovu tipku da biste postavili željenu temperaturu za odjeljak škrinje.

4. Tipka postavke temperature odjeljka hladnjaka

Pritisnite ovu tipku da biste postavili temperaturu odjeljka hladnjaka na 8, 6, 4, 2, 8... Pritisnite ovu tipku da biste postavili željenu temperaturu za odjeljak hladnjaka.

5. Tipka za brzo hlađenje

Kratko pritisnite ovu tipku da biste uključili funkciju Brzo hlađenje. Ponovno pritisnite ovu tipku da biste isključili odabranu funkciju.

6. Tipka postavke temperature odjeljka fleksibilne zone za pohranu

Možete postaviti odjeljak fleksibilne zone za pohranu kao odjeljak za zamrzavanje ili odjeljak za hlađenje. Pritisnite i držite ovu tipku 3 sekunde

da biste postavili odjeljak fleksibilne zone za pohranu kao odjeljak za zamrzavanje ili odjeljak za hlađenje. Ovaj odjeljak je tvornički postavljen kao odjeljak za zamrzavanje.

Ako je fleksibilna zona za pohranu postavljena kao odjeljak za zamrzavanje, temperatura fleksi zone za pohranu će se mijenjati s -18, -20, -22, -24, -18... svaki put kad pritisnete ovu tipku. Ako je fleksibilna zona za pohranu postavljena kao odjeljak za hlađenje, temperatura fleksi zone za pohranu će se mijenjati s -6, 0, 2, 4, 6, 8, 10... svaki put kad pritisnete ovu tipku.

7. Oznaka funkcije za odmor

Označava da je funkcija odmora uključena. Ako je ova funkcija uključena, “- -“ se pojavljuje na odjeljku hladnjaka i u odjeljku hladnjaka se ne vrši hlađenje. Drugi odjeljci će biti hlađeni u skladu s temperaturom koja je za njih postavljena.

Ponovno odgovarajuću tipku da biste isključili odabranu funkciju.

8. Oznaka funkcije Eco Extra

Označava da je funkcija Eco Extra uključena. Ako je ova funkcija uključena, vaš hladnjak će automatski otkriti zadnja razdoblja korištenja i tijekom tih razdoblja će se obavljati energetski učinkovito hlađenje. Oznaka ekonomičnog načina rada će biti uključena dok se obavlja energetski učinkovito hlađenje.

Ponovno odgovarajuću tipku da biste isključili odabranu funkciju.

9. Oznaka brzog zamrzavanja

Označava da je funkcija brzog zamrzavanja uključena. Koristite ovu funkciju kad stavite svježu hranu u odjeljak za zamrzavanje ili kad vam je potreban led. Kad je ova funkcija uključena, vaš hladnjak će raditi 6 sati bez stajanja.

Ponovno odgovarajuću tipku da biste isključili odabranu funkciju.

10. Oznaka postavke temperature odjeljka škrinje

Označava temperaturu postavljenu za odjeljak škrinje.

11. Oznaka postavke temperature odjeljka hladnjaka

Označava temperaturu postavljenu za odjeljak škrinje.

12. Oznaka funkcije brzog hlađenja

Označava da je funkcija brzog hlađenja uključena. Koristite ovu funkciju kad stavite svježu hranu u odjeljak za hlađenje ili kad vam je potrebno brzo hlađenje hrane. Kad je ova funkcija uključena, vaš hladnjak će raditi 2 sati bez stajanja.

Ponovno odgovarajuću tipku da biste isključili odabranu funkciju.

13. Oznaka temperature odjeljka fleksibilne zone za pohranu

Označava temperaturu postavljenu za odjeljak fleksibilne zone za pohranu.

14. Oznaka ekonomičnog načina rada

Označava da hladnjak radi u energetske učinkovitom načinu rada. Temperatura odjeljka škrinje
Ova oznaka će biti uključena ako je funkcija postavljena na -18 ili se zbog funkcije Eco-Extra obavlja energetske učinkovito hlađenje.

15. Indikator statusa greške

Ako vaš hladnjak ne hladi pravilno ili ako je senzor u kvaru, ova oznaka neće biti uključena. Kad je ova oznaka uključena, oznaka temperature odjeljka škrinje će prikazivati "E" i oznaka temperature odjeljka škrinje će prikazivati brojeve kao što su "1, 2, 3...". Ti brojevi na oznaci daju serviserima informacije o grešci.

16. Oznaka zaključavanja tipki

Koristite ovu funkciju ako ne želite promjenu postavke temperature vašeg hladnjaka. Da biste uključili ovu funkciju, pritisnite tipku brzog hlađenja i tipku postavke temperature fleksibilne zone za pohranu istodobno na 3 sekunde.

Ponovno pritisnite odgovarajuće tipke da biste isključili odabranu funkciju.

Alarm za otvorena vrata:

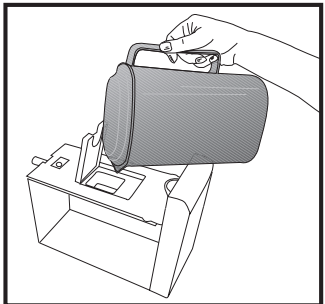
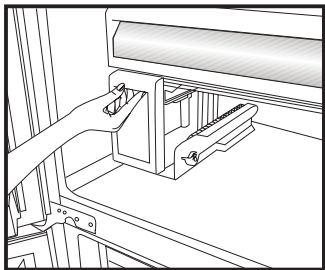
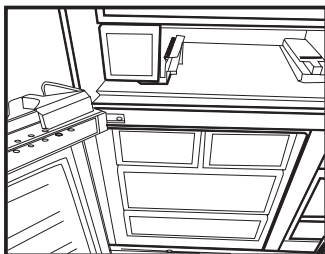
Ako vrata odjeljka hladnjaka ili vrata fleksibilne zone za pohranu ostanu otvorena najmanje 1 minutu, uključit će se zvučni alarm za otvorena vrata. Za utišavanje alarma, samo pritisnite bilo koju tipku na indikatoru ili zatvorite otvorena vrata.

17. Led isključen

Da biste zaustavili stvaranje leda, pritisnite tipku “Led isključen”. Kad se odabere Led isključen, voda se neće primati u ledomat. Međutim, već postojeći led se može vaditi iz raspršivača. Za ponovno pokretanje stvaranja leda, ponovno se mora pritisnuti tipka “led isključen”.

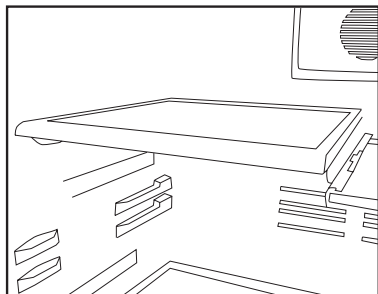
Auto ledomat

Sustav automatskog ledomata omogućava jednostavno dobivanje leda iz vašeg hladnjaka. Izvadite spremnik za vodu u odjeljku hladnjaka, napunite ga vodom i vratite nazad da biste dobili led iz ledomata. Prvi led će biti dostupan za 2 sata u ladici za led koja se nalazi u odjeljku škrinje. Ako je spremnik za vodu potpuno pun, možete dobiti 70 kockica leda. Promijenite vodu u spremniku za vodu ako ostane u njemu dulje od 2-3 tjedna.



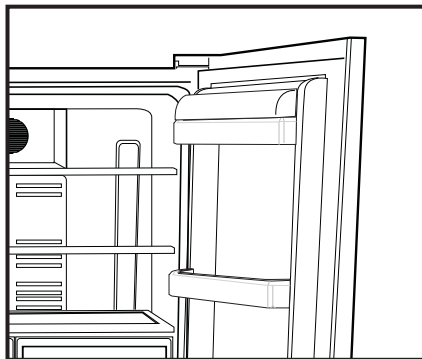
Klizne police kućišta sa stražnjim vješalicama

Klizne police kućišta sa stražnjim vješalicama se mogu pomicati naprijed i nazad. Visina se također može prilagoditi vađenjem i stavljanjem na donji ili gornji položaj. Lagano podignite policu gore i povucite prema sebi da je izvadite.



Dio za maslac i sir

Hrana kao što su maslac, sir i margarin se čuva u ovom pretincu koji ima poklopac.



Polica za jaja

- Možete instalirati policu za jaja na vrata ili policu kućišta, po želji.
- Nikada ne stavljajte držač jaja u odjeljak škrinje.

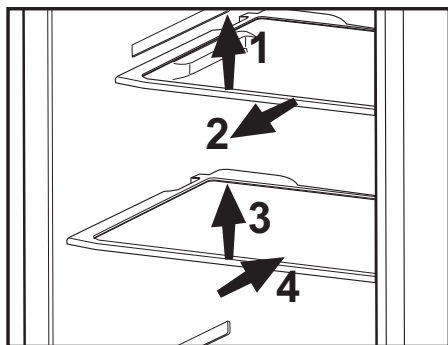
Klizne police kućišta

• Klizne police kućišta se mogu povući laganim podizanjem s prednjeg dijela i pomicanjem naprijed i nazad. Kad se povuku prema naprijed, dođu do mjesta gdje se zaustave da biste mogli doći do hrane koja se nalazi na stražnjem dijelu police; kad se povuče nakon što se lagano podigne prema gore na drugoj točki zaustavljanja, polica kućišta će biti otpuštena.

Polica se treba držati čvrsto i s donjeg dijela da bi se spriječilo prevrtanje.

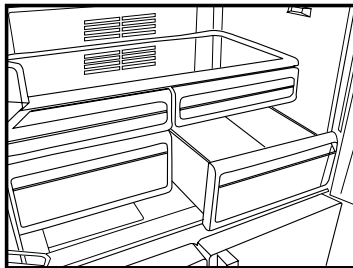
Polica kućišta se stavlja na vodilice na bočnom dijelu hladnjaka tako da je stavite na jednu razinu više ili niže.

Polica kućišta se treba gurnuti prema nazad da bi do kraja sjela na mjesto.



Odjeljak za povrće

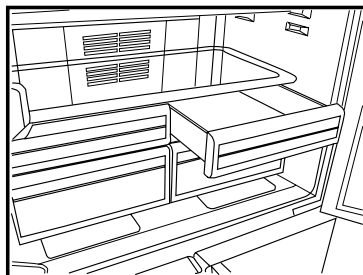
Odjeljak za voće i povrće vašeg hladnjaka je napravljen posebno tako da vaše povrće održava svježim a da ne izgube svoju vlagu. Zbog toga dolazi do cirkulacije zraka oko odjeljka za povrće općenito.



Odjeljak za hlađenje

Odjeljci za hlađenje omogućavaju pripremu hrane koja se treba zamrznuti za zamrzavanje. Možete također koristiti ove odjeljke ako želite držati hranu na temperaturi nekoliko stupnjeva ispod odjeljka hladnjaka.

Možete povećati unutarnji volumen vašeg hladnjaka uklanjanjem bilo kojeg odjeljka za male obroke. Da biste to uradili, povucite odjeljak prema sebi; odjeljak će se nagnuti prema stoperu i stati. Odjeljak će se otpustiti kad ga podignete oko 1 cm i povučete prema sebi.

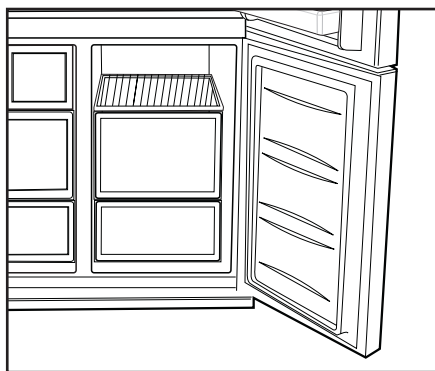


Okretanje srednjeg dijela

Okretanje srednjeg dijela je predviđeno za sprječavanje izlaženja hladnog zraka iz vašeg hladnjaka. Okretanje srednjeg dijela pomaže u brtvljenju jer brtve na vratima pritišću površinu okretnog srednjeg dijela dok su vrata odjeljka hladnjaka zatvorena. Drugi razlog zbog kojeg je vaš hladnjak opremljen okretnim srednjim dijelom je što on povećava volumen odjeljka hladnjaka. Standardni srednji dijelovi zauzimaju neiskoristivi volumen u hladnjaku.

Odjeljak za pohranu s fleksibilnim zonama

Odjeljak za pohranu s fleksibilnim zonama u vašem hladnjaku se može koristiti u bilo kojem željenom načinu rada prilagođavanjem na temperature hladnjaka (2/4/6/8 °C) ili škrinje (-18/-20/-22/-24). Možete držati odjeljak na željenoj temperaturi pomoću tipke

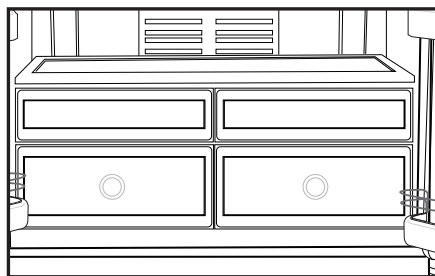


za postavljanje temperature odjeljka za pohranu s fleksibilnim zonama. Temperatura odjeljka za pohranu s fleksibilnim zonama se može postaviti na 0 do 10 stupnjeva, osim temperatura odjeljka hladnjaka i na -6 stupnjeva osim temperatura odjeljka škrinje. 0 stupnjeva se koristi za dulju pohranu delicata, a -6 stupnjeva se koristi za čuvanje mesa do 2 tjedna u stanju koje se lako reže.

i Značajka prebacivanja odjeljka hladnjaka ili škrinje se postiže tim da se jedinica za hlađenje nalazi u zatvorenim dijelu (odjeljak kompresora) iza hladnjaka. Tijekom rada ovog elementa, on zvuči slično zvuku sekundi analognog sata. to je normalno i nije uzrok kvara.

Plavo svjetlo

Hrana spremljena u spremnicima za voće i povrće se osvjetljava plavim svjetlom da bi se nastavila njihova fotosinteza valnom duljinom plavog svjetla te zato ona održava svježinu i povećava se njihov sadržaj vitamina.



5 Održavanje i čišćenje

- ⚠ Nikada za čišćenje nemojte koristiti benzin ili slične materijale.
- ⚠ Savjetujemo da isključite uređaj iz struje prije čišćenja.
- ⓘ Nikada za čišćenje nemojte koristiti oštre predmete ili abrazivne tvari, sapun, tekućinu za čišćenje kućanstva, deterdžent ili vosak za poliranje.
- ⓘ Koristite mlaku vodu za čišćenje kutije hladnjaka i osušite ga krpom.
- ⓘ Koristite ocijeđenu vlažnu krpu potopljenu u otopini jedne žličice sode bikarbone na pola litre vode da biste očistili unutrašnjost i osušite je krpom.
- ⚠ Pazite da voda ne uđe u kućište lampe i druge električne dijelove.
- ⚠ Ako se aparat neće koristiti dulje vrijeme, isključite ga, izvadite svu hranu, očistite ga i ostavite vrata otvorena.
- ⓘ Provjeravajte brtve na vratima redovito da biste bili sigurni da su čisti i da na njima nema dijelova hrane.
- ⓘ Da biste skinuli police s vrata, izvadite sav sadržaj i tada jednostavno gurnite policu vrata gore iz osnove.

Zaštita plastičnih površina

- ⓘ Ne stavljajte tekuće ulje ili jela kuhana na ulju u vaš hladnjak u nezatvorenim posudama jer oni mogu oštetiti plastične površine hladnjaka. U slučaju prolijevanja ili razmazivanja ulja na plastičnim površinama, odmah očistite i isperite odgovarajuće dijelove površine toplom vodom.

6 preporučenih rješenja za probleme

Molimo provjerite popis prije zvanja servisa. To vam može uštedjeti vrijeme i novac. Popis sadrži česte reklamacije koje nisu posljedica oštećenja u proizvodnji ili uporabi. Neke od opisanih mogućnosti možda ne postoje na vašem proizvodu.

Hladnjak ne radi
<ul style="list-style-type: none">• Je li hladnjak pravilno uključen na napajanje? Uključite utikač u utičnicu u zidu.• Je li pregorio osigurač utičnice na koju je priključen vaš hladnjak? Provjerite osigurač.
kondenzacija na bočnoj stijenci odjeljka hladnjaka. (MULTI ZONA, UPRAVLJANJE HLAĐENJEM ili FLEKSI ZONA)
<ul style="list-style-type: none">• Jako hladna okolina. Često otvaranje i zatvaranje vrata. Jako vlažna okolina. Čuvanje hrane koja sadrži tekućinu u otvorenim posudama. Ostavljanje vrata odškrinutim.• Prebacivanje termostata na hladniji stupanj.• Smanjivanje vremena kad su vrata otvorena ili rjeđa uporaba.• Prekrivanje hrane spremjene u otvorenim posudama odgovarajućim materijalom.• Obrišite kondenzat pomoću suhe krpe i provjerite ukoliko se i dalje javlja.
Kompresor ne radi
<ul style="list-style-type: none">• Zaštitni termički dio kompresora će pregoriti tijekom naglih nestanaka el. energije ili isključivanja priključaka jer tlak rashladnog sredstva u sustavu za hlađenje hladnjaka nije još izbalansiran.• Vaš hladnjak će početi s radom otprilike nakon 6 minuta. Molimo nazovite servis ako se vaš hladnjak ne uključi na kraju ovog razdoblja.• Hladnjak je u ciklusu odmrzavanja. To je normalno za hladnjak s potpuno automatskim odmrzavanjem. Ciklus za odmrzavanje se događa periodički.• Vaš hladnjak nije uključen u utičnicu. Pazite da je utikač dobro utaknut u zidnu utičnicu.• Je li temperatura pravilno postavljena? Došlo je do nestanka struje. Zovite vašeg dobavljača el.energije.
Hladnjak radi često ili dugotrajno.

- Vaš novi hladnjak je možda širi od prethodnog. To je u potpunosti normalno. Veći hladnjaci rade dulje.
- Sobna temperatura je možda visoka. To je potpuno normalno.
- Hladnjak je možda nedavno priključen na el.energiju ili je možda napunjen hranom. Potpuno hlađenje hladnjaka može trajati nekoliko sati dulje.
- Možda su nedavno u hladnjak stavljene velike količine tople hrane. Topla hrana uzrokuje dulji rad hladnjaka dok ne dostigne sigurnu temperaturu za čuvanje.
- Vrata su možda često otvarana ili ostavljena odškrinuta dulje vrijeme. Topli zrak koji je ušao u hladnjak uzrokuje da hladnjak radi dulje vrijeme. Rjeđe otvarajte vrata.
- Vrata škrinje ili hladnjaka su možda bila odškrinuta. Provjerite jesu li vrata čvrsto zatvorena.
- Hladnjak je postavljen na vrlo nisku temperaturu. Prilagodite temperaturu hladnjaka na topliju razinu dok se ne postigne temperatura.
- Brtva vrata hladnjaka ili škrinje može biti prljava, pohabana, oštećena ili nije dobro sjela. Očistite ili zamijenite brtvu. Oštećena/pokidana brtva uzrokuje dulji rad hladnjaka da bi se održala trenutna temperatura.

Temperatura hladnjaka je vrlo niska dok je temperatura frižidera dovoljna.

- Temperatura hladnjaka je postavljena na vrlo nisku temperaturu. Prilagodite temperaturu hladnjaka na topliji stupanj i provjerite.

Temperatura frižidera je vrlo niska dok je temperatura hladnjaka dovoljna.

- Temperatura hladnjaka je postavljena na vrlo nisku temperaturu. Prilagodite temperaturu hladnjaka na topliji stupanj i provjerite.

Hrana koja se čuva u ladicama hladnjaka se smrzava.

- Temperatura hladnjaka je postavljena na vrlo nisku temperaturu. Prilagodite temperaturu hladnjaka na topliji stupanj i provjerite.

Temperatura u hladnjaku ili škrinji je previsoka.

- Temperatura hladnjaka je postavljena na vrlo visoku temperaturu. Prilagođavanje hladnjaka ima utjecaja na temperaturu škrinje. Mijenjajte temperaturu hladnjaka ili škrinje dok temperatura hladnjaka ili škrinje ne dosegne dovoljnu razinu.
- Možda su vrata odškrinuta. Zatvorite vrata do kraja.
- Možda su nedavno u hladnjak stavljene velike količine tople hrane. Čekajte dok hladnjak ili škrinja ne dosegnu željenu temperaturu.
- Hladnjak je možda uključen nedavno. Potpuno hlađenje hladnjaka može potrajati zbog veličine.

Iz hladnjaka dolazi buka slična sekundama oja se čuje iz analognog sata.

<ul style="list-style-type: none"> • Ova buka dolazi iz elektromagnetskog ventila hladnjaka. Elektromagnetski ventil služi osiguravanju prolaska rashladnog sredstva kroz odjeljak koji se može prilagoditi temperaturama hlađenja ili zamrzavanja i obavljanja funkcija hlađenja. to je normalno i nije uzrok kvara.
Buka tijekom rada se povećava kad hladnjak radi.
<ul style="list-style-type: none"> • Radne performanse hladnjaka se mogu promijeniti ovisno o promjenama sobne temperature. To je normalno i ne predstavlja kvar.
Vibracije ili buka.
<ul style="list-style-type: none"> • Pod nije ravan ili je slab. Hladnjak se njiše kad se polako pomiče. Pazite da je pod ravan, jak i da može nositi hladnjak. • Buka može biti uzrokovana predmetima koji se nalaze na hladnjaku. Takvi predmeti se moraju ukloniti s hladnjaka.
Čuje se buka poput prolijevanja tekućine ili špricanja.
<ul style="list-style-type: none"> • Protok tekućine i plinova se događa u skladu s radnim principima vašeg hladnjaka. To je normalno i ne predstavlja kvar.
Čuje se buka poput puhanja vjetra.
<ul style="list-style-type: none"> • Aktivatori zraka (ventilatori) se koriste da bi se hladnjak učinkovito hladio. To je normalno i ne predstavlja kvar.
Kondenzacija na unutarnjim stjenkama hladnjaka.
<ul style="list-style-type: none"> • Toplo i vlažno vrijeme povećava nastanak leda i kondenziranje. To je normalno i ne predstavlja kvar. • Vrata su odškrinuta. Pazite da su vrata zatvorena do kraja. • Vrata su možda često otvarana ili su dulje vrijeme bila otvorena. Rjeđe otvarajte vrata.
Vlaga se pojavljuje na vanjskom dijelu hladnjaka ili između vrata.
<ul style="list-style-type: none"> • Možda je vlažno vrijeme. To je potpuno normalno kod vlažnog vremena. Kad je vlažnost manja, kondenzat će nestati.
Neugodan miris unutar hladnjaka.
<ul style="list-style-type: none"> • Mora se očistiti unutrašnjost hladnjaka. Očistite unutrašnjost hladnjaka spužvom, toplom ili gaziranom vodom. • Neugodan miris možda uzrokuju neke posude ili materijali pakiranja. Koristite neku drugu posudu ili drugačiju marku materijala za pakiranje.
Vrata se ne zatvaraju.
<ul style="list-style-type: none"> • Paketi hrane možda sprječavaju zatvaranje vrata. Uklonite pakete hrane koji smetaju vratima. • Hladnjak vjerojatno nije potpuno okomit prema podu i možda se njiše kad se lagano pomiče. Prilagodite vijke za podizanje. • Pod nije ravan ili jak. Pazite da je pod ravan i da može nositi hladnjak.
Odjeljci za voće i povrće su zaglavljani.
<ul style="list-style-type: none"> • Hrana možda dodiruje vrh ladiice. Presložite hranu u ladići.

لطفا این دفترچه راهنما را اول مطالعه کنید!

مشتری عزیز،




امیدواریم که دستگاه شما که در کارخانه های مدرن ساخته شده است و تحت دقیق ترین شرایط کنترل کیفیت آزمایش شده است به شما سرویس موثری را ارائه نماید. بدین منظور، توصیه می کنیم که کل این دفترچه را قبل از استفاده از دستگاه با دقت بخوانید و آن را برای مراجعات بعدی در محلی نگهداری کنید.

این دفترچه راهنما

- به شما کمک خواهد کرد تا از دستگاه به سرعت و به صورت ایمن استفاده کنید.
- این دفترچه راهنما را قبل از نصب و راه اندازی دستگاه مطالعه کنید.
- دستورالعملها را دنبال کنید، خصوصا در مورد ایمنی.
- این دفترچه راهنما را در محلی نگهداری کنید که دسترسی به آن آسان باشد چون ممکن است به آن نیاز داشته باشید.
- بعلاوه، سایر اسناد ارائه شده با این دستگاه را هم مطالعه نمایید.
- لطفا دقت کنید که این دفترچه ممکن است برای مدل‌های دیگر هم قابل استفاده باشد.

علائم و شرح آنان

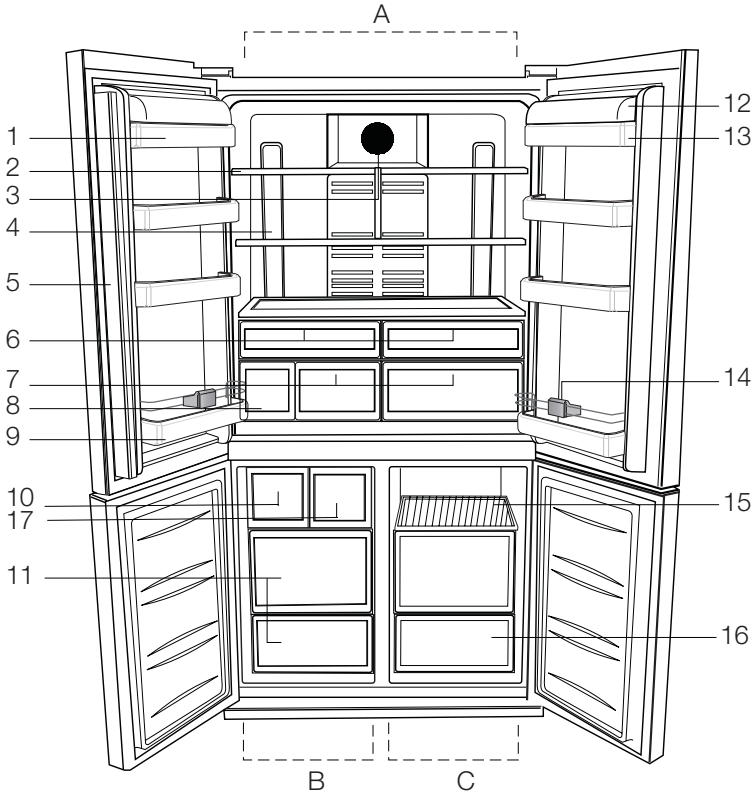
این دفترچه راهنما حاوی علائم زیر است:

-  اطلاعات مهم یا نکات مفید برای استفاده از دستگاه.
-  هشدار در مورد شرایط خطرناک برای جان افراد و خانه.
-  هشدار مربوط به ولتاژ برق

این دستگاه در بر دارنده نماد طبقه بندی انتخابی برای اسراف تجهیزات الکتریکی و الکترونیکی می باشد (WEEE). این بدین معنی است که این دستگاه برای بازیافت شدن یا نابود شدن بجهت حداقل اثر آن بر محیط زیست باید بر اساس راهنمای European Directive 2002/96/EC دنبال گردد. برای اطلاعات بیشتر، لطفا با مراکز مجاز یا محلی تماس بگیرید.



دستگاه های الکترونیکی که در پروسه طبقه بندی انتخابی قرار نمیگیرند بعلت مواد خطرناک دارای پتانسیل خطرناکی برای سلامت محیط و انسان می باشند.



- A محفظه یخچال
- B محفظه فریزر
- C منطقه فلکسی

- | | |
|------------------------------------|---------------------------------------|
| 1- طبقات درب محفظه یخچال | 9- طبقه بطری |
| 2- محفظه یخچال با طبقات قابل تنظیم | 10- یخ ساز |
| 3- قاب پخش کننده | 11- محفظه های نگهداری غذاهای فریز شده |
| 4- لنزهای روشنایی | 12- قاب قفسه کره و پنیر |
| 5- بخش چرخان وسط | 13- قفسه کره و پنیر |
| 6- محفظه سردکن | 14- نگهدارنده بطری |
| 7- محل نگهداری سبزیجات | 15- محفظه های نگهداری |
| 8- مخزن آب | 16- محفظه لبنیات |
| | 17- تازه کشو فریزر |

❗ اشکالی که در این راهنمای دستورالعمل ترسیم شده اند ممکن است مطابق با دستگاه شما نباشند. اگر قطعات مورد مشاهده مشمول دستگاهی که شما خریده اید نمی باشد میتواند برای مدل های دیگر باشد.

لطفاً به اطلاعات زیر را مطالعه کنید. عدم رعایت

- این اطلاعات ممکن است باعث ایجاد جراحت یا آسیبهای جدی شود. در نتیجه کلیه ضمانت و تعهدات باطل خواهند شد.
- عمر استفاده از دستگاه خریداری شده ۱۰ سال می باشد. این مدت زمانی است که قطعات یدکی مورد نیاز دستگاه به شرح داده شده نگهداری خواهند شد.

استفاده مجاز

از دستگاه باید در این موارد استفاده شود:

- در فضاهای سرپوشیده و بسته مانند منازل؛
- در محیطهای کاری بسته مانند فروشگاهها و دفاتر؛
- در مناطق سرپوشیده مانند خانه های روستایی، هتلها و پانسیونها.
- از این محصول در بیرون از خانه نباید استفاده کرد.

ایمنی عمومی

- اگر می خواهید این محصول را از رده خارج کنید، ما توصیه میکنیم با لحاظ کسب اطلاعات لازم با مقامات و سرویس مجاز مشورت نمایید.
- کلیه سوالات و مشکلات مربوط به یخچال خود را با سرویس مجاز در میان بگذارید. بدون اطلاع سرویس مجاز در مسائل یخچال مداخله نکنید و اجازه ندهید کسی در این موارد مداخله کند.
- در محصولاتی که دارای محفظه فریزر می باشند، بستنی قیفی و یا قالب های یخ را بمحض خارج کردن از محفظه فریزر نخورید! (این امر ممکن است روی لب های شما ایجاد سرمازدگی نماید).
- در محصولاتی که دارای محفظه فریزر می باشند بطری و قوطیهای نوشیدنیهای مایع را در محفظه فریزر قرار ندهید. در غیر این صورت، ممکن است منفجر شوند.
- غذاهای فریز شده را با دست لمس نکنید، ممکن است به دست های شما بچسبند.
- قبل از تمیز کردن یا آب کردن یخ دستگاه دوشاخه را از پریز بیرون بکشید.
- مواد تبخیری یا تمیز کننده تبخیری هرگز نباید برای تمیز کردن و یخ زدایی فریزر استفاده گردند. در چنین مواردی، بخار گاز ممکن است با قطعات برقی تماس پیدا کند و موجب اتصال کوتاه و شوک الکتریکی گردد.
- هرگز از قسمت های یخچال مثل درب بعنوان پشتیبان یا پله استفاده نکنید.
- از وسایل برقی داخل یخچال استفاده نکنید.
- قسمت هایی که در آن مواد سرد کننده در گردش است با دریل کردن یا ابزار برشی صدمه نزنید.
- ماده سرد کننده ای که ممکن است بهنگام صدمه خوردن به کانالهای گاز، امتداد لوله یا سطوح پوششدار خارج شوند موجب صدمه زدن پوست و لطمه به چشم ها گردند.
- منافذ تهویه یخچال را با هیچ مانعی مسدود نکنید و نپوشانید.
- دستگاههای برقی فقط باید توسط افراد مجاز تعمیر شوند. تعمیرات توسط افراد فاقد صلاحیت ممکن است موجب ریسک شوک الکتریکی برای کاربر گردند.
- در صورت هر گونه خرابی یا بهنگام کار های تعمیراتی برق یخچال را با کشیدن فیوز یا خارج کردن دوشاخه یخچال از برق شهر قطع نمایید.
- هنگام کشیدن دوشاخه از پریز، کابل برق را نکشید. نوشیدنی را با درب کاملاً محکم بصورت عمودی قرار دهید.
- هرگز قوطیهای اسپری قابل اشتعال و مواد منفجره را در یخچال نگهداری نکنید.
- از وسایل مکانیکی یا ابزار های دیگر برای تسریع یخ زدایی غیر از مواردیکه که کارخانه توصیه کرده است استفاده ننمایید.
- این دستگاه برای استفاده اشخاصی که دارای وضعیت ضعیف جسمانی (شامل کودکان)، حساسیت و یا عقب ماندگی ذهنی و یا عدم داشتن تجربه و درک صحیح از آن هستند نمی باشد، مگر اینکه اینگونه اشخاص تحت آموزش و یا سرپرستی توسط افرادی که مسئولیت حفاظت از آنها را دارند در رابطه با این دستگاه قرار داشته باشند.
- یک یخچال صدمه دیده را راه اندازی نکنید. در صورتی که با مشکلی روبرو شدید با نماینده سرویس تماس بگیرید.
- ایمنی الکتریکی یخچال شما وقتی تضمین می گردد که سیم اتصال زمین منزل شما با استانداردهای معین تطابق داشته باشد.
- بخاطر ایمنی الکتریکی، قرار دادن دستگاه در معرض باران، برف، آفتاب و باد خطر ناک است.

آتش سوزی به وجود خواهد آمد. یخچال خود را بیش از حد پر نکنید. در صورتی که در یخچال بیش از حد مواد قرار دهید، مواد غذایی ممکن است سقوط کرده و به شما و یخچال به هنگام باز کردن در صدمه بزنند. هرگز اشیاء را در بالای یخچال قرار ندهید. این اشیاء ممکن است هنگام باز و بسته کردن در یخچال سقوط کنند. محصولات که نیاز به کنترل دقیق درجه حرارت دارند مانند واکسن، داروهای حساس به حرارت، مواد علمی و غیره را نباید در یخچال نگهداری کرد. اگر برای مدت طولانی از یخچال استفاده نمی کنید، دوشاخه آن را از پریز بیرون بکشید. اگر سیم برق آسیب دیده باشد، ممکن است باعث آتش سوزی شود. نوک دو شاخه باید به صورت منظم تمیز شود در غیر این صورت ممکن است باعث آتش سوزی شود. نوک دو شاخه باید به صورت منظم با یک پارچه خشک تمیز شود در غیر این صورت ممکن است آتش سوزی ایجاد شود. یخچال را می توانید در صورتی که پایه های قابل تنظیم روی کف زمین قرار نگرفته باشند، جابجا کنید. تنظیم کردن صحیح پایه های قابل تنظیم روی کف زمین می تواند از حرکت دستگاه جلوگیری بعمل آورد. هنگام حمل دستگاه، آن را از دسته در نگه ندارید. در غیر این صورت می شکنند. هنگامی که می خواهید دستگاه را در کنار یخچال یا فریزر دیگر قرار دهید، فاصله بین دستگاهها باید حداقل ۸ سانتی متر باشد. در غیر این صورت، ممکن است روی دیواره های کناری دستگاه قطرات آب جمع شود.

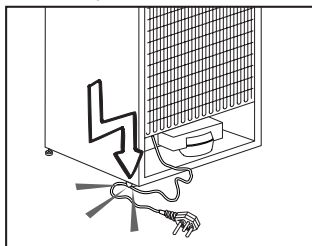
در محصولاتی که دارای شیر آب می باشند؛

فشار آب باید حداقل ۱ بار باشد. فشار آب باید حداکثر ۸ بار باشد. فقط از آب آشامیدنی استفاده کنید.

ایمنی کودکان

اگر در دارای قفل باشد، کلید را باید از دسترس کودکان دور نگاه داشت.

- در صورتی که سیم برق صدمه دیده باشد با سرویس مجاز تماس بگیرید تا از بروز خطر جلوگیری کنید.
- هرگز دوشاخه یخچال را بهنگام نصب به پریز برق نزنید. در غیر این صورت، ریسک جانی یا صدمات جدی بدنبال خواهد داشت.
- این یخچال برای ذخیره مواد غذایی در نظر گرفته شده است. از دستگاه برای موارد دیگر نباید استفاده شود.
- برچسب مشخصات فنی دستگاه در داخلی یخچال روی دیواره سمت چپ قرار گرفته است.
- هرگز یخچال خود را به سیستمهای صرفه جویی برق وصل نکنید. این دستگاهها به یخچال صدمه می زنند.
- اگر چراغ آبی در یخچال روشن شده باشد، به لوازم چشمی به آن نگاه نکنید.
- برای دستگاههایی که به صورت دستی کنترل می شوند، حداقل ۵ دقیقه بعد از قطع شدن برق صبر کنید و پس از آن دستگاه را روشن کنید.
- این دفترچه راهنما در صورتی که دستگاه به فرد دیگری داده شود باید به او تحویل داده شود.
- از آسیب رساندن به سیم برق هنگام انتقال دستگاه جلوگیری بعمل آورید. خم کردن کابل ممکن است باعث آتش سوزی شود. هرگز اشیاء سنگین را روی کابل برق قرار ندهید. با دستان خیس دوشاخه دستگاه را به پریز وصل نکنید.



- دوشاخه یخچال را در صورتی که پریز برق شل باشد یا خراب باشد به پریز وصل نکنید. به خاطر مسائل ایمنی آب نباید به طور مستقیم روی قطعات داخلی یا خارجی دستگاه پاشیده شود.
- مواد حاوی گازهای قابل اشتعال مانند گاز پروپان را در مجاورت دستگاه اسپری نکنید تا از خطر آتش سوزی و انفجار جلوگیری بعمل آورید.
- هرگز ظروف پر شده از آب را در بالای یخچال قرار ندهید در غیر این صورت برق گرفتگی یا

- باید بر کار کودکان نظارت کرد تا یخچال را دستکاری نکنند.

هشدار HCA

اگر دستگاه شما حاوی ماده خنک کننده R600a می باشد موارد زیر را در نظر بگیرید:

این گاز قابل اشتعال است. بنابراین، توجه داشته باشید که سیستم سرمایش و لوله ها در خلال استفاده و حمل و نقل صدمه نبینند. در صورت صدمه دیدن، دستگاه را در معرض آتش قرار ندهید، دستگاه باید از منابع بالقوه آتشزا که موجب آتش گرفتن می شود دور باشد و هوای اتاقی که دستگاه در آن قرار دارد باید تهویه گردد.

در صورتی که دستگاه شما حاوی R134a

است این هشدار را نادیده بگیرید.

نوع گاز استفاده شده در این دستگاه در پلاک مدل دستگاه که در داخل یخچال در دیوار سمت چپ قرار گرفته است، قید شده است.

برای دفع دستگاه هرگز آن را در آتش نیاندازید.

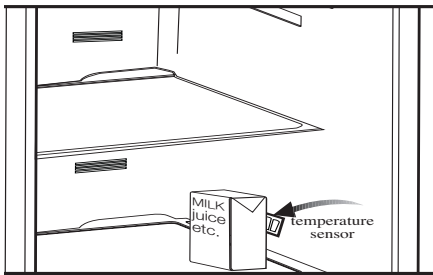
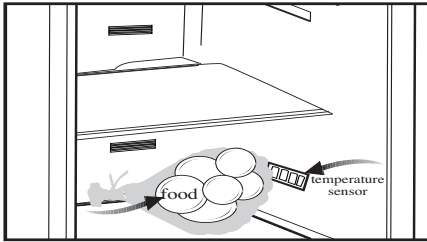
کارهایی که برای صرفه جویی انرژی باید انجام داد.

- در های یخچال را برای مدت طولانی باز نگذارید.
- مواد غذایی یا نوشیدنی داغ در یخچال نگذارید.
- یخچال را بیش از اندازه بارگیری نکنید بطوریکه از گردش هوای داخل آن جلوگیری شود.
- یخچال را در معرض اشعه مستقیم آفتاب یا در مجاورت وسایل گرمازا مثل اجاق یا ماشین ظرفشویی یا رادیاتور قرار ندهید.
- توجه کنید که مواد غذایی را در ظروف دربست نگهداری کنید.
- در محصولاتی که دارای بخش فریزر می باشند؛ هنگامی که طبقه یا کشوی فریزر را بردارید می توانید حداکثر مقدار مواد غذایی را در آن ذخیره کنید. مقدار انرژی مصرفی قید شده در یخچال شما بر اساس برداشتن طبقه یا کشوی فریزر و تحت حداکثر میزان بار تعیین شده است. استفاده از کشو یا طبقه بر اساس اندازه و شکل مواد غذایی که باید منجمد شود، خطری ندارد.
- آب کردن یخ مواد غذایی منجمد در بخش یخچال هم باعث صرفه جویی در مصرف انرژی شده و هم کیفیت مواد غذایی را حفظ می کند.

توصیه های مربوط به محفظه مواد غذایی تازه

رایتخا*

- لطفا اجازه ندهید مواد غذایی تازه با حسگر درجه حرارت در بخش مواد غذایی تازه تماس داشته باشد.
- برای حفظ درجه حرارت مناسب در بخش مواد غذایی تازه حسگر نباید با مواد غذایی تماس داشته باشد.
- غذای داغ را در یخچال قرار ندهید.



- بسته بندی اصلی و مواد فومی باید برای حمل و نقل یا جابجایی آتی نگهداری گردد.

⚠ لطفا بخاطر داشته باشید که اگر موارد مندرج در کتابچه راهنما رعایت نگردد کارخانه مسئول نخواهد بود.

نکاتی که هنگام انتقال دوباره یخچال باید در نظر گرفته شود

آماده سازی

1. یخچال شما باید قبل از حمل و نقل، خالی و تمیز شده باشد.
2. طبقات، متعلقات، محل نگهداری سبزیجات و غیره داخل یخچال شما برای جلوگیری از تکان خوردن باید با نوار چسب قبل از بسته بندی محکم بسته شوند.
3. بسته بندی باید با نوار چسب کاغذی ضخیم و طناب محکم انجام پذیرد و مقررات مندرج در کتابچه راهنما رعایت شود.

- یخچال شما باید در محلی با حداقل 30 سانتیمتر فاصله از منابع گرمازا مثل بخاری دیواری، اجاق، شوفاژ و فر و با 5 سانتیمتر فاصله از اجاق های برقی نصب گردد و نباید در معرض مستقیم اشعه آفتاب قرار گیرد.
- دمای محیط اتاق که یخچال در آن قرار گرفته است باید حداقل 10 درجه سانتیگراد باشد. راه اندازی یخچال در شرایط محیطی سردتر از این با توجه به راهنمای یخچال توصیه نمی گردد.
- لطفا مطمئن شوید که داخل یخچال شما کاملا تمیز می باشد.
- اگر دو یخچال کنار یکدیگر قرار می گیرند باید حداقل 2 سانتیمتر از هم دیگر فاصله داشته باشند.
- وقتیکه یخچال برای بار اول راه اندازی می شود، لطفا موارد زیر را در خلال کارکرد شش ساعت اول رعایت نمایید.

لطفا موارد زیر را فراموش نکنید ...
هر مواد بازیافتی یک منبع ضروری برای طبیعت و منابع ملی ما است.
اگر می خواهید در بازیافت مواد بسته بندی مشارکت کنید، می توانید اطلاعات بیشتری از مقامات محلی یا محیط زیست خود کسب کنید.

نرخ رده بندی دستگاه شما روی برچسب رده بندی داخل دستگاه ارائه شده است. این برچسب عملکرد مناسب در دمای محیط را بشرح زیر مشخص میکند

رده بندی ناحیه جوی دماهای محیط

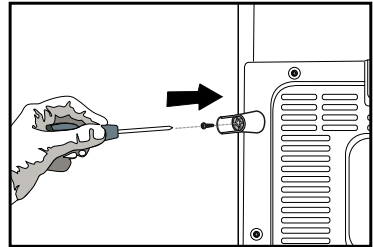
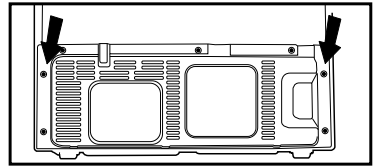
SN	+10 تا 32	درجه سانتیگراد
N	+16 تا 32	درجه سانتیگراد
ST	+18 تا 38	درجه سانتیگراد
T	+18 تا 43	درجه سانتیگراد
SN-ST	+10 تا 38	درجه سانتیگراد
SN-T	+10 تا 43	درجه سانتیگراد

- درب نباید متناوبا باز گردد.
- باید بدون قرار دادن مواد غذایی و خالی کار کند.
- یخچال را بیش از حد بارگیری نکنید. اگر برق قطع گردید، لطفا به قسمت اخطارها " کارهایی که باید قبل از فراخواندن سرویس مجاز انجام دهید" مراجعه کنید.

قبل از کار کردن با یخچال

قبل از راه اندازی دستگاه برای استفاده موارد زیر را بررسی کنید:

1. آیا داخل یخچال خشک است و هوا می تواند آزادانه در پشت آن به گردش درآید؟
2. عدد گوه پلاستیکی را در تهویه پشت به روش نمایش داده شده در شکل زیر جا بزنید. پیچهای موجود را باز کنید و از پیچهایی که در کیسه گوه ها ارائه شده است استفاده کنید. گوه های پلاستیکی فاصله لازم بین یخچال و دیوار را بوجود می آورند تا هوا بتواند گردش کند.



3. داخل یخچال را به صورت توصیه شده در بخش "نگهداری و تمیز کردن" تمیز کنید.
4. دوشاخه یخچال را در پریز برق بزنید. وقتی که درب باز میشود لامپ داخلی مربوطه روشن خواهد گردید.
5. شما صداهایی را بهنگام کار کمپرسور خواهید شنید. گاز ها و مایعات درونی سیستم یخچال حتی اگر کمپرسور کار نکند ممکن است موجب نویز گردند که این امر کاملاً طبیعی است.
6. لبه های جلویی یخچال ممکن است گرم شوند. این امر نرمال است. این نواحی به منظور گرم شدن برای پرهیز از تراکم طراحی شده اند.

مهم:

- اتصال باید مطابق مقررات کشوری باشد.
 - دوشاخه برق باید بعد از نصب به آسانی در دسترس باشد.
 - ولتاژ و فیوز حفاظتی مجاز در بخش "مشخصات" قید شده است.
 - ولتاژ تعیین شده باید برابر با ولتاژ برق منزل باشد.
 - از کابلهای اتصال و دوشاخه های چند راهه نباید برای اتصال استفاده کرد.
- ⚠️ یک کابل برق صدمه دیده را باید یک بار مجاز تعویض نماید.

⚠️ این دستگاه را نباید قبل از تعمیر کردن بکار انداخت! خطر برق گرفتگی وجود دارد!

دور انداختن بسته بندی

مواد بسته بندی ممکن است برای بچه ها خطرناک باشد. مواد بسته بندی را دور از دسترس کودکان نگه داری کنید یا آنها را با طبقه بندی کردن بر اساس دستورالعمل دفع زباله دور بیندازید. این مواد را مانند زباله خانگی دور بیندازید. بسته بندی یخچال شما از مواد قابل بازیافت تولید شده است.

از رده خارج کردن ماشین قدیمی

دستگاه خود را بدون صدمه رساندن به محیط زیست دور بیندازید.

- می توانید با فروشنده مجاز دستگاه یا مرکز جمع آوری زباله شهرداری خود در مورد دور انداختن یخچال تماس بگیرید.

قبل از دور انداختن یخچال، دوشاخه برق را بچینید و اگر روی در قفل وجود دارد آن را از کار بیندازید تا از کودکان در برابر هر گونه خطری حفاظت کنید.

اتصالات برقی

یخچال را با یک پریز ارت دار که توسط یک فیوز حفاظت شده است و دارای ظرفیت مناسب است به برق وصل کنید.

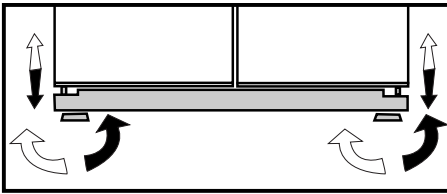
قرار دادن در محل و نصب

تنظیم تعادل روی زمین

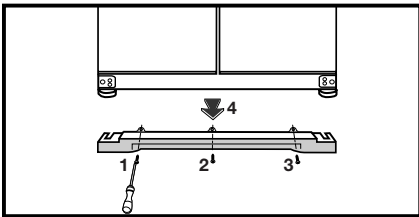
اگر یخچال شما بالانس نیست:

1- قاب تهویه با باز کردن پیچهای آن به روشی که در شکل قبل نمایش داده شده است انجام می شود. شما میتوانید یخچال را با چرخاندن پایه های جلویی به گونه ای که در شکل نشان داده شده است بالانس کنید. هنگامی پایه پایین میاید که آن را در جهت پیکان سیاه بچرخانید و هنگامی بلند میشود که در جهت عکس آن را بچرخانید. گرفتن کمک از شخصی که کمی یخچال را بلند کند این کار را تسهیل میکند.

2. بعد از اینکه بالانس دستگاه برقرار شده، قاب تهویه پشت را وصل کنید و پیچهای آن را ببندید.



3. پیچهای محکم کردن قاب تهویه پایین را با استفاده از یک پیچ گوشتی چهار سو باز کنید.



احتیاط: هرگز دوشاخه یخچال را بهنگام نصب به پریز برق نزنید. در غیر این صورت، ریسک جانی یا صدمات جدی بدنبال خواهد داشت.

اگر درب ورودی اتاقی که میخواهید یخچال را در آن قرار دهید به اندازه کافی عریض نیست تا یخچال از آن عبور کند، از سرویس مجاز بخواهید که درب ها را از یخچال شما باز کند و یکطرفه از میان درب آن را عبور دهد.

1. یخچال را در محلی قرار دهید که براحتی بتوانید از آن استفاده کنید.

2. یخچال را دور از منابع گرمازا، محل های مرطوب و اشعه مستقیم آفتاب قرار دهید.

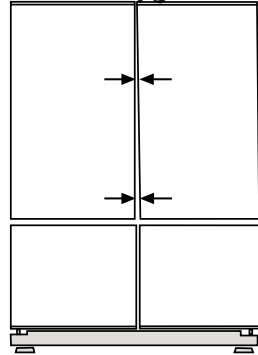
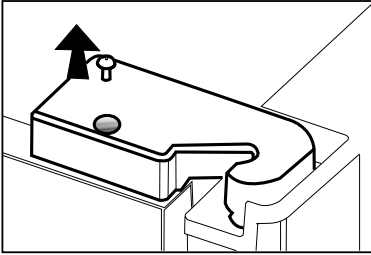
3. برای عملکرد موثر یخچال، تهویه کافی و مناسب باید در اطراف یخچال در نظر گرفته شود. اگر یخچال در فرورفتگی دیوار قرار میگیرد، حداقل 5 سانتیمتر فاصله از سقف و 5 سانتیمتر از دیوار باید در نظر گرفته شود.

اگر کف محل با فرش یا موکت پوشیده شده است، دستگاه باید با فاصله 2.5 سانتیمتر از کف بالانس گردد.

4. یخچال را برای پرهیز از تکان خوردن در سطح هموار قرار دهید.

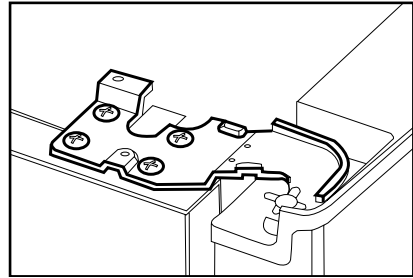
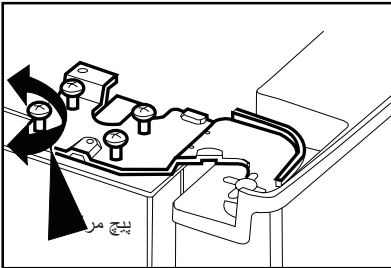
5. یخچال را در دمای محیط زیر 10 درجه سانتیگراد قرار ندهید.

تنظیم فاصله در بالا

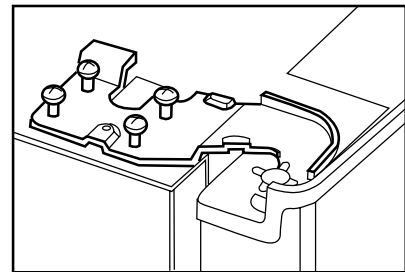
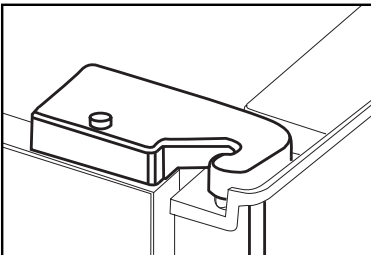


• با استفاده از یک پیچ گوشتی، پیچ لولای بالای دری که می خواهید تنظیم کنید را باز کنید.

• می توانید فاصله در های محفظه یخچال را به صورتی که در شکل نمایش داده شده است تنظیم کنید.
طبقه های در باید هنگام تنظیم ارتفاع در خالی شوند.



• در را با شل کردن پیچهای تنظیم کنید.

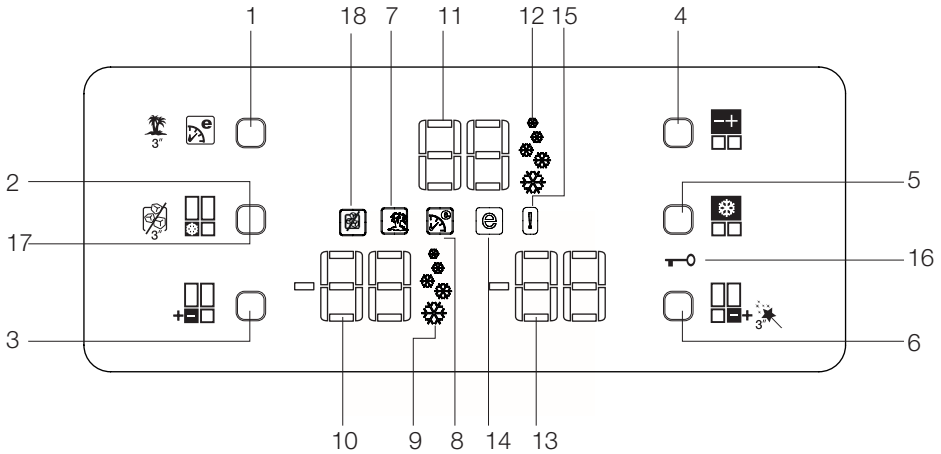


• قاب لولا را در جای خود قرار دهید و با پیچ ببندید.

• دری که تنظیم کرده اید را با بستن پیچها و بدون تغییر فاصله در محکم کنید.

پانل نشانگر

پانل کنترل لمسی به شما اجازه می دهد تا درجه حرارت را بدون باز کردن در یخچال تنظیم کنید. فقط کافی است که دکمه مربوطه را با انگشت فشار دهید تا درجه حرارت را تنظیم کنید.



- | | |
|--------------------------------------|--------------------------------|
| 1. دکمه اکو اکسترا/تعطیلات | 10. نشاندهنده دمای محفظه فریزر |
| 2. دکمه فریز سریع | 11. نشاندهنده دمای محفظه یخچال |
| 3. دکمه تنظیم درجه حرارت محفظه فریزر | 12. نشانگر عملکرد خنک کردن سرد |
| 4. دکمه تنظیم درجه حرارت محفظه یخچال | 13. دکمه تنظیم حرارت بخش فلکسی |
| 5. دکمه خنک کردن سرد | 14. نشاندهنده حالت اقتصادی |
| 6. دکمه تنظیم درجه حرارت بخش فلکسی | 15. نشاندهنده وضعیت خطا |
| 7. نشانگر عملکرد تعطیلات | 16. نشاندهنده قفل کلید |
| 8. نشاندهنده عملکرد اکسترا اکو | 17. نشانگر لغو یخ |
| 9. نشانگر عملکرد فریز سریع | 18. دکمه لغو یخ |

❗ اشکالی که در این راهنمای دستورالعمل ترسیم شده اند ممکن است مطابق با دستگاه شما نباشند. اگر قطعات مورد مشاهده مشمول دستگاهی که شما خریده اید نمی باشد میتواند برای مدل های دیگر باشد.

1. دکمه اکو اکسترا/تعطیلات

اگر بخش ذخیره فلکسی به عنوان فریزر تنظیم شود، هر بار که این دکمه را فشار دهید درجه حرارت بخش چند گانه به صورت 18-، 20-، 22-، 24-18... تغییر خواهد کرد. اگر بخش ذخیره فلکسی به عنوان خنک کننده تنظیم شود، هر بار که این دکمه را فشار دهید درجه حرارت بخش چند گانه به صورت 0-، 2-، 4-، 6-، 8-، 10... تغییر خواهد کرد.

7. نشانگر عملکرد تعطیلات

این نشانگر فعال بودن عملکرد تعطیلات را نشان می دهد. اگر این عملکرد فعال باشد، " - " در بخش نشانگر یخچال نمایش داده می شود و هیچ نوع خنک کنندگی در بخش یخچال انجام داده نخواهد شد. سایر بخشها مطابق درجه حرارتی که برای آنان تنظیم شده است کار خواهند کرد.

دکمه مربوطه را مجدداً فشار دهید تا عملکرد انتخاب شده غیر فعال شود.

8. نشاندهنده عملکرد اکسترا اکو

این نشانگر فعال بودن عملکرد اکسترا اکو را نشان می دهد. اگر این عملکرد فعال باشد، یخچال شما به صورت اتوماتیک آخرین دوره استفاده را شناسایی خواهد کرد و خنک کنندگی با صرفه جویی در انرژی در این زمانها انجام داده خواهد شد. نشانگر اقتصادی هنگام اجرای خنک کنندگی با صرفه جویی در انرژی فعال خواهد شد.

دکمه مربوطه را مجدداً فشار دهید تا عملکرد انتخاب شده غیر فعال شود.

دکمه Eco Extra را برای مدت کوتاه جهت فعال کردن عملکرد فشار دهید. این دکمه را برای 3 ثانیه فشار دهید و نگه دارید تا عملکرد تعطیلات فعال شود. این دکمه را مجدداً فشار دهید تا عملکرد انتخاب شده غیر فعال شود.

2. دکمه فریز سریع

این دکمه را برای مدت کوتاه فشار دهید تا عملکرد انجماد سریع فعال شود. این دکمه را مجدداً فشار دهید تا عملکرد انتخاب شده غیر فعال شود.

3. دکمه تنظیم درجه حرارت محفظه فریزر

این دکمه را برای تنظیم درجه حرارت محفظه فریزر در درجه حرارتهای 18-، 20-، 22- و 24-، 18-... فشار دهید. این دکمه را فشار دهید تا درجه حرارت دلخواه بخش فریزر را انتخاب کنید.

4. دکمه تنظیم درجه حرارت محفظه یخچال

این دکمه را به ترتیب برای تنظیم درجه حرارت محفظه یخچال به ترتیب در درجه حرارتهای 8، 6، 4، 2، 8،... فشار دهید. این دکمه را فشار دهید تا درجه حرارت دلخواه بخش یخچال را انتخاب کنید.

5. دکمه خنک کردن سرد

این دکمه را برای مدت کوتاه فشار دهید تا عملکرد خنک کردن سریع فعال شود. این دکمه را مجدداً فشار دهید تا عملکرد انتخاب شده غیر فعال شود.

6. دکمه تنظیم درجه حرارت بخش فلکسی

می توانید محفظه فلکسی را به عنوان فریزر یا خنک کننده تنظیم کنید. این دکمه را برای 3 ثانیه فشار داده و نگه دارید تا محفظه ذخیره فلکسی را به عنوان فریزر یا خنک کننده تنظیم کنید. این بخش در کارخانه به عنوان بخش فریزر تنظیم شده است.

9. نشانگر عملکرد فریزر سریع

این نشانگر فعال بودن فریزر سریع را نشان می دهد. هنگامی که غذای تازه را در بخش فریزر قرار می دهید یا هنگامی که به یخ نیاز دارید از این عملکرد استفاده کنید. هنگامی که این عملکرد فعال باشد، یخچال شما برای 6 ساعت بدون وقفه کار خواهد کرد.

دکمه مربوطه را مجدداً فشار دهید تا عملکرد انتخاب شده غیر فعال شود.

15. نشاندهنده وضعیت خطا

اگر یخچال به اندازه کافی خنک نشود یا اگر حسگر خراب شود این نشانگر فعال خواهد شد. هنگامی که این نشانگر فعال باشد، نشانگر درجه حرارت بخش فریزر "E" را نمایش خواهد داد و نشانگر درجه حرارت بخش یخچال اعدادی مانند "1,2,3..." را نمایش خواهد داد. این اعداد در نشانگر اطلاعاتی در مورد خطایی که رخ داده است را به پرسنل سرویس ارائه خواهد نمود.

16. نشاندهنده قفل کلید

از این عملکرد هنگامی استفاده کنید که نمی خواهید تنظیم درجه حرارت یخچال تغییر داده شود. دکمه Quick Cool (خنک‌کنندگی سریع) و دکمه تنظیم درجه حرارت بخش ذخیره فلکسی را همزمان به مدت 3 ثانیه نگاه دارید تا این ویژگی فعال گردد.

دکمه های مربوطه را مجدداً فشار دهید تا عملکرد انتخاب شده غیر فعال شود.

17. دکمه لغو یخ

جهت توقف تولید یخ، دکمه لغو یخ را به مدت 3 ثانیه فشار دهید. هنگامی که لغو یخ انتخاب شده باشد، آبی به ظرف یخ ارسال نخواهد شد. علی رغم این موضوع، ممکن است قدری یخ در محل نگهداری یخ ایجاد گردد. جهت شروع مجدد تولید یخ، دکمه لغو یخ را به مدت 3 ثانیه فشار دهید.

18. یخ خاموش

جهت توقف از ساخته شده یخ، دکمه "Ice Off" باید فشار داده شود. هنگامی که حالت توقف یخ سازی انتخاب گردید، آبی وارد دستگاه یخ ساز نخواهد شد. با این وجود، یخ موجود را می توان از توزیع کننده دریافت کرد. برای شروع یخ سازی دکمه "Ice Off" باید دوباره فشار داده شود.

هشدار باز بودن درب

اگر در بخش یخچال یا در محفظه نگهداری چند گانه برای حداقل 1 دقیقه باز بماند، صدای بوق باز بودن در فعال خواهد شد. فقط کافی است که یکی از دکمه های روی نشانگر را فشار دهید یا در را ببندید تا صدای بوق قطع شود.

10. نشاندهنده دمای محفظه فریزر

این نشان می دهد که دما برای محفظه فریزر تنظیم می باشد.

11. نشاندهنده دمای محفظه یخچال

این نشان می دهد که دما برای محفظه یخچال تنظیم شده است.

12. نشانگر عملکرد خنک کردن سرد

این نشانگر فعال بودن خنک‌کنندگی سریع را نشان می دهد. هنگامی که غذای تازه را در بخش یخچال قرار می دهید یا هنگامی که نیاز دارید مواد غذایی را سریع خنک کنید از این عملکرد استفاده کنید. هنگامی که این عملکرد فعال باشد، یخچال شما برای 2 ساعت بدون وقفه کار خواهد کرد.

دکمه مربوطه را مجدداً فشار دهید تا عملکرد انتخاب شده غیر فعال شود.

13. دکمه تنظیم حرارت بخش فلکسی

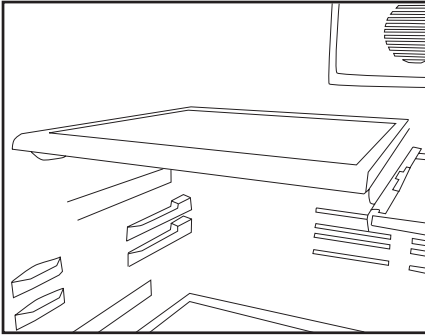
نشاندهنده این است که درجه حرارت تنظیم شده برای بخش ذخیره فلکسی انجام شده است.

14. نشاندهنده حالت اقتصادی

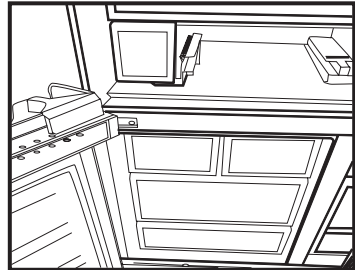
نشاندهنده این است که یخچال در حالت صرفه جویی انرژی در حال کار است. درجه حرارت محفظه فریزر

این نشانگر در صورتی فعال خواهد بود که این عملکرد روی 18- یا روی خنک‌کنندگی با صرفه جویی در انرژی به خاطر فعال بودن عملکرد اکو اکسترا تنظیم شده باشد.

طبقات کشویی بدنه با قلابهای پشت را می توان به جلو و عقب حرکت داد. ارتفاع آنان را می توان با برداشتن و نصب کردن در بالا و پایین تنظیم کرد. طبقه را کمی به بالا بلند کنید و آن را به طرف خود بکشید تا جدا شود.

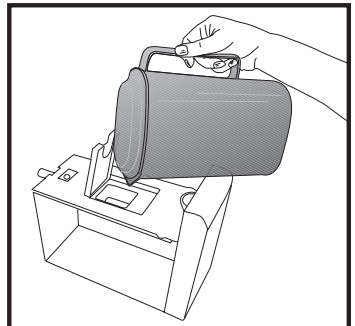
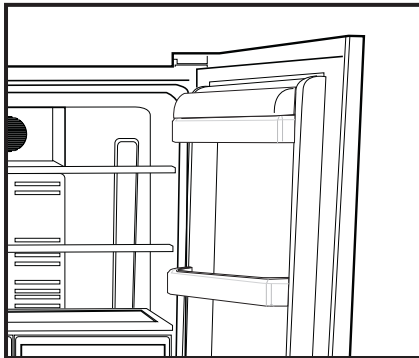
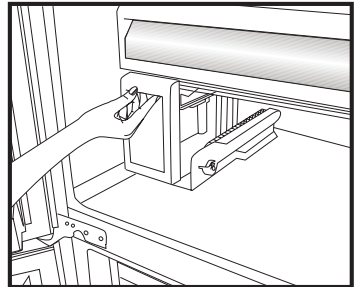


سیستم آیس متیک خودکار به راحتی برایتان یخ تولید می کند. مخزن آب را از محفظه یخچال باز کنید، آن را با آب پر کرده و مجدداً نصب کنید تا آیسمتیک یخ تولید کند. اولین یخ پس از 2 ساعت در کشوی زیر محفظه فریزر آماده خواهد شد. در صورتی که مخزن آب کاملاً پر باشد می توانید 70 قطعه یخ تولید نمایید. در صورتی که آب درون مخزن آب بیش از 2 تا 3 هفته در مخزن ماند، آب را تعویض کنید.

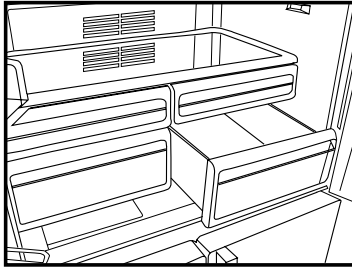


بخش کره و پنیر

مواد غذایی مانند کره، پنیر و مارگارین در این محل که دارای قاب است نگهداری می شوند.

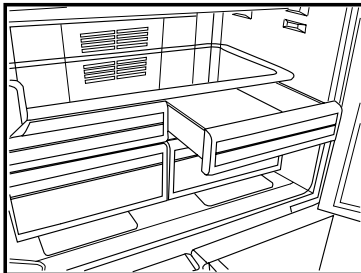


بخش سبزیجات یخچال شما بطور ویژه برای تازه نگاه داشتن سبزیجات شما بدون از دست دادن رطوبتشان طراحی شده است. برای این منظور، گردش هوای سرد در اطراف محفظه نگهداری سبزیجات انجام داده می شود.



محفظه سردکن

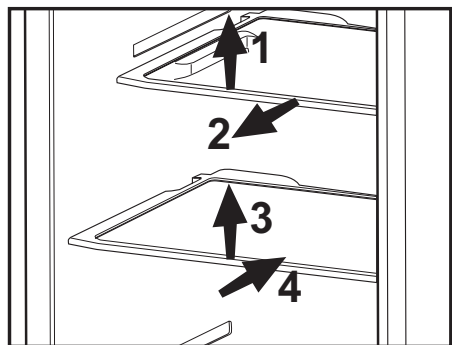
محفظه سردکن می تواند غذایی که باید منجمد شود را برای انجماد آماده سازد. همچنین می توانید این قسمتها را برای نگهداری مواد غذایی در درجه حرارتی کمتر از درجه حرارت یخچال، استفاده کنید. می توانید حجم داخل یخچال را با برداشتن بخش اسنک دلخواه افزایش دهید. برای انجام این کار، بخش مورد نظر را به طرف خود بکشید، محفظه روی متوقف کننده خم می شود و متوقف می گردد. این بخش هنگامی که آن را حدود 1 سانتی متر بلند کنید آزاد خواهد شد و سپس آن را به طرف خود بکشید.



- شما میتوانید نگهدارنده تخم مرغ را به درب مورد نظر یا بدنه طبقه نصب کنید.
- هرگز نگهدارنده تخم مرغ را در محفظه فریزر نگاه ندارید.

طبقات کشویی داخل یخچال

- طبقات کشویی داخل یخچال را می توان با اندکی بلند کردن از جلو و حرکت دادن به جلو و عقب بیرون کشید. این طبقات هنگامی که به جلو کشیده شوند به یک نقطه توقف می رسند و به شما اجازه می دهند تا به مواد غذایی قرار داده شده در پشت طبقه دسترسی داشته باشید؛ هنگامی که کمی بلند شود و به جلو کشیده شود و به نقطه توقف دوم برسد، طبقه آزاد می شود.
- طبقه را باید از ته محکم نگاه داشت تا از برگشتن آن جلوگیری بعمل آید. بدنه طبقه روی ریلهایی در کناره های بدنه یخچال قرار گرفته است و با پایین آوردن یا بالا بردن به سطوح بالاتر جابجا می شود. بدنه طبقه باید به طرف عقب فشار داده شود تا بطور کامل در جای خود قرار گیرد.



بخش چرخان وسط

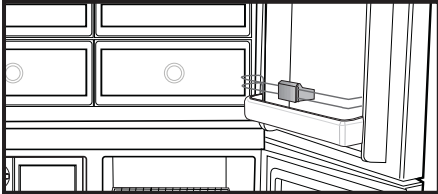
درجات حتی تكون مختلفة عن درجة حرارة صندوق التلاجة وعلى -6 درجة حتى تكون مختلفة عن درجة حرارة صندوق الفريزر. يتم استخدام درجة الحرارة 0 عند تخزين منتجات الأطعمة الشهية لمدة طويلة، وتستخدم درجة الحرارة 6 للحفاظ على اللحم لمدة أسبوعين

في حالة يسهل معها التقطيع.

جان ميزة التحويل إلى صندوق التلاجة أو صندوق الفريزر متوفرة بواسطة عنصر التبريد الموجود في القسم المغلق (صندوق الضاغط) خلف التلاجة. أثناء تشغيل هذا العنصر، قد تُسمع أصوات مشابهة بصوت الثواني الصادر من ساعة. وهذا أمر طبيعي وليس عيباً.

روشنایی آبی

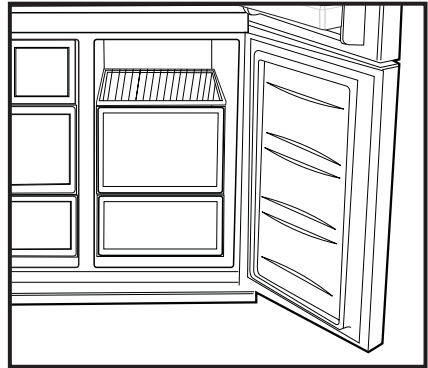
مواد غذایی نگهداری شده در محل نگهداری سزیجات با روشنایی نور آبی به عمل فتو سنتز با طول موج موثر نور آبی ادامه می یابد و بنابراین محتویات درونی این محل تازه و ویتامین های مربوطه افزایش می یابند.



بخش چرخان وسط برای جلوگیری از خروج هوای سرد داخل یخچال به خارج تعیبه شده است. بخش چرخان وسط به درزگیری کمک می کند چون هنگامی که در بخش یخچال بسته می شود واشرهای در روی بخش چرخان وسط فشار می آورند. دلیلی دیگری که از بخش چرخان وسط در یخچال استفاده شده است این است که این بخش حجم خالص بخش یخچال را افزایش می دهد. بخشهای وسط استاندارد برخی از حجم یخچال را اشغال می کنند.

صندوق تخزين متعدد الاستخدام

من الممكن استخدام صندوق التخزين متعدد الاستخدام الموجود في ثلاجتك بأي وضع ترغب فيه بضبطه على درجات الحرارة الأكثر برودة (2/4/6/8 مئوية) أو الأكثر تجمداً (-18/-20/-22/-24 مئوية). يمكنك الحفاظ على درجة حرارة الصندوق التي ترغبها باستخدام "زر ضبط درجة حرارة صندوق التخزين متعدد الاستخدام". من الممكن ضبط درجة حرارة صندوق التخزين متعدد الاستخدام على 0 و10



حفاظت سطوح پلاستیکی

- روغن های مایع یا غذاهای روغن دار پخته شده را در یخچال در ظروف غیر آب بندی شده نگذارید چرا که آنها به سطوح پلاستیکی یخچال صدمه میزنند. در صورت ترشح یا آلودگی روغن روی سطوح پلاستیکی ، آن قسمت را فوری با یک تکه پارچه آغشته به آب گرم پاک کنید.

⚠ هرگز از بنزین یا مواد مشابه آن برای تمیز کردن استفاده نکنید.

⚠ توصیه می کنیم که دوشاخه دستگاه را قبل از تمیز کردن از پریز بیرون بکشید.

- هرگز برای تمیز کردن یخچال از ابزار تیز یا مواد خشن، تمیزکننده خانگی و واکس پولیش استفاده نکنید.
- از آب گرم برای تمیز کردن کابینت دستگاه استفاده کرده و بعد خشک کنید.
- با استفاده از یک پارچه که آغشته به محلولی که با مقدار یک قاشق چایخوری در یک پاینت آب تهیه شده است برای پاک کردن داخل یخچال استفاده کنید و بعد آن را خشک کنید.
- مطمئن شوید که آب داخل محفظه لامپ و سایر اقلام الکتریکی نگرند.
- اگر از یخچال برای مدت طولانی استفاده نمیکنید ، دوشاخه آن را از برق بکشید و کلیه مواد غذایی را از آن خارج کرده و درب آن را نیمه باز رها کنید.
- آب بندی دور درب را مرتباً برای تمیز بودن و عاری بودن از بقایای غذا چک کنید.
- برای برداشتن سینی های درب، تمام محتویات را بردارید و سپس به آرامی سینی درب را از پایه به سمت بالا ببرید.

مشکلات

لطفا این لیست را قبل از فراخواندن سرویسکار بررسی کنید. ممکن است در زمان و هزینه صرفه جویی کند. این لیست شامل شکایات متداول است که ناشی از عملکرد یا استفاده ناقص از دستگاه می باشد. برخی از ویژگیهای شرح داده شده ممکن است در دستگاه شما وجود نداشته باشد.

یخچال کار نمی کند
<ul style="list-style-type: none"> • آیا دوشاخه برق یخچال بطور صحیح وصل شده است؟ دوشاخه را در پریز بزنید. • آیا فیوز پریزی که یخچال به آن وصل شده یا فیوز اصلی نسوخته است؟ فیوز را بازمی کنید.
تراکم در کناره های دیواره محفظه یخچال. (مالتی زون، کنترل سرمایش و فلکسی زون)
<ul style="list-style-type: none"> • شرایط بسیار سرد درجه حرارت محیط. باز و بسته کردن متناوب درب یخچال. شرایط بسیار مرطوب محیط. • نگهداری مواد غذایی محتوی مایع در ظروف درباز. نیمه باز گذاشتن درب. • ترموستات را به یک درجه سردتر تغییر دهید. • زمان باز ماندن درب را کاهش دهید یا کمتر از آن استفاده پی در پی کنید. • مواد غذایی را با روکش در ظروف درباز با جنس مناسب ببوشانید. • تراکم را با استفاده از یک پارچه خشک پاک کنید و چک نمایید که آیا ایستادگی میکنند.
کمپرسور کار نمی کند
<ul style="list-style-type: none"> • حفاظت حرارتی کمپرسور در خلال قطع شدن ناگهانی برق یا کشیدن و زدن دوشاخه به برق فروکش خواهد کرد • چراکه فشار یخچال در سیستم سرمایشی یخچال هنوز بالانس نشده است. • یخچال شما تقریباً 6 دقیقه بعد شروع بکار خواهد کرد. لطفاً اگر یخچال در انتهای این زمان کار نکرد سرویسکار را فراخوانید. • یخچال در جریان دیفر است است. این برای یک یخچال با دیفر است کردن اتوماتیک کامل نرمال است. جریان دیفر است بصورت دوره ای رخ میدهد. • دوشاخه برق یخچال در پریز نمی باشد. مطمئن شوید که دوشاخه برق محکم در پریز دیوار جا زده شده است. • آیا دمای تنظیمات بطور صحیح انجام گرفته است؟ برق وجود ندارد. برقکار خود را فرا خوانید.
یخچال متناوباً یا برای یک مدت طولانی کار میکند.

<ul style="list-style-type: none"> • یخچال جدید شما ممکن است عریض تر از یخچال قبلی باشد. این کاملاً نرمال است. یخچال های بزرگ برای یک مدت طولانی تر کار میکنند. • درجه حرارت محیط اتاق ممکن است بالا باشد. این مسئله کاملاً عادی است. • دوشاخه برق یخچال ممکن است اخیراً وصل شده یا یخچال بتازگی بارگیری شده باشد. پایین آوردن دمای کامل یخچال ممکن است بمدت چندین ساعت بیشتر طول بکشد. • ممکن است حجم زیادی از مواد غذایی داغ در یخچال گذاشته شده باشد. مواد غذایی داغ موجب کارکرد یخچال تا رسیدن به دمای ایمن یخچال می شود. • درب ها ممکن است متقابلاً باز شده باشند و یا برای مدت طولانی نیمه باز مانده باشند. هوای گرم که وارد یخچال شده است باعث میشود که یخچال برای مدت طولانی تری کار کند. تناوب باز کردن درب را کمتر کنید. • درب محفظه یخچال یا فریزر ممکن است نیمه باز باقیمانده باشد. بررسی کنید که درها درست بسته شده باشند. • یخچال در یک دمای بسیار پایین تنظیم شده است. دمای یخچال را در یک درجه گرمتر تنظیم کنید و منتظر بمانید تا به آن درجه برسد. • آب بندی درب یخچال یا فریزر ممکن است کثیف ، فرسوده و یا شکسته شده و یا در جایش نشسته باشد. لاستیک آب بندی را تمیز یا تعویض نمایید. لاستیک صدمه دیده یا شکسته موجب میشود تا یخچال برای مدت طولانی تری کار کند تا بتواند درجه دما را حفظ کند.
دمای فریزر بهنگامیکه دمای یخچال کافی است بسیار پایین است.
<ul style="list-style-type: none"> • دمای فریزر در یک دمای بسیار پایین تنظیم شده است. دمای فریزر را در یک درجه گرمتر تنظیم کنید و چک نمایید.
دمای یخچال بهنگامیکه دمای فریزر کافی است بسیار پایین است.
<ul style="list-style-type: none"> • دمای یخچال در یک دمای بسیار پایین تنظیم شده است. دمای یخچال را در یک درجه گرمتر تنظیم کنید و چک نمایید.
مواد غذایی نگه داشته شده در محفظه کشوهای یخچال فریز می شوند.
<ul style="list-style-type: none"> • دمای یخچال در یک دمای بسیار پایین تنظیم شده است. دمای یخچال را در یک درجه گرمتر تنظیم کنید و چک نمایید.
دما در یخچال یا فریزر بسیار بالا است.
<ul style="list-style-type: none"> • دمای یخچال در یک دمای بسیار بالا تنظیم شده است. تنظیم یخچال روی دمای فریزر اثر دارد. دمای یخچال یا فریزر را تا رسیدن به سطح کافی دمای یخچال یا فریزر تغییر دهید. • درب ممکن است نیمه باز باشد. درب را کامل ببندید. • ممکن است حجم زیادی از مواد غذایی داغ در یخچال گذاشته شده باشد. منتظر بمانید تا یخچال یا فریزر به دمای دلخواه برسند. • دوشاخه یخچال ممکن است اخیراً به برق وصل شده باشد. پایین آوردن کامل دمای یخچال بعلت اندازه یخچال زمان می برد.
صدای شبیه صدای تیک تاک ساعت آنالوگ از یخچال به گوش می رسد.
<ul style="list-style-type: none"> • این صدا توسط شیر سلونوئیدی یخچال ایجاد می شود. شیر سلونوئیدی برای اطمینان عبور ماده خنک کننده از بخشی که باید درجه حرارت سرمایش یا انجماد آن تنظیم شود به کار می افتد و عملکردهای خنک کننده را انجام می دهد. این مسئله عادی است و عیب دستگاه محسوب نمی شود.
مقدار نویز وقتیکه که یخچال کار میکند افزایش می یابد.
مشخصات عملکرد یخچال ممکن است منوط به دمای محیط تغییر کند. این نرمال است و نقص محسوب نمیگردد.
لرزش یا نویز.
<ul style="list-style-type: none"> • کف هموار نیست یا ضعیف است. یخچال وقتیکه به آهستگی حرکت میکند ، تکان می خورد. مطمئن شوید که کف هموار ، محکم و قادر به تحمل وزن یخچال باشد. • نویز ممکن است بخاطر موادی که در یخچال قرار داده شده است بوجود آید. این اقلام را باید از بالا یخچال برداشت.
صدای نویز مانند ریختن مایع یا اسپری است.
<ul style="list-style-type: none"> • جریان مایع و گاز بر اساس اصول کارکرد یخچال رخ می دهد. این نرمال است و نقص محسوب نمیگردد.
صدای نویز مانند صدای ورزش باد است.

فعال کننده هوا(فن) اجازه میدهد تا استفاده از آن سرمای موثر یخچال را بوجود آورد. این نرمال است و نقص محسوب نمیگردد.

تراکم در داخل دیواره های یخچال.

- هوای مرطوب و داغ یخ زدن و تراکم را افزایش میدهد. این نرمال است و نقص محسوب نمیگردد.
- درب ها نیمه باز می باشند. مطمئن شوید که در ها کاملا بسته شده باشند.
- درب ها ممکن است متناوبا باز مانده باشند یا برای یک مدت طولانی باز گذاشته شده باشند. تناوب باز کردن درب را کمتر کنید.

رطوبت در خارج یخچال یا بین درب ها رخ میدهد.

- هوا ممکن است رطوبت داشته باشد. این کاملاً در هوای مرطوب نرمال است. وقتی که رطوبت کم است ، تراکم محو میشود.

بوی بد در داخل یخچال

- داخل یخچال باید تمیز گردد. داخل یخچال را با یک اسفنج و آب گرم یا آب کربنات تمیز کنید.
- برخی از مواد ظروف یا بسته بندی ممکن است ایجاد بو نمایند. از ظروف مختلف با مارکهای مختلف بسته بندی استفاده کنید.

درب یا درب ها بسته نیستند

- بسته های مواد غذایی ممکن است از بسته شدن درب جلوگیری کنند. بسته هایی را که مانع بستن درب میشوند جابجا کنید.
- یخچال ممکن است در وضعیت کاملاً عمودی روی زمین نباشد و ممکن است بهنگام حرکت آرام تکان بخورد. پیچ های تنظیم را بالانس کنید.
- کف هموار و محکم نمی باشد. مطمئن شوید که کف هموار و قادر به تحمل وزن یخچال باشد.

محل نگهداری سبزیجات گیر کرده است.

- مواد غذایی ممکن است به سقف کشوها تماس داشته باشد. مواد غذایی را در کشو مجدداً منظم کنید.

Pirmiausia įdėmiai perskaitykite šį vadovą!

Gerbiamas pirkėjų,

Mes tikimės, kad mūsų gaminys, kuris buvo sukurtas moderniose gamyklose ir kruopščiai patikrintas pagal griežtus kokybės kontrolės reikalavimus, veiksmingai ir ilgai jums tarnaus.

Todėl mes rekomenduojame jums prieš naudojimą atidžiai perskaityti visą šio gaminio vartotojo vadovą ir išsaugoti jį, kad galėtumėte pasinaudoti juo ateityje.

Šis vadovas

- Padės jums greitai ir saugiai naudoti šį buitinį prietaisą.
- Prieš sumontuodami ir pradėdami naudoti šį gaminį, perskaitykite šį vadovą.
- Vadovaukitės nurodymais, ypač nurodymais dėl saugos.
- Laikykite šį vadovą lengvai pasiekiamoje vietoje, nes juo dar gali tekti pasinaudoti.
- Taip pat perskaitykite ir kitus su šiuo gaminiu pateiktus dokumentus.

Atkreipkite dėmesį, kad šis vadovas gali galioti ir kitiems modeliams.

Ženkli ir jų aprašymas

Šioje naudojimo instrukcijoje panaudoti tokie ženklai:

- ❗ Svarbi informacija arba naudingi patarimai dėl naudojimo.
- ⚠ Įspėjimas dėl sveikatai pavojingų arba žalos turtui galinčių padaryti sąlygų.
- ⚠ Įspėjimas dėl elektros įtampos.



Šis gaminys pažymėtas selektyvaus rūšiavimo simboliu, kuriuo žymimos elektros ir elektroninės įrangos atliekos (WEEE).

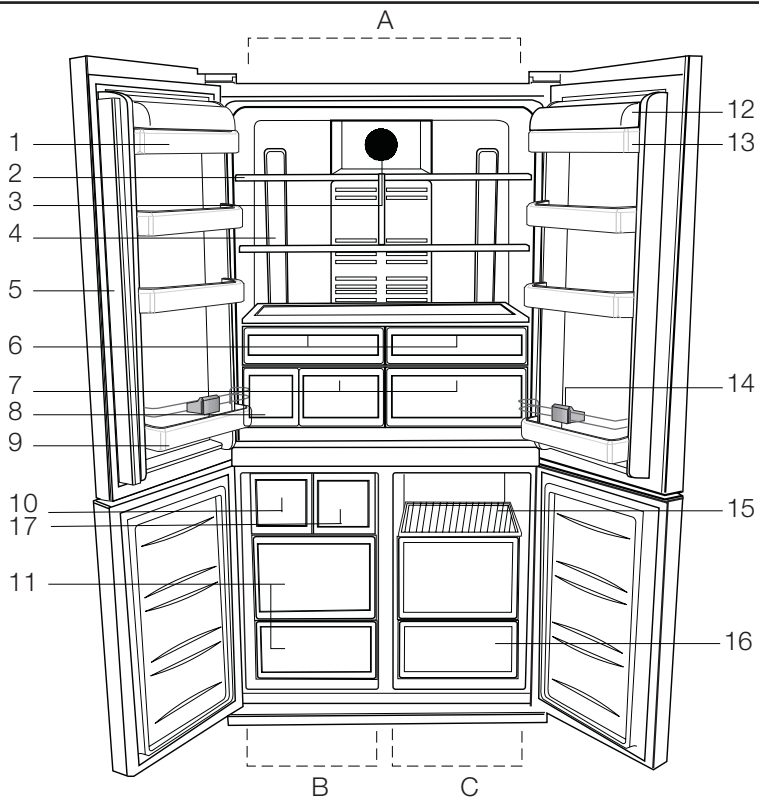
Tai reiškia, kad šį gaminį reikia išmesti vadovaujantis Europos direktyva 2002/96/EB, kad jis būtų perdirbtas arba išmontuotas ir tokiu būdu būtų sumažintas jo poveikis aplinkai. Daugiau informacijos gausite iš vietos arba regiono valdžios institucijų.

Elektronikos gaminiai, kuriems nėra taikomas selektyvaus rūšiavimo procesas, potencialiai kenksmingi gamtai ir žmogaus sveikatai, nes juose yra žalingų medžiagų.

TURINYS

1 Šaldytuvas	3	4 Šaldytuvo naudojimas	12
Valdymo skydelis	12	Sviesto ir sūrio skyrius	16
2 Svarbūs įspėjimai dėl saugos	4	Kiaušinių dėklas.....	17
Naudojimo paskirtis	4	Slankiojamos korpuso lentynos	17
Bendrieji saugos reikalavimai	4	Dėžė daržovėms	17
Gaminiams su vandens dalytuvu;.....	6	Aušinimo skyrius.....	17
Vaikų sauga	6	Universalus skyrius „Flexi Zone“ ..	18
HCA įspėjimas	6	Sukamoji vidurinė dalis	18
Jeigu gaminyje įrengta aušinimo sistema, kurioje naudojama R600a: 6		Mėlyno apšvietimo lemputė	18
Nepaisykite šio įspėjimo, jeigu gaminyje įrengta aušinimo sistema, kurioje naudojama R134a.	6	5 Techninė priežiūra ir valymas	19
Ką reikia daryti, norint sutaupyti energijos	7	Plastikinių paviršių apsauga	19
Patarimai dėp šviežio maisto skyriaus naudojimo	7	6 Rekomenduojami problemų sprendimo būdai	20
3 Įrengimas	8		
Paruošimas.....	8		
Į ką reikia atsižvelgti vežant šį šaldytuvą	8		
Prieš pradėdant naudoti šaldytuvą ...	8		
Elektros prijungimas	9		
Pakuotės išmetimas	9		
Seno šaldytuvo išmetimas.....	9		
Pastatymas ir instaliacija	10		
Lygumo reguliavimas.....	10		
Tarpelio tarp viršutinių durelių reguliavimas	10		

1 Šaldytuvas



A- Šaldytuvo skyrius

B- Šaldiklio skyrius

C- Universali zona

1- Šaldytuvo skyriaus durelių lentynos

2- Šaldytuvo skyriaus reguliuojamos
durelių lentynos

3- Difuzoriaus dangtis

4- Apšvietimo lemputės

5- Sukamoji vidurinė dalis

6- Aušintuvo skyrius

7- Dėžė daržovėms

8- Vandens bakelis

9- Lentyna buteliams

10- Ledukų gaminimo įtaisas

11- Užšaldytų produktų laikymo skyriai

12- Uždengiama lentyna sviestui ir sūriui

13- Lentyna sviestui ir sūriui

14- Butelių laikiklis

15- Laikymo skyriai

16- Universalios zonos skyrius

17- Šviežių produktų užšaldymo stalčius

☐ Šiame eksploatavimo vadove pateikti paveikslėliai yra orientacinio pobūdžio; gali būti, kad jie tiksliai nevaizduoja jūsų turimo gaminio. Jei jūsų turimame gaminyje nėra aprašomų dalių, tai reiškia, jog tai taikoma kitiems modeliams.

2 Svarbūs įspėjimai dėl saugos

Prašome atidžiai perskaityti toliau pateiktą informaciją. Nepaisant šios informacijos, galima susižaloti arba padaryti žalos turtui. Tuomet nebegalios jokia garantija ir gamintojo įsipareigojimai.

Jūsų įsigytas prietaisas numatytas naudoti 10 metų. Šiuo laikotarpiu gamintojas įsipareigoja tiekti visas šiam prietaisui reikalingas atsargines dalis, kad prietaisas veiktų taip, kaip aprašyta šioje instrukcijoje.

Naudojimo paskirtis

Šis gaminys skirtas naudoti

- patalpose ir uždaroje vietoje, pavyzdžiui, namuose;
 - uždaroje darbo aplinkoje, pavyzdžiui, parduotuvėse ir biuruose;
 - uždaroje apgyvendinimo vietoje, pavyzdžiui, ūkininkų gyvenamuosiuose namuose, viešbučiuose, pensionuose.
- Šio gaminio negalima naudoti lauke.

Bendrieji saugos reikalavimai

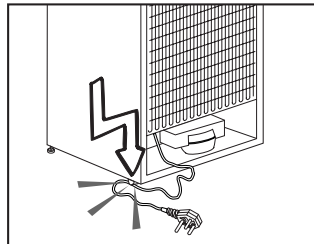
- Kai šį gaminį norėsite išmesti arba atiduoti į metalo laužą, rekomenduojama pasikonsultuoti su įgaliotomis tarnybomis ir institucijomis, kad sužinotumėte reikiamą informaciją.
- Jei kyla klausimų apie šaldytuvą arba atsiranda problemų, pasikonsultuokite su įgaliotais aptarnavimo specialistais. Šaldytuvo neardykite ir niekam neleiskite to daryti; tai galima daryti tik apie tai pranešus įgaliotiems aptarnavimo specialistams.
- Gaminiams su šaldiklio kamera; Ledų ir ledo kubelių nevalgykite vos juos

išėmę į šaldiklio kameros! (Galite nušalti burną.)

- Gaminiams su šaldiklio kamera; Į šaldiklio kamerą nedėkite butelių ir skardinių su gėrimais. Jie gali sprogti.
- Užšaldytų maisto produktų nelieskite rankomis – jie gali prilipti prie rankų.
- Prieš valydami arba atšildydami šaldytuvą, atjunkite jį nuo elektros tinklo.
- Šaldytuvui valyti ir šerkšniui šalinti negalima naudoti garų ir garinių valomųjų medžiagų. Garai gali pasiekti elektrines dalis ir sukelti trumpą jungimą arba elektros smūgį.
- Šaldytuvo dalių, pavyzdžiui, nuo spyrio apsaugančios plokštės arba durelių, nenaudokite kaip atramos ar laiptelio.
- Šaldytuvo viduje nenaudokite elektros prietaisų.
- Žiūrėkite, kad gręžimo ar pjovimo įrankiais nepažeistumėte dalių, kuriose cirkuliuoja aušinamasis skystis. Iš pradurtų garintuvo dujų kanalų, vamzdžių ilgintuvų arba paviršiaus dangų ištryškęs aušinamasis skystis gali suezinti odą ir pažeisti akis.
- Jokiomis medžiagomis neuždenkite ir neužkimškite šaldytuvo ventiliacinių angų.
- Elektrinius prietaisus privalo taisyti tik įgaliotieji asmenys. Jei remontą vykdys nekompetentingi asmenys, naudotojui gali kilti pavojus.
- Įvykus trikdžiai, taip pat techninės priežiūros arba remonto metu šaldytuvui atjunkite elektros maitinimą – arba išsukite atitinkamą saugiklį,

- arba ištraukite prietaiso laido kištuką.
- Netraukite laikydami už laido – traukite laikydami už kištuko.
- Stiprius alkoholinius gėrimus stipriai užkimškite ir laikykite vertikaliaje padėtyje.
- Šaldytuve niekada nelaikykite flakonų su degiomis ir sprogiomis medžiagomis.
- Norėdami paspartinti atitirpinimo procesą, nenaudokite jokių mechaninių prietaisų ar kitų priemonių, išskyrus gamintojo rekomenduojamas.
- Šis buitinis prietaisas nėra skirtas naudoti asmenims (įskaitant vaikus) su fiziniais, jutimo ar protiniais sutrikimais arba asmenims, kurie turi nepakankamai patirties ir žinių naudoti šį prietaisą, nebent juos tinkamai prižiūrėtų (arba nurodytų, kaip naudoti šį buitinį prietaisą) už jų saugą atsakingas asmuo.
- Nenaudokite sugedusio šaldytuvo. Jeigu dėl ko nors nerimaujate, pasikonsultuokite su techninio aptarnavimo specialistais.
- Šaldytuvo elektros sauga garantuojama tik tuo atveju, jei jūsų name įrengta žemimo sistema atitinka standartus.
- Gaminį statyti vietoje, neapsaugotoje nuo lietaus, sniego, saulės ir vėjo, pavojinga elektros saugos požiūriu.
- Jeigu maitinimo kabelis būtų pažeistas, susisiekite su įgaliotuoju techninio aptarnavimo centru, kad išvengtumėte pavojaus.
- Įrengimo metu draudžiama šaldytuvo maitinimo laido kištuką įkišti į sieninį lizdą – galite žūti arba patirti rimtą traumą.

- Šis šaldytuvą skirtas tik maisto produktams laikyti. Prietaiso negalima naudoti kitai paskirčiai.
- Etiketė, kurioje nurodomi techniniai gaminio duomenys, pritvirtinta vidinėje kairėje šaldytuvo pusėje.
- Niekada neįjunkite šio šaldytuvo į elektros energijos taupymo sistemas; jos gali sugadinti šaldytuvą.
- Jeigu šaldytuve įrengta mėlyna kontrolinė lemputė, nežiūrėkite į mėlyną šviesą pro optinius prietaisus.
- Jeigu naudojate rankiniu būdu valdomą šaldytuvą, nutrūkus elektros tiekimui, prieš vėl jį įjungdami, palaukite bent 5 minutes.
- Atidavus šį gaminį kitiems, naujam gaminio savininkui reikia atiduoti ir šią naudojimo instrukciją.
- Gabendami šaldytuvą, stenkitės nepažeisti maitinimo kabelio. Sulenktas kabelis gali sukelti gaisrą. Ant maitinimo kabelio niekada nestatykite sunkių daiktų. Jungdami gaminį į maitinimo tinklą, nelieskite kištuko drėgnomis rankomis.



- Neįjunkite šaldytuvo, jeigu sieninis lizdas yra atsilaisvinęs.
- Saugumo sumetimais nepukškite vandens tiesiai ant vidinių arba išorinių šio gaminio dalių.
- Nepurškite šalia šaldytuvo degių medžiagų, pavyzdžiui, propano dujų ir pan., nes kyla gaisro ir sprogo pavojus.

- Nestatykite ant šaldytuvo indų su vandeniu, nes gali kilti elektros smūgis arba gaisras.
- Neprikraukite į šaldytuvą per daug maisto produktų. Pridėjus per daug maisto produktų, atidarant arba uždarant šaldytuvo duris, jie gali iškristi ir sužeisti. Niekada nestatykite ant šaldytuvo daiktų, nes atidarius arba uždarius šaldytuvo dureles, jie gali nukristi.
- Šaldytuve negalima laikyti medžiagų, kurioms saugoti reikia tikslios temperatūros, pavyzdžiui, vakcinų, temperatūrai jautrių vaistų, mokslinių tyrimų medžiagų ir pan.
- Jeigu šaldytuvo ilgai nenaudojate, būtina atjunkite jį nuo maitinimo tinklo. Dėl galimo maitinimo kabelio pažeidimo gali kilti gaisras.
- Elektros kištuką reikia reguliariai nuvalyti, kitaip jis gali sukelti gaisrą.
- Elektros kištuką reikia reguliariai valyti sausu skudurėliu, kitaip gali kilti gaisras.
- Jeigu reguliuojamos kojelės netvirtai remsis į grindis, šaldytuvą gali judėti. Pareguliuokite reguliuojamas kojeles, kad jos tinkamai remtųsi į grindis ir šaldytuvą nejudėtų.
- Nešdami šaldytuvą, nelaikykite jo už durų rankenos. Kitaip jį gali nulūžti.
- Jeigu šį gaminį reikia statyti prie kito šaldytuvo arba šaldiklio, tarp prietaisų būtina palikti bent 8 cm tarpą. Kitaip gretimos šoninės sienelės gali pradėti rasoti.

Gaminiam su vandens dalytuvu;

- Slėgis vandentiekio vamzdyje turi būti ne mažesnis nei 1 baras. Slėgis vandentiekio vamzdyje turi būti ne didesnis nei 8 barai.
- Naudokite tik geriamąjį vandenį.

Vaikų sauga

- Jeigu durelės rakinamos spyna, laikykite raktą vaikams nepasiekiamoje vietoje.
- Privaloma prižiūrėti mažus vaikus, kad jie nežaistų su šiuo buitiniu prietaisu.

HCA įspėjimas

Jeigu gaminyje įrengta aušinimo sistema, kurioje naudojama R600a:

Šios dujos lengvai užsiliepsnoja. Todėl būkite atsargūs, kad eksploataavimo ir transportavimo metu nepažeistumėte aušinimo sistemos ir vamzdžių.

Pažeidimo atveju, saugokite gaminį nuo galimų liepsnos šaltinių, nuo kurių gaminys galėtų užsidegti, ir vėdinkite patalpą, kurioje stovi šis prietaisas.

Nepaisykite šio įspėjimo, jeigu gaminyje įrengta aušinimo sistema, kurioje naudojama R134a.

Gaminyje naudojamų dujų rūšis nurodyta techninių gaminio duomenų etiketėje, kuri yra pritvirtinta vidinėje kairėje šaldytuvo pusėje.

Niekuomet nedeginkite šio buitinio prietaiso.

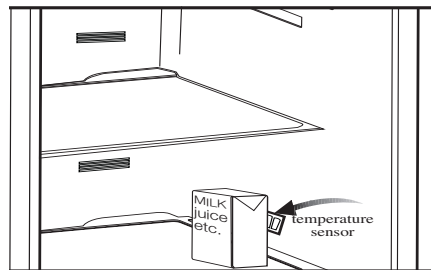
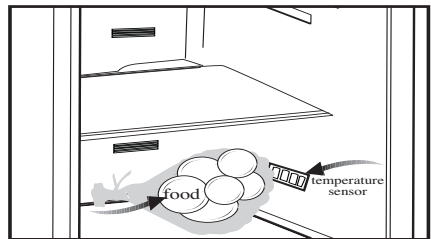
Ką reikia daryti, norint sutaupyti energijos

- Nelaikykite šaldytuvo durelių atidarytų ilgą laiką.
- Į šaldytuvą nedėkite karšto maisto arba gėrimų.
- Į šaldytuvą nedėkite pernelyg daug maisto produktų, kad nebūtų kliudoma viduje cirkuliuoti orui.
- Šaldytuvo nestatykite vietoje, kur šviečia tiesioginiai saulės spinduliai arba arti šilumą skleidžiančių prietaisų, pavyzdžiui, orkaičių, indaplovių arba radiatorių.
- Maisto produktus laikykite uždaruose induose.
- Gaminiuose su šaldymo kamera; išėmę šaldiklio lentyną arba stalčių, šaldiklio kameroje galite laikyti maksimalų produktų kiekį. Paskelbtosios šaldytuvo energijos sąnaudos nustatytos išėmus šaldiklio kameros lentyną arba ištraukus stalčių ir sudėjus maksimalų leistiną produktų kiekį. Ant lentynos arba stalčiuje galima saugiai laikyti užšaldyti skirtus produktus, atsižvelgiant į jų formą ir dydį.
- Atšildant šaldytus maisto produktus šaldytuvo skyriuje, bus ir taupoma energija, ir išsaugoma maisto kokybė.

Patarimai dėl šviežio maisto skyriaus naudojimo

* PAPILDU PIEDERUMS

- Sudėti maisto produktai neturi liesti šviežio maisto skyriuje esančio temperatūros jutiklio. Norint, kad šviežio maisto skyriuje išliktų ideali maisto produktų saugojimo temperatūra, maisto produktai neturi užstoti šio jutiklio.
- Į prietaisą nedėkite karštų maisto produktų.



3 Įrengimas

⚠ Prašom atkreipti dėmesį, kad gamintojas neprisiima atsakomybės, jei nebus vadovaujama šioje naudojimo instrukcijoje pateikta informacija.

Paruošimas

- Šaldytuvą reikia įrengti mažiausiai 30 cm atstumu nuo šilumos šaltinių, pavyzdžiui, viryklės viršaus, orkaitių, centrinio šildymo radiatorių bei viryklių, ir mažiausiai 5 cm atstumu nuo elektrinių orkaitių; nestatykite jo tiesioginiuose saulės spinduliuose.
- Patalpos, kur įrengiamas šaldytuvas, aplinkos temperatūra turi būti ne žemesnė negu 10°C. Šaldytuvo nerekomenduojama eksploatuoti esant žemesnei temperatūrai, nes jo veikimo efektyvumas taps prastesnis.
- Rūpinkitės šaldytuvo vidaus švara.
- Jei du šaldytuvai įrengiami vienas šalia kito, tarp jų turi būti mažiausiai 2 cm atstumas.
- Šaldytuvą pradėję eksploatuoti pirmą kartą, pirmąsias šešias valandas prašom paisyti tokių instrukcijų:
 - Nedarinėkite dažnai durelių.
 - Šiuo periodu šaldytuve turi nebūti maisto produktų.
 - Neišjunkite šaldytuvo iš maitinimo tinklo. Jei nutrūktų elektros tiekimas, žr. skyriuje „Kokių veiksmų imtis prieš iškviečiant įgaliotus aptarnavimo specialistus“ pateiktus įspėjimus.
- Originalias pakuotės medžiagas ir puspalstį derėtų saugoti ateičiai, jei šaldytuvą prireiktų transportuoti arba perkelti.

Į ką reikia atsižvelgti vežant šį šaldytuvą

1. Prieš šaldytuvą transportuojant, jį reikia ištuštinti ir išvalyti.
2. Prieš šaldytuvą supakuojant, jame esančias lentynas, papildomas dalis, daržovių dėtuves ir kt. būtina sutvirtinti lipnia juosta, kad šios dalys nesikratytų.
3. Pakuotės medžiagas būtina sutvirtinti storomis juostomis ir tvirtomis virvėmis; būtina paisyti ant pakuotės pateiktų transportavimo instrukcijų.

Atminkite...

Visų medžiagų perdirbimas turi didelės įtakos tausojant gamtos ir mūsų šalies išteklius.

Jei pakavimo medžiagas norite atiduoti perdirbti, kreipkitės į aplinkosaugos institucijas arba vietos valdžios įstaigas, kur jums bus suteikta daugiau informacijos.

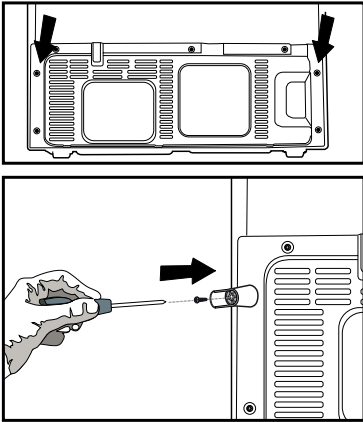
Prieš pradėdami naudoti šaldytuvą

Prieš pradėdami naudoti buitinį prietaisą, patikrinkite, ar:

Buitinio prietaiso klimato tipo kategoriją rasite šio buitinio prietaiso viduje esančioje kategorijos plokštelėje. Ji nurodo atitinkamą, toliau nurodytą veikimo aplinkos temperatūrą.

Klimato tipas Aplinkos temperatūra
SN.....Nuo +10 °C iki 32 °C
N (neutralus)Nuo +16 °C iki 32 °C
STNuo +18 °C iki 38 °C
T.....Nuo +18 °C iki 43 °C
SN-STNuo +10 °C iki 38 °C
SN-TNuo +10 °C iki 43 °C

1. Šaldytuvo vidus yra sausas, o galinėje dalyje oras laisvai cirkuliuoja?
2. Tarp galinių ventilacijos grotelių įkiškite 2 plastmasinius pleištus, kaip parodyta toliau esančiame paveikslėlyje. Išskukite esamus varžtus ir įsukite tame pačiame maišelyje su pleištais esančius varžtus. Platsmasiniai pleištai užtikrins, kad šaldytuvas būtų pastatytas tinkamu atstumu nuo sienos, ir už jo galėtų laisvai cirkuliuoti oras.



3. Vidų valykite vadovaudamiesi nurodymais, pateiktais skyriuje „Techninė priežiūra ir valymas“.
4. Įkiškite šaldytuvo elektros kištuką į sieninį lizdą. Atidarius dureles, užsidega atitinkama vidaus apšvietimo lemputė.
5. Pradėjus veikti kompresoriui, išgirsite nestiprius garsus. Ar kompresorius veikia, ar ne, šaldytuvo sistemoje hermetiškai uždarytas skystis ir dujos taip pat gali kelti silpnus garsus – tai visiškai normalu.
6. Priekiniai šaldytuvo kraštai gali įšilti. Tai normalu. Šios vietos turi būti šiltos tam, kad nesusidarytų kondensacija.

Elektros prijungimas

Prijunkite šaldytuvą prie įžeminto lizdo su tinkamos kategorijos saugikliu.

Svarbu

- Elektros prijungimą būtina atlikti atsižvelgiant į savo šalies reglamentus.
 - Atlikus elektros instaliaciją, maitinimo laido kištukas turi būti lengvai pasiekiamas.
 - Duomenys apie įtampą ir leistiną saugiklio kategoriją yra nurodyti skyriuje „Techniniai duomenys“.
 - Nurodytas įtampos stiprumas turi būti toks pat, kaip ir maitinimo tinklo įtampos stiprumas.
 - Prijungimui negalima naudoti ilginimo laidų ir daugiaskylių kištukų.
- ⚠ Pažeistą maitinimo laidą privalo pakeisti kvalifikuotas elektrikas.
- ⚠ Negalima naudoti buitinio prietaiso, kol nebus pataisytas jo laidas! Kyla elektros smūgio pavojus!

Pakuotės išmetimas

Pakavimo medžiagos gali kelti pavojų vaikams. Laikykite pakavimo medžiagas vaikams nepasiekiamoje vietoje arba išmeskite jas, išrūšiuodami pagal atliekų rūšiavimo nurodymus. Neišmeskite pakavimo medžiagų kartu su kitomis buitinėmis atliekomis. Šaldytuvo pakavimo medžiagos yra pagamintos iš pakartotinai panaudojamų medžiagų.

Seno šaldytuvo išmetimas

Seną prietaisą išmeskite taip, kad nebūtų daroma žala aplinkai.

- Kaip išmesti šį šaldytuvą, galite sužinoti iš savo įgaliojotojo pardavimo atstovo arba savo savivaldybės atliekų surinkimo punkte.

Prieš išmesdami šaldytuvą, nupjaukite elektros kištuką ir, jei durys turi kokių nors užraktų, sugadinkite juos, kad nekiltų pavojų vaikams.

Pastatymas ir instaliacija

Įspėjimas: įrengimo metu draudžiama šaldytuvo maitinimo laido kištuką įkišti į sieninį lizdą – galite žūti arba patirti rimtą traumą.

Jei patalpos, kurioje bus įrengiamas šaldytuvas, įėjimas nėra pakankamai platus, kad pro jį būtų galima įnešti šaldytuvą, iškvieskite įgaliotus aptarnavimo darbuotojus, kad jie nuimtų šaldytuvo dureles ir jį pro įėjimą įneštų šonu.

1. Šaldytuvą įrenkite tokioje vietoje, kur jį būtų lengva eksploatuoti.
2. Šaldytuvą statykite atokiai nuo šilumos šaltinių, drėgnų vietų ir tiesioginių saulės spindulių.
3. Tam, kad šaldytuvas efektyviai veiktų, aplink jį turi būti tinkama oro ventilacija.

Jei šaldytuvą reikia statyti sienos nišoje, nuo šaldytuvo iki lubų ir iki sienų turi būti mažiausiai 5 cm tarpas.

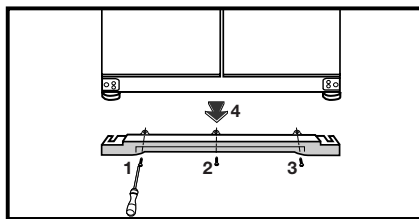
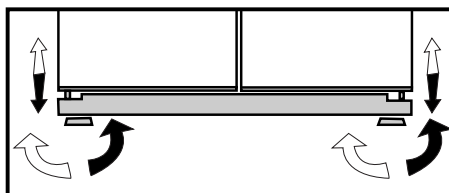
Jei ant grindų patiestas kilimas, šį gaminį virš grindų būtina pakelti 2,5 cm.

4. Tam, kad nekiltų vibracija, šaldytuvą statykite ant lygaus grindų paviršiaus.
5. Šaldytuvo nestatykite patalpoje, kurioje aplinkos temperatūra žemesnė negu 10 °C.

Lygumo reguliavimas

Jei šaldytuvas stovi nelygiai;

1- Prieš atliekant šią procedūrą, ventilacijos dangtis nuimamas atsukant jo varžtus, kaip parodyta paveikslėlyje. Jį galite išlyginti sukdami priekines kojeles, kaip pavaizduota toliau esančiame paveikslėlyje. Kampas, kurioje yra kojelė, nuleidžiamas kojelę sukant juodos rodyklės kryptimi ir pakeliamas kojelę sukant priešinga kryptimi. Šį darbą atlikti bus lengviau, jei ką nors pasikviesite į pagalbą, kad šiek tiek kilstelėtų šaldytuvą.

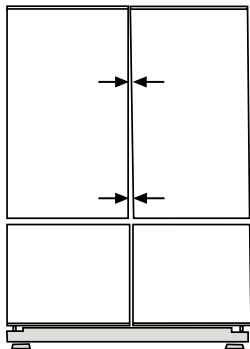


2. Atitaisę pusiausvyrą, vėl sumontuokite ventilacijos dangtį ir užveržkite varžtus.
3. Atsuktuvu atsukite varžtus, laikančius apatinį ventilacijos dangtį.

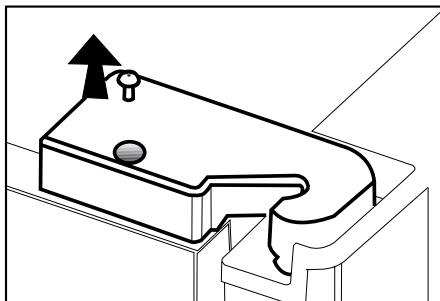
Tarpelio tarp viršutinių durelių reguliavimas

- Galite pereguliuoti tarpelį tarp šaldytuvo skyriaus durelių, kaip parodyta paveikslėliuose.

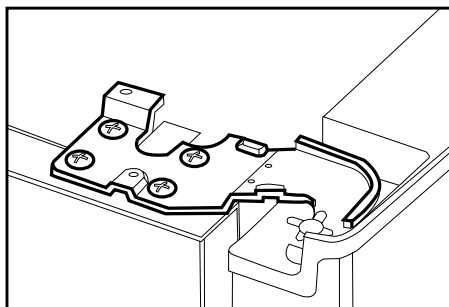
Prieš reguliuojant durelių aukštį, reikia iškraustyti durelių lentynas.



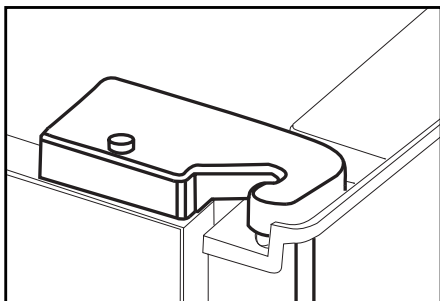
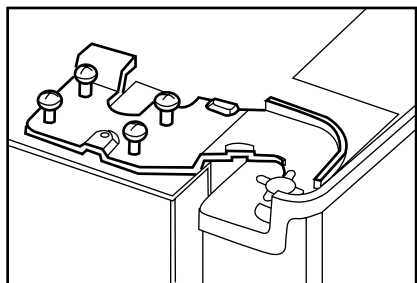
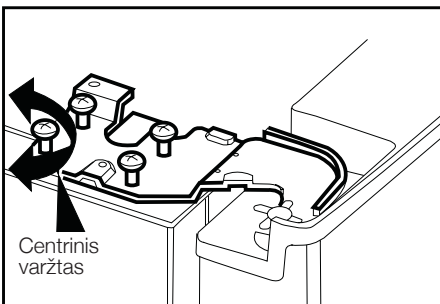
- Atsuktuvu išsukite durelių, kurias norite reguliuoti, viršutinio vyro dangtelio varžtą.



- Pareguliuokite dureles, atsukdami varžtus.
- Pritvirtinkite pareguliuotas dureles, nekeisdami durelių padėties, priverždami varžtus.



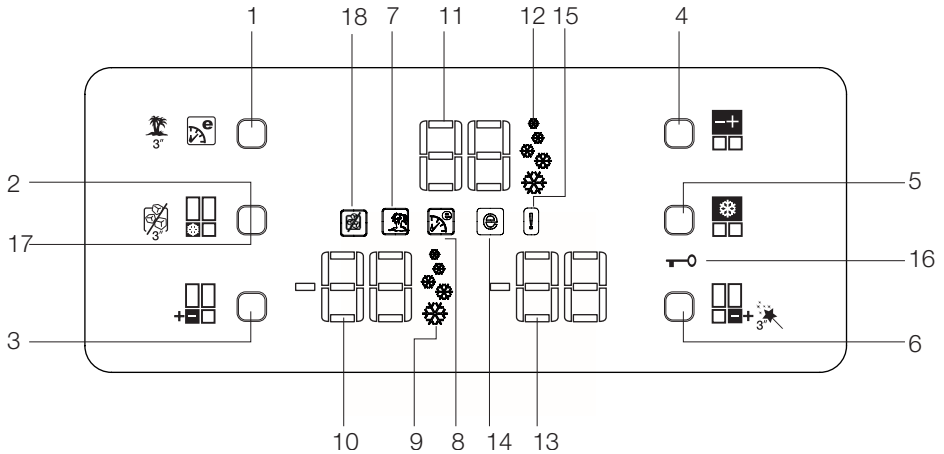
- Uždėkite vyro dangtelį ir priveržkite jį varžtu.



4 Šaldytuvo naudojimas

Valdymo skydelis

Naudodami šį jutiklinį valdymo skydelį, galite nustatyti temperatūrą neatidarydami šaldytuvo durelių. Tiesiog palieskite atitinkamą mygtuką, kad nustatytumėte temperatūrą.



1. Mygtukas „Eco Extra/Vacation“
2. Greito užšaldymo / ledukų gaminimo funkcijos išjungimo mygtukas
3. Šaldiklio skyriaus temperatūros nustatymo mygtukas
4. Šaldytuvo skyriaus temperatūros nustatymo mygtukas
5. Greito vėsavimo mygtukas
6. Universalios zonos skyriaus temperatūros nustatymo mygtukas
7. Atostogų funkcijos indikatorius
8. Funkcijos „Eco Extra“ indikatorius
9. Greito šaldymo šaldiklyje funkcijos indikatorius
10. Šaldiklio skyriaus temperatūros indikatorius
11. Šaldytuvo skyriaus temperatūros indikatorius
12. Greito vėsavimo funkcijos indikatorius
13. Universalios zonos skyriaus temperatūros indikatorius
14. Taupymo režimo indikatorius
15. Klaidos būsenos indikatorius
16. Mygtukų užrakto indikatorius
17. Leducų gaminimo funkcijos išjungimo mygtukas
18. Leducų gaminimo funkcijos indikatorius

☐ Šiame eksploataavimo vadove pateikti paveikslėliai yra orientacinio pobūdžio; gali būti, kad jie tiksliai nevaizduoja jūsų turimo gaminio. Jei jūsų turime gaminyje nėra aprašomų dalių, tai reiškia, jog tai taikoma kitiems modeliams.

1. Mygtukas „Eco Extra/Vacation“

Spustelėkite šį mygtuką, norėdami įjungti funkciją „Eco Extra“. Norėdami įjungti atostogų funkciją, paspauskite ir 3 sekundes palaikykite nuspaudę šį mygtuką. Spauskite šį mygtuką dar kartą, jei norite išjungti pasirinktą funkciją.

2. Greito užšaldymo mygtukas

Spustelėkite šį mygtuką, norėdami įjungti greito užšaldymo šaldiklyje funkciją. Spauskite šį mygtuką dar kartą, jei norite išjungti pasirinktą funkciją.

3. Šaldiklio skyriaus temperatūros nustatymo mygtukas

Spauskite šį mygtuką, kad šaldiklyje atitinkamai nustatytumėte -18, -20, -22, -24, -18... laipsnių temperatūrą. Paspauskite šį mygtuką, kol nustatysite pageidaujamą šaldiklio skyriaus temperatūrą.

4. Šaldytuvo skyriaus temperatūros nustatymo mygtukas

Spauskite šį mygtuką, kad šaldytuve atitinkamai nustatytumėte 8, 6, 4, 2, 8... laipsnių temperatūrą. Paspauskite šį mygtuką, kol nustatysite pageidaujamą šaldytuvo skyriaus temperatūrą.

5. Greito vėsinimo mygtukas

Spustelėkite šį mygtuką, norėdami įjungti greito vėsinimo funkciją „Quick Cool“. Spauskite šį mygtuką dar kartą, jei norite išjungti pasirinktą funkciją.

6. Universalios zonos skyriaus temperatūros nustatymo mygtukas

Universalų skyrių galite nustatyti veikti šaldiklio arba šadytuvo režimu. Norėdami nustatyti universalų skyrių veikti šaldiklio arba šaldytuvo režimu, paspauskite ir 3 sekundes palaikykite nuspaudę šį mygtuką. Gamykloje šis skyrius nustatytas veikti kaip šaldiklio skyrius.

Jeigu universalios zonos skyrius nustatytas veikti šaldiklio režimu, tuomet kiekvieną kartą paspaudus šį mygtuką, universaliame skyriuje bus atitinkamai nustatoma -18, -20, -22, -24, -18... laipsnių temperatūra. Jeigu universalios zonos skyrius nustatytas veikti šaldytuvo režimu, tuomet kiekvieną kartą paspaudus šį mygtuką, universaliame skyriuje bus atitinkamai nustatoma -6, 0, 2, 4, 6, 8, 10... laipsnių temperatūra.

7. Atostogų funkcijos indikatorius

Rodo, kad veikia atostogų funkcija. Jeigu ši funkcija veikia, šaldytuvo skyriaus indikatoriuje rodoma „-“ ir šaldytuvo skyrius nešaldomas. Kiti skyriai šaldomi pagal jiems nustatytą temperatūrą.

Norėdami šią funkciją išjungti, dar kartą paspauskite atitinkamą mygtuką.

8. Funkcijos „Eco Extra“ indikatorius

Rodo, kad veikia funkcija „Eco Extra“. Jeigu ši funkcija veikia, šaldytuvą automatiškai anustatys mažiausio naudojimo laikotarpis ir jų metu prietaisas veiks energijos taupymo

režimu. Prietaisui veikiant energijos taupymo režimu, bus rodomas taupymo režimo indikatorius.

Norėdami šią funkciją išjungti, dar kartą paspauskite atitinkamą mygtuką.

9. Greito šaldymo šaldiklyje funkcijos indikatorius

Rodo, kad veikia greito užšaldymo šaldiklyje funkcija. Naudokite šią funkciją, kai į šaldiklį įdedate šviežių produktų arba kai norite, kad būtų gaminamas ledas. Kai ši funkcija įjungta, šaldytuvas be perstojo veikia 6 valandas.

Norėdami šią funkciją išjungti, dar kartą paspauskite atitinkamą mygtuką.

10. Šaldiklio skyriaus temperatūros indikatorius

Rodo temperatūros nustatymą šaldiklio skyriuje.

11. Šaldytuvo skyriaus temperatūros indikatorius

Rodo temperatūros nustatymą šaldytuvo skyriuje.

12. Greito vėsavimo funkcijos indikatorius

Rodo, kad veikia greito vėsavimo funkcija. Naudokite šią funkciją, kai į šaldytuvą įdedate šviežių produktų arba kai norite, kad produktai būtų greitai atvėsinti. Kai ši funkcija įjungta, šaldytuvas be perstojo veikia 2 valandas.

Norėdami šią funkciją išjungti, dar kartą paspauskite atitinkamą mygtuką.

13. Universalios zonos skyriaus temperatūros indikatorius

Rodo temperatūros nustatymą universalios zonos skyriuje.

14. Taupymo režimo indikatorius

Rodo, kad šaldytuvas veikia energijos taupymo režimu. Šaldiklio skyriaus temperatūra

Šis indikatorius bus rodomas tuomet, jei ši funkcija bus nustatyta ties -18 laipsnių temperatūra arba veikiant funkcijai „Eco Extra“, prietaisas veiks energijos taupymo režimu.

15. Klaidos būsenos indikatorius

Šis indikatorius rodomas tuo atveju, jeigu šaldytuvas šaldo netinkamai arba jeigu sugenda jutiklis. Kai rodomas šis indikatorius, šaldiklio temperatūros indikatorius rodo „E“, o šaldytuvo skyriaus temperatūros indikatorius rodo skaičius, pavyzdžiui „1,2,3...“. Šie indikatorius skaičiai reiškia klaidos kodus, kurie suteikia informacijos techninio aptarnavimo darbuotojams.

16. Mygtukų užrakinimo indikatorius

Naudokite šią funkciją, jeigu nenorite, kad kas nors pakeistų šaldytuvo temperatūros nuostatas. Norėdami įjungti šią funkciją, vienu metu paspauskite ir 3 sekundes palaikykite nuspaudę greito vėsavimo mygtuką ir universalios zonos skyriaus temperatūros nustatymo mygtuką.

Norėdami šią funkciją išjungti, dar kartą paspauskite atitinkamus mygtukus.

17. Ledukų gaminimo įtaiso išjungimo mygtukas

Ledo susidarymą išjungsitė 3 sekundes palaikę nuspaudę ledukų gaminimo įtaiso išjungimo mygtuką. Pasirinkus ledukų gaminimo įtaiso išjungimą, vanduo nebus tiekiamas į ledukų dėžutę. Visgi ledukų dėžutėje gali būti likę ledo, kurį galima išimti. Ledo susidarymą įjungsitė 3 sekundes palaikę nuspaudę ledukų gaminimo įtaiso išjungimo mygtuką.

18. Ledukų gaminimo įtaiso išjungimo indikatorius

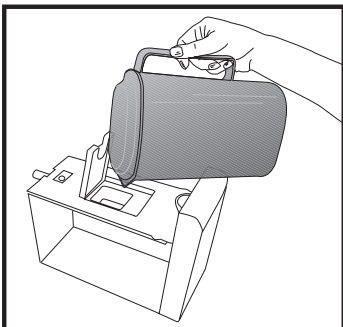
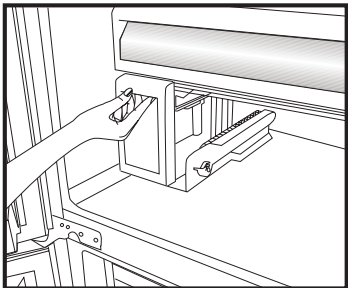
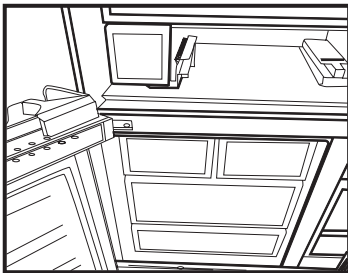
Šią funkciją galite naudoti tuomet, jeigu nenorite, kad šaldytuve būtų gaminamas ledas. Šią funkciją galite įjungti, 3 sekundėms nuspausdami ledukų gaminimo įtaiso išjungimo mygtuką.

Įspėjimo apie atidarytas dureles signalas:

Jeigu šaldytuvo skyriaus durelės arba **Flexi Zone** skyriaus durelės bus paliktos praviros ilgiau nei 1 minutę, pasigirs įspėjimo apie atidarytas dureles signalas. Norėdami išungti garso signalą, tiesiog paspauskite bet kurį valdymo skydelio mygtuką arba uždarykite atidarytas dureles.

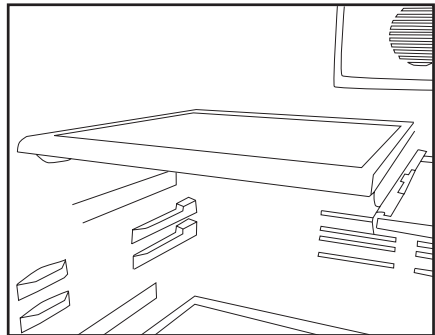
Automatinis ledukų gaminimo įtaisas

Automatinis ledukų gaminimo įtaisas leidžia lengvai gauti šaldytuve gaminamus ledukus. Ištraukite šaldytuvo skyriuje esantį vandens bakelį, pripilkite jį geriamo vandens ir įdėkite atgal, kad ledukų gaminimo įtaisas gamintų ledukus. Pirmieji ledukai bus paruošti po 2 valandų ledukų stalčiuje, esančiame šaldiklio skyriuje. Jeigu bakelis bus visiškai pilnas vandens, galėsite gauti 70 ledo kubelių. Jeigu vandens bakelyje vanduo stovi ilgiau nei 2-3 savaites, pakeiskite vandenį.



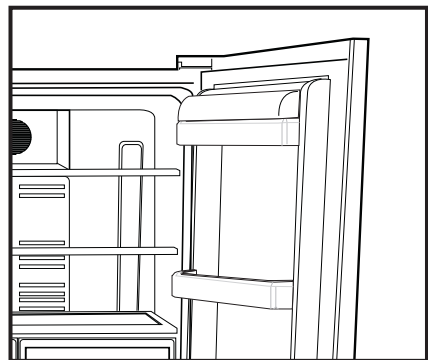
Slankiojamos korpuso lentynos ir galinės pakabomis

Slankiojamos korpuso lentynos su galinėmis pakabomis galima patraukti atgal ir pirmyn. Taip pat galima reguliuoti jų aukštį, ištraukiant ir sumontuojant jas žemesnėje arba aukštesnėje padėtyje. Norėdami ištraukti lentyną, truputį kilstelėkite ją ir patraukite savęs link.



Sviesto ir sūrio skyrius

Šiame skyriuje su dangteliu laikomi tokie maisto produktai kaip sviestas, sūris ir margarinas.

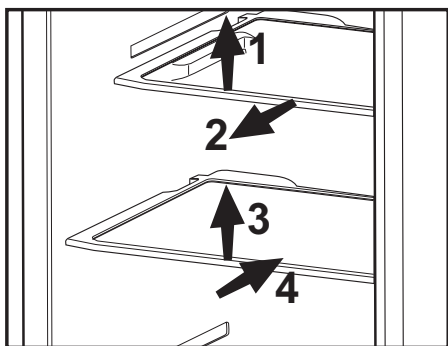


Kiaušinių dėklas

- Kiaušinių dėtuveę galite įrengti norimose durelėse arba korpuso lentynoje.
- Kiaušinių dėtuves niekada nelaikykite šaldiklio skyriuje.

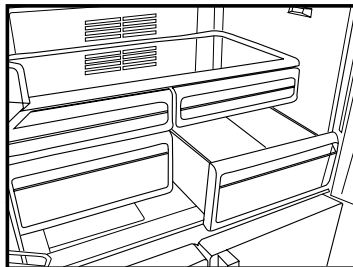
Slankiojamos korpuso lentynos

- Slankiojamas korpuso lentynas galima patraukti pirmyn ir atgal, suėmus jas už priekio ir truputį kilstelėjus jas aukštyn. Traukiant lentyną link priekio, kad galima būtų pasiekti lentynos gale padėtus maisto produktus, ją galima patraukti iki tam tikro fiksavimo taško; truputį kilstelėjus ir patraukus lentyną į antrą fiksavimo tašką, korpuso lentyna bus atlaisvinta. Norint, kad lentyna neapvirštų, ją taip pat reikia tvirtai prilaikyti iš apačios. Korpuso lentyna yra sumontuota ant bėgių, esančių šaldytuvo korpuso šonuose; ją galima įtaisyti apatiniame arba viršutiniame lygyje. Korpuso lentyną reikia pastumti atgal, kad ji būtų visiškai užfiksuota.



Dėžė daržovėms

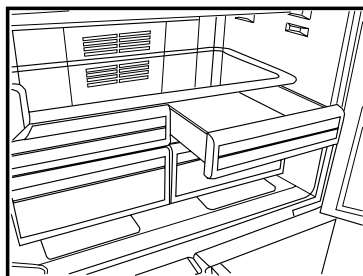
Šio šaldytuvo dėžė daržovėms specialiai sukurta taip, kad joje laikomos daržovės liktų šviežios ir neprarastų savo natūralios drėgmės. Tam aplink dėžę daržovėms paprastai cirkuliuoja šaltas oras.



Aušinimo skyrius

Aušinimo skyriuose galima paruošti užšaldymui maisto produktus, skirtus užšaldyti. Šiuos skyrius taip pat galite naudoti maistui laikyti keliais laipsniais žemesnėje temperatūroje nei šaldytuvo skyriuje.

Šaldytuvo skyriaus talpą galite padidinti išimdami vieną užkandžiams laikyti skirtą skyrių. Norėdami tai padaryti, patraukite skyrių savęs link; skyrius atsirems į stabdiklį ir sustos. Šis skyrius bus atlaisvintas, kai kilstelėsite jį maždaug 1 cm ir patrauksite jį savęs link.

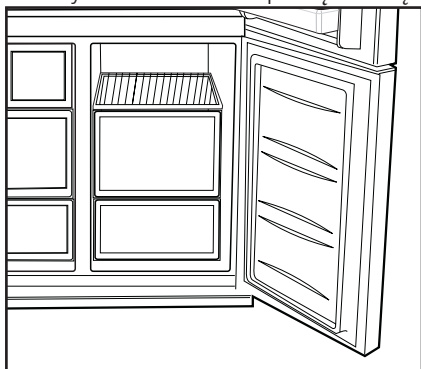


Sukamoji vidurinė dalis

Sukamoji vidurinė dalis skirta apsaugoti, kad neišeitų šaltas šaldytuve esantis oras. Sukamoji vidurinė dalis padeda užtikrinti sandarumą, nes uždarius šaldytuvo skyriaus dureles, durelių tarpikliai prisispaudžia prie sukamosios vidurinės dalies paviršiaus. Kita priežastis, kodėl šaldytuve įrengta sukamoji vidurinė dalis, yra ta, kad ji padidina šaldytuvo skyriaus talpą. Standartinės vidurinės dalys užima dalį nepanaudojamos šaldytuvo vietos.

Universalus skyrius Flexi Zone

Šaldytuvo skyrius Flexi Zone gali būti naudojamas norimu režimu, nustatant šaldytuvo (2/4/6/8 °C) arba aldiklio (-18/-20/-22/-24) temperatūra. Šiame skyriuje pageidaujama temperatūra nustatoma skyriaus Flexi Zone temperatūros nustatymo mygtuku. Skyriuje Flexi Zone galima nustatyti nuo 0 iki 10 laipsnių kitokią

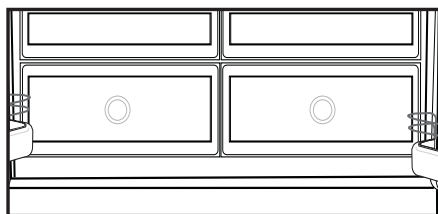


temperatūrą nei šaldytuvo skyriuje ir iki -6 laipsnių kitokią temperatūrą nei aldiklio skyriuje. 0 laipsnių temperatūra naudojama ilgiau laikyti pieno produktų šviežumą, o -6 laipsnių temperatūra naudojama mėsos gaminiams laikyti iki 2 savaičių (mėsą neįšala ir ją lengva pjaustyti).

i Šaldytuvo arba aldiklio skyriaus perjungimo funkciją užtikrina šaldymo elementas, esantis už šaldytuvo esančiame uždaramame skriuje (kompresoriaus skyriuje). Veikiant šiam elementui, iš šaldytuvo gali skliti garsai, primenantys mechaninio laikrodžio sekundžių tiksėjimą. Tai visiškai normalu ir nėra gedimas.

Mėlyno apšvietimo lemputė

Maisto produktuose, laikomuose mėlyna šviesa apšviečiamose daržovių dėtuvėse, toliau vyksta fotosintezė, kurią skatina mėlynos šviesos bangų ilgio poveikis, todėl produktai išlieka švieži, juose padidėja vitaminų kiekis.



5 Techninė priežiūra ir valymas

- ⚠ Valymui niekada nenaudokite benzino, benzolo arba panašių medžiagų.
- ⚠ Prieš valymą rekomenduojama išjungti buitinį prietaisą iš maitinimo tinklo.
- 🔧 Valymui niekada nenaudokite aštrių abrazyvinių įrankių, muilo, buitinio valiklio, skalbimo priemonių ar vaško poliravimui.
- 🔧 Buitinio prietaiso skyrių nuvalykite drungnu vandeniu, o po to sausai iššluostykite.
- 🔧 Šaldytuvo vidui valyti naudokite drėgną nuspaustą skudurėlį, sudrėkintą tirpale, pagamintame ištirpinus vieną arbatinį šaukštelį sodos (bikarbonato) vienoje pintoje (0,57 litro) vandens; po to sausai iššluostykite.
- ⚠ Žiūrėkite, kad į lemputės korpusą ir kitus elektros elementus nepatektų vandens.
- ⚠ Jeigu ketinate ilgam nenaudoti buitinio prietaiso, išjunkite jį ir išimkite visą maistą, išvalykite jį ir palikite dureles pravertas.
- 🔧 Reguliariai patikrinkite, ar durelių tarpikliai yra švarūs ir ant jų nėra maisto dalelių.
- 🔧 Norėdami ištraukti durelių lentynas, išimkite visus daiktus ir po to paprasčiausiai patraukite durelių lentyną į viršų nuo pagrindo.

Plastikinių paviršių apsauga

- 🔧 Į šaldytuvą nedėkite skysto aliejaus ar aliejuje virto maisto neuždarytuose induose, nes tokie produktai pažeis šaldytuvo plastikinius paviršius. Jei aliejus išsilieja ant plastikinių paviršių arba juos sutepa, užterštą vietą iš karto nuvalykite ir nuplaukite šiltu vandeniu.

6 Rekomenduojami problemų sprendimo būdai

Prieš kreipdamiesi į aptarnavimo tarnybą, prašom peržiūrėti šį sąrašą. Taip sutaupysite laiko ir pinigų. Šiame sąraše pateikiamos dažniausiai pasitaikančios problemos, kurios nėra susijusios su pagaminimo arba naudojamų medžiagų broku. Kai kurių čia aprašytų funkcijų jūsų įsigytame gaminyje gali nebūti.

Šaldytuvas neveikia.
<ul style="list-style-type: none">• Ar tinkamai įkištas šaldytuvo laido kištukas? Įkiškite kištuką į sieninį lizdą.• Ar neperdegė lizdo, į kurį yra įjungtas šaldytuvas, saugiklis arba maitinimo tinklo saugiklis? Patikrinkite saugiklį.
Kondensacija ant šaldytuvo skyriaus šoninių sienų. (MULTI ZONE, COOL CONTROL ir FLEXI ZONE)
<ul style="list-style-type: none">• Labai žema aplinkos temperatūra. Dažnai atidaromos ir uždaromos durelės. Didelis aplinkos drėgnumas. Neuždarytuose induose laikomi skysti maisto produktai. Durelės buvo paliktos atidarytos.• Nustatykite žemesnę termostato temperatūrą.• Trumpiau laikykite dureles atviras arba jas rečiau darinėkite.• Tinkamomis medžiagomis uždenkite atviruose induose laikomus maisto produktus.• Susidariusius lašelius nuvalykite sausu skudurėliu ir patikrinkite, ar jie vėl susidaro.
Neveikia kompresorius.
<ul style="list-style-type: none">• Įvykus staigiam energijos tiekimo pertrūkiui, iššoks kompresoriaus terminis saugiklis, arba, jei šaldytuvo slėgis aušinamojoje sistemoje nesubalansuotas, įsijungia išjungiklis.• Šaldytuvas pradės veikti maždaug po 6 minučių. Jei praėjus šiam periodui šaldytuvas neįsijungia, kreipkitės į aptarnavimo tarnybą.• Vyksta šaldytuvo atšildymo ciklas. Tai normalus visiškai automatinio atšildymo šaldytuvo veikimas. Atšildymo ciklas vyksta periodiškai.• Šaldytuvo laido kištukas neįkištas į lizdą. Patikrinkite, ar kištukas gerai įkištas į sieninį lizdą.• Ar nustatyta teisinga temperatūra? Įvyko energijos tiekimo pertrūkis. Kreipkitės į elektros tiekimo įmonę.
Šaldytuvas dažnai įsijungia arba ilgą laiką veikia.

<ul style="list-style-type: none"> • Gali būti, kad jūsų naujasis šaldytuvas platesnis už ankstesnįjį. Tai visiškai normalu. Dideli šaldytuvai veikia ilgesnį laiką. • Gali būti, kad patalpoje yra aukšta temperatūra. Tai visiškai normalu. • Gali būti, kad šaldytuvas neseniai prijungtas arba į jį neseniai sudėta maisto produktų. Visiškas šaldytuvo atvėsimas gali trukti pora valandų ilgiau. • Gali būti, kad į šaldytuvą neseniai įdėta daug karštų maisto produktų. Įdėjus karštų maisto produktų, šaldytuvas veikia ilgiau, t.y. tol, kol produktai atvėsina iki saugaus laikymo temperatūros. • Gali būti, kad buvo dažnai atidarinėjamos durelės arba jos buvo ilgą laiką paliktos atidarytos. Į šaldytuvą pateko šilto oro, todėl šaldytuvas ilgiau veikia. Rečiau atidarinėkite dureles. • Gali būti, kad šaldiklio arba šaldytuvo skyriaus durelės buvo paliktos atidarytos. Patikrinkite, ar gerai uždarėte dureles. • Šaldytuve nustatyta labai žema temperatūra. Nustatykite aukštesnę šaldytuvo temperatūrą ir palaukite, kol ši temperatūra bus pasiekta. • Gali būti, kad užsiteršė, susidėvėjo, buvo pažeistas arba blogai priglunda šaldytuvo arba šaldiklio durelių tarpiklis. Tarpiklį nuvalykite arba pakeiskite. Dėl pažeisto tarpiklio šaldytuvas ilgiau veikia, kad būtų palaikoma esama temperatūra.
<p>Šaldiklio temperatūra labai žema, tačiau šaldytuvo skyriaus temperatūra normali.</p>
<ul style="list-style-type: none"> • Šaldiklyje nustatyta labai žema temperatūra. Nustatykite aukštesnę šaldiklio temperatūrą ir patikrinkite.
<p>Šaldytuvo temperatūra labai žema, tačiau šaldiklio skyriaus temperatūra normali.</p>
<ul style="list-style-type: none"> • Šaldytuve nustatyta labai žema temperatūra. Nustatykite aukštesnę šaldytuvo temperatūrą ir patikrinkite.
<p>Šaldytuvo skyriaus stalčiuose laikomi maisto produktai sušąla.</p>
<ul style="list-style-type: none"> • Šaldytuve nustatyta labai žema temperatūra. Nustatykite aukštesnę šaldytuvo temperatūrą ir patikrinkite.
<p>Temperatūra šaldytuve arba šaldiklyje labai aukšta.</p>
<ul style="list-style-type: none"> • Šaldytuve nustatyta labai aukšta temperatūra. Šaldytuvo temperatūros nuostata daro poveikį šaldiklio temperatūrai. Nustatykite tokią šaldytuvo arba šaldiklio temperatūrą, kad ji būtų reikiamo lygio. • Gali būti, kad durelės paliktos atidarytos. Dureles gerai uždarykite. • Gali būti, kad į šaldytuvą neseniai įdėta daug karštų maisto produktų. Palaukite, kol šaldytuve arba šaldiklyje bus pasiekta norima temperatūra. • Gali būti, kad šaldytuvas neseniai buvo prijungtas. Šaldytuvas yra didelis, todėl jis visiškai atvėsta praėjus tam tikram laikui.
<p>Iš šaldytuvo sklinda garsai, primenantys mechaninio laikrodžio sekundžių tikslėjimą.</p>

<ul style="list-style-type: none"> • Šis garsą skleidžia šaldytuvo solenoidinis vožtuvas. Solenoidinio vožtuvo funkcija - užtikrinti, kad šaldytuvo skyriuje cirkuliuotų aušinimo skystis; šis vožtuvas leidžia nustatyti aušinimą arba šaldymą bei vykdyti aušinimo funkcijas. Tai visiškai normalu ir nėra gedimas.
Šaldytuvui pradėjus veikti, jis veikia triukšmingai.
<ul style="list-style-type: none"> • Šio šaldytumo darbo našumo savybės gali kisti, priklausomai nuo aplinkos temperatūros pokyčių. Tai normalu ir nėra gedimas.
Vibracija arba triukšmas.
<ul style="list-style-type: none"> • Nelygios arba silpnos grindys. Šaldytuvą lėtai judinamas linguoja. Grindys turi būti lygios, pakankamai tvirtos, kad išlaikytų šaldytuvą. • Triukšmą gali kelti ant šaldytuvo sudėti daiktai. Tokius daiktus reikėtų nuimti nuo šaldytuvo viršaus.
Garsai, panašūs į skysčio ištekėjimą arba purškimą.
<ul style="list-style-type: none"> • Šaldytuvą veikia jo viduje cirkuliuojant skysčio ir dujų srautams. Tai normalu ir nėra gedimas.
Girdimas garsas, kyg vėjas pūstų.
<ul style="list-style-type: none"> • Norint, kad šaldytuvą veiksmingai šaldytų, jame naudojami oro srauto aktyvikliai (ventiliatoriai). Tai normalu ir nėra gedimas.
Kondensacija ant vidinių šaldytuvo sienų.
<ul style="list-style-type: none"> • Apledėjimas ir kondensacija didėja esant karštam ir drėgnam orui. Tai normalu ir nėra gedimas. • Atidarytos durelės. Patikrinkite, ar visiškai uždarėte šaldytuvo duris. • Gali būti, kad durelės buvo dažnai darinėjamos arba jos ilgą laiką buvo paliktos atidarytos. Rečiau atidarinkite dureles.
Ant šaldytuvo išorės arba tarp durelių susidaro drėgmės.
<ul style="list-style-type: none"> • Gali būti, kad oras labai drėgnas. Esant drėgnam orui tai visiškai normalu. Sumažėjus drėgnumui, kondensacija nesusidarys.
Šaldytuve sklinda prastas kvapas.
<ul style="list-style-type: none"> • Reikia išvalyti šaldytuvo vidų. Šaldytuvo vidų išvalykite naudodami kempinę, šiltą arba prisotintą angliarūgštės vandenį. • Gali būti, kad kvapą išskiria kai kurie indai arba pakuotės medžiagos. Naudokite kitą indą arba kitokios rūšies pakavimo medžiagą.
Durelės neužsidaro.
<ul style="list-style-type: none"> • Gali būti, kad durims neleidžia užsidaryti maisto produktų pakuotės. Pakuotes, kurios trukdo durelėms užsidaryti, padėkite į kitą vietą. • Gali būti, kad šaldytuvą nelygiai stovi ant grindų, todėl nesmarkiai jį stumtelėjus, jis gali judėti. Sureguliuokite aukščio reguliavimo varžtus. • Nelygios arba netvirtos grindys. Grindys turi būti lygios ir pakankamai tvirtos, kad išlaikytų šaldytuvą.
Užstringa stalčiai.
<ul style="list-style-type: none"> • Gali būti, kad maisto produktai liečia stalčiaus stogą. Pertvarkykite stalčiuje esančius maisto produktus.

Por favor, leia primeiro este manual!

Caro cliente,




Esperamos que o seu produto, que foi produzido em modernas instalações e testado através de rigorosos controlos de qualidade, ofereça-lhe um serviço efectivo. Para isso, recomendamos que leia cuidadosa e inteiramente o manual do seu produto antes de utilizá-lo e guarde-o para futuras consultas.

Este manual

- Ajuda-lo-á a utilizar o seu equipamento de forma rápida e segura.
 - Leia o manual antes de instalar e colocar em funcionamento o seu equipamento.
 - Siga as instruções, especialmente aquelas relativas à segurança.
 - Guarde o manual num local acessível, já que poderá precisar dele mais tarde.
 - Além disso, leia também os outros documentos fornecidos com o seu produto.
- Observe que este manual também pode ser válido para outros modelos.

Os símbolos e as suas descrições

Este manual de instruções contém os seguintes símbolos:

-  Informações importantes ou dicas úteis de utilização.
-  Aviso contra condições de risco para a vida e a propriedade.
-  Aviso contra a voltagem eléctrica.

Reciclagem



Este produto ostenta o símbolo de classificação selectiva para resíduos de equipamentos eléctricos e electrónicos (REEE).

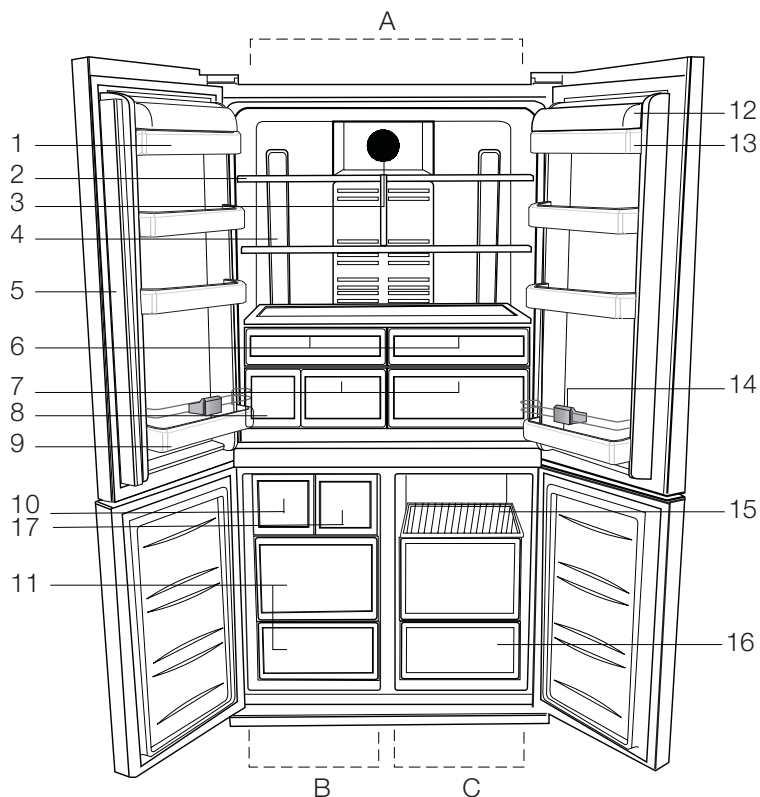
Isto significa que este produto deve ser tratado de acordo com a Directiva Europeia 2002/96 EC para que seja reciclado ou desmantelado afim de minimizar o seu impacto no meio ambiente. Para mais informações, contacte por favor as suas autoridades locais ou regionais.

Os produtos electrónicos não incluídos neste processo de classificação selectiva são potencialmente perigosos para o ambiente e para a saúde humana devido à presença de substâncias perigosas.

Índice

1 O seu frigorífico	3	4 Utilizar o seu frigorífico	12
2 Avisos importantes de segurança	4	Painel indicador	12
Uso pretendido.....	4	Secção de manteiga e queijo	16
Para produtos com um dispensador de água;.....	6	Tabuleiro para ovos	17
Segurança com crianças	6	Prateleiras de estrutura deslizante ...	17
Aviso HCA.....	6	Gaveta para frutos e legumes	17
O que se pode fazer para economizar energia	7	Compartimento de arrefecimento	17
Recomendações para o compartimento de alimentos frescos .	7	Compartimento de armazenamento da Zona Flexi	18
3 Instalação	8	Secção de rotação do meio	18
Preparação.....	8	Luz azul.....	18
Pontos a serem considerados ao transportar novamente o seu frigorífico.....	8	5 Manutenção e limpeza	19
Antes de funcionar o seu frigorífico	9	Protecção das superfícies plásticas	19
Ligação eléctrica	9	6 Soluções recomendadas para os problemas	20
Eliminação da embalagem.....	9		
Eliminação do seu frigorífico velho	9		
Colocação e instalação	10		
Ajuste do nivelamento do pavimento	10		
Ajustar o espaço entre a porta superior	11		

1 O seu frigorífico



- | | |
|---|--|
| A- Compartimento do refrigerador | 8- Reservatório de água |
| B- Compartimento do congelador | 9- Prateleira para garrafas |
| C- Zona Flexi | 10- Icematic |
| 1- Prateleiras da porta do compartimento do refrigerador | 11- Compartimentos para guardar alimentos congelados |
| 2- Prateleiras interiores ajustáveis do compartimento do refrigerador | 12- Cobertura da prateleira para manteiga e queijo |
| 3- Cobertura do difusor | 13- Prateleira para manteiga e queijo |
| 4- Lentes de iluminação | 14- Suporte de garrafas |
| 5- Secção de rotação do meio | 15- Compartimentos de armazenamento |
| 6- Compartimento para arrefecimento | 16- Compartimento de Zona Flexi |
| 7- Gaveta para frutos e legumes | 17- Gaveta de congelação de frescos |

i As figuras que aparecem neste manual de instruções são esquemáticas e podem não corresponder exactamente ao seu produto. Se as partes referidas não estiverem incluídas no produto que adquiriu, é porque são válidas para outros modelos.

2 Avisos importantes de segurança

Por favor, reveja as informações seguintes. A não-observância destas informações pode causar fermentos ou danos ao material. Caso contrário, todas as garantias e compromissos de fiabilidade tornar-se-ão inválidos.

A vida útil da unidade que adquiriu é de 10 anos. Este é o período para manter as peças de reposição exigidas para a unidade a funcionarem conforme descrito.

Uso pretendido

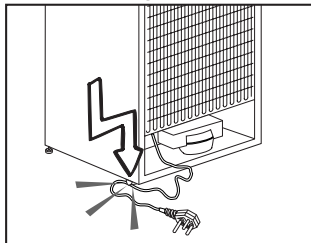
Este produto está concebido para ser usado

- áreas internas e fechadas como casas;
- em ambientes de trabalho fechados, como lojas e escritórios;
- em áreas de hospedagem fechadas, como casas rurais, hotéis, pensões.
- Este produto não deve ser usado em exteriores.

Segurança geral

- Quando quiser eliminar/desfazer-se do produto, recomendamos que consulte o serviço de assistência e os órgãos autorizados para obter mais informações.
- Consulte o seu serviço de assistência autorizado para todas as questões e problemas relativos ao frigorífico. Não tente reparar e nem permita que ninguém o faça sem notificar os serviços de assistência autorizados.
- Para produtos com um compartimento de congelador; Não coma cones de gelados e cubos de gelo imediatamente após retirá-los do compartimento do congelador! (Isto pode provocar queimaduras de frio na sua boca).
- Para produtos com compartimento de congelador; Não coloque bebidas líquidas enlatadas ou engarrafadas no compartimento do congelador. Caso contrário, podem rebentar.
- Não toque nos alimentos congelados; podem ficar presos à sua mão.
- Desligue o seu frigorífico da tomada antes da limpeza ou descongelação.
- O vapor e materiais de limpeza vaporizados nunca deverão ser utilizados nos processos de limpeza e descongelação do seu frigorífico. Em tais casos, o vapor poderá entrar em contacto com as partes eléctricas e provocar curto-circuito ou choque eléctrico.
- Nunca use as partes do seu frigorífico, tal como a porta, como meios de apoio ou degrau.
- Não utilize dispositivos eléctricos dentro do frigorífico.
- Não danifique as partes por onde circula a refrigeração, com ferramentas perfurantes ou cortantes. O refrigerante que pode explodir quando os canais de gás do evaporador, as extensões do tubo ou os revestimentos da superfície são perfurados, causa irritações na pele ou ferimentos nos olhos.
- Não cubra ou bloqueie os orifícios de ventilação do seu frigorífico com nenhum tipo de material.
- Os dispositivos eléctricos só devem ser reparados por pessoas autorizadas. As reparações realizadas por pessoas incompetentes causam riscos ao utilizador.
- Em caso de qualquer falha quer durante uma manutenção ou num trabalho de reparação, desligue a alimentação eléctrica do seu frigorífico, desligando o fusível correspondente ou retirando a ficha da tomada.

- Não puxe pelo cabo quando for retirar a ficha da tomada.
- Coloque as bebidas com teor alcoólico mais elevado bem fechadas e na vertical.
- Nunca guarde latas de aerossol inflamáveis e substâncias explosivas no frigorífico.
- Não utilize dispositivos mecânicos ou outros para acelerar o processo de descongelação. Siga apenas as instruções recomendadas pelo fabricante.
- Este produto não se destina a ser usado por pessoas com incapacidades físicas, sensoriais ou mentais ou sem conhecimento ou experiência (incluindo crianças), a menos que sejam supervisionadas por alguém responsável pela sua segurança ou que as instrua sobre o uso do produto.
- Não utilize um frigorífico avariado. Consulte o agente autorizado se tiver qualquer questão.
- A segurança eléctrica do seu frigorífico apenas poderá ser garantida se o sistema de ligação à terra da sua casa estiver em conformidade com as normas.
- A exposição do produto à chuva, neve, sol e vento é perigosa no que toca à segurança eléctrica.
- Para evitar qualquer perigo, contacte o serviço autorizado se o cabo eléctrico estiver danificado.
- Nunca ligue o frigorífico à tomada de parede durante a instalação. Caso contrário, poderá ocorrer perigo de morte ou ferimentos graves.
- Este frigorífico foi concebido unicamente para guardar alimentos. Não deverá ser utilizado para quaisquer outros fins.
- A etiqueta das especificações técnicas está localizada na parede esquerda no interior do frigorífico.
- Nunca ligue o seu frigorífico a sistemas de poupança de electricidade, pois podem danificá-lo.
- Se o frigorífico possuir luz azul, não olhe para ela com dispositivos ópticos.
- Para frigoríficos controlados manualmente, aguarde pelo menos 5 minutos para voltar a ligá-lo após uma falha eléctrica.
- Este manual de instruções deverá ser entregue ao novo proprietário do produto quando for dado/vendido a outros.
- Evite causar danos ao cabo eléctrico quando transportar o frigorífico. Dobrar o cabo pode causar incêndio. Nunca pouxe objectos pesados no cabo eléctrico. Não toque na ficha com as mãos molhadas quando a introduz na tomada para ligar o produto.



- Não ligue o frigorífico à tomada, se a tomada de parede estiver solta.
- Não deverá ser vaporizado directamente nas partes interiores ou interiores do produto devido a razões de segurança.
- Para evitar risco de incêndio e explosão, não vaporize substâncias que contenham gases inflamáveis, tais como gás propano, etc., próximo ao frigorífico.

- Não coloque recipientes que contenham água sobre o topo do frigorífico, visto que tal poderá resultar em choque eléctrico ou incêndio.
- Não sobrecarregue o frigorífico com excesso de alimentos. Se sobrecarregado, os alimentos podem cair e feri-lo a si e danificar o frigorífico ao abrir a porta. Nunca coloque objectos no topo do frigorífico, visto que estes podem cair quando se abre ou fecha a porta do frigorífico.
- Como precisam de um controlo de temperatura exacta, as vacinas, medicamentos sensíveis ao aquecimento, materiais científicos, etc., não deverão ser guardados no frigorífico.
- Se não for utilizado por um longo tempo, o frigorífico deve ser desligado da tomada. Qualquer problema possível no cabo eléctrico poderá resultar em incêndio.
- A extremidade da ficha eléctrica deverá ser limpa regularmente, caso contrário, poderá provocar incêndio.
- A extremidade da ficha eléctrica deverá ser limpa regularmente com um pano seco; caso contrário, poderá provocar incêndio.
- O frigorífico pode mover-se se os pés não estiverem devidamente fixados ao piso. O ajuste seguro e apropriado dos pés ao piso pode impedir o frigorífico se mova.
- Ao transportar o frigorífico, não segure pelo puxador da porta. Caso contrário, pode quebrar.
- Se posicionar o seu frigorífico próximo de outro frigorífico ou arca frigorífica, a distância entre os dispositivos deve ser de pelo menos 8 cm. Caso contrário, as paredes laterais adjacentes podem humedecer.

Para produtos com um dispensador de água;

A pressão da conduta de água deve ser de no mínimo 1 bar. A pressão da conduta de água deve ser de no máximo 8 bar.

- Use apenas água potável

Segurança com crianças

- Se a porta possuir uma fechadura, a chave deverá ser mantida afastada do alcance das crianças.
- As crianças devem ser vigiadas para impedir que brinquem com o produto.

Aviso HCA

O sistema de arrefecimento do seu produto contém R600a:

Este gás é inflamável. Por isso, tenha cuidado em não danificar o sistema de arrefecimento e a tubagem durante o uso e transporte. No caso de algum dano, mantenha o seu produto longe de potenciais fontes de fogo que possam fazer com que o produto de incendeie e ventile o compartimento no qual a unidade está colocada.

Ignore este aviso se o sistema de arrefecimento do seu produto contiver R134a:

O tipo de gás usado no produto está indicado na placa de características localizada na parede esquerda no interior do frigorífico.

Nunca elimine o seu produto no fogo.

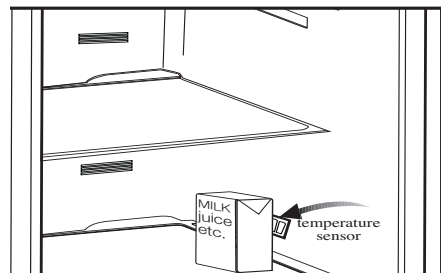
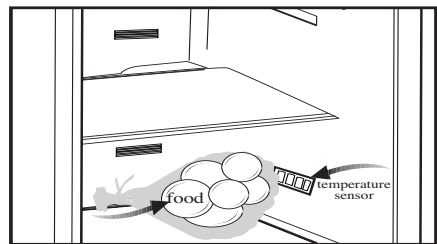
O que se pode fazer para economizar energia

- Não deixe as portas do seu frigorífico abertas durante muito tempo.
- Não coloque alimentos ou bebidas quentes no seu frigorífico.
- Não sobrecarregue o seu frigorífico para que a circulação do ar no interior não seja dificultada.
- Não instale o seu frigorífico sob a luz solar directa ou próximo de aparelhos que emitem calor tais como fornos, máquinas de lavar louça ou radiadores.
- Tenha cuidado em manter os seus alimentos em recipientes fechados.
- Para produtos com um compartimento de congelador; Pode armazenar uma quantidade máxima de alimentos no congelador se remover a prateleira ou gaveta do congelador. O valor do consumo de energia indicado no seu frigorífico foi determinado removendo a prateleira do congelador ou a gaveta e com carga máxima. Não existe qualquer risco em utilizar uma prateleira ou gaveta de acordo com as formas e tamanhos dos alimentos a serem congelados.
- Descongelar os alimentos congelados no compartimento do frigorífico poupará energia e preservará a qualidade dos alimentos.

Recomendações para o compartimento de alimentos frescos

* OPCIONAL

- Não deixe que nenhum alimento entre em contacto com o sensor de temperatura no compartimento de alimentos frescos. Para manter o compartimento de alimentos frescos na temperatura ideal de armazenamento, o sensor não pode estar obstruído por alimentos.
- Não coloque alimentos quentes no seu equipamento.



3 Instalação

⚠ Por favor, lembre-se que o fabricante não pode ser responsabilizado se não forem observadas as informações fornecidas no manual de instruções.

Preparação

- O seu frigorífico deverá ser instalado a uma distância mínima de 30 cm de quaisquer fontes de calor, tais como placas, fornos, aquecimento central e fogões e de 5 cm de fornos eléctricos e não deverá ficar exposto directamente à luz solar.
- A temperatura ambiente do compartimento onde está instalado o seu frigorífico não deve ser inferior a 10°C. Utilizar o seu frigorífico em condições de temperatura mais baixas não é recomendado em atenção à sua eficiência.
- Certifique-se de que o interior do seu frigorífico esteja completamente limpo.
- Se forem instalados dois frigoríficos lado a lado, deverá existir uma distância mínima de 2 cm entre eles.
- Quando utilizar o seu frigorífico pela primeira vez, por favor, observe as seguintes instruções durante as seis horas iniciais.
 - A porta não deverá ser aberta frequentemente.
 - Deve começar a funcionar vazio, sem alimentos no interior.
 - Não retire a ficha da tomada do seu frigorífico. Se houver uma falha de energia inesperada, por favor consulte os avisos na secção "Soluções recomendadas para os problemas".
- A embalagem original e os materiais de esponja deverão ser guardados para transportes ou deslocações futuras.

Pontos a serem considerados ao transportar novamente o seu frigorífico

1. O seu frigorífico deve ser esvaziado e limpo antes de ser transportado.
2. As prateleiras, acessórios, gaveta para frutas e legumes, etc. do seu frigorífico devem ser firmemente presos com fita adesiva, devido aos solavancos antes de voltar a empacotá-lo.
3. A embalagem deve ser amarrada com fitas grossas e cordas fortes e devem ser seguidas as normas de transporte indicadas na mesma.

Não se esqueça...

Todo material reciclado é uma fonte indispensável para a natureza e para os nossos recursos nacionais.

Se quiser contribuir para a reciclagem dos materiais da embalagem, pode obter mais informações nos organismos relativos ao ambiente ou junto das autoridades locais.

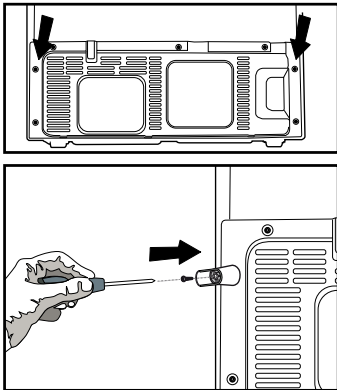
O valor da classe climática do equipamento é dada na placa de características localizada no interior do equipamento. Esta placa especifica as temperaturas ambientes de funcionamento, como explicado abaixo.

Classe climática	Temperaturas ambiente
SN.....	+10 °C a 32 °C
N.....	+16 °C a 32 °C
ST.....	+18 °C a 38 °C
T.....	+18 °C a 43 °C
SN-ST.....	+10 °C a 38 °C
SN-T.....	+10 °C a 43 °C

Antes de funcionar o seu frigorífico

Antes de iniciar a utilização do seu frigorífico, verifique o seguinte:

1. O interior do frigorífico está seco e o ar pode circular livremente na sua parte traseira?
2. Introduza os 2 calços plásticos na ventilação traseira, conforme mostrado na figura seguinte. Desaparafuse os existentes e use os parafusos fornecidos no saco dos calços. Os calços plásticos proporcionarão a distância necessária entre o seu frigorífico e a parede, permitindo assim a livre circulação do ar.



3. Limpe o interior do frigorífico conforme recomendado na secção “Manutenção e limpeza”.
4. Ligue o frigorífico à tomada eléctrica. Quando a porta é aberta a respectiva luz interior liga.
5. Ouvirá um ruído quando o compressor começar a trabalhar. O líquido e os gases no interior do sistema de refrigeração também podem fazer algum ruído, mesmo que o compressor não esteja a funcionar, o que é perfeitamente normal.
6. As arestas da frente do frigorífico podem ficar quentes. Isto é normal. Estas arestas são projectadas para ficarem quentes, a fim de evitar a condensação.

Ligação eléctrica

Ligue o seu frigorífico a uma tomada de terra, que esteja protegida por um fusível com a capacidade apropriada.

Importante:

- A ligação deve estar em concordância com os regulamentos nacionais.
- A ficha do cabo de alimentação deve estar facilmente acessível após a instalação.
- A voltagem e o fusível de protecção permitido estão indicados na secção “Especificações técnicas”.
- A voltagem especificada deve ser igual à sua voltagem eléctrica.
- Não devem ser usados cabos de extensão e fichas multiusos para a ligação.

⚠ Um cabo de alimentação danificado deve ser substituído por um electricista qualificado.

⚠ O equipamento não deve ser utilizado antes de ser reparado! Há risco de choque eléctrico!

Eliminação da embalagem

Os materiais de embalagem podem ser perigosos para as crianças. Guarde os materiais da embalagem fora do alcance das crianças ou elimine-os, classificando-os de acordo com as instruções sobre o lixo. Não os elimine juntamente com o lixo doméstico normal.

A embalagem do seu frigorífico é produzida com materiais recicláveis.

Eliminação do seu frigorífico velho

Elimine a sua máquina velha sem causar qualquer perigo ao meio ambiente.

- Pode consultar o seu revendedor autorizado ou o centro de recolha do lixo do seu município a respeito da eliminação do seu frigorífico.

Antes de se desfazer do seu frigorífico, corte a ficha eléctrica e, se houver trincos nas portas, deixe-os inutilizados, a fim de proteger as crianças contra qualquer perigo.

Colocação e instalação

Cuidado: Nunca ligue o frigorífico à tomada de parede durante a instalação. Caso contrário, poderá ocorrer perigo de morte ou ferimentos graves.

Se a porta de entrada do compartimento onde o frigorífico será instalado não for o suficientemente larga para que ele passe, chame o serviço de assistência autorizado para que possam remover as portas do seu frigorífico e passá-lo de forma inclinada através da porta.

1. Instale o seu frigorífico num local que permita fácil acesso.
2. Mantenha o seu frigorífico longe das fontes de calor, lugares húmidos e luz solar directa.
3. Deve existir uma circulação de ar adequada à volta do seu frigorífico, para que obtenha um funcionamento eficiente.

Se o frigorífico for colocado numa reentrância da parede, deve haver uma distância mínima de 5cm do tecto e, pelo menos, 5 cm da parede.

Se o piso for coberto por alcatifa, o seu produto deve ter uma elevação de 2,5 cm do chão.

4. Coloque o seu frigorífico num pavimento uniforme para evitar solavancos.
5. Não mantenha o seu frigorífico em temperaturas ambientes inferiores a 10°C.

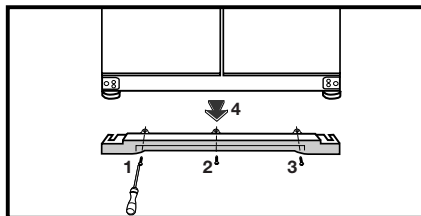
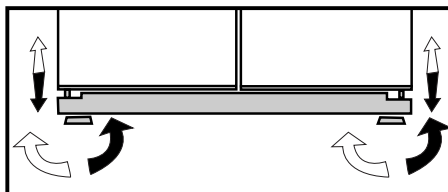
Ajuste do nivelamento do pavimento

Se o seu frigorífico estiver desnivelado;

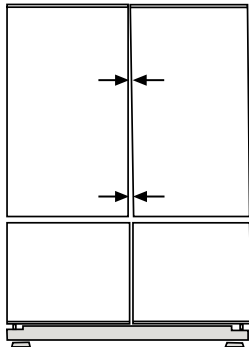
1- A tampa de ventilação é removida desapertando os seus parafusos, conforme ilustrado na figura antes do procedimento. Pode equilibrar o seu frigorífico, rodando os seus pés frontais conforme ilustrado na figura. O canto onde está o pé é baixado quando roda na direcção da seta preta e levantado quando roda na direcção oposta. Peça ajuda a alguém para erguer ligeiramente o frigorífico, facilitará este processo.

2. Após o equilíbrio ter sido solucionado, instale de volta a tampa de ventilação e aperte os parafusos.

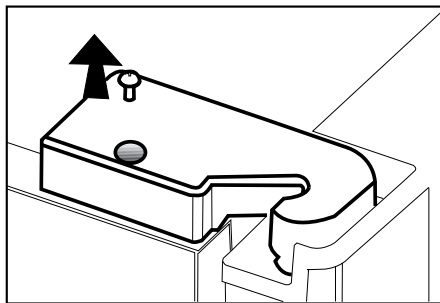
3. Remova os parafusos que fixam a tampa de ventilação usando uma chave de fendas Philips.



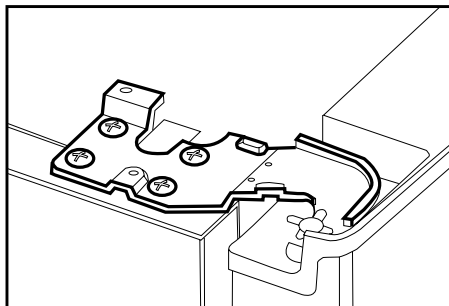
Ajustar o espaço entre a porta superior



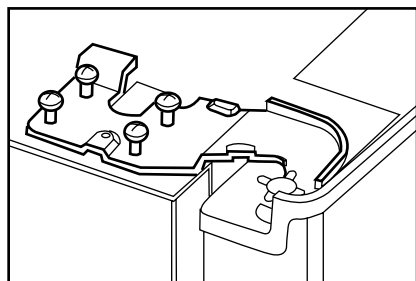
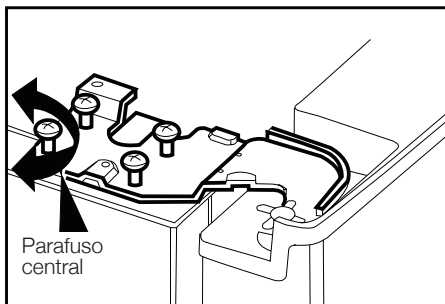
- Pode ajustar o espaço entre as portas do compartimento do refrigerador, conforme ilustrado nas figuras.



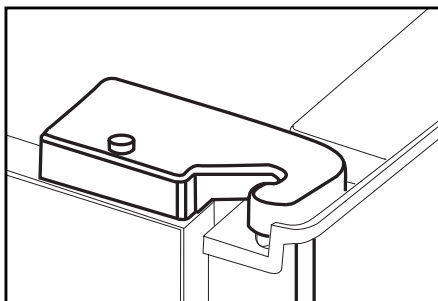
- As prateleiras da porta devem estar vazias quando ajustar a altura da porta.
- Com uma chave de fendas, remova o parafuso da cobertura da dobradiça superior que pretende ajustar.



- Ajuste a porta conforme pretendido, apertando os parafusos.



- Fixe a porta que ajustou apertando os parafusos, sem alterar a posição da porta.

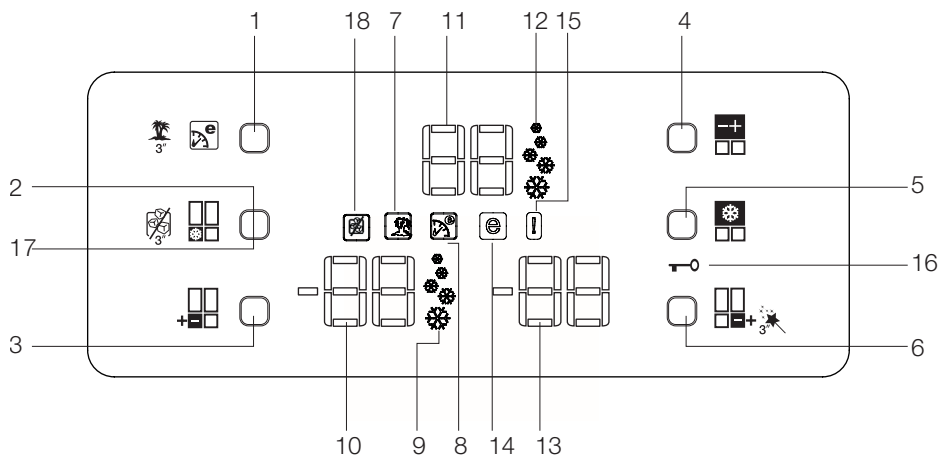


- Recoloque a cobertura da dobradiça e fixe com o parafuso.

4 Utilizar o seu frigorífico

Painel indicador

Este painel indicador por controlo digital permite-lhe definir a temperatura, sem abrir a porta do seu frigorífico. Basta tocar no botão correspondente com o seu dedo para definir a temperatura.



1. Botão Eco Extra/Vacation
2. Botão Fast Freeze/Ice Off
3. Botão de definição da temperatura do compartimento do congelador
4. Botão de definição da temperatura do compartimento do refrigerador
5. Botão Quick Cool
6. Botão de definição da temperatura do compartimento de armazenamento Zona Flexi
7. Indicador da função Vacation (Férias)
8. Indicador da função Eco Extra
9. Indicador da função Quick Freeze (Congelação rápida)
10. Indicador da temperatura do compartimento do congelador
11. Indicador da temperatura do compartimento do refrigerador
12. Indicador da função Quick Cool (Arrefecimento rápido)
13. Indicador da temperatura do compartimento de armazenamento Zona Flexi
14. Indicador do Economy Mode (Modo economia)
15. Indicador do tipo de erro
16. Indicador do bloqueio de tecla
17. Botão da função Ice off (sem gelo)
18. Indicador da função Ice off

ⓘ As figuras que aparecem neste manual de instruções são esquemáticas e podem não corresponder exactamente ao seu produto. Se as partes referidas não estiverem incluídas no produto que adquiriu, é porque são válidas para outros modelos.

1. Botão Eco Extra/Vacation

Prima este botão rapidamente para activar a função Eco Extra. Mantenha este botão premido por 3 seg. para activar a função Vacation (Férias). Prima novamente este botão para desactivar a função seleccionada.

2. Botão Fast Freeze (Congelação rápida)

Prima este botão rapidamente para activar a função Fast Freeze. Prima novamente este botão para desactivar a função seleccionada.

3. Botão de definição da temperatura do compartimento do congelador

Prima este botão para definir a temperatura do compartimento do congelador para -18, -20, -22, -24, -18... respectivamente. Prima este botão para definir a temperatura pretendida para o compartimento do congelador.

4. Botão de definição da temperatura do compartimento do refrigerador

Prima este botão para definir a temperatura do compartimento do refrigerador para 8, 6, 4, 2, 8... respectivamente. Prima este botão para definir a temperatura pretendida para o compartimento do refrigerador.

5. Botão Quick Cool (Arrefecimento rápido)

Prima este botão rapidamente para activar a função Quick Cool. Prima novamente este botão para desactivar a função seleccionada.

6. Botão de definição da temperatura do compartimento de armazenamento Zona Flexi

Pode definir o compartimento de armazenamento da Zona Flexi tanto para congelação como para arrefecimento. Mantenha este botão premido por 3 seg. para definir o compartimento de armazenamento da Zona Flexi para congelação ou para arrefecimento. Este compartimento vem definido por fábrica como compartimento de congelação.

Se o compartimento de armazenamento da Zona Flexi estiver definido como para congelação, então a temperatura do compartimento para armazenamento da Zona Flexi alterará conforme -18, -20, -22, -24, -18... respectivamente, cada vez que premir este botão. Se o compartimento de armazenamento da Zona Flexi estiver definido como para arrefecimento, então a temperatura do compartimento para armazenamento da Zona Flexi alterará conforme -6, 0, 2, 4, 6, 8, 10... respectivamente, cada vez que premir este botão.

7. Indicador da função Vacation (Férias)

Indica que a função Vacation está activa. Se a função estiver activa, “- -“ aparece no indicador do compartimento do refrigerador e não é realizado qualquer arrefecimento no compartimento do refrigerador. Outros componentes serão arrefecidos de acordo com a temperatura definida para eles.

Prima novamente este botão para desactivar esta função.

8. Indicador da função Eco Extra

Indica que a função Eco Extra está activa. Se esta função estiver activa, o seu frigorífico detectará automaticamente os períodos de menor utilização e o arrefecimento com eficiência energia será realizado durante estas alturas. O indicador de Economia estará activo enquanto o arrefecimento com eficiência de energia estiver a ser realizado.

Prima novamente este botão para desactivar esta função.

9. Indicador da função Quick Freeze (Congelação rápida)

Indica que a função Quick Freezer está activa. Utilize esta função quando colocar alimentos frescos no compartimento do congelador ou quando precisar de gelo. Quando esta função estiver activa, o seu frigorífico funcionará por 6 horas sem interrupção.

Prima novamente este botão para desactivar esta função.

10. Indicador da temperatura do compartimento do congelador

Indica a temperatura definida para o compartimento do congelador.

11. Indicador da temperatura do compartimento do refrigerador

Indica a temperatura definida para o compartimento do refrigerador.

12. Indicador da função Quick Cool (Arrefecimento rápido)

Indica que a função Quick Cool está activa. Utilize esta função quando colocar alimentos frescos no compartimento do refrigerador ou quando precisar de gelo. Quando esta função estiver activa, o seu frigorífico funcionará por 2 horas sem interrupção.

Prima novamente este botão para desactivar esta função.

13. Indicador da temperatura do compartimento de armazenamento Zona Flexi

Indica a temperatura definida para o compartimento de armazenamento da Zona Flexi.

14. Indicador do Economy Mode (Modo Economia)

Indica que o frigorífico está a funcionar no modo com eficiência de energia. Temperatura do compartimento do congelador

Este indicador estará activo se a função estiver definida para -18 ou se o arrefecimento com eficiência de energia estiver a ser realizado devido a função Eco-Extra.

15. Indicador do tipo de erro

Se o seu frigorífico não arrefecer adequadamente ou se houver falha no sensor, este indicador será activado. Quando este indicador estiver activo, o indicador da temperatura do compartimento do congelador exibirá "E" e o indicador da temperatura do compartimento do refrigerador exibirá números, tais como "1,2,3...". Estes números no indicador informam sobre o erro ao pessoal da assistência técnica.

16. Indicador de bloqueio de tecla

Use esta função se não quiser que a definição da temperatura do seu frigorífico seja alterada. Prima simultaneamente o botão Quick Cool e o botão de definição da temperatura do compartimento de armazenamento da Zona Flexi por 3 seg. para activar esta funcionalidade.

Prima novamente os botões correspondentes para desactivar esta função.

17. Botão de cancelamento do gelo (Ice off)

Para interromper a formação de gelo, o botão "Ice Off" (cancelamento do gelo) deve ser premido por 3 segundos. Quando o Ice off é seleccionado, não é enviada qualquer água para a caixa de gelo. Apesar disso, pode ficar depositado algum gelo na caixa de gelo, que pode ser retirado dali. Para reiniciar a formação de gelo, o botão "Ice Off" (cancelamento do gelo) deve ser premido novamente por 3 segundos.

18. Indicador de Ice Off

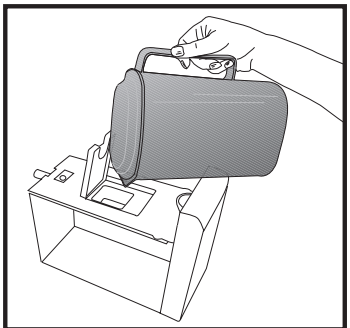
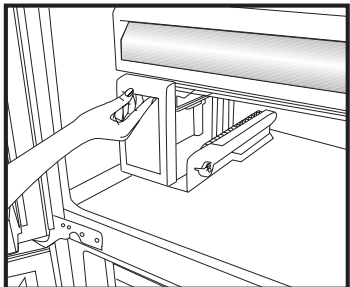
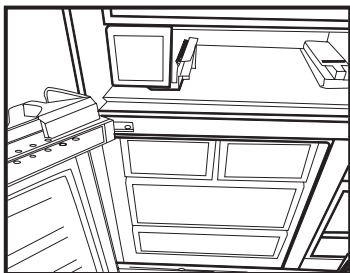
Se não quiser obter gelo a partir do seu frigorífico, precisará usar esta função. Pode usar esta função premindo o botão de cancelamento do gelo (Ice off) por 3 segundos.

Alarme da porta aberta:

Se a porta do compartimento do refrigerador ou a porta do compartimento de armazenamento da **Zona Flexi** permanecer aberta por no mínimo 1 minuto, o alarme sonoro de porta aberta será activado. Para silenciar o alarme, basta premir qualquer botão no indicador ou fechar a porta aberta.

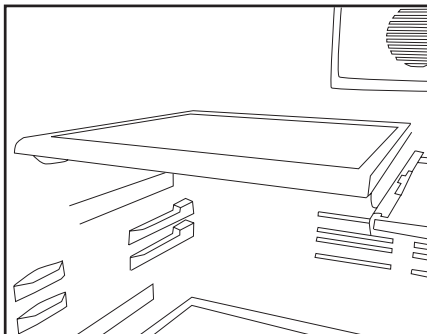
Icematic autom tico

O sistema Icematic automático permite-lhe obter gelo do seu frigorífico com muita facilidade. Remova o reservatório de água no compartimento do refrigerador, encha-o com água e instale-o de volta para obter gelo do Icematic. O primeiro gelo estará pronto dentro de 2 horas na gaveta para gelo localizada no compartimento do congelador. Pode obter 70 cubos de gelo se o reservatório de água estiver completamente cheio. Troque a água do reservatório se a água tiver lá permanecido por mais do que 2-3 semanas.



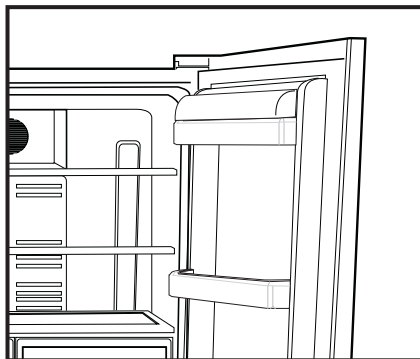
Prateleiras deslizantes da estrutura com suportes traseiros

As prateleiras deslizantes da estrutura com suportes traseiros podem ser movidas para a frente e para trás. A sua altura também pode ser ajustada, removendo-as e instalando-as numa posição superior ou inferior. Erga ligeiramente a prateleira e puxe na sua direção para a remover.



Secção de manteiga e queijo

Alimentos tais como manteiga, queijo e margarina devem ser guardados neste compartimento, já que possui tampa.



Tabuleiro para ovos

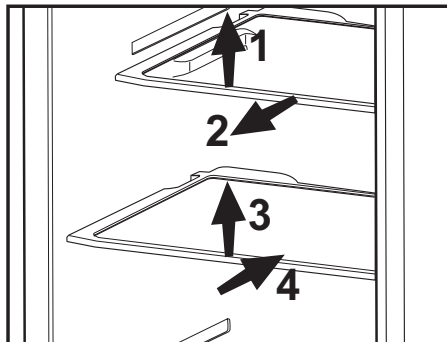
- Poderá instalar o suporte para ovos na porta que desejar ou prateleira da estrutura.
- Nunca guarde o suporte para ovos no compartimento do congelador

Prateleiras de estrutura deslizante

- As prateleiras de estrutura deslizante podem ser puxadas, levantando-se ligeiramente a parte frontal e movendo para trás e para frente. Elas atingem um ponto de paragem quando puxadas para frente para permitir que alcance os alimentos colocados no fundo da prateleira; quando são puxadas após levantar ligeiramente até o segundo ponto de paragem, a prateleira de estrutura será solta.

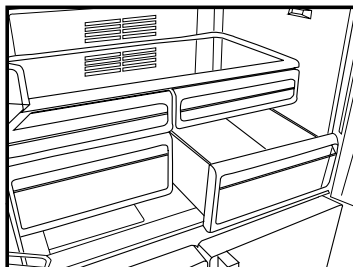
A prateleira deverá ser segurada firmemente pelo fundo, para impedir que revire. A prateleira de estrutura é colocada nas guias nas partes laterais da estrutura do frigorífico, colocando-a num nível inferior ou superior.

A prateleira de estrutura deverá ser empurrada para trás, para ficar completamente encaixada.



Gaveta para frutos e legumes

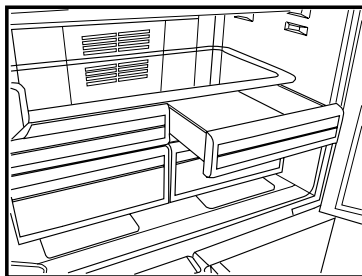
A gaveta para frutos e legumes do seu frigorífico foi especialmente projectada para guardar os seus legumes frescos sem que percam a sua humidade. Para este propósito, a circulação de ar frio ocorre por toda a gaveta.



Compartimento de arrefecimento

Os compartimentos de arrefecimento possibilitam que os alimentos arrefecidos estejam prontos para congelar. Também pode usar estes compartimentos para armazenar os seus alimentos numa temperatura de alguns graus abaixo no compartimento do refrigerador.

Pode aumentar o volume interno do seu frigorífico, removendo algum dos compartimentos para salgadinhos (snack). Para fazer isso, puxe o compartimento em direcção a si; o compartimento apoiar-se-á no retentor e parará. Este compartimento será libertado quando o levantar cerca de 1cm e puxá-lo em direcção a si.



Secção de rotação do meio

A secção de rotação do meio está concebida para impedir que o ar frio no interior do seu frigorífico escape para fora. A secção de rotação do meio ajuda na vedação, uma vez que as juntas da porta pressionam a superfície da secção de rotação do meio, quando as portas do compartimento do refrigerador são fechadas. O motivo do seu frigorífico estar equipado com uma secção de rotação do meio é para aumentar o volume líquido do compartimento do refrigerador. As secções do meio padronizadas ocupam um volume não utilizável no frigorífico.

Compartimento de armazenamento da Zona Flexi

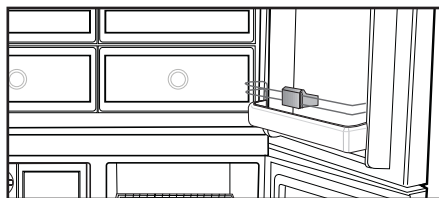
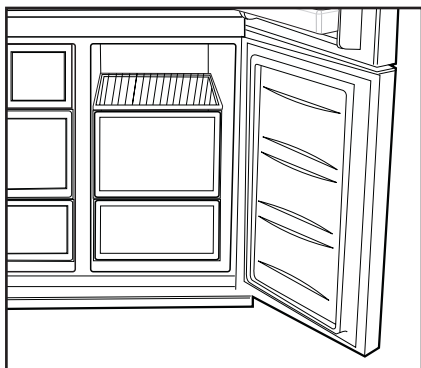
O compartimento de armazenamento da zona Flexi do seu frigorífico pode ser usado em qualquer modo pretendido, ajustando as temperaturas do refrigerador (2/4/6/8 °C) ou do congelador (-18/-20/-22/-24). Pode manter o compartimento na temperatura pretendida através do Botão de definição da temperatura do compartimento de armazenamento da Zona Flexi. A temperatura do

compartimento de armazenamento da zona Flexi pode ser definida para 0 e 10 graus além das temperaturas do compartimento do refrigerador e para -6 graus além das temperaturas do compartimento do congelador. 0 graus é usado para armazenar produtos de charcutaria por mais tempo e -6 graus é usado para conservar carnes até 2 semanas, numa condição que facilita o corte.

i A função de permutar para um compartimento do Congelador ou do Refrigerador é fornecida através do elemento de arrefecimento localizado na secção fechada (compartimento do compressor) atrás do frigorífico. Durante o funcionamento deste elemento, podem ser ouvidos sons semelhantes aos sons do correr dos segundos num relógio. Esta situação é normal e não é causa de problema.

Luz azul

Os alimentos guardados nas gavetas para frutas e legumes que são iluminados com uma luz azul, continuam a sua fotossíntese através do efeito de extensão de onda da luz azul e por isso, conservam a sua frescura e o seu conteúdo vitamínico é aumentado.



5 Manutenção e limpeza

- ⚠ Nunca use gasolina, benzeno ou substâncias semelhantes para a limpeza.
- ⚠ Recomendamos que desligue a ficha de equipamento da tomada antes da limpeza.
- ℹ Nunca utilize na limpeza objectos abrasivos ou pontiagudos, sabões, produtos de limpeza doméstica, detergentes ou ceras brilhantadoras.
- ℹ Utilize água morna para limpar o exterior do seu frigorífico e seque-o com um pano.
- ℹ Utilize um pano humedecido numa solução composta por uma colher de chá de bicarbonato de soda dissolvido em cerca de meio litro de água para limpar o interior e limpe até secar.
- ⚠ Certifique-se de que não entra água no compartimento da lâmpada e nos outros itens eléctricos.
- ⚠ Se o seu frigorífico não for utilizado durante um longo período de tempo, remova o cabo de alimentação, retire todos os alimentos, limpe-o e deixe a porta entreaberta.
- ℹ Verifique regularmente as borrachas herméticas da porta, para assegurar que elas estão limpas e sem restos de alimentos.
- ℹ Para remover os suportes da porta, retire todo o seu conteúdo e, em seguida, apenas puxe cuidadosamente o seu suporte para cima a partir da base.

Protecção das superfícies plásticas

- ℹ Não coloque óleos líquidos ou comidas cozinhadas no óleo no seu frigorífico, em recipientes abertos, já que podem danificar as superfícies plásticas do seu frigorífico. No caso de derrame ou salpico de óleo nas superfícies plásticas, limpe e enxagúe a parte correspondente da superfície com água morna.

6 Solu es recomendadas para os problemas

Por favor, reveja esta lista antes de telefonar para a assistência. Com isso, pode poupar tempo e dinheiro. Esta lista abrange as reclamações frequentes resultantes de defeitos de fabricação ou utilização do material. Algumas das funções descritas aqui podem não existir no seu produto.

<p>O frigorífico não funciona</p> <ul style="list-style-type: none">• O frigorífico tem a ficha eléctrica ligada correctamente à tomada? Introduza a ficha na tomada de parede.• O fusível da tomada na qual o frigorífico está ligado ou o fusível principal não está queimado? Verifique o fusível.
<p>Condensação na parede lateral do compartimento do frigorífico. (MULTI ZONA, CONTROLO DE ARREFECIMENTO e FLEXI ZONA)</p> <ul style="list-style-type: none">• Condições ambientais muito frias. Abertura e fecho frequentes da porta. Condições ambientais de alta humidade. Armazenamento de alimentos que contém líquidos em recipientes abertos. A porta foi deixada entreaberta.• Comute o termóstato para um grau mais frio.• Diminua o número de vezes de abertura da porta ou utilize menos frequentemente.• Cubra os alimentos guardados em recipientes abertos com um material apropriado.• Limpe a condensação usando um pano seco e verifique, se persistir.
<p>O compressor não está a funcionar.</p> <ul style="list-style-type: none">• A protecção térmica do compressor deixará de funcionar durante falhas eléctricas repentinas ou na extracção/colocação da ficha eléctrica, já que a pressão refrigerante no sistema de arrefecimento do frigorífico ainda não se encontra estabilizada.• O seu frigorífico voltará a funcionar aproximadamente 6 minutos depois. Por favor, chame a assistência se o seu frigorífico não começar a operar no fim deste período.• O frigorífico está no ciclo de descongelação. Isto é normal num frigorífico de descongelação totalmente automático. O ciclo de descongelação ocorre periodicamente.• O seu frigorífico não está ligado à tomada. Certifique-se de que a ficha está introduzida firmemente na tomada de parede.• A regulação da temperatura está feita correctamente? Há uma falha eléctrica. Telefone para a empresa de electricidade.
<p>O frigorífico está a funcionar frequentemente ou por um longo tempo.</p>

<ul style="list-style-type: none"> • O seu novo frigorífico pode ser mais largo do que o anterior. Esta situação é perfeitamente normal. Os frigoríficos grandes operam por um período maior de tempo. • A temperatura ambiente pode estar elevada. Isto é bastante normal. • O frigorífico foi ligado à tomada há pouco tempo ou carregado com alimentos. O arrefecimento total do frigorífico pode demorar mais do que duas horas. • Podem ter sido colocadas recentemente grandes quantidades de alimentos quentes no frigorífico. Os alimentos quentes obrigam a um funcionamento mais vigoroso do frigorífico até que alcance a temperatura segura de armazenamento. • As portas podem estar a ser abertas frequentemente ou foram deixadas entreabertas por longo tempo. O ar quente que entrou no frigorífico faz com que o mesmo tenha que funcionar por períodos mais longos. Abra as portas com menos frequência. • A porta do compartimento do frigorífico ou do congelador pode ter sido deixada entreaberta. Verifique se as portas estão completamente fechadas. • O frigorífico está ajustado para uma temperatura muito baixa. Ajuste a temperatura do frigorífico para um grau mais quente e aguarde até que a temperatura seja atingida. • O vedante da porta do frigorífico ou do congelador pode estar sujo, gasto, roto ou não ajustado correctamente. Limpe ou substitua o vedante. O vedante danificado/roto faz com que o frigorífico funcione por um período de tempo maior para que mantenha a temperatura actual.
A temperatura do congelador está muito baixa, enquanto que a temperatura do frigorífico é suficiente.
<ul style="list-style-type: none"> • A temperatura do congelador está ajustada para uma temperatura muito baixa. Ajuste a temperatura do congelador para um grau mais quente e verifique.
A temperatura do refrigerador está muito baixa, enquanto que a temperatura do congelador é suficiente.
<ul style="list-style-type: none"> • A temperatura do refrigerador está ajustada para uma temperatura muito baixa. Ajuste a temperatura do refrigerador para um grau mais quente e verifique.
Os alimentos guardados nas gavetas do compartimento do refrigerador estão congelados.
<ul style="list-style-type: none"> • A temperatura do refrigerador está ajustada para uma temperatura muito baixa. Ajuste a temperatura do refrigerador para um grau mais quente e verifique.
A temperatura no refrigerador ou no congelador é muito alta.

- A temperatura do refrigerador está ajustada para um grau muito alto. O ajuste do refrigerador tem efeito na temperatura do congelador. Altere a temperatura do refrigerador ou do congelador até que a temperatura do refrigerador ou do congelador atinja um nível suficiente.
- A porta pode ter sido deixada entreaberta. Feche totalmente a porta.
- Podem ter sido colocadas recentemente grandes quantidades de alimentos quentes no frigorífico. Aguarde até que o refrigerador ou o congelador atinja a temperatura desejada.
- O frigorífico pode ter sido ligado à tomada há pouco tempo. O arrefecimento total do frigorífico demora um certo tempo devido ao seu tamanho.

Surge do frigorífico um ruído semelhante ao som dos segundos ouvido a partir de um relógio analógico.

- Este ruído é oriundo da válvula selenóide do frigorífico. A válvula selenóide funciona com a finalidade de assegurar a passagem do spray de arrefecimento através do compartimento que pode ser ajustado para temperaturas de arrefecimento ou de congelação e executa funções de arrefecimento. Esta situação é normal e não é causa de problema.

O ruído de funcionamento aumenta quando o frigorífico está a funcionar.

- As características do desempenho de funcionamento do frigorífico podem variar conforme as alterações na temperatura ambiente. Esta situação é normal e não é um problema.

Vibrações ou ruído.

- O piso não está nivelado ou não é resistente. O frigorífico balança quando deslocado lentamente. Certifique-se de que o piso está nivelado, é resistente e capaz de suportar o frigorífico.
- O ruído pode ser causado pelos itens colocados sobre o frigorífico. Tais itens devem ser retirados de cima do frigorífico.

Há ruídos como líquidos a verter ou gotejar.

- Os fluxos de gás e líquidos acontecem conforme os princípios de funcionamento do seu frigorífico. Esta situação é normal e não é um problema.

Há um ruído parecido com o vento a soprar.

- Os activadores de ar (ventoinhas) são usados para permitir que o frigorífico arrefeça eficientemente. Esta situação é normal e não é um problema.

Condensação nas paredes internas do frigorífico.

- O tempo quente e húmido aumenta a formação de gelo e de condensação. Esta situação é normal e não é um problema.
- As portas estão entreabertas. Certifique-se que as portas estejam completamente fechadas.
- As portas podem estar a ser abertas com muita frequência ou estão a ser deixadas abertas por muito tempo. Abra a porta com menos frequência.

Há ocorrência de humidade no exterior do frigorífico ou entre as portas.

- O tempo pode estar húmido. Isto é bastante normal num tempo húmido. Quando a humidade for menor, a condensação irá desaparecer.

Maus odores dentro do frigorífico.

- O interior do frigorífico deve ser limpo. Limpe o interior do frigorífico com uma esponja, água quente ou água com gás.
- Alguns recipientes ou materiais de embalagem podem exalar cheiros. Utilize um recipiente diferente ou um material de embalagem de marca diferente.

A(s) porta(s) não está(ão) fechada(s).

- Os pacotes de alimentos podem impedir o fecho da porta. Coloque de outra forma as embalagens que estão a obstruir a porta.
- O frigorífico pode não estar completamente na vertical no piso e poderá balançar quando ligeiramente movido. Ajuste os parafusos de elevação.
- O piso não é sólido ou não está nivelado. Certifique-se de que o piso está nivelado e capaz de suportar o frigorífico.

As gavetas para frutos e legumes estão bloqueadas.

- Os alimentos podem estar a tocar o tecto da gaveta. Arrume novamente os alimentos na gaveta.

Gelieve eerst deze gebruiksaanwijzing te lezen!

Beste klant,

We hopen dat uw product, dat in een moderne fabriek werd geproduceerd en onder de meest nauwkeurige procedures voor kwaliteitscontrole werd gecontroleerd, u doeltreffend van dienst zal zijn.




Wij bevelen daarom aan dat u eerst zorgvuldig de volledige gebruiksaanwijzing van uw product leest voordat u het product gaat gebruiken. Bewaar de handleiding voor toekomstige raadpleging.

Deze gebruiksaanwijzing

- Helpt u uw toestel snel en veilig te gebruiken.
 - Lees de gebruiksaanwijzing voordat u het product installeert en gebruikt.
 - Volg de instructies, in het bijzonder die met betrekking tot veiligheid.
 - Bewaar de gebruiksaanwijzing op een eenvoudig toegankelijke plaats aangezien u deze later nodig kunt hebben.
 - Daarnaast dient u ook de andere documenten die bij uw product worden geleverd te lezen.
- Let erop dat deze gebruiksaanwijzing ook voor andere modellen kan gelden.

Symbolen en hun beschrijvingen

Deze instructiehandleiding bevat de volgende symbolen:

-  Belangrijke informatie of nuttige gebruikstips.
-  Waarschuwing tegen gevaarlijke omstandigheden voor leven en eigendommen.
-  Waarschuwing tegen elektrische spanning.



Dit product bevat het symbool voor selectief sorteren van afval van elektrische uitrustingen en elektronica (WEEE).

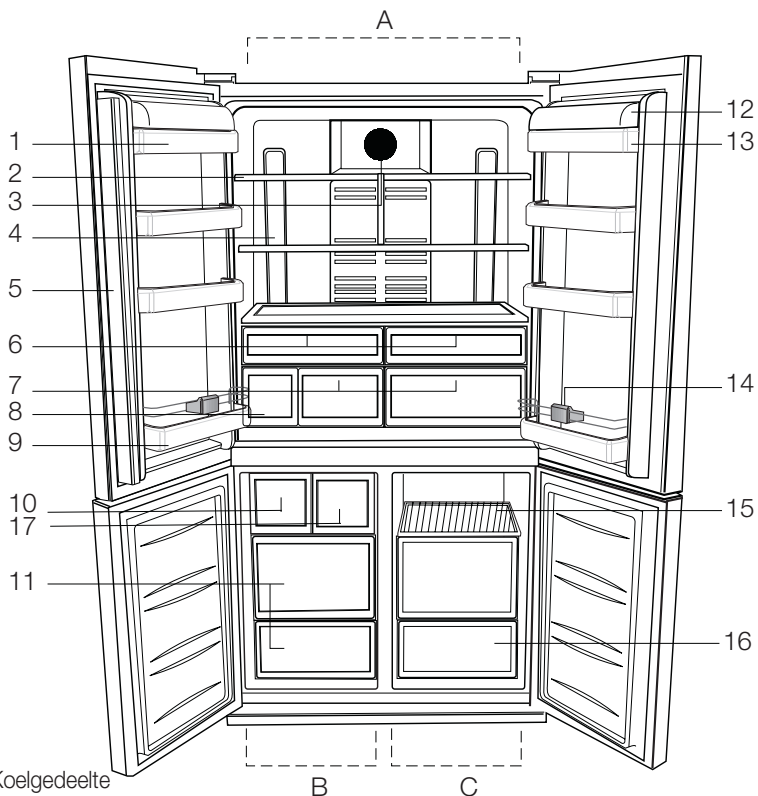
Dit betekent dat dit product moet worden gehanteerd overeenkomstig de Europese richtlijn 2002/96/EC ten einde te worden gerecycleerd of gedemonteerd om de impact op het milieu te minimaliseren. Voor meer informatie, neem a.u.b. contact op met uw plaatselijke of regionale overheid.

 Elektronische producten die niet selectief gesorteerd worden, zijn potentieel gevaarlijk voor het milieu en de gezondheid van de mens omwille van de aanwezigheid van gevaarlijke stoffen.

INHOUD

1 Uw koelkast	3	4 Gebruik van uw koelkast	12
2 Belangrijke Veiligheidswaarschuwingen	4	Display	12
Bedoeld gebruik	4	Boter- en kaasvak	16
Voor producten met een waterdispenser;	6	Glijdende schappen.....	17
Kinderbeveiliging	6	Eierrek	17
HCA-waarschuwing.....	6	Groentelade.....	17
Aanwijzingen ter besparing van energie	7	Koelergedeelte	17
Aanbevelingen voor het vak voor verse etenswaren.....	7	Draaiend Middengedeelte	18
3 Installatie	8	Flexi Zone-bewaarkast	18
Vorbereiding	8	Blauw licht.....	18
Aandachtspunten bij het opnieuw transporteren van uw koelkast	8	5 Onderhoud en reiniging	19
Alvorens de inwerkstelling van uw koelkast.....	9	Bescherming van de plastic oppervlakken	19
Elektrische aansluiting	9	6 Aanbevolen oplossingen voor problemen	20
Afvoeren van de verpakking.....	9		
Afvoeren van uw oude koelkast	9		
Plaatsing en installatie.....	10		
Vloerafstelling	10		
De afstand tussen de bovenste deur aanpassen.....	11		

1 Uw koelkast



- A- Koelgedeelte
- B- Diepvriesgedeelte
- C- Flexi Zone

- | | |
|---|------------------------------------|
| 1- Deurvakken koelgedeelte | 9- Flessenhouder |
| 2- Aanpasbare kastschappen van het koelgedeelte | 10- Icematic |
| 3- Lampkapje | 11- Vakken voor bevroren voedsel |
| 4- Lamp | 12- Deksel van boter- en kaasschap |
| 5- Draaiende middengedeelte | 13- Boter- en kaasschap |
| 6- Koelergedeelte | 14- Flessenhouder |
| 7- Groentelade | 15- Bewaarvakken |
| 8- Watertank | 16- Flexi Zone-vak |
| | 17- Lade van verse diepvriezer |

i De afbeeldingen in deze gebruiksaanwijzing zijn schematisch en hoeven niet exact met uw product overeen te komen. Wanneer onderdelen niet tot het product behoren dat u hebt gekocht, zijn deze geldig voor andere modellen.

2 Belangrijke Veiligheidswaarschuwingen

Gelieve de volgende informatie goed te bestuderen. Niet-inachtneming van deze informatie kan verwondingen of materiële schade veroorzaken. In dat geval worden alle garanties en betrouwbaarheidsengagementen ongeldig. De levensduur van de unit die u heeft aangekocht is 10 jaar. Dit is de periode dat u benodigde reserveonderdelen dient te bewaren om de unit te laten werken zoals beschreven.

Bedoeld gebruik

Dit product is bedoeld voor gebruik

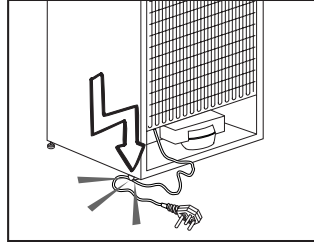
- binnen en in afgesloten ruimtes zoals huizen;
 - in afgesloten werkomgevingen zoals winkels en kantoren;
 - in afgesloten verblijfplaatsen zoals boerenhoeves, hotels, pensions.
- Dit toestel mag niet buitenshuis worden gebruikt.

Algemene veiligheid

- Wanneer u het product wenst af te voeren, raden wij u aan de bevoegde onderhoudsdienst te raadplegen om de benodigde informatie en bevoegde instanties te leren kennen.
 - Raadpleeg uw bevoegde onderhoudsdienst voor alle vragen en problemen met betrekking tot de koelkast. Voer geen ingrepen aan de koelkast uit en laat dit ook niet door iemand anders doen zonder de bevoegde onderhoudsdienst op de hoogte te stellen.
 - Voor producten met een diepvriesvak; Eet geen ijs of ijsblokjes meteen nadat u deze uit het diepvriesvak heeft gehaald. (Dit kan bevriezing in uw mond veroorzaken.)
 - Voor producten met een diepvriesvak; Plaats geen flessen of blikjes met vloeibare dranken in het diepvriesvak. Deze zouden kunnen barsten.
- Raak ingevroren levensmiddelen niet met de hand aan; deze kunnen aan uw hand vastplakken.
 - Trek de stekker van uw koelkast uit het stopcontact voordat u deze schoonmaakt of ontdooit.
 - Bij het schoonmaken en ontdooien van de koelkast mogen geen stoom en stoomreinigers gebruikt worden. De stoom kan in contact komen met de elektrische onderdelen en kortsluiting of een elektrische schok veroorzaken.
 - Gebruik geen onderdelen van uw koelkast zoals de deur als steun of opstapje.
 - Gebruik geen elektrische apparaten binnen in de koelkast.
 - Beschadig de onderdelen, waar de koelvloeistof circuleert, niet door boor- of snijdgereedschap. De koelvloeistof kan naar buiten geblazen worden wanneer de gasleidingen van de verdamper, leidingverlengingen of oppervlaktecoatings worden doorboord en dit kan huidirritatie en oogletsel veroorzaken.
 - Dek of blokkeer de ventilatieopeningen van uw koelkast met geen enkel materiaal.
 - Elektrische toestellen mogen enkel door bevoegde personen worden hersteld. Reparaties die door onbevoegde personen worden uitgevoerd kunnen een risico voor de gebruiker opleveren.
 - In geval van storing of tijdens onderhoud- of reparatiewerkzaamheden, sluit de stroomtoevoer van de koelkast af door de zekering uit te schroeven of de stekker van het apparaat uit te trekken.
 - Bij het uittrekken van de stekker deze niet aan de kabel uittrekken.
 - Plaats alcoholische dranken goed afgesloten en verticaal.
 - Bewaar nooit spuitbussen met een ontvlambare of explosieve inhoud in de koelkast.

- Gebruik geen andere mechanische gereedschappen of andere middelen om het ontdooiproces te versnellen dan deze aangeraden door de fabrikant.
- Dit product is niet bestemd voor gebruik door personen met een fysieke, zintuiglijke of mentale stoornis of ongeschoolde of onervaren mensen (inclusief kinderen) tenzij deze worden bijgestaan door een persoon die verantwoordelijk is voor hun veiligheid of die hen dienovereenkomstig instructies geeft bij het gebruik van het product
- Gebruik geen beschadigde koelkast. Neem contact op met de dealer als u vragen heeft.
- Elektrische veiligheid van uw koelkast wordt alleen gegarandeerd wanneer het aardingssysteem in uw huis aan de normen voldoet.
- Blootstelling van het product aan regen, sneeuw, zon en wind is gevaarlijk met betrekking tot de elektrische veiligheid.
- Neem contact op met een bevoegde dienst wanneer de stroomkabel beschadigd is om zo gevaar te voorkomen.
- Steek tijdens installatie nooit de stekker van de koelkast in de wandcontactdoos. Er bestaat een kans op overlijden of serieus letsel.
- Deze koelkast is enkel bestemd voor het bewaren van voedsel. Hij mag niet voor andere doeleinden worden gebruikt.
- Het label met technische specificaties bevindt zich aan de linkerwand binnenin de koelkast.
- Sluit je koelkast nooit aan op energiebesparende systemen; deze kunnen de koelkast beschadigen.
- Als er een blauw licht op de koelkast schijnt, kijk er dan niet naar met optische gereedschappen.
- Wacht bij handmatig bediende koelkasten minstens 5 minuten met het aanzetten van de koelkast na stroomuitval.

- Deze gebruikershandleiding moet aan de nieuwe eigenaar van het toestel gegeven worden wanneer het toestel doorgegeven wordt.
- Vermijd schade aan de stroomkabel bij transport van de koelkasten. De kabel plooiën kan vuur veroorzaken. Plaats geen zware voorwerpen op de stroomkabel. Raak de stekker niet aan met natte handen wanneer deze in het stopcontact wordt geplaatst.



- Plaats de stekker van de koelkast niet in het stopcontact als dit stopcontact los is.
- Er mag geen water rechtstreeks op de binnen- of buitendelen van het toestel gesproeid worden omwille van veiligheidsredenen.
- Sproei geen stoffen met ontvlambare gassen zoals propaangas dichtbij de koelkast om gevaar op vuur en ontploffing te voorkomen.
- Plaats geen containers gevuld met water op de koelkast, dit kan elektrische schokken of vuur veroorzaken.
- Overlaad je koelkast niet met overdadige hoeveelheden voedsel. Indien de koelkast overladen is, kan voedsel naar beneden vallen bij het openen en u kwetsen of de koelkast beschadigen. Plaats geen objecten op de koelkast; deze kunnen naar beneden vallen wanneer u de deur open of dicht doet.
- Producten die een nauwkeurige temperatuurregeling nodig hebben (vaccins, hittegevoelige medicatie, wetenschappelijke materialen, enz.) mogen niet in koelkast bewaard worden.

- De koelkast moet worden losgekoppeld indien deze langdurig niet wordt gebruikt. Een mogelijk probleem met de stroomkabel kan vuur veroorzaken.
- Het uiteinde van de stekker moet regelmatig worden gereinigd, anders kan dit vuur veroorzaken.
- Het uiteinde van de stekker moet regelmatig worden gereinigd met een droge doek, anders kan deze brand veroorzaken.
- De koelkast kan bewegen als de stelvoetjes niet juist op de vloer worden vastgezet. De stelvoetjes juist vastzetten op de vloer kan voorkomen dat de koelkast beweegt.
- Hef de koelkast niet aan het handvat bij verplaatsing. Anders breekt het.
- Als u het product naast een andere koelkast of diepvriezer plaatst, moet de afstand hertussen minstens 8 cm zijn. Anders kunnen aaneensluitende zijwanden nat worden.

Voor producten met een waterdispenser;

De waterleidingdruk dient minstens 1 bar te bedragen. De waterleidingdruk mag maximaal 8 bar te bedragen.

- Gebruik alleen drinkwater.

Kinderbeveiliging

- Indien de deur een slot heeft, moet de sleutel buiten het bereik van kinderen worden gehouden.
- Kinderen moeten onder toezicht staan om te voorkomen dat ze met het product knoeien.

HCA-waarschuwing

Als het koelsysteem van uw product R600a bevat:

Dit gas is ontvlambaar. Zorg daarom tijdens gebruik en transport dat het koelsysteem en de leidingen niet beschadigd raken. In het geval van schade: houd uw product weg van mogelijke ontstekingsbronnen die kunnen veroorzaken dat het product vuur vat en ventileer de ruimte waarin de unit is geplaatst.

Negeer deze waarschuwing als het koelsysteem van uw product R134a bevat.

Het type gas dat in dit product wordt gebruikt staat vermeld op de typeplaat aan de linkerwand binnenin de koelkast.

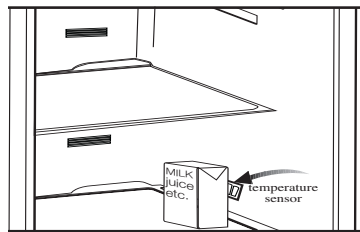
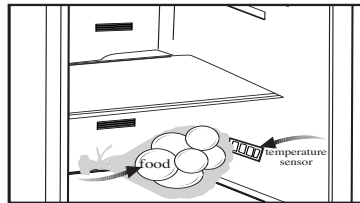
Gooi het product nooit in vuur voor verwijdering.

Aanwijzingen ter besparing van energie

- Houd de deuren van uw koelkast niet lang open.
- Plaats geen warme levensmiddelen of dranken in de koelkast.
- Overlaad de koelkast niet zodat luchtcirculatie aan de binnenzijde niet geblokkeerd wordt.
- Plaats de koelkast niet in direct zonlicht of naast warmteafgevend apparaten zoals een oven, vaatwasser of radiator.
- Bewaar uw levensmiddelen in gesloten bakjes.
- Voor producten met een diepvriesvak; U kunt een maximale hoeveelheid voedsel in de diepvries bewaren wanneer u de schappen of lade uit de diepvries verwijdert. De waarde voor energieconsumptie van uw diepvries werd vastgesteld door verwijdering van de diepvries schappen of laden en onder de maximum hoeveelheid. Er bestaat geen risico bij het gebruik van een schap of lade volgens de vorm en grootte van het in te vriezen voedsel.
- Het ontdooien van ingevroren voedsel in het koelkastgedeelte voorziet in energiebesparing en behoud van de voedselkwaliteit.

Aanbevelingen voor het vak voor verse etenswaren OPTIONEEL

- Zorg ervoor dat de temperatuursensor in het vak voor verse etenswaren niet in contact komt met etenswaren. Om het vak op de ideale bewaar temperatuur te behouden mag de sensor niet bedekt zijn met etenswaren.
- Plaats geen warme etenswaren in uw apparaat.



3 Installatie

 De fabrikant kan niet aansprakelijk worden gesteld indien de informatie van deze gebruiksaanwijzing niet in acht wordt genomen.

Voorbereiding

- Uw koelkast moet worden geïnstalleerd op minstens 30 cm afstand van warmtebronnen zoals kookplaten, centrale verwarming en kachels en op minstens 5 cm afstand van elektrische ovens. De koelkast mag niet in direct zonlicht worden geplaatst.
- De omgevingstemperatuur van de kamer waarin u de koelkast installeert dient minstens 10°C te zijn. In verband met efficiëntie wordt gebruik van uw koelkast in koudere omstandigheden niet aanbevolen.
- Controleer of de binnenzijde van uw koelkast volledig schoon is.
- Bij installatie van twee koelkasten naast elkaar, moeten de koelkasten op een afstand van minstens 2 cm van elkaar worden geplaatst.
- Wanneer u de koelkast voor de eerste keer in gebruik neemt, gelieve tijdens de eerste zes uur de volgende instructies in acht te houden.
 - De deur niet regelmatig openen.
 - Koelkast moet in bedrijf gesteld worden zonder levensmiddelen.
 - De stekker van de koelkast niet uittrekken. Indien zich een stroomstoring voordoet buiten uw macht, zie de waarschuwingen in het deel "Aanbevolen oplossingen voor problemen".
- Originele verpakking en schuimmaterialen moeten worden bewaard voor toekomstig transport of verhuizen.

Aandachtspunten bij het opnieuw transporteren van uw koelkast

1. Voor transport dient de koelkast leeg en schoon te zijn.
2. In verband met schokken moeten de schappen, accessoires, groentelade enz. in uw koelkast met plakband vastgezet worden voordat de koelkast opnieuw wordt verpakt.
3. Verpakking moet worden vastgebonden met dikke tape en sterke touwen en de transportregels, gedrukt op de verpakking, moeten opgevolgd worden.

Vergeet niet...

Ieder gerecycled materiaal is een essentiële bron voor de natuur en onze nationale bronnen.

Indien u een bijdrage wilt leveren aan recycling van verpakkingsmateriaal, kunt u meer informatie krijgen bij de milieuinstanties of plaatselijke autoriteiten.

De klimaatklasse van uw apparaat wordt vermeld op het typeplaatje dat zich binnen in het apparaat bevindt. Deze specificeert de juiste werkingsumgevingstemperatuur zoals hieronder uitgelegd.

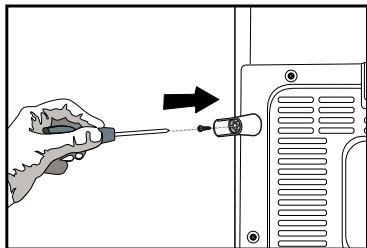
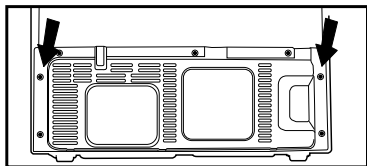
Klimaatklasse Omgevingstemperatuur

SN	+10 °C tot 32 °C
N	+16 °C tot 32 °C
ST	+18 °C tot 38 °C
T	+18 °C tot 43 °C
SN-ST	+10 °C tot 38 °C
SN-T	+10 °C tot 43 °C

Alvorens de inwerkstelling van uw koelkast

Alvorens u uw koelkast gaat gebruiken, controleer of:

1. De binnenzijde van de koelkast schoon is en de luchtcirculatie aan de achterzijde vrij kan plaatsvinden?
2. De 2 kunststof wiggen op de achterkant van de ventilatie plaatsen zoals in de volgende afbeelding weergegeven. Schroef de bestaande los en gebruik de schroeven, geleverd in dezelfde zak wiggen. Kunststof wiggen zullen de vereiste afstand geven tussen uw koelkast en de muur om luchtcirculatie mogelijk te maken.



3. Maak de binnenkant van de koelkast proper, zoals aanbevolen in het hoofdstuk "Onderhoud en reiniging".
4. Steek de stekker van de koelkast in het stopcontact. Wanneer de deur wordt geopend, zal het binnenlichtje aangaan.
5. U zult een geluid horen wanneer de compressor opstart. De vloeistof en de gassen die zich in het koelsysteem bevinden, zouden ook wat lawaai kunnen veroorzaken zelfs wanneer de compressor niet werkt. Dit is normaal.
6. De buitenkant van de koelkast kunnen warm aanvoelen. Dit is normaal. Deze oppervlakken zijn bedoeld om warm te worden om condensvorming te voorkomen.

Elektrische aansluiting

Sluit uw koelkast aan in een geaard stopcontact, beschermd door een zekering, met de juiste capaciteit.

Belangrijk:

- De aansluiting moet in naleving zijn met nationale voorschriften.
 - De stekker van de stroomkabel moet na installatie eenvoudig bereikbaar zijn.
 - De spanning en de toegestane zekeringsbescherming zijn gespecificeerd in het deel "Technische specificaties".
 - De gespecificeerde spanning moet gelijk zijn aan uw netspanning.
 - Verlengkabels en meerwegstekkers mogen voor aansluiting niet worden gebruikt.
- ⚠ Een beschadigde stroomkabel moet door een gekwalificeerd elektricien worden vervangen.
- ⚠ Het toestel mag niet in werking worden gesteld voordat het is hersteld! Gevaar op een elektrische schok!

Afvoeren van de verpakking

De verpakkingsmaterialen kunnen gevaarlijk zijn voor kinderen. Houd het verpakkingsmateriaal buiten bereik van kinderen of voer deze af conform afvalinstructies. Gooi het materiaal niet weg bij het normale huishoudelijk afval.

De verpakking van uw koelkast is vervaardigd uit herbruikbare materialen.

Afvoeren van uw oude koelkast

Voer uw oude machine af zonder het milieu op enige wijze te schaden.

- U kunt uw bevoegde dealer of het afvalcentrum van uw gemeente raadplegen over het afvoeren van uw koelkast.

Voordat u uw koelkast afvoert, snijd de elektrische stekker af. Indien het apparaat is uitgevoerd met deursluitingen, dit slot dan onbruikbaar maken om kinderen tegen gevaar te beschermen.

Plaatsing en installatie

Voorzichtig: Steek tijdens installatie nooit de stekker van de koelkast in de wandcontactdoos. Er bestaat een kans op overlijden of serieus letsel.

Als de toegangsdeur van de kamer waarin de koelkast wordt geïnstalleerd niet breed genoeg is voor de koelkast om erdoor te passen, bel dan de bevoegde dienst zodat deze de deuren van uw koelkast kan verwijderen en de koelkast zijdelings door de deur kan.

1. Installeer uw koelkast op een plaats waar ze gemakkelijk kan worden gebruikt.
2. Houd uw koelkast uit de buurt van warmtebronnen, vochtige plaatsen en direct zonlicht.
3. Er moet geschikte luchtventilatie rond uw koelkast zijn om een efficiënte werking te verkrijgen.

Als de koelkast in een uitsparing in de muur wordt geplaatst, moet er minstens 5 cm afstand zijn ten opzichte van het plafond en minstens 5 cm ten opzichte van de muur.

Als de vloer met een tapijt bedekt is, moet uw product op 2,5 cm van de vloer staan.

4. Plaats uw koelkast op een vlak vloeroppervlak om schokken te vermijden.
5. Plaats uw koelkast niet in omgevingstemperaturen onder 10 °C.

Vloerafstelling

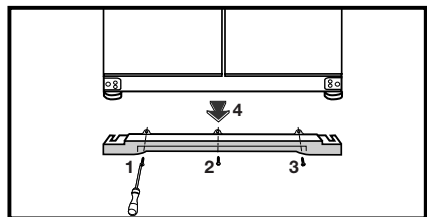
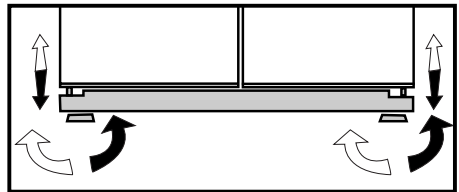
Wanneer uw koelkast niet waterpas staat;

U kan de ventilatiekap verwijderen door de schroeven los te maken zoals wordt aangetoond in de afbeelding voor de procedure. U kunt uw koelkast waterpas stellen door aan de stelvoetjes te draaien

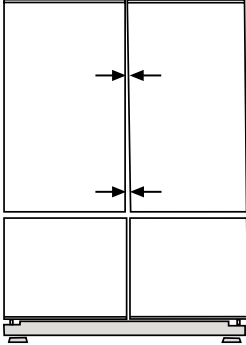
zoals getoond in de afbeelding. De hoek van het stelvoetje wordt verlaagd wanneer u in de richting van de zwarte pijl draait en verhoogd wanneer u in de tegenovergestelde richting draait. Wanneer iemand u hierbij helpt door de koelkast lichtjes op te tillen vereenvoudigt dit het proces.

2. Nadat het balansprobleem is verholpen, installeert u de ventilatiekap terug en maakt u de schroeven vast.

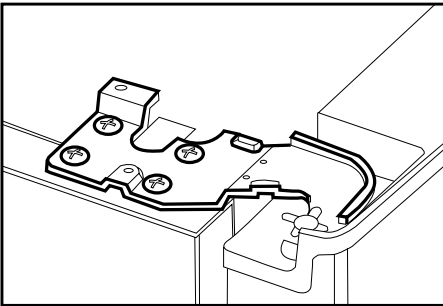
3. Verwijder de schroeven van de onderste ventilatiekap met een schroevendraaier van Philips.



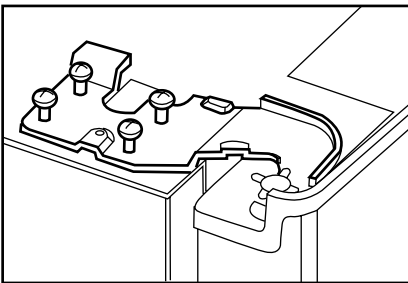
De afstand tussen de bovenste deur aanpassen



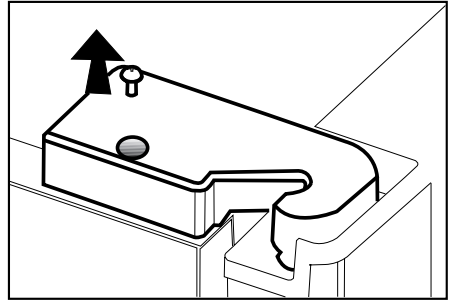
- U kunt de afstand tussen de deuren van het koelgedeelte aanpassen zoals weergegeven in de afbeeldingen.



- Pas de deur desgewenst correct aan door de schroeven los te draaien.

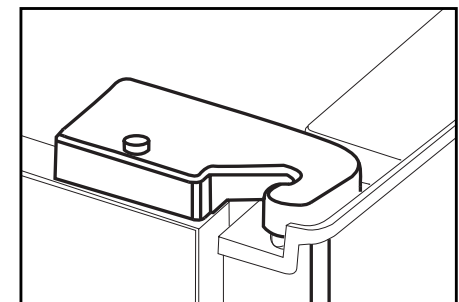
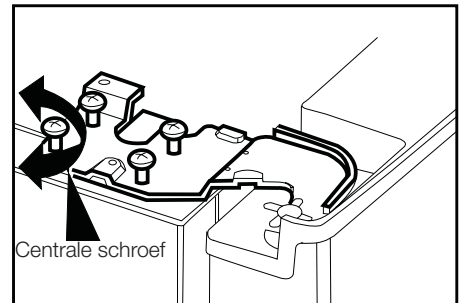


- Maak de deur die u hebt aangepast vast door de schroeven aan te draaien zonder de positie van de deur te wijzigen.



De deurschappen moeten leeg zijn als u de deurhoogte aanpast.

- Verwijder met een schroevendraaier de schroef van het bovenste scharnierdeksel van de deur die u wilt aanpassen.



- Plaats het scharnierdeksel terug en maak het vast met de schroef.

1. Eco Extra/Vakantieknop

Druk deze knop even in om de Eco Extra-functie te activeren. Houd deze knop 3 seconden in om de Vakantiefunctie te activeren. Duw deze knop opnieuw in om de gekozen functie te deactiveren.

2. Fast Freeze-knop

Druk deze knop even in om de Fast Freeze-functie te activeren. Duw deze knop opnieuw in om de gekozen functie te deactiveren.

3. Temperatuurregelaar diepvriesgedeelte

Druk deze knop in om de temperatuur van het diepvriesgedeelte in te stellen op respectievelijk -18, -20, -22, -24, -18. Druk deze knop in om de gewenste temperatuur voor het diepvriesgedeelte in te stellen.

4. Temperatuurregelaar koelgedeelte

Druk deze knop in om de temperatuur van het koelkastgedeelte in te stellen op respectievelijk 8, 6, 4, 2, 8. Druk deze knop in om de gewenste temperatuur voor het diepvriesgedeelte in te stellen.

5. Quick Cool-knop (snel koelen)

Druk deze knop even in om de Eco Extra-functie te activeren. Duw deze knop opnieuw in om de gekozen functie te deactiveren.

6. Temperatuurregelaar Flexi Zone bewaarvak

U kan het Flexi Zone-bewaarvak zowel als diepvriezer of koeler instellen. Houd de knop 3 seconden in om het Flexi Zone-bewaarvak als diepvriezer of koeler in te stellen. Dit gedeelte is door de fabrikant ingesteld als diepvriesgedeelte.

Als het Flexi Zone-bewaarvak als diepvriezer is ingesteld, dan zal de temperatuur van het Flexi Zone-bewaarvak veranderen in respectievelijk -18, -20, -22, -24, -18..., elke keer als u op de knop drukt. Als het Flexi Zone-bewaarvak als koeler is ingesteld, dan zal de temperatuur van het Flexi Zone-bewaarvak veranderen in respectievelijk -6, 0, 2, 4, 6, 8, 10... elke keer als u op de knop drukt.

7. Indicator Vakantiefunctie

Geeft aan dat de vakantiefunctie actief is. Als deze functie actief is, verschijnt “-” op de indicator van het koelgedeelte en zal dit gedeelte niet koelen. Andere gedeeltes zullen worden gekoeld volgens de ingestelde temperaturen.

Duw de betreffende knop opnieuw in om de gekozen functie te deactiveren.

8. Indicator Eco Extra-functie

Geeft aan dat de Eco Extra-functie actief is. Als deze functie actief is, zal uw koelkast automatisch energie-efficiënt koelen tijdens periodes waarin de koelkast het minst verbruikt. De Economy-indicator zal actief zijn als de koelkast energie-efficiënt koelt.

Duw de betreffende knop opnieuw in om de gekozen functie te deactiveren.

9. Indicator Quick Freeze-functie

Geeft aan dat de Quick Freezer-functie actief is. Gebruik deze functie als u vers voedsel in het diepvriesgedeelte plaatst of als u ijs nodig heeft. Als deze functie actief is, zal uw koelkast voor 6 uur werken zonder te stoppen.

Duw de betreffende knop opnieuw in om de gekozen functie te deactiveren.

10. Indicator Temperatuur Diepvriesgedeelte

Geeft de ingestelde temperatuur voor het diepvriesgedeelte aan.

11. Indicator Temperatuur koelgedeelte

Geeft de ingestelde temperatuur voor het koelgedeelte aan.

12. Indicator Quick Cool-functie

Geeft aan dat de Quick Cool-functie actief is. Gebruik deze functie als u vers voedsel in het koelgedeelte plaatst of als u uw voedsel snel wilt koelen. Als deze functie actief is, zal uw koelkast voor 2 uur werken zonder te stoppen.

Duw de betreffende knop opnieuw in om de gekozen functie te deactiveren.

13. Temperatuurindicator Flexi Zone-bewaarvak

Geeft de temperatuur van het Flexi Zone-bewaarvak aan.

14. Indicator Besparingsmodus

Geeft aan dat de koelkast werkt in de energie-efficiënte modus. Temperatuur van diepvriesgedeelte

Deze indicator zal actief zijn als de functie is ingesteld op -18 of als de koelkast energie-efficiënt koelt d.m.v. de Eco Extra-functie.

15. Indicator Errorstatus

Als uw koelkast niet goed koelt of als er een storing aan de sensor is, zal deze indicator worden geactiveerd. Als deze indicator actief is, zal de temperatuurindicator van het diepvriesgedeelte "E" weergeven en de temperatuurindicator van het koelgedeelte zal nummers zoals "1,2,3..." weergeven. Aan de hand van deze nummers op de indicator kan het dienstpersoneel afleiden wat de fout is.

16. Indicator Toetsvergrendeling

Gebruik deze functie als u niet wilt dat de temperatuurregeling van uw koelkast verandert. Houd de Quick Cool-knop en de temperatuurregelaar van het Flexi Zone-bewaarvak tegelijkertijd 3 seconden in om deze functie te activeren.

Duw de betreffende knop opnieuw in om deze functie te deactiveren.

17. Ice Cancel-knop

Om ijsvorming te stoppen, moet u de Ice Cancel-knop 3 seconden inhouden. Als Ice Cancel wordt gekozen, wordt er geen water naar de ijsbak verzonden. Ondanks dit kan er nog wat ijs in de ijsbak zijn overgebleven, dat van daar kan zijn genomen. Om ijsvorming te herstarten, moet u de Ice Cancel-knop 3 seconden inhouden.

18. Ice Cancel - indicator

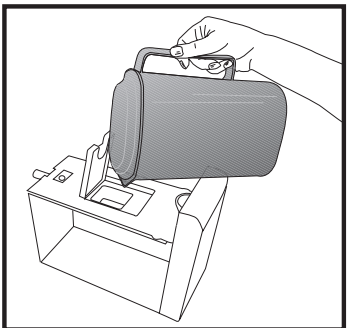
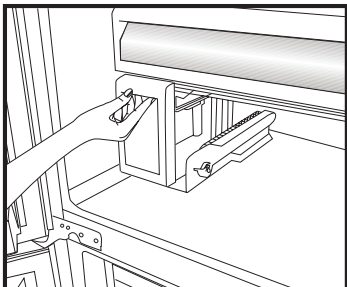
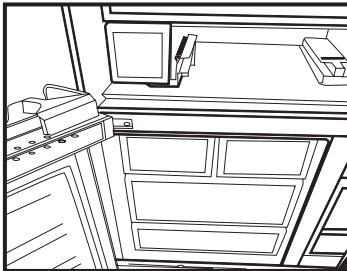
Als u geen ijs wilt van de koelkast wilt verkrijgen, moet u deze functie gebruiken. U kan deze functie gebruiken door de Ice Cancel-knop 3 seconden in te houden.

19. Deur Open Alarm

Als zowel de deur van het koelgedeelte als de deur van het **Flexi Zone-bewaark** open blijft voor minstens 1 minuut, zal het Deur Open Alarm worden geactiveerd. Druk op een knop naar keuze op de indicator of sluit de deur om het alarm uit te schakelen.

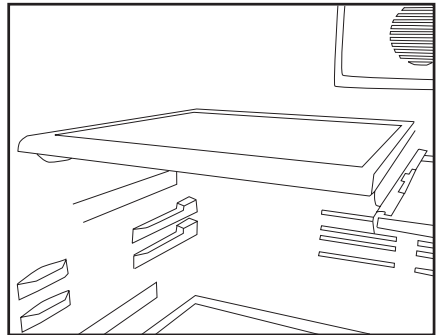
Auto Icematic

Door het Auto Icematic-systeem kan u makkelijk ijs van uw koelkast verkrijgen. Verwijder de watertank in het koelkastgedeelte, vul het met water en installeer het terug om ijs van de icematic te verkrijgen. De eerste hoeveelheid ijs zal binnen de 2 uren klaar zijn in de ijslade in het diepvriesgedeelte. Als de watertank volledig is gevuld, kan u 70 ijsblokjes verkrijgen. Vervang het water in de watertank als het langer als 2-3 weken in de watertank zit.



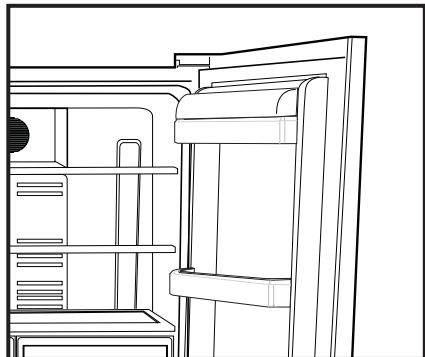
Glijdende schappen met hangers aan de achterkant

Glijdende schappen met hangers aan de achterkant kunnen naar achter en naar voor worden bewogen. Hun hoogte kan ook worden aangepast door ze te verwijderen en in een lagere of hogere positie te installeren. Til de schap lichtjes op en trek deze naar u toe om deze te verwijderen.



Boter- en kaasvak

Voedsel zoals boter, kaas en margarine worden opgeslagen in dit gedeelte dat een deksel heeft.



Eierrek

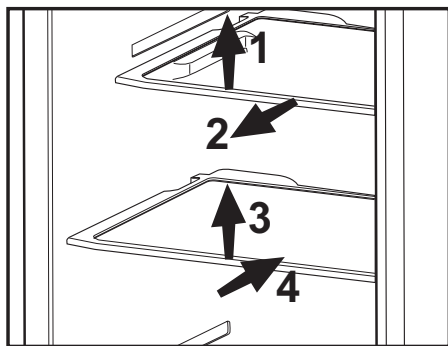
- U kunt het eierrek op het gewenste deurschap of binnenschap plaatsn.
- Plaats het eierrek nooit in het diepvriesgedeelte.

Glijdende schappen

- De glijdende schappen kunnen uitgetrokken worden door deze lichtjes aan de voorzijde naar boven te tillen en naar achter en voor te bewegen. De schappen stoppen op een bepaald punt wanneer deze naar voor worden getrokken. Zo kunt u etenswaren achterin het schap eenvoudig pakken. Wanneer het schap vervolgens lichtjes naar boven wordt getild tot het tweede stoppunt, kan het schap worden losgekoppeld.

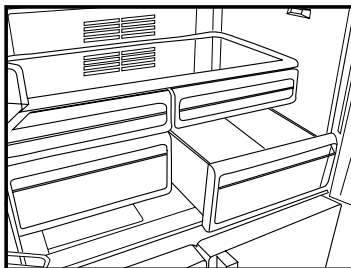
Het schap moet aan de onderkant stevig worden vastgehouden om te voorkomen dat het omkantelt. U plaatst het schap op de rails aan de binnenkant van de koelkast en plaatst het een niveau lager of hoger.

Om goed te passen, moet het schap helemaal naar achter worden gedrukt.



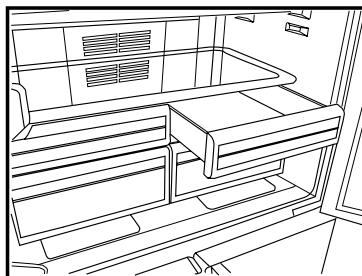
Groentelade

De groentelade van uw koelkast is speciaal bedoeld om uw groenten vers te houden, zonder dat deze vocht verliezen. Daarom is er een koude luchtcirculatie rond de groentelade in het algemeen.



Koelergedeelte

Koelergedeeltes zorgt dat voedsel klaar is voor het invriezen. U kan deze gedeeltes ook gebruiken om uw voedsel bij een temperatuur op te slaan die enkele graden kouder is dan die van het koelkastgedeelte. U kan het binnenvolume van uw koelkast vergroten door een van de bewaarvakken voor snacks te verwijderen. Om dit te doen trekt u het bewaarvak naar u toe, het bewaarvak zal tegen de stopper leunen en stoppen. Dit bewaarvak zal loskomen als u het ongeveer 1 cm omhoog tilt en het naar u toe trekt.

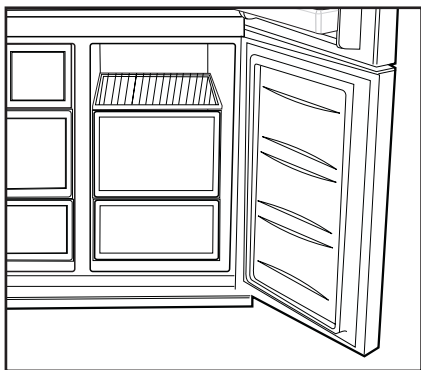


Draaiend Middengedeelte

Het draaiend middengedeelte zorgt ervoor dat de koude lucht in uw koelkast blijft. Het draaiend middengedeelte helpt bij het sluiten omdat de pakkingen op de deur op het oppervlak van het draaiend middengedeelte duwen als de deuren van het koelgedeelte zijn gesloten. Een andere reden dat uw koelkast met een draaiend middengedeelte is uitgerust, is dat deze het nettovolume van het koelgedeelte verhoogt. Standaard middengedeeltes nemen wat onbruikbare volume in de koelkast in.

Flexi Zone-bewaarvak

Het Flexi Zone-bewaarvak van uw koelkast kan in de gewenste stand gebruikt worden door de temperaturen in te stellen op koelkasttemperaturen (2/4/6/8 °C) of diepvriestemperaturen (-18/-20/-22/-24). U kunt de gewenste temperatuur in het bewaarvak behouden met de "Flexi Zone-temperatuurregelaar". De temperatuur van het Flexizone-bewaarvak kan ingesteld

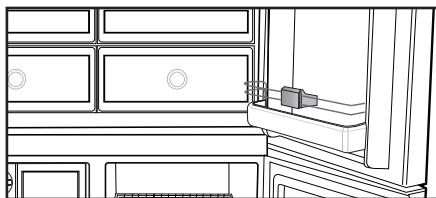


worden op 0 en 10 graden naast de temperaturen voor het koelgedeelte en op -6 graden naast de temperaturen van het diepvriesgedeelte. 0 graden wordt gebruikt om delicatessen langer te bewaren en -6 graden wordt gebruikt om vlees tot 2 weken in een makkelijk snijdbare staat te bewaren.

i De functie om te schakelen tussen koelkastvak of diepvriesvak wordt geleverd door een koelelement in het gesloten deel (Compressorvak) achter de koelkast. Tijdens de werking van dit element zijn geluiden hoorbaar die gelijken op het geluid van seconden die wegtikken in een analoge klok. Dit is normaal en geen defect.

Blauw licht

Voedingsmiddelen die worden bewaard in de groenteladen en met een blauw licht worden verlicht, blijven doorgaan met hun fotosynthese door middel van het golflengte-effect van het blauwe licht. Zo behouden zij hun versheid en neemt hun vitaminegehalte toe.



5 Onderhoud en reiniging

- ⚠ Gebruik nooit benzine, benzeen of gelijksoortige substanties voor het reinigingswerk.
- ⚠ Wij bevelen aan dat u de stekker uit het toestel trekt voordat u met reinigen begint.
- ⓘ Gebruik nooit scherpe voorwerpen, zeep, huishoudproducten, afwasmiddel of boenwas om te poetsen.
- ⓘ Gebruik lauwwarm water om de kast van uw koelkast schoon te maken en wrijf deze droog.
- ⓘ Gebruik een vochtige doek, uitgewrongen in een oplossing van één koffielepel natriumbicarbonaat voor 50 cl water, om de binnenkant schoon te maken en wrijf vervolgens droog.
- ⚠ Zorg ervoor dat er geen water in de lamp en andere elektrische onderdelen binnensijpelt.
- ⚠ Als uw koelkast voor een lange periode niet zal worden gebruikt, trek dan de stroomkabel uit, verwijder al de etenswaren, maak de koelkast schoon en laat de deur op een kier staan.
- ⓘ Kijk de deurgrendels regelmatig na om u ervan te vergewissen dat ze proper en vrij van etensresten zijn.
- ⓘ Om deurroosters te verwijderen, verwijder de inhoud en druk het deurrooster vervolgens eenvoudigweg naar boven vanaf de basis.

Bescherming van de plastic oppervlakken

- ⓘ Plaats geen vloeibare olie of in olie bereide maaltijden in uw koelkast in onafgedichte bakjes. Deze kunnen de plastic oppervlakken van uw koelkast beschadigen. Mocht u olie morsen op de plastic oppervlakken, reinig dit deel van het oppervlak dan direct met warm water en spoel af.

6 Aanbevolen oplossingen voor problemen

Controleer de volgende punten voordat u de onderhoudsdienst belt. Dit kan u tijd en geld besparen. Deze lijst omvat regelmatige klachten die niet voortkomen uit defect vakmanschap of materiaalgebruik. Het is mogelijk dat bepaalde functies die hier beschreven staan niet tot uw apparaat behoren.

De koelkast werkt niet
<ul style="list-style-type: none">• Zit de stekker van de koelkast goed in de wandcontactdoos? Steek de stekker in het stopcontact.• Is de zekering van de contactdoos waaraan de koelkast is aangesloten of de hoofdzekering gesprongen? Controleer de zekering.
Condensvorming langs de wand van het koelkastgedeelte. (MULTI ZONE, COOL CONTROL en FLEXI ZONE)
<ul style="list-style-type: none">• Zeer koude omgevingsomstandigheden. Regelmatig openen en sluiten van de deur. Zeer vochtige omgevingsomstandigheden. Bewaren van levensmiddelen met vloeistof in open bakjes. De deur staat op een kier.• Zet de thermostaat kouder.• Zorg dat de deur minder lang open staat of dat deze minder vaak wordt geopend.• Dek de eetwaar die in open bakjes wordt bewaard af met een daarvoor geschikt materiaal.• Veeg condens af met een droge doek en controleer of condensvorming aanhoudt.
De compressor draait niet
<ul style="list-style-type: none">• Thermische bescherming van de compressor kan springen gedurende plotselinge stroomuitval of afsluiting van de stroomtoevoer wanneer de druk van het koelmiddel in het koelsysteem van de koelkast niet in balans is.• De koelkast gaat na ongeveer 6 minuten draaien. Neem contact op met de onderhoudsdienst wanneer de koelkast na deze periode niet start.• De koelkast zit in een ontdooicyclus. Dit is normaal voor een volledig automatisch ontdooiende koelkast. Ontdooicyclus vindt periodiek plaats.• De stekker van uw koelkast steekt niet in het stopcontact. Controleer of de stekker stevig in het stopcontact is gestoken.• Zijn de temperatuurinstellingen goed ingesteld? Er is een stroomstoring. Bel uw elektriciteitsleverancier.
De koelkast werkt frequent of gedurende lange tijd.

<ul style="list-style-type: none"> • Uw nieuwe koelkast kan breder zijn dan de vorige. Dit is normaal. Grote koelkasten werken gedurende langere tijd. • De omgevingstemperatuur kan hoog zijn. Dit is normaal. • De stekker van de koelkast kan onlangs ingestoken zijn of de koelkast kan zijn volgeladen met etenswaren. Het compleet afkoelen van de koelkast kan enkele uren langer in beslag nemen. • Grote hoeveelheden warme levensmiddelen kunnen recentelijk in de koelkast zijn geplaatst. Warme levensmiddelen maken dat de koelkast langer werkt tot deze eetwaar de veilige bewaartemperatuur heeft bereikt. • Deuren kunnen regelmatig geopend zijn of gedurende enige tijd op een kier hebben gestaan. De warme lucht die in de koelkast is binnengekomen maakt dat de koelkast langer werkt. Open de deuren minder vaak. • De deur van het diepvries- of koelgedeelte kan op een kier hebben gestaan. Controleer of de deuren goed gesloten zijn. • De koelkast is zeer koud ingesteld. Stel de koelkasttemperatuur hoger en wacht tot de temperatuur wordt bereikt. • Deurafdichting van de koelkast of diepvriezer kan vuil, versleten, gebroken of niet goed geplaatst zijn. Maak de afdichting schoon of vervang deze. Een beschadigde/gebroken afdichting maakt dat de koelkast langer moet werken om de huidige temperatuur te handhaven.
Diepvriestemperatuur is erg laag terwijl de koelkasttemperatuur voldoende is.
<ul style="list-style-type: none"> • De diepvriestemperatuur is zeer koud ingesteld. Stel de diepvriezertemperatuur hoger in en controleer.
Koelkasttemperatuur is erg laag terwijl de diepvries temperatuur voldoende is.
<ul style="list-style-type: none"> • De koelkasttemperatuur is zeer koud ingesteld. Stel de koelkasttemperatuur hoger in en controleer.
Etenswaren die in laden van het koelgedeelte worden bewaard, bevroren.
<ul style="list-style-type: none"> • De koelkasttemperatuur is zeer koud ingesteld. Stel de koelkasttemperatuur hoger in en controleer.
Temperatuur in de koelkast of diepvriezer is zeer hoog.
<ul style="list-style-type: none"> • De koelkasttemperatuur is zeer hoog ingesteld. Koelkastinstelling is van invloed op de temperatuur van de diepvriezer. Verander de temperatuur van de koelkast of diepvriezer totdat de temperatuur van de koelkast of diepvriezer het gewenste niveau bereikt. • De deur kan op een kier hebben gestaan. Sluit de deur volledig. • Grote hoeveelheden warme levensmiddelen kunnen recentelijk in de koelkast zijn geplaatst. Wacht tot de koelkast of diepvriezer de gewenste temperatuur heeft bereikt. • De koelkast kan recentelijk ingeschakeld zijn. Als gevolg van de afmeting, neemt het volledig afkoelen van de koelkast enige tijd in beslag.
De koelkast kan een geluid produceren dat overeenkomt met het geluid van seconden die wegtikken in een analoge klok.
<ul style="list-style-type: none"> • Dit geluid komt van het magneetventiel van de koelkast. Het magneetventiel zorgt voor de juiste doorvoer van koelmiddel door het compartiment dat kan worden aangepast op koel- of vriestemperaturen en de koelfuncties uitvoert. Dit is normaal en geen defect.
Het werkingsgeluid neemt toe wanneer de koelkast werkt.

<ul style="list-style-type: none"> De werkingskenmerken van de koelkast kunnen veranderen als gevolg van wijzigingen in de omgevingstemperatuur. Dit is normaal en geen defect.
Vibratie of geluid.
<ul style="list-style-type: none"> De vloer is niet gelijk of is zwak. De koelkast kantelt een beetje wanneer langzaam wordt bewogen. Zorg dat de vloer gelijk en stevig is en de koelkast kan dragen. Het geluid kan worden veroorzaakt door voorwerpen die op de koelkast zijn geplaatst. Dergelijke voorwerpen moeten van de bovenkant van de koelkast verwijderd worden.
Een geluid van morsende of sprayende vloeistof.
<ul style="list-style-type: none"> Vloeistof- en gasstromen vinden plaats conform de werkingsprincipes van uw koelkast. Dit is normaal en geen defect.
Een geluid van wind die blaast.
<ul style="list-style-type: none"> Er worden luchtactivators (ventilatoren) gebruikt om de koelkast efficiënt af te koelen. Dit is normaal en geen defect.
Condens op de binnenwanden van de koelkast.
<ul style="list-style-type: none"> Met warm en vochtig weer neemt ijs- en condensvorming toe. Dit is normaal en geen defect. De deuren staan op een kier. Controleer of de deuren volledig gesloten zijn. Deuren kunnen regelmatig geopend zijn of gedurende enige tijd open hebben gestaan. Open de deur minder vaak.
Vocht aan de buitenkant van de koelkast of tussen de deuren.
<ul style="list-style-type: none"> Het weer kan vochtig zijn. Dit is normaal bij vochtig weer. Wanneer de vochtigheid minder wordt, zal de condens verdwijnen.
Slechte geur binnenin de koelkast.
<ul style="list-style-type: none"> De binnenkant van de koelkast moet gereinigd worden. Maak de binnenkant van de koelkast schoon met een spons met warm of sodawater. Sommige bakjes of verpakkingsmaterialen kunnen de geur veroorzaken. Gebruik een ander bakje of ander soort verpakkingsmateriaal.
De deur(en) blijft (blijven) niet gesloten.
<ul style="list-style-type: none"> Het kan zijn dat voedselpakketjes veroorzaken dat de deur niet sluit. Verplaats de pakketjes die de deur belemmeren. De koelkast staat niet volledig waterpas op de vloer en wiebelt wanneer deze bewogen wordt. Stel de hoogteschroeven anders in. De vloer is niet gelijk of stevig. Zorg dat de vloer vlak is en de koelkast kan dragen.
Groenteladen zitten vast.
<ul style="list-style-type: none"> De levensmiddelen kunnen de bovenzijde van de lade raken. Herschik de levensmiddelen in de lade.

Lūdzu, vispirms izlasiet šo rokasgrāmatu!

Cienījamais pircēj!

Ceram, ka jūsu produkts, kas ražots modernās rūpnīcās un pārbaudīts ļoti pedantiskas kvalitātes kontroles procedūras laikā, nodrošinās efektīvu darbību.

Tādēļ mēs vēlētos ieteikt pirms produkta izmantošanas rūpīgi izlasīt visu rokasgrāmatu un turēt to ērti pieejamā vietā, lai vienmēr varētu tajā ieskatīties.




Šī rokasgrāmata

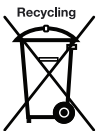
- Palīdzēs ātri un droši lietot iekārtu.
- Izlasiet šo rokasgrāmatu pirms produkta uzstādīšanas un izmantošanas.
- Ievērojiet norādījumus, it īpaši tos, kas saistīti ar drošību.
- Turiet šo rokasgrāmatu viegli pieejamā vietā, jo jums tā var būt nepieciešama vēlāk.
- Izlasiet arī citus kopā ar produktu saņemtos dokumentus.

Lūdzu, atcerieties, ka šī rokasgrāmata var attiekties arī uz citiem modeļiem.

Simboli un to apraksti

Šajā rokasgrāmatā redzami šādi simboli:

-  Svarīga informācija vai noderīgi padomi par izmantošanu.
-  Brīdinājums par dzīvībai un īpašumam bīstamiem apstākļiem.
-  Brīdinājums par elektrisko spriegumu.



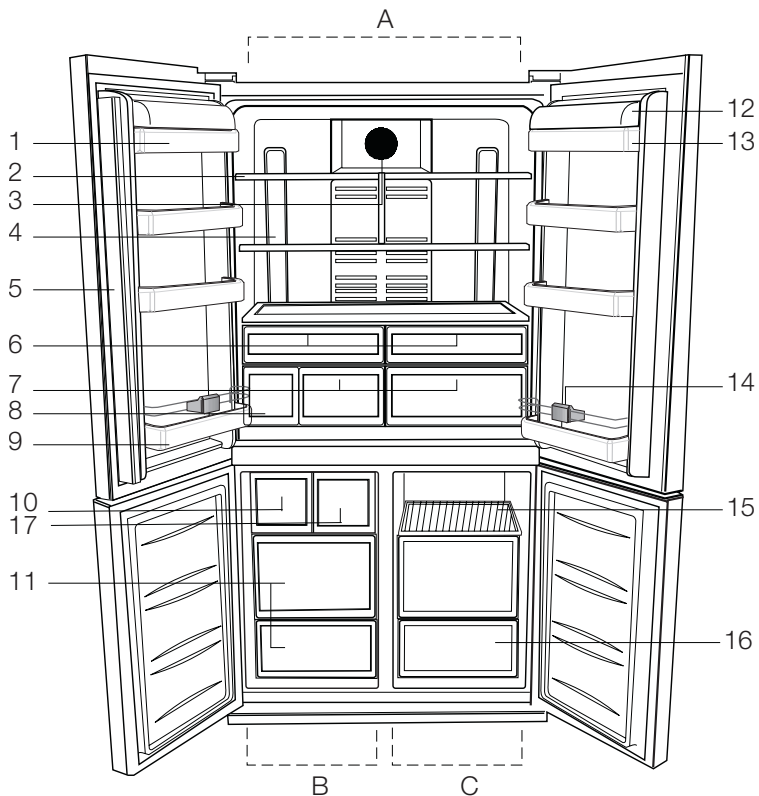
Šis produkts ir marķēts ar elektronisko un elektrisko iekārtu atkritumu (EEAI) selektīvās šķirošanas simbolu. Tas nozīmē, ka ar produktu jārikojas atbilstoši Eiropas direktīvai 2002/96/EK, lai iekārta tiktu atkārtoti pārstrādāta un izjaukta pēc iespējas samazinot tās negatīvo ietekmi uz apkārtējo vidi. Lai saņemtu sīkāku informāciju, lūdzu, sazinieties ar vietējām vai reģionālajām varas iestādēm.

Elektronikas produkti, kas nav iekļauti selektīvajā šķirošanas procesā, ir potenciāli bīstami videi un cilvēku veselībai, jo satur bīstamas vielas.

Saturs

1 Jūsu ledusskapis	3	4 Ledusskapja izmantošana	11
2 Svarīgi brīdinājumi par drošību	4	Indikatoru panelis	11
Paredzētā lietošana	4	Sviesta un siera nodalījums	15
Piezīme par iekārtām ar ūdens automātu;	6	Bīdāmi korpusa plaukti	16
Bērnu drošība	6	Olu turētājs	16
Brīdinājums par HCA	6	Augļu nodalījums	16
Kas darāms, lai ietaupītu enerģiju	6	Dzesēšanas nodalījums	16
leteikumi par svaigās pārtikas nodalījumu	6	“Flexi Zone” uzglabāšanas nodalījums	17
		Pagriežama vidusdaļa	17
		Zilā gaisma	17
3 Uzstādīšana	7	5 Apkope un tīrīšana	18
Sagatavošana	7	Plastmasas virsmu aizsargāšana	18
Lietas, kas jāapsver, atkārtoti pārvietojot ledusskapi	7	6 Ieteicamie problēmu risinājumi	19
Pirms ledusskapja izmantošanas	8		
Pievienošana elektrotīklam	8		
Atbrīvošanās no iepakojuma	8		
Atbrīvošanās no vecā ledusskapja	8		
Novietošana un uzstādīšana	9		
Stabila novietošana	9		
Noregulējiet atstarpi starp augšējām durvīm	10		

1 Jūsu ledusskapis



- | | | | |
|-----|--|-----|---|
| A - | Ledusskapja nodaļiņš | 10- | Icematic |
| B- | Saldēšanas kamera | 11- | Sasaldētas pārtikas uzglabāšanas nodaļiņi |
| C- | "Flexi Zone" | 12- | Sviesta un siera plaukta vāks |
| 1- | Ledusskapja nodaļiņuma durvju plaukti | 13- | Sviesta un siera plaukts |
| 2- | Ledusskapja nodaļiņuma regulējamie korpasa plaukti | 14- | Pudeļu turētājs |
| 3- | Gaismas izkliedētāja vāks | 15- | Uzglabāšanas nodaļiņi |
| 4- | Apgaismojuma lampa | 16- | "Flexi Zone" nodaļiņš |
| 5- | Pagriežama vidusdaļa | 17- | Svaigas pārtikas sasaldēšanas atvilktnē |
| 6- | Dzesēšanas nodaļiņš | | |
| 7- | Augļu nodaļiņš | | |
| 8- | Ūdens tvertne | | |
| 9- | Pudeļu plaukts | | |

i Attēli šajā instrukciju rokasgrāmatā ir shēmatiski un var precīzi neatbilst jūsu modelim. Ja attiecīgās daļas nav iekļautas jūsu iegādātā produkta komplektācijā, tad tās attiecas uz citiem modeļiem.

2 Svarīgi brīdinājumi par drošību

Lūdzu, iepazīstieties ar šo informāciju. Šīs informācijas neievērošana var kļūt par cēloni traumām vai materiālajiem bojājumiem. Tā rezultātā visas garantijas un saistības par iekārtas drošību zaudēs spēku.

Jūsu iegādātā izstrādājuma kalpošanas laiks ir 10 gadi. Šo laika periodu jāsauglabā rezerves daļas, kas nepieciešamas, lai iekārta darbotos, kā aprakstīts.

Paredzētā lietošana

Šī iekārta ir paredzēta lietošanai:

- iekšstelpās un norobežotās vietās, piemēram, mājās;
 - slēgtā darba vidē, piemēram, veikalos un birojos;
 - norobežotās apmešanās vietās, piemēram, fermās, viesnīcās un pansijās.
- Šo iekārta nevajadzētu izmantot ārpus telpām.

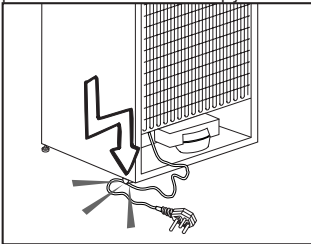
Vispārējā drošība

- Ja vēlaties atbrīvoties no šī izstrādājuma vai to pārstrādāt, mēs iesakām konsultēties ar pilnvarotu apkalpošanas centru, lai uzzinātu nepieciešamo informāciju un atrastu pilnvarotas organizācijas.
- Sazinieties ar pilnvarotu apkalpošanas centru saistībā ar visiem jautājumiem un problēmām attiecībā uz ledusskapi. Neveiciet ledusskapja remontu vai modifikāciju un neļaujiet to darīt citiem, neinformējot pilnvarotus pakalpojuma sniedzējus.
- Piezīme par iekārtām ar saldēšanas kameru: neēdiet saldējumu un ledus gabaliņus tūlīt pēc izņemšanas no saldēšanas kameras! (Tas var izraisīt mutes apsaldēšanu.)
- Piezīme par iekārtām ar saldēšanas kameru: neievietojiet šķidrus, pudelēs vai skārdenēs esošus dzērienus saldēšanas kamerā. Tie var saplīst.
- Nepieskarieties sasaldētam ēdienam ar rokām, jo tas var pie tām pielipt.
- Pirms atlaidināšanas vai tīrīšanas atvienojiet ledusskapi no barošanas

avota.

- Ledusskapja tīrīšanas un atlaidināšanas laikā nevajadzētu izmantot tvaiku un izgarojošus tīrīšanas līdzekļus. Šādos gadījumos garaiņi var piekļūt elektriskajām daļām un radīt īssavienojumu vai elektriskās strāvas triecienu.
- Nekad neizmantojiet ledusskapja daļas, piemēram, durvis, kā atbalstu vai pakāpienu.
- Neizmantojiet elektriskās iekārtas ledusskapja iekšpusē.
- Neurbiet un nezāgējiet daļas, kurās cirkulē dzesēšanas šķidrums. Dzesēšanas šķidrums, kas var izplūst, kad iztvaices aparāta gāzes kanāli, cauruļvadu pagarinājumi vai virsmas apvalki tiek pārplēsti, izraisa ādas iekaisumus un acu traumas.
- Ar nekādiem materiāliem neaizklājiet un nenobloķējiet ledusskapja ventilācijas atveres.
- Elektroiekārtu remontu drīkst veikt tikai pilnvarotas personas. Labošana, ko veikušas nekompetentas personas, rada risku lietotājam.
- Bojājuma vai apkopes un labošanas darbu laikā atvienojiet ledusskapja strāvas padevi, atvienojot attiecīgo drošinātāju vai iekārtas spraudkontakta.
- Atvienojot spraudkontakta, to nevelciet aiz vada.
- Stipros alkoholiskos dzērienus turiet cieši noslēgtus un vertikāli.
- Nekādā gadījumā neglabājiet ledusskapī aerosolus, kuru sastāvā ir viegli uzliesmojošas un sprādzienbīstamas vielas.
- Neizmantojiet mehāniskas ierīces vai citus līdzekļus, lai paātrinātu atlaidināšanas procesu, ja vien tos nav ieteicis ražotājs.
- Šī iekārta nav paredzēta, lai to izmantotu personas ar fiziskajiem, garīgajiem un uztveres traucējumiem vai cilvēki bez pieredzes un zināšanām (tostarp bērni), ja vien viņus neuzrauga persona, kas ir atbildīga par viņu drošību vai sniedz norādījumus par iekārtas izmantošanu.
- Neizmantojiet bojātu ledusskapi. Ja jums rodas kaut kādas bažas, sazinieties ar apkalpošanas pārstāvi.

- Ledusskapja elektrodrošība var tikt garantēta tikai tad, ja iezemējuma sistēma jūsu mājā atbilst standartiem.
- Iekārtas pakļaušana lietus, sniega, saules un vēja iedarbībai apdraud elektrodrošību.
- Ja spēka kabelis ir bojāts, lai izvairītos no briesmām, sazinieties ar pilnvarotu apkalpošanas centru.
- Uzstādīšanas laikā nekādā gadījumā neievietojiet spraudkontakta sienas kontaktligzdā. Pretējā gadījumā var rasties nāves draudu vai nopietnas traumas risks.
- Šis ledusskapis ir paredzēts tikai pārtikas uzglabāšanai. To nevajadzētu izmantot nekādam citam mērķim.
- Uzlīme ar izstrādājuma tehniskajiem datiem atrodas ledusskapja iekšpusē pa kreisi.
- Nekādā gadījumā nepievienojiet ledusskapi pie elektrības taupīšanas sistēmas, jo tas var sabojāt ledusskapi.
- Ja ledusskapim ir zils gaismas indikators, neskatieties uz to caur optiskām ierīcēm.
- Ja ledusskapji ir manuāli vadāmi, tad pirms to pārstartēšanas pēc elektropadeves traucējumiem ir jāpagaida vismaz 5 minūtes.
- Ja ledusskapis tiek atdots kādam citam, arī šī lietošanas rokasgrāmata ir jāatdod jaunajam īpašniekam.
- Ledusskapja transportēšanas laikā izvairieties no spēka kabeļa bojājumiem. Kabeļa saliekšana var izraisīt ugunsgrēku. Nekādā gadījumā nelieciet uz spēka kabeļa smagus priekšmetus. Pievienojot iekārtu barošanas avotam, nepieskarieties spraudkontakta ar slapjām rokām.



- Nepievienojiet ledusskapi vaļīgai sienas kontaktligzdai.
- Drošības apsvērumu dēļ izvairieties no ledusskapja iekšējo un ārējo daļu apšakstīšanas ar ūdeni.

- Lai izvairītos no ugunsgrēka un sprādziena riska, ledusskapja tuvumā neizsmidziniet vielas, kuru sastāvā ir viegli uzliesmojošas gāzes, piemēram, propāna gāze.
- Nekādā gadījumā nelieciet uz ledusskapja virsmas traukus ar ūdeni, jo tas var izraisīt elektriskās strāvas triecienu vai ugunsgrēku.
- Nepārslogojiet ledusskapi ar pārāk lielu pārtikas daudzumu. Ja ledusskapis ir pārāk pilns, tad, atverot durvis, pārtika var izkrist no ledusskapja, radot kaitējumu jums vai iekārtai. Nekādā gadījumā nelieciet priekšmetus uz ledusskapja virsmas, jo ledusskapja durvju atvēršanas vai aizvēršanas laikā tie var nokrist.
- Ledusskapī nedrīkst turēt vakcīnas, temperatūras jutīgus medikamentus un zinātniskiem pētījumiem paredzētus materiālus, jo tiem ir nepieciešama noteikta uzglabāšanas temperatūra.
- Ja ledusskapis netiks ilgstoši izmantots, tas jāatvieno no barošanas avota. Spēka kabeļa bojājuma gadījumā var sākties ugunsgrēks.
- Spraudkontakta dakšas ir regulāri jātīra, jo pretējā gadījumā var sākties ugunsgrēks.
- Spraudņa gals ir regulāri jātīra ar sausu drāniņu. Ja to nedarīsiet, tas var kļūt par ugunsgrēka cēloni.
- Ja regulējamās kājiņas nav pareizi nostiprinātas uz grīdas, tad ledusskapis var kustēties. Regulējamo kājiņu pareiza nostiprināšana uz grīdas var novērst ledusskapja kustēšanos.
- Nesot ledusskapi, neturiet to aiz durvju roktura. Pretējā gadījumā tas var nolūzt.
- Novietojot iekārtu līdzās citam ledusskapim vai saldētavai, starp šīm iekārtām ir jābūt vismaz 8 cm attālumam. Pretējā gadījumā uz līdzās esošajām sienām var kondensēties mitrums.

Piezīme par iekārtām ar ūdens automātu;

Ūdensvada minimālais spiediens drīkst būt 1 bārs. Ūdensvada maksimālais spiediens drīkst būt 8 bāri.

- Izmantojiet tikai dzeramo ūdeni.

Bērnu drošība

- Ja durvis ir slēdzamas, tad atslēga jāglabā bērniem nepieejamā vietā.
- Jāuzrauga, lai bērni nespēlētos ar iekārtu.

Brīdinājums par HCA

Ja iekārtas dzesēšanas sistēma satur R600a

Šī gāze ir viegli uzliesmojoša. Tādēļ pievērsiet uzmanību tam, lai izmantošanas un transportēšanas laikā dzesēšanas sistēma un cauruļvadi netiktu bojāti. Bojājuma gadījumā neturiet iekārtu potenciālu uguns avotu tuvumā, jo tas var izraisīt iekārtas aizdegšanos, un vēdiniet telpu, kurā novietota iekārta.

Neņemiet vērā šo brīdinājumu, ja iekārtai ir dzesēšanas sistēma, kas satur R134a.

Iekārtā izmantotais gāzes tips ir norādīts uz specifikācijas plāksnītes ledusskapja iekšpusē kreisajā pusē.

Nekādā gadījumā neatbrīvojieties no iekārtas, to sadedzinot.

Kas darāms, lai ietaupītu enerģiju

- Neturiet ledusskapja durvis ilgstoši atvērtas.
- Neievietojiet ledusskapī karstu pārtiku vai dzērienus.
- Nepārpildiet ledusskapi, lai netiktu traucēta gaisa cirkulācija tā iekšpusē.
- Nenovietojiet ledusskapi tiešā saules gaismā vai karstumu izstarojošu iekārtu, piemēram, krāsns, trauku mazgājamās iekārtas vai radiatoru, tuvumā.
- Pievērsiet uzmanību tam, lai pārtika atrastos aizvērtos traukos.
- Piezīme par iekārtām ar saldēšanas kameru. Saldēšanas kamerā varat saglabāt maksimālo ēdiena daudzumu, izņemot no tās plauktu vai atvilktni.

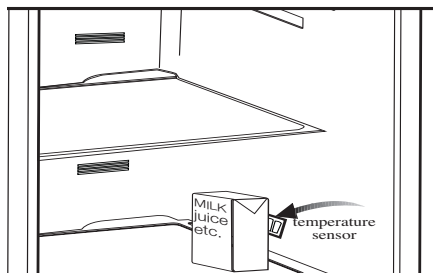
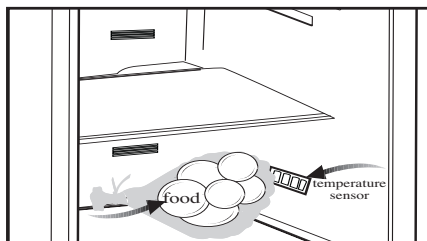
Norādītā saldēšanas kameras enerģijas patēriņa vērtība ir noteikta iekārtai ar izņemtu plauktu vai atvilktni un maksimālo noslodzi. Nepastāv nekāds risks, izmantojot plauktu vai atvilktni atbilstoši sasaldējamās pārtikas formai un izmēram.

- Sasaldētās pārtikas atļaidināšana ledusskapja nodalījumā gan ietaupīs elektroenerģiju, gan saglabās pārtikas kvalitāti.


Ieteikumi par svaigās pārtikas nodalījumu

* PAPILDU PIEDERUMS

- Lūdzu, neļaujiet pārtikai svaigās pārtikas nodalījumā saskarties ar temperatūras sensoru. Lai nodrošinātu ideālo uzglabāšanas temperatūru svaigās pārtikas nodalījumā, sensors nedrīkst būt bloķēts ar pārtikas produktiem.
- Nelieciet iekārtā karstu pārtiku.



3 Uzstādīšana

 Lūdzu ņemt vērā, ka ražotājs neuzņemas atbildību, ja instrukciju rokasgrāmatā iekļautā informācija netiek ievērota.

Sagatavošana

- Ledusskapis ir uzstādāms vismaz 30 cm attālumā no karstuma avotiem, piemēram, radiatoriem, sildītājiem, centrālapkures un krāsnīm, un vismaz 5 cm attālumā no elektriskajām krāsnīm, un to nedrīkst novietot tiešā saules gaismā.
- Ledusskapja uzstādīšanas istabas temperatūrai ir jābūt vismaz 10° C. Ledusskapja darbināšana vēsākos apstākļos nav ieteicama saistībā ar tā efektivitāti.
- Lūdzu, pārlicinieties, ka ledusskapja iekšpuse ir rūpīgi iztīrīta.
- Ja ir jāuzstāda divi blakus esoši ledusskapji, starp tiem jānodrošina vismaz 2 cm atstarpe.
- Kad ledusskapis tiek iedarbināts pirmo reizi, lūdzu, ievērojiet šīs instrukcijas pirmo sešu darbības stundu laikā.
 - Durvis nevajadzētu atvērt pārāk bieži.
 - Ledusskapi nevajadzētu ieslēgt tukšu, bez ievietotas pārtikas.
 - Neatvienojiet ledusskapja spraudkontakta no barošanas avota. Elektroapgādes traucējumu gadījumā, lūdzu, skatiet brīdinājumus sadaļā "Ieteicamie problēmu risinājumi".
- Oriģinālo iepakojumu un putuplastu vajadzētu saglabāt transportēšanai vai pārvietošanai nākotnē.

Lietas, kas jāapsver, atkārtoti pārvietojot ledusskapi

1. Jūsu ledusskapim pirms jebkuras transportēšanas ir jābūt iztukšotam un iztīrītam.
2. Ledusskapja plauktiem, piederumiem, atvilktnēm utt. pirms atkārtotas iepakojšanas ir jābūt cieši nostiprinātiem ar līmlenti, lai tos nodrošinātu pret jebkādiem triecieniem.
3. Iepakojumam ir jābūt cieši nostiprinātam ar virvēm un līmlentēm, un jāievēro uz iepakojuma norādītie transportēšanas noteikumi.

Lūdzu, neaizmirstiet...

Ikviena pārstrādātais materiāls ir svarīgs avots dabai un mūsu nacionālajiem resursiem.

Ja jūs vēlaties nodot iepakojuma materiālu pārstrādei, papildus informāciju varat iegūt no vides aizsardzības organizācijām vai vietējās varas pārstāvjiem.

Iekartas klimata klase atrodama uz tehnisko pamatdatu uzlīmes iekartas iekšpuse. Tajā norādīta atbilstoša darba vides temperatūra, kas redzama zemāk.

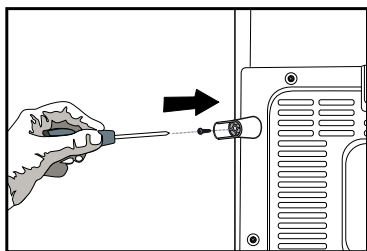
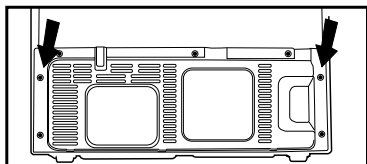
Klimata klase Apkartejas vides temperatūra

SN	+10°C līdz 32 °C
N	+16 °C līdz 32°C
ST	+18 °C līdz 38°C
T	+18 °C līdz 43 °C
SN-ST	+10 °C līdz 38 °C
SN-T	+10 °C līdz 43 °C

Pirms ledusskapja izmantošanas

Pirms ledusskapja ieslēgšanas pārbaudiet sekojošo.

1. Vai ledusskapja iekšpuse ir tīra un gaiss tā aizmugurē var brīvi cirkulēt?
2. Ievietojiet 2 plastmasas ķīļus aizmugures ventilācijā, kā parādīts šajā attēlā. Atskrūvējiet esošos ķīļus un izmantojiet skrūves, kas atrodamas ar ķīļiem vienā maisīnā. Plastmasas ķīļi nodrošinās nepieciešamo attālumu starp ledusskapi un sienu, lai notiktu gaisa cirkulācija.



3. Izīriiet ledusskapja iekšpusi, kā ieteikts sadaļā "Apkope un tīrīšana".
4. Pievienojiet ledusskapi sienas kontaktlīgzdai. Kad durvis tiks atvērts, iedegsies attiecīgā iekšējā gaismā.
5. Būs dzirdams troksnis, jo kompresors sāks darbību. Troksni var radīt arī šķidrums un gāzes, kas atrodas dzesēšanas sistēmā, pat tad, ja kompresors nedarbojas, un tas ir normāli.
6. Ledusskapja priekšējās malas var būt siltas. Tas ir normāli. Šīm vietām ir jābūt siltām, lai izvairītos no kondensācijas.

Pievienošana elektrotīklam

Pievienojiet ledusskapi iezemētai kontaktlīgzdai, kas aizsargāta ar atbilstošas jaudas drošinātāju.

Svarīgi!

- Savienojumam jāatbilst nacionālajiem noteikumiem.
 - Pēc uzstādīšanas spēka kabeļa spraudkontakta jābūt pieejamam.
 - Spriegums un atļautā drošinātāju jauda ir norādīta sadaļā "Tehniskā specifikācija".
 - Norādītajam spriegumam jāatbilst jūsu elektrotilka spriegumam.
 - Savienošanai nedrīkst tikt izmantoti pagarinātāji vai sadalītāji.
- ⚠ Bojāta spēka kabeļa nomaīņa jāuztīc kvalificētam elektriķim.
- ⚠ Iekārtu nedrīkst izmantot, kamēr tā nav salabota! Pastāv elektriskās strāvas trieciena risks!

Atbrīvošanās no iepakojuma

Iepakojuma materiāli var būt bīstami bērniem. Glabājiet iepakojuma materiālus bērniem nepieejamā vietā vai atbrīvojieties no tiem atbilstoši noteikumiem par atkritumu apglabāšanu un pārstrādi. Tos nedrīkst izmest kopā ar parastiem sadzīves atkritumiem.

Ledusskapja iepakojums ir izgatavots no otrreizēji pārstrādājamiem materiāliem.

Atbrīvošanās no vecā ledusskapja

Atbrīvojieties no vecās iekārtas tā, lai netiktu nodarīts kaitējums videi.

- Par atbrīvošanos no ledusskapja varat konsultēties ar pilnvarotu izplatītāju vai vietējās pašvaldības atkritumu savākšanas centru.

Pirms atbrīvošanās no ledusskapja, nogrieziet spraudkontakta un, ja uz durvīm ir slēdzenes, padariet tās neizmantojamas, lai pasargātu bērnu no jebkādam briesmām.

Novietošana un uzstādīšana

Uzmanību! Uzstādīšanas laikā nekādā gadījumā neievietojiet ledusskapja spraudkontakta sienas kontaktrozetē. Citādi var rasties nāves draudu vai nopietnu ievainojumu risks.

Ja telpas, kurā ledusskapis tiks uzstādīts, durvis ir par šauru, lai ledusskapi ievietotu, sazinieties ar autorizētu pakalpojuma sniedzēju, lai tiktu izņemtas ledusskapja durvis un ledusskapi tiktu ievietots pa durvīm sāniski.

1. Uzstādiet ledusskapi vietā, kurā to iespējams viegli izmantot.
2. Neturiet ledusskapi karstuma avotu tuvumā, mitrās vietās un tiešā saules gaismā.
3. Lai nodrošinātu efektīvu darbību, ap saldētāju jābūt pietiekošai ventilācijas vietai. Ja refrīžerators jāievieto sienas nišā, jāpastāv vismaz 5 cm attālumam no griestiem un 5 cm attālumam no sienas.

Ja grīda ir klāta ar paklāju, iekārtai jāatrodas vismaz 2,5 cm virs grīdas.

4. Novietojiet ledusskapi uz līdzenas grīdas virsmas, lai izvairītos no vibrācijas.
5. Neturiet ledusskapi vietās, kur ārējās vides temperatūra ir zemāka par 10°C.

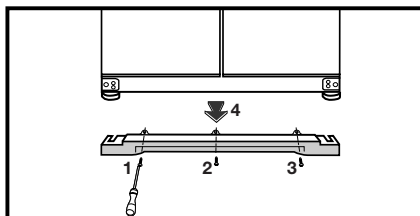
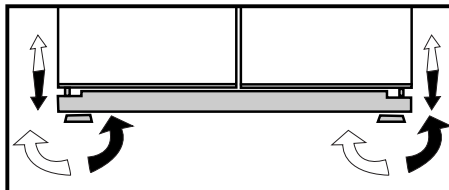
Stabila novietošana

Ja ledusskapis nav stabils;

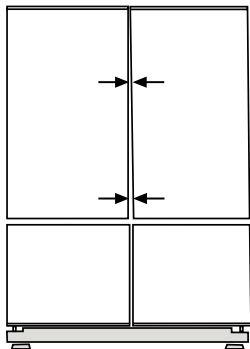
1- Ventilācijas vāks ir noņemts, atskrūvējot tā skrūves, kā parādīts attēlā pirms šīs procedūras apraksta. Varat ledusskapi novietot stabili, pagriežot priekšējās kājiņas, kā parādīts attēlā. Stūris, kurā atrodas kāja, tiek nolaists uz leju, ja tiek pagriezts melnās bultiņas virzienā, un pacelts uz augšu, ja tiek pagriezts pretējā virzienā. Otrās personas palīdzība, viegli paceļot saldētāju, atvieglinās šo procesu.

2. Pēc iekārtas nestabilitātes novēršanas uzlieciet atpakaļ ventilācijas vāku un ieskrūvējiet skrūves.

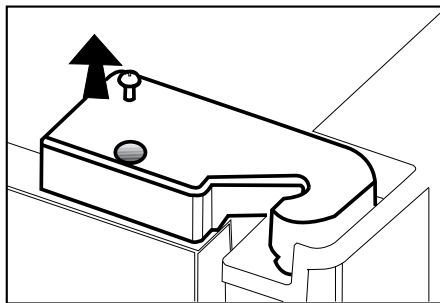
3. Ar Phillips skrūvgriezi izskrūvējiet apakšējā ventilācijas vāka stiprinājuma skrūves.



Noregulējiet atstarpi starp augšējām durvīm

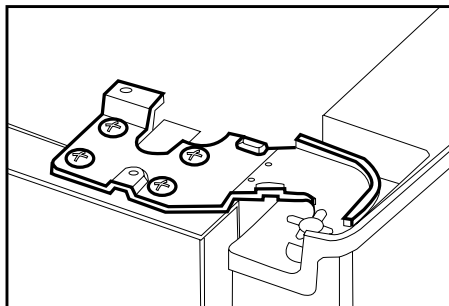


- Varat noregulēt atstarpi starp ledusskapja nodalījuma durvīm, kā parādīts attēlos.

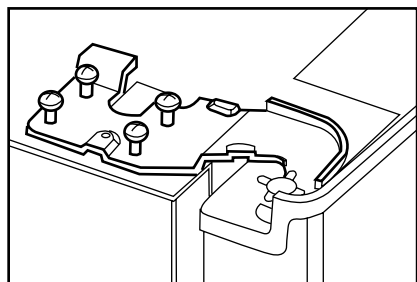
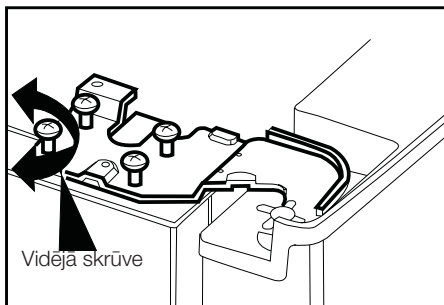


Durvju augstuma regulēšanas laikā durvju plauktiem ir jābūt tukšiem.

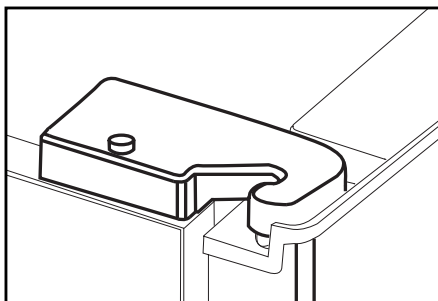
- Ar skrūvgriezi izskrūvējiet noregulējamo durvju augšējā eņģu vāciņa skrūvi.



- Noregulējiet durvis, kā vēlaties, atskrūvējot vajīgāk skrūves.



- Nostipriniet noregulētās durvis, pievelkot skrūves, nemainot durvju stāvokli.

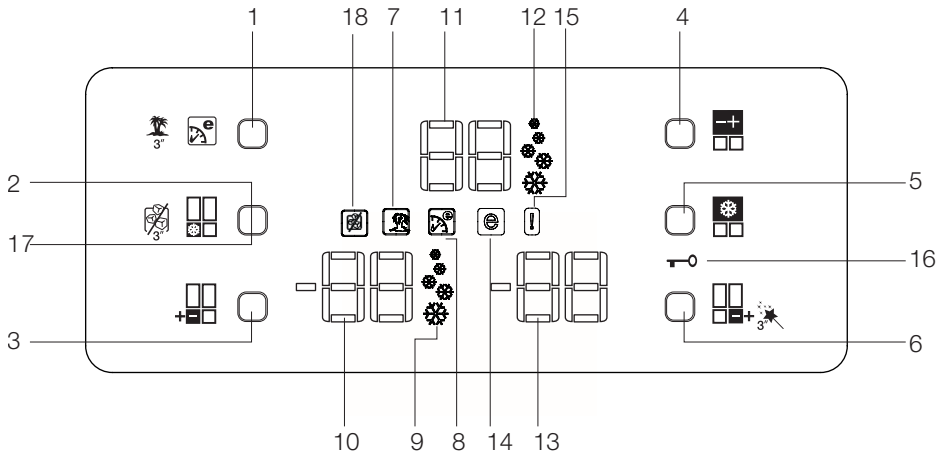


- Uzlieciet eņģu vāciņu un nostipriniet ar skrūvi.

4 Ledusskapja izmantošana

Indikatoru panelis

Šis skārienvadības indikatoru panelis ļaut iestatīt temperatūru, neatverot ledusskapja durvis. Gluži vienkārši ar pirkstu pieskarieties attiecīgajai pogai un iestatiet temperatūru.



1. Poga "Eco Extra"/"Atvaļinājuma režīms"
2. Poga "Fast Freeze"/"Ice Off" (Ātrā sasaldēšana / Ledus veidošanas atslēgšana)
3. Saldēšanas kameras temperatūras iestatīšanas poga
4. Ledusskapja nodalījuma temperatūras iestatīšanas poga
5. Ātrās atdzesēšanas poga
6. "Flexi Zone" uzglabāšanas nodalījuma temperatūras iestatīšanas poga
7. "Atvaļinājuma režīma" indikators
8. "Eco Extra" funkcijas indikators
9. "Quick Freeze" (ātrās sasaldēšanas) funkcijas indikators
10. Saldēšanas kameras temperatūras indikators
11. Ledusskapja nodalījuma temperatūras indikators
12. "Quick Cool" (ātrās atdzesēšanas) funkcijas indikators
13. "Flexi Zone" uzglabāšanas nodalījuma temperatūras indikators
14. Ekonomiskā režīma indikators
15. Kļūdas statusa indikators
16. Taustiņu bloķēšanas indikators
17. "Ice Off" (ledus veidošanas atcelšanas) funkcijas poga
18. "Ice Off" (ledus veidošanas atcelšanas) funkcijas indikators

i Attēli šajā instrukciju rokasgrāmatā ir shēmatiski un var precīzi neatbilst jūsu modelim. Ja attiecīgās daļas nav iekļautas jūsu iegādātā produkta komplektācijā, tad tās attiecas uz citiem modeļiem.

1. Poga “Eco Extra”/“Atvaļinājuma režīms”

Īsi nospiediet šo pogu un aktivizējiet funkciju “Eco Extra” funkciju. Nospiediet un 3 sekundes turiet šo pogu, lai aktivizētu funkciju “Atvaļinājuma režīms”. Vēlreiz nospiediet šo pogu, lai atceltu izvēlēto funkciju.

2. Ātrās sasaldēšanas poga

Īsi nospiediet šo pogu un aktivizējiet funkciju “Fast Freeze” (ātrā sasaldēšana). Vēlreiz nospiediet šo pogu, lai atceltu izvēlēto funkciju.

3. Saldēšanas kameras temperatūras iestatīšanas poga

Nospiediet šo pogu, lai iestatītu saldēšanas kameras temperatūru kā -18, -20, -22, -24, -18... grādus. Nospiediet šo pogu, lai iestatītu vēlamo saldēšanas kameras temperatūru.

4. Ledusskapja nodalījuma temperatūras iestatīšanas poga

Nospiediet šo pogu, lai iestatītu ledusskapja nodalījuma temperatūru kā 8, 6, 4, 2, 8... grādus. Nospiediet šo pogu, lai iestatītu vēlamo ledusskapja nodalījuma temperatūru.

5. Poga “Quick Cool” (Ātrā atdzesēšana)

Īsi nospiediet šo pogu un aktivizējiet funkciju “Quick Cool”. Vēlreiz nospiediet šo pogu, lai atceltu izvēlēto funkciju.

6. “Flexi Zone” uzglabāšanas nodalījuma temperatūras iestatīšanas poga

Varat ieslēgt “Flexi Zone” uzglabāšanas nodalījumu vai nu “Freezer” (saldētava), vai “Cooler” (dzesēšana) režīmā. Nospiediet un 3 sekundes turiet šo pogu, lai iestatītu “Flexi Zone” uzglabāšanas nodalījumu vai nu “Freezer”, vai “Cooler” režīmā. Šis nodalījums rūpnīcā ir iestatīts saldēšanas režīmā.

Ja “Flexi Zone” uzglabāšanas nodalījums ir iestatīts saldēšanas režīmā, tad katru reizi nospiežot šo pogu tā temperatūra mainīsies šādi: -18, -20, -22, -24, -18... grādi. Ja “Flexi Zone” uzglabāšanas nodalījums ir iestatīts dzesēšanas režīmā, tad katru reizi nospiežot šo pogu tā temperatūra mainīsies šādi: -6, 0, 2, 4, 6, 8, 10... grādi.

7. “Atvaļinājuma režīma” indikators

Norāda, ka aktivizēta funkcija “Atvaļinājuma režīms”. Ja šī funkcija ir aktīva, tad ledusskapja nodalījuma indikatora vietā parādās “- -” un ledusskapja nodalījumā tiek pārtraukta atdzesēšana. Citi nodalījumi tiks atdzesēti atbilstoši tiem iestatītajai temperatūrai.

Vēlreiz nospiediet attiecīgo pogu, lai atceltu šo funkciju.

8. “Eco Extra” funkcijas indikators

Norāda, ka aktivizēta funkcija “Eco Extra”. Ja šī funkcija ir aktivizēta, tad ledusskapis automātiski noteiks vismazākās lietošanas periodus un šajā laikā darbosies taupības režīmā. Energoefektīvās dzesēšanas laikā degs ekonomiskās izmantošanas indikators.

Vēlreiz nospiediet attiecīgo pogu, lai atceltu šo funkciju.

9. “Quick Freeze” (ātrās sasaldēšanas) funkcijas indikators

Norāda, ka aktivizēta funkcija “Quick Freezer”. Izmantojiet šo funkciju pēc svaigas pārtikas ievietošanas saldēšanas kamerā vai arī ledus ražošanai. Kad ieslēgta šī funkcija, tad ledusskapis darbosies 6 stundas bez pārtraukuma.

Vēlreiz nospiediet attiecīgo pogu, lai atceltu šo funkciju.

10. Saldēšanas kameras temperatūras indikators

Norāda iestatīto saldēšanas kameras temperatūru.

11. Ledusskapja nodalījuma temperatūras indikators

Norāda iestatīto ledusskapja nodalījuma temperatūru.

12. “Quick Cool” (ātrās atdzesēšanas) funkcijas indikators

Norāda, ka aktivizēta funkcija “Quick Cool”. Izmantojiet šo funkciju pēc svaigas pārtikas ievietošanas ledusskapja nodalījumā vai arī pārtikas ātrai atdzesēšanai. Kad ieslēgta šī funkcija, tad ledusskapis darbosies 2 stundas bez pārtraukuma.

Vēlreiz nospiediet attiecīgo pogu, lai atceltu šo funkciju.

13. “Flexi Zone” uzglabāšanas nodalījuma temperatūras indikators

Norāda “Flexi Zone” uzglabāšanas nodalījumam iestatīto temperatūru.

14. Ekonomiskā režīma indikators

Norāda, ka ledusskapis darbojas taupības režīmā. Saldēšanas kameras temperatūra Šis indikators degs, ja funkcijai būs iestatīta -18 grādu temperatūra vai arī “Eco-Extra” funkcijas izmantošanas dēļ tiks veikta energoefektīva dzesēšana.

15. Kļūdas statusa indikators

Ja ledusskapis pareizi neatdzesē vai arī notikusi sensora kļūda, šis indikators ir aktivizēts. Kad šis indikators ir aktivizēts, saldēšanas kameras nodalījuma temperatūras indikatora vietā būs redzams “E” un ledusskapja nodalījuma temperatūras indikatora vietā būs redzami tādi cipari kā “1,2,3...”. Šie indikatora vietā redzami cipari nodrošina kļūdas informāciju apkalpojošajiem darbiniekiem.

16. Taustiņu bloķēšanas indikators

Izmantojiet šo funkciju, ja nevēlaties, lai tiek mainīts jūsu ledusskapja temperatūras iestatījums. Lai aktivizētu šo funkciju, vienlaikus nospiediet un 3 sekundes turiet “Quick Cool” pogu un “Flexi Zone” uzglabāšanas nodalījuma temperatūras iestatīšanas pogu.

Vēlreiz nospiediet attiecīgās pogas, lai atceltu šo funkciju.

17. Ledus veidošanas atcelšanas poga

Lai pārtrauktu ledus veidošanu, nospiediet un 3 sekundes turiet ledus veidošanas atcelšanas pogu. Kad izvēlēta ledus veidošanas atcelšana, tad ledus kastē netiek ieliets ūdens. Tomēr ledus kastē var saglabāties ledus pārpalikums, ko iespējams izmantot. Lai atsāktu ledus veidošanu, nospiediet un 3 sekundes turiet ledus veidošanas atcelšanas pogu.

18. Ledus veidošanas atcelšanas indikators

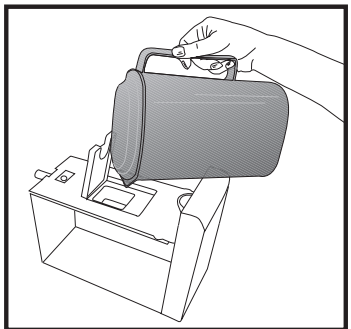
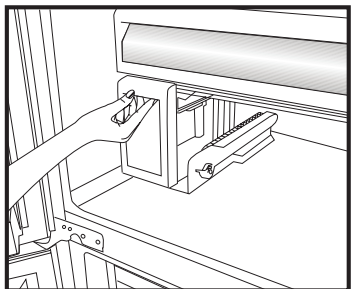
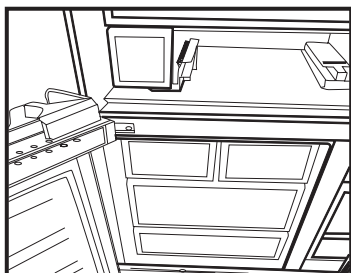
Ja nevēlaties, lai ledusskapis sasaldē ledu, tad izmantojiet šo funkciju. Varat izmantot šo funkciju, piespiežot un 3 sekundes turot ledus veidošanas atcelšanas pogu.

Brīdinājums par atvērtām durvīm

Ja vai nu ledusskapja nodalījuma durvis, vai **“Flezi Zone”** uzglabāšanas nodalījuma durvis paliek atvērtas vismaz 1 minūti, tad ieslēdzas signāls, kas brīdina par atvērtām durvīm. Lai izslēgtu brīdinājuma signālu, piespiediet jebkura indikatora pogu vai aizveriet atvērtās durvis.

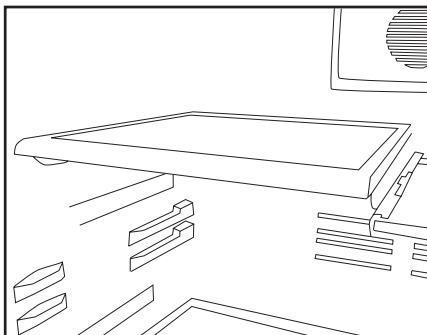
Automātiskā Icematic sistēma

Automātiskā Icematic sistēma ļauj viegli iegūt ledu no ledusskapja. Lai varētu iegūt ledu no Icematic, noņemiet ledusskapja nodalījuma ūdens tvertni, to piepildiet ar ūdeni un uzlieciet atpakaļ. Pirmais ledus būs gatavs pēc 2 stundām ledus atvilktnē, kas atrodas saldēšanas kamerā. Ja ūdens tvertne ir līdz malām pilna, tad varat iegūt 70 ledus gabaliņus. Nomainiet ūdens tvertnē ūdeni, ja tas tvertnē ir ilgāk par 2-3 nedēļām.



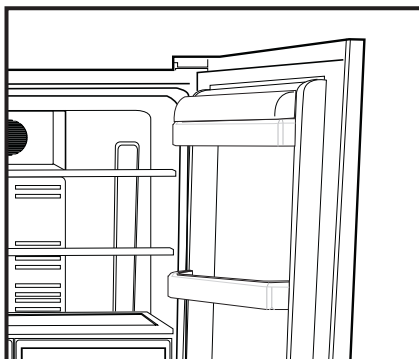
Bīdāmi korpasa plaukti ar āķiem to aizmugurē

Bīdāmie korpasa plaukti ar āķiem to aizmugurē var tikt pārvietoti uz priekšu un atpakaļ. Var tikt regulēts arī to augstums, tos izņemot un ievietojot zemāk vai augstāk. Mazliet paceliet plauktu un pavelciet savā virzienā, lai izņemtu.



Sviesta un siera nodalījums

Šajā nodalījumā ar vāku tiek glabāti tādi produkti kā sviests, siers un margarīns.



Olu turētājs

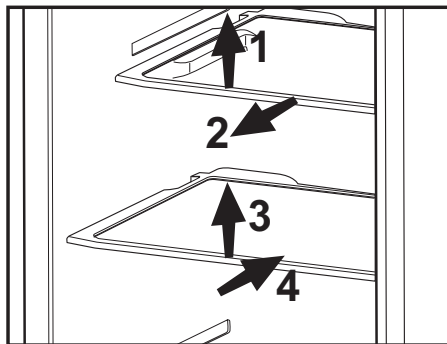
- Jūs varat ielikt olu turētāju vēlamajās durvīs vai korpusa plauktā.
- Nekādā gadījumā neglabājiēt olu turētāju saldēšanas kamerā.

Bīdāmi korpusa plaukti

- Bīdāmos korpusa plauktus var izvilkt, tos no priekšpusē mazliet paceļot uz augšu un pabīdot uz priekšu un atpakaļ. Pavelkot uz priekšu, lai izņemtu pārtiku, kas atrodas plauktu aizmugurē, tie apstāsies atdures punktā. Pēc tam plauktus pavelkot mazliet uz augšu pie otrā atdures punkta, korpusa plaukti tiks atbrīvoti.

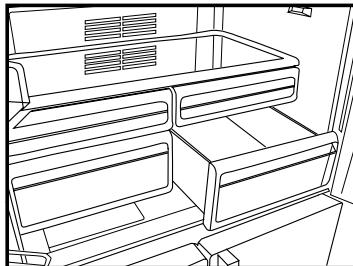
Plauktam cieši jāturas no apakšas, un tas novērsīs tā apgāšanos. Korpusa plauktus tiek uzlikts uz slīdēm abās ledusskapja korpusa pusēs, to vienā pusē paceļot mazliet uz augšu vai nolaižot mazliet uz leju.

Korpusa plaukts jābīda uz iekšu, līdz tas pilnībā iegūlies savā vietā.



Augļu nodalījums

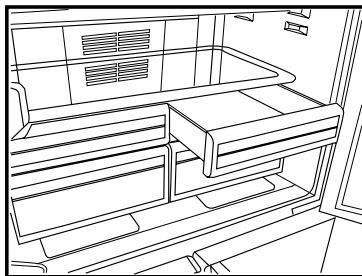
Ledusskapja augļu nodalījums ir īpaši paredzēts tam, lai dārzeņi saglabātos svaigi un nezaudētu savu mitrumu. Tādējāp kārt salātu nodalījumam notiek vēsā gaisa cirkulācija.



Dzesēšanas nodalījums

Dzesēšanas nodalījumi ļauj sagatavot sasaldēšanai paredzēto pārtiku. Varat izmantot šos nodalījumus arī tad, ja vēlaties pārtiku glabāt temperatūrā, kas ir pāris grādus zemāka par ledusskapja temperatūru.

Varat palielināt ledusskapja iekšējo tilpumu, izņemot jebkuru no uzskodu nodalījumiem. Lai to izdarītu, pavelciet nodalījumu savā virzienā. Nodalījums aizķersies aiz aizmura un apstāsies. Nodalījums tiks atbrīvots, kad to pacelsiet par aptuveni 1 cm un pavilksiet savā virzienā.

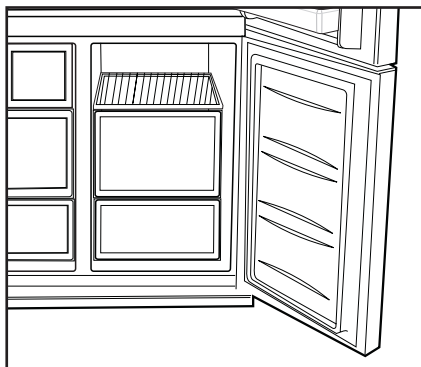


Pagriežama vidusdaļa

Pagriežamās vidusdaļas funkcija ir ledusskapja aukstā gaisa aizturēšana, tam noļaujot izplūst no ledusskapja. Pagriežamā vidusdaļa palīdz nodrošināt hermētiskumu, jo aizvērtu ledusskapja nodalījuma durvju blīves izdara spiedienu uz ledusskapja pagriežamo vidusdaļu. Pagriežamā vidusdaļa arī palielina ledusskapja nodalījuma izmantojamo tilpumu. Parasta vidusdaļa aizņem vietu un samazina izmantojamo ledusskapja tilpumu.

“Flexi Zone” uzglabāšanas nodalījums

Ledusskapja “Flexi Zone” uzglabāšanas nodalījums var tikt izmantots jebkurā izvēlētajā režīmā, noregulējot ledusskapja (2/4/6/8 °C) vai saldētavas (-18/-20/-22/-24) temperatūru. Ar “Flexi Zone” uzglabāšanas nodalījuma temperatūras iestatīšanas pogas palīdzību varat šajā nodalījumā saglabāt vēlamo temperatūru. “Flexi Zone” uzglabāšanas nodalījuma

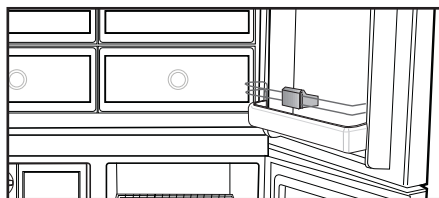


temperatūru var iestatīt līdz nullei un par 10 grādiem augstāku kā ledusskapja temperatūru un par līdz -6 grādiem zemāku par saldētavas temperatūru. 0 grādu temperatūra tiek izmantota ilgākai uzskodu uzglabāšanai un -6 grādu temperatūra tiek izmantota, lai līdz 2 nedēļām uzglabātu sasaldētu gaļu, kas ir viegli sagriežama.

i Iespēju šo nodalījumu pārslēgt ledusskapja vai saldētavas režīmā nodrošina dzesēšanas elements, kas atrodas noslēgtā sekcijā (kompresora nodalījumā) ledusskapja aizmugurē. Šī elementa darbības laikā atskan skaņas, kas līdzīgas mehāniskā puksteņa tikšķēšanai. Tas ir normāli un nav defekts.

Zilā gaisma

Pārtika, kas atrodas augļu nodalījumos un tiek apgaismota ar zilu gaismu, turpina savu fotosintēzi ar zilās gaismas viļņu garuma palīdzību, tādā veidā saglabājot svaigumu un palielinot vitamīnu saturu.



5 Apkope un tīrīšana

- ⚠ Nekādā gadījumā tīrīšanai neizmantojiet gāzolinu, benzīnu vai līdzīgas vielas.
- ⚠ Mēs iesakām iekārtu pirms tīrīšanas atvienot no barošanas avota.
- ❗ Nekad tīrīšanai neizmantojiet asus abrazīvus instrumentus, ziepes, mājsaimniecības tīrīšanas līdzekļus, mazgāšanas līdzekļus un pulējamo vasku.
- ❗ Notīriet ledusskapja korpusu ar remdenu ūdeni, un noslaukiet to sausu.
- ❗ Izmantojiet mīkstu drāniņu, kas samitrināta 0,57 l ūdens un 1 tk. sodas šķīdumā, un izgriezta, lai iztīrītu iekšpusi, pēc tam noslaukiet to sausu.
- ⚠ Pievērsiet uzmanību tam, lai ūdens neiekļūtu lampas ietvarā un citās elektriskās iekārtās.
- ⚠ Ja ledusskapis netiek izmantots ilgāku laiku, atvienojiet spēka kabeli, izņemiet visu pārtiku, iztīriet to un atstājiet durvis pusvīrus.
- ❗ Regulāri pārbaudiet durvju blīvējumu, lai pārliecinātos, ka tas ir tīrs un tajā nav sakrājušās pārtikas daļiņas.
- ❗ Lai izņemtu durvju plauktus, izņemiet visu saturu un tad paceliet plauktus no apakšpuses uz augšu.

Plastmasas virsmu aizsargāšana

- ❗ Nelieciet ledusskapī šķidrās eļļas vai eļļā gatavotus ēdienus nenoslēgtos traukos, jo tie bojā ledusskapja plastmasas virsmas. Ja uz plastmasas virsmām izlīst vai izsmērējas eļļa, uzreiz notīriet un noskalojiet attiecīgo vietu ar siltu ūdeni.

6 Ieteicamie problēmu risinājumi

Lūdzu, pārskatiet šo sarakstu pirms sazināšanās ar apkopes centru. Tas var ietaupīt jūsu laiku un naudu. Šajā sarakstā ietvertas bieži sastopamas problēmas, kas nav saistītas ar defektīvu ražojumu vai defektīva materiāla izmantošanu. Jūsu izstrādājumam var nebūt visas šeit aprakstītās funkcijas.

Ledusskapis nedarbojas.
<ul style="list-style-type: none">• Vai ledusskapis ir pareizi pievienots strāvas avotam? Ievietojiet spraudkontakta sienas kontaktligzdā.• Vai nav izdedzis drošinātājs kontaktligzdai, kurai pievienots ledusskapis, vai arī izsists galvenais drošinātājs? Pārbaudiet drošinātāju.
Kondensācija uz ledusskapja nodalījuma sānu sienas. (MULTI ZONE, COOL CONTROL un FLEXI ZONE)
<ul style="list-style-type: none">• Ļoti zemā ārējā temperatūra. Bieža durvju atvēršana un aizvēršana. Ļoti liels mitrums apkārtējā telpā. Tiek atvērtos traukos uzglabāta pārtika, kas satur šķidrumu. Durvis atstātas pusvīrus.• Termostata iestatīšana zemākai temperatūrai.• Samaziniet laiku, kad durvis tiek turētas atvērtas, vai retāk izmantojiet ledusskapi.• Pārtikas, kas tiek glabāta atvērtos traukos, pārklāšana ar piemērotu materiālu.• Noslaukiet kondensātu ar sausu audumu un pārbaudiet, vai tas saglabājas.
Kompresors nedarbojas
<ul style="list-style-type: none">• Kompresora termiskā aizsardzība atslēgsies pēkšņu elektroapgādes traucējumu gadījumā vai arī pieslēgšanas-atslēgšanas laikā, jo dzesēšanas šķidrums ledusskapja dzesēšanas sistēmā nebūs sabalansēts.• Ledusskapis sāks darboties pēc aptuveni 6 minūtēm. Lūdzu, sazinieties ar apkopes centru, ja ledusskapis nesāk darboties pēc šī laika perioda paiesšanas.• Ledusskapis izpilda atkausēšanas ciklu. Tas ir normāli ledusskapim, kas veic pilnīgi automātisku atlaidinašanu. Atlaidinašanas cikls periodiski atkārtojas.• Ledusskapis nav pievienots kontaktligzdai. Pārbaudiet, vai spraudkontakts ir cieši iesprausts sienas kontaktligzdā.• Vai temperatūras noregulēšana ir veikta pareizi? Noticis strāvas padeves pārrāvums. Sazinieties ar savu elektroenerģijas piegādātāju.
Ledusskapis darbojas bieži vai ilgu laiku.

- Iespējams jaunais ledusskapis ir platāks par iepriekšējo. Tas ir visai normāli. Lieli ledusskapji darbojas ilgāku laika periodu.
- Apkārtējā istabas temperatūra var būt augsta. Tas ir visai normāli.
- Iespējams ledusskapis ir nesen ieslēgts vai tajā nesen ievietota pārtika. Ledusskapja pilnīga atdzesēšana var notikt pāris stundas ilgāk.
- Nesen ledusskapī ievietots liels daudzums karsta ēdiena. Karsts ēdiens izraisa ilgāku ledusskapja darbību, līdz tiek sasniegta droša uzglabāšanas temperatūra.
- Iespējams durvis tiek bieži atvērtas vai ilgstoši atstātas pusvīrus. Siltais gaiss, kas iekļūst ledusskapī, liek tam darboties ilgāku laiku. Atveriet durvis retāk.
- Iespējams ledusskapja nodalījuma durvis atstātas pusvīrus. Pārbaudiet, vai durvis ir cieši aizvērtas.
- Ledusskapis ir noregulēts ļoti zemei temperatūrai. Iestatiet augstāku ledusskapja temperatūru un gaidiet, līdz šī temperatūra tiek sasniegta.
- Ledusskapja vai saldēšanas kameras durvju blīvējums var būt nefīrs, nodilis, iepļīsis vai nepareizi novietots. Notīriet vai nomainiet blīvējumu. Bojāts/ieplīsis blīvējums liek ledusskapim darboties ilgāku laiku, lai saglabātu esošo temperatūru.

Saldēšanas kameras temperatūra ir ļoti zema, bet ledusskapja temperatūra ir apmierinoša.

- Saldētāja temperatūra ir noregulēta ļoti zemei temperatūrai. Iestatiet augstāku saldētāja temperatūru un pārbaudiet.

Ledusskapja temperatūra ir ļoti zema, bet saldēšanas kameras temperatūra ir apmierinoša.

- Ledusskapja temperatūra ir noregulēta ļoti zemei temperatūrai. Iestatiet augstāku ledusskapja temperatūru un pārbaudiet.

Pārtika, kas atrodas ledusskapja nodalījuma atvilktnēs, sasalst.

- Ledusskapja temperatūra ir noregulēta ļoti zemei temperatūrai. Iestatiet augstāku ledusskapja temperatūru un pārbaudiet.

Ledusskapja vai saldēšanas kameras temperatūra ir ļoti augsta.

- Noregulēta ļoti augsta ledusskapja temperatūra. Ledusskapja temperatūra ietekmē saldēšanas kameras temperatūru. Mainiet ledusskapja vai saldētāja temperatūru, līdz saldētāja vai ledusskapja temperatūra sasniedz pietiekošu līmeni.
- Durvis atstātas pusvīrus. Kārtīgi aizveriet durvis.
- Nesen ledusskapī ievietots liels daudzums karsta ēdiena. Gaidiet, līdz ledusskapis vai saldētājs sasniedz vēlamo temperatūru.
- Ledusskapis var būt nesen ieslēgts. Ledusskapja pilnīga atdzesēšana prasa laiku tā izmēra dēļ.

No ledusskapja atskan skaņas, kas līdzīgas mehāniskā pulksteņa tikšķēšanai.

<ul style="list-style-type: none"> Šis troksnis nāk no ledusskapja elektromagnētiskā vārsta. Elektromagnētiskais vārsts nodrošina dzesēšanas šķidruma plūšanu cauri nodalījumam un var tikt noregulēts atbilstoši dzesēšanas vai saldēšanas temperatūrai un dzesēšanas funkciju veikšanai. Tas ir normāli un nav defekts.
Darbības troksnis palielinās, kad ledusskapis darbojas.
<ul style="list-style-type: none"> Ledusskapja darbības veikspējas raksturlielumi var mainīties atkarībā no ārējās temperatūras izmaiņām. Tas ir normāli un nav defekts.
Vibrācijas vai trokšņi.
<ul style="list-style-type: none"> Grīda nav līdzena vai tā ir ļodzīga. Ledusskapis līgojas, ja tas tiek lēni pakustināts. Pārliedzieties, ka grīda atrodas vienā līmenī, tā ir izturīga un spēj noturēt ledusskapja svaru. Iespējams troksni rada uz ledusskapja noliktās lietas. Tādas lietas jānoņem no ledusskapja virsmas.
Atskan trokšņi, kas atgādina šķidruma izlīšanu vai izšļākšanos.
<ul style="list-style-type: none"> Atbilstoši ledusskapja darbības principiem tajā plūst šķidrums un gāze. Tas ir normāli un nav defekts.
Atskan troksnis, kas atgādina vēja pūšanu.
<ul style="list-style-type: none"> Tiek izmantoti gaisa aktivizētāji (ventilatori), lai ledusskapis tiktu efektīvāk atdzesēts. Tas ir normāli un nav defekts.
Kondensācija uz ledusskapja iekšējām sienām.
<ul style="list-style-type: none"> Karsti un mitri laika apstākļi palielina ledus un kondensāta veidošanos. Tas ir normāli un nav defekts. Durvis tiek turētas pusvīrus. Pārliedzieties, ka durvis ir cieši aizvērtas. Iespējams durvis tikušas ļoti bieži atvērtas vai turētas atvērtas ilgu laiku. Atveriet durvis retāk.
Ledusskapja ārpusē vai starp durvīm rodas mitrums.
<ul style="list-style-type: none"> Iespējams ir mitri laika apstākļi. Tas ir normāli mitros laika apstākļos. Kad mitrums būs mazāks, kondensāts izzudīs.
Slikta smaka ledusskapī.
<ul style="list-style-type: none"> Ledusskapja iekšpuse ir jāiztīra. Izfīriet ledusskapja iekšpusi ar sūkli, siltu ūdeni vai gāzētu ūdeni. Iespējams smaku izraisa daži konteineri vai iepakojuma materiāli. Izmantojiet citus konteinerus vai citas markas iepakojuma materiālu.
Durvis neizveras.
<ul style="list-style-type: none"> Pārtikas iepakojums var neļaut durvīm aizvērties. Pārvirojiet pakas, kas traucē durvīm. Iespējams ledusskapis neatrodas pilnīgi vertikāli uz grīdas un tas līgojas, kad tiek nedaudz pakustināts. Noregulējiet pacelšanas skrūves. Grīda nav vienā līmenī vai pietiekami izturīga. Pārliedzieties, ka grīda atrodas vienā līmenī un spēj noturēt ledusskapi.
Augļu nodalījuma atvilktnes ir iesprūdušas.
<ul style="list-style-type: none"> Iespējams pārtika pieskaras atvilktnes griestiem. Pārkārtojiet atvilktnē esošo pārtiku.

Leggere innanzitutto il manuale di istruzioni.

Gentile Cliente,

ci auguriamo che l'articolo da Lei scelto, prodotto in moderni stabilimenti e sottoposto ai più severi controlli di qualità, risponda interamente alle Sue esigenze.

A tal fine, La invitiamo a leggere attentamente il manuale di istruzioni del prodotto prima di procedere al suo utilizzo e di conservarlo per eventuali consultazioni future.

Il presente manuale

- Aiuterà l'utente ad utilizzare l'apparecchio in modo rapido e sicuro.
- Leggere le istruzioni per l'uso prima di installare e utilizzare il prodotto.
- Seguire attentamente le istruzioni, in particolare quelle inerenti alla sicurezza.
- Conservare il presente manuale in un luogo facilmente accessibile per eventuali future consultazioni.
- Leggere inoltre gli altri documenti forniti assieme al prodotto.

Il presente manuale può essere valido anche per altri modelli.

Simboli e loro descrizione

Il manuale di istruzioni contiene i seguenti simboli:

 Informazioni importanti o consigli utili di utilizzo.

 Segnale di avvertimento in caso di situazioni pericolose per la persona o i beni.

 Segnale di avvertimento in caso di problemi con il voltaggio.

Riciclaggio



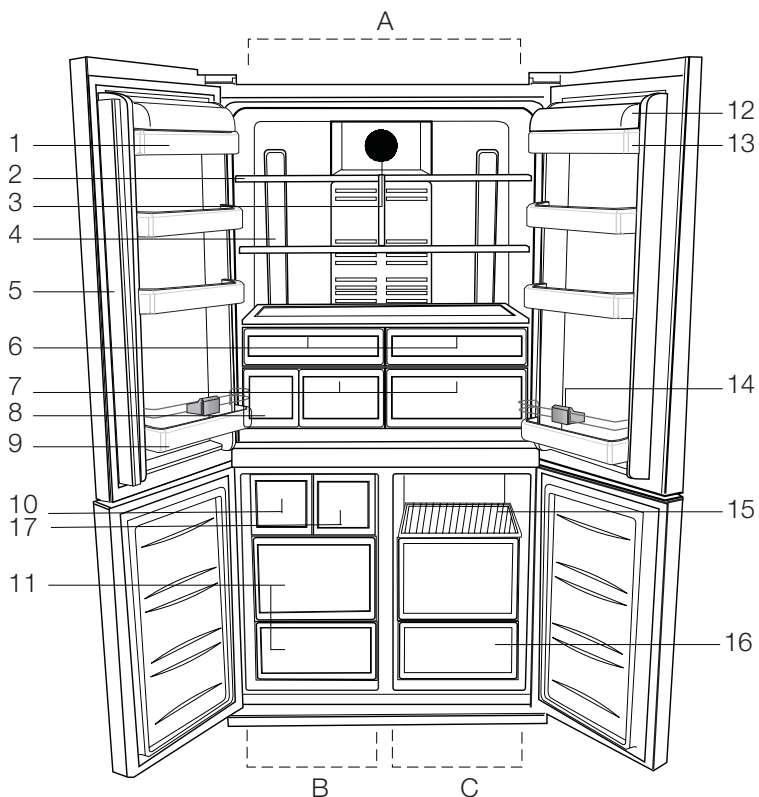
Questo prodotto riporta il simbolo di raccolta differenziata per le apparecchiature elettriche ed elettroniche di rifiuto (WEEE).

Ciò significa che il prodotto deve essere gestito in conformità alla direttiva europea 2002/96/EC in modo che durante il riciclaggio e lo smontaggio sia ridotto al minimo l'impatto sull'ambiente. Per ulteriori informazioni contattare le autorità locali o regionali.

I prodotti elettronici non inclusi nel processo di raccolta differenziata sono potenzialmente pericolosi per l'ambiente e la salute umana a causa della presenza di sostanze pericolose.

1 Il frigorifero	3	4 Utilizzo del frigorifero	12
2 Importanti avvertenze per la sicurezza	4	Sezione burro e formaggio	16
Uso previsto	4	Ripiani estraibili	17
Sicurezza generale	4	Scomparto per le uova	17
Sicurezza bambini	6	Scomparto frutta e verdura	17
Avvertenza HCA	6	Scomparto Chiller	17
Cose da fare per risparmiare energia ..	7	Scomparto conservazione Flexi	
Consigli per lo scomparto alimenti freschi	7	Zona	18
		Sezione centrale rotante	18
		Spia blu	18
3 Installazione	8	5 Manutenzione e pulizia	19
Preparazione	8	Protezione delle superfici di plastica	19
Punti da tenere in considerazione quando si trasporta nuovamente il frigorifero	8	6 Soluzioni consigliate per i problemi	20
Prima di utilizzare il frigorifero	9		
Collegamento elettrico	9		
Smaltimento del materiale di imballaggio	9		
Smaltimento del vecchio frigorifero ..	10		
Posizionamento e installazione	10		
Regolazione bilanciamento pavimento	10		
Regolazione della distanza tra la porta superiore	11		

1 Il frigorifero



- | | |
|--|---|
| A- Scomparto frigo | 9- Ripiano bottiglie |
| B- Scomparto freezer | 10-Icematic |
| C- Flexi Zona | 11-Scomparto per conservazione cibi congelati |
| 1- Ripiani dello sportello dello scomparto frigo | 12-Coperchio scomparto burro e formaggio |
| 2- Ripiani regolabili scomparto frigo | 13-Scomparto Burro e Formaggio |
| 3- Copertura del diffusore | 14-Porta bottiglie |
| 4- Lente con illuminazione | 15-Scomparti di conservazione |
| 5- Sezione centrale rotante | 16-Scomparto Flexi Zona |
| 6- Scomparto Chiller | 17-Cassetto freezer alimenti freschi |
| 7- Scomparto frutta e verdura | |
| 8- Serbatoio dell'acqua | |

Le illustrazioni contenute in questa guida sono schematiche e potrebbero non corrispondere esattamente al prodotto in uso. Se le parti in oggetto non sono incluse nel prodotto acquistato, significa che sono da intendersi per altri modelli.

2 Importanti avvertenze per la sicurezza

Prendere in esame le seguenti informazioni. Se queste informazioni non vengono rispettate, possono verificarsi lesioni personali o danni materiali. Quindi tutte le garanzie e gli impegni sull'affidabilità diventerebbero privi di validità.

La vita d'uso dell'unità acquistata è 10 anni. Questo è il periodo in cui si conservano le parti di ricambio necessarie perché l'unità funzioni come descritto.

Uso previsto

- Questo apparecchio è destinato ad un uso domestico e applicazioni simili come
 - aree destinate a cucina in negozi, uffici e altri ambienti di lavoro;
 - fattorie e da clienti in alberghi, motel e altri ambienti di tipo residenziale;
 - ambienti tipo bed and breakfast;
 - catering e simili applicazioni non commerciali.
- Non deve essere usato all'esterno. L'uso esterno non è appropriato anche se coperto da un tetto.

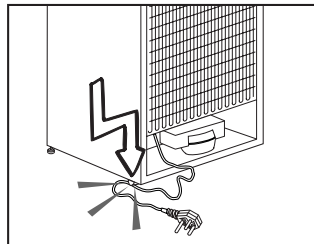
Sicurezza generale

- Quando si vuole smaltire/eliminare l'apparecchio, è consigliabile consultare il servizio autorizzato per apprendere le informazioni necessarie e conoscere gli enti autorizzati.
- Consultare il servizio di manutenzione autorizzato per tutti i problemi relativi al frigorifero. Non intervenire o far intervenire sul frigorifero senza informare il servizio manutenzione autorizzato.
- Non mangiare con gelati ghiacciati o cubetti di ghiaccio o gelati appena presi dal freezer! (possono provocare

bruciature da freddo alla bocca). (Ciò potrebbe causare sintomi di congelamento in bocca).

- Non mettere bottiglie e lattine di bibite liquide nello scomparto del freezer. altrimenti potrebbero esplodere.
- Non toccare con le mani gli alimenti gelati; possono incollarsi ad esse.
- Il vapore e i materiali per la pulizia vaporizzati non devono mai essere usati per pulire e scongelare il frigorifero. In questo caso il vapore può entrare in contatto con le parti elettriche e provocare corto circuito o scossa elettrica.
- Non usare mai parti del frigorifero come lo sportello come mezzo di supporto o movimento.
- Non utilizzare dispositivi elettrici all'interno del frigorifero.
- Non danneggiare il circuito di raffreddamento, in cui circola il refrigerante, con utensili perforanti o taglienti. Il refrigerante può scoppiare quando i canali del gas dell'evaporatore, le estensioni dei tubi o le pellicole superficiali vengono punti e possono provocare irritazioni alla pelle e lesioni agli occhi.
- Non bloccare o coprire la ventilazione dell'elettrodomestico.
- Le riparazioni agli apparecchi elettrici devono essere eseguite solo da personale qualificato. Le riparazioni eseguite da personale non competente possono provocare danni all'utilizzatore.
- In caso di guasto o durante lavori di riparazione e manutenzione, scollegare la fornitura d'energia principale spegnendo il fusibile principale o scollegando la presa dell'apparecchio.

- Non tirare dal cavo quando si estrae la spina.
- Posizionare le bibite più alte molto vicine e in verticale
- Non conservare sostanze esplosive come aerosol con gas propellenti infiammabili nell'apparecchio.
- Non utilizzare apparecchiature meccaniche o altri mezzi diversi da quelli consigliati dal produttore, per accelerare il processo di sbrinamento.
- Questo apparecchio non deve essere usato da persone (compresi bambini) con capacità fisiche, sensoriali o mentali ridotte, o mancanza di esperienza e conoscenza, a meno che non ricevano la supervisione o le istruzioni per l'uso dell'apparecchio da parte di una persona responsabile della loro sicurezza.
- Non utilizzare frigoriferi danneggiati. Consultare il servizio assistenza in caso di dubbi.
- La sicurezza elettrica del frigorifero è garantita unicamente se il sistema di messa a terra dell'apparecchiatura è conforme agli standard.
- L'esposizione del prodotto a pioggia, neve, sole e vento è pericolosa per la sicurezza elettrica.
- Contattare l'assistenza autorizzata quando ci sono danni ai cavi ecc., in modo che non creino pericoli per l'utente.
- non collegare mai il frigorifero alla presa a muro durante l'installazione, per evitare il rischio di morte o lesioni gravi.
- Questo frigorifero è destinato solo alla conservazione di alimenti. Non deve essere usato per altri fini.
- L'etichetta che descrive le specifiche tecniche del prodotto si trova a sinistra nella parte interna del frigorifero.
- Non collegare il frigorifero a sistemi di risparmio energetico poiché possono danneggiare l'apparecchio.
- Se il frigorifero presenta una luce blu, non guardarla usando dispositivi ottici.
- Se l'alimentazione è scollegata negli apparecchi controllati manualmente, attendere almeno 5 minuti prima di ricollegarla.
- Questo manuale deve essere trasferito al successivo proprietario del frigorifero, in caso di passaggio di proprietà.
- Quando si sposta l'apparecchio, assicurarsi di non danneggiare il cavo di alimentazione. Per evitare che il cavo di alimentazione si incendi, evitare di torcerlo. Non mettere oggetti pesanti sul cavo di alimentazione. Quando il frigorifero viene collegato alla rete, non toccare la presa di alimentazione con le mani bagnate.



- Non collegare il frigorifero alla rete se la presa elettrica è allentata.
- Non far schizzare l'acqua direttamente sulle parti esterne o interne del frigorifero per ragioni di sicurezza.
- Non spruzzare materiali infiammabili come gas propano, ecc. nelle vicinanze del frigorifero, a causa del rischio di incendio ed esplosioni.

- Non mettere oggetti pieni di acqua sopra al frigorifero poiché potrebbero provocare uno shock elettrico o un incendio.
- Non sovraccaricare il frigorifero con troppi alimenti. Gli alimenti in eccesso possono cadere quando viene aperto lo sportello, causando lesioni alla persona o danneggiando il frigorifero. Non mettere oggetti sopra al frigorifero poiché potrebbero cadere quando si apre o si chiude lo sportello dell'apparecchio.
- Materiali che richiedono determinate condizioni di temperatura come vaccini, farmaci termosensibili, materiali scientifici, ecc. non devono essere tenuti in frigorifero.
- Se il frigorifero non viene usato per molto tempo, deve essere scollegato dalla rete. Un problema nell'isolamento del cavo elettrico potrebbe provocare un incendio.
- La punta della spina elettrica deve essere regolarmente pulita altrimenti potrebbe provocare un incendio.
- La punta della spina deve essere pulita regolarmente con un panno asciutto; altrimenti può provocare un incendio.
- Il frigorifero potrebbe spostarsi quando i piedini regolabili non sono posizionati in modo fermo a terra. Usando i piedini regolabili si assicura che il frigorifero sia posizionato in modo stabile sul pavimento.
- Se il frigorifero ha una maniglia sullo sportello, non tirare l'apparecchio dalla maniglia quando lo si sposta, altrimenti la maniglia potrebbe staccarsi.

- Se è necessario utilizzare l'apparecchio vicino ad un altro frigorifero o un altro freezer, la distanza tra gli apparecchi deve essere almeno 8 cm. Altrimenti si può creare condensa sulle pareti laterali che sono l'una di fronte all'altra.
- La pressione principale dell'acqua non deve scendere sotto 1bar. La pressione principale dell'acqua non deve essere superiore a 8 bar.
- Usare solo acqua potabile.

Sicurezza bambini

- Se la porta ha un lucchetto, la chiave deve essere tenuta lontana dalla portata dei bambini.
- I bambini devono ricevere la supervisione necessaria ad assicurare che non giochino con l'apparecchio.

Avvertenza HCA

Se il prodotto è dotato di un sistema di raffreddamento che contiene R600a:

Questo gas è infiammabile. Pertanto, fare attenzione a non danneggiare il sistema di raffreddamento e le tubazioni durante l'uso e il trasporto. In caso di danni, tenere il prodotto lontano da potenziali fonti di incendio che possono provocarne l'incendio e ventilare la stanza in cui si trova l'unità.

Ignorare l'avvertenza se il prodotto è dotato di un sistema di raffreddamento che contiene R134a.

Si può vedere il gas usato nella produzione del dispositivo sull'etichetta informativa che si trova nella parte interna sinistra dello stesso.

Non gettare mai il prodotto nel fuoco.

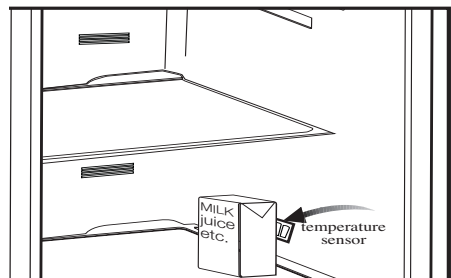
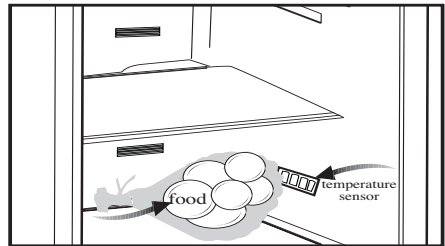
Cose da fare per risparmiare energia

- Non lasciare lo sportello del frigorifero aperto per lungo tempo.
- Non inserire cibo caldo o bevande calde nell'elettrodomestico.
- Non sovraccaricare il frigorifero impedendo la circolazione dell'aria al suo interno.
- Non installare il frigorifero sotto la luce diretta del sole o nelle vicinanze di forni, lavastoviglie o radiatori.
- Porre attenzione nel conservare il cibo in contenitori chiusi.
- La quantità massima di alimenti può essere posta nello scomparto freezer del frigorifero quando il ripiano o il cassetto dello scomparto freezer sono rimossi. Il valore di consumo energetico dichiarato per il frigorifero è stato stabilito con il ripiano o il cassetto dello scomparto freezer rimossi e con la quantità massima di alimenti caricata. Non c'è rischio nell'usare un ripiano o un cassetto secondo le forme e le dimensioni degli alimenti da congelare.

Consigli per lo scomparto alimenti freschi

*FACOLTATIVO

- Non lasciare che gli alimenti entrino in contatto con il sensore della temperatura nello scomparto alimenti freschi. Per mantenere lo scomparto degli alimenti freschi alla temperatura ideale di conservazione, il sensore non deve essere bloccato dagli alimenti.
- Non mettere cibo caldo nell'elettrodomestico.



3 Installazione

⚠ Ricordarsi che il fabbricante non è responsabile della mancata osservanza delle informazioni fornite nel manuale di istruzioni.

Preparazione

- Il frigorifero dovrà essere installato ad almeno 30 cmv lontano da fonti di calore, come forni, riscaldamento centrale e stufe, e ad almeno 5 cm da forni elettrici e non deve essere esposto alla luce diretta del sole
- La temperatura ambiente della stanza in cui viene installato il frigorifero deve essere almeno 10°C . Usare il frigorifero in ambienti con temperatura inferiore non è consigliabile per motivi di efficienza.
- Assicurarsi che l'interno del frigorifero sia ben pulito.
- In caso di installazione di due frigoriferi l'uno accanto all'altro, devono esservi almeno 2 cm di distanza tra di loro.
- Quando il frigorifero viene messo in funzione per la prima volta, osservare le seguenti istruzioni per le prime sei ore.
 - La porta non si deve aprire frequentemente.
 - Deve funzionare vuoto senza alimenti all'interno.
 - Non staccare il frigo dalla presa di corrente. Se si verifica un calo di potenza al di là del controllo dell'utente, vedere le avvertenze nella sezione "Soluzioni consigliate per i problemi".

- Conservare i materiali originali di imballaggio per futuri trasporti o spostamenti.

Punti da tenere in considerazione quando si trasporta nuovamente il frigorifero

1. Deve essere svuotato prima di ogni trasporto.
2. Scaffali, accessori, cestelli ecc. devono essere fissati nel frigorifero in modo sicuro per mezzo di nastro adesivo prima di essere di nuovo imballati.
3. L'imballaggio deve essere eseguito con nastro spesso e forte e le norme di trasporto devono essere scrupolosamente seguite.

Cose da non dimenticare...

Tutti i materiali riciclati sono una fonte indispensabile per la natura e per le nostre risorse naturali.

Se si vuole contribuire al riciclaggio di materiali da imballo, è necessario rivolgersi per ulteriori informazioni alle autorità locali per l'ambiente.

La classe climatica dell'elettrodomestico viene fornita nell'etichetta informatica posta all'interno. Questa etichetta specifica le temperature ambientali ideali per il funzionamento, come spiegato di seguito.

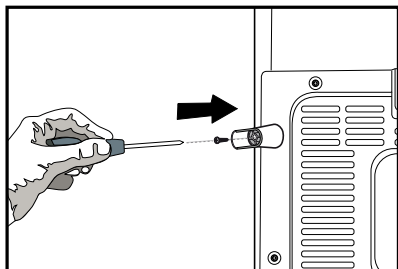
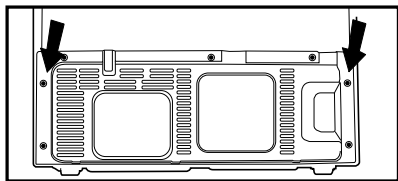
Classe climatica Temperatura ambientale

SN	+10 °C a 32 °C
N	+16 °C a 32 °C
ST	+18 °C a 38 °C
T	+18 °C a 43 °C
SN-ST	+10 °C a 38 °C
SN-T	+10 °C a 43 °C

Prima di utilizzare il frigorifero

Prima di avviare l'uso del frigorifero, controllare quanto segue:

1. L'interno del frigorifero è asciutto e l'aria può circolare liberamente sul retro?
2. Inserire i 2 distanziali di plastica sulla ventilazione posteriore come riportato nella figura seguente. Svitare quelle esistenti ed usare le viti in dotazione con il sacchetto dei distanziali. I distanziali di plastica garantiranno la distanza necessaria alla circolazione dell'aria tra il frigorifero e la parete.



3. Pulire la parte interna del frigorifero come consigliato nella sezione "Manutenzione e pulizia".
4. Collegare il frigorifero alla presa a muro. Quando la porta è aperta la luce interna è accesa.
5. Si sente un rumore quando il compressore si avvia. I liquidi e i gas sigillati nel sistema refrigerante possono produrre dei rumori, anche se il compressore non è in funzione; questo è abbastanza normale.

6. I bordi anteriori del frigorifero possono essere tiepidi. Questo è normale. Queste zone sono progettate per essere tiepide per evitare la condensazione.

Collegamento elettrico

Collegare il frigorifero ad una presa di messa a terra protetta da un fusibile della capacità appropriata.

Importante:

- Il collegamento deve essere conforme ai regolamenti nazionali.
 - Il cavo di alimentazione deve essere facilmente accessibile dopo l'installazione.
 - Tensione e protezione fusibile consentita sono specificate nella sezione "Specifiche tecniche".
 - La tensione specificata deve essere pari a quella di rete.
 - Le prolunghe e le prese multiple non devono essere usate per il collegamento.
- ⚠ Un cavo di alimentazione danneggiato deve essere sostituito da un elettricista qualificato.
- ⚠ L'apparecchio non deve essere usato finché non viene riparato! C'è pericolo di shock elettrico!

Smaltimento del materiale di imballaggio

I materiali di imballaggio potrebbero essere dannosi per i bambini. Tenere i materiali di imballaggio fuori dalla portata dei bambini o smaltirli classificandoli secondo le istruzioni sui rifiuti. Non smaltirli insieme ai normali rifiuti domestici.

L'imballaggio del frigorifero è prodotto con materiali riciclabili.

Smaltimento del vecchio frigorifero

Smaltimento del vecchio frigorifero senza danni per l'ambiente.

- Bisogna consultare il rivenditore autorizzato o il centro di raccolta rifiuti della propria città per quanto riguarda lo smaltimento del frigorifero.

Prima di smaltire il frigorifero, tagliare la spina elettrica e, se ci sono blocchi allo sportello, renderli inutilizzabili per proteggere i bambini da eventuali pericoli.

Posizionamento e installazione

Attenzione: non collegare mai il frigorifero alla presa a muro durante l'installazione, per evitare il rischio di morte o lesioni gravi.

Nel caso in cui la porta di ingresso della stanza in cui il frigorifero deve essere posizionato, non è abbastanza grande per il passaggio del frigorifero, chiamare il servizio autorizzato per rimuovere le porte del frigorifero e per farlo passare attraverso la porta.

1. Installare il frigorifero in un luogo che ne permetta il facile utilizzo.
2. Tenere il frigorifero lontano da fonti di calore, luoghi umidi e luce diretta del sole.
3. Intorno al frigorifero deve esserci ventilazione appropriata per poter avere operatività efficiente.

Se il frigorifero deve essere posizionato in un recesso della parete, è necessario porlo ad almeno 5 cm di distanza dal soffitto e a 5 cm dalla parete.

Se il pavimento è coperto con un tappeto, il prodotto deve essere sollevato di 2,5 cm dal pavimento.

4. Posizionare l'elettrodomestico solo su superfici uniformi e piane per evitare dondoli.

5. Non tenere il frigorifero in ambienti con temperature inferiori ai 10°C.

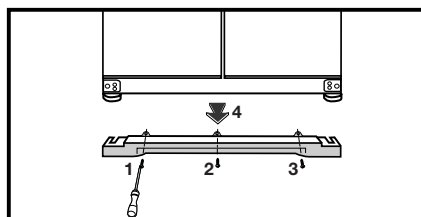
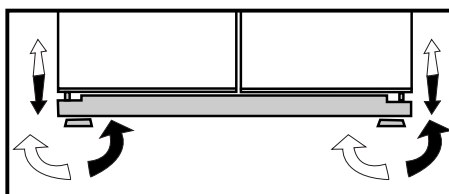
Regolazione bilanciamento pavimento

Se il frigorifero non è in equilibrio:

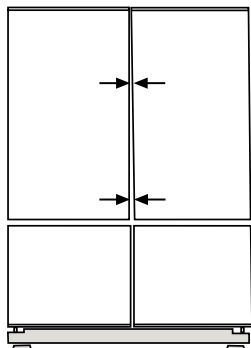
1- La copertura di ventilazione viene rimossa svitando le viti, come illustrato nella figura prima della procedura. È possibile bilanciare il frigorifero ruotando i piedini anteriori come illustrato in figura. L'angolo in cui i piedini sono più bassi quando girati in direzione della freccia nera e rialzati quando girati in direzione opposta. Un aiuto per sollevare leggermente il frigorifero faciliterà tale processo.

2. Quando il problema di equilibrio è risolto, installare nuovamente la copertura di ventilazione e fissare le viti.

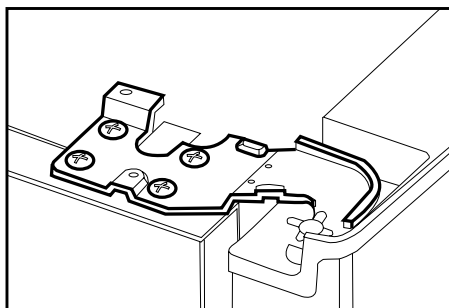
3. Rimuovere le viti avvitando la copertura di ventilazione inferiore usando un cacciavite Phillips.



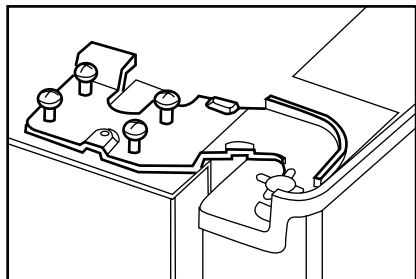
Regolazione della distanza tra la porta superiore



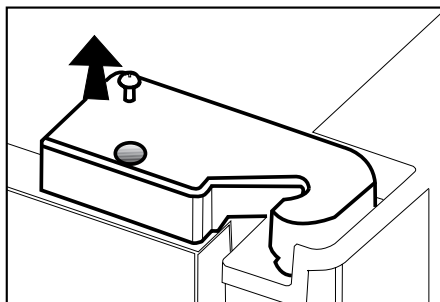
- Si può regolare la distanza tra le porte dello scomparto frigo come illustrato nelle figure.



- Regolare la porta in modo appropriato, come desiderato, allentando le viti.

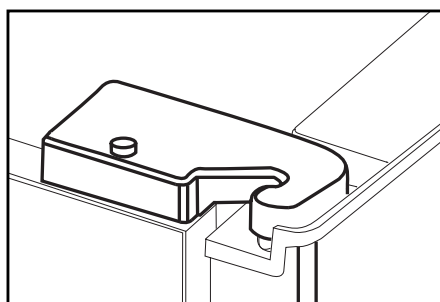
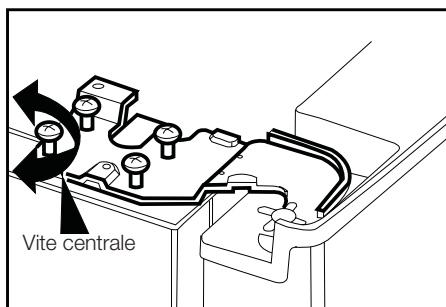


- Fissare la porta che è stata regolata stringendo le viti, senza modificare la posizione della porta stessa.



Gli scaffali della porta devono essere vuoti durante la regolazione della sua altezza.

- Usando un cacciavite, rimuovere la vite della copertura del cardine superiore della porta che si desidera regolare.

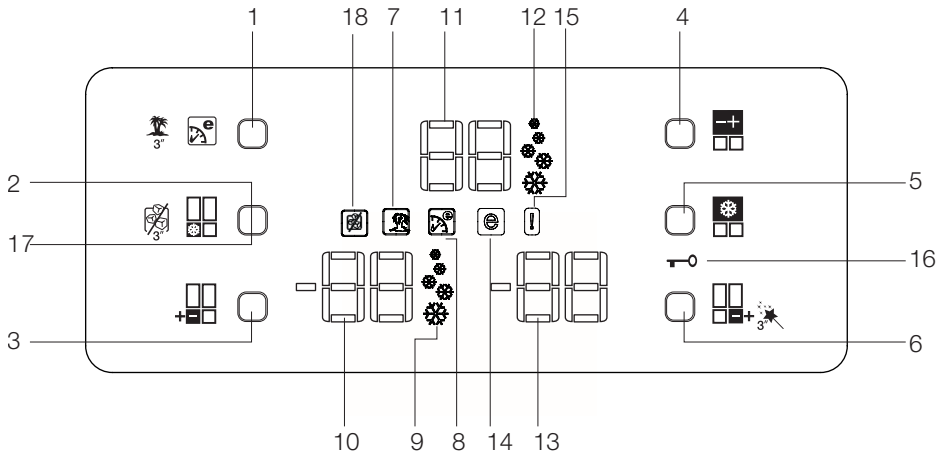


- Riposizionare la copertura del cardine e fissare con la vite.

4 Utilizzo del frigorifero

Pannello dei comandi

Questo pannello con indicatori touch-control consente di impostare la temperatura senza aprire lo sportello del frigorifero. Basta toccare il tasto apposito con un dito per impostare la temperatura.



1. Tasto Eco Extra/Assenza
2. Tasto Congelamento rapido / Ice Off
3. Tasto impostazione temperatura scomparto freezer
4. Indicatore impostazione temperatura scomparto frigo
5. Tasto raffreddamento veloce
6. Tasto impostazione temperatura scomparto conservazione Flexi Zona
7. Indicatore funzione vacanza
8. Indicatore funzione Eco Extra
9. Indicatore funzione congelamento rapido
10. Indicatore temperatura scomparto freezer
11. Indicatore temperatura scomparto frigo
12. Indicatore funzione congelamento rapido
13. Indicatore temperatura scomparto conservazione Flexi Zona
14. Indicatore modalità risparmio
15. Indicatore stato errore
16. Indicatore key lock
17. Tasto funzione Ice off
18. Indicatore funzione Ice off

Le illustrazioni contenute in questa guida sono schematiche e potrebbero non corrispondere esattamente al prodotto in uso. Se le parti in oggetto non sono incluse nel prodotto acquistato, significa che sono da intendersi per altri modelli.

1. Tasto Eco Extra/Assenza

Premere brevemente questo tasto per attivare la funzione Eco Extra. Tenere premuto questo tasto per 3 secondi per attivare la funzione assenza. Premere di nuovo questo tasto per disattivare la funzione selezionata.

2. Tasto congelamento rapido

Premere brevemente questo tasto per attivare la funzione di congelamento rapido. Premere di nuovo questo tasto per disattivare la funzione selezionata.

3. Tasto impostazione temperatura scomparto freezer

Premere questo tasto per impostare la temperatura dello scomparto freezer rispettivamente su -18, -20, -22, -24, -18... Premere questo tasto per impostare la temperatura desiderata per lo scomparto freezer.

4. Indicatore impostazione temperatura scomparto frigo

Premere questo tasto per impostare la temperatura dello scomparto frigo rispettivamente su 8, 6, 4, 2, 8.... Premere questo tasto per impostare la temperatura desiderata per lo scomparto frigo..

5. Tasto raffreddamento veloce

Premere brevemente questo tasto per attivare la funzione raffreddamento veloce. Premere di nuovo questo tasto per disattivare la funzione selezionata.

6. Tasto impostazione temperatura scomparto conservazione Flexi Zona

Si può impostare lo scomparto conservazione Flexi Zona come freezer o refrigerante. Tenere premuto questo tasto per 3 secondi per impostare lo scomparto conservazione Flexi Zona come freezer o per raffreddamento. Questo scomparto è impostato come scomparto freezer in fabbrica.

Se lo scomparto conservazione Flexi Zona è impostato come freezer, la temperatura dello scomparto conservazione Flexi Zona cambia in -18, -20, -22, -24, -18... rispettivamente, ad ogni pressione del tasto. Se lo scomparto conservazione Flexi Zona è impostato come refrigeratore, la temperatura dello scomparto conservazione Flexi Zona cambia in -6, 0, 2, 4, 6, 8, 10... rispettivamente, ad ogni pressione del tasto.

7. Indicatore funzione vacanza

Indica che la funzione vacanza è attiva. Se questa funzione è attiva, “- -“ compare sull'indicatore dello scomparto frigo e non viene eseguito alcun raffreddamento nello scomparto stesso. Gli altri scomparti saranno raffreddati secondo la temperatura impostata.

Premere il tasto apposito di nuovo per disattivare questa funzione.

8. Indicatore funzione Eco Extra

Indica che la funzione Eco Extra è attiva. Se questa funzione è attiva, il frigorifero automaticamente rileva i periodi di minore uso e sarà impostato il raffreddamento a risparmio energetico in tali periodi. L'indicatore risparmio sarà attivo con il raffreddamento a risparmio energetico. Premere il tasto apposito di nuovo per disattivare questa funzione.

9. Indicatore funzione congelamento rapido

Indica che la funzione di congelamento rapido è attiva. Usare questa funzione quando si ripongono alimenti freschi nello scomparto freezer o quando si ha bisogno di ghiaccio. Quando questa funzione è attiva, il frigo funziona per sei ore senza interruzione.

Premere il tasto apposito di nuovo per disattivare questa funzione.

10. Indicatore temperatura scomparto freezer

Indica la temperatura impostata per lo scomparto freezer.

11. Indicatore temperatura scomparto frigo

Indica la temperatura impostata per lo scomparto frigo.

12. Indicatore funzione congelamento rapido

Indica che la funzione di congelamento rapido è attiva. Usare questa funzione quando si ripongono nello scomparto frigo alimenti freschi o quando si ha bisogno di raffreddare rapidamente gli alimenti. Quando questa funzione è attiva, il frigo funziona per due ore senza interruzione.

Premere il tasto apposito di nuovo per disattivare questa funzione.

13. Indicatore temperatura scomparto conservazione Flexi Zona

Indica la temperatura impostata per lo scomparto conservazione Flexi Zona.

14. Indicatore modalità risparmio

Indica che il frigorifero è in funzione in modalità a risparmio energetico. Temperatura scomparto freezer
Questo indicatore sarà attivo se la funzione è impostata su -18 o se il raffreddamento a risparmio energetico è attivo grazie alla funzione Eco-Extra.

15. Indicatore stato errore

Se il frigo non raffredda in modo adeguato o se c'è un guasto ai sensori, questo indicatore sarà attivato. Quando questo indicatore è attivo, l'indicatore della temperatura dello scomparto freezer visualizza "E" e l'indicatore della temperatura dello scomparto frigo visualizza numeri come "1,2,3...". Questi numeri sull'indicatore forniscono informazioni sull'errore al personale dell'assistenza.

16. Indicatore key lock

Usare questa funzione se non si desidera cambiare l'impostazione della temperatura del frigo. Premere il tasto di raffreddamento veloce e il tasto di impostazione della temperatura dello scomparto conservazione Flexi Zona contemporaneamente per 3 sec. per attivare questa funzione.

Premere i tasti appositi di nuovo per disattivare questa funzione.

17. Tasto funzione Ice-off

Per arrestare la formazione del ghiaccio, premere per 3 secondi il tasto funzione ice-off. Quando si seleziona l'annullamento del ghiaccio, non viene inviata acqua alla scatola del ghiaccio. Nonostante ciò, del ghiaccio potrebbe essere rimasto nella scatola del ghiaccio che potrebbe essere estratta. Per riavviare la formazione del ghiaccio, il tasto ice-off deve essere premuto per 3 secondi.

18. Indicatore funzione Ice-off

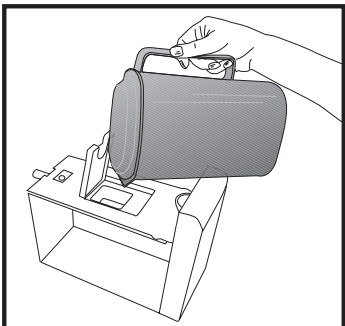
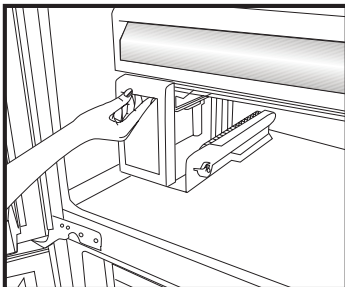
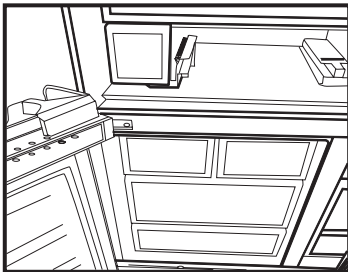
Se non si vuole ottenere ghiaccio dal frigorifero, bisogna usare questa funzione. Si può usare questa funzione premendo il tasto funzione ice-off per 3 secondi.

Allarme di apertura sportello:

Se la porta dello scomparto frigo o dello scomparto conservazione **Flexi Zona** resta aperta per almeno 1 minuti, si attiva l'allarme sonoro pertinente. Basta premere un pulsante sull'indicatore o chiudere lo sportello aperto per azzerare l'allarme.

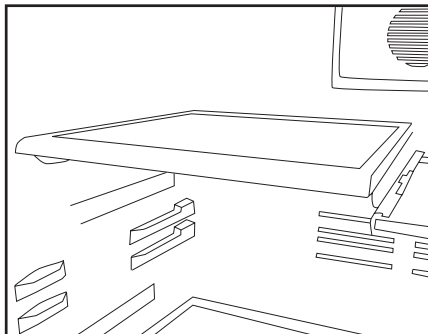
Auto Icematic

Il sistema Auto Icematic consente di ottenere facilmente il ghiaccio dal frigorifero. Rimuovere il serbatoio dell'acqua dallo scomparto frigo, riempirlo di acqua e reinstallarlo per ottenere il ghiaccio dall'icematic. Il primo ghiaccio sarà pronto in 2 ore nel cassetto per ghiaccio che si trova nello scomparto freezer. Si possono ottenere 70 cubetti di ghiaccio se il serbatoio dell'acqua è completamente pieno. Cambiare l'acqua nel serbatoio se resta nel serbatoio stesso per più di 2-3 settimane.



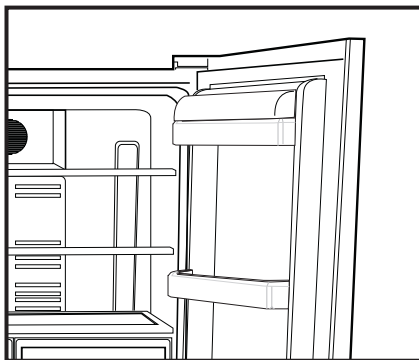
Ripiani del corpo scorrevoli con supporti posteriori

I ripiani del corpo scorrevoli con supporti posteriori possono essere spostati avanti e indietro. L'altezza può anche essere regolata rimuovendoli ed installandoli su una posizione più bassa o più alta. Sollevare il ripiano leggermente e tirare verso di sé per rimuoverlo.



Sezione burro e formaggio

Alimenti come burro, formaggio e margarina sono riposti nello scomparto dotato di coperchio.



Scomparto per le uova

- È possibile installare il porta uova sul ripiano desiderato della porta o del corpo.
- Non porre mai il porta uova nello scomparto del freezer.

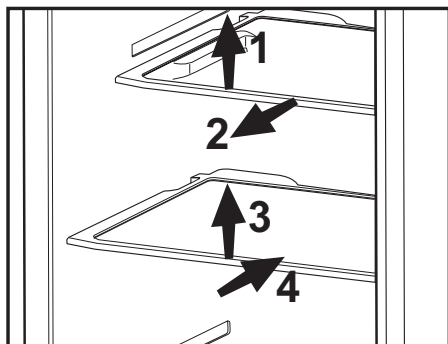
Ripiani estraibili

- Il ripiano estraibile possono essere tolti sollevandoli leggermente dalla parte anteriore e muovendoli avanti e indietro. Essi arrivano ad un punto di arresto quando vengono tirati in avanti consentendo di raggiungere gli alimenti che si trovano sul retro; quando vengono tirati leggermente verso l'alto al secondo punto di arresto, il ripiano viene rilasciato.

Il ripiano deve essere tenuto stretto dal basso per evitare che si capovolga.

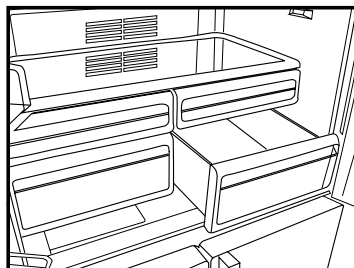
Il ripiano è posto sui binari ai lati del corpo del frigorifero portandolo ad un livello inferiore o superiore.

Il ripiano deve essere spinto all'indietro per sistemarsi completamente.



Scomparto frutta e verdura

Lo scomparto frutta e verdura del frigo è progettato in modo speciale per tenere la verdura fresca senza che perda la sua umidità. A questo scopo, si verifica una circolazione di aria fredda intorno allo scomparto frutta e verdura in generale.

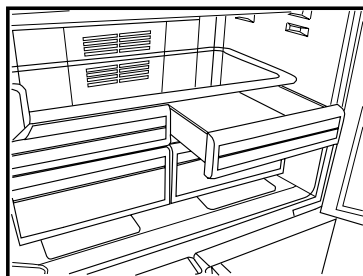


Scomparto Chiller

Gli scomparti Chiller consentono di precongelerare gli alimenti in modo che siano pronti per essere congelati.

È inoltre possibile usare questi scomparti per conservare il cibo a una temperatura leggermente inferiore a quella dello scomparto frigo.

È possibile aumentare il volume interno del frigo estraendo lo scomparto Chiller desiderato. Per farlo, tirare lo scomparto verso di sé; lo scomparto pende verso il blocco e si ferma. Questo scomparto sarà rilasciato quando lo si solleva di circa 1 cm e lo si tira verso di sé.



Sezione centrale rotante

La sezione centrale rotante ha lo scopo di impedire all'aria fredda interna al frigorifero di uscire fuori. La sezione centrale rotante aiuta l'ermeticità poiché le guarnizioni della porta premono sulla superficie della sezione centrale rotante quando le porte dello scomparto frigo sono chiuse. Un altro motivo della presenza della sezione centrale rotante è che essa aumenta il volume netto dello scomparto frigo. Le sezioni centrali standard occupano volume non utilizzabile nel frigorifero.

Scomparto conservazione Flexi Zona

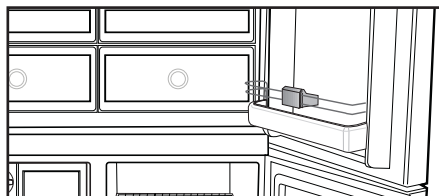
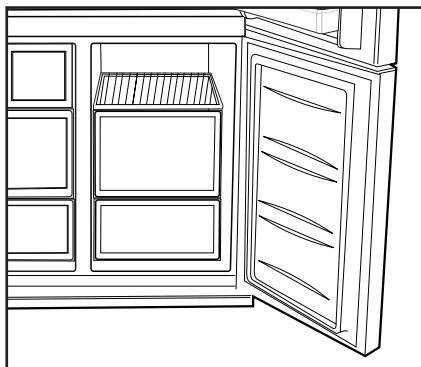
Lo scomparto conservazione Flexi Zona del frigorifero può essere usato nella modalità desiderata regolandolo sulle temperature frigo (2/4/6/8 °C) o freezer (-18/-20/-22/-24). Si può mantenere lo scomparto alla temperatura desiderata con il pulsante

di impostazione della temperatura per lo scomparto conservazione Flexi Zona. La temperatura dello scomparto conservazione Flexi Zona può essere impostata a 0 e 10 gradi in aggiunta alle temperature dello scomparto frigo e a -6 in aggiunta alle temperature dello scomparto freezer. 0 gradi si usa per conservare i prodotti di gastronomia più a lungo e -6 si usa per conservare la carne fino a 2 settimane in condizioni che rendono il taglio facile.

i La funzione di passaggio a scomparto frigo o freezer è garantita da un elemento di raffreddamento che si trova nella sezione chiusa (scomparto compressore) dietro il frigorifero. Durante il funzionamento di questo elemento, il suono è simile al rumore dei secondi di un orologio analogico. Si tratta di una cosa normale e non di un guasto.

Spia blu

I cibi immagazzinati nei cestelli che sono segnati da una spia blu continuano la loro fotosintesi grazie all'effetto delle onde della luce blu e quindi conservano la freschezza e aumentano il contenuto di vitamine.



5 Manutenzione e pulizia

- ⚠ Non usare mai gasolio, benzene o sostanze simili per scopi di pulizia.
- ⚠ È consigliato scollegare l'apparecchio prima della pulizia.
- ℹ Non utilizzare mai attrezzi appuntiti o sostanze abrasive, saponi, detergenti per la casa o cere per la pulizia.
- ℹ Utilizzare acqua tiepida per pulire l'alloggiamento del frigorifero e asciugarlo.
- ℹ Utilizzare un panno umido intriso di una soluzione composta da un cucchiaino di bicarbonato di soda e da circa mezzo litro di acqua e pulire l'interno, quindi asciugare.
- ⚠ Assicurarsi che l'acqua non penetri nel quadro di comando della temperatura.
- ⚠ Se il frigorifero non viene usato per un lungo periodo di tempo, scollegare il cavo di alimentazione, rimuovere tutti gli alimenti dal suo interno, pulirlo e lasciare la porta aperta.
- ℹ Controllare le guarnizioni della porta periodicamente per garantire che siano pulite e che non siano presenti particelle di cibo.
- ℹ Per rimuovere il vassoio dello sportello, rimuovere tutto il contenuto e spingere semplicemente il vassoio verso l'alto.

Protezione delle superfici di plastica

- ℹ Non inserire oli liquidi o piatti cotti in olio nel frigorifero se in contenitori non sigillati poiché questi possono danneggiare le superfici in plastica del frigorifero. In caso di fuoriuscita di olio sulle superfici in plastica, pulire e asciugare le parti della superfici con acqua tiepida.

6 Soluzioni consigliate per i problemi

Prima di chiamare il servizio assistenza, rivedere la lista precedente. Si risparmierà tempo e denaro. Questa lista comprende frequenti reclami che non derivano da difetti di lavorazione o dai materiali utilizzati. Alcune delle funzioni descritte qui potrebbero non esistere nel proprio prodotto.

Il frigorifero non funziona
<ul style="list-style-type: none">• Il frigorifero è correttamente collegato alla corrente? Inserire la spina nella presa a muro.• Il fusibile della presa a cui è collegato il frigorifero è funzionante o il fusibile principale è saltato? Controllare il fusibile.
Condensa sullo scomparto della parete del frigorifero. (MULTI ZONA, CONTROLLO RAFFREDDAMENTO e FLEXI ZONA)
<ul style="list-style-type: none">• Ambiente in condizioni molto fredde. Apertura e chiusura frequente della porta• Ambiente in condizioni molto umide Conservazione del cibo contenente liquidi in contenitori aperti. Porta lasciata aperta.• Portare il termostato a temperatura inferiore.• Diminuire il tempo di apertura della porta o aprirla meno frequentemente.• Coprire il cibo contenuto in contenitori aperti con materiale adatto.• Asciugare la condensa con un panno asciutto e controllare se continua.
Il compressore non funziona
<ul style="list-style-type: none">• La protezione termica del compressore è inattiva in caso di mancanza di corrente o di mancato collegamento alla presa, se il sistema refrigerante non è ancora stato regolato.• Il frigorifero comincerà a funzionare dopo circa 6 minuti. . Chiamare il servizio assistenza se il frigorifero non inizia a funzionare al termine di questo periodo.• Il frigorifero è nel ciclo di sbrinamento. Si tratta di una cosa per un frigorifero con sbrinamento completamente automatico. Il ciclo di sbrinamento si verifica periodicamente.• L'elettrodomestico non è collegato alla presa. Accertarsi che la spina sia inserita in modo corretto nella presa.• Le regolazioni di temperatura sono eseguite correttamente? Vi è una mancanza di alimentazione. Chiamare il fornitore di energia.

Il freezer funziona frequentemente o per lunghi periodi.

- Il nuovo frigorifero è più grande del precedente. Ciò è abbastanza normale. I grandi frigoriferi lavorano per lunghi periodi di tempo.
- La temperatura ambiente può essere alta. Questo è abbastanza normale.
- Il frigorifero è stato collegato alla presa di recente o è stato riempito di cibo. Lo sbrinamento completo del frigorifero può durare un paio d'ore.
- Grandi quantità di cibo caldo sono state recentemente inserite. I cibi caldi devono essere raffreddati fino alla temperatura ambiente prima di essere riposti nel frigorifero.
- La porta del freezer rimane aperta per un lungo periodo o le porte sono state aperte di frequente. L'aria tiepida entrata nel frigorifero ne provoca il funzionamento per un periodo più lungo. Aprire le porte meno frequentemente.
- La porta del frigorifero o del freezer è stata lasciata aperta. La/e porta/e non si chiude/chiodono.
- Il frigo è regolato a temperatura molto bassa. Regolare la temperatura del frigorifero ad un livello più alto e attendere fino a che la stessa sia acquisita.
- La chiusura della porta del frigorifero o del freezer può essere usurata, rotta o non inserita in modo appropriato. Pulire o sostituire la guarnizione. Guarnizioni rotte o danneggiate provocano il funzionamento del frigo per periodi più lunghi per mantenere la temperatura corrente.

La temperatura ambiente è molto bassa mentre la temperatura del frigorifero è sufficiente.

- Il frigo è regolato a temperatura molto bassa. Regolare la temperatura ad un livello più alto e controllare.

La temperatura ambiente è molto bassa mentre la temperatura del freezer è sufficiente.

- Il frigorifero è regolato a temperatura molto bassa. Regolare la temperatura ad un livello più alto e controllare.

Il cibo che è nei cassetti dello scomparto frigo si sta congelando.

- Il frigorifero è regolato a temperatura molto bassa. Regolare la temperatura ad un livello più alto e controllare.

La temperatura del frigo o freezer è molto alta.

- Il frigorifero è regolato a temperatura molto alta. La regolazione del frigorifero provoca effetti sulla temperatura del freezer. Cambiare la temperatura di frigo o freezer fino a che essa non raggiunge un livello sufficiente.
- Porta lasciata aperta. Chiudere completamente la porta.
- Grandi quantità di cibo caldo sono state recentemente inserite. Attendere fino a che il frigorifero o freezer non raggiungono la temperatura desiderata.
- Il frigorifero è stato collegato alla presa di recente. Lo sbrinamento completo del frigorifero ha bisogno di tempo a causa delle dimensioni dello stesso.

Dal frigorifero si sente un rumore simile al suono dei secondi di un orologio analogico.

- Questo rumore deriva dalla elettrovalvola del frigorifero. L'elettrovalvola funziona allo scopo di assicurare il passaggio del refrigerante attraverso lo scomparto, che può essere regolato per ottenere temperature da raffreddamento o congelamento ed eseguire le funzioni di raffreddamento. Si tratta di una cosa normale e non di un guasto.

Il rumore aumenta quando il frigorifero sta lavorando.

- Le caratteristiche di performance operativa del frigorifero possono cambiare secondo i cambiamenti della temperatura ambiente. Si tratta di una cosa normale e non di un guasto.

Vibrazioni o rumore.

- Il pavimento non è orizzontale o è debole. Il frigorifero ondeggia quando si sposta lentamente. Accertarsi che il pavimento sia in piano, forte e in grado di sopportare il frigorifero.
- Il rumore potrebbe essere provocato dagli oggetti nel frigorifero. Tali oggetti devono essere rimossi dalla parte alta del frigorifero.

Ci sono rumori come gocciolamenti o spruzzo di liquidi.

- Il flusso di liquido e gas si verifica secondo i principi operativi del frigorifero. Si tratta di una cosa normale e non di un guasto.

C'è un rumore come vento che soffia.

- Gli attivatori di aria (ventole) si usano per consentire al frigorifero di raffreddare in modo efficiente. Si tratta di una cosa normale e non di un guasto.

Condensa sulla parete interna del frigorifero.

- Il clima caldo/umido aumenta il ghiaccio e la condensa. Si tratta di una cosa normale e non di un guasto.
- Le porte sono aperte. Verificare che gli sportelli siano completamente chiusi.
- Le porte sono state aperte per un lungo periodo, o le porte sono state aperte di frequente. Aprire le porte meno frequentemente

Umidità al di fuori del frigorifero o tra le porte.

- Il clima è umido. Ciò è abbastanza normale in climi umidi. Al diminuire dell'umidità, la condensa scompare.

Odore cattivo dentro al frigorifero.

- L'interno del frigorifero deve essere pulito. Pulire l'interno con una spugna, acqua tiepida o carbonata.
- Alcuni contenitori possono provocare odori. Usare contenitori diversi o marche diverse.

La/e porta/e non si chiude/chiudono.

- Il cibo impedisce la chiusura della porta. Sostituire le confezioni che ostruiscono la porta.
- Probabilmente il frigo non è completamente verticale sul pavimento e può ondeggiare quando viene spinto leggermente. Regolare le viti di elevazione.
- Il pavimento non è orizzontale o forte. Accertarsi che il pavimento sia in piano, forte e in grado di sopportare il frigorifero.

Gli scomparti frutta e verdura sono bloccati.

- Il cibo potrebbe toccare il tetto del cassetto. Risistemare il cibo nel cassetto.

Lue tämä käyttöopas ensin!

Hyvä asiakas,

toivomme, että nykyaikaisissa tuotantolaitoksissa valmistamamme ja erittäin huolellisella laadunvalvonnalla tarkastettu tuote toimii käytössäsi mahdollisimman tehokkaasti.

Tämän varmistamiseksi toivomme, että luet huolellisesti koko käyttöoppaan ennen jääkaapin käyttöön ottoa, ja säilytät sitä helposti saatavilla tulevaa käyttöä varten.

Tämä käyttöopas


- Auttaa käyttämään jääkaappia nopeasti ja turvallisesti.
- Lue käyttöopas ennen jääkaapin asennusta ja käyttöä.
- Noudata ohjeita, erityisesti niitä, jotka koskevat turvallisuutta.
- Säilytä käyttöopasta helposti saatavilla olevassa paikassa, sillä voit tarvita sitä myöhemmin.
- Lue myös muut tuotteen mukana tulleet asiakirjat.

Huomaa, että tämä käyttöopas voi soveltua myös muihin malleihin.

Symbolit ja niiden kuvaus

Tässä käyttöoppaassa käytetään seuraavia symboleja:

 Tärkeitä tietoja tai hyödyllisiä käyttövihjeitä.

 Varoitus hengelle ja omaisuudelle vaarallisista olosuhteista.

 Varoitus sähköjännitteestä.



Tässä tuotteessa on sähköisten ja elektronisten laitteiden jätteiden (WEEE) valikoivan lajittelun symbolimerkintä.

Tämä tarkoittaa, että tätä tuotetta pitää käsitellä Euroopan parlamentin ja neuvoston direktiivin 2002/96/EY:n mukaisesti, jotta sitä voidaan kierrättää ja purkaa minimoiden ympäristövaikutukset. Saat lisätietoja paikallisilta tai alueellisilta viranomaisilta.

Elektroniset laitteet, jotka eivät ole mukana valikoivassa lajittelussa ovat potentiaalisesti vaarallisia ympäristölle ja ihmisen terveydelle, koska ne sisältävät vaarallisia aineita.

1 Jääkaappi 3

2 Tärkeitä turvallisuusvaroituksia 4

Käyttötarkoitus	4
Laitteet, joissa on vesiautomaatti	6
Lasten turvallisuus	6
HCA-varoitus	6
Energian säästötoimet	7
Suosituksset tuoreruokaosastolle	7

3 Asennus 8

Valmistelu	8
Jääkaapin kuljetuksessa huomioitavat asiat	8
Ennen jääkaapin käyttöä	9
Sähköliitännät	9
Pakkauksen hävittäminen	9
Vanhan jääkaapin hävittäminen	9
Sijoittaminen ja asennus	10
Lattiatasapainon säätö	10
Yläoven raon säätäminen	11

4 Jääkaapin käyttäminen 12

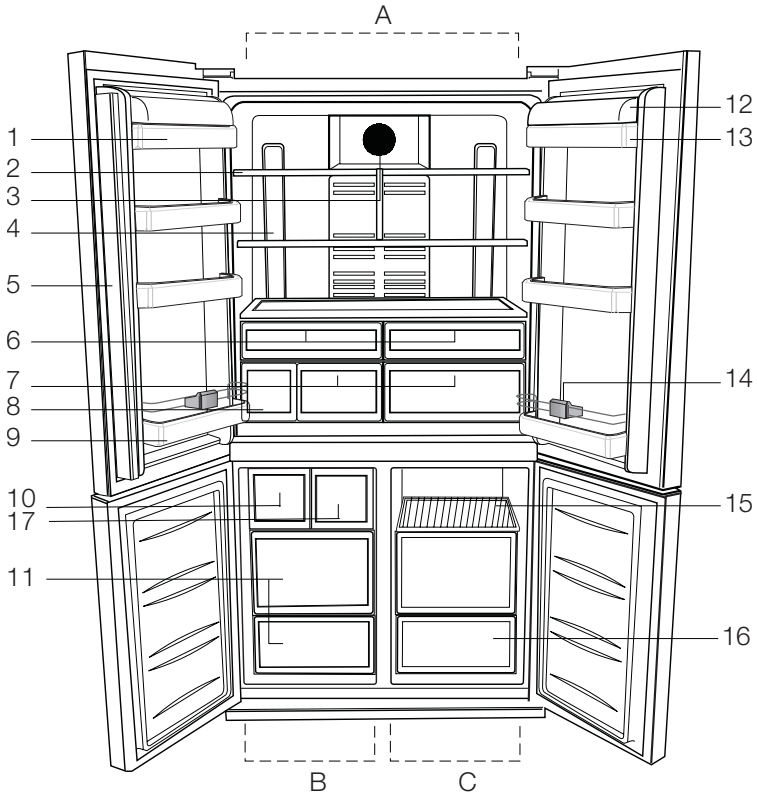
Meijerituoteosasto	16
Liukuvat hyllyt	17
Kananmunalokero	17
Vihanneslokero	17
Jäähdytyslokero	17
Pyörivä keskiosa	18
Fleksialueen säilytyslokero	18
Sininen valo	18

5 Ylläpito ja puhdistus 19

Muoviosien suojelu	19
--------------------------	----

6 Suositellut ongelmanratkaisut 20

1 Jääkaappi



- | | | | |
|----|-------------------------------------|-----|-------------------------------|
| A- | Jääkaappilokero | 9- | Pullohylly |
| B- | Pakastelokero | 10- | Jääpalakone |
| C- | Fleksialue | 11- | Pakasteiden säilytyslokero |
| 1- | Jääkaappilokeron ovihyllyt | 12- | Voi- ja juustohyllyn kansi |
| 2- | Jääkaappilokeron säädettävät hyllyt | 13- | Voi- ja juustohyllyt |
| 3- | Hajauttajan kansi | 14- | Pullonpidin |
| 4- | Jääkaappivalo | 15- | Säilytysosastot |
| 5- | Pyörivä keskiosa | 16- | Fleksialueen lokero |
| 6- | Jäähdytyslokero | 17- | Jäähdytysosaston vetolaatikko |
| 7- | Vihanneslokero | | |
| 8- | Vesisäiliö | | |

i Tämän ohjekirjan kuvitus on kaavakuviin perustuvaa eikä se ehkä vastaa täysin todellista tuotetta. Jos jokin osa puuttuu ostamastasi tuotteesta, kuvaus koskee muita malleja.

2 Tärkeitä turvallisuusvaroituksia

Tutustu seuraaviin ohjeisiin. Näiden ohjeiden noudattamatta jättäminen saattaa aiheuttaa loukkaantumisen tai aineellisia vahinkoja. Muuten kaikki takuu- ja käyttövarmuusvastuut mitätöityvät. Ostamasi laitteen käyttöikä on 10 vuotta. Tämä on myös aika, jonka kuluessa laitteen toimintaan kuvatulla tavalla tarvittavia varaosia on saatavana.

Käyttötarkoitus

Tämä tuote on suunniteltu

- sisätiloihin ja suljettuihin tiloihin kuten koteihin,
- suljettuihin työskentely-ympäristöihin, kuten myymälöihin ja toimistoihin,
- suljettuihin majoitustiloihin kuten maataloilille, hotelleihin ja pensionaatteihin.
- Tuotetta ei saa käyttää ulkona.

Yleinen turvallisuus

- Kun haluat hävittää/romuttaa laitteen, suosittelemme ottamaan yhteyttä valtuutettuun huoltoon vaadittavien tietojen ja valtuutettujen tahojen selville saamiseksi.
- Ota yhteys valtuutettuun huoltoon kaikissa jääkaappiin liittyvissä kysymyksissä ja ongelmissa. Älä puutu tai anna kenenkään muun puuttua jääkaapin huoltoon ilmoittamatta valtuutettuun huoltoon.
- Tuotteet joissa on pakastusosasto: Älä laita jäätelöä tai jääkuutioita suuhusi heti otettuasi ne pakastinosastosta! (Se voi aiheuttaa suuhun paleltuman.)

- Tuotteet joissa on pakastusosasto: Älä laita pulloitettuja tai tölkitettyjä nesteitä pakastinosastoon. Ne voivat pakastettaessa särkyä.
- Älä kosketa käsin pakastettua ruokaa, se voi tarttua käteesi.
- Irrota jääkaappi verkkovirrasta ennen puhdistamista tai sulattamista.
- Höyryä ja höyrystyviä puhdistusaineita ei saa koskaan käyttää jääkaapin puhdistuksessa ja sulatuksessa. Höyry voi tässä tapauksessa päästä kosketuksiin sähköosien kanssa ja aiheuttaa oikosulun tai sähköiskun.
- Älä koskaan käytä jääkaapin osia, kuten ovea, tukena tai askelmana.
- Älä käytä sähkölaitteita jääkaapin sisällä.
- Älä vahingoita poraamalla tai leikkaamalla osia, joissa jäähdytysaine kiertää. Jäähdytysainetta voi suihkuta ulos, kun haihduttimen kaasukanava, johdon jatke tai pinnoite puhkaistaan, ja se voi aiheuttaa ihon ärsytystä ja silmävahinkoja.
- Älä peitä tai tuki millään materiaalilla jääkaapin tuuletusaukkoja.
- Vain valtuutetut henkilöt saavat korjata sähkölaitteita. Epäpätevän henkilön tekemät korjaukset voivat aiheuttaa vaaran käyttäjälle.
- Vian ilmetessä tai jääkaappia huollettaessa tai korjattaessa sammuta virta joko kääntämällä sulake pois päältä tai irrottamalla virtajohto.

- Älä vedä johdosta irrottaessasi pistokkeen.
- Säilytä väkevät alkoholijuomat tiukasti suljettuna pystyasennossa.
- Älä säilytä jääkaapissa suihkepulloja, jotka sisältävät syttyviä ja räjähtäviä aineita.
- Älä käytä sulatusprosessin nopeuttamiseen mekaanisia tai muita keinoja, joita valmistaja ei suosittele.
- Tätä laitetta ei ole tarkoitettu sellaisten henkilöiden (lapset mukaan lukien) käytettäväksi, joilla on heikentyneet fyysiset, aistimelliset tai henkiset kyvyt tai joilta puuttuu kokemusta ja tietoa, jollei heidän turvallisuudestaan vastaava henkilö valvo heitä ja opasta heitä laitteen käytössä.
- Älä käytä rikkoutunutta jääkaappia. Jos epäilet vikaa, ota yhteys huoltoedustajaan.
- Jääkaapin sähköturvallisuus taataan vain, jos kodin maadoitusjärjestelmä on standardien mukainen.
- Laitteen altistaminen sateelle, lumelle, auringolle ja tuulelle on vaarallista sähköturvallisuuden kannalta.
- Ota yhteys valtuutettuun huoltoon, jos sähköjohto on vahingoittunut, jotta vältetään vaarat.
- Älä koskaan liitä jääkaappia pistorasiaan asennuksen aikana. Se voi aiheuttaa vaaran, joka voi johtaa kuolemaan tai vakavaan vammaan.
- Tämä jääkaappi on tarkoitettu pelkästään elintarvikkeiden säilytykseen. Sitä ei saa käyttää mihinkään muihin tarkoituksiin.
- Tekniset tiedot sisältävä tyypikilpi sijaitsee jääkaapin sisällä vasemmalla seinällä.
- Älä liitä jääkaappia sähkönsäästöjärjestelmiin. Ne voivat vahingoittaa jääkaappia.
- Jos jääkaapissa palaa sininen valo, älä katso sitä optisilla laitteilla.
- Odota käsin ohjattavan jääkaapin kohdalla vähintään 5 minuuttia ennen jääkaapin käynnistämistä sähkökatkon jälkeen.
- Tämä käyttöopas tulee luovuttaa uudelle omistajalle tuotteen mukana, jos tuote vaihtaa omistajaa.
- Vältä vahingoittamasta virtajohtoa, kun siirrät jääkaappia. Johdon taiputtaminen saattaa aiheuttaa tulipalon. Älä sijoita painavia esineitä sähköjohdon päälle. Älä kosketa pistoketta märin käsin, kun liität tuotteen.
- Älä kytke jääkaappia pistorasiaan, jos sähköliitäntä on löysä.
- Vettä ei saa turvallisuuden vuoksi koskaan suihkuttaa suoraan tuotteen sisä- tai ulkoosiin.
- Älä suihkuta lähellä jääkaappia syttyviä aineita, kuten propaanikaasua, sillä se aiheuttaa tulipalo- ja räjähdysvaaran.
- Älä aseta vettä sisältäviä astioita jääkaapin päälle, sillä sellainen voi aiheuttaa sähköiskun tai tulipalon.
- Älä täytä jääkaappia liian suurella elintarvikemäärällä. Jos jääkaappi on ylikuormitettu, se saattaa kaatua ja vahingoittaa sinua, ja rikkoo jääkaapin ovea avattaessa. Älä aseta esineitä jääkaapin päälle, sillä ne saattavat pudota jääkaapin ovea avatessa tai sulkiessa.

- Sellaisia tuotteita, jotka vaativat tarkan lämpötilan säädön (esim. rokotteet, lämpöherkät lääkkeet, tieteellinen materiaali jne.), ei tule säilyttää jääkaapissa.
- Jos jääkaappia ei käytetä pitkään aikaan, se on irrotettava verkkovirrasta. Mahdollinen ongelma sähköjohdossa saattaa aiheuttaa tulipalon.
- Sähköpistokkeen kärki on puhdistettava säännöllisesti. Se voi muuten aiheuttaa tulipalon.
- Jääkaappi saattaa siirtyä, jos säädettäviä jalkoja ei ole kiinnitetty oikein lattiaan. Säädettävien jalkojen kiinnittäminen lattiaan oikein voi estää jääkaappia siirtymästä.
- Kun kannat jääkaappia, älä pidä kiinni ovenkahvasta. Se saattaa silloin särkyä.
- Kun laite täytyy sijoittaa toisen jääkaapin tai pakastimen viereen, laitteiden välisen etäisyyden tulee olla vähintään 8 cm. Muuten vastakkaiset seinät saattavat hämmistyä.

Laitteet, joissa on vesiautomaatti

Vesijohdon paineen tulee olla vähintään 1 bar. Vesijohdon paineen tulee olla enintään 8 bar.

- Käytä vain juomavettä.

Lasten turvallisuus

- Jos ovesa on lukko, avain tulee pitää lasten ulottumattomissa.
- Lapsia tulee valvoa, jotta he eivät pääse leikkimään laitteella.

HCA-varoitus

Jos laite on varustettu

jäähdytysjärjestelmällä, joka sisältää R600a- kylmäainetta:

Tämä kaasu on syttyvää. Varo siksi vahingoittamasta jäähdytysjärjestelmää ja putkistoa käytön ja kuljetuksen aikana. Pidä laite erossa mahdollisista tulenlähteistä, jotka saattavat sytyttää sen tuleen. Tuuleta huone, johon laite on sijoitettu.

Ohita tämä varoitus, jos laitteen kylmäjärjestelmä sisältää R134a- kylmäainetta.

Laitteessa käytetyn kaasun tyyppi on ilmoitettu jääkaapin sisäpuolella vasemmalla seinällä olevassa tyyppikilvessä.

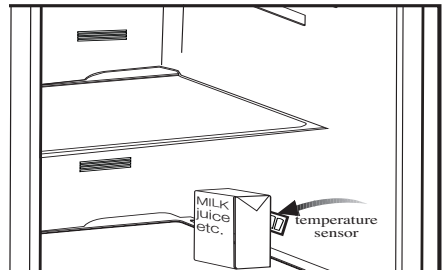
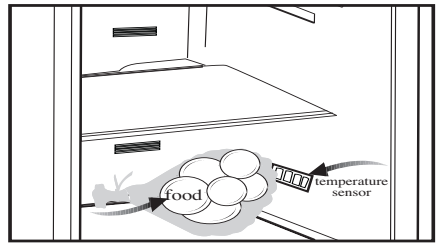
Älä hävitä laitetta polttamalla.

Energian säästötoimet


- Älä jätä jääkaapin ovea auki pitkäksi aikaa.
- Älä laita lämpimiä ruokia tai juomia jääkaappiin.
- Älä ylikuormita jääkaappia niin, että ilman kierto kaapin sisällä estyy.
- Älä asenna jääkaappia suoraan auringonpaisteeseen tai lähelle lämmönlähteitä, kuten uunit, astianpesukoneet tai lämpöpatterit.
- Pidä huoli, että säilytät elintarvikkeita suljetuissa astioissa.
- Tuotteet joissa on pakastusosasto: voit säilyttää pakastimessa mahdollisimman paljon elintarvikkeita, kun irrotat pakastimen hyllyn tai lokeron. Jääkaapissa ilmoitetut energiankulutusarvot on määritetty maksimitäytöllä irrottamalla jääkaapin hylly tai lokero. Vaaraa ei ole käytettäessä hyllyä tai vetolaatikkoa pakastettavien elintarvikkeiden mukaan.
- Pakastetun ruoan sulattaminen jääkaappiosastossa säästää sekä energiaa että säilyttää ruoan laadun.

Suosituksset tuoreruokaosastolle *VALINNAINEN

- Älä anna elintarvikkeiden joutua kosketuksiin tuoreruokaosaston lämpötila-anturin kanssa. Jotta tuoreruokaosaston lämpötila pysyy säilytykselle sopivana, anturia ei saa tukkia elintarvikkeilla.
- Älä laita kuumaa ruokaa laitteeseen.



3 Asennus

 Muista, että valmistaja ei ole vastuussa, jos käyttöoppaassa annettuja tietoja ei noudateta.

Valmistelu

- Jääkaappi on asennettava vähintään 30 cm:n etäisyydelle lämmönlähteistä, kuten keittotaso, liesi, keskuslämmitin ja uuni sekä vähintään 5 cm:n etäisyydelle sähköliedestä, eikä sitä saa sijoittaa suoraan auringonpaisteeseen.
- Jääkaapin sijoitushuoneen lämpötilan on oltava vähintään 10 °C. Jääkaapin käyttöä kylmemmissä olosuhteissa ei suositella, sillä sen tehokkuus kärsii.
- Varmista, että jääkaapin sisäpinta on puhdistettu huolellisesti.
- Jos kaksi jääkaappia asennetaan rinnakkain, niiden väliin on jätettävä tilaa vähintään 2 cm.
- Kun käytät jääkaappia ensimmäistä kertaa, huomioi seuraavat ohjeet ensimmäisten kuuden tunnin aikana.
 - Ovea ei saa avata jatkuvasti.
 - Jääkaappia on käytettävä tyhjänä ilman elintarvikkeita.
 - Älä irrota jääkaappia verkkovirrasta. Jos ilmenee itsestäsi riippumaton virtakatkos, katso varoitukset osassa "Suositellut ongelmanratkaisut".
- Alkuperäiset pakkaus- ja vaahdonmuovimateriaalit kannattaa säilyttää tulevaa kuljetusta tai siirtoa varten.

Jääkaapin kuljetuksessa huomioitavat asiat

- Jääkaappi on aina tyhjennettävä ja puhdistettava ennen kuljetusta.
- Jääkaapin hyllyt, lisävarusteet, vihanneslokerot jne., on kiinnitettävä paikoilleen kunnolla teipillä niiden suojaamiseksi tärinältä ennen uudelleenpakkausta.
- Pakkaus on sidottava vahvoilla teipeillä ja naruilla ja pakkaukseen painettuja kuljetusohjeita on noudatettava.

Älä unohda...

Kaikki kierrätetyt materiaalit ovat korvaamaton lähde luonnolle ja kansallisille resursseille.

Jos haluat osallistua pakkausmateriaalien kierrätykseen, saat lisätietoja ympäristöosastoilta tai paikallisilta viranomaisilta.

Laitteen ilmastoluokitus löytyy laitteen sisällä olevasta arvokilvestä. Se määrittelee soveliaat käyttölämpötilat seuraavassa selitetyllä tavalla.

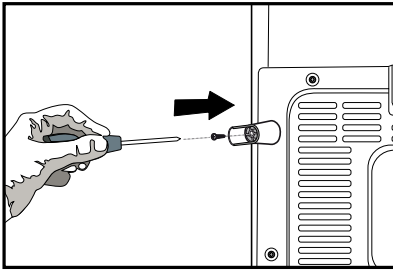
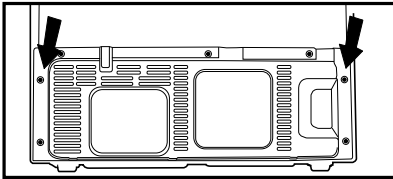
Ilmastoluokka Käyttölämpötilat

SN.....	+10 °C - 32 °C
N.....	+16 °C - 32 °C
ST.....	+18 °C - 38 °C
T.....	+18 °C - 43 °C
SN-ST.....	+10 °C - 38 °C
SN-T.....	+10 °C - 43 °C

Ennen jääkaapin käyttöä

Tarkista seuraava ennen kuin alat käyttää jääkaappia:

1. Ovanko jääkaapin sisäpinnat kuivia ja kiertääkö ilma vapaasti jääkaapin takana?
2. Aseta kaksi muovikiilaa takaosan tuuletusaukkoon kuten seuraavassa kuvassa on näytetty. Ruuvaa auki nykyiset ja käytä kiilojen kanssa samassa pussissa olevia ruuveja. Muovikiilat varmistavat vaadittavan etäisyyden jääkaapin ja seinän välillä ilman kierron takaamiseksi.



3. Puhdista jääkaapin sisäpinnat, kuten on suositeltu osassa "Ylläpito ja puhdistus".
4. Liitä jääkaapin virtajohto seinäpistorasiaan. Kun ovi avataan, kyseisen osaston sisävalo syttyy.
5. Kuulet ääntä, kun kompressorin käynnistyy. Jäähdytysjärjestelmään suljetut nesteet ja kaasut voivat myös aiheuttaa jonkin verran ääntä silloinkin, kun kompressorin ei ole käynnissä. Se on aivan normaalia.
6. Jääkaapin etureunat voivat tuntua lämpimiltä. Tämä on normaalia. Näiden alueiden on suunniteltu olevan lämpimiä kondensaation estämiseksi.

Sähköliitännät

Liitä jääkaappi maadoitettuun pistorasiaan, joka on suojattu riittävän tehokkaalla sulakkeella.

Tärkeää:

- Liitännän on oltava kansallisten säädösten mukainen.
 - Virtakaapelin pistokkeen on oltava helposti saatavilla asennuksen jälkeen.
 - Jännite ja sallittu sulakesuojaus on määritetty osassa "Tekniset tiedot".
 - Määritetyn jännitteen on oltava sama kuin sähköverkolla.
 - Liitäntään ei saa käyttää jatkoapeleita tai haaroitusrasioita.
- ⚠ Vahingoittunut virtakaapeli on jätettävä pätevän sähkötekniikon vaihdettavaksi.
- ⚠ Tuotetta ei saa käyttää ennen kuin se on korjattu! Se aiheuttaa sähköiskun vaaran!

Pakkauksen hävittäminen

Pakkausmateriaali voi olla lapsille vaarallista. Pidä pakkausmateriaali lasten ulottumattomissa tai hävitä se lajittelemalla jätteidenhävitysohjeiden mukaisesti. Älä hävitä pakkausmateriaalia kotitalousjätteen mukana.

Jääkaapin pakkaus on valmistettu kierrätettävistä materiaaleista.

Vanhan jääkaapin hävittäminen

Hävitä vanha jääkaappi aiheuttamatta vahinkoa ympäristölle.

- Voit ottaa yhteyden valtuutettuun jälleenmyyjään tai kunnalliseen jätehuoltokeskukseen saadaksesi ohjeet jääkaapin hävittämisestä.

Ennen kuin hävität jääkaapin, leikkaa virtapistoke irti, ja jos ovelta on lukitus, tee siitä toimintakyvytön, jottei siitä koidu vaaraa lapsille.

Sijoittaminen ja asennus

Varoitus: Älä koskaan liitä jääkaappia pistorasiaan asennuksen aikana. Se voi aiheuttaa vaaran, joka voi johtaa kuolemaan tai vakavaan vammaan.

Jos oviukko jääkaapin asennushuoneeseen ei ole tarpeeksi leveä, soita valtuutettuun huoltoon ja pyydä heitä irrottamaan jääkaapin ovet, jolloin se saattaa mahtua ovesta sivuttain.

1. Asenna jääkaappi paikkaan, jossa sitä on helppo käyttää.
2. Pidä jääkaappi etäällä lämmönlähteistä, kosteista paikoista ja suoralta auringonpaisteelta.
3. Jääkaapin ympärillä on oltavaa tilaa kunnolliselle tuuletukselle, jotta se toimisi tehokkaasti.

Jos jääkaappi asetetaan seinän syvennykseen, väliä kattoon ja seiniin on jätävä vähintään 5 cm.

Jos lattia on päällystetty matolla, jääkaapin on oltava koholla lattiasta vähintään 2,5 cm.

4. Aseta jääkaappi tasaisella lattiapinnalle tärinän ehkäisemiseksi.
5. Älä säilytä jääkaappia tilassa, jonka lämpötila on alle 10 °C.

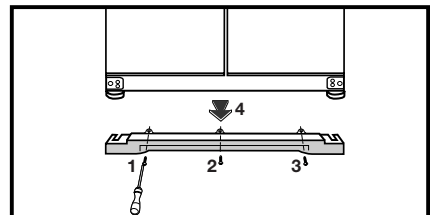
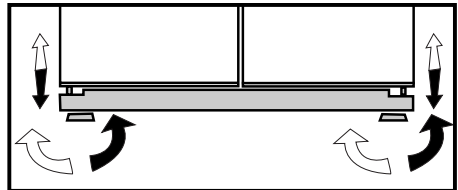
Lattiatasapainon säätö

Jos jääkaappi on epätasapainossa

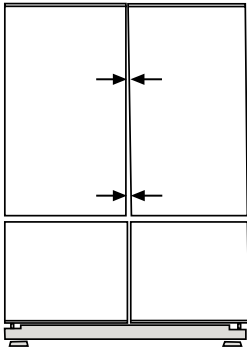
1. Tuuletuskansi irrotetaan avaamalla sen ruuvit ennen toimenpidettä, kuten alla olevassa kuvassa. Voit tasapainottaa jääkaapin kiertämällä etujalkoja, kuten kuvassa. Kulma, jossa jalka sijaitsee, laskeutuu, kun jalkaa kierretään mustan nuolen suuntaisesti ja nousee, kun sitä kierretään vastakkaiseen suuntaan. Toimenpidettä helpottaa, jos joku toinen auttaa nostamalla hieman jääkaappia.

2. Kun tasapaino-ongelma on korjattu, asenna tuuletuskansi takaisin paikoilleen ja kiinnitä ruuvit.

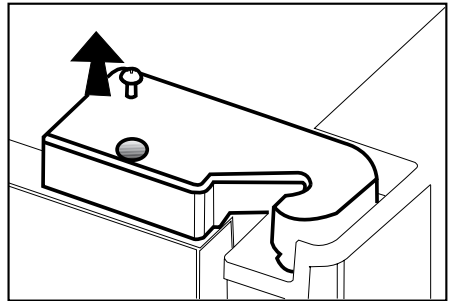
3. Irrota alatuuletuskantta kiinnittävät ruuvit ristipäärüuvitaltalla.



Yläoven raon säätäminen

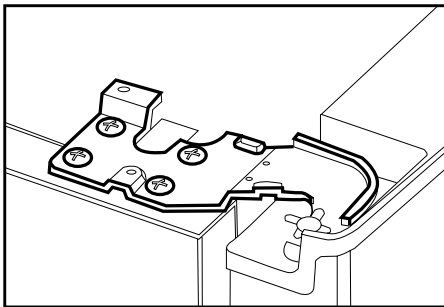


- Voit säätää rakoa jääkaapin osastojen ovien välillä, kuten kuvissa on näytetty.

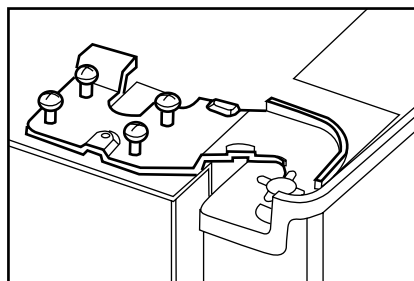
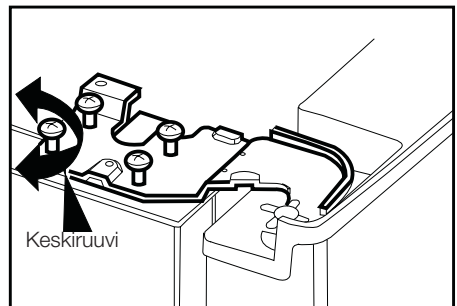


Oven hyllyjen tulee olla tyhjiä oven korkeutta säädettäessä.

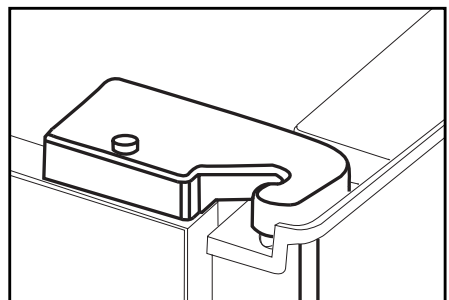
- Irrota säädettävän oven yläsaranan suojuksen ruuvi ruuvitaltalla.



- Säädä ovi haluttuun tasoon löysäämällä ruuveja.



- Kiinnitä säädetty ovi kiristämällä ruuvit oven asentoa muuttamatta.

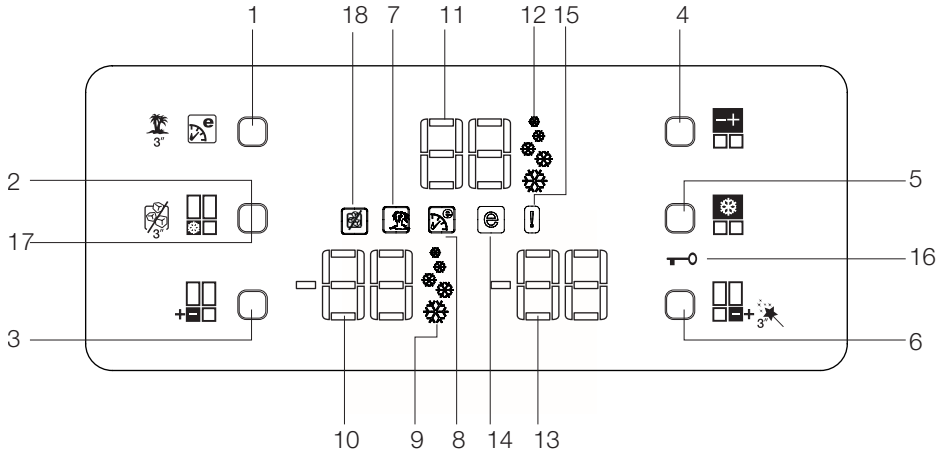


- Aseta saranan suojuksen takaisin ja kiinnitä ruuvilla

4 Jääkaapin käyttäminen

Näyttötäulu

Tällä kosketusohjatulla merkkivalopaneelilla voit asettaa lämpötilan avaamatta jääkaapin ovea. Aseta vain lämpötila koskettamalla vastaavaa painiketta sormella.



1. Ekoekstra/Lomapainike
2. Pikapakastus-/Jää pois -painike
3. Pakastinosaston lämpötilan asetuspainike
4. Jääkaappiosaston lämpötilan asetuspainike
5. Pikajähdytyspainike
6. Flexialueen säilytysosaston lämpötilan asetuspainike
7. Lomatoiminnon ilmaisin
8. Ekoekstra-ilmaisin
9. Pikapakastustoiminnon ilmaisin
10. Pakastinosaston lämpötilan ilmaisin
11. Jääkaappiosaston lämpötilan ilmaisin
12. Pikajähdytystoiminnon ilmaisin
13. Flexialueen säilytyslokeron lämpötilan ilmaisin
14. Virransäästötilan ilmaisin
15. Vikatilan ilmaisin
16. Lukituksen ilmaisin
17. Jää pois -painike
18. Jää pois -ilmaisin

i Tämän ohjekirjan kuvitus on kaavakuviin perustuvaa eikä se ehkä vastaa täysin todellista tuotetta. Jos jokin osa puuttuu ostamastasi tuotteesta, kuvaus koskee muita malleja.

1. Ekoekstra/Lomapainike

Näpäytä painiketta aktivoiaksesi Ekoekstratoiminnon. Pidä painiketta painettuna 3 sekuntia aktivoiaksesi lomatoiminnon. Aseta toiminto pois päältä painamalla painiketta uudelleen.

2. Pikapakastuspainike

Näpäytä painiketta aktivoiaksesi pikapakastustoiminnon. Aseta toiminto pois päältä painamalla painiketta uudelleen.

3. Pakastinosaston lämpötilan asetuspainike

Paina tätä painiketta asettaaksesi pakastimen lämpötilaksi joko -18, -20, -22, -24, -18 astetta. Aseta pakasteosaston lämpötila halutuksi painamalla tätä painiketta.

4. Jääkaappiosaston lämpötilan asetuspainike

Paina tätä painiketta asettaaksesi jääkaapin lämpötilaksi joko 8, 6, 4, 2, 8 ... astetta. Aseta jääkaappiosaston lämpötila halutuksi painamalla tätä painiketta.

5. Pikajäähdytyspainike

Näpäytä painiketta aktivoiaksesi pikajäähdytystoiminnon. Aseta toiminto pois päältä painamalla painiketta uudelleen.

6. Fleksialueen säilytysosaston lämpötilan asetuspainike

Voit asettaa fleksialueen säilytyslokero joko pakastimeksi tai jäähdyttimeksi. Pidä tätä painiketta painettuna 3 sekuntia asettaaksesi fleksialueen säilytyslokero joko pakastimeksi tai jäähdyttimeksi. Tämä osasto on asetettu tehtaalla pakastinosastoksi.

Jos fleksialueen säilytyslokero on asetettu pakastimeksi, fleksialueen säilytyslokero lämpötila muuttuu järjestyksessä -18, -20, -22, -24, -18... joka kerta, kun painat tätä painiketta. Jos fleksialueen säilytyslokero on asetettu jäähdyttimeksi, fleksialueen säilytyslokero lämpötila muuttuu järjestyksessä -6, 0, 2, 4, 6, 8, 10... joka kerta, kun painat tätä painiketta.

7. Lomatoiminnon ilmaisin

Osoittaa, että lomatoiminto on aktiivinen. Jos tämä toiminto on aktiivinen, jääkaappiosaston ilmaisimessa näkyy "- -", eikä jääkaappiosaston jäähdytystä suoriteta. Muut osastot jäähdytetään niille asetetun lämpötilan mukaisesti.

Aseta toiminto pois päältä painamalla vastaavaa painiketta uudelleen.

8. Ekoekstra-ilmainen

Osoittaa, että eko-ekstratoiminto on aktiivinen. Jos toiminto on aktiivinen, jääkaappi havaitsee automaattisesti vähiten käytetyt jaksot ja energiatehokas jäähdytys suoritetaan niinä aikoina. Virransäästötilan ilmainen on aktiivinen, kun energiatehokas jäähdytys suoritetaan.

Aseta toiminto pois päältä painamalla vastaavaa painiketta uudelleen.

9. Pikapakastustoiminnon ilmainen

Osoittaa, että pikapakastustoiminto on aktiivinen. Käytä toimintoa, kun asetat tuoreruokaa pakastinosastoon tai kun haluat jäitä. Toiminnon ollessa aktiivinen jääkaappi on käynnissä 6 tuntia pysähtymättä.

Aseta toiminto pois päältä painamalla vastaavaa painiketta uudelleen.

10. Pakastinosaston lämpötilan ilmainen

Osoittaa pakastinosastolle asetetun lämpötilan.

11. Jääkaappiosaston lämpötilan ilmainen

Osoittaa jääkaappiosastolle asetetun lämpötilan.

12. Pikajäähdystoiminnon ilmainen

Osoittaa, että pikajäähdystoiminto on aktiivinen. Käytä toimintoa, kun asetat tuoreruokaa jääkaappiosastoon tai kun haluat jäähdyttää ruoan nopeasti. Toiminnon ollessa aktiivinen jääkaappi on käynnissä 2 tuntia pysähtymättä.

Aseta toiminto pois päältä painamalla vastaavaa painiketta uudelleen.

13. Fleksialueen säilytyslokeron lämpötilan ilmainen

Osoittaa fleksialueen säilytyslokerolle asetetun lämpötilan.

14. Virransäästötilan ilmainen

Ilmaisee, että jääkaappi on käynnissä virransäästötilassa. Pakastinosaston lämpötila

Tämä ilmainen on aktiivinen, jos toiminnoksi on asetettu -18 tai jos energiaa säästävä jäähdytys suoritetaan eko-ekstratoiminnon vuoksi.

15. Vikatilan ilmainen

Jos jääkaappi ei jäähdy riittävästi tai jos ilmenee anturivika, tämä ilmainen aktivoituu. Kun ilmainen on aktiivinen, pakastinosaston lämpötilan ilmaisimessa näkyy "E" ja jääkaappiosaston lämpötilan ilmaisimessa näkyy numeroita kuten "1,2,3...". Nämä numerot antavat tietoja viasta huoltohenkilökunnalle.

16. Lukituksen ilmainen

Käytä tätä toimintoa, jos et halua muuttaa jääkaapin lämpötila-asetusta. Aktivoi toiminto painamalla samanaikaisesti pikajäähdytyspainiketta ja fleksialueen säilytyslokeron lämpötilan asetuspainiketta 3 sekuntia.

Aseta toiminto pois päältä painamalla vastaavia painikkeita uudelleen.

17. Jää pois -painike

Lopeta jäänmuodostus painamalla jää pois -painiketta 3 sekunnin ajan. Kun jään peruutus on valittu, vettä ei tule jäälokeroon. Tästä huolimatta hieman jäätä voi jäädä jäälokeroon, josta sitä voi ottaa. Käynnistä jäänmuodostus uudelleen painamalla jää pois -painiketta 3 sekunnin ajan.

18. Jää pois -ilmainen

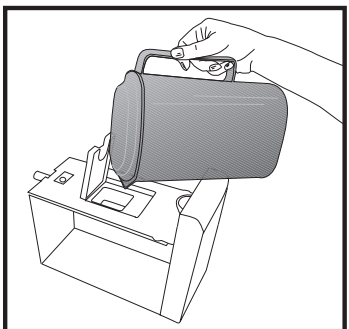
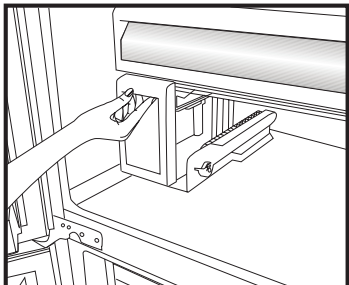
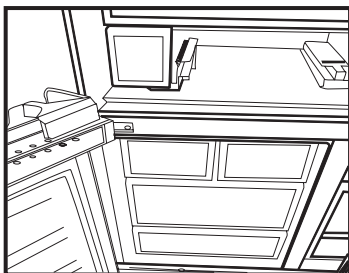
Jollei halua jääkaapista jäätä, tätä toimintoa ei tarvitse käyttää. Voit käyttää tätä toimintoa painamalla jää pois -ilmaisinta 3 sekuntia.

Ovi auki -hälytys:

Kun **fleksialueen** säilytyslokeron ovi jää auki 1 minuutiksi, ovi auki -hälytysääni aktivoituu ja kuuluu. Hiljennä hälytys painamalla mitä tahansa ilmaisimen painiketta tai sulkemalla ovi.

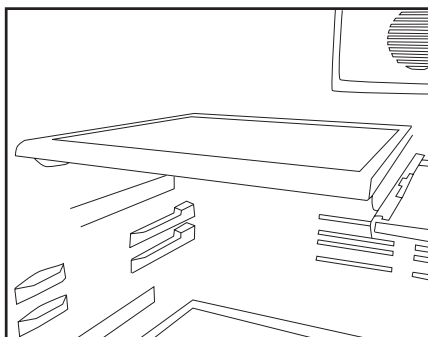
Automaattinen jääkone

Automaattisen jääkoneen avulla saat jääkaapistasi helposti jäätä. Irrota jääkaappiosaston vesisäiliö, täytä sen vedellä ja asenna se takaisin, kun haluat jäätä jääkoneesta. Ensimmäiset jäät saat 2 tunnin kuluttua pakastinosastossa sijaitsevasta jääpalalokerosta. Saat 70 jääpalaa, jos vesisäiliö on aivan täynnä. Vaihda vesisäiliön vesi jos se seisoo vesisäiliössä kauemmin kuin 2–3 viikkoa.



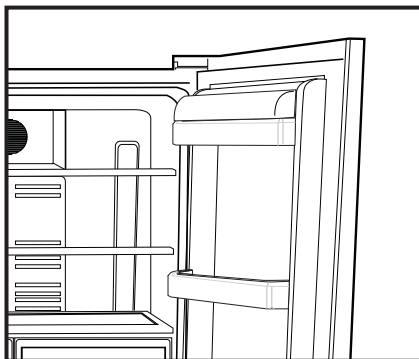
Liukuvat rungon hyllyt takaripustimilla

Liukuvia rungon hyllyjä takaripustimilla voidaan siirtää eteenpäin ja taaksepäin. Näiden hyllyjen korkeutta voi säätää irrottamalla ne ja asentamalla ne ylemmälle tai alemmalle tasolle. Irrota hylly nostamalla sitä hieman ja vetämällä itseäsi kohti.



Meijerituoteosasto

Voi, juusto ja margariini ja vastaavat elintarvikkeet säilytetään tässä kannellisessa lokerossa.



Kananmunalokero

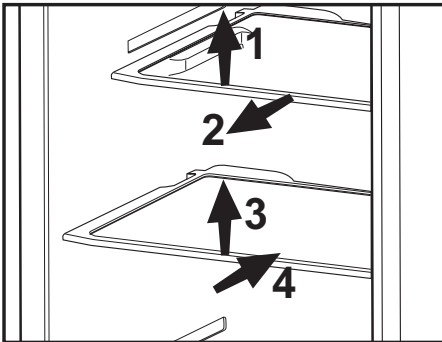
- Voit asentaa munakotelon haluttuun oven tai rungon hyllyyn.
- Älä koskaan säilytä munakotelo pakastinosastossa.

Liukuvat hyllyt

- Liukuvia hyllyjä voidaan vetää nostamalla niitä hieman reunasta ja siirtää niitä eteen- ja taaksepäin. Ne voidaan vetää pysäytyspisteeseen jolloin pääset käsiksi hyllyn takaosaan sijoitettuihin ruokiin. Kun hylly on vedetty kevyesti nostamalla toiseen pysäytyspisteeseen, hylly voidaan vapauttaa.

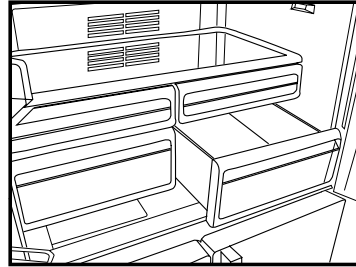
Hyllyä on kannateltava myös alapuolelta, jotta se ei kallistu nurin. Hylly siirretään jääkaapin runkoon asennetuille kiskoille nostamalla tai laskemalla sitä tason verran.

Hylly tulee työntää taakse kunnolla paikoilleen.



Vihanneslokero

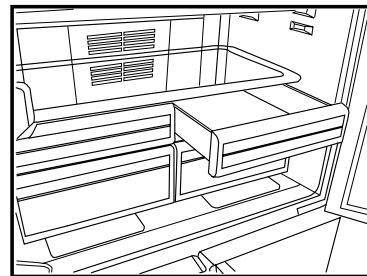
Jääkaapin vihanneslokero on suunniteltu erityisesti pitämään kasvikset tuoreina ja säilyttämään kosteutensa. Tämän vuoksi vihanneslokerossa kiertää kylmää ilmaa.



Jäähdytyslokero

Pakastettava ruoka jäähtyy jäädytyslokerossa valmiiksi pakastusta varten. Voit käyttää näitä osastoja myös ruuan säilyttämiseen jääkaappia muutamaa astetta viileämmässä lämpötilassa.

Voit lisätä jääkaapin sisätilavuutta irrottamalla minkä tahansa välipalalokeroista. Tee niin vetämällä lokeroa itseäsi kohti. Lokero liukuu vasten pysäytintä ja pysähtyy. Irrota lokero nostamalla sitä noin 1 cm ja vetämällä itseäsi kohti.

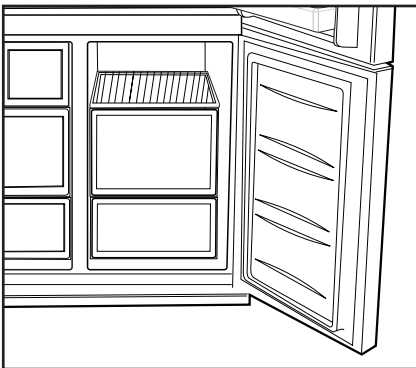


Pyörivä keskiosa

Pyörivä keskiosa on tarkoitettu estämään jääkaapin sisällä olevan kylmän ilman karkaamista ulos. Pyörivä keskiosa varmistaa tiiveyden, kun oven tiivisteet painautuvat pyörivän keskiosan pinnalle, kun jääkaappiosaston ovet on suljettu. Jääkaapin pyörivän keskiosan toinen tarkoitus on lisätä jääkaappiosaston nettotilavuutta. Normaalit keskiosat vievät jonkin verran jääkaapin käyttökelpotonta tilavuutta.

Fleksialueen säilytyslokero

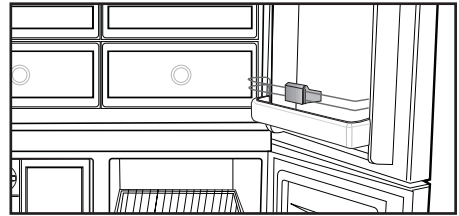
Jääkaapin fleksialueen säilytyslokeroa voi käyttää missä tahansa halutussa tilassa säätämällä se jääkaappilämpötilaan (2/4/6/8 °C) tai pakastinlämpötilaan (-18/-20/-22/-24). Voit pitää lokeroa halutussa lämpötilassa fleksialueen säilytyslokeroon lämpötilan asetuspainikkeella. Flexialueen säilytyslokeroon lämpötilan voi asettaa välille 0–10 °C astetta jääkaappilämpötilan lisäksi -6 °C pakastinosaston lämpötilan lisäksi. 0-astetta käytetään einestuotteiden säilyttämiseksi pitempään -6-astetta käytetään lihan säilyttämiseksi 2 viikkoa helposti leikattavassa tilassa.



i Jääkaappi- tai pakastinlokeroon vaihtamismekanismi toimii jäähdytuselementillä, joka sijaitsee suljetussa osastossa jääkaapin takana (kompressoriosasto). Tämän elementin käytön aikana voi kuulua joitakin sekunteja samanlainen ääni kuin analogisesta kellosta. Tämä on normaalia eikä ole vika.

Sininen valo

Sinisellä valolla valaistut vihanneslokeroon vihannekset jatkavat fotosynteesiä sinisen valon aallonpituuden vaikutuksesta ja säilyttävät siten tuoreutensa ja lisäävät vitamiinipitoisuuttaan.



5 Ylläpito ja puhdistus

- ⚠ Älä koskaan käytä puhdistamiseen bensiiniä, bentseeniä tai vastaavia aineita.
- ⚠ Suosittelemme, että irrotat laitteen verkkovirrasta ennen puhdistusta.
- ℹ Älä koskaan käytä puhdistamiseen teräviä, hankaavia välineitä, saippuaa, puhdistusainetta, pesuainetta ja vaha.
- ℹ Käytä jääkaapin sisätilojen puhdistukseen haaleaa vettä ja pyyhi kuivaksi.
- ℹ Käytä sisätilojen puhdistukseen liinaa, joka on kostutettu 1 tl ruokasoodaa ja 1/2 litraa vettä sisältävässä liuoksessa ja puristettu kuivaksi, kuivaa lopuksi.
- ⚠ Varmista, ettei vettä pääse lamppukoteloon ja muihin sähkökohteisiin.
- ⚠ Mikäli jääkaappia ei käytetä pitkään aikaan, irrota virtakaapeli pistorasiasta, poista kaikki ruuat, puhdista jääkaappi ja jätä ovi raolleen.
- ℹ Tarkista oven eristeet säännöllisesti varmistaaksesi, että ne ovat puhtaita ja vapaita ruuasta.
- ℹ Ovitelineiden irrottamiseksi poista niistä kaikki sisältö ja työnnä sitten ovitelinettä pohjasta ylöspäin.

Muoviosien suojele

- ℹ Älä laita nestemäistä öljyä tai öljyssä keitetyjä elintarvikkeita jääkaappiin avoimissa astioissa, sillä ne vahingoittavat jääkaapin muovipintoja. Jos öljyä vuotaa tai tarttuu muovipinnoille, puhdista ja huuhtele kohta heti lämpimällä vedellä.

6 Suositellut ongelmanratkaisut

Tarkista tämä luettelo, ennen kuin soitat huoltoon. Se voi säästää aikaa ja rahaa. Tämä luettelo sisältää useita valituksia, jotka eivät johdu virheellisestä työstä tai käytetystä materiaalista. Joitain tässä kuvatuista ominaisuuksista ei ehkä ole laitteessasi.

Jääkaappi ei käy
<ul style="list-style-type: none">• Onko jääkaapin virtajohto kunnolla kiinni pistorasiassa? Aseta pistoke seinäpistorasiaan.• Onko jääkaapin pistorasian sulake tai pääsulake palanut? Tarkista sulake.
Kondensaatiota jääkaappiosaston sivuseinässä. (MONIALUE, JÄÄHDYTYKSEN OHJAUS, ja JOUSTAVA ALUE)
<ul style="list-style-type: none">• Hyvin kylmä ympäristö. Oven jatkuva avaaminen ja sulkeminen. Hyvin kostea ympäristö. Nestepitoisten ruokien säilytys avoimessa astiassa. Oven jättäminen raolleen.• Termostaatin kytkeminen kylmemmälle.• Oven avoinna oloajan lyhentäminen tai käyttämällä sitä harvemmin.• Avoimissa astioissa säilytettyjen ruokien peittäminen sopivalla materiaalilla.• Pyyhi kondensoitunut vesi kuivalla liinalla ja tarkista tuleeko sitä lisää.
Kompressorin ei käy
<ul style="list-style-type: none">• Kompressorin lämpövastus työntyy ulos äkillisen virtakatkoksen sattuessa tai kun virta sammuu ja syttyy uudelleen, kun jääkaapin jäähdytysjärjestelmän jäähdytysaineenpaine ei ole vielä tasapainossa.• Jääkaappi käynnistyy noin 6 minuutin kuluttua. Soita huoltoon, jos jääkaappi ei käynnisty tässä ajassa.• Jääkaapin sulatusjakso on käynnissä. Tämä on normaalia täysautomaattisesti itsesulattavassa jääkaapissa. Sulatuskierto tapahtuu tietyin väliajoin.• Jääkaappia ei ole kytketty pistorasiaan. Varmista, että pistoke on asetettu tiukasti seinäpistorasiaan.• Onko lämpötila-asetukset tehty oikein? Sähkökatkos. Soita sähköntoimittajalle.

Jääkaappi käy alituisen tai pitkän ajan.

- Uusi jääkaappisi voi olla leveämpi kuin edellinen. Tämä on aivan normaalia. Suuret jääkaapit käyvät kauemmin.
- Huonelämpötila voi olla liian korkea. Tämä on normaalia.
- Jääkaappi on voitu kytkeä päälle äskettäin tai siihen on säilötty äskettäin ruokaa. Jääkaapin jäähtyminen oikeaan lämpötilaan voi kestää muutamia tunteja kauemmin.
- Suuri määrä ruokaa on voitu säilöä jääkaappiin äskettäin. Lämmin ruoka aiheuttaa jääkaapin käymisen pitempään, kunnes se saavuttaa turvallisen säilytyslämpötilan.
- Ovet on voitu avata äskettäin tai jätetty raolleen pitkäksi aikaa. Jääkaappiin päässyt lämmin ilma aiheuttaa jääkaapin käymisen pitemmän aikaa. Avaa ovia harvemmin.
- Pakastin- tai jääkaappiosaston ovi on voitu jättää raolleen. Tarkista onko ovet suljettu tiukasti.
- Jääkaappi on säädetty hyvin alhaiselle lämpötilalle. Säädä jääkaapin lämpötila lämpimämmäksi ja odota, kunnes haluttu lämpötila on saavutettu.
- Jääkaapin tai pakastimen oven tiiviste voi olla likainen, kulunut, rikkoutunut tai huonosti paikallaan. Puhdista tai vaihda tiiviste. Vahingoittunut, rikkoutunut tiiviste aiheuttaa jääkaapin käymisen pitempiä aikoja nykyisen lämpötilan ylläpitämiseksi.

Pakastimen lämpötila on hyvin alhainen, kun jääkaapin lämpötila on sopiva.

- Pakastin on säädetty hyvin alhaiselle lämpötilalle. Säädä pakastimen lämpötila lämpimämmäksi ja tarkista.

Jääkaapin lämpötila on hyvin alhainen, kun pakastimen lämpötila on sopiva.

- Jääkaappi on säädetty hyvin alhaiselle lämpötilalle. Säädä jääkaapin lämpötila lämpimämmäksi ja tarkista.

Jääkaappiosaston vetolaatikoissa säilytetty ruoka jäätyy.

- Jääkaappi on säädetty hyvin alhaiselle lämpötilalle. Säädä jääkaapin lämpötila lämpimämmäksi ja tarkista.

Jääkaapin tai pakastimen lämpötila on hyvin korkea.

- Jääkaappi on säädetty hyvin korkealle lämpötilalle. Jääkaapin säädöt vaikuttavat pakastimen lämpötilaan. Muuta jääkaapin tai pakastimen lämpötilaa, kunnes jääkaappi tai pakastin saavuttaa riittävän tason.
- Ovi on voitu jättää raolleen. Sulje ovi kokonaan.
- Suuri määrä ruokaa on voitu säilöä jääkaappiin äskettäin. Odota, kunnes jääkaappi tai pakastin saavuttaa halutun lämpötilan.
- Jääkaapin virtajohto on voitu liittää pistorasiaan äskettäin. Jääkaapin jäähtyminen kokonaan kestää kauemmin sen koon vuoksi.

Jääkaapista kuuluu samantapaista ääntä kuin analogisen kellon sekuntiviisarin tikitys.

- Tämä äänikuuluu jääkaapin magneettiventtiilistä. Magneettiventtiilin toiminnan tarkoitus on varmistaa jäähdytysaineen kulku lokeroon, ja sitä voidaan säätää jäähdytys- tai jäätymislämpötilojen säätöön ja jäähdystoimintojen suorittamiseen. Tämä on normaalia eikä ole vika.

Käyntiääni voimistuu, kun jääkaappi käy.
<ul style="list-style-type: none"> Jääkaapin käyttöteho saattaa muuttua ympäristön lämpötilan muutosten mukaan. Se on normaalia eikä ole vika.
Tärinä tai käyntiääni.
<ul style="list-style-type: none"> Lattia ei ole tasainen tai se on heikko. Jääkaappi huojuu, kun sitä siirretään hitaasti. Varmista, että lattia on tasainen, luja, ja että se kestää jääkaapin painon. Melu saattaa johtua jääkaappiin laitetuista kohteista. Tällaiset kohteet tulisi poistaa jääkaapin yläosasta.
Esiinty nesteen vuotamisen tai suihkuamisen kaltaisia ääniä.
<ul style="list-style-type: none"> Neste- ja kaasuvuotoja ilmenee jääkaapin käyttöperiaatteiden mukaisesti. Se on normaalia eikä ole vika.
Kuuluu tuulen huminan kaltaista ääntä.
<ul style="list-style-type: none"> Ilma-aktivaattoreita (tuulettimia) käytetään jääkaapin jäähdyttämiseen tehokkaasti. Se on normaalia eikä ole vika.
Kondensaatio jääkaapin sisäseinissä.
<ul style="list-style-type: none"> Kuuma ja kostea sää lisää jäätymistä ja kondensaatiota. Se on normaalia eikä ole vika. Ovet ovat raollaan. Varmista, että ovet on suljettu kokonaan. Ovia on voitu avata jatkuvasti tai ne on voitu jättää auki pitkäksi aikaa. Avaa ovea harvemmin.
Kosteutta esiintyy jääkaapin ulkopinnoilla tai ovien välissä.
<ul style="list-style-type: none"> Sää voi olla kostea. Tämä on aivan normaalia kostealla säällä. Kun kosteutta on vähemmän, kondensaatio häviää.
Paha haju jääkaapin sisällä.
<ul style="list-style-type: none"> Jääkaapin sisäpuoli on puhdistettava. Puhdista jääkaapin sisäpuoli sienellä, lämpimällä vedellä tai hiilihapollisella vedellä. Jotkut astiat tai pakkausmateriaalit voivat olla hajun aiheuttajia. Käytä erilaista säilytysastiaa tai erimerkkistä pakkausmateriaalia.
Ovi/ovet eivät mene kiinni.
<ul style="list-style-type: none"> Elintarvikepakkaukset voivat estää oven sulkeutumisen. Poista pakkaukset, jotka ovat oven esteenä. Jääkaappi ei todennäköisesti ole aivan pystysuorassa lattialla ja se voi keinua hieman siirrettynä. Säädä nostoruveja. Lattia ei ole tasainen tai kestävä. Varmista, että lattia on tasainen, ja että se kestää jääkaapin painon.
Lokerot ovat juuttuneet.
<ul style="list-style-type: none"> Elintarvikkeet voivat olla kosketuksissa lokeron katon kanssa. Järjestä ruoat uudelleen vetolaatikossa.

Läs den här bruksanvisningen först!

Kära kund!

Vi hoppas att produkten, som har producerats på en modern anläggning och genomgått de allra noggrannaste kvalitetsprocesser, kommer att erbjuda effektiv service.

Vi rekommenderar därför att du läser igenom hela bruksanvisningen noggrant innan du använder den och att du förvarar den nära till hands för framtida referens.

Den här bruksanvisningen

- Hjälper dig använda enheten på ett snabbt och säkert sätt.
- Läs bruksanvisningen innan du installerar och använder produkten.
- Följ instruktionerna, speciellt säkerhetsanvisningarna.
- Förvara bruksanvisningen på en lättåtkomlig plats där du kan hämta den senare.
- Läs även övriga dokument som tillhandahålls tillsammans med produkten.

Observera att den här bruksanvisningen även kan gälla för andra modeller.

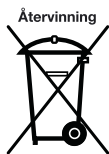
Symboler och beskrivningar för dem

Den här bruksanvisningen innehåller följande symboler:

 Viktig information eller användbara tips.

 Varning för risker för liv och egendom.

 Varning för elektrisk spänning.



Den här produkten är försedd med symbolen för källsortering av elektriskt och elektroniskt material (WEEE).

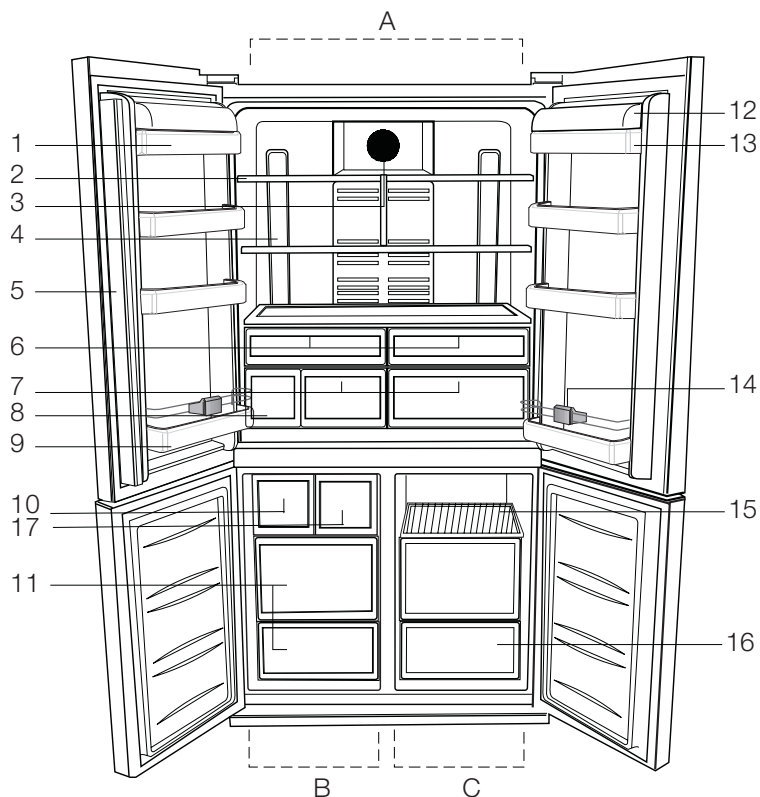
Detta innebär att produkten måste hanteras i enlighet med EU-direktivet 2002/96/EC för att återvinnas eller återanvändas och därmed minimera påverkan på miljön. För ytterligare information,

██████████ kontakta din lokala kommun.

Elektroniska produkter som inte inkluderas i källsortering är potentiellt farliga för miljön och den personliga hälsan, på grund av farliga substanser.

1 Kylskåpet	3	4 Använda kylskåpet	12
2 Viktiga säkerhetsvarningar	4	Ost- och smörhylla	16
Avsedd användning	4	Skjutbara hyllor	17
För produkter med vattenbehållare; ...	6	Ägghållare	17
Barnsäkerhet	6	Grönsakslåda	17
HCA-Varning	6	Kylfack	17
Saker att göra för att spara energi	7	Roterande mittsektion	18
Rekommendationer för förvaring av		Flexizonförvaringsfack	18
färsvaror	7	Blå lampa	18
3 Installation	8	5 Underhåll och rengöring	19
Förberedelse	8	Skydd av plastytor	19
Saker att tänka på vid transport av		6 Rekommenderade lösningar på problem	20
kylskåpet	8		
Innan du använder kylskåpet	8		
Elektrisk anslutning	9		
Avyttring av förpackningen	9		
Avyttring av ditt gamla kylskåp	9		
Placering och installation	10		
Golvbalansjustering	10		
Justera öppningen vid den övre			
dörren	11		

1 Kylskåpet



- | | | | |
|----|---------------------------------------|-----|------------------------------|
| A- | Kylfack | 9- | Flaskställ |
| B- | Frysack | 10- | Ismaskin |
| C- | Flexizon | 11- | Förvaringsfack för fryst mat |
| 1- | Dörrhyllor för kylfack | 12- | Skydd för ost- och smörhylla |
| 2- | Kylfackets justerbara hyllor för skåp | 13- | Ost- och smörhylla |
| 3- | Dimmerskydd | 14- | Flaskhållare |
| 4- | Belysningslins | 15- | Förvaringsfack |
| 5- | Roterande mittsektion | 16- | Flexizon-fack |
| 6- | Kylfack | 17- | Färskfryslåda |
| 7- | Grönsakslåda | | |
| 8- | Vattenbehållare | | |

i Bilder som förekommer i den här bruksanvisningen är exempel och överensstämmer inte exakt med din produkt. Om delar inte medföljer produkten du har köpt så gäller det för andra modeller.

2 Viktiga säkerhetsvarningar

Läs följande information. Om du underlåter att följa den här informationen kan det orsaka person- och materialskador. Annars blir alla garanti- och tillförlitlighetsåtaganden ogiltiga.

Användningstidsavgränsningen för enheten är 10 år. Det här är den period som reservdelarna krävs för att enheten ska hålla.

Avsedd användning

Den här produkten är avsedd för följande användning

- inomhus och i stängda rum, exempelvis i hemmet;
- i stängda miljöer, såsom butiker och kontor;
- i stängda inkvarteringsområden, såsom bondgårdar, hotell, pensionat.
- Denna produkt ska inte användas utomhus.

Allmän säkerhet

- När du vill avyttra produkten rekommenderar vi att du rådgör med auktoriserad kundtjänst för att få den information som krävs, samt auktoriserade organ.
- Rådfråga auktoriserad service när det gäller alla frågor och problem som är relaterade till kylskåpet. Modifiera inte kylskåpet utan att meddela auktoriserad kundtjänst.
- För produkter med frysfack; Ät inte glass och iskuber direkt efter att du har tagit ut dem ur frysfacket! (Det kan leda till köldskador i munnen.)

- För produkter med frysfack; Placera inte flaskprodukter och konserverade drycker i frysfacket. De kan explodera.
- Rör inte vid fryst mat med händerna; de kan fastna.
- Koppla ur kylskåpet före rengöring och avfrostning.
- Lättflyktiga material skall aldrig användas vid avfrostning av kylskåpet. Det kan leda till att ångan kommer i kontakt med elektriska delar och orsaka kortslutning eller elektriska stötar.
- Använd aldrig delar på din produkt såsom en dörr som stöd eller trappsteg.
- Använd inte elektriska enheter inne i kylskåpet.
- Skada inte delarna med borrar eller vassa verktyg, när kylskåpet cirkulerar. Kylmedlet som kan läcka ut om rör eller ytor punkteras kan orsaka hudirritation och ögonskador.
- Täck inte över eller blockera ventilationshålen på kylskåpet med något material.
- Elektriska enheter måste repareras av behöriga fackmän. Reparationer som utförs av personer utan rätt kunskap kan orsaka risk för användaren.
- Vid eventuella fel eller felfunktion under service eller reparationsarbete, skall du koppla ur strömkällan till kylskåpet genom att antingen vrida ur motsvarande säkring eller dra ur sladden.

- Drag inte i kabeln – drag i kontakten.
- Placera drycker i kylskåpet ordentligt stängda och upprätt.
- Förvara aldrig spraymedel som innehåller antändbara och explosiva ämnen i kylskåpet.
- Använd inte mekaniska enheter eller andra sätt för att påskynda avfrostningsprocessen, förutom det som rekommenderas av tillverkaren.
- Den här produkten är inte avsedd att användas av personer med nedsatt fysisk, psykisk eller mental förmåga eller oerfarna personer (inklusive barn) om de inte övervakas av en person som ansvarar för deras säkerhet eller instruerar dem i användningen av produkter
- Använd inte ett skadat kylskåp. Kontakta serviceombudet om du har några frågor.
- Elsäkerheten för kylskåpet garanteras endast om jordningssystemet i huset uppfyller de krav som gäller.
- Det är farligt att utsätta produkten för regn, snö, sol och vind med tanke på elsäkerheten.
- Kontakta auktoriserad service om strömkabeln skadas för att undvika fara.
- Koppla aldrig in kylskåpet i vägguttaget under installationen. Det ökar risken för allvarlig skada eller dödsfall.
- Det här kylskåpet är endast avsett för förvaring av livsmedel. Det får inte användas för något annat ändamål.
- Etiketten med tekniska specifikationer sitter på vänster insida i kylskåpet.
- Koppla aldrig in kylskåpet till energibesparande system; de kan skada kylskåpet.
- Om det finns en blå lampa på kylskåpet ska du inte titta in i den blå lampan med optiska verktyg.
- För manuellt kontrollerade kylskåp, vänta i minst 5 minuter för att starta kylskåpet efter strömavbrottet.
- Den här bruksanvisningen ska lämnas till den nya ägaren av produkten när den lämnas till andra.
- Undvik att orsaka skada på strömkabeln vid transport av kylskåpet. Om du böjer kabeln kan det orsaka brand. Placera aldrig tunga föremål på strömkabeln. Rör inte vid kontakten med våta händer när du kopplar in produkten.
- Anslut inte kylskåpet till ett eluttag som sitter löst.
- Vatten får av säkerhetsskäl inte sprayas direkt på de inre eller yttre delarna av produkten.
- Spraya inte ämnen som innehåller antändbara gaser, såsom propangas, nära kylskåpet för att undvika brand och explosionsrisk.
- Placera aldrig behållare som är fyllda med vatten på kylskåpet, eftersom det kan orsaka elektrisk kortslutning eller brand.
- Överbelasta inte kylskåpet med för stora mängder mat. Om det överbelastas kan mat falla ned och skada dig och kylskåpet när du öppnar dörren. Placera aldrig föremål på kylskåpet; annars kan de falla ned när du öppnar eller stänger kylskåpsdörren.

- Produkter som behöver en exakt temperaturkontroll (vaccin, värmekänslig medicin, vetenskapliga material etc.) får inte förvaras i kylan.
- Om kylskåpet inte används under en längre tid ska det kopplas från strömkällan. Ett möjligt problem i strömkabeln kan orsaka brand.
- Kontaktens stift ska rengöras regelbundet; annars kan det leda till brandrisk.
- Kylskåpet kan flytta på sig om de justerbara benen inte sitter fast ordentligt i golvet. Om du förankrar de justerbara benen ordentligt i golvet kan det förhindra att kylskåpet flyttar på sig.
- När du bär på kylskåpet ska du inte hålla i dörrhandtaget. Annars kan det släppa.
- Om du har placerat produkten intill ett annat kylskåp eller en frys ska avståndet mellan enheterna vara minst 8 cm. Annars kan de angränsande väggarna blir fuktiga.

För produkter med vattenbehållare;

Vattentrycket ska vara minst 1 bar.

Vattentrycket ska vara max 8 bar.

- Använd bara drickbart vatten.

Barnsäkerhet

- Om dörren har ett lås ska nyckeln hållas borta från barn.
- Barn ska övervakas för att hindra att de pillar på produkten.

HCA-Varning

Om produktens kylsystem innehåller R600a:

Den här gasen är lättantändlig.

Var därför noggrann så att du inte skadar kylsystemet och rören under användning och transport. Om det skulle uppstå någon skada skall produkten hållas borta från potentiella eldkällor som kan göra att produkten fattar eld och du ska ventilerera rummet där enheten är placerad.

Du kan bortse från den här varningen om produktens kylsystem innehåller R134a.

Typen av gas som används i produkten anges på märkplåten som sitter på kylskåpets vänstra insida.

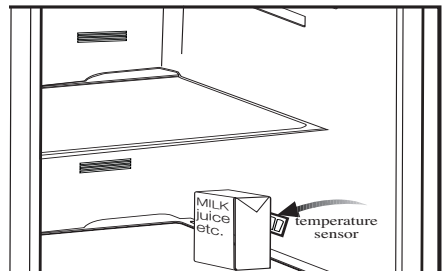
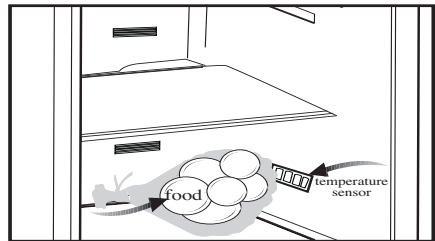
Kasta aldrig produkten i eld när den ska kasseras.

Saker att göra för att spara energi

- Låt inte dörrarna till kylskåpet stå öppna under en längre tid.
- Placera inte varm mat eller varma drycker i kylskåpet.
- Överbelasta inte kylskåpet så att luftcirkulationen invändigt hindras.
- Installera inte kylskåpet i direkt solljus eller nära värmeavsöndrande enheter såsom ugn, diskmaskin eller element.
- Observera att mat ska förvaras i tillslutna behållare.
- För produkter med frysack; Du kan lagra maximal mängd mat i frysen när du tar bort hyllan eller lådan till frysen. Energiförbrukningen som anges på kylskåpet har fastställts genom att ta bort fryshyllan eller lådan och ha maximal belastning. Det finns ingen risk i att använda en hylla eller låda enligt formerna och storlekarna på maten som ska frysas.
- Uptining av fryst mat i kylfacket sparar både energi och håller matens kvalitet.

Rekommendationer för förvaring av färskvaror

- Låt ingen mat komma i kontakt med temperatursensorn i facket för färskvaror. För att hålla optimal förvaringstemperatur i facket för färskvaror får inte sensorn blockeras av livsmedel.
- Placera inte varm mat i enheten.



3 Installation

- ⚠ Kom ihåg att tillverkaren inte skall hållas ansvarig om användaren underlåter att observera något i den här bruksanvisningen.

Förberedelse

- Kylskåpet skall installeras minst 30 cm från värmekällor, såsom spis, ugn och centralvärme och minst 5 cm från elektriska ugnar och får inte placeras i direkt solljus.
- Den omgivande temperaturen i rummet där du installerar kylskåpet skall vara minst 10°C. Användning i kallare miljöer rekommenderas inte och kan minska effektiviteten.
- Se till att kylskåpet är ordentligt rengjort invändigt.
- Om två kylskåp skall installeras intill varandra skall det vara ett avstånd på minst 2 cm mellan dem.
- Vid användning av kylskåpet för första gången skall du observera följande anvisningar under de första sex timmarna.
 - Dörren får inte öppnas för ofta.
 - Det måste köras tomt utan mat.
 - Dra inte ur sladden till kylskåpet.Om det inträffar ett strömavbrott som ligger utanför din kontroll, se varningarna i avsnittet "Rekommenderade lösningar på problem".
- Originalförpackning och skumplastmaterial skall sparas för framtida transport.

Saker att tänka på vid transport av kylskåpet

1. Kylskåpet måste vara tomt och rent före transport.
2. Hyllor, tillbehör, grönsakslåda etc. i kylskåpet måste spännas fast ordentligt med självhäftande tejp före ompaketering.
3. Förpackningen måste fästas ihop med tjock tejp och starka rep och de transportregler som anges på förpackningen måste följas.

Glöm inte...

Varje återvunnet material är en ovärderlig källa för naturen och för våra nationella resurser.

Om du vill bidra till återvinningen av förpackningsmaterial kan du hämta ytterligare information från våra miljöorgan eller lokala myndigheter.

Innan du använder kylskåpet

Kontrollera följande innan du startar kylskåpet:

1. Är kylskåpets insida torr och kan luften cirkulera fritt bakom det?
2. För in 2 plastklämmor på den bakre ventilationen så som visas på följande bild. Skruva loss de befintliga och använd de medföljande skruvarna som ligger i samma påse som klämmorna.

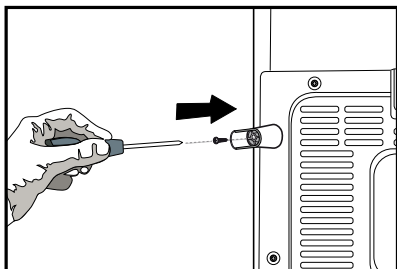
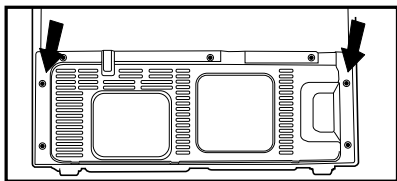
The climate class rate of your appliance is given on the rating label located inside the appliance. It specifies the appropriate operating ambient temperatures as explained below.

Climatic class Ambient temperatures

SN+10 °C to 32 °C
N+16 °C to 32 °C
ST.....+18 °C to 38 °C
T.....+18 °C to 43 °C
SN-ST+10 °C to 38 °C
SN-T.....+10 °C to 43 °C

Plastklämmorna ger rätt avstånd mellan kylskåpet och väggen för att tillåta luften att cirkulera.

3. Rengör kylskåpets insida enligt rekommendationerna i avsnittet "Underhåll och rengöring".
4. Koppla in kylskåpet i vägguttaget. När dörren öppnas kommer den invändiga belysningen att tändas.
5. Du kommer att höra ett bullrande ljud när kompressorn startar. Vätska och gas inne i produkten kan också ge upphov till ljud, även om kompressorn inte körs och detta är helt normalt.



6. De främre kanterna på kylskåpet kan kännas varma. Detta är normalt. De här områdena är utformade för att bli varma och därmed undvika kondens.

Elektrisk anslutning

Anslut kylskåpet till ett jordat uttag som skyddas av en säkring med lämplig kapacitet.

Viktigt:

- Anslutningen måste ske i enlighet med nationell lagstiftning.

- Strömkabelns kontakt måste vara lätt att komma åt efter installationen.
 - Spänning och tillåtet säkringskydd anges i avsnittet "Tekniska specifikationer".
 - Den angivna spänningen måste överensstämma med strömkällans spänning.
 - Förlängningskablar och grenkontakter får inte användas för anslutningen.
- ⚠ En skadad strömkabel måste bytas av en behörig elektriker.
- ⚠ Produkten får inte användas innan den reparerats! Det finns risk för kortslutning!

Avyttring av förpackningen

Förpackningsmaterial kan vara farligt för barn. Förvara förpackningsmaterialen utom räckhåll för barn eller avyttra dem i enlighet med gällande regler. Avyttra dem inte med hushållsavfallet.

Förpackningsmaterialet för ditt kylskåp produceras av återvinningsbara material.

Avyttring av ditt gamla kylskåp

Avyttra din gamla enhet utan att skada miljön.

- Du kan kontakta en auktoriserad återförsäljare eller ett återvinningscenter angående avyttring av ditt kylskåp.

Innan du avyttrar kylskåpet ska du dra ur strömkontakten och, om det finns några lås på dörren, göra dem obrukbara för att förhindra att barn skadar sig.

Placering och installation

Observera! Koppla aldrig in kylskåpet i vägguttaget under installationen. Det ökar risken för allvarlig skada eller dödsfall.

Om entrén till rummet där kylskåpet skall installeras inte är tillräckligt bred för att kylskåpet skall kunna passera skall du ringa till auktoriserad fackman så att de avlägsnar dörrarna på kylskåpet och tar in det i sidled genom dörren.

1. Installera kylskåpet på en plats där det är lättåtkomligt.
2. Håll kylskåpet borta från värmekällor, fuktiga platser och direkt solljus.
3. Det måste finnas tillräcklig ventilation runt kylskåpet för att uppnå effektiv användning.

Om kylskåpet placeras i en hålighet i väggen måste det vara ett avstånd på minst 5 cm till taket och 5 cm till väggen.

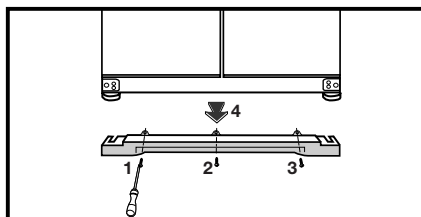
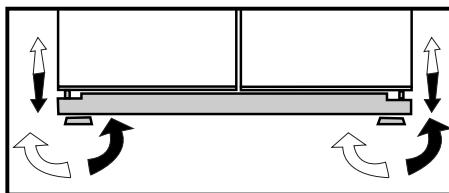
Om golvet täcks med en matta måste produkten ha ett mellanrum på 2,5 cm till golvet

4. Placera kylskåpet på en jämn och plan golvytta för att förhindra lutningar.
5. Låt inte kylskåpet stå i en omgivande temperatur som understiger 10°C.

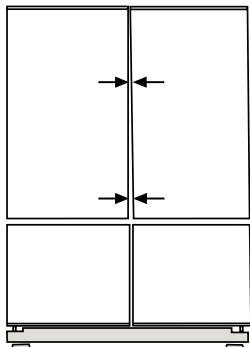
Golvbalansjustering

Om kylskåpet är obalanserat;
1- Ventilationsskyddet tas bort genom att skruva bort skruvarna, så som visas i bilden, innan du går vidare. Du kan balansera kylskåpet genom att vrida de främre benen såsom illustreras på bilden. Hörnet där benen finns sänks när du vrider i den svarta pilens riktning och höjs när du vrider i motsatt riktning. Det är lämpligt att be om hjälp när du gör detta för att göra det enklare.

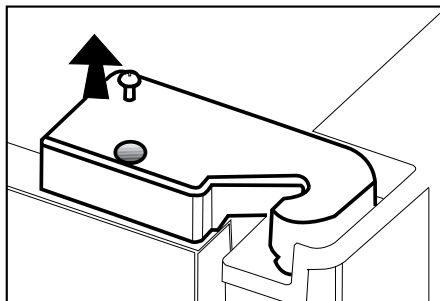
2. När balansproblemet är åtgärdat monterar du tillbaka ventilationsskyddet och fäster skruvarna.
3. Avlägsna de skruvar som fäster det nedre ventilationsskyddet med en Philips skruvmejsel.



Justera öppningen vid den övre dörren

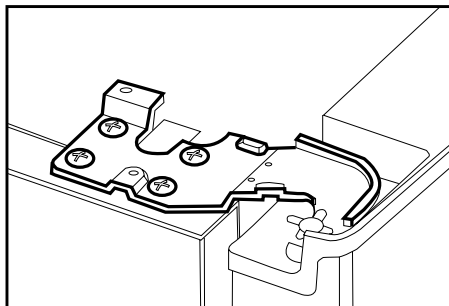


- Du kan justera öppningen mellan dörarna på kylfacket så som visas på bilderna.

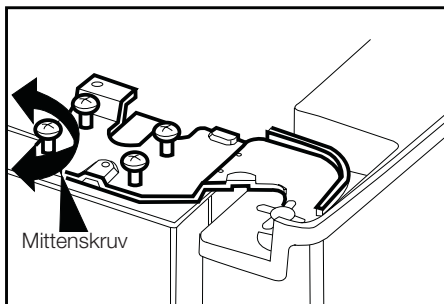


Dörrhyllorna skall vara tomma när du justerar dörrhöjden.

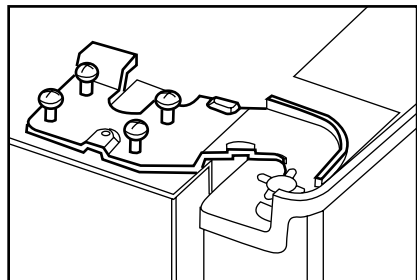
- Använd en skruvmejsel för att avlägsna det övre gångjärnsskyddet på dörren du vill justera.



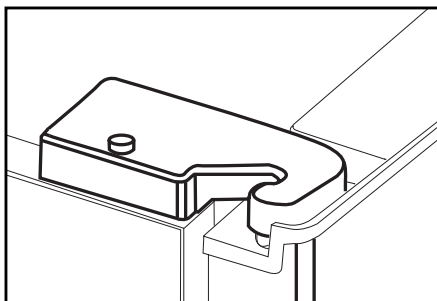
- Justera dörren efter önskemål genom att lossa på skruvarna.



Mittenskruv



- Fäst dörren som du har justerat genom att dra åt skruvarna utan att ändra dörrens position.

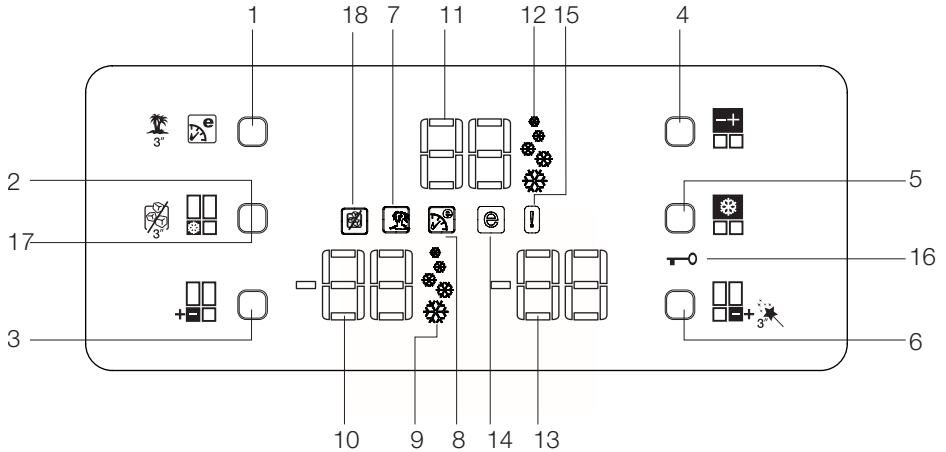


- Byt gångjärnsskydd och fäst med skruven.

4 Använda kylskåpet

Indikatorpanel

Med den pekstyrda indikatorpanelen kan du ställa in temperaturen utan att öppna kylskåpsdörren. Peka bara på önskad knapp med fingret för att ställa in temperaturen.



1. Eko-extra/Semester-knapp
2. Snabbfrysning/Is av-knapp
3. Inställningsknapp för frysackstemperatur
4. Inställningsknapp för kylfackstemperatur
5. Snabbkylningsknapp
6. Flexizonförvaringsfack - Temperaturinställningsknapp
7. Indikator för semesterfunktion
8. Indikator för Eko-extrafunktion
9. Indikator för snabbfrysningsfunktion
10. Indikator för frysackstemperatur
11. Indikator för kylfackstemperatur
12. Indikator för snabbkylningsfunktion
13. Flexizonförvaringsfack - Temperaturindikator
14. Indikator för ekonomiläge
15. Indikator för felstatus
16. Indikator för knapplås
17. Is av-funktionsknapp
18. Is av-funktionsindikator

i Bilder som förekommer i den här bruksanvisningen är exempel och överensstämmer inte exakt med din produkt. Om delar inte medföljer produkten du har köpt så gäller det för andra modeller.

1. Eko-extra/Semester-knapp

Tryck snabbt på knappen för att aktivera funktionen Eko-extra. Håll in knappen i 3 sekunder för att aktivera semesterfunktionen. Tryck på knappen igen för att avaktivera den valda funktionen.

2. Snabbfrysningsknapp

Tryck snabbt på knappen för att aktivera funktionen Snabbfrysning. Tryck på knappen igen för att avaktivera den valda funktionen.

3. Inställningsknapp för frysfackstemperatur

Tryck på den här knappen för att ställa in temperaturen för frysfacket till -18, -20, -22, -24 respektive -18. Tryck på den här knappen för att ställa in önskad temperatur för frysfacket.

4. Inställningsknapp för kylfackstemperatur

Tryck på den här knappen för att ställa in temperaturen för kylfacket till 8, 6, 4, 2 respektive 8. Tryck på den här knappen för att ställa in önskad temperatur för kylfacket.

5. Snabbkylningsknapp

Tryck snabbt på knappen för att aktivera funktionen Snabbkylning. Tryck på knappen igen för att avaktivera den valda funktionen.

6. Flexizonförvaringsfack - Temperaturinställningsknapp

Du kan ställa in Flexizonförvaringsfacket antingen som ett frysfack eller ett kylfack. Håll in knappen i 3 sekunder för att ställa in Flexizonförvaringsfacket antingen som frysfack eller kylfack. Som fabriksstandard är facket inställt som frysfack.

Om Flexizonförvaringsfacket är inställt som frysfack kommer temperaturen på facket att ändras till -18, -20, -22, -24 respektive -18... varje gång du trycker på den här knappen. Om Flexizonförvaringsfacket är inställt som kylfack kommer temperaturen på facket att ändras till -6, 0, 2, 4 respektive 6... varje gång du trycker på den här knappen.

7. Indikator för semesterfunktion

Anger om semesterfunktion är aktiverad. Om den här funktionen är aktiv visar indikatorn på kylfacket "- -" och kylfacket kyls inte. Övriga fack kyls i enlighet med den temperatur som är inställd för dem.

Tryck på relevant knapp igen för att avaktivera den valda funktionen.

8. Indikator för Eko-extrafunktion

Anger om Eko-extrafunktion är aktiverad. När den här funktionen är aktiverad kommer kylskåpet att automatiskt hitta de perioder när enheten används minst och kyla mer energisnålt under de tiderna. Ekonomiindikatorn är aktiv under energisnål kylning.

Tryck på relevant knapp igen för att avaktivera den valda funktionen.

9. Indikator för snabbfrysningsfunktion

Anger om snabbfrysningsfunktion är aktiverad. Använd den här funktionen när du placerar färsk mat i frysacket eller när du behöver is. När den här funktionen är aktiv kommer kylskåpet att köras i 6 timmar utan stopp.

Tryck på relevant knapp igen för att avaktivera den valda funktionen.

10. Indikator för frysackstemperatur

Indikerar temperaturen för frysacket.

11. Indikator för kylfackstemperatur

Indikerar temperaturen för kylfacket.

12. Indikator för snabbkylningsfunktion

Anger om snabbkylningsfunktion är aktiverad. Använd den här funktionen när du placerar färsk mat i kylfacket eller när du snabbt vill kyla mat. När den här funktionen är aktiv kommer kylskåpet att köras i 2 timmar utan stopp.

Tryck på relevant knapp igen för att avaktivera den valda funktionen.

13. Flexizonförvaringsfack - Temperaturindikator

Indikerar den temperatur som är inställd för Flexizonförvaringsfacket.

14. Indikator för ekonomiläge

Indikerar att kylskåpet körs i energisnålt läge. Temperatur i frysacket

Denna indikator kommer att vara aktiv om funktionen är inställd på -18 eller om energisnål kylning utförs av Eko-extrafunktionen.

15. Indikator för felstatus

Om kylskåpet inte kyler på rätt sätt eller om det uppstår ett sensorfel aktiveras denna indikator. När indikatorn är aktiv visar temperaturindikatorn för frysacket "E" och temperaturindikatorn för kylfacket visar siffror som "1,2,3...". Siffrorna på indikatorn är information om vilket typ av fel det är, för servicepersonalen.

16. Indikator för knapplås

Använd den här funktionen om du inte vill ändra temperaturinställningarna.

Tryck in snabbkylningsknappen och Flexizonförvaringsfackets inställningsknapp för temperatur samtidigt i 3 sekunder för att aktivera den här funktionen.

Tryck på relevanta knappar igen för att avaktivera den valda funktionen.

17. Is av-funktionsknapp

För att stoppa isbildning trycker du på knappen Is-av på ismaskinen i 3 sekunder. När iskanalen är vald skickas inget vatten till isboxen. Trots detta kan det finnas is kvar i isboxen som kan tas ut därifrån. För att starta om isbildning trycker du på knappen Is-Av på ismaskinen i 3 sekunder.

18. Is av-funktionsknapp

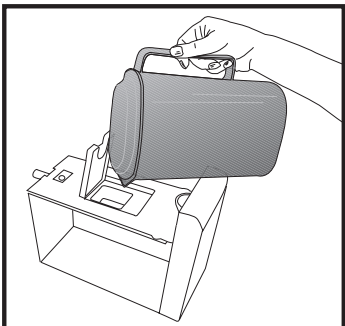
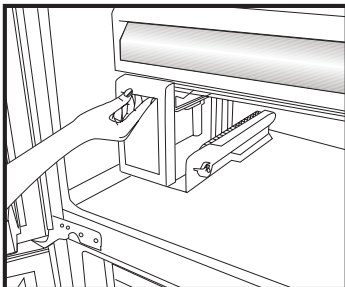
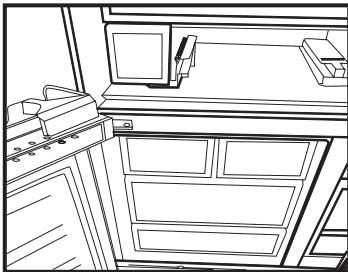
Om du inte vill ta is från kylskåpet behöver du använda den här funktionen. Du kan använda den här funktionen genom att trycka på Is-Av-knappen i 3 sekunder på ismaskinen.

Dörröppningsalarm:

Om dörren till kylfacket eller **Flexizon**-förvaringsfacket är öppen i mer än 1 minut kommer dörröppningsalarmet att aktiveras. Tryck på valfri knapp på indikatorn eller stäng den öppna dörren för att tysta alarmet.

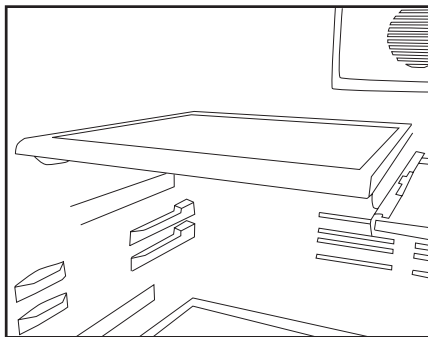
Automatisk ismaskin

Den automatiska ismaskinen gör det möjligt för dig att enkelt få is från kylskåpet. Ta bort vattenbehållaren i kylfacket, fyll den med vatten och installera den igen för att få is från ismaskinen. Första isen blir klar efter 2 timmar i isfacket som är placerat i frysfacket. Du kan få fram 70 iskuber om vattenbehållaren är helt full. Byt vatten i vattenbehållaren om det har legat där i mer än 2-3 veckor.



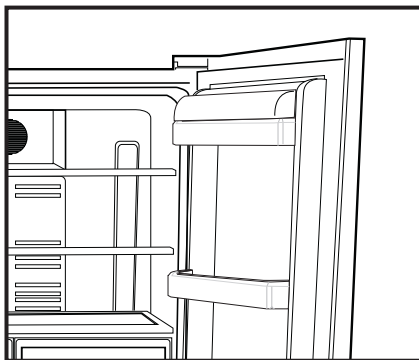
Skjutbara hyllor med bakre hängare

De skjutbara hyllorna med bakre hängare kan flyttas bakåt och framåt. Deras höjd kan också justeras genom att ta bort och installera dem på en lägre eller övre position. Res upp hyllan något och dra mot dig själv för att ta bort den.



Ost- och smörhylla

Livsmedel, såsom smör, ost och margarin ska förvaras i det här facket som har ett lock.

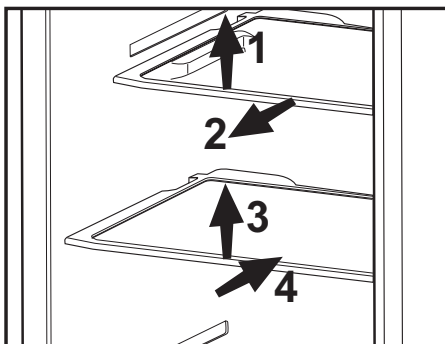


Ägghållare

- Du kan installera ägghållaren på önskad dörr eller hylla.
- Förvara aldrig ägghållare i frysacket.

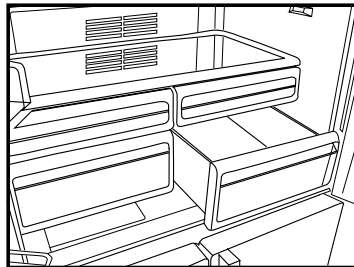
Skjutbara hyllor

- De skjutbara hyllorna kan dras genom att lyfta i dem framtill och baktill. När du drar dem framåt kommer de till en stoppunkt för att du ska kunna komma åt mat som är placerad bakom hyllan; när de dras lite uppåt kommer de till en andra stoppunkt, där hyllan kan lyftas ut. Hyllan ska hållas tätt mot botten, för att förhindra att den välter. Hyllan är placerad på sidoskenorna på kylskåpet på en nedre och en övre nivå. Enhetshyllan kan tryckas bakåt för att fastna helt.



Grönsakslåda

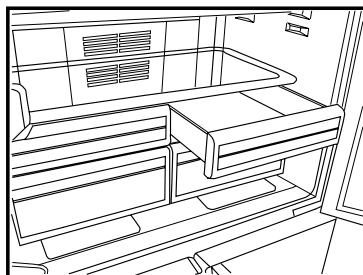
Grönsakslådan i kylskåpet är utformad för att speciellt förvara grönsakerna färska utan att de ska tappa fukt. Av den anledningen cirkulerar kall luft runt grönsakslådan.



Kylfack

Kylfacket förbereder mat som ska frysas. Du kan även använda dessa fack för att förvara mat i en temperatur som ligger några grader under kylskåpet.

Du kan öka den inre volymen på kylskåpet genom att ta bort några av snacksfacken. För att göra detta drar du facket mot dig, facket lutar sig mot en stopper och stannar. Facket tas ut genom att du lyfter det ungefär 1 cm och drar det mot dig.

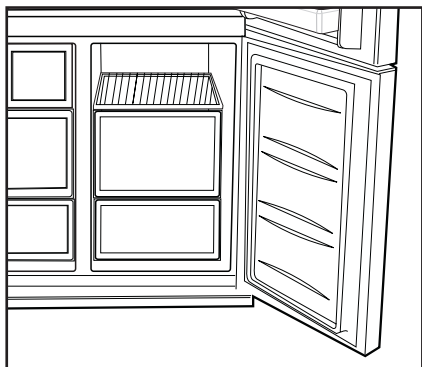


Roterande mittsektion

Den roterande mittsektionen är avsedd att förhindra att kall luft i kylskåpet smiter ut. Den roterande mittsektionen hjälper till att hålla tätt eftersom dörrrens packningar trycker mot ytan av den roterande mittsektionen när kylfackets dörrar är stängda. En annan anledning till att kylskåpet är utrustat med en roterande mittsektion är för att öka nettovolymen på kylfacket. Vanliga mittsektioner ger ofta en viss volym som inte används.

Flexizonförvaringsfack

Kylskåpets flexizonfack kan användas i önskat läge genom att justera temperaturerna för kyl (2/4/6/8 °C) eller frys (-18/-20/-22/-24). Du kan ställa in önskad temperatur för facket med temperaturinställningsknappen. Temperaturen för kylfacket kan ställas in mellan 0 och 10 grader för kylfacket

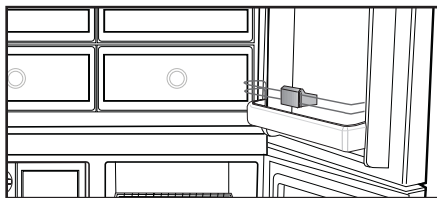


och ned till -6 grader för frysfacket. 0 grader används vid längre förvaring av mat och charkuteri, och -6 grader används för att förvara köttvaror upp till 2 veckor så att det är smidigt att skära.

i Funktionen för att växla till kyl- eller frysfack erbjuds via kylelementet som finns placerat i den stängda sektionen (kompressorfacket) bakom kylskåpet. Under användning av det här elementet hörs ett liknande ljud som från en analog klocka. Detta är normalt och inte något fel.

Blå lampa

Mat som lagras i grönsakslådan belyses med en blå lampa för att bevara färskheten och öka vitamininnehållet.



5 Underhåll och rengöring

- ⚠ Använd aldrig bensin, bensen eller liknande ämnen för rengöring.
- ⚠ Vi rekommenderar att du kopplar ur utrustningen före rengöring.
- 🔧 Använd aldrig vassa instrument eller slipande medel, tvål, rengöringsmedel, tvättmedel eller polish för rengöring.
- 🔧 Använd ljummet vatten för rengöring av enhetens skåp och torka det torrt.
- 🔧 Använd en fuktig trasa urvriden i en lösning av en tesked bikarbonatsoda till en halv liter vatten, torka ur interiören och torka sedan torrt.
- ⚠ Se till att inget vatten tränger in i lampkåpan och i andra elektriska tillbehör.
- ⚠ Om enheten inte kommer att användas under en längre tid, stäng då av den, plocka ur all mat, rengör den och lämna dörren på glänt.
- 🔧 Kontrollera dörrtätningen regelbundet så att den är ren och fri från matrester.
- 🔧 För att ta bort ett dörrfack tar du först ur allt innehåll och trycker sedan enkelt upp det från sitt fäste.

Skydd av plastytor

- 🔧 Förvara inte rinnande olja eller mat som har tillagats i olja utan att vara tillslutna i kylskåpet, eftersom det kan skada kylskåpets plastytor. Om du spillar olja på plasten, rengör och skölj ytan direkt med varmvatten.

6 Rekommenderade lösningar på problem

Titta igenom listan innan du tillkallar service. Det kan spara både tid och pengar. Den här listan inkluderar vanliga klagomål som inte uppstår till följd av defekter i tillverkningen eller materialanvändningen. Vissa av funktionerna som beskrivs här kanske inte finns på din produkt.

Kylen fungerar inte
<ul style="list-style-type: none">• Är kylskåpet korrekt inkopplat? Sätt i vägguttaget.• Har säkringen som är ansluten till kylskåpet gått? Kontrollera säkringen.
Kondens på kylskåpets sidoväggar. (MULTIZON, KYLKONTROLL och FLEXIZON)
<ul style="list-style-type: none">• Mycket kalla omgivande förhållanden. Dörren öppnas och stängs ofta. Hög luftfuktighet i den omgivande luften. Lagring av mat med vätska i öppna behållare. Dörren har lämnats öppen.• Vrid termostaten till ett kallare läge.• Minska tiden som dörren lämnas öppen eller öppna inte så ofta.• Täck över mat som lagras i öppna behållare med ett lämpligt material.• Torka av kondens med en torr trasa och kontrollera om den kvarstår.
Kompressorn går inte
<ul style="list-style-type: none">• Det termiska skyddet i kompressorn kommer att lösas ut vid plötsliga strömavbrott då kylskåpets tryck i kylsystemet inte har balanserats.• Ditt kylskåp startar efter omkring 6 minuter. Tillkalla service om kylskåpet inte startar i slutet av den här perioden.• Frysaren är i avfrostningsläge. Det här är normalt för en helautomatiskt avfrostande kyl. Avfrostningscykeln inträffar regelbundet.• Kylskåpet är inte inkopplat i strömkällan. Se till att kontakten sitter ordentligt i vägguttaget.• Är temperaturinställningen korrekt? Det är strömavbrott. Kontakta din elleverantör.

Kylskåpet körs ofta eller under en längre tid.
<ul style="list-style-type: none"> • Ditt nya kylskåp kan vara bredare än det gamla. Detta är helt normalt. Stora kylskåp arbetar under en längre tidsperiod. • Omgivande rumstemperatur kan vara hög. Detta är normalt. • Kylskåpet kan ha varit inkopplat nyligen eller ha fyllts på med mat. Det kan ta flera timmar innan kylskåpet har kylts ned helt. • Stora mängder mat kanske har placerats i kylskåpet nyligen. Varm mat gör att kylskåpet arbetar längre för att uppnå önskad temperatur. • Dörren kanske har öppnats ofta eller lämnats öppen under en längre tid. Den varma luften som har kommit in i kylskåpet gör att kylskåpet arbetar under längre perioder. Öppna inte dörrarna så ofta. • Frysens eller kylfackets dörr kanske har lämnats öppen. Kontrollera om dörren är ordentligt stängd. • Kylskåpet är inställt på en mycket kall nivå. Justera kylskåpstemperaturen till en högre nivå tills temperaturen är enligt önskemål. • Dörrens tätning på kyl eller frys kan vara sliten, smutsig eller trasig. Rengör eller byt tätningen. Skadade tätningar kan göra att kylskåpet körs under en längre tid för att bibehålla den aktuella temperaturen.
Frystemperaturen är mycket låg när kyltemperaturen är normal.
<ul style="list-style-type: none"> • Frysens temperatur är inställd på en mycket kall nivå. Justera frystemperaturen till en högre nivå och kontrollera.
Kyltemperaturen är mycket låg när frystemperaturen är normal.
<ul style="list-style-type: none"> • Kylens temperatur är inställd på en mycket kall nivå. Justera kyltemperaturen till en högre nivå.
Mat som förvaras i kylskåpsfacken fryser.
<ul style="list-style-type: none"> • Kylens temperatur är inställd på en mycket kall nivå. Justera kyltemperaturen till en högre nivå.
Temperaturen i kylan eller frysen är mycket hög.
<ul style="list-style-type: none"> • Kylens temperatur är inställd på en mycket kall nivå. Kylinställningen påverkar frysens temperatur. Sänk temperaturen för kyl eller frys tills den ligger på acceptabel nivå. • Dörren kan ha lämnats öppen. Stäng dörren helt. • Stora mängder mat kanske har placerats i kylskåpet nyligen. Vänta tills kylan eller frysen uppnår önskad temperatur. • Kylskåpet kanske nyligen har varit urkopplat. Nedkylningen kan ta tid.
Ljud som liknar tickandet från en sekundvisare kommer från kylskåpet.
<ul style="list-style-type: none"> • Ljudet kommer från kylskåpets solenoidvalv. Solenoidventiler har som syfte att se till att kylmedlet som passerar genom facket fungerar som det ska, det kan ändras till kyl- eller frystemperaturer och har kylfunktioner. Detta är normalt och inte något fel.
Kylskåpet dånar när det går.
<ul style="list-style-type: none"> • Egenskaperna hos kylskåpet kan ändras enligt den omgivande temperaturen. Detta är normalt och inte något fel.

Vibrationer eller felbalans.
<ul style="list-style-type: none"> • Golvet är ojämnt eller svagt. Kylskåpet skakar när det rör sig långsamt. Säkerställ att golvet är rakt, kraftigt och att det klarar tyngden från kylskåpet. • Ljudet kan orsakas av saker som ligger ovanpå kylan. Sådana saker ska plockas bort från kylens ovansida.
Det förekommer ljud som låter som dropp eller sprutning.
<ul style="list-style-type: none"> • Vätske- och gasflöden sker i enlighet med användningsprinciperna för ditt kylskåp. Detta är normalt och inte något fel.
Det förekommer ljud som låter som vind.
<ul style="list-style-type: none"> • Luftaktivatorer (fläktar) används för att låta kylan svalna effektivt. Detta är normalt och inte något fel.
Kondens på innerväggarna i kylskåpet.
<ul style="list-style-type: none"> • Varmt och fuktigt väder ökar isbildning och kondens. Detta är normalt och inte något fel. • Dörrarna är öppna. Kontrollera att dörren är helt stängd. • Dörrarna kan ha öppnats mycket ofta eller så kanske de har lämnats öppna under lång tid. Öppna inte dörrarna så ofta.
Fukt bildas på kylskåpets utsida eller mellan dörrarna.
<ul style="list-style-type: none"> • Vädret kan vara fuktigt. Det här är helt normalt vid fuktig väderlek. När fuktnivån är lägre försvinner kondensen.
Dålig lukt inne i kylan.
<ul style="list-style-type: none"> • Kylskåpets insida måste rengöras. Rengör kylskåpets insida med en svamp och varmt vatten. • Vissa behållare eller förpackningsmaterial kan orsaka lukt. Använd en annan behållare eller olika förpackningsmaterial.
Dörrarna går inte att stänga.
<ul style="list-style-type: none"> • Matpaket kan vara i vägen. Byt ut förpackningarna som ligger i vägen för dörren. • Kylskåpet står antagligen inte helt plant på golvet och de kanske rör sig något när det förflyttas. Justera lyftskruvarna. • Golvet är inte helt plant eller tillräckligt starkt. Säkerställ att golvet är rakt, kraftigt och att det klarar tyngden från kylskåpet.
Grönsaker fastnar.
<ul style="list-style-type: none"> • Maten kanske vidrör taket i lådan. Sortera om maten i facket.

Vennligst les denne veiledningen først!

Kjære kunde,

Vi håper at dette produktet, som er produsert under første klasses produksjonsforhold og har gjennomgått de strengeste kvalitetskontrollprosedyrer, vil gi deg mange års utmerket tjeneste.

Derfor ber vi deg lese nøye gjennom denne veiledningen før du bruker produktet, og beholde denne for fremtidig bruk.




Bruksanvisningen

- Vil hjelpe deg med å bruke apparatet på en rask og sikker måte.
- Vennligst les bruksanvisningen før du installerer og bruker produktet.
- Følg instruksjonene, spesielt de som angår sikkerheten.
- Hold veiledningen lett tilgjengelig, siden du kan ha behov for den senere.
- Les også de andre dokumentene som ble levert sammen med produktet.

Vennligst merk at denne bruksanvisningen kan gjelde for flere andre modeller.

Symboler og beskrivelser av disse

Denne veiledningen inneholder følgende symboler:

-  Viktig informasjon eller nyttige tips om bruk.
-  Advarsel om farlige tilstander for liv og eiendom.
-  Advarsel om elektrisk spenning.



Dette produktet har utvalgt sorteringssymbol for avfall elektrisk og elektronisk utstyr (WEEE).

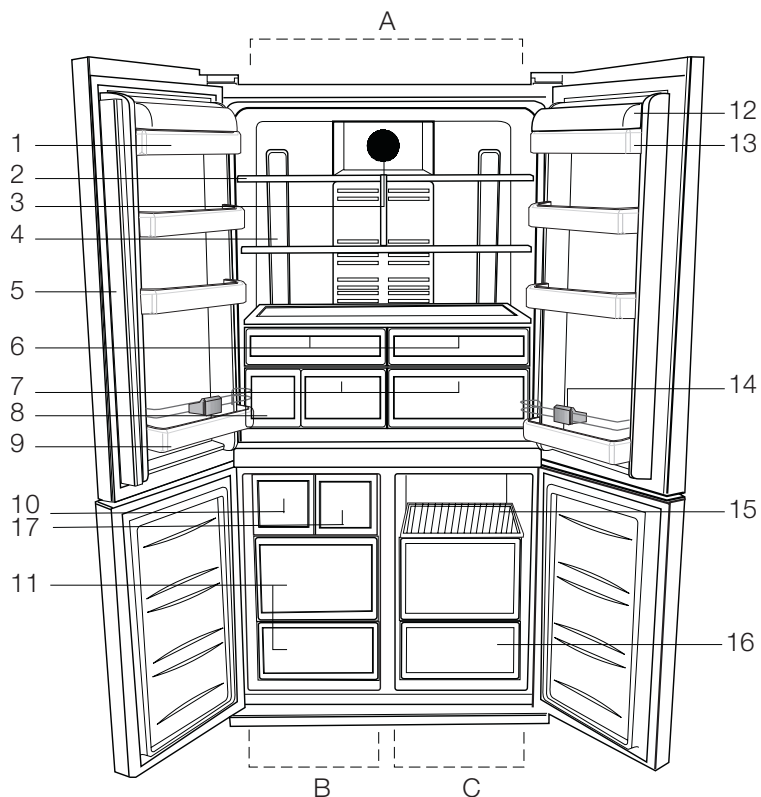
Dette betyr at dette produktet må håndteres etter EU-direktivet 2002/96/EC for å resirkuleres eller demonteres for å redusere virkningen på miljøet. For ytterligere informasjon, vennligst ta kontakt med lokale eller regionale myndigheter.

 Elektroniske produkter som ikke er inkludert i utvalgt sorteringsprosess er potensielt farlige for miljøet og menneskers helse pga. tilstedeværelse av farlige substanser.

INNHold

1 Kjøleskapet	3	4 Bruk av kjøleskapet	12
2 Viktige sikkerhetsadvarsler	4	Hulle for smør og ost	16
Beregnet bruk.....	4	Eggbrett	17
For produkter med en vanndispenser:	6	Glidehyller.....	17
Barnesikring	6	Grønnsaksoppbevaring	17
HCA-advarsel.....	6	Kjøledel	17
Hva du må gjøre for å spare energi	7	Roterende midtseksjon	18
Anbefalinger for ferskvareskuff	7	Flexisone oppbevaringsdel	18
		Blått lys	18
3 Montering	8	5 Vedlikehold og rengjøring	19
Forberedelse	8	Beskyttelse av plastoverflater	19
Punkter som er viktige ved ytterligere transportering av kjøleskapet	8	6 Anbefalte løsninger på problemer	20
Før du bruker kjøleskapet	9		
Elektrisk tilkobling	9		
Avfallshåndtering av emballasje.....	9		
Avfallshåndtering av det gamle kjøleskapet	9		
Plassering og montering	10		
Justering av gulvbalansen.....	10		
Justering av avstanden til den øvre døren.....	11		

1 Kjøleskapet



- | | | | |
|----|----------------------------------|-----|-------------------------------------|
| A- | Kjøleskapsdel | 7- | Grønnsaksopplagring |
| B- | Frysedel | 8- | Vanntank |
| C- | Fleksisone | 9- | Flaskehylle |
| 1- | Kjøleskapsdørhyller | 10- | Icematic |
| 2- | Kjøleskaps justerbare skaphyller | 11- | Deler for oppbevaring av frossenmat |
| 3- | Diffuserdeksel | 12- | Deksel til hylle for smør og ost |
| 4- | Belysningslinse | 13- | Hylle for smør og ost |
| 5- | Roterende midtseksjon | 14- | Flaskeholder |
| 6- | Kjøledel | 15- | Del for oppbevaring |
| | | 16- | Fleksisonedel |
| | | 17- | Skuff til ferskvarer |

i Illustrasjonene i denne veiledningen er skjematisk og kan derfor være litt forskjellige fra ditt produkt. Hvis noen deler ikke medfølger produktet du har kjøpt, gjelder den for andre modeller.

2 Viktige sikkerhetsadvarsler

Vennligst les følgende informasjon. Hvis denne informasjonen ikke overholdes, kan det forårsake personskader eller materielle skader. Videre vil garanti og pålitelighetsforpliktelser regnes ugyldige.

Levetiden til produktet du har kjøpt, er 10 år. I denne perioden må du ha reservedelene som kreves for at enheten skal fungere slik som beskrevet.

Beregnet bruk

Dette produktet er beregnet til bruk

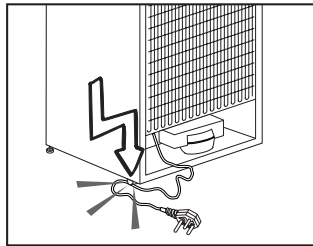
- Innendørs og på lukkede områder, slik som hjem.
- I lukkede arbeidsmiljøer, slik som butikker og kontorer.
- I lukkede husområder, slik som gårder, hoteller, pensjonater.
- Dette produktet skal ikke brukes utendørs.

Generell sikkerhet

- Når du ønsker å kaste/skrote produktet, anbefaler vi at du forhører deg med noen som er autorisert, slik at du får den nødvendige informasjonen og får rådført deg med autoriserte etater.
- Forhør deg med autoriserte personer ved spørsmål og problemer relatert til kjøleskapet. Ikke foreta endringer eller la noen andre foreta endringer på kjøleskapet uten å varsle noen som er autorisert.
- For produkter med fryserdel: Ikke spis iskrem med kjeks eller isbiter like etter at du har tatt dem ut av fryseren! (Dette kan forårsake frostbitt i munnen.)

- For produkter med fryserdel: Ikke putt drikkevarer på flaske eller bokser i fryseren. Det kan føre til at de sprekker.
- Ikke rør frossen mat med hendene, da disse kan feste seg til hånden.
- Trekk ut støpselet før rengjøring eller avising.
- Damp og damprengjøringsmidler skal aldri brukes i rengjørings- og avtiningsprosesser for kjøleskapet. I slike tilfeller kan dampen komme i kontakt med de elektriske delene og forårsake kortslutning eller elektrisk sjokk.
- Bruk aldri delene på kjøleskapet, slik som døren, som støtte eller trinn.
- Ikke bruk elektriske innretninger på innsiden av kjøleskapet.
- Ikke ødelegg delene der kjølevæsken sirkulerer med drill eller kutteverktøy. Kjølevæsken som kan strømme ut når gasskanaler til fordampere, rørforlengelser eller overflatebelegg punkteres, kan forårsake hudirritasjon og øyeskader.
- Ikke dekk til eller blokker ventilasjonsåpningene på kjøleskapet med noe materiale.
- Elektriske enheter må kun repareres av autoriserte personer. Reparasjoner som utføres av person som ikke er kompetente, kan forårsake fare for brukeren.
- I tilfelle feil under vedlikehold eller reparasjonsarbeid, kople fra kjøleskapets strømforsyning ved å slå av tilhørende sikring eller trekke ut støpselet.

- Ikke dra i selve ledningen når du trekker ut støpslet.
- Plasser drikkebeholdere godt lukket og stående.
- Lagre aldri spraybokser som inneholder antennelig og eksplosive stoffer i kjøleskapet.
- Ikke bruk mekanisk utstyr eller andre midler for å akselerere avisingsprosessen annet enn slikt utstyr som produsenten anbefaler.
- Dette produktet bør ikke brukes av personer med fysiske, sensoriske eller mentale forstyrrelser, eller personer som ikke er opplært eller ikke har noen erfaring (inkludert barn), med mindre de holdes under oppsyn av noen som er ansvarlige for deres sikkerhet, eller som kan vise dem hvordan produktet skal brukes.
- Ikke bruk et ødelagt kjøleskap. Forhør deg med et serviceverksted hvis du har spørsmål.
- Den elektriske sikkerheten til kjøleskapet kan kun garanteres hvis jordingen i hjemmet oppfyller standardene.
- Det er farlig å utsette produktet for regn, snø, sol og vind pga. elektrisk sikkerhet.
- Ta kontakt med noen som er autorisert hvis en strømkabel skades, slik at du unngår fare.
- Plugg aldri kjøleskapet inn i vegguttaket under monteringen. Dette kan medføre død eller alvorlig skade.
- Dette kjøleskapet er kun beregnet til oppbevaring av mat. Det skal ikke brukes til noen andre formål.
- Merket med tekniske spesifikasjoner befinner seg på venstre side inne i kjøleskapet.
- Koble aldri kjøleskapet til strømsparesystemer, de kan skade kjøleskapet.
- Hvis det finnes et blått lys på kjøleskapet, ikke se på det blå lyset med optiske verktøy.
- For kjøleskap som styres manuelt vent i minst 5 minutter før du slår på kjøleskapet etter et strømbrydd.
- Denne brukerhåndboken skal overleveres til neste eier av produktet hvis det skifter eier.
- Unngå å skade strømkabelen ved transport av kjøleskapet. Bøying av kabelen kan forårsake brann. Plasser aldri tunge gjenstander på strømledningen. Ikke berør støpselet med våte hender når du kobler til produktet.



- Ikke koble til kjøleskapet hvis vegguttaket er løst.
- Ikke sprut vann direkte på de ytre eller indre delene av produktet av sikkerhetsmessige grunner.
- Ikke spray stoffer som inneholder antennelige gasser, slik som propangass i nærheten av kjøleskapet for å unngå brann- og eksplosjonsfare.
- Ikke plasser gjenstander som er fylt med vann oppå kjøleskapet, da det kan føre til elektrisk støt eller brann.

- Ikke overbelast kjøleskapet med for mye mat. Hvis det overlastes, kan maten falle ned og skade deg og kjøleskapet når du åpner døren. Ikke plasser gjenstander oppe på kjøleskapet, da disse kan falle ned når du åpner eller lukker kjøleskapsdøren.
- Produkter som trenger en nøyaktig temperaturkontroll (vaksiner, varmesensitive medisiner, forskningsmaterialer osv.), skal ikke oppbevares i kjøleskapet.
- Hvis det ikke skal brukes på lang tid, skal kjøleskapet kobles fra strømuttaket. Et problem i den elektriske kabelen kan føre til brann.
- Tuppen på den elektriske pluggen skal rengjøres regelmessig, ellers kan det oppstå brann.
- Tuppen på pluggen skal rengjøres regelmessig med en tørr klut, ellers kan det oppstå brann.
- Kjøleskapet kan flytte seg hvis de justerbare beina ikke er riktig sikret på gulvet. Riktig sikring av justerbare bein på gulvet kan forhindre at kjøleskapet flytter seg.
- Når du bærer kjøleskapet, ikke hold det etter dørhåndtaket. Da kan det knekke av.
- Hvis du må plassere produktet ved siden av et annet kjøleskap eller fryser, skal avstanden mellom enheten være minst 8 cm. Ellers kan sideveggene som grenser til hverandre bli fuktige.

For produkter med en vanddispenser:

- Vanntrykket skal være minst 1 bar.
- Vanntrykket skal være maks. 8 bar.
- Bruk kun drikkevann.

Barnesikring

- Hvis du har en lås på døren, skal nøkkelen oppbevares utilgjengelig for barn.
- Barn må passes på slik at de ikke tukler med produktet.

HCA-advarsel

Hvis produktets kjølesystem inneholder R600a:

Denne gassen er brennbar. Derfor vær forsiktig så kjølesystemet og rørene ikke ødelegges under bruk og transport. For å unngå skader skal produktet holdes på avstand fra potensielle brannkilder som kan forårsake at produktet begynner å brenne, sørg også for god ventilasjon i rommet der apparatet er plassert.

Ignorer denne advarselen hvis produktets kjølesystem inneholder R134a:

Typen gass som brukes i produktet er oppgitt på typeskiltet som finnes på venstre side inne i kjøleskapet.

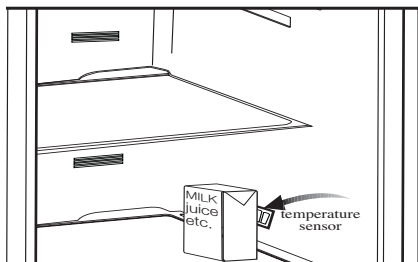
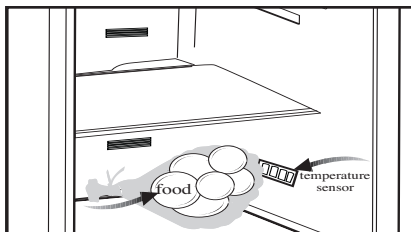
Kast aldri produktet inn i flammer ved avhending.

Hva du må gjøre for å spare energi

- Ikke hold dørene til kjøleskapet åpne over lang tid.
- Ikke putt varm mat eller drikke i kjøleskapet.
- Ikke overlast kjøleskapet slik at luftsirkulasjonen inne i kjøleskapet forhindres.
- Ikke plasser kjøleskapet i direkte sollys eller i nærheten av varmeutstrålende apparater, slik som ovn, oppvaskmaskin eller radiator.
- Sørg for å holde maten i lukkede beholdere.
- For produkter med en fryserdel: Du kan lagre maksimale mengder mat i fryseren hvis du fjerner hyllen eller skuffen i fryseren. Energiforbruksnivået til kjøleskapet er blitt fastslått ved å fjerne fryserhyllen eller skuffen og ved å ha maksimal last. Det er ingen fare ved bruk av hyllene eller skuffen i henhold til form og størrelse på maten som skal fryses.
- Opptining av frossenmat i kjøleskapsdelen vil både være energisparende og bevare matkvaliteten.

Anbefalinger for ferskvareraskuff * EKSTRAUTSTYR

- Pass på at matvarer ikke kommer i kontakt med temperaturføleren i ferskvareraskuffen. For å sikre at den ideelle oppbevaringstemperaturen i ferskvareraskuffen opprettholdes, må ikke føleren blokkeres av matvarer.
- Ikke sett varm mat inn apparatet.



3 Montering

- ⚠ Vennligst husk at produsenten ikke skal holdes ansvarlig hvis informasjonen som gis i bruksanvisningen ikke overholdes.

Forberedelse

- Kjøleskapet skal ha minst 30 centimeters avstand fra varmekilder, slik som f.eks. komfyrer, ovner, sentralvarme og kokeplater, samt minst 5 centimeters avstand fra elektriske ovner og skal ikke plasseres i direkte sollys.
- Omgivelsestemperaturen i det rommet der kjøleskapet plasseres, skal være minst 10 °C. Bruk av kjøleskapet under kaldere forhold enn dette anbefales ikke av hensyn til yteevnen.
- Vennligst sørg for at de innvendige delene av kjøleskapet rengjøres grundig.
- Hvis to kjøleskap skal plasseres ved siden av hverandre, skal det være en avstand på minst 2 cm mellom dem.
- Vennligst etterfølg følgende instruksjoner de første seks timene når du bruker kjøleskapet for første gang.
 - Døren skal ikke åpnes ofte.
 - Det skal være tomt, dvs. uten mat.Ikke trekk ut støpselet til kjøleskapet. Hvis et strømbrydd oppstår som du ikke kan kontrollere, vennligst se advarsler i avsnittet "Anbefalte løsninger på problemer".

- Originalinnpakningen og skummateriale skal beholdes for fremtidig transport eller flytting.

Punkter som er viktige ved ytterligere transportering av kjøleskapet

1. Kjøleskapet må tømmes og rengjøres før transport.
2. Hyller, tilbehør, grønnsaksoppbevaringsboks osv. i kjøleskapet må festes godt med teip for å unngå støt før innpakning.
3. Innpakningen må festes med tykk teip og solide tau, og instruksjoner om transport på pakningen må følges.

Vennligst ikke glem...

All resirkulert materiale er en uunnværlig kilde for naturen og for våre nasjonale ressurser.

Hvis du ønsker å bidra med resirkulering av innpakkingsmaterialer, kan du få mer informasjon fra miljøorganisasjoner eller lokale myndigheter.

The climate class rate of your appliance is given on the rating label located inside the appliance. It specifies the appropriate operating ambient temperatures as explained below.

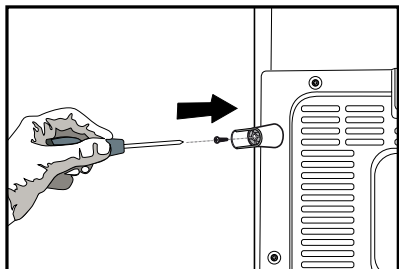
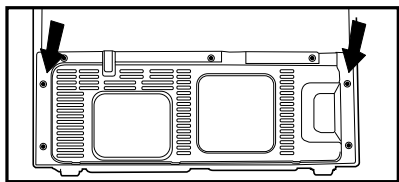
Climatic class Ambient temperatures

SN.....	+10 °C to 32 °C
N	+16 °C to 32 °C
ST.....	+18 °C to 38 °C
T	+18 °C to 43 °C
SN-ST	+10 °C to 38 °C
SN-T.....	+10 °C to 43 °C

Før du bruker kjøleskapet

Før du begynner å bruke kjøleskapet, må du kontrollere følgende:

1. Er de innvendige delene av kjøleskapet tørre, og kan luften sirkulere fritt på baksiden av skapet?
2. Sett inn de 2 plastkilene på den bakre ventilasjonen slik det er anvist i følgende illustrasjon. Sku løs de eksisterende skruene og bruk de skruene som finnes i samme pose som kilene. Plastkiler sørger for en riktig avstand mellom kjøleskap og vegg, slik at det blir en godluftsirkulasjon.



3. Rengjør de innvendige delene av kjøleskapet slik det er anbefalt i avsnittet "Vedlikehold og rengjøring".
4. Sett kjøleskapets støpsel inn i strømuttaket. Hvis døren er åpen, vil interiørlyset tennes.
5. Kompressoren avgir lyd når den starter opp. Væsken og gassene som er forseglet inne i kjølesystemet kan også avgi lyd selv om kompressoren ikke går, noe som for øvrig er helt normalt.
6. Frontkantene på kjøleskapet kan føles varme. Dette er normalt. Disse delene på kjøleskapet er konstruert slik at de blir varme for å unngå kondens.

Elektrisk tilkobling

Tilkoble kjøleskapet til et jordet uttak som har en sikring med tilstrekkelig kapasitet.

Viktig:

- Tilkoplingen skal være i overensstemmelse med nasjonale forskrifter.
 - Strømledningens støpsel skal være lett tilgjengelig etter monteringen.
 - Spenning og tillatt sikringsvern er spesifisert i avsnittet "Tekniske spesifikasjoner".
 - Oppgitt spenning må være lik spenningen til strømmettet.
 - Skjøtekabler og flerveisplugger skal ikke brukes for tilkobling.
- ⚠ En ødelagt strømledning skal skiftes ut av en kvalifisert elektriker.
- ⚠ Apparatet skal ikke brukes med mindre det er reparert! Det er fare for elektrisk støt!

Avfallshåndtering av emballasje

Innpakningsmaterialer kan være farlige for barn. Hold innpakningsmaterialene utilgjengelig for barn eller kast dem ved sortering etter avfallsforskriftene. Ikke kast dem sammen med normalt husholdningsavfall.

Emballasjen til kjøleskapet er produsert av resirkulerbare materialer.

Avfallshåndtering av det gamle kjøleskapet

Kast det gamle kjøleskapet uten å skade miljøet.

- Du kan forhøre deg hos din autoriserte forhandler eller ved renovasjonsanlegget der du bor om avfallshåndteringen av kjøleskapet.

Kutt av støpselet før du kaster kjøleskapet, og hvis det er lås på døren, må du sørge for at den ikke lenger kan brukes, slik at barn beskyttes mot enhver farlig situasjon.

Plassering og montering

OBS: Plugg aldri kjøleskapet inn i vegguttaket under monteringen. Dette kan medføre død eller alvorlig skade.

Hvis inngangsdøren til rommet der kjøleskapet skal plasseres ikke er bred nok til å få gjennom kjøleskapet, ring en autorisert person som kan fjerne dørene på kjøleskapet og få det gjennom døren sideveis.

1. Plasser kjøleskapet på et sted det er enkelt å bruke det.

2. Hold kjøleskapet på avstand fra varmekilder, fuktige steder og direkte sollys.

3. Det skal være tilstrekkelig luftventilasjon rundt kjøleskapet for å oppnå en effektiv drift.

Hvis kjøleskapet skal plasseres i en innbygging i veggen, må det være minst 5 cm avstand fra taket og 5 cm fra veggen.

Hvis gulvet er dekket med et teppe, skal apparatet heves 2,5 cm fra gulvet.

4. Plasser kjøleskapet på et plant gulv for å unngå risting.

5. Ikke oppbevar kjøleskapet i omgivelser med temperaturer under 10°C.

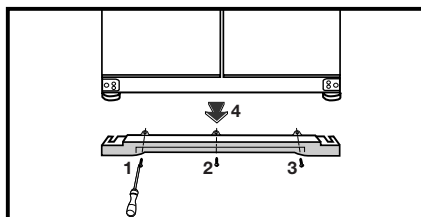
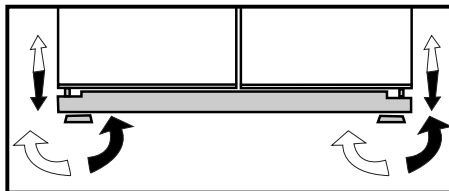
Justering av gulvbalansen

Hvis kjøleskapet ikke er balansert:

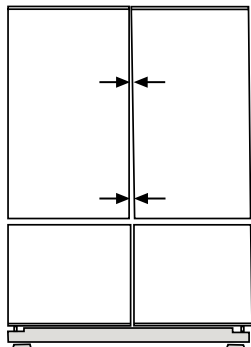
1- Fjern ventilasjonsdekselet ved å skru løs skruene, slik det er vist i illustrasjonen. Du kan balansere kjøleskapet ved å rotere frontbeina slik det er vist i illustrasjonen. Hjørnene med ben senkes når du roterer dem i retningen av den svarte pilen og løftes når du roterer i motsatt retning. Det er lettere hvis du får hjelp til å løfte kjøleskapet mens du gjennomfører denne prosessen.

2. Når kjøleskapet er i balanse, monterer du ventilasjonsdekselet og fester skruene som medfølger.

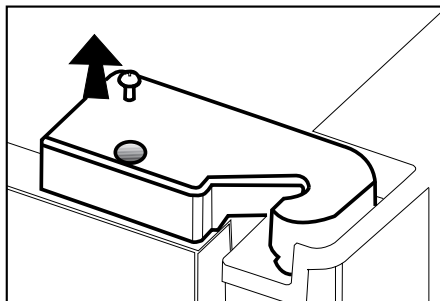
3. Fjern skruene som holder på plass nedre ventilasjonsdeksel ved bruk av en Philips skrutrekker.



Justering av avstanden til den øvre døren

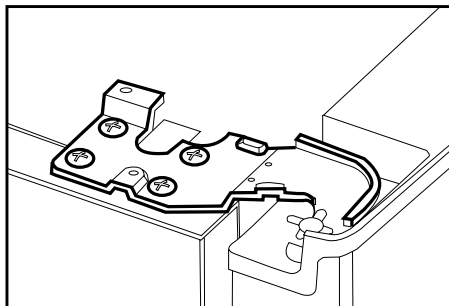


- Du kan justere avstanden mellom kjøleskapsdørene slik det er vist i illustrasjonen.

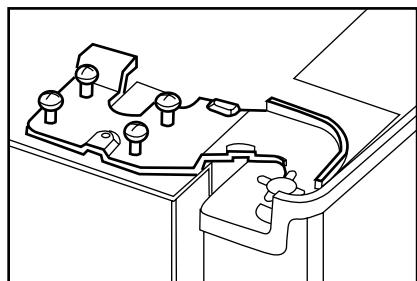
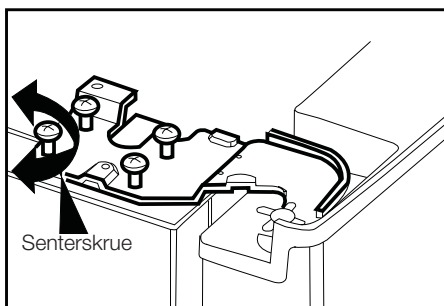


Dørhyllene skal være tomme ved justering av dørhøyden.

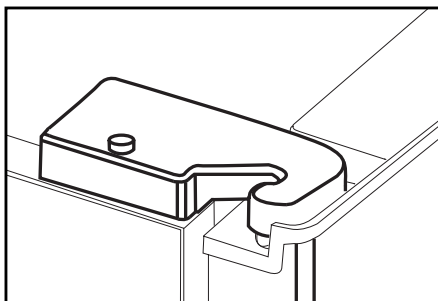
- Ved bruk av en skrutrekker fjernes skruen på øvre hengseldeksel på døren du ønsker å justere.



- Juster døren etter ønske ved å løsne skruene.



- Fest døren du justerte ved å trekke til skruene uten å skifte posisjon på døren.

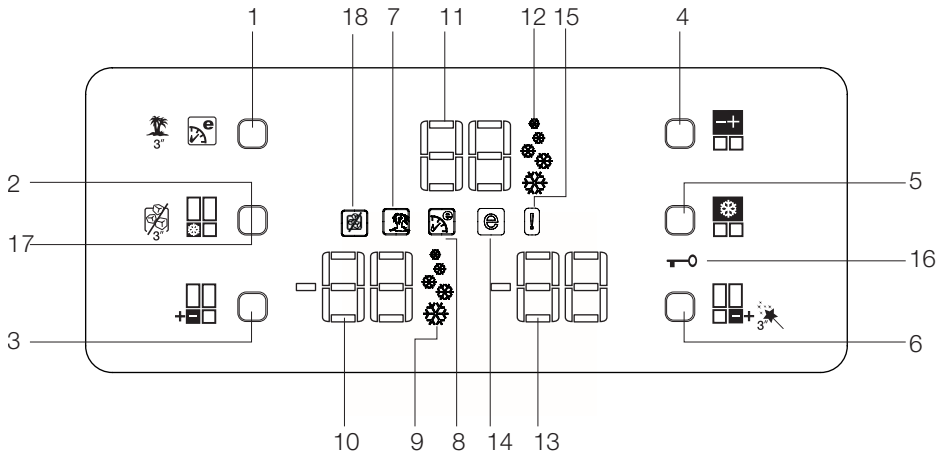


- Sett på hengseldekslet og fest det med skruen.

4 Bruk av kjøleskapet

Indikatorpanel

Dette berøringskontrollindikatorpanelet gjør at du kan stille inn temperaturen uten å åpne døren på kjøleskapet. Bare berør den tilhørende knappen med fingeren for å stille inn temperaturen.



1. Eco Extra/ferie-knapp
2. Hurtigfrys/ av-knapp for isfunksjon
3. Knapp til temperaturinnstillingsindikator
4. Kjøleskapets temperaturinnstillingsknapp
5. Hurtigkjølingsknapp
6. Temperaturinnstillingsknapp til fleksisoneoppbevaring
7. Feriefunksjonsindikator
8. Eco Extra funksjonsindikator
9. Funksjonsindikator for hurtigfrys
10. Temperaturindikator for fryser
11. Temperaturindikator for kjøleskap
12. Hurtigkjølingsfunksjonsindikator
13. Temperaturindikator til fleksisoneoppbevaringen
14. Økonomimodusindikator
15. Feilstatusindikatorer
16. Tastelåsindikator
17. Av-knapp til isfunksjon
18. Av-knapp til isfunksjon

i Illustrasjonene i denne veiledningen er skjematiske og kan derfor være litt forskjellige fra ditt produkt. Hvis noen deler ikke medfølger produktet du har kjøpt, gjelder den for andre modeller.

1. Eco Extra/ferie-knapp

Trykk kort på denne knappen for å aktivere Eco Extra-funksjonen. Trykk og hold denne knappen i 3 sekunder for å aktivere feriefunksjonen. Trykk på denne knappen igjen for å deaktivere den valgte funksjonen.

2. Hurtigfrysknapp

Trykk kort på denne knappen for å aktivere hurtigfrysfunksjonen. Trykk på denne knappen igjen for å deaktivere den valgte funksjonen.

3. Knapp til temperaturinnstillingsindikator

Trykk på denne knappen for å stille inn temperaturen i fryserdelen på henholdsvis -18, -20, -22, -24, -18... Trykk på denne knappen for å stille inn ønsket temperatur på fryseren.

4. Kjøleskapets temperaturinnstillingsknapp

Trykk på denne knappen for å stille inn temperaturen i kjøleskapet på henholdsvis 8, 6, 4, 2, 8... Trykk på denne knappen for å stille inn ønsket temperatur på kjøleskapet.

5. Hurtigkjølingsknapp

Trykk kort på denne knappen for å aktivere hurtigkjølingsfunksjonen. Trykk på denne knappen igjen for å deaktivere den valgte funksjonen.

6. Temperaturinnstillingsknapp til fleksisoneoppbevaring

Du kan stille inn fleksisoneoppbevaringen enten som fryser eller kjøleskap. Trykk og hold denne knappen i 3 sek. for å stille inn fleksisoneoppbevaringen enten som fryser eller kjøleskap. Denne delen er stilt inn som fryserdel fra fabrikk.

Hvis fleksisjonen er stilt inn som fryser, vil temperaturen på denne endres til henholdsvis -18, -20, -22, -24, -18... for hver gang du trykker på denne knappen. Hvis fleksisjonen er stilt inn som kjøler, vil temperaturen på denne endres til henholdsvis -6, 0, 2, 4, 6, 8, 10... for hver gang du trykker på denne knappen.

7. Feriefunksjonsindikator

Indikerer at feriefunksjonen er aktiv. Hvis denne funksjonen er aktiv, vises " - -" på indikatoren døren på kjøleskapet, og det utføres ingen nedkjøling i kjøleskapet. Andre deler vil være nedkjølte i overensstemmelse med temperaturen som er stilt inn for dem.

Trykk på den tilhørende knappen igjen for å deaktivere denne funksjonen.

8. Eco Extra funksjonsindikator

Indikerer at Eco Extra-funksjonen er aktiv. Hvis denne funksjonen er aktiv, vil kjøleskapet automatisk oppdage de siste bruksperiodene, slik at det utføres energieffektiv kjøling i løpet av disse tidene. Økonomi-indikatoren vil være aktiv når det utføres energieffektiv nedkjøling.

Trykk på den tilhørende knappen igjen for å deaktivere denne funksjonen.

9. Funksjonsindikator for hurtigfrys

Indikerer at hurtigfrysfunksjonen er aktiv. Bruk denne funksjonen når du plasserer fersk mat i fryserdelen eller når du trenger is. Når denne funksjonen er aktiv, vil kjøleskapet gå i 6 timer uten stopp.

Trykk på den tilhørende knappen igjen for å deaktivere denne funksjonen.

10. Temperaturindikator for fryser

Indikerer temperaturen som er stilt inn for fryserdelen.

11. Temperaturindikator for kjøleskap

Indikerer temperaturen som er stilt inn for kjøleskapet.

12. Hurtigkjølingsfunksjonsindikator

Indikerer at hurtigkjølingsfunksjonen er aktiv. Bruk denne funksjonen når du plasserer fersk mat i kjøleskapet eller når du trenger å kjøle ned maten hurtig. Når denne funksjonen er aktiv, vil kjøleskapet gå i 2 timer uten stopp.

Trykk på den tilhørende knappen igjen for å deaktivere denne funksjonen.

13. Temperaturindikator til fleksisoneoppbevaringen

Indikerer den innstilte temperaturen til fleksisjonen.

14. Økonomimodusindikator

Indikerer at kjøleskapet kjører i energieffektiv modus. Temperatur i fryseren

Denne indikatoren vil være aktiv hvis funksjonen er stilt på -18, eller den energieffektive kjølingen utføres på grunn av Eco-Extra-funksjonen.

15. Feilstatusindikatorer

Hvis kjøleskapet ikke kjøler ordentlig eller hvis det er en sensorsvikt, vil denne indikatoren aktiveres. Når denne indikatoren er aktiv, vil fryserdeltemperaturen indikere "E" og kjøleskapstemperaturen vil vise tall, slik som "1, 2, 3...". Disse tallene på indikatoren gir informasjon om feilen til servicepersonell.

16. Tastelåsindikator

Bruk denne funksjonen hvis du ikke ønsker å endre kjøleskapets temperaturinnstilling. Trykk på hurtigkjølingsknappen og fleksisjonenens temperaturinnstillingsknapp samtidig i 3 sek. for å aktivere denne funksjonen.

Trykk på de tilhørende knappene igjen for å deaktivere denne funksjonen.

17. Av-knapp til isfunksjon

For å avbryte funksjonen for laging av is, trykkes isfunksjons av-knapp i 3 sekunder. Når du avbryter laging av is, vil det ikke sendes vann til isboksen. Til tross for dette kan det fortsatt være litt igjen i isboksen, og dette kan tømmes ut. For å starte laging av is igjen, trykkes isfunksjon av-knapp i 3 sekunder.

18. Av-knapp til isfunksjon

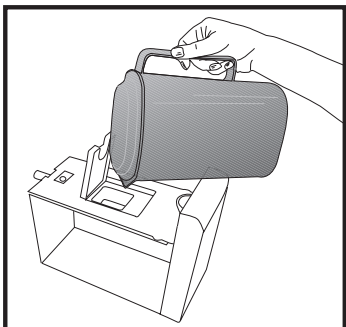
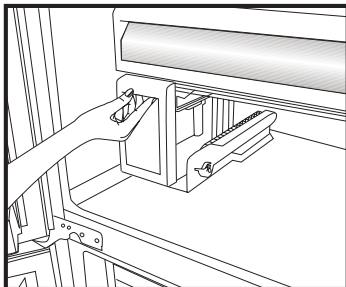
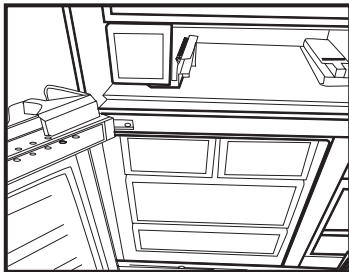
Hvis du ikke ønsker å få is fra kjøleskapet, må du bruke denne funksjonen. Du kan bruke denne funksjonen ved å trykke på isfunksjonens av-knapp i 3 sekunder.

Alarm for åpen dør:

Hvis en av kjøleskapsdørene eller døren til **flexisonener** åpne i minst 1 minutt, vil det aktiveres en hørbar døralarm. Trykk på en av knappene på indikatoren, eller lukk den åpne døren for å slå av alarmer.

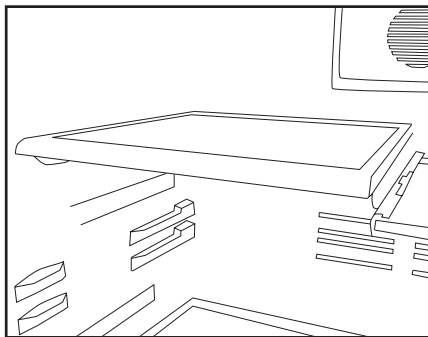
Auto Icematic

Ismaskinen Auto Icematic sørger for at du på en enkel måte kan få is fra fryseren. Ta ut vanntanken i fryserdelen, fyll den med vann og sett den på plass igjen for å få is fra ismaskinen. Den første isen vil være ferdig i isskuffen i fryserdelen i løpet av 2 timer. Du kan få 70 isbiter hvis vanntanken er helt full. Bytt ut vannet i vanntanken hvis det har vært der i mer enn 2-3 uker.



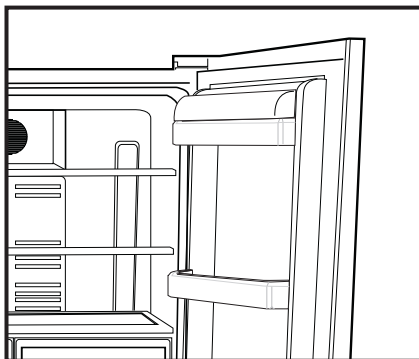
Glidehyller med feste bak

Glidehyllene med feste bak kan flyttes fram og tilbake. Høyden kan også justeres ved å flytte dem til et lavere eller høyere feste. Løft hyllen litt opp og dra den mot deg for å ta den ut.



Hylle for smør og ost

Matvarer som smør, ost og margarin oppbevares i denne hyllen med deksel.



Eggbrett

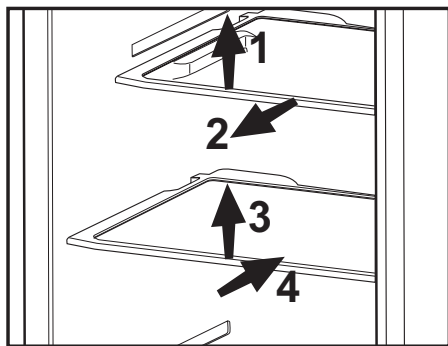
- Du kan installere eggholderen til ønsket dør eller hylle.
- Lagre aldri eggholderen i fryseren.

Glidehyller

- Glidehyllene kan trekkes ut ved å løfte litt opp foran og dermed flyttes frem og tilbake. De kan flyttes til et visst punkt når de trekkes fremover, slik at du når maten som er plassert bakerst på hyllen; når den trekkes ut etter å ha blitt løftet opp ved det andre stoppunktet, vil hyllen frigjøres.

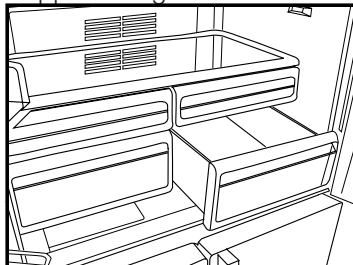
Hyllen skal også holdes godt nedenfra for å forhindre at den velter. Hyllen plasseres på skinnene i siden på kjøleskapet ved å bringe den til et nivå lavere eller høyere.

Hyllen skal skyves tilbake for å festes helt.



Grønnsaksopbevaring

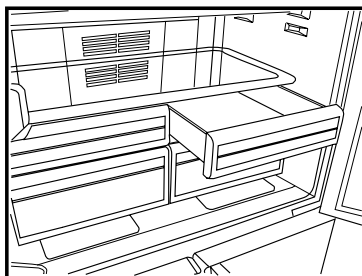
Grønnsaksskuffen i kjøleskapet er utformet spesielt til å holde grønnsakene dine ferske uten at de mister fuktigheten. Til dette formålet sirkulerer kald luft rundt fruktoppbevaringen.



Kjøledel

Kjøledelen gjør at mat som skal fryses blir klar til frysing. Du kan også bruke disse delene til å oppbevare maten din ved en temperatur som er noen få grader under kjøleskapsdelen.

Du kan øke det innvendige volumet på kjøleskapet ved å fjerne en av snackdelene. For å gjøre dette, trekk delen mot deg; delen vil hvile mot stopperen og stoppe. Denne delen vil frigis når du løfter den omtrent 1 cm og trekker den mot deg.

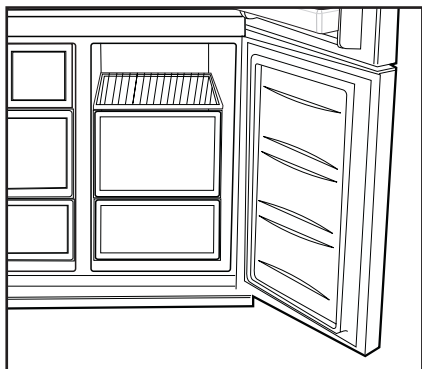


Roterende midtseksjon

Den roterende midtseksjonen er beregnet til å forhindre at den kalde luften inne i kjøleskapet strømmer ut. Den roterende midtseksjonen hjelper til med tetningen, siden pakningene på døren trykker mot overflaten på den roterende midtseksjonen når dørene på kjøleskapet er lukket. En annen grunn til at kjøleskapet er utstyrt med en roterende midtseksjon er fordi den øker nettovolumet til kjøleskapet. Standard midtseksjoner tar opp ubrukelig volum i kjøleskapet.

Flexisone oppbevaringsdel

Flexisoneoppbevaringen i kjøleskapet kan brukes i enhver ønsket modus ved å justere den til kjøle-(-2/-4/-6/-8 °C) eller fryserstemperaturer (-18/-20/-22/-24). Du kan holde kjøleskapet ved ønsket temperatur med temperaturinnstillingsknappen for flexisonedelen. Temperaturen på

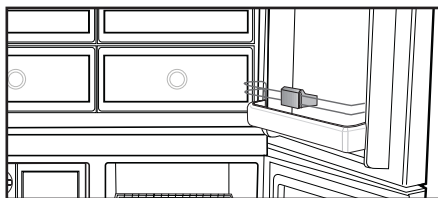


flexisonedelen kan stilles på 0 og 10 grader i tillegg til kjøleskapsdelen og på -6 grader i tillegg til fryserdeltemperaturene. 0 grader brukes til å lagre delikatesserprodukter lengre, og -6 grader brukes til å oppbevare kjøtt i opptil 2 uker i en tilstand som lett kan skjæres opp.

i Funksjonen for å bytte fra kjøleskap til fryserdel gis gjennom et kjøleelement som befinner seg i den lukkede delen (kompressorhuset) bak kjøleskapet. Når dette elementet er i drift, avgir det en lyd lik lyden av sekundviseren til en analog klokke. Dette er normalt og er ingen feil.

Blått lys

Maten som oppbevares i grønnsaksbeholderen som er opplyst med et blått lys fortsetter fotosyntesen med bølgelengdeeffekten fra det blå lyset og beholder dermed ferskheten og øker vitamininnholdet.



5 Vedlikehold og rengjøring

- ⚠ Bruk aldri bensin, benzen eller lignende stoffer til rengjøring.
- ⚠ Vi anbefaler at du trekker ut støpselet på apparatet før rengjøring.
- 🔧 Bruk aldri noen skarpe redskaper eller rengjøringsmidler med skureeffekt, såpe, rengjøringsmidler for hjemmebruk eller voks til rengjøringen.
- 🔧 Bruk lunkent vann for å vaske skapet og tørk det tørt.
- 🔧 Bruk en fuktig klut vridd opp i en oppløsning av en teskje bikarbonatsoda til ca. ½ liter vann for å rengjøre innsiden av skapet og tørk det tørt.
- ⚠ Pass på at det ikke kommer vann inn i pærehuset eller andre elektriske gjenstander.
- ⚠ Hvis kjøleskapet ikke skal brukes over en lengre periode, må du trekke ut støpselet, ta ut alle matvarer, rengjøre det og sette døren på klem.
- 🔧 Kontroller pakningene til dørene jevnlig for å sikre at de er rene og fri for matrester.
- 🔧 For å demontere dørstativene tar du først ut alt innholdet og så skyver du ganske enkelt dørstativet opp fra bunnen.

Beskyttelse av plastoverflater

- 🔧 Ikke sett flytende oljer eller oljekokte måltider i kjøleskapet i uforseglede beholdere, da disse kan ødelegge plastoverflatene i kjøleskapet. Ved søling eller smøring av olje på plastoverflater, rengjør og rens denne delen av overflaten med en gang med varmt vann.

6 Anbefalte løsninger på problemer

Gå igjennom følgende liste før du ringer etter service. Det kan spare deg tid og penger. Denne listen inkluderer hyppige klager som ikke oppstår fra defekt utføring eller materialbruk. Noen av funksjonene som beskrives her finnes kanskje ikke i ditt produkt.

Kjøleskapet virker ikke
<ul style="list-style-type: none">• Er kjøleskapet plagget inn? Sett støpselet inn i strømuttaket.• Har sikringen til uttaket kjøleskapet er tilknyttet eller hovedsikringen gått? Kontroller sikringen.
Kondens på sideveggen av kjøleskapet. (MULTI ZONE, COOL CONTROL og FLEXI ZONE)
<ul style="list-style-type: none">• Svært kalde omgivelser. Hyppig åpning eller lukking av døren. Svært fuktige omgivelser. Lagring av mat som inneholder væske i åpne beholdere. Døren står på gløtt.• Still termostaten til en kaldere grad.• Reduser tiden døren står åpen eller bruk mindre hyppig.• Dekk til mat som lagres i åpne beholdere med egnet materiale.• Tørk av kondensen med en tørr klut og kontroller om problemet fortsetter.
Kompressoren går ikke
<ul style="list-style-type: none">• Termovern for kompressoren vil koples ut under plutselig strømbrudd eller utplugging og innplugging hvis kjølevæsketrykket i kjølesystemet til kjøleskapet ikke er balansert.• Kjøleskapet vil starte etter ca. 6 minutter. Vennligst ring etter service hvis kjøleskapet ikke starter etter utløpet av denne tiden.• Kjøleskapet er i defrostsyklus. Dette er normalt for et helautomatisk avisningskjøleskap. Avisningssyklusen gjennomføres regelmessig.• Kjøleskapet er ikke tilkoplest strømuttaket. Kontroller at støpselet er satt godt inn i kontakten.• Er temperaturinnstillingene foretatt riktig? Det har oppstått strømbrudd. Ring strømleverandøren.

Kjøleskapet går hyppig eller over lang tid.
<ul style="list-style-type: none"> • Det nye kjøleskapet kan være bredere enn det gamle. Dette er helt normalt. Store kjøleskap arbeider over lengre tidsperioder. • Romtemperaturen kan være høy. Dette er helt normalt. • Kjøleskapet kan ha vært plagget inn nylig eller blitt lastet med mat. Fullstendig nedkjøling av kjøleskapet kan ta et par timer lenger. • Store mengder varm mat har blitt lagt inn i kjøleskapet nylig. Varm mat forårsaker lengre drift av kjøleskapet inntil den oppnår sikker oppbevaringstemperatur. • Dørene kan ha vært åpnet hyppig eller stått på gløtt i lang tid. Varm luft som har kommet inn i kjøleskapet gjør at kjøleskapet kjører over lang tid. Åpne dørene mindre hyppig. • Fryser- eller kjøleskapsdør kan ha stått på gløtt. Kontroller om dørene er godt lukket. • Kjøleskapet er justert til svært kald temperatur. Juster kjøleskapets temperatur til høyere grad og vent inntil temperaturen er oppnådd. • Dørtetningen til kjøleskapet eller fryseren kan være tilsusset, utslitt, ødelagt eller ikke på plass. Rengjør eller skift ut tetningen. Skadet/ødelagt tetning gjør at kjøleskapet går over lang tid for å opprettholde aktuell temperatur.
Frysertemperaturen er svært lav, mens kjøleskapstemperaturen er tilstrekkelig.
<ul style="list-style-type: none"> • Fryserens temperatur er justert til en svært lav temperatur. Juster fryserens temperatur til en høyere grad og kontroller.
Kjøleskapstemperaturen er svært lav, mens frysertemperaturen er tilstrekkelig.
<ul style="list-style-type: none"> • Kjøleskapets temperatur er justert til svært lav temperatur. Juster kjøleskapets temperatur til en høyere grad og kontroller.
Mat som oppbevares i skuffene fryser.
<ul style="list-style-type: none"> • Kjøleskapets temperatur er justert til svært lav temperatur. Juster kjøleskapets temperatur til en høyere grad og kontroller.
Temperaturen i kjøleskapet eller fryseren er svært høy.
<ul style="list-style-type: none"> • Kjøleskapets temperatur er justert til svært høy grad. Kjøleskapsjusteringen har virkning på temperaturen til fryseren. Endre temperaturen i kjøleskapet eller fryseren inntil kjøleskapets eller fryserens temperatur når et tilstrekkelig nivå. • Døren kan ha stått på gløtt. Lukk døren helt. • Store mengder varm mat har blitt lagt inn i kjøleskapet nylig. Vent inntil kjøleskap eller fryser når ønsket temperatur. • Kanskje kjøleskapet nettopp ble tilkoblet. Fullstendig nedkjøling av kjøleskapet tar tid pga. størrelsen.
Lyd som ligner lyden fra sekundviseren til en analog klokke kommer fra kjøleskapet.
<ul style="list-style-type: none"> • Lyden kommer fra solenoidventilen på kjøleskapet. Solenoidventilen har til hensikt å sikre at kjølemiddelet passerer gjennom delen som kan justeres til kjøle- eller frysetemperaturer og utføre kjølefunksjoner. Dette er normalt og er ingen feil.

Driftslyden øker når kjøleskapet går.
<ul style="list-style-type: none"> • Ytelsesevnen til kjøleskapet kan endres ved endringer i omgivelsestemperaturen. Dette er helt normalt og er ingen feil.
Vibrasjon eller klapping.
<ul style="list-style-type: none"> • Gulvet er ikke jevnt eller er svakt. Kjøleskapet vugger når det flyttes sakte. Se til at gulvet er jevnt, sterkt og har evne til å bære kjøleskapet. • Støyen kan forårsakes av gjenstandene som legges inn i kjøleskapet. Slike gjenstander skal fjernes fra toppen av kjøleskapet.
Det er lyder som ligner væskesøl eller spraying.
<ul style="list-style-type: none"> • Væske- og gasstrømninger skjer etter virkeprinsippene til kjøleskapet. Dette er helt normalt og er ingen feil.
Det høres støy som om det blåser vind.
<ul style="list-style-type: none"> • Luftfifter brukes for at kjøleskapet skal kjøle effektivt. Dette er helt normalt og er ingen feil.
Kondens på de indre veggene på kjøleskapet.
<ul style="list-style-type: none"> • Varmt og fuktig vær øker ising og kondens. Dette er helt normalt og er ingen feil. • Dørene står på gløtt. Se til at dørene lukkes fullstendig. • Dørene kan ha vært åpnet svært hyppig eller stått åpne i lang tid. Åpne døren mindre hyppig.
Fuktighet oppstår på utsiden av kjøleskapet eller mellom dørene.
<ul style="list-style-type: none"> • Været kan være fuktig. Dette er helt normalt ved fuktig vær. Når fuktigheten er lavere, vil kondensen forsvinne.
Dårlig lukt inne i kjøleskapet.
<ul style="list-style-type: none"> • Det må rengjøres inni kjøleskapet. Rengjør innsiden av kjøleskapet med en svamp, varmt vann eller karbonert vann. • Noen beholdere eller innpakningsmaterialer kan forårsake lukten. Bruk en annen beholder eller annet merke på innpakningsmaterialet.
Døren(e) lukkes ikke.
<ul style="list-style-type: none"> • Matpakninger forhindrer lukking av døren. Flytt pakninger som forhindrer lukking av døren. • Kjøleskapet er antagelig ikke plassert helt vertikalt på gulvet og kan vugge når det beveges forsiktig. Juster høydeskruene. • Gulvet er ikke jevnt eller sterkt. Se til at gulvet er jevnt og har evne til å bære kjøleskapet.
Grønnsaksoppbevaringsboksene sitter fast.
<ul style="list-style-type: none"> • Mat kan berøre taket i skuffen. Omplasser maten i skuffen.

48 7095 0012/AH
en-de-fr-da-el-ru
hr-fa-lit-pt-nl-lv-it-fin-sv-no

Free Manuals Download Website

<http://myh66.com>

<http://usermanuals.us>

<http://www.somanuals.com>

<http://www.4manuals.cc>

<http://www.manual-lib.com>

<http://www.404manual.com>

<http://www.luxmanual.com>

<http://aubethermostatmanual.com>

Golf course search by state

<http://golfingnear.com>

Email search by domain

<http://emailbydomain.com>

Auto manuals search

<http://auto.somanuals.com>

TV manuals search

<http://tv.somanuals.com>