



## Cisco Small Business

# ISA500 Series Integrated Security Appliances (ISA550, ISA550W, ISA570, ISA570W)

### Package Contents

- ISA500 Series Integrated Security Appliance
- Two Wi-Fi Antennas (for ISA550W and ISA570W only)
- Rack Mounting and Desktop Placement Kit
- Power Cord and Adapter
- RJ-45 Ethernet Cable
- Quick Start Guide
- Product CD

# Welcome

Thank you for choosing the Cisco ISA500 Series Integrated Security Appliance. This guide describes how to physically install the device and how to launch the ISA500 Series Configuration Utility to configure it.

## 1

### Before You Begin

Before you begin the installation, make sure that you have the following:

- An active Internet account.
- Mounting hardware and related tools. The mounting kit included with the device contains four rubber feet for desktop placement, two rack-mount brackets, two silicon rubber spacers, eight M3 screws, four M5 screws, and four washers for rack mounting. Instructions are provided for wall mounting, but the wall mounting hardware is user-supplied.
- RJ-45 Ethernet cables (Category 5E or higher) for connecting computers, WAN and LAN interfaces, or other devices.
- A computer with Microsoft Internet Explorer 8 or 9, or Mozilla Firefox 3.6.x, 5, or 6 for using the web-based device Configuration Utility.

### Default Settings

Parameter	Default Value
Username	cisco
Password	cisco
LAN IP	192.168.75.1
DHCP Range	192.168.75.100 to 200

To restore the factory defaults, choose one of the following actions:

- Press and hold the **RESET** button on the back panel of the unit for more than 3 seconds while the unit is powered on and the POWER/SYS light is solid green.
- Or launch the Configuration Utility and login. Click **Device Management > Reboot/Reset** in the left hand navigation pane. In the **Reset Device** area, click **Reset to Factory Defaults**.

# 2

## Getting to Know the Cisco ISA500 Series Integrated Security Appliances

This section lists the available model numbers to help you become familiar with your security appliance, and shows the front panel and back panel of the unit.

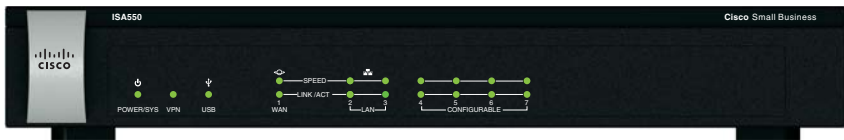
### Product Models

Model	Description	Configuration
<b>ISA550</b>	Cisco ISA550 Integrated Security Appliance	1 WAN port, 2 LAN ports, 4 configurable ports, and 1 USB 2.0 port
<b>ISA550W</b>	Cisco ISA550 Integrated Security Appliance with Wi-Fi	1 WAN port, 2 LAN ports, 4 configurable ports, 1 USB 2.0 port, and 802.11b/g/n
<b>ISA570</b>	Cisco ISA570 Integrated Security Appliance	1 WAN port, 4 LAN ports, 5 configurable ports, and 1 USB 2.0 port
<b>ISA570W</b>	Cisco ISA570 Integrated Security Appliance with Wi-Fi	1 WAN port, 4 LAN ports, 5 configurable ports, 1 USB 2.0 port, and 802.11b/g/n

**NOTE** Any configurable port can be configured to be a WAN, DMZ, or LAN port. Only one configurable port can be configured as a WAN port at a time. Up to 4 configurable ports can be configured as DMZ ports.

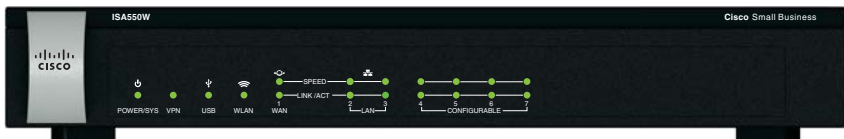
### Front Panel

#### ISA550 Front Panel



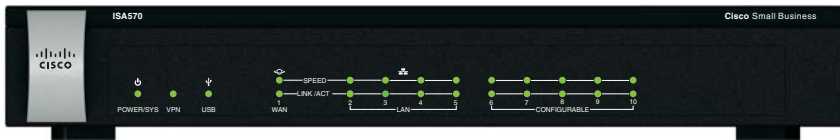
282351

#### ISA550W Front Panel



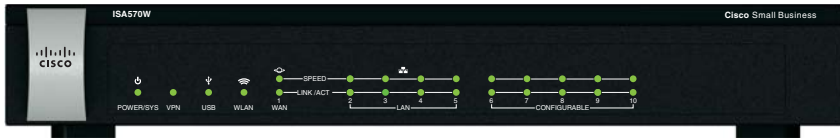
281983

## ISA570 Front Panel



282350

## ISA570W Front Panel



281980

## Front Panel Lights

The following table describes the lights on the front panel of the security appliance. These lights are used for monitoring system activity.

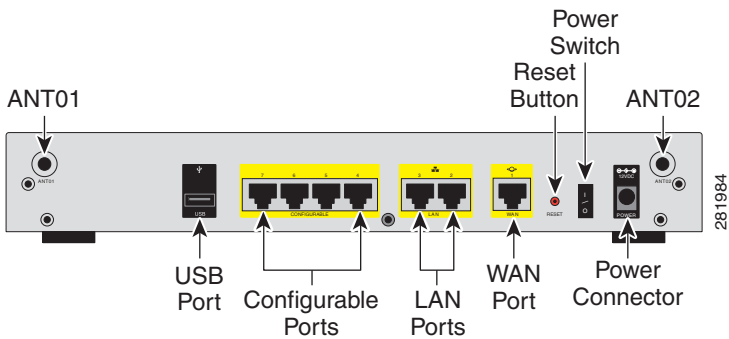
Light	Description
<b>POWER/SYS</b>	<p>Indicates the power and system status.</p> <ul style="list-style-type: none"> <li>▪ Solid green when the system is powered on and is operating normally.</li> <li>▪ Flashes green when the system is booting.</li> <li>▪ Solid amber when the system has a booting problem, a device error occurs, or the system has a problem.</li> </ul>
<b>VPN</b>	<p>Indicates the site-to-site VPN connection status.</p> <ul style="list-style-type: none"> <li>▪ Solid green when there are active site-to-site VPN connections.</li> <li>▪ Flashes green when attempting to establish a site-to-site VPN tunnel.</li> <li>▪ Flashes amber when the system is experiencing problems setting up a site-to-site VPN connection and there is no VPN connection.</li> </ul>
<b>USB</b>	<p>Indicates the USB device status.</p> <ul style="list-style-type: none"> <li>▪ Solid green when a USB device is detected and is operating normally.</li> <li>▪ Flashes green when the USB device is transmitting and receiving data.</li> </ul>
<b>WLAN</b> (ISA550W and ISA570W only)	<p>Indicates the WLAN status.</p> <ul style="list-style-type: none"> <li>▪ Solid green when the WLAN is up.</li> <li>▪ Flashes green when the WLAN is transmitting and receiving data.</li> </ul>

Light	Description
<b>SPEED</b>	<p>Indicates the traffic rate of the associated port.</p> <ul style="list-style-type: none"> <li>Off when the traffic rate is 10 or 100 Mbps.</li> <li>Solid green when the traffic rate is 1000 Mbps.</li> </ul>
<b>LINK/ACT</b>	<p>Indicates that a connection is being made through the port.</p> <ul style="list-style-type: none"> <li>Solid green when the link is up.</li> <li>Flashes green when the port is transmitting and receiving data.</li> </ul>

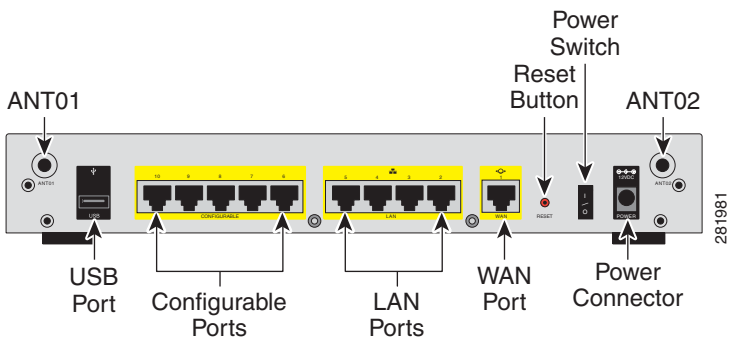
## Back Panel

The back panel is where you connect the network devices. The ports on the back panel vary depending on the model.

### ISA550 and ISA550W Back Panel



### ISA570 and ISA570W Back Panel



## Back Panel Descriptions

Feature	Description
ANT01/ANT02	Threaded connectors for the antennas (for ISA550W and ISA570W only).
USB Port	Connects the unit to a USB device. You can use a USB device to save and restore system configuration, or to upgrade the firmware.
Configurable Ports	Can be set to operate as WAN, LAN, or DMZ ports. The ISA550 and ISA550W have 4 configurable ports. The ISA570 and ISA570W have 5 configurable ports. <b>NOTE</b> Only one configurable port can be configured as a WAN port at a time. Up to 4 configurable ports can be configured as DMZ ports.
LAN Ports	Connects PCs and other network appliances to the unit. The ISA550 and ISA550W have 2 dedicated LAN ports. The ISA570 and ISA570W have 4 dedicated LAN ports.
WAN Port	Connects the unit to a DSL or cable modem, or other WAN connectivity device.
RESET Button	To reboot the unit, push and release the RESET button for less than 3 seconds.  To restore the unit to its factory default settings, push and hold the RESET button for a minimum of 3 seconds while the unit is powered on. The POWER/SYS light will flash green when the system is rebooting.
Power Switch	Powers the unit on or off.
Power Connector	Connects the unit to power using the supplied power cord and adapter.

### 3

## Mounting the Cisco ISA500 Series Integrated Security Appliances

You can place your security appliance on a desktop, mount it on a wall, or mount it in a rack.

### Placement Tips

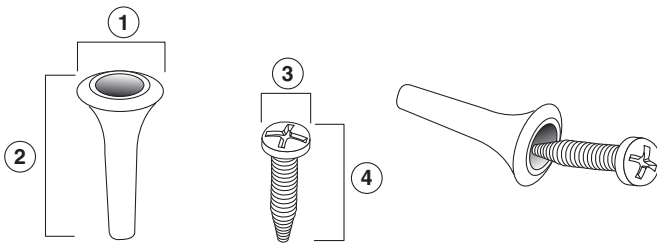
- **Ambient Temperature:** To prevent the security appliance from overheating, do not operate it in an area that exceeds an ambient temperature of 104°F (40°C).
- **Air Flow:** Be sure that there is adequate air flow around the security appliance.

- **Mechanical Loading:** Be sure that the security appliance is level and stable to avoid any hazardous conditions.

To place your security appliance on a desktop, install the supplied four rubber feet on the bottom of the security appliance. Place the security appliance on a flat surface.

## Wall Mounting

The wall mounting hardware is user-supplied. We recommend that you use the following mounting screws to install your security appliance to the wall. The wall-mounting features on the bottom of the unit allow the front of the unit to face either upward or downward.



196243

1 8 mm/0.32 in    2 25 mm/0.98 in    3 6.5 mm/0.26 in    4 18.6 mm/0.73 in



### WARNING

Insecure mounting might damage the device or cause injury. Cisco is not responsible for damages incurred by improper wall-mounting.

- STEP 1** Determine where you want to mount the security appliance. Verify that the surface is smooth, flat, dry, and sturdy.
- STEP 2** Secure two M3 x 0.63 inch (16 mm) pan head wood screws, with anchors, into the wall 9.21 inches (234 mm) apart horizontally. Leave about 1/8 inch (3 to 4 mm) of the screw threads beneath the screw head exposed.
- STEP 3** Place the wall-mount slots over the screws and slide the unit down until the screws fit snugly into the wall-mount slots.

## Rack Mounting

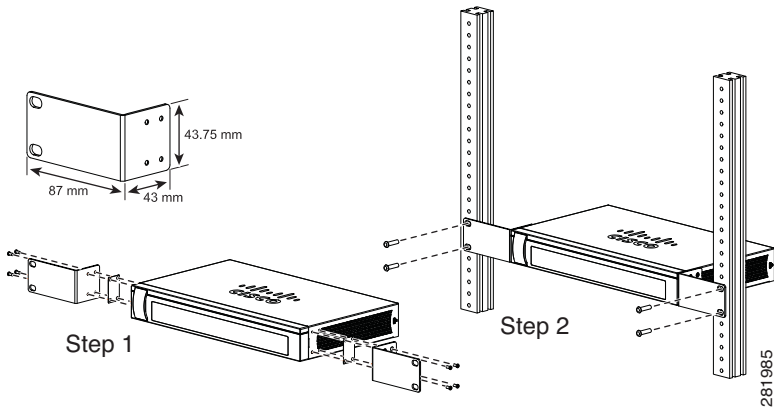
You can mount the security appliance in any standard size, 19-inch (about 48 cm) wide rack. The security appliance requires 1 rack unit (RU) of space, which is 1.75 inches (44.45 mm) high. The rack-mounting kit is included with the unit.



Do not overload the power outlet or circuit when installing multiple devices in a rack.

**STEP 1** Place one of the supplied silicon rubber spacers on the side of the security appliance so that the four holes align to the screw holes. Place the rack mount bracket next to the silicon rubber spacer and install the M3 screws.

**STEP 2** Install the security appliance into a standard rack as shown below. Place the washers on the brackets so that the holes align to the screw holes and then install the M5 screws.



## 4

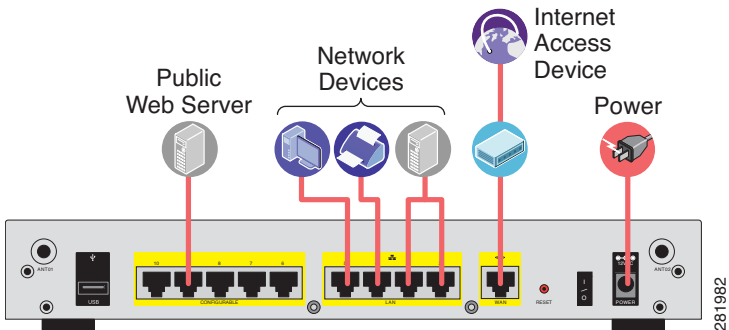
### Connecting the Cisco ISA500 Series Integrated Security Appliances

**STEP 1** If you are installing the ISA550W or ISA570W, screw each antenna onto a threaded connector on the back panel. Orient each antenna to point upward.

**STEP 2** Connect the security appliance to power using the supplied power cord and adapter. Make sure that the power switch is turned off.



- STEP 3** For a DSL or cable modem, or other WAN connectivity devices, connect an Ethernet network cable from the device to the WAN port on the back panel. Cisco strongly recommends using Category 5E or better cable.
- STEP 4** (Optional) For network devices, connect an Ethernet network cable from the network device to an available LAN port on the back panel.
- STEP 5** Power on the connected devices.
- STEP 6** Power on the security appliance. The lights on the front panel for all connected ports light up to show active connections.
- A sample configuration is illustrated below.



## 5

### Getting Started with the Configuration

You can log in to the ISA500 Series Configuration Utility and complete the initial configuration by using the Setup Wizard; follow these steps:

- STEP 1** Connect a computer to an available LAN port on the back panel of the security appliance.
- Your PC will become a DHCP client of the security appliance and will receive an IP address in the 192.168.75.x range.
- STEP 2** Start a web browser. In the Address bar, enter the default LAN IP address of the security appliance: **192.168.75.1**.
- STEP 3** When the login page opens, enter the username and password.
- The default username is **cisco**. The default password is **cisco**. Usernames and passwords are case sensitive.

**STEP 4** Click **Login**.

For security purposes, you must change the default password of the default administrator account.

**STEP 5** Enter the new administrator password and click **OK**.

The **Setup Wizard** will now launch.

**STEP 6** Follow the on-screen prompts to complete the initial configuration.

---

## 6

## Suggested Next Steps

Congratulations, you are now ready to start using your security appliance. You may want to configure some of the following items to secure your network:

- Upgrade your firmware to the latest version.
- Configure the VLANs, DMZs, and WLANs.
- Configure the zones.
- Configure the WAN redundancy if you have two ISP links.
- Configure the zone-based firewall.
- Configure the UTM services such as Intrusion Prevention (IPS), Anti-Virus, Application Control, Spam Filter, Web URL Filtering, and Web Reputation.
- Configure the VPNs for site-to-site and remote secure access.
- Configure the WAN, LAN, and Wireless QoS settings.

To configure these features, you can use the wizards or menus in the left navigation pane of the Configuration Utility. For complete details, see the Cisco ISA500 Series Integrated Security Appliances Administration Guide at: [www.cisco.com/go/isa500resources](http://www.cisco.com/go/isa500resources).

## 7

## Where to Go From Here

### Support

Cisco Small Business Support Community	<a href="http://www.cisco.com/go/smallbizsupport">www.cisco.com/go/smallbizsupport</a>
Cisco Small Business Support and Resources	<a href="http://www.cisco.com/go/smallbizhelp">www.cisco.com/go/smallbizhelp</a>
Phone Support Contacts	<a href="http://www.cisco.com/go/sbpc">www.cisco.com/go/sbpc</a>
Firmware Downloads	<a href="http://www.cisco.com/go/isa500software">www.cisco.com/go/isa500software</a>

### Product Documentation

Cisco ISA500 Series Integrated Security Appliances Technical Documentation	<a href="http://www.cisco.com/go/isa500resources">www.cisco.com/go/isa500resources</a>
--	--

### Cisco Small Business

Cisco Partner Central for Small Business (Partner Login Required)	<a href="http://www.cisco.com/web/partners/sell/smb">www.cisco.com/web/partners/sell/smb</a>
Cisco Small Business Home	<a href="http://www.cisco.com/smb">www.cisco.com/smb</a>

## Americas Headquarters

Cisco Systems, Inc.  
170 West Tasman Drive  
San Jose, CA 95134-1706  
USA

[www.cisco.com](http://www.cisco.com)

Small Business Support, Global: [www.cisco.com/go/sbsc](http://www.cisco.com/go/sbsc)



**78-19625-01**

Cisco and the Cisco Logo are trademarks of Cisco Systems, Inc. and/or its affiliates in the U.S. and other countries. A listing of Cisco's trademarks can be found at [www.cisco.com/go/trademarks](http://www.cisco.com/go/trademarks). Third party trademarks mentioned are the property of their respective owners. The use of the word partner does not imply a partnership relationship between Cisco and any other company. (1005R)

© 2012 Cisco Systems, Inc. All rights reserved.

## Free Manuals Download Website

<http://myh66.com>

<http://usermanuals.us>

<http://www.somanuals.com>

<http://www.4manuals.cc>

<http://www.manual-lib.com>

<http://www.404manual.com>

<http://www.luxmanual.com>

<http://aubethermostatmanual.com>

Golf course search by state

<http://golfingnear.com>

Email search by domain

<http://emailbydomain.com>

Auto manuals search

<http://auto.somanuals.com>

TV manuals search

<http://tv.somanuals.com>