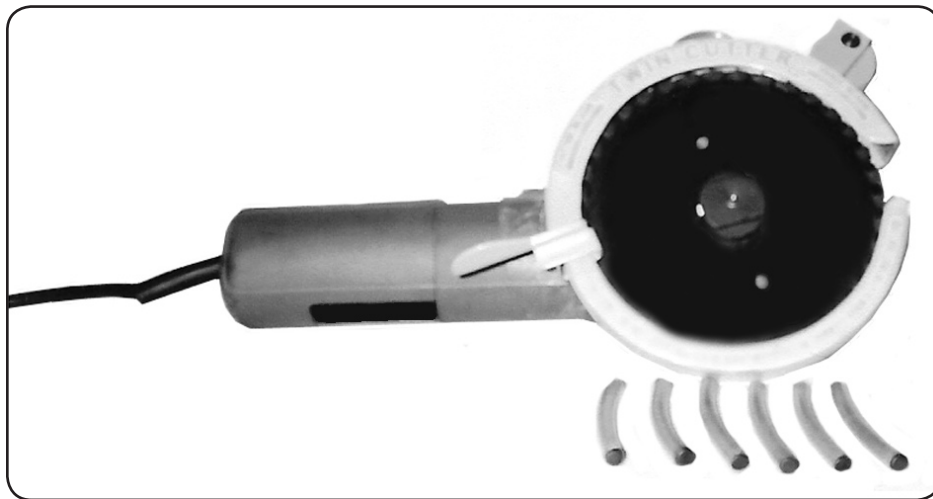


CHICAGO
Electric[®]Power Tools

TWIN CUTTER SAW

Models 94596 /
94896

ASSEMBLY AND OPERATION INSTRUCTIONS



Due to continuing improvements, actual product may differ slightly from the product described herein.



3491 Mission Oaks Blvd., Camarillo, CA 93011

Visit our website at: <http://www.harborfreight.com>

**TO PREVENT SERIOUS INJURY, READ AND UNDERSTAND
ALL WARNINGS AND INSTRUCTIONS BEFORE USE.**

Copyright© 2006 by Harbor Freight Tools®. All rights reserved. No portion of this manual or any artwork contained herein may be reproduced in any shape or form without the express written consent of Harbor Freight Tools.

For technical questions or replacement parts, please call 1-800-444-3353.

PRODUCT SPECIFICATIONS



	MODEL 94896 - 5" Twin Cutter Saw	MODEL 94596 - 6 ¹ / ₈ " Twin Cutter Saw
Motor	120 V~ / 60 Hz / 5.6 A / n ₀ 5,500/min	120 V~ / 60 Hz / 7.8 A / n ₀ 4,600/min
Power Switch	Slider Button with Automatic Shut-Off	
Power Cord	18 AWG x 2C SJT / 2-Prong Polarized Plug	
Saw Blades (Qty. 2, Included)	4 ⁷ / ₈ " Diameter / 32 Teeth 0.05" Individual Thickness Minimum 5,500 RPM Rating Carbide Tipped / Teflon [®] Coated	6 ¹ / ₈ " Diameter / 36 Teeth 0.064" Individual Thickness Minimum 4600 RPM Rating Carbide Tipped / Teflon [®] Coated
Maximum Cutting Depth	1 ¹ / ₈ " Wood 1/8" Mild Steel (Tubing & Sheets) 1/8" Plastic (Tubing & Sheets) 1/8" Copper, Stainless Steel, Aluminum, Cast Iron (Tubing & Sheets)	1 ¹ / ₂ " Wood 1/8" Mild Steel (Tubing & Sheets) 3/16" Plastic (Tubing & Sheets) 1/8" Copper, Stainless Steel, Aluminum, Cast Iron (Tubing & Sheets)
Overall Dimensions	13" Long x 6" Wide x 7 ³ / ₈ " High	13" Long x 6 ¹ / ₂ " Wide x 8" High
Unit Weight	7 lb.	11.2 lb.

SAVE THIS MANUAL

You will need this manual for the safety warnings and precautions, assembly, operating, inspection, maintenance and cleaning procedures, parts list and assembly diagram. Keep your invoice with this manual. Write the invoice number on the inside of the front cover. Keep this manual and invoice in a safe and dry place for future reference.

GENERAL SAFETY RULES

WARNING!

READ AND UNDERSTAND ALL INSTRUCTIONS
Failure to follow all instructions listed below may result in
electric shock, fire, and/or serious injury.
SAVE THESE INSTRUCTIONS

WORK AREA

1. **Keep your work area clean and well lit.** Cluttered benches and dark areas invite accidents.
2. **Do not operate power tools in explosive atmospheres, such as in the presence of flammable liquids, gases, or dust.** Power tools create sparks which may ignite the dust or fumes.
3. **Keep bystanders, children, and visitors away while operating a power tool.** Distractions can cause you to lose control. Protect others in the work area from debris such as chips and sparks. Provide barriers or shields as needed.

SKUs 94596 &
94896

For technical questions, please call 1-800-444-3353.

Page 2

ELECTRICAL SAFETY

1. **Grounded tools must be plugged into an outlet properly installed and grounded in accordance with all codes and ordinances. Never remove the grounding prong or modify the plug in any way. Do not use any adapter plugs. Check with a qualified electrician if you are in doubt as to whether the outlet is properly grounded.** If the tools should electrically malfunction or break down, grounding provides a low resistance path to carry electricity away from the user.
2. **Double insulated tools are equipped with a polarized plug (one blade is wider than the other). This plug will fit in a polarized outlet only one way. If the plug does not fit fully in the outlet, reverse the plug. If it still does not fit, contact a qualified electrician to install a polarized outlet. Do not change the plug in any way.** Double insulation eliminates the need for the three wire grounded power cord and grounded power supply system.
3. **Avoid body contact with grounded surfaces such as pipes, radiators, ranges, and refrigerators.** There is an increased risk of electric shock if your body is grounded.
4. **Do not expose power tools to rain or wet conditions.** Water entering a power tool will increase the risk of electric shock.
5. **Do not abuse the Power Cord. Never use the Power Cord to carry the tools or pull the Plug from an outlet. Keep the Power Cord away from heat, oil, sharp edges, or moving parts. Replace damaged Power Cords immediately.** Damaged Power Cords increase the risk of electric shock.
6. **When operating a power tool outside, use an outdoor extension cord marked “W-A” or “W”.** These extension cords are rated for outdoor use, and reduce the risk of electric shock.

PERSONAL SAFETY

1. **Stay alert. Watch what you are doing, and use common sense when operating a power tool. Do not use a power tool while tired or under the influence of drugs, alcohol, or medication.** A moment of inattention while operating power tools may result in serious personal injury.
2. **Dress properly. Do not wear loose clothing or jewelry. Contain long hair. Keep your hair, clothing, and gloves away from moving parts.** Loose clothes, jewelry, or long hair can be caught in moving parts.
3. **Avoid accidental starting. Be sure the Power Switch is off before plugging in.** Carrying power tools with your finger on the Power Switch, or plugging in power tools with the Power Switch on, invites accidents.

4. **Remove adjusting keys or wrenches before turning the power tool on.** A wrench or a key that is left attached to a rotating part of the power tool may result in personal injury.
5. **Do not overreach. Keep proper footing and balance at all times.** Proper footing and balance enables better control of the power tool in unexpected situations.
6. **Use safety equipment. Always wear eye protection.** Dust mask, non-skid safety shoes, hard hat, or hearing protection must be used for appropriate conditions.

TOOL USE AND CARE

1. **Use clamps (not included) or other practical ways to secure and support the workpiece to a stable platform.** Holding the work by hand or against your body is unstable and may lead to loss of control.
2. **Do not force the tool. Use the correct tool for your application.** The correct tool will do the job better and safer at the rate for which it is designed.
3. **Do not use the power tool if the Power Switch does not turn it on or off.** Any tool that cannot be controlled with the Power Switch is dangerous and must be replaced.
4. **Disconnect the Power Cord Plug from the power source before making any adjustments, changing accessories, or storing the tool.** Such preventive safety measures reduce the risk of starting the tool accidentally.
5. **Store idle tools out of reach of children and other untrained persons.** Tools are dangerous in the hands of untrained users.
6. **Maintain tools with care. Keep cutting tools sharp and clean.** Properly maintained tools with a sharp cutting edge are less likely to bind and are easier to control. Do not use a damaged tool. Tag damaged tools "Do not use" until repaired.
7. **Check for misalignment or binding of moving parts, breakage of parts, and any other condition that may affect the tool's operation. If damaged, have the tool serviced before using.** Many accidents are caused by poorly maintained tools.
8. **Use only accessories that are recommended by the manufacturer for your model.** Accessories that may be suitable for one tool may become hazardous when used on another tool.


SERVICE

1. **Tool service must be performed only by qualified repair personnel.** Service or maintenance performed by unqualified personnel could result in a risk of injury.
2. **When servicing a tool, use only identical replacement parts. Follow instructions in the "Inspection, Maintenance, And Cleaning" section of this manual.**

Use of unauthorized parts or failure to follow maintenance instructions may create a risk of electric shock or injury.

SPECIFIC SAFETY RULES





1. **DANGER! Keep hands away from cutting area and blade. Keep your second hand on auxiliary handle, or motor housing.** If both hands are holding the saw, they cannot be cut by the blade.
2. **Keep your body positioned to either side of the saw blade, but not in line with the saw blade.** KICKBACK could cause the saw to jump backwards. (See “Causes and Operator Prevention of Kickback.”)
3. **Do not reach underneath the work.** The guard can not protect you from the blade below the work.
4. **Check lower guard for proper closing before each use. Do not operate saw if lower guard does not move freely and close instantly. Never clamp or tie the lower guard into the open position.** If saw is accidentally dropped, lower guard may be bent. Raise the lower guard with the Retracting Handle and make sure it moves freely and does not touch the blade or any other part, in all angles and depths of cut.
5. **Check the operation and condition of the lower guard spring.** If the guard and the spring are not operating properly, they must be serviced before use. Lower guard may operate sluggishly due to damaged parts, gummy deposits, or a buildup of debris.
6. **Lower guard should be retracted manually only for special cuts such as “Pocket Cuts” and “Compound Cuts.”** Raise lower guard by Retracting Handle. As soon as blade enters the material, lower guard must be released. For all other sawing, the lower guard should operate automatically.
7. **Always observe that the lower guard is covering the blade before placing saw down on bench or floor.** An unprotected, coasting blade will cause the saw to walk backwards, cutting whatever is in its path. Be aware of the time it takes for the blade to stop after switch is released.
8. **NEVER hold piece being cut in your hands or across your leg.** It is important to support the work properly to minimize body exposure, blade binding, or loss of control.
9. **Hold tool by insulated gripping surfaces when performing an operation where the cutting tool may contact hidden wiring or its own cord.** Contact with a “live” wire will also make exposed metal parts of the tool “live” and shock the operator.
10. **When ripping always use a rip fence or straight edge guide.** This improves the accuracy of cut and reduces the chance for blade binding.

11. **Always use blades with correct size and shape (diamond vs. round) arbor holes.** Blades that do not match the mounting hardware of the saw will run eccentrically, causing loss of control.
12. **Never use damaged or incorrect blade washers or bolts.** The blade washers and bolt were specially designed for your saw, for optimum performance and safety of operation.
13.  **Always wear safety impact eye goggles when using the Twin Cutter Saw.** Always wear heavy duty work gloves when changing Saw Blades. Using personal safety devices reduces the risk for injury. A leather apron and arm protection may be advisable to protect from sparks created when cutting metal.
14. **Maintain a safe working environment.** Keep the work area well lit. Make sure there is adequate surrounding workspace. Always keep work area free of obstructions, grease, oil, trash, and other debris. Do not use a power tool in areas near flammable chemicals, dusts, and vapors. Do not use in a damp or wet location.
15. **Avoid unintentional starting.** Make sure you are prepared to begin work before turning on the Twin Cutter Saw.
16. **Do not force the Twin Cutter Saw.** This tool will do the work better and safer at the speed and capacity for which it was designed. Do not force the Saw Blades into the workpiece being cut.
17. **Never leave the Twin Cutter Saw unattended when it is plugged into an electrical outlet.** Turn off the tool, and unplug it from its electrical outlet before leaving.
18. **Before using the Twin Cutter Saw, check to make sure the Saw Blades are properly mounted on the Arbor Adapter.** Make sure the Saw Blades are sharp, and are not cracked or bent.
19. **Industrial applications must follow OSHA guidelines.**
20. **When cutting a large workpiece, make sure its entire length is properly supported.** If necessary, use a roller stand (not included).
21. **To avoid electrical shock, do not handle the Twin Cutter Saw or its Power Cord Plug with wet hands.**
22. **Make sure the workpiece is free from nails and any other foreign objects which can damage the Saw Blades.**
23. **Always check to make sure there are no electrical wires or cables in the cutting path of the Twin Cutter Saw.**
24. **Allow the Blades to run up to full speed before feeding them into a workpiece.** When turning off the Twin Cutter Saw, allow the Saw Blades to stop on their own.

25. **Turn off the Twin Cutter Saw and allow the Saw Blades to completely stop if the Saw Blades are to be backed out of an uncompleted cut.**
26. **Never attempt to remove material stuck in the moving parts of the Twin Cutter Saw while it is plugged in and running.**
27. **Always unplug the Twin Cutter Saw from its electrical outlet before performing any inspection, maintenance, or cleaning procedures.**

KICKBACK PRECAUTIONS

28. **Causes and operator prevention of “KICKBACK”:** Kickback is a sudden reaction to pinched, bound, or misaligned Saw Blades, causing an uncontrolled Twin Cutter Saw to lift up and out from the workpiece toward the operator. When the Saw Blades are pinched or bound tightly by the kerf closing down, the Saw Blades stall and the motor reaction drives the Twin Cutter Saw rapidly back toward the operator. If the Saw Blades become twisted or misaligned in the cut, the teeth at the front edge of the Saw Blades can raise the Twin Cutter Saw (walk up) toward the operator. Kickback is a result of tool misuse and/or incorrect operating procedures or conditions and can be avoided by taking proper precautions as follows:
 - **Maintain a firm grip with both hands on the saw and position your body and arm to allow you to resist KICKBACK forces.** KICKBACK forces can be controlled by the operator, if proper precautions are taken.
 - **When blade is binding, or when interrupting a cut for any reason, release the trigger and hold the saw motionless in the material until the blade comes to a complete stop.** Never attempt to remove the saw from the work or pull the saw backward while the blade is in motion or KICKBACK may occur. Investigate and take corrective actions to eliminate the cause of blade binding.
 - **When restarting the Twin Cutter Saw on a workpiece, center the Saw Blades in the pre-cut kerf and check that the Saw Teeth are not engaged into the workpiece.** If the Saw Blades are binding, the Twin Cutter Saw may walk up or kickback as the Saw is restarted.
 - **When restarting a saw in the workpiece, center the saw blade in the kerf and check that saw teeth are not engaged into the material.** If saw blade is binding, it may walk up or KICKBACK from the workpiece as the saw is restarted.
 - **Support large panels to minimize the risk of blade pinching and KICKBACK.** Large panels tend to sag under their own weight. Supports must be placed under the panel on both sides, near the line of cut and near the edge of the panel.
 - **Do not use dull or damaged blades.** Unsharpened or improperly set blades produce narrow kerf causing excessive friction, blade binding and KICKBACK.
 - **Blade depth and bevel adjusting locking levers must be tight and secure before making cut.** If blade adjustment shifts while cutting, it may cause binding and KICKBACK.

- **Use extra caution when making a “Pocket Cut” into existing walls or other blind areas.** The protruding blade may cut objects that can cause KICKBACK.
 - **Push the Saw Blades past the workpiece prior to releasing the Power Switch.**
 - **Make sure to check the Blade Guard for proper operation.** Never disable the Guard. Do not use the Twin Cutter Saw if the Guard assembly does not operate properly. Before each use, make sure the Blade Guard does not touch the Saw Blades.
 - **Make sure the workpiece is free from nails, metal rebar, and any other foreign objects that could damage the Saw Blades or cause “kickback”.**
29.  **CAUTION!** When cutting metal, the Twin Cutter Saw produces extremely hot chips (rather than sparks). Use caution to avoid accidental fire and/or injury to the operator.
30.  **WARNING!** Some dust created by power sanding, sawing, grinding, drilling, and other construction activities, contain chemicals known (to the State of California) to cause cancer, birth defects or other reproductive harm. Some examples of these chemicals are: lead from lead-based paints, crystalline silica from bricks and cement or other masonry products, arsenic and chromium from chemically treated lumber. Your risk from these exposures varies, depending on how often you do this type of work. To reduce your exposure to these chemicals: work in a well ventilated area, and work with approved safety equipment, such as those dust masks that are specially designed to filter out microscopic particles.
(California Health & Safety Code § 25249.5, *et seq.*)
31.  **WARNING!** People with pacemakers should consult their physician(s) before using this product. Electromagnetic fields in close proximity to a heart pacemaker could cause interference to or failure of the pacemaker.
32.  **WARNING!** The warnings and cautions discussed in this manual cannot cover all possible conditions and situations that may occur. It must be understood by the operator that common sense and caution are factors which cannot be built into this product, but must be supplied by the operator.

SAVE THESE INSTRUCTIONS

GROUNDING

 **WARNING!**

Improperly connecting the grounding wire can result in the risk of electric shock. Check with a qualified electrician if you are in doubt as to whether the outlet is properly grounded. Do not modify the power cord plug provided with the tool. Never remove the grounding prong from the plug. Do not use the tool if the power cord or plug is damaged. If damaged, have it repaired by a service facility before use. If the plug will not fit the outlet, have a proper outlet installed by a qualified electrician.

GROUNDING TOOLS: TOOLS WITH THREE PRONG PLUGS

1. Tools marked “Grounding Required” have a three wire cord and three prong grounding plug. The plug must be connected to a properly grounded outlet. If tool should electrically malfunction, grounding provides a low resistance path to carry electricity away from the user, reducing risk of electric shock. **(See Figure A.)**
2. The grounding prong in the plug is connected through the green wire inside the cord to the grounding system in the tool. The green wire in the cord must be the only wire connected to the tool’s grounding system and must never be attached to an electrically “live” terminal. **(See Figure A.)**
3. Your tool must be plugged into an appropriate outlet, properly installed and grounded in accordance with all codes and ordinances. The plug and outlet should look like those in the following illustration. **(See Figure A.)**

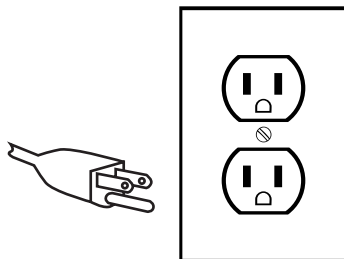


FIGURE A

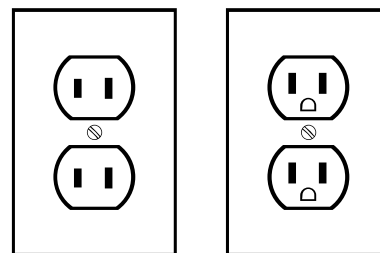


FIGURE B

DOUBLE INSULATED TOOLS: TOOLS WITH TWO PRONG PLUGS

1. Tools marked “Double Insulated” do not require grounding. They have a special double insulation system which satisfies OSHA requirements and complies with the applicable standards of Underwriters Laboratories, Inc., the Canadian Standard Association, and the National Electrical Code. **(See Figure B.)**
2. Double insulated tools may be used in either of the 120 volt outlets shown in the preceding illustration. **(See Figure B.)**




EXTENSION CORDS

1. **Grounded** tools require a three wire extension cord. **Double Insulated** tools can use either a two or three wire extension cord.
2. As the distance from the supply outlet increases, you must use a heavier gauge extension cord. Using extension cords with inadequately sized wire causes a serious drop in voltage, resulting in loss of power and possible tool damage. **(See Figure C, next page.)**
3. The smaller the gauge number of the wire, the greater the capacity of the cord. For example, a 14 gauge cord can carry a higher current than a 16 gauge cord. **(See Figure C.)**
4. When using more than one extension cord to make up the total length, make sure each cord contains at least the minimum wire size required. **(See Figure C.)**
5. If you are using one extension cord for more than one tool, add the nameplate amperes and use the sum to determine the required minimum cord size. **(See Figure C.)**
6. If you are using an extension cord outdoors, make sure it is marked with the suffix "W-A" ("W" in Canada) to indicate it is acceptable for outdoor use.
7. Make sure your extension cord is properly wired and in good electrical condition. Always replace a damaged extension cord or have it repaired by a qualified electrician before using it.
8. Protect extension cords from sharp objects, excessive heat, and damp or wet areas.

RECOMMENDED MINIMUM WIRE GAUGE FOR EXTENSION CORDS* (120 OR 240 VOLT)					
NAMEPLATE AMPERES (at full load)	EXTENSION CORD LENGTH				
	25 Feet	50 Feet	75 Feet	100 Feet	150 Feet
0 – 2.0	18	18	18	18	16
2.1 – 3.4	18	18	18	16	14
3.5 – 5.0	18	18	16	14	12
5.1 – 7.0	18	16	14	12	12
7.1 – 12.0	18	14	12	10	-
12.1 – 16.0	14	12	10	-	-
16.1 – 20.0	12	10	-	-	-

FIGURE C * Based on limiting the line voltage drop to five volts at 150% of the rated amperes.

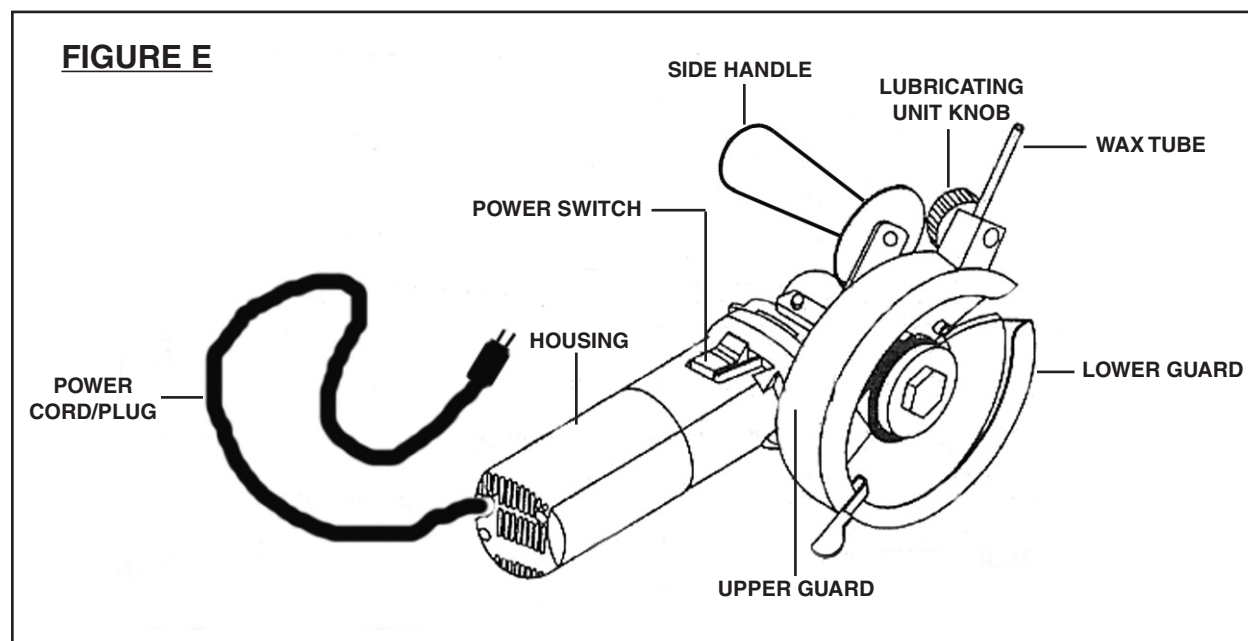
SYMBOLGY

	Double Insulated
	Canadian Standards Association
	Underwriters Laboratories, Inc.
V~	Volts Alternating Current
A	Amperes
n ₀ xxxx/min.	No Load Revolutions per Minute (RPM)

UNPACKING

When unpacking, check to make sure all the parts shown on the **Parts List on page 16** are included. If any parts are missing or broken, please call Harbor Freight Tools at the number shown on the cover of this manual as soon as possible.

PRODUCT FEATURES



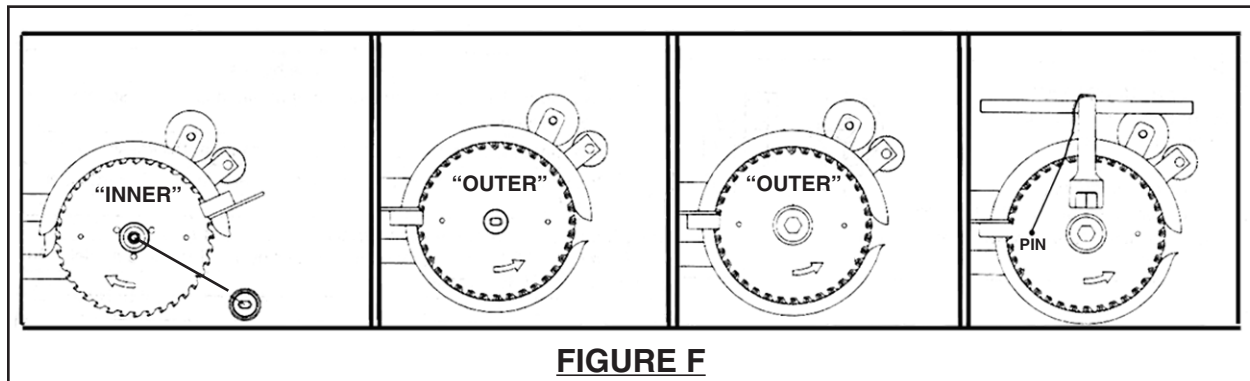
1. **Power Switch:** The Power Switch is a simple “slider” switch that when pressed and held turns on the Twin Cutter Saw. To turn off the Saw, release pressure on the Power Switch and the switch will automatically return up to its “OFF” position.
2. **Power Cord/Plug:** The Power Cord/Plug must only be connected to a 120 volt, grounded, electrical outlet. Do not pull on the Cord to remove the Plug from its electrical outlet.
3. **Side Handle and Housing:** The Side Handle allows for increased control of the Twin Cutter Saw and additional safety. When using the Saw, always maintain a firm grip on the Side Handle *and* Housing.
4. **Lower Guard and Upper Guard:** Before each use of the Twin Cutter Saw, always check to make sure the Lower Guard and Upper Guard are operating properly. Also, make sure the Saw Blades do not touch either Guard.
5. **Wax Tube and Lubricating Unit Knob:** Always use a lubricating Wax Tube when cutting aluminum, copper, stainless steel, and cast iron. When cutting, these materials tend to soften and adhere to the Saw Blades and can diminish the performance of the Twin Cutter Saw. To use a Wax Tube, insert the Wax Tube into the Lubricating Unit Dispenser. Turn the Lubricating Unit Knob to apply lubricant to the Saw

Blades. A 1/4 turn of the Lubricating Unit Knob will provide adequate lubrication for several cuts.

6. **Saw Blades:** The Saw Blades should always be kept clean, sharp, and properly installed in the Twin Cutter Saw. Using dull Saw Blades will place an excessive load on the Saw and increases the danger of kickback. It is recommended to keep extra Saw Blades on hand so sharp Saw Blades are always available.

To install the Saw Blades:

- a. Unplug the Twin Cutter Saw from its electrical outlet.
- b. To avoid accidental cuts, make sure to wear heavy duty work gloves while installing the Saw Blades.



- c. Lay the Twin Cutter Saw down with its Blade Lock Nut pointing upward. **(See Figure F, above.)**
- d. Open the Lower Guard.
- e. Place the Saw Blade marked **"INNER"** onto the Flange of the Gear Box with the word **"INNER"** clearly visible. Then, align the holes in the Saw Blade with the Pins on the Flange and securely fit the Saw Blade on the Flange.
- f. Place the Saw Blade marked **"OUTER"** onto the Arbor Adapter with the word **"OUTER"** clearly visible. Then, thread (do not tighten) the Blade Lock Nut onto the Flange of the Gear Box.
- g. Turn the Saw Blades so that the holes in both Blades are aligned.
- h. Insert the Pin that is attached to the Wrench into the aligned holes in the Saw Blades.
- i. Using the Wrench, tighten the Blade Lock Nut clockwise. **Do not tighten excessively.** Then, remove the Pin from the Saw Blades. This will allow the Saw Blades to turn freely.
- j. Turn the Saw Blades with your gloved hand to ensure the Saw Blades easily turn in opposite directions.

OPERATING INSTRUCTIONS

Note: Refer to Figure E on page 11 during the procedures shown below.



⚠ CAUTION! Always use safety equipment. Wear ANSI approved safety impact eye goggles and heavy duty work gloves when operating the Twin Cutter Saw. Also, a dust mask and hearing protection must be used for appropriate conditions.

⚠ CAUTION! Always check the Lower Guard for proper closing before each use. Do not operate the Twin Cutter Saw if the Lower Guard does not move freely and close instantly.

⚠ CAUTION! Always secure the workpiece in place, using a vise or clamps (not included).

1. Make sure the Power Switch is in its “**OFF**” position and the Power Cord/ Plug is unplugged from the electrical outlet.
2. Insert a Wax Tube into the Lubricating Unit Dispenser. Turn the Lubricating Unit Knob to apply lubricant to the Saw Blades. A 1/4 turn of the Lubricating Unit Knob will provide adequate lubrication for several cuts. If necessary to reapply more Wax, first turn off the Twin Cutter Saw. Wait until the Saw Blades come to a complete stop. Unplug the tool from its electrical outlet. Then, readjust the Wax Tube to continue providing lubricant to the Saw Blades.
3. Plug the Power Cord/Plug into the nearest 120 volt, grounded, electrical outlet.
4. Position the Saw Blades of the Twin Cutter Saw about 1/2” from the beginning cut line on the workpiece. Do not allow the Saw Blades to come in contact with the workpiece. **NOTE:** The kerf (width of cut) of the two Saw Blades is approximately 1/8”. Always make sure to allow for this.
5. Grip the Twin Cutter Saw firmly with both hands. Then press the Power Switch to turn on the tool.
6. Allow the Saw Blades to spin at full speed before slowly feeding them into the workpiece.
7. When finished making the cut, release the Power Switch to stop the Twin Cutter Saw. Wait until the Saw Blades stop completely. Remove the tool from the workpiece, and unplug the Twin Cutter Saw from its electrical outlet.
8. Always make sure to store the Twin Cutter Saw in a clean, dry, safe location out of reach of children and other unauthorized people.

INSPECTION, MAINTENANCE, AND CLEANING

1.  **WARNING!** Make sure the Power Switch of the Twin Cutter Saw is in its “OFF” position and the tool is unplugged from its electrical outlet before performing any inspection, maintenance, or cleaning procedures.
2. **Before each use:** Inspect the general condition of the Twin Cutter Saw. Check for loose screws, misalignment or binding of moving parts, cracked or bent Saw Blades, damaged electrical wiring, and any other condition that may affect its safe operation. If abnormal noise or vibration occurs, have the problem corrected before further use. **Do not use damaged equipment.**
3. **Before each use:** Inspect the Saw Blades. Using dull Saw Blades will cause excessive wear on the Motor of the Twin Cutter Saw and will not produce a satisfactory cut. Replace with a new Saw Blade when needed. **Replace both saw blades as a set. (See Figure F.)**
4. **To replace or clean the Motor Carbon Brushes:** It may become necessary at sometime to replace or clean the two Carbon Brushes when the Motor performance decreases, or stops working completely. The Carbon Brushes are located at the rear of the Housing. **(See Assy. Diagram.)**
To replace or clean the Carbon Brushes:
 - a. Unscrew and remove the two Tapping Screws located on the Back Cover of the Housing.
 - b. Slowly pull the Back Cover out to expose the Carbon Brushes.
 - c. Remove the two Carbon Brushes from the two Brush Holders.
 - d. If either of the Carbon Brushes are worn down more than 1/2, replace *both* Carbon Brushes. If, however, the Carbon Brushes are just dirty they may be cleaned by rubbing them with a pencil eraser.
 - e. When installing the Carbon Brushes, make sure the carbon portion of the Carbon Brushes contact the Motor’s Stator and that the springs face away from the Stator. Also, make sure the springs operate freely.
 - f. After replacement or cleaning, push the Back Cover back against the Housing. Then, replace the two Tapping Screws.
 - g. **NOTE:** New Carbon Brushes tend to arc or spark when first used until they wear and conform to the Motor’s Stator.
5. **To clean the exterior parts of the Twin Cutter Saw,** use only a clean cloth and mild detergent to clean the outer body of the Saw. **Do not immerse any electrical part of the tool in any liquids.**
6.  **WARNING!** All maintenance, service, or repairs not mentioned in this manual must only be performed by a qualified service technician.

PARTS LIST - MODEL 94896

IMPORTANT

When ordering parts, reference which model you are ordering parts for. Parts are not interchangeable.

Part	Description	Qty.
1	5" Saw Blades	1 Set
2	Guard Plate	1
3	Swing Guard	1
4	Guard Washer	1
5	Screw M4 x 14	1
6	Rubber Pin	1
7	Screw SA M4 x 12	1
8	Guard	1
10	Tap Screw ST 4.2 x 35	4
11	Gear Box	1
12	Side Handle	1
13	Cover	1
14	Pinion	1
15	Bearing 6000-2RS	1
16	Armature	1
17	Bearing 606zz	1
18	Logo Label	1
19	Cord Protector	1
20	Tap Screw ST 4.2 x 12	1
21	Cord Retainer	2
22	Lead IV	2
23	Spring	1
24	Switch Lever	1
25	Tap Screw ST 4.2 x 20	2
26	Power Switch	1

Part	Description	Qty.
27	Cover	1
28	Spring	1
30	Back Cover 1	1
31	Tap Screw ST 4.2 x 16	2
32	Warning Label	1
33	Switch	1
35	Housing	1
36	Stator	1
37	Tap Screw ST 4.2 x 14	2
38	Power Cord	1
39	Brush	2
40	Brush Holder	2
42	Lock Nut	1
43	Wrench and pin	1
44	Wax Tubes	6
45	Lubricating Unit	1
46	Tap Screw ST 4.8 x 10	1
47	Rotation label	1
48	Inductor Coil	2
49	Connector	1
50	Brush Cap	2
51	Bearing Insert	1
52	Guard Assembly*	1
53	Overload Protector	1
*Includes parts 2, 3, 4, & 8		

Record Product's Serial Number Here: _____

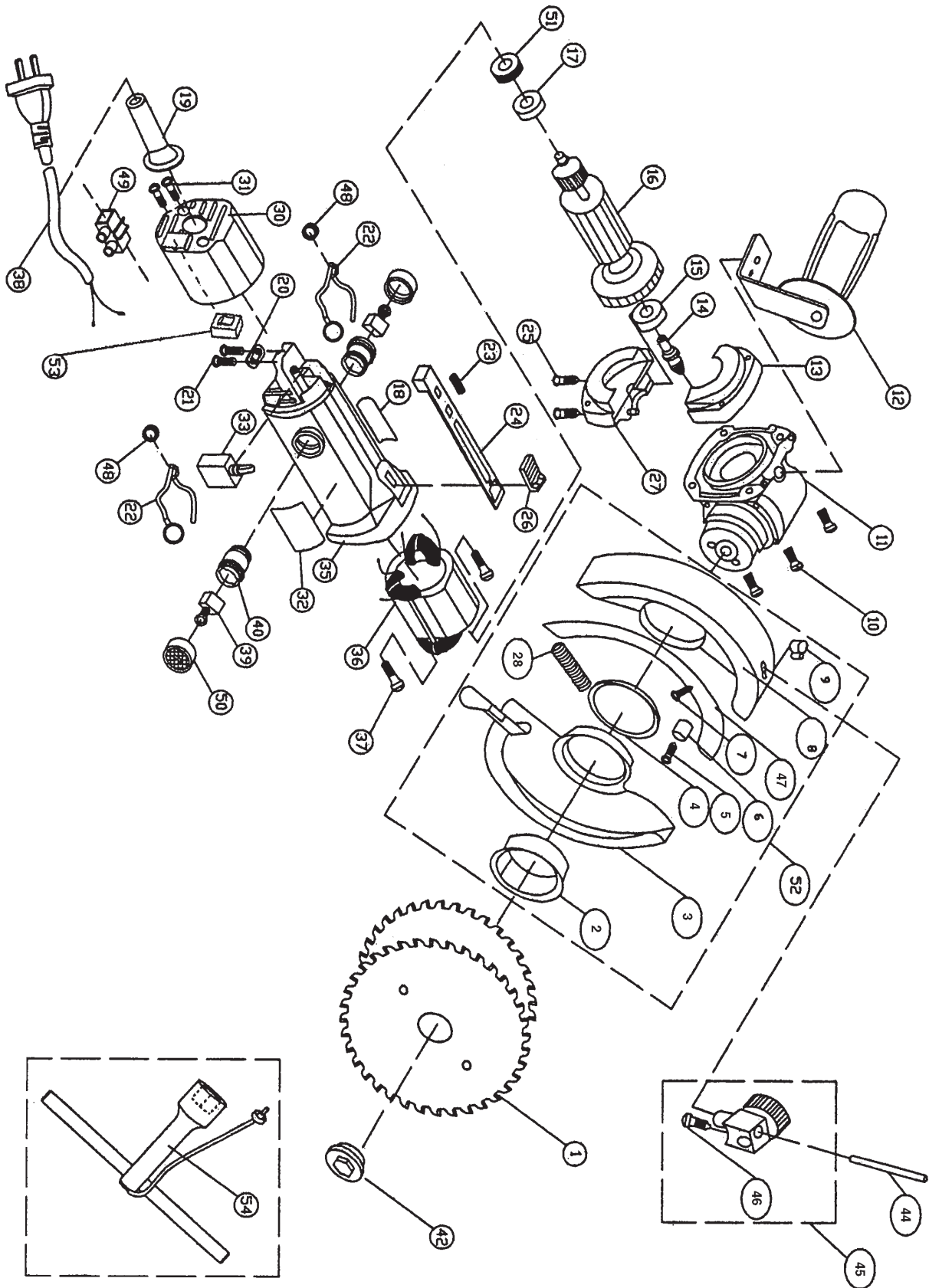
Note: If product has no serial number, record month and year of purchase instead.

Note: Some parts are listed and shown for illustration purposes only, and are not available individually as replacement parts.

PLEASE READ THE FOLLOWING CAREFULLY

THE MANUFACTURER AND/OR DISTRIBUTOR HAS PROVIDED THE PARTS LIST AND ASSEMBLY DIAGRAM IN THIS MANUAL AS A REFERENCE TOOL ONLY. NEITHER THE MANUFACTURER OR DISTRIBUTOR MAKES ANY REPRESENTATION OR WARRANTY OF ANY KIND TO THE BUYER THAT HE OR SHE IS QUALIFIED TO MAKE ANY REPAIRS TO THE PRODUCT, OR THAT HE OR SHE IS QUALIFIED TO REPLACE ANY PARTS OF THE PRODUCT. IN FACT, THE MANUFACTURER AND/OR DISTRIBUTOR EXPRESSLY STATES THAT ALL REPAIRS AND PARTS REPLACEMENTS SHOULD BE UNDERTAKEN BY CERTIFIED AND LICENSED TECHNICIANS, AND NOT BY THE BUYER. THE BUYER ASSUMES ALL RISK AND LIABILITY ARISING OUT OF HIS OR HER REPAIRS TO THE ORIGINAL PRODUCT OR REPLACEMENT PARTS THERETO, OR ARISING OUT OF HIS OR HER INSTALLATION OF REPLACEMENT PARTS THERETO.

ASSEMBLY DIAGRAM - MODEL 94896



SKUs 94596 &
94896

For technical questions, please call 1-800-444-3353.

Page 17

PARTS LIST A - MODEL 94596

IMPORTANT

When ordering parts, reference which model you are ordering parts for. Parts are not interchangeable.

Part	Description	Qty.
1a	6 ¹ / ₈ " Saw Blades	1 Set
2a	Guard Plate	1
3a	Lower Guard	1
4a	Guard Washer	1
5a	Screw (M4 x 14)	1
6a	Rubber Pin	1
7a	Screw (SA M4 x 12)	1
8a	Upper Guard	1
10a	Tapping Screw (ST 4.2 x 35)	4
11a	Gear Box	1
12a	Side Handle	1
13a	Cover	1
14a	Pinion	1
15a	Bearing (6000 zz)	1
16a	Armature	1
18a	Rubber Ring	1
19a	Bearing (607 zz)	1
21a	Cord Protector	1
22a	Cord Platen	1
23a	Tapping Screw (ST 4.2 x 12)	1
24a	Lead (IV)	2
25a	Spring	1
26a	Spring Washer	1
27a	Switch Lever	1
28a	Tapping Screw (ST 4.2 x 20)	1
29a	Power Switch	1

Part	Description	Qty.
30a	Cover	1
31a	Spring	1
33a	Label	1
34a	Back Cover	1
35a	Tapping Screw (ST 4.2 x 16)	2
37a	Surge Protector	1
38a	Switch	1
39a	Capacitor	1
40a	Housing	1
41a	Stator	1
42a	Tapping Screw (ST 4.2 x 65)	2
43a	Power Cord/Plug	1
47a	Lead (VI)	1
48a	Tapping Screw (ST 2.2 x 8.5)	4
49a	Washer	4
50a	Brush	2
51a	Brush Holder	2
53a	Blade Lock Nut	1
54a	Wrench and Pin	1
55a	Wax Tube	6
56a	Lubrication Unit	1
57a	Tapping Screw (ST 4.8 x 10)	1
58a	Rotation Label	1
59a	Guard Assembly	1
63a	14mm & 22mm Arbor Wrench	1

Record Product's Serial Number Here: _____

Note: If product has no serial number, record month and year of purchase instead.

Note: Some parts are listed and shown for illustration purposes only, and are not available individually as replacement parts.

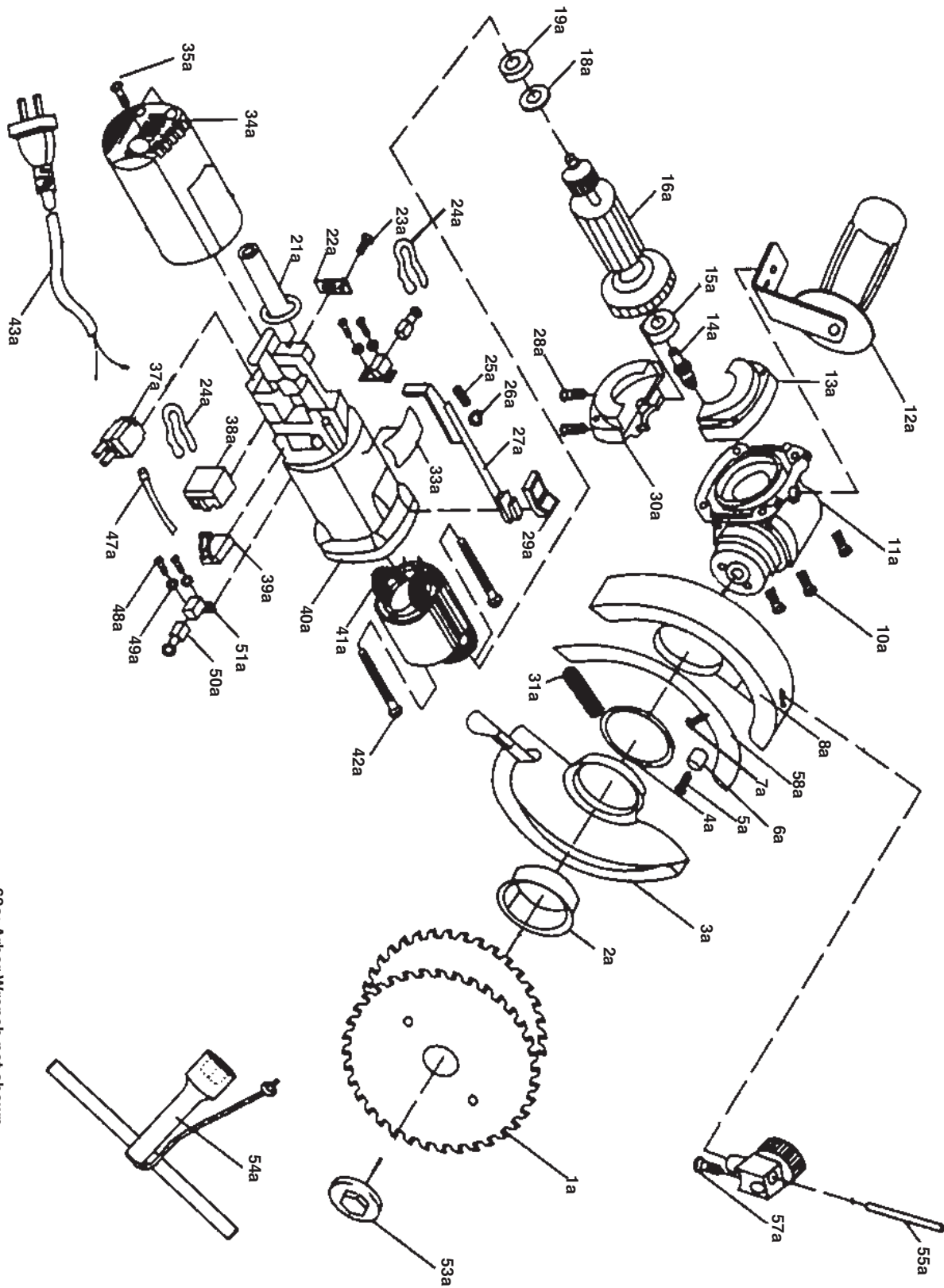
SKUs 94596 &
94896

For technical questions, please call 1-800-444-3353.

REV 09/06

Page 18

ASSEMBLY DIAGRAM A - MODEL 94596



63a: Arbor Wrench not shown.

SKUs 94596 & 94896

For technical questions, please call 1-800-444-3353.

REV 09/06
Page 19



CHICAGO
Electric Power Tools

**LIMITED 90 DAY
WARRANTY**

Harbor Freight Tools Co. makes every effort to assure that its products meet high quality and durability standards, and warrants to the original purchaser that this product is free from defects in materials and workmanship for the period of ninety days from the date of purchase. This warranty does not apply to damage due directly or indirectly, to misuse, abuse, negligence or accidents, repairs or alterations outside our facilities, or to lack of maintenance. We shall in no event be liable for death, injuries to persons or property, or for incidental, contingent, special or consequential damages arising from the use of our product. Some states do not allow the exclusion or limitation of incidental or consequential damages, so the above limitation of exclusion may not apply to you. THIS WARRANTY IS EXPRESSLY IN LIEU OF ALL OTHER WARRANTIES, EXPRESS OR IMPLIED, INCLUDING THE WARRANTIES OF MERCHANTABILITY AND FITNESS.

To take advantage of this warranty, the product or part must be returned to us with transportation charges prepaid. Proof of purchase date and an explanation of the complaint must accompany the merchandise. If our inspection verifies the defect, we will either repair or replace the product at our election or we may elect to refund the purchase price if we cannot readily and quickly provide you with a replacement. We will return repaired products at our expense, but if we determine there is no defect, or that the defect resulted from causes not within the scope of our warranty, then you must bear the cost of returning the product.

This warranty gives you specific legal rights and you may also have other rights which vary from state to state.

3491 Mission Oaks Blvd. • PO Box 6009 • Camarillo, CA 93011 • (800) 444-3353

CHICAGO

Electric® Power Tools

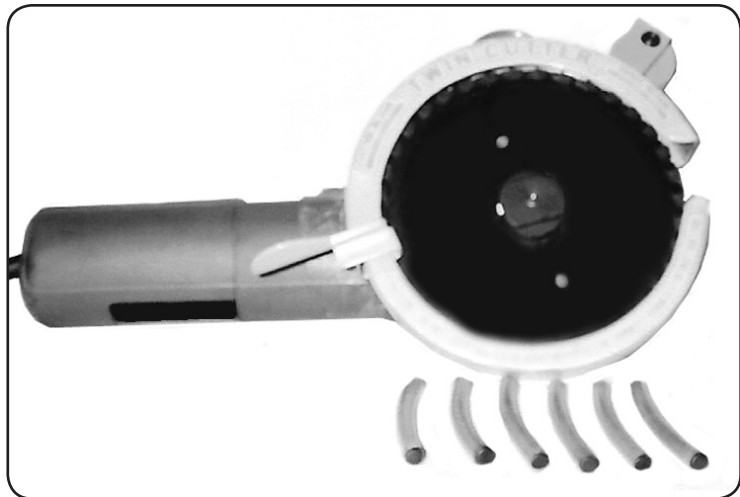
SCIE

Modèles 94596 /
94896

INSTRUCTIONS D'INSTALLATION ET FONCTIONNEMENT

IMPORTANT!

Cette édition de langue française est une traduction du manuel anglais original accompagnant ce produit. Si une partie du manuel anglais original est inconsistante avec cette traduction, le manuel anglais original gouvernera.



En raison des améliorations continuantes, le produit réel peut différer légèrement du produit décrit ici.



3491 Mission Oaks Blvd., Camarillo, CA 93011
Visitez notre site Internet à <http://www.harborfreight.com>

**POUR ÉVITER LA BLESSURE SÉRIEUSE, LISEZ
ET COMPRENEZ TOUS LES AVERTISSEMENTS
ET LES INSTRUCTIONS AVANT L'UTILISATION.**

Le Copyright© 2007 par le Harbor Freight Tools®. Tous droits réservés. Aucune portion de ce manuel ou de n'importe quel travail d'art contenu ici ne peut être reproduite dans aucune forme ou forme sans le consentement écrit explicite de Harbor Freight Tools.

**Pour les questions techniques et les pièces détachées,
appelez-vous s'il vous plaît 1-800-444-3353.**



CARACTÉRISTIQUES

	MODELE 94896 – 5 po Scie	MODELE 94596 – 6 1/8 po Scie
Moteur	120 V~/60 Hz /5.6 A /n _o 5,500/min	120 V~/60 Hz /7.8 A/ n _o 4,600/min
Interrupteur	Bouton à glisser avec Coupé Automatique	
Cordon d’Alimentation	18 AWG x 2C SJT / 2- Fiche à deux broche polarisé	
Lames (Qty. 2, incluses)	4 7/8 po en Diamètre /32 Dents 0.05 po Épaisseur Individu RPM de 5,500 Caractéristiques Assignées Minimum Extrémité de Carbone/Enduit de Téflon	6 1/8 po en Diamètre / 36 Dents 0.064 po Épaisseur Individu RPM de 4600 Caractéristiques Assignées Minimum
Profondeur de Coupe Maximum (Bois)	1 1/8 po	1 1/2 po
Profondeur de Coupe Maximum (Tubage et Tôle d’Aéragé)	1/8 po Acier Doux 1/8 Plastique 1/8 Cuivre, Acier Inoxydable, Aluminium, Fonte	1/8 po Acier Doux 3/16 po Plastique 1/8 po Cuivre, Acier Inoxydable, Aluminium, Fonte
Dimension Totale	13 po en longueur x 6 po largeur d’un pouce x 7 3/8 po en hauteur	13 po en longueur x 6 1/2 po en largeur x 8 1/2 en hauteur
Poids	7 lb	11.2 lb

GARDEZ CE GUIDE

Gardez ce guide pour les conseils de sécurités et précautions, installation, instructions d’utilisation, inspection, entretien, la liste des pièces et le schéma du produit. Gardez votre facture avec ce guide. Inscrivez le numéro de facture à l’intérieur de la couverture. Gardez ce guide et facture dans un endroit sécuritaire et sec pour pouvoir le consulter à l’avenir.

RÈGLES DE SÉCURITÉ GÉNÉRALES

AVERTISSEMENT!

LISEZ ET ASSUREZ-VOUS DE BIEN COMPRENDRE TOUTES LES INSTRUCTIONS.

Le non -respect des instructions ci -après peut entraîner un risque de choc électrique d’incendie et/ou de blessures graves.

GARDEZ CES INSTRUCTIONS

ESPACE DE TRAVAIL

1. **Assurez-vous que l’espace de travail est propre et bien éclairé.** Un établi encombré ou un endroit sombre est propice aux accidents.
2. **N’utilisez pas un outil électrique dans un environnement aux propriétés explosives, comme en présence de poussière, de liquides ou de gaz inflammables.** Les outils électriques produisent des étincelles qui peuvent enflammer les poussières ou les vapeurs.

SKUs 94596 & 94896 **Pour obtenir de l’assistance composez le 1-800-444-3353.** Page 2

3. **Gardez les spectateurs, les enfants et les visiteurs à l'écart pendant que vous utilisez l'outil.** Une distraction pourrait vous faire perdre la maîtrise de l'outil. Vous devez les protéger contre les blessures corporelles. Si nécessaire, construisez des barrières.

SÉCURITÉ ÉLECTRIQUE

1. **Les outils mis à la terre doivent être branchés dans une prise de courant correctement installée et mise à la terre conformément à tous les codes et règlements pertinents. Ne modifiez jamais la fiche de quelque façon que ce soit, par exemple en enlevant la broche de mise à la terre. N'utilisez pas d'adaptateur de fiche. Si vous n'êtes pas certain que la prise de courant est correctement mise à la terre, adressez-vous à un électricien qualifié.** En cas de défaillance ou de défectuosité électrique de l'outil une mise à la terre offre un trajet de faible résistance à l'électricité qui autrement risquerait de traverser l'utilisateur.
2. **Les outils à double isolation sont équipés d'une fiche polarisée (une des broches est plus large que l'autre), qui ne peut se brancher que d'une seule façon dans une prise polarisée. Si la fiche n'entre pas parfaitement dans la prise, inversez sa position; si elle n'entre toujours pas bien, demandez à un électricien qualifié d'installer une prise de courant polarisée. Ne modifiez pas la fiche de l'outil.** La double isolation élimine le besoin d'un cordon d'alimentation à trois fils avec mise à la terre ainsi que d'une prise de courant mise à la terre.
3. **Évitez tout contact du corps avec les surfaces reliées à la terre telles que tuyaux, radiateurs, cuisinières et réfrigérateurs.** Le risque de choc électrique est accru lorsque le corps est mis à la terre.
4. **N'exposez pas les outils électriques à la pluie ni à des conditions mouillées.** Toute infiltration d'eau dans l'outil augmente les risques de choc électrique.
5. **Évitez l'emploi abusif du cordon. N'utilisez jamais le cordon pour transporter l'outil ou pour le débrancher de la prise de courant en tirant dessus. Tenez le cordon à l'écart de la chaleur, de l'huile, des arêtes vives et des pièces mobiles. Remplacez sans tarder un cordon endommagé.** Les risques de choc électrique augmentent lorsqu'un cordon est endommagé.
6. **Lorsque vous utilisez un outil électrique à l'extérieur, vous devez vous servir d'une rallonge électrique portant le symbole « W-A » ou « W ».** Ces cordons ont une tolérance appropriée à un usage extérieur et réduisent les risques de choc électrique.

SECURITE PERSONNELLE

1. **Soyez vigilant, surveillez ce que vous faites et faites preuve de bon jugement lorsque vous utilisez un outil électrique. Ne vous servez pas de l'outil lorsque vous êtes fatigué ou sous l'influence de la drogue, de l'alcool ou de médi-**

caments. Lorsque vous utilisez un outil électrique un moment d'inattention peut entraîner des blessures graves.

2. **Portez des vêtements appropriés. Ne portez pas de vêtements amples ni des bijoux. Attachez-vous les cheveux s'ils sont longs. Gardez vos cheveux, vos vêtements et vos gants éloignés des pièces mobiles.** Des vêtements amples, des bijoux, ou des cheveux longs non retenus peuvent rester coincés dans les pièces mobiles.
3. **Évitez les démarrages accidentels. Assurez-vous que l'interrupteur se trouve à la position d'arrêt (OFF) avant de brancher l'outil.** Le fait de transporter l'outil en gardant le doigt sur l'interrupteur ou de le brancher alors que l'interrupteur est en position de marche (ON) peut provoquer un accident.
4. **Retirez les clés de réglage ou les autres clés avant de mettre l'outil en marche.** Le fait de laisser une clé quelconque en prise sur une pièce rotative de l'outil peut causer des blessures.
5. **Évitez tout état de déséquilibre. Tenez-vous de façon stable et maintenez votre équilibre en tout temps pour vous permettre de garder la maîtrise de l'outil en cas d'imprévu.**
6. **Utilisez l'équipement de sécurité. Portez toujours une protection oculaire.** Portez aussi un masque anti poussière, des chaussures de sécurité antidérapantes, un casque de sécurité, ou un protecteur auditif, selon les conditions.

UTILISATION ET ENTRETIEN DE L'OUTIL

1. **Utilisez des serre-joints (pas fournis) ou un autre moyen pratique de retenir et de soutenir la pièce à scier sur une plate-forme stable.** Le fait de tenir la pièce à travailler avec une main ou contre votre corps constitue une situation instable qui pourrait vous faire perdre la maîtrise de l'outil.
2. **Ne forcez pas l'outil. Utilisez l'outil qui convient au travail à effectuer.** L'outil approprié fonctionne mieux et de façon plus sécuritaire au régime pour lequel il a été conçu. Ne forcez pas l'outil. Il fera un meilleur travail, de manière plus sécuritaire, au rythme pour lequel il est conçu.
3. **N'utilisez pas l'outil si son interrupteur ne fonctionne pas normalement.** Un outil qui ne peut être contrôlé au moyen de son interrupteur est dangereux et doit être réparé.
4. **Débranchez la fiche de sa source d'alimentation avant de faire des réglages, de changer des accessoires ou de ranger l'outil.** De telles mesures préventives réduisent les risques de démarrage accidentel de l'outil.
5. **Rangez les outils non utilisés hors de la portée des enfants et des personnes inexpérimentées.** Les outils sont dangereux dans les mains d'un utilisateur inexpérimenté.

SKUs 94596 & 94896 **Pour obtenir de l'assistance composez le 1-800-444-3353.** Page 4

6. **Entretenez soigneusement les outils. Gardez les accessoires de coupe affûtes et propres.** Des outils bien entretenus, dont les arêtes sont bien tranchantes, sont moins susceptibles de se coincer et se maîtrisent plus facilement. N'utilisez pas l'outil endommagé. Faites étiqueter l'outil endommagé « N' UTILISEZ PAS » jusqu'à ce que vous le répare.
7. **Vérifiez si des pièces mobiles sont désalignées ou coincées, si des pièces sont endommagées ou toute autre situation pouvant nuire au bon fonctionnement de l'outil. Si l'outil est endommagé, faites-le réparer avant de vous en servir.** De nombreux accidents sont causés par des outils mal entretenus.
8. **Utilisez uniquement les accessoires recommandés par le fabricant.** Des accessoires convenant à un outil en particulier peuvent être dangereux s'ils sont utilisés avec un autre outil.

ENTRETIEN

1. **L'entretien de cet outil doit être effectué uniquement par une personne qualifiée.** Tout entretien réalisé par une personne non qualifiée peut entraîner des risques de blessures.
2. **Lors de l'entretien de l'outil, utilisez uniquement des pièces de rechange identiques à celles d'origine. Suivez les directives fournies dans la section « Inspection, Entretien et Nettoyage » de ce guide.** L'utilisation de pièces non autorisées ou le non-respect des consignes d'entretien peut entraîner des risques de choc électrique ou de blessures.

REGLES DE SECURITE SPECIFIQUES

1. **Garder les mains éloignées de la lame et de la zone de coupe.** Votre seconde main doit se trouver sur la poignée auxiliaire en le carter du moteur. Si les deux mains sont utilisées pour tenir la scie, elles n'entreront pas en contact avec la lame.
2. **Placez-vous toujours de manière à ne pas vous trouver dans la trajectoire de la lame de la scie.** Les reculs peuvent faire violemment reculer la scie. (Voir : Reculs, « Quelles en sont les causes et quels sont les moyens pour les éviter »)
3. **Ne passez pas les mains sous la pièce.** Le protège lame ne vous protège pas de la lame en dessous de la pièce.
4. **Vérifiez toujours si le protège lame se ferme correctement avant chaque utilisation.** N'utilisez pas la scie, si le protège lame ne pivote librement pas (et ne se referme pas instantanément). Assurez-vous qu'il se déplace librement et qu'il ne touche pas la lame ni toute autre pièce, quels que soient son angle et la profondeur de coupe.
5. **Vérifiez toujours le fonctionnement et l'état du ressort du protège lame inférieur.** Si le protège lame et le ressort ne fonctionnent pas correctement, il faut les

faire réparer avant d'employer la scie. La protège lame inférieur peut fonctionner lentement si des pièces sont endommagées ou s'il y a des dépôts de gomme ou des débris

6. **Le protège lame inférieur doit être rétracté manuellement seulement pour des coupes spéciales comme coupes en cavité et coupes en angles combines.** Relevez toujours le protège lame par la poignée de rétraction. Dès que la lame pénètre dans le matériau à couper le protège lame inférieur doit être relâché. Pour tous les autres sciages le protège lame inférieur doit fonctionner automatiquement.
7. **Assurez-vous toujours que la protège lame inférieur recouvre la lame avant de poser la scie sur l'établi ou le sol.** Une lame non protégée tournant encore peut faire déplacer la scie vers l'arrière, et couper tout ce qui pourrait se trouver sur son passage. Notez le temps nécessaire pour que la lame s'arrête complètement une fois la détente relâchée.
8. **Ne tenez jamais la pièce à couper avec les mains ou sur les genoux.** Il est important de prévoir des appuis appropriés pour la pièce afin de minimiser l'exposition du corps, le coincement de la lame, ou la perte de contrôle.
9. **Tenez l'outil par les surfaces de préhension isolées pour effectuer une opération dans laquelle l'outil de coupe peut entrer en contact de fils cachés ou de son propre cordon.** Tout contact avec un fil sous tension met les parties métalliques exposées de l'outil sous tension et transmet un choc électrique à l'opérateur.
10. **Lors de la refente, utilisez toujours un guide de bord ou de coupe parallèle.** Ceci améliore la précision de la coupe et réduit les possibilités de coincement de la lame.
11. **Utilisez toujours des lames de dimensions correctes.** (Diamond vs. Ronde) avec les trous arbre. Les lames qui ne correspondent pas à la ferrure de fixation de la scie ne peuvent pas fonctionner bien.
12. **N'utilisez jamais de boulons ou rondelles d'aube endommagées ou incorrectes.** Les rondelles d'aube et boulons ont été conçus spécifiquement pour la scie, pour des meilleures performances et sécurité.
13. **Lorsque vous utilisez cet outil, portez toujours des lunettes protectrices.** Portez toujours des gants durs de protection lorsque vous changez les lames de la scie. L'utilisation de l'équipement de protection adéquat réduit les risques de blessure. Pour vous protéger des étincelles, il est conseillé de porter un tablier en cuir et une protection pour les bras lorsque vous coupez des métaux.
14. **Maintenez l'aire de travail.** Assurez-vous que l'espace de travail est bien éclairé. Assurez-vous toujours que la surface de travail ne comporte pas de clous ou d'autres corps étrangers. N'utilisez pas en présence de vapeurs explosives comme celles dégagées par des liquides, des gaz ou des poussières inflammables. N'utilisez pas l'outil dans un endroit mouillé ou humide.

15. **Évitez les démarrages accidentels.** Assurez-vous d'être entièrement prêt à effectuer une coupe avant de mettre en marche la scie.
16. **Ne forcez pas La Scie.** L'outil approprié fonctionne mieux et de façon plus sécuritaire au régime pour lequel il a été conçu. Ne forcez pas Les Lames dans La pièce à scier.
17. **Lorsque l'outil est branché, ne laissez-le jamais sans surveillance.** Mettez l'interrupteur en position « arrêt » puis retirez la fiche de la prise de courant avant de sortir.
18. **Avant d'utiliser La Scie, assurez-vous que La Lame est bien fixé sur une surface à plat, et qu'elle n'est pas fêlée ni endommagée.**
19. **Les applications d'industrie doivent se conformer aux exigences du NIOSH.**
20. **Lors de la coupe de une grande pièce à scier, assurez-vous de fournir un appui convenable pour la longueur entière.** Si nécessaire, utilisez un support et carter du dispositif d'appel individuel du fil (pas fournie) avec des pièces à scier plus grande.
21. **Afin d'éviter le risque de choc électrique, ne touchez pas La Scie ou Le Cordon d'Alimentation ou Fiche d'Alimentation Électrique avec les mains mouillées.**
22. **Recherchez et enlevez toujours tous les clous se trouvant dans la pièce avant de la couper.** En observant cette règle de sécurité, le risque de blessures graves est réduit.
23. **Vérifiez toujours les murs, planchers et plafonds pour voir s'il n'y a pas de tuyaux ou de fils d'alimentation dissimulés.**
24. **Laissez La lame atteindre sa vitesse maximale avant de l'enfoncer dans la pièce à scier.** Lorsque vous arrêtez La Scie, laissez La Lame s'arrêter complètement.
25. **Lors d'une interruption du sciage mettez l'interrupteur de La Scie en position « ARRÊT » et laissez La Lame s'arrêter complètement.**
26. **N'essayez jamais de retirer des matériaux coincés dans les pièces mobiles de La Scie pendant qu'elle est branchée et en marche.**
27. **Débranchez toujours La Scie de la prise de courant électrique avant d'y placer ou d'en enlever des pièces ou avant un nettoyage.**

MOYENS POUR ÉVITER LES RECULS

28. **Les reculs consistent en un mouvement violent provenant d'un coincement, d'un calage ou d'un mauvais alignement de la lame de la scie, et provoquant un relèvement non contrôlé de la scie hors de la pièce et vers l'utilisateur.**

Lorsque la lame est coincée ou calée par la fermeture du trait de scie, la lame se bloque et la réaction du moteur est d'entraîner l'outil rapidement vers l'arrière donc vers l'utilisateur. Si la lame se tord ou d'aligne mal lors de la coupe, les dents du bord arrière de lame peuvent mordre dans la surface supérieure de la pièce entraînant une sortie de la lame hors du trait de scie et un recul violent vers l'utilisateur. Le recul est le résultat d'un mauvais emploi de l'outil d'une technique ou de conditions inappropriées. Cela peut être évité en prenant les précautions nécessaires comme il est indiqué ci-dessous.

- **Tenez toujours bien la scie avec les deux mains et placez-vous de manière que vous puissiez, avec vos bras, résister à la force des reculs.** La force des Reculs peut être contrôlée par l'utilisateur si de bonnes précautions sont prises.
- **Lors de la remise en marche de la scie dans la pièce, pour éliminer le coincement de la lame, centrez toujours la lame dans le trait de scie et vérifiez que les dents de la lame ne touchent pas le matériau.** Si la lame se coince, celle-ci peut se déplacer ou un recul peut avoir lieu lors de la remise en marche de la scie.
- **Lorsque la lame se coince ou lors d'une interruption du sciage, quelle que soit la raison, relâchez toujours la détente de l'interrupteur et tenez la scie sans la bouger dans le matériau jusqu'à ce que la lame s'arrête complètement.** N'essayez jamais d'enlever la scie de la pièce ni de tirer la scie vers l'arrière lorsque la lame tourne, sinon un recul peut avoir lieu. Faites toujours les vérifications nécessaires et soyez toujours prêt à prendre les mesures qui s'imposent pour éliminer le coincement de la lame.
- **Fournissez toujours un appui convenable lors de la manipulation des grands panneaux pour minimiser le risque de coincement de lame et le recul.** Les grands panneaux ont tendance à se plier sous leur propre poids. Des chevalets doivent être placés sous le panneau et cela sur les deux côtés près de la ligne de coupe et près du bord du panneau.
- **N'utilisez pas de lame endommagée ou émoussée.** Les lames qui ne sont pas tranchantes ou dotées d'une mauvaise voie donnent un trait de scie étroit qui entraîne une friction excessive un coincement de lame et un recul.
- **Assurez-vous toujours que les leviers de verrouillage de réglage de la coupe en biseau et de la profondeur de la lame sont bien montés et serrés avant de scier.** Si le réglage de la lame change pendant le sciage cela peut entraîner un coincement ou un recul.
- **Faites toujours très attention lors d'une coupe d'ouverture dans des murs ou d'autres endroits cachés.** La lame dépassant de l'autre côté peut entrer en contact avec des objets qui peuvent entraîner un recul.

29. **AVERTISSEMENT!** Certains outils, tels que les sableuses électriques, les scies, les meules, les perceuses ou certains autres outils de construction, peuvent soulever de la poussière contenant des produits chimiques susceptibles (en Californie) d'entraîner le cancer des malformations congénitales ou pouvant être nocifs pour

le système reproductif. Parmi ces produits chimiques, on retrouve : le plomb dans les peintures à base de plomb; la silice cristalline dans les briques et le ciment et autres produits de maçonnerie; l'arsenic et le chrome dans le bois de sciage ayant subi un traitement chimique. Le risque associé à telles expositions peut varier selon la fréquence avec laquelle on effectue ces travaux. Pour réduire l'exposition à de tels produits, il faut travailler dans un endroit bien ventilé et utiliser l'équipement de sécurité approprié, tel un masque anti poussière spécialement conçu pour filtrer les particules microscopique. (California Health & Safety Code § 25249.5, et seq.)

30. **Avertissement !** Consultez votre médecin avant d'utiliser cet outil si vous portez un stimulateur cardiaque. Le champ magnétique à proximité d'un cœur peut causer du brouillage ou s'affaiblir le fonctionnement du stimulateur.
31. **Avertissement !** Les consignes de sécurité et précautions mentionnées dans ce guide ne couvriront pas toutes les conditions et situations que peut arriver. Il vous incombe d'utiliser en toute sécurité.

CONSERVEZ CES INSTRUCTIONS

MISE À LA TERRE

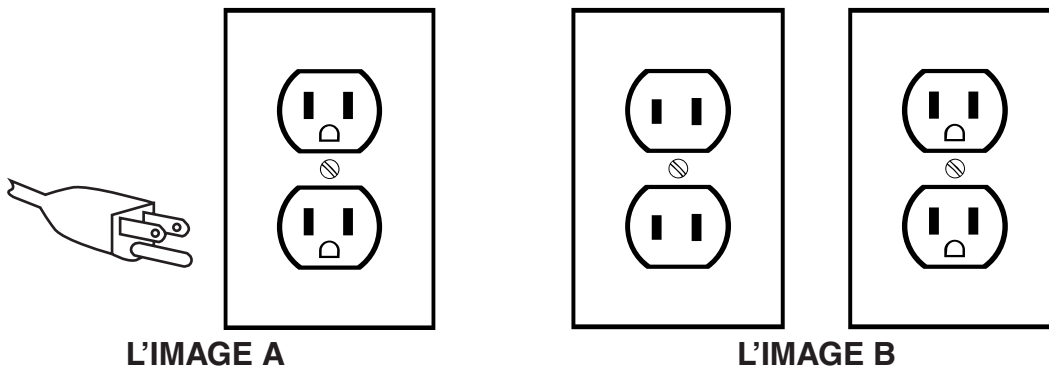
AVERTISSEMENT!

Une mauvaise connexion du fil de terre de l'outil peut entraîner un risque de choc électrique. En cas de doutes, consultez un électricien qualifié ou une personne affectée à l'entretien. Ne modifiez pas la fiche de l'outil. Ne modifiez pas la fiche mise à la terre à trois broches. N'utilisez pas l'outil si le cordon d'alimentation ou la fiche est endommagé. S'il est endommagé le faites réparer dans un centre de service avant de l'utiliser.

LES OUTILS MISE À LA TERRE : LES OUTILS FICHE À TROIS BROCHES

1. Les outils étiquetés «Mise à la terre requis» sont munis d'un cordon tri filaire mise à la terre et une prise de mise à la terre. La fiche doit être branché à un cordon mis à la terre. En cas de fonctionnement défectueux ou de panne, la mise à la terre assure un parcours sécuritaire de faible résistance pour le courant électrique, ce qui réduit les risques de choc électrique. **(Voir L'IMAGE A.)**
2. La broche de mise à la terre à l'intérieur de la fiche est raccordée à travers le fil vert à l'intérieur du cordon au conducteur de mise à la terre de l'outil. Le fil vert à l'intérieur du cordon doit être le seul fil raccordé au conducteur de mise à la terre de l'outil et ne devrait jamais être raccordé à une lame sous tension. **(Voir L'IMAGE A.)**

3. L'outil doit être branché dans une prise de courant correctement installée et mise à terre conformément à tous les codes et règlements locaux. La fiche et la prise de courant semblable à celles l'illustrée ci-après. **(Voir L'IMAGE A.)**



LES OUTILS À DOUBLE ISOLATION: LES OUTILS AVEC FICHE À DEUX BROCHES

1. La double isolation élimine le besoin d'un cordon tri filaire mis à la terre et d'un système d'alimentation mise à la terre. Ils ont un système spécial double isolation qui se conforme aux exigences de OSHA et conforme aux normes de Underwriters Laboratories, Inc., de L'Association Canadienne de Normalisation et du Code Electrique National. **(Voir L'IMAGE B.)**
2. Les outils à double isolation peuvent être utilisé dans l'un ou l'autre de la prise de courant d'un circuit de 120 volts comme le montre l'illustration ci-dessus. **(Voir L'IMAGE B.)**

CORDONS DE RALLONGE




1. L'outil avec mise à la terre doit utiliser une rallonge à trois fils. Les outils a double isolation peuvent utiliser une rallonge à deux ou trois fils.
2. L'utilisation d'un cordon de calibre inférieur occasionne une baisse de tension entraînant une perte de puissance et la surchauffe. **(Voir L'IMAGE C.)**
3. Le calibre du fil est inversement proportionnel à sa grosseur. **(Voir L'IMAGE C.)**
4. Lorsque vous utilisez plus d'un cordon de rallonge pour longueur, assurez-vous que le calibre des fils des cordons convient à l'intensité du courant consommé par l'outil. **(Voir L'IMAGE C.)**
5. Si vous utilisez un cordon de rallonge pour multiples outils, mettez l'intensité nominale de la plaque signalétique et utiliser le somme de déterminer le calibre de cordon minimum requis. **(Voir L'IMAGE C.)**

6. Lorsque vous utilisez un outil électrique à l'extérieur, vous devez vous servir d'une rallonge électrique portant le symbole « W-A » ou « W ».au Canada. Ces cordons ont une tolérance appropriée à un usage extérieur.
7. Assurez-vous que la rallonge est bien câblée et en bon état. Si la rallonge est endommagée, remplacez-la ou faites-la réparer par un électricien qualifié avant de vous en servir.
8. La rallonge ne doit pas venir en contact avec des objets tranchants, être exposée à de la chaleur excessive ni être utilisée dans un endroit mouillé ou humide.

CALIBRE MINIMUM DES RALLONGES * (COURANT DE 120 OU 240 V SEULEMENT)					
L'INTENSITÉ NOMINALE (au maximum)	Longueur de la rallonge en pieds				
	25 pieds	50 pieds	75 pieds	100 pieds	150 pieds
0 – 2.0	18	18	18	18	16
2.1 – 3.4	18	18	18	16	14
3.5 – 5.0	18	18	16	14	12
5.1 – 7.0	18	16	14	12	12
7.1 – 12.0	18	14	12	10	-
12.1 – 16.0	14	12	10	-	-
16.1 – 20.0	12	10	-	-	-

L'IMAGE C *Basé sur limitant le volt du cordon, baissez à cinq volts à 150 % de l'intensité nominale.

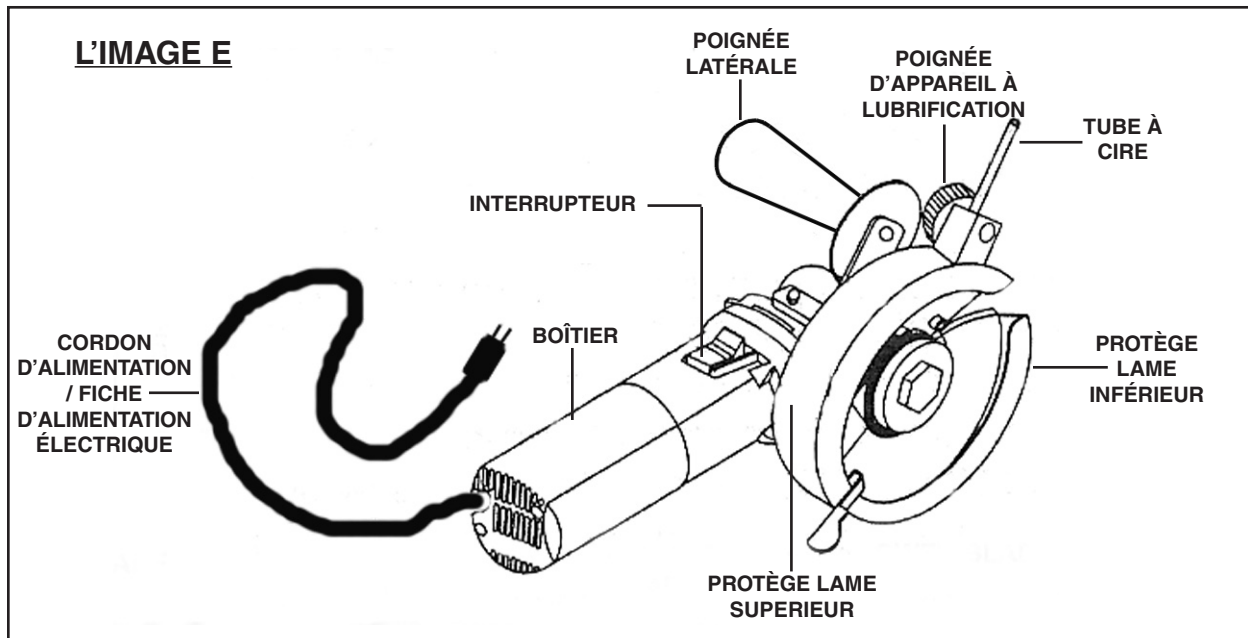
SYMBOLES

	Construction de Classe 2
	Association Canadienne de Normalisation
	Underwriters Laboratories Inc.
V~	Volts
A	Ampères
n ₀ xxxx/min.	Sous Vide xxxx/tours à la minute

DÉBALLER

Lorsque vous déballez, assurez-vous que toutes les pièces qui figurent à la page 16 sont incluses. S'il manque des pièces ou si des pièces sont endommagées, communiquez le plus vite possible avec Harbor Freight Tools au numéro qui figure sur la couverture de ce guide.

CARACTÉRISTIQUES



1. **L'Interrupteur:** L'outil est mis en marche en appuyant sur l'interrupteur. Relâchez l'interrupteur d'arrêter la scie.
2. **Cordon D'alimentation / Fiche D'alimentation Électrique :** Le Cordon d'Alimentation/ Fiche d'Alimentation Électrique doit être branché seulement à une prise de courant de 120 V et mise à la terre. Ne tirez pas sur le cordon de le débrancher de la prise de courant électrique.
3. **Poignée et Boîtier :** La Poignée Latérale permet au contrôle augmenté de la scie et plus de sécurité. Lors de l'utilisation de la scie, tenez toujours fermement La Poignée Latérale et Boîtier.
4. **La Protège Lame Inferieur et La Protège Lame Supérieur :** Avant chaque utilisation de La Scie, assurez-vous toujours que La Protège Lame Inferieur et La Protège Lame Supérieur fonctionnent correctement. De plus, assurez-vous que Les Lames de La Scie ne touche pas l'une ou l'autre des Protège Lames.
5. **La Tube à Cire et La Poignée d'Appareil de Lubrification :** Utilisez toujours une tube de cire lubrification lorsque vous coupez des aluminiums, cuivre, acier inoxydable, et fonte. Lors du sciage, ces matériaux ont tendance à adoucir et adhérer à

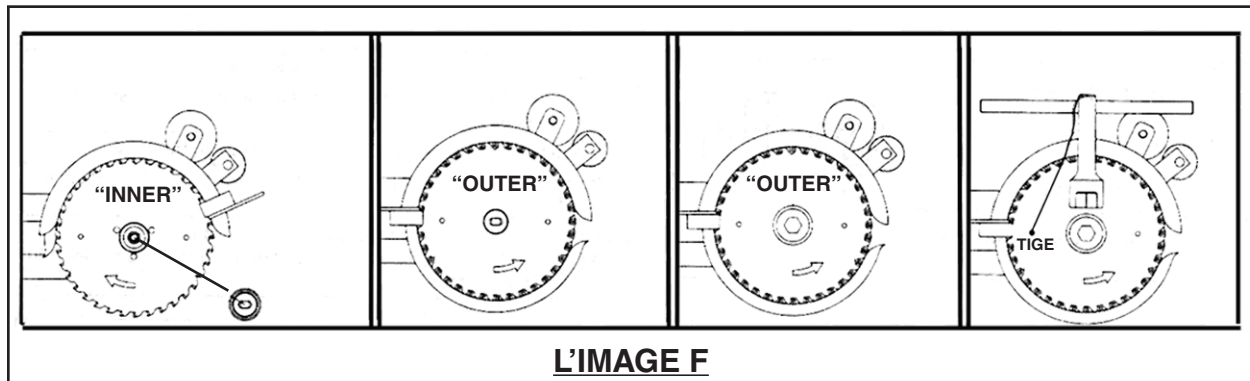
SKUs 94596 & 94896 **Pour obtenir de l'assistance composez le 1-800-444-3353.** Page 12

la lame et peut diminuer la performance de La Scie. Pour utiliser un tube à cire, insérez le tube à cire dans le distributeur de l'appareil de lubrification. Tournez la poignée de l'appareil de lubrification afin d'appliquer de la graisse aux lames.

6. **Lames:** Conservez toujours les lames bien affûtées, propres, et bien installées dans La Scie. Des lames émoussées peuvent faire dévier la scie ou caler sous la pression. Il est recommandé de garder des lames supplémentaires.

Pour placer la lame dans La Scie:

- a. Débranchez La Scie de la prise de courant électrique.
- b. Afin d'éviter des accidents, assurez-vous de porter des gants durs lors de l'installation des neuf lames.



L'IMAGE F

- c. Posez La Scie avec La Contre Écrou de la lame vers le haut. **(Voir L'Image F, ci-dessus)**
- d. Ouvrez Le Protège Lame Inferieur.
- e. Placez La Lame portant « **INNER** » SUR Le Collet de Boîte à Engrenage avec le mot « **INNER** » bien évident. Puis, alignez les trous dans La Lame avec Les Tiges sur Le Collet et fixez bien La Lame sur Le Collet.
- f. Placez La Lame portant « **OUTER** » sur L'Adaptateur de l'Arbor avec le mot « **OUTER** » bien évident. Puis, filetez (ne serrez pas) Le Contre Écrou de La Lame sur Le Collet de La Boîte à Engrenage.
- g. Tournez Les Lames pour que les trous dans les deux lames soient alignés.
- h. Insérez La Tige qu'est attachée à La Clé dans les trous alignés de La Lame.
- i. En utilisant La Clé, serrez La Contre Écrou de La Lame vers la droite. **Ne serrez pas excessivement.** Puis, enlevez la tige de la lame. Ceci permet aux lames de tourner librement.
- j. Tournez Les Lames en portant des gants pour vous assurer que Les Lames tournent facilement vers la droite et la gauche.

MODE D'EMPLOI

Remarque : Reportez-vous à l'Image E à la page 11 durant la procédure montrée ci-après.

AVERTISSEMENT! Utilisez toujours l'équipement de sécurité. Portez toujours des lunettes protectrices approuvées par ANSI et des gants d'électricien en caoutchouc lors de l'utilisation et entretien. Portez aussi un masque anti poussière, et un protecteur auditif, selon les conditions.

AVERTISSEMENT! Vérifiez toujours si le protège lame se ferme correctement avant chaque utilisation. N'utilisez pas la scie, si le protège lame ne pivote librement pas (et ne se referme pas instantanément). Assurez-vous qu'il se déplace librement et qu'il ne touche pas la lame ni toute autre pièce, quels que soient son angle et la profondeur de coupe.

AVERTISSEMENT! Utilisez des serre-joints (pas fournis) de retenir et de soutenir la pièce à scier.

1. Assurez-vous que L'Interrupteur se trouve à la position d'arrêt (OFF) et La Fiche est débranchée de sa source d'alimentation.
2. Insérez un tube à cire dans le distributeur de l'appareil de lubrification. Tournez la poignée de l'appareil de lubrification pour appliquer de la graisse aux lames. Un tour de $\frac{1}{4}$ de la poignée de l'appareil de lubrification fournira de la lubrification adéquate pour quelques coupes. Si nécessaire, de réappliquer plus de cire, arrêtez la scie. Attendez que les lames s'arrêtent complètement. Débranchez l'outil de la prise de courant électrique. Puis réajustez le tube à cire afin de continuer à appliquer de la graisse aux lames.
3. Branchez Le Cordon d'Alimentation / La Fiche d'Alimentation Électrique dans une prise de courant mise à la terre d'un circuit de 120 volts.
4. Placez Les Lames à $\frac{1}{2}$ po du début de la ligne de coupe sur la pièce à scier. Ne laissez pas Les Lames de toucher la pièce à scier. Remarque : La largeur du trait de scie des deux lames est environ de $\frac{1}{8}$ po. Assurez-vous toujours de tenir compte de ça.
5. Tenez La Scie fermement à deux mains. Puis, appuyez sur L'Interrupteur pour mettre en marche l'outil.
6. **Laissez La lame atteindre sa vitesse maximale avant de l'enfoncer dans la pièce à scier.** Lorsque vous arrêtez La Scie, laissez La Lame s'arrêter complètement. N'appuyez pas sur La Lame pour l'arrêter.
7. Une fois que vous avez fini de scier, relâchez L'Interrupteur et laissez la lame s'arrêter complètement. Après l'arrêt de la lame, retirez-la de la pièce et débranchez La Scie de la prise de courant.
8. Assurez-vous toujours de ranger l'appareil dans un endroit sécuritaire, propre et sec, hors de la portée des enfants et des personnes inexpérimentées.

SKUs 94596 & 94896 **Pour obtenir de l'assistance composez le 1-800-444-3353.** Page 14

INSPECTION, ENTRETIEN, ET NETTOYAGE

1. **ATTENTION !** Assurez – vous que L’Interrupteur est réglé à « OFF » et que l’outil est débranché de la prise de courant électrique avant d’y placer ou d’en enlever des pièces ou avant un nettoyage.
2. **AVANT CHAQUE UTILISATION, vérifiez l’état de l’outil.** Vérifiez si des pièces mobiles sont désalignées ou coincées, si des pièces sont endommagées ou toute autre situation pouvant nuire au bon fonctionnement de l’outil. Si une vibration anormale se fait sentir ou si un bruit inhabituel se fait entendre, fait corriger le problème avant de réutiliser l’appareil.
N’utilisez pas votre outil si une pièce est endommagée.
3. **Avant chaque utilisation :** Vérifiez Les Lames de La Scie. Utiliser les lames émoussées sévèrement usera Le Moteur de La Scie et ne peut plus fonctionner bien. Si nécessaire, remplacez les lames. **Lorsque vous remplacez Les Balais de Carbone, remplacez toujours les deux brosses à la fois. (Voir L’Image F)**
4. **Remplacer ou Nettoyer Les Balais de Carbone:** Il peut falloir de remplacer ou nettoyer Les deux Balais de Carbone lorsqu’elles ne peuvent plus fonctionner bien. Les Balais de Carbone se trouvent à l’arrière du Boîtier.
(Voir Le Schéma du Produit.)
Pour remplacer ou nettoyer Les Balais de Carbone :
 - a. Dévissez et retirez les deux Vis Auto Taraudeuse se trouvent sur Le Couvercle à l’arrière du Boîtier.
 - b. Enlevez lentement Le Couvercle à l’arrière pour exposer Les Balais de Carbone.
 - c. Enlevez Les deux Balais de Carbone de les deux Support de Brosse.
 - d. Si l’une ou l’autre des balais est écaillé ou endommagé les deux brosses doivent être remplacées. Si elles sont vernies, et la longueur est plus de 1\8 po, le vernis peut être retiré avec une gomme.
 - e. Lorsque vous installez Les Balais de Carbone, assurez-vous que la partie carbone des Balais de Carbone touche Le Stator du Moteur et que les ressorts se détournent du Stator. En outre, assurez-vous que les ressorts fonctionnent librement.
 - f. Après le remplacement ou le nettoyage, repoussez Le Couvercle à l’arrière contre Le Boîtier. Puis, remplacez les deux Vis Auto Taraudeuse.
 - g. **Remarque : Lorsque vous utilisez des neuf Balais de Carbone pour la première fois, elles peuvent causer d’arc ou des étincelles.**
5. **Afin d’essuyer l’extérieur de l’appareil, utilisez un chiffon propre et détergent doux. N’immergez jamais l’appareil dans un liquide.**
6. **ATTENTION! L’Entretien qui n’est pas mentionné dans ce guide doit être effectué par un technicien qualifié.**

LISTE DE PIÈCES – MODELE 94896

IMPORTANT

Lorsque vous commandez des pièces, faites référence au modèle pour lequel vous commandez. Les Pièces ne sont pas interchangeables.

Pièce	Description	Qty.
1	Lame de 5 po	1 Set
2	Plaque	1
3	Protection Mécanique	1
4	Rondelle de Sureté	1
5	Vis M4 x 14	1
6	Tige en Caoutchouc	1
7	Vis SA M4 x 12	1
8	Protection Mécanique	1
10	Vis auto taraudeuse ST 4.2 x 35	4
11	Boîte à engrenage	1
12	Poignée Latérale	1
13	Couvercle	1
14	Pignon	1
15	Alésage	1
16	Armature	1
17	Alésage	1
18	Étiquette	1
19	Protecteur de Cordon	1
20	Vis auto taraudeuse ST 4.2 x 12	1
21	Cordon de Retenue	2
22	Fil de Sortie	2
23	Ressort	1
24	Interrupteur	1
25	Vis auto taraudeuse ST 4.2 x 20	2
26	Interrupteur	1

Pièce	Description	Qty.
27	Couvercle	1
28	Ressort	1
30	Couvercle à l'arrière	1
31	Vis auto taraudeuse ST 4.2 x 16	2
32	Étiquette	1
33	Interrupteur	1
35	Boîtier	1
36	Stator	1
37	Vis auto taraudeuse ST 4.2 x 14	2
38	Cordon d'Alimentation	1
39	Balai de Carbone	2
40	Support de Brosse	2
42	Contre-écrou	1
43	Clé et Tige	1
44	Tube à Cire	6
45	Appareil à Lubrification	1
46	Vis auto taraudeuse ST 4.8 x 10	1
47	Label Rotation	1
48	Bobine d'Induction	2
49	Connecteur	1
50	Bouchon de Porte-balai	2
51	Encastrement de Coussinet	1
52	Assemblée de Protection Mécanique	1
53	Limiteur de Surcharge	1
*Cela inclut des pièces 2, 3, 4 et 8.		

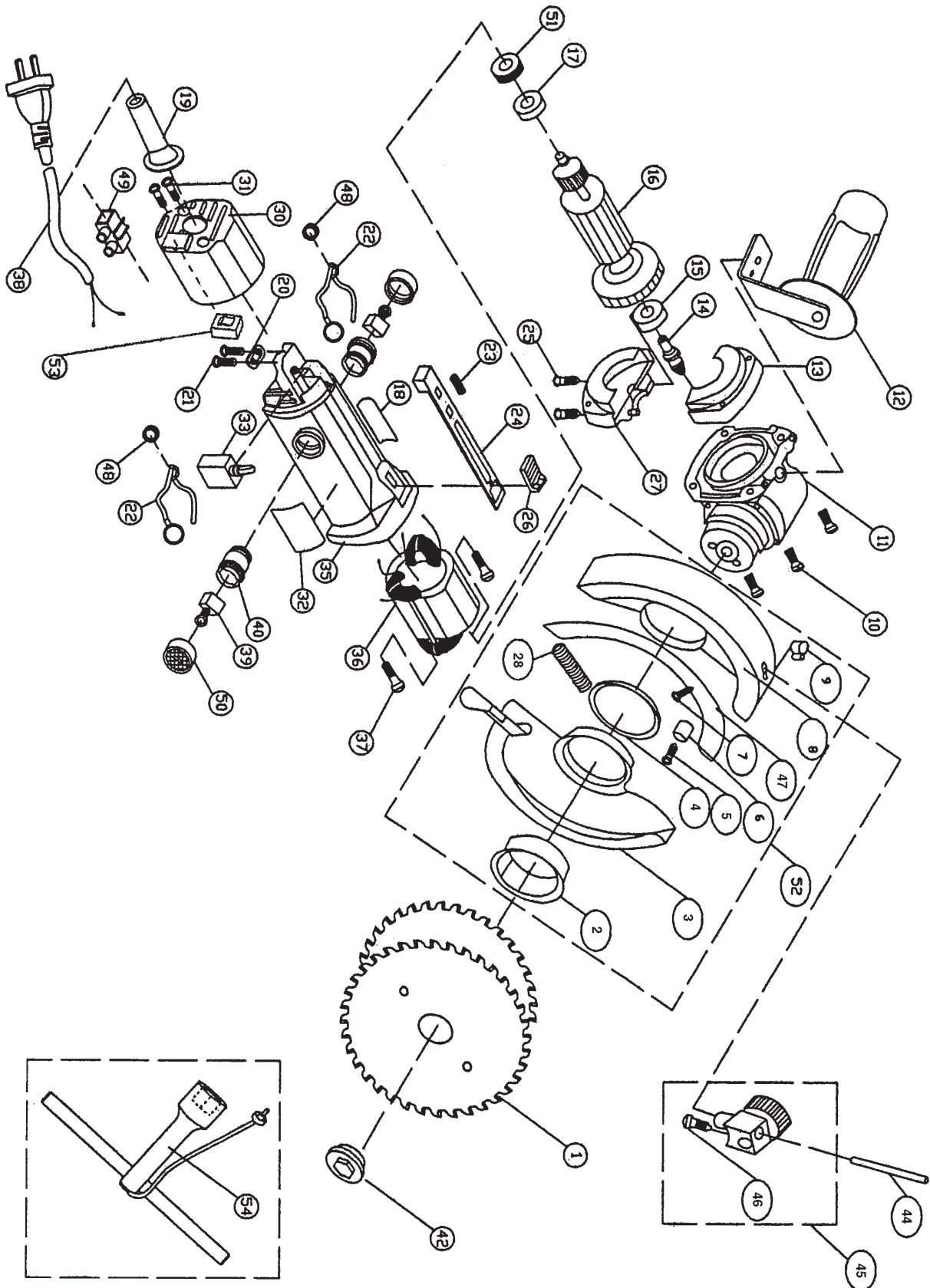
Enregistrez le Numéro de série de Produit Ici: _____

Notez: Si le produit n'a aucun numéro de série, mois record et année d'achat plutôt.

Notez: Quelques pièces sont énumérées et montrées pour les buts d'illustration seulement et ne sont pas en vente individuellement comme les pièces détachées.

SKUs 94596 & 94896 **Pour obtenir de l'assistance composez le 1-800-444-3353.** Page 16

SCHEMA DU PRODUIT – MODELE 94896



LISTE DE PIÈCES A – MODÈLE 94596

IMPORTANT

Lorsque vous commandez des pièces, faites référence au modèle pour lequel vous commandez. Les Pièces ne sont pas interchangeables.

Pièce	Description	Qty.
1a	Lame de 6 1/8 po	1 Set
2a	Plaque de Garde	1
3a	Protège Lame Inferieur	1
4a	Rondelle de Sureté	1
5a	Vis (M4 X14)	1
6a	Épingle de caoutchouc	1
7a	Vis (SA M4 X 12)	1
8a	Protège Lame Supérieur	1
10a	Vis auto taraudeuse ST (4.2 x 35)	4
11a	Boite à engrenages	1
12a	Poignée Latérale	1
13a	Couvercle	1
14a	Pignon	1
15a	Alésage 6000zz	1
16a	Armature	1
18a	Rondelle de Caoutchouc	1
19a	Alésage 607zz	1
21a	Protecteur de Cordon	1
22a	Coulisseau	1
23a	Vis auto taraudeuse (ST 4.2 x 12)	1
24a	Fil de Sortie (IV)	2
25a	Ressort	1
26a	Rondelle de Ressort	1
27a	Levier d'Interrupteur	1
28a	Vis auto taraudeuse (ST 4.2 x 20)	1
29a	Interrupteur	1

Pièce	Description	Qty.
30a	Couvercle	1
31a	Ressort	1
33a	Étiquette	1
34a	Couvercle à l'arrière	1
35a	Vis auto taraudeuse (ST 4.2 x 16)	2
37a	Parasurtenseur	1
38a	Interrupteur	1
39a	Condensateur	1
40a	Boîtier	1
41a	Stator	1
42a	Vis auto taraudeuse (ST 4.2 x 65)	2
43a	Cordon d'Alimentation / Fiche d'Alimentation Électrique	1
47a	Fil de Sortie (IV)	1
48a	Vis auto taraudeuse (ST 2.2 x 8.5)	4
49a	Ressort	4
50a	Balai	2
51a	Support de Balai	2
53a	Contré Écrou	1
54a	Clé et Tige	1
55a	Fourreau de Cire	6
56a	Appareil de Lubrification	1
57a	Vis auto taraudeuse (ST 4.8 x 10)	1
58a	Étiquette de rotation	1
59a	Montage de garde	1
63a	14mm & 22mm Arbre de Clé	1

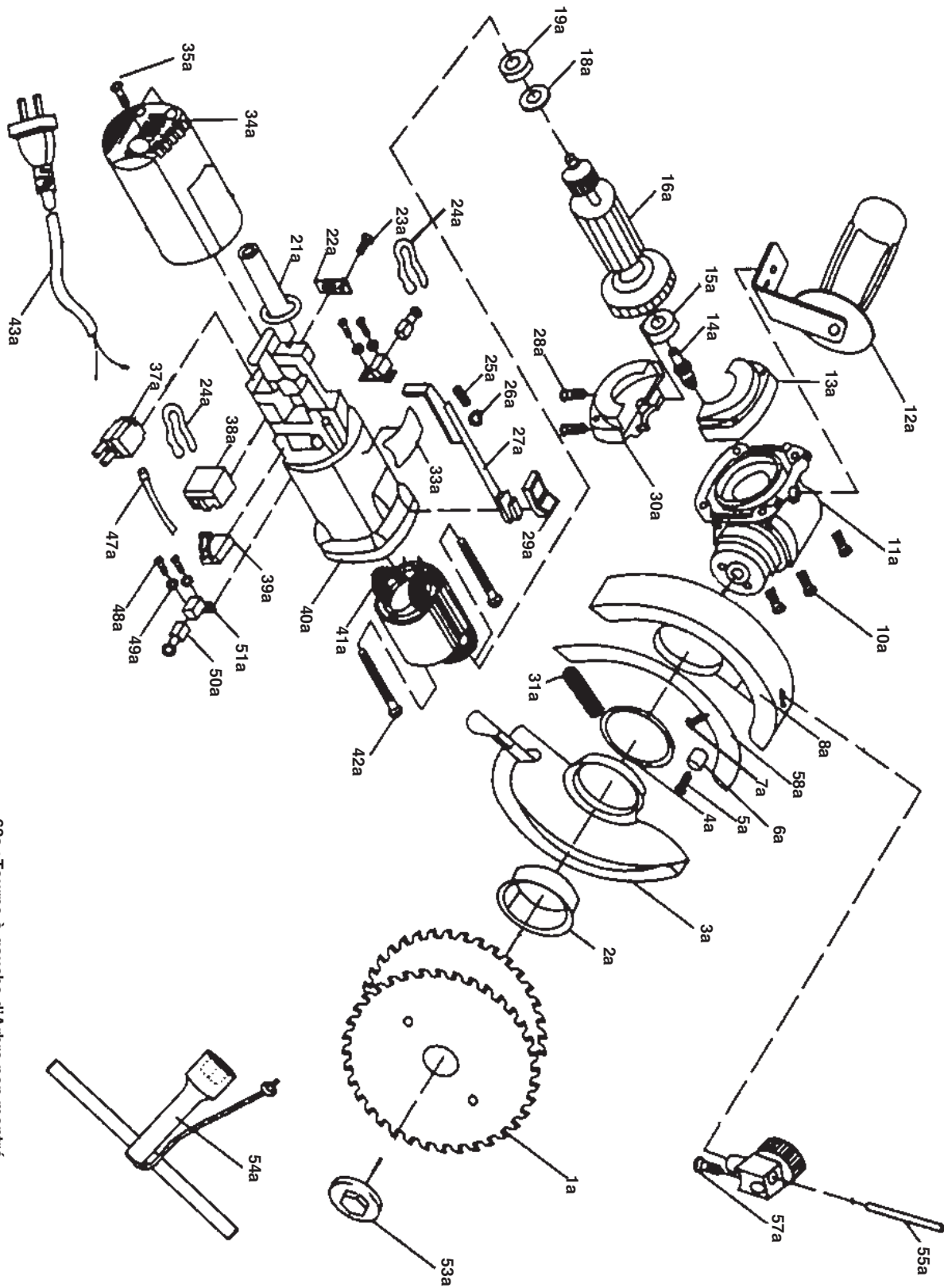
Enregistrez le Numéro de série de Produit Ici: _____

Notez: Si le produit n'a aucun numéro de série, mois record et année d'achat plutôt.

Notez: Quelques pièces sont énumérées et montrées pour les buts d'illustration seulement et ne sont pas en vente individuellement comme les pièces détachées.

SKUs 94596 & 94896 **Pour obtenir de l'assistance composez le 1-800-444-3353.** Page 18

SCHEMA DU PRODUIT A – MODÈLE 94596



63a : Tourne-à-gauche d'Arbre non montré.



Free Manuals Download Website

<http://myh66.com>

<http://usermanuals.us>

<http://www.somanuals.com>

<http://www.4manuals.cc>

<http://www.manual-lib.com>

<http://www.404manual.com>

<http://www.luxmanual.com>

<http://aubethermostatmanual.com>

Golf course search by state

<http://golfingnear.com>

Email search by domain

<http://emailbydomain.com>

Auto manuals search

<http://auto.somanuals.com>

TV manuals search

<http://tv.somanuals.com>