



Air Purifier

MODEL: BAP414-CN



Read instructions before operating.
Retain for future reference.

Instruction Leaflet

INFO-LINE

If after having read this leaflet, you have any questions or comments on your air cleaner, call 1-800-253-2764 in North America. 128311/9100040003400

AIR CLEANER SAFETY

PLEASE READ AND SAVE THESE IMPORTANT SAFETY INSTRUCTIONS

When using electrical appliances, basic safety precautions should always be followed to reduce the risk of fire, electric shock, and injury to persons, including the following:

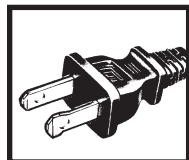
1. Read all instructions before using appliance.
2. To avoid fire and shock hazard, plug the appliance directly into a 120V AC electrical outlet.
3. If the filter is covered by a bag when shipped: remove plastic bag before use.
4. Keep the cord out of heavy traffic areas. To avoid fire hazard NEVER put the cord under rugs, near heat registers, radiators, stoves or heaters.
5. To protect against electrical hazards DO NOT immerse in water or other liquids. Do not use near water.
6. Close supervision is necessary when any appliance is used by, or near children or by disabled persons.
7. Always unplug the air purifier before moving it, opening the grill, changing the filters or whenever the air purifier is not in use. Unplug by pulling on the plug and not the cord.
8. NEVER drop or insert any object into any openings.
9. Do not operate any appliance with a damaged cord or plug, if motor fan fails to rotate, after the appliance malfunctions, or if it has been dropped or damaged in any manner. Return appliance to manufacturer for examination, electrical or mechanical adjustment or repair.
10. Use appliance only for the intended household use as described in this manual. Any other use not recommended by the manufacturer may cause fire, electric shock or injury to persons. The use of attachments not recommended or sold by the manufacturer may cause hazards.
11. Do not use outdoors.
12. Never block the air openings, or place on soft surface, such as bed or sofa, as this could cause the unit to tip over thus blocking the air intake opening.
13. Keep unit away from heated surfaces and open flames.
14. DO NOT attempt to repair or adjust any electrical or mechanical functions on this unit. Doing so will void the warranty. The inside of the unit contains no user serviceable parts. All servicing should be performed by qualified personnel only.

15. **WARNING:** To reduce the risk of fire or electrical shock, DO NOT use this air purifier with any solid-state speed control device.

16. DO NOT place anything on top of the unit.

PLEASE SAVE THESE INSTRUCTIONS

CONSUMER SAFETY INFORMATION



THIS APPLIANCE HAS A POLARIZED PLUG (one blade is wider than the other). To reduce the risk of electric shock, this plug is intended to fit in a polarized outlet only one way. If the plug does not fit fully in the outlet, reverse the plug. If it still does not fit, contact a qualified electrician to install the proper outlet.

DO NOT DEFEAT THE SAFETY PURPOSE OF THIS POLARIZED PLUG IN ANY WAY.

The length of the cord used on this product was selected to reduce the hazards of becoming tangled in, or tripping over a longer cord. If a longer cord is necessary an approved extension cord may be used. The electrical rating of the extension cord must be equal to or greater than the rating of the air cleaner (refer to the rating label placed on the air purifier). Care must be taken to arrange the extension cord where it cannot be pulled on by children or accidentally tripped over.

IONIZER

Your Air Purifier has an independently controlled ionizer, which, when turned on, releases negative ions into outgoing filtered air. Ions are tiny particles that carry a positive or negative charge. These ions exist naturally around us, in the air, water and ground. Both positive and negative ions are colorless, odorless and completely harmless. Negative ions help the air purification process by attaching themselves to very small airborne particles in the room.

These particles take on a negative charge and may join with positively charged particles such as dust, pollen, smoke and pet dander to form larger particles that are then more readily captured by the filter system, or may be attracted to positively charged surfaces throughout the home, like walls or floors. This may occur more frequently when the filter is nearing the end of its functional life expectancy and is able to capture less of the charged particles.

You may also note after extended use, that dust has collected around the grills or front panel. This is from the ionization affect caused by the negative ions exiting from the air outlet. This is additional evidence of the air cleaning effectiveness of negative ions. The dust can be easily removed with a clean, damp cloth or soft brush.

2 YEAR LIMITED WARRANTY

Sunbeam Products, Inc. doing business as Jarden Consumer Solutions or if in Canada, Sunbeam Corporation (Canada) Limited doing business as Jarden Consumer Solutions (collectively "JCS") warrants that for a period of two years from the date of purchase, this product will be free from defects in material and workmanship. JCS, at its option, will repair or replace this product or any component of the product found to be defective during the warranty period. Replacement will be made with a new or remanufactured product or component. If the product is no longer available, replacement may be made with a similar product of equal or greater value. This is your exclusive warranty. Do NOT attempt to repair or adjust any electrical or mechanical functions on this product. Doing so will void this warranty.

This warranty is valid for the original retail purchaser from the date of initial retail purchase and is not transferable. Keep the original sales receipt. Proof of purchase is required to obtain warranty performance. JCS dealers, service centers, or retail stores selling JCS products do not have the right to alter, modify or any way change the terms and conditions of this warranty.

This warranty does not cover normal wear of parts or damage resulting from any of the following: negligent use or misuse of the product, use on improper voltage or current, use contrary to the operating instructions, disassembly, repair or alteration by anyone other than JCS or an authorized JCS service center. Further, the warranty does not cover: Acts of God, such as fire, flood, hurricanes and tornadoes.

What are the limits on JCS's Liability?

JCS shall not be liable for any incidental or consequential damages caused by the breach of any express, implied or statutory warranty or condition.

Except to the extent prohibited by applicable law, any implied warranty or condition of merchantability or fitness for a particular purpose is limited in duration to the duration of the above warranty.

JCS disclaims all other warranties, conditions or representations, express, implied, statutory or otherwise.

JCS shall not be liable for any damages of any kind resulting from the purchase, use or misuse of, or inability to use the product including incidental, special, consequential or similar damages or loss of profits, or for any breach of contract, fundamental or otherwise, or for any claim brought against purchaser by any other party.

Some provinces, states or jurisdictions do not allow the exclusion or limitation of incidental or consequential damages or limitations on how long an implied warranty lasts, so the above limitations or exclusion may not apply to you.

Finally, using your ionizer may result in an occasional popping or cracking sound. This is a normal sound, generally caused by a small build-up of ions that, when discharged, cause the popping or cracking sound.

NOTE: It is important to replace the HEPA-Type filter at the recommended intervals.

Using the ionizer in conjunction with dirty filters may result in dirty particles exiting the air purifier and being attracted to walls, carpets, furniture or other household objects. These dirty particles may prove very difficult to remove. Homes with excessive amounts of pet dander, dust, or smoke may decrease the life expectancy of the HEPA-Type filtration system and may interfere with the ionization process. You may want to run the ionizer less often and check the condition of the HEPA-Type filter(s) more frequently in order to reduce particles from being attracted to surfaces throughout your home as mentioned above.

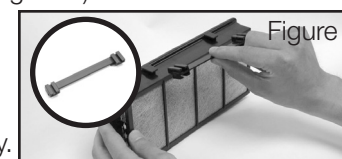
PRE-OPERATING INSTRUCTIONS

1. Carefully unpack your Air Purifier. Select a firm, level place where there are no obstructions to the air inlet or filtered air outlet. A good location in a room is approximately 1 foot away from the wall, in a central location of your home.
2. Remove the air inlet grill by grasping the finger tabs on both sides.
3. Remove the HEPA-Type filter by gripping on both sides and pulling forward.
4. Remove protective plastic bag from the filter cartridge.
5. This model utilizes hang tabs and a filter clip. The clip can only be attached to the tabs on the filter in only one way. The filter clip should easily slide onto the filter hang tab with only a small amount of pressure. DO NOT use force while attaching the clip to the filter. Align the clip on the top of the HEPA-Type filter with the rails on the inside of the purifier unit. Gently slide the filter onto the rail (Figure 1).

NOTE: The side with the soft gasket should face inward.

6. Replace air inlet grill back onto unit securely.

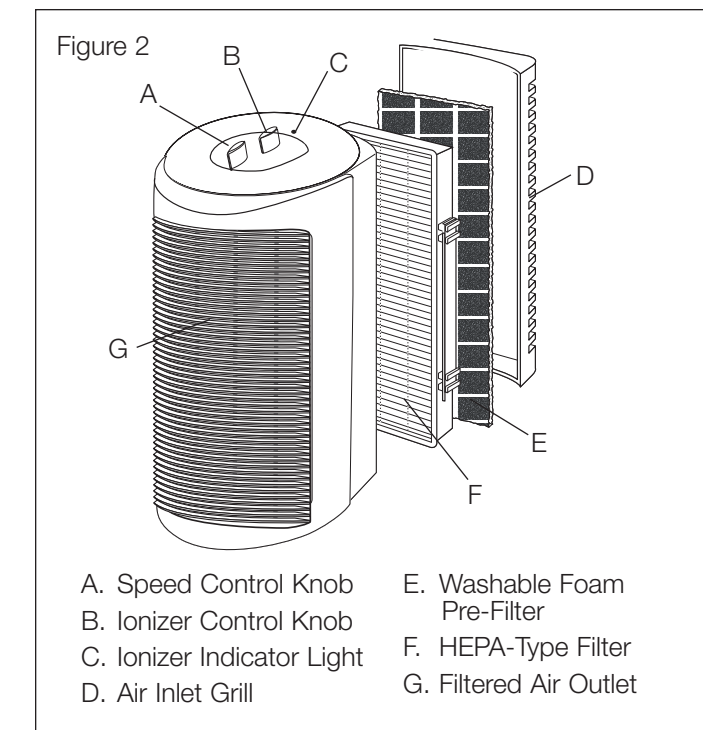
DO NOT POINT OUTLET TOWARDS WALL.



OPERATING INSTRUCTIONS

1. Plug into a 120V AC electrical outlet.
2. Select the desired operating speed. Air Purifiers have three speed settings. You can select from HIGH (☞), MEDIUM (☞) or LOW (-) by moving the knob to the desired setting.
3. To release negative ions into the filtered air, turn the ionizer knob to ON (☞) and the light will illuminate.
4. For optimum air filtration, it is recommended to operate the air purifier continuously. Its rugged motor has been designed to give many years of use.

For continuous use, it is recommended to operate the air purifier at the MEDIUM (☞) setting. For quieter operation or use in a bedroom, select the LOW (-) setting. When high levels of air pollution are present, select the HIGH (☞) setting to quickly circulate and filter the room air.



- A. Speed Control Knob
- B. Ionizer Control Knob
- C. Ionizer Indicator Light
- D. Air Inlet Grill
- E. Washable Foam Pre-Filter
- F. HEPA-Type Filter
- G. Filtered Air Outlet

CLEANING INSTRUCTIONS

Turn off and unplug the unit before cleaning.

1. The outside of the air purifier can be cleaned with a soft, damp cloth.
2. The air inlet grill can be removed and washed in warm soapy water (not dishwasher safe). Dry before replacing in the unit.
3. The air outlet grill can be cleaned of dust with a small, soft brush.

WARNING: Do not allow moisture to come in contact with the main housing of the air purifier.

FILTER REPLACEMENT INSTRUCTIONS

1. Every few weeks, check the condition of the filter.
 2. Remove the air inlet grill. Remove and examine the foam pre-filter. If it has collected a noticeable amount of dust or lint, remove it from the inlet of the grill and wash it in warm soapy water. Rinse and drip dry the pre-filter thoroughly before replacing it into the inlet of the grill.
 3. Check the condition of the HEPA-Type filter. If the filter is dirty, remove the used HEPA-Type cartridge and properly dispose of it. Do NOT try to wash and re-use the HEPA-Type filter. Replace with a new HEPA-Type filter, removing the protective polybag before inserting into the air purifier.
- NOTE:** The side with the soft gasket should face inward.
4. Filter Life – Under normal conditions of continuous use, the HEPA-Type filter will operate efficiently for 3-6 months.

Replacement filters are available from your local retailer or by calling 1-800-253-2764.

Air Purifier Model #	Filter Quantity Needed	Filter #	Filter Description
BAP414-CN	1	BAPF30	HEPA-Type/Carbon

TROUBLESHOOTING	
Problem	Solution
Unit will not operate	Check to make sure unit is properly plugged in. Check to make sure the unit is on by sliding or rotating the power switch to the ON position.
Decreased air flow	Check the filter to see if it is in good condition and if it needs to be changed. Check to ensure nothing is blocking air inlet and filtered air outlet.

If you have any questions regarding your product or would like to learn more about other Bionaire® products, please contact our Consumer Service Department at 1-800-253-2764 or visit our website at www.bionaire.com.

This warranty gives you specific legal rights, and you may also have other rights that vary from province to province, state to state or jurisdiction to jurisdiction.

How to Obtain Warranty Service

In the U.S.A.

If you have any question regarding this warranty or would like to obtain warranty service, please call 1-800-253-2764 and a convenient service center address will be provided to you.

In Canada

If you have any question regarding this warranty or would like to obtain warranty service, please call 1-800-253-2764 and a convenient service center address will be provided to you.

In the U.S.A., this warranty is offered by Sunbeam Products, Inc. doing business Jarden Consumer Solutions located in Boca Raton, Florida 33431. In Canada, this warranty is offered by Sunbeam Corporation (Canada) Limited doing business as Jarden Consumer Solutions, located at 20 B Hereford Street, Brampton, Ontario L6Y 0M1. If you have any other problem or claim in connection with this product, please write our Consumer Service Department.

PLEASE DO NOT RETURN THIS PRODUCT TO ANY OF THESE ADDRESSES OR TO THE PLACE OF PURCHASE.

© 2008 Sunbeam Products, Inc. doing business as Jarden Consumer Solutions. All Rights Reserved. Distributed by Sunbeam Products, Inc. doing business as Jarden Consumer Solutions, Boca Raton, Florida 33431.



Purificateur d'air

MODÈLE : BAP414-CN



Lisez les instructions avant d'utiliser l'appareil.
Conservez-les pour référence future.

Guide d'Utilisation

LIGNE DE RENSEIGNEMENTS

Si vous avez des questions sur les purificateurs d'air après la lecture de ce guide, téléphonez **1-800-253-2764** en Amérique du Nord. 128311/9100040003400

▲ SÉCURITÉ DU PURIFICATEUR D'AIR

VEUILLEZ LIRE ET CONSERVER CES CONSIGNES DE SÉCURITÉ IMPORTANTES

Lors de l'usage de tout appareil électrique, des précautions fondamentales doivent être observées pour réduire les risques d'incendie, de choc électrique et de blessure, y compris les suivantes :

1. Lire toute les directives avant d'utiliser l'appareil.
2. Pour éviter les risques d'incendie ou de choc électrique, branchez l'appareil directement dans une prise électrique CA de 120 V.
3. Si le filtre est couvert d'un sac au moment de l'expédition, retirez le sac en plastique avant l'utilisation.
4. Éviter de laisser traîner le cordon dans un endroit achalandé. Pour éviter les risques d'incendie ÉVITEZ de placer le cordon d'alimentation sous le tapis et près des bouches d'air chaud, radiateurs, poêles ou chauffeferrettes.
5. Pour éviter les risques de choc électrique NE PAS immerger dans l'eau ou autres liquides. Ne pas utiliser près de l'eau.
6. Une surveillance étroite est nécessaire lorsque cet appareil est utilisé par ou près des enfants ou personnes handicapées.
7. Toujours débrancher le purificateur d'air avant de le déplacer, d'ouvrir la grille, de changer les filtres ou lorsque le purificateur d'air n'est pas utilisé. Débranchez l'appareil en tirant sur la fiche, et non sur le cordon.
8. Ne jamais échapper ou insérer des objets dans les ouvertures.
9. Évitez d'utiliser l'appareil si sa fiche ou son cordon est endommagé, si le moteur ne tourne pas, après un mauvais fonctionnement, ou si celui-ci a été échappé ou endommagé de quelque façon. Retournez l'appareil au fabricant à des fins d'examen, de mise au point électrique ou mécanique ou de réparation.
10. Ce produit est conçu pour une utilisation domestique seulement telle que décrite dans ce guide. Tout autre usage non recommandé par le fabricant peut causer des risques d'incendie, de choc électrique ou de blessure. L'usage d'accessoires non recommandés ou non vendus par le fabricant peut présenter des dangers.
11. Ne pas utiliser à l'extérieur.

12. Ne jamais boucher les sorties d'air, ou placer sur des surfaces moelleuses telle qu'un lit ou un divan, l'appareil pourrait verser bloquant les entrées d'air.
13. Gardez l'appareil loin des surfaces chauffées et des flammes.
14. Ne PAS tenter de réparer ou de mettre au point toute fonction électrique ou mécanique de cet appareil. Le fait de le faire annulerait votre garantie. L'intérieur de l'appareil ne contient aucune pièce de service pour le propriétaire. Les réparations ne doivent être effectuées que par le personnel qualifié.
15. **AVERTISSEMENT:** Pour réduire le risque d'incendie ou de choc électrique, NE PAS utiliser ce purificateur d'air avec tout autre appareil de contrôle de vitesse transistorisé.
16. NE PAS placer d'objet sur l'unité.

VEUILLEZ CONSERVER CES INSTRUCTIONS

CONSIGNES DE SÉCURITÉ

CET APPAREIL EST DOTÉ D'UN CORDON À FICHE POLARISÉE (une lame est plus large que l'autre). Afin de réduire les risques d'électrocution, cette fiche ne s'insère que d'un seul sens dans la prise électrique. Si la fiche ne s'insère pas dans la prise, retournez la fiche. Si elle ne s'adapte toujours pas, contactez un électricien qualifié afin d'installer la prise appropriée.

NE TENTEZ PAS DE CONTOURNEZ LES CARACTÉRISTIQUES DE SÉCURITÉ DE CETTE FICHE POLARISÉE.

La longueur du cordon électrique utilisé avec cet appareil a été choisie pour réduire le risque d'emmêlement et le risque de trébucher sur un cordon plus long. Si vous avez besoin d'un cordon plus long, vous pouvez vous servir d'une rallonge approuvée. La capacité nominale électrique de la rallonge doit être équivalente ou supérieure à celle du purificateur d'air (voir la plaque signalétique apposée sur l'appareil). Assurez-vous de placer la rallonge à un endroit où les enfants ne peuvent pas la tirer et évitez les endroits où on peut trébucher dessus.

IONISATEUR

Votre purificateur d'air est doté d'un ioniseur à commande indépendante. Lorsque ce dispositif est en marche, il projet des ions négatifs dans l'air filtré sortant. Un ion est une petite particule à charge positive ou négative. Les ions existent naturellement autour de nous dans l'air, l'eau et la terre. Les ions positifs et négatifs sont incolores, sans odeur et tout à fait inoffensifs. Les ions négatifs aident à purifier l'air en s'attachant aux

particules minuscules suspendues dans l'air de la pièce. Ces particules adoptent une charge négative et peuvent se joindre aux particules à charge positive, telles que la poussière, le pollen, la fumée ou les squames animales. Cela crée alors des particules plus grosses qui sont plus faciles à attraper dans le système de filtrage ou qui peuvent être attirées par des surfaces à charge positive comme les murs ou les planchers partout dans la maison. Ce phénomène se présente plus souvent lorsque le filtre atteint la fin de sa vie utile, c'est-à-dire, au moment où il n'est plus capable d'attraper autant de particules chargées.

Vous remarquerez peut-être que la poussière s'accumule autour des grilles et du panneau avant après une période d'utilisation prolongée. Ceci est causé par l'effet d'ionisation provoqué par les ions négatifs sortant de l'orifice de sortie d'air. Ce phénomène représente une preuve supplémentaire de l'efficacité des ions négatifs pour la purification de l'air. La poussière peut être facilement essuyée à l'aide d'un chiffon propre et humide ou d'une brosse à poils doux.

Lorsque vous utilisez votre ioniseur, vous entendrez parfois un bruit d'éclatement ou de craquelage. Il s'agit d'un bruit normal, généralement produit par l'accumulation d'ions qui, lorsqu'ils sont déchargés, produisent le bruit d'éclatement ou de craquelage.

REMARQUE : Il est important de remplacer le filtre HEPA-Type aux intervalles recommandés.

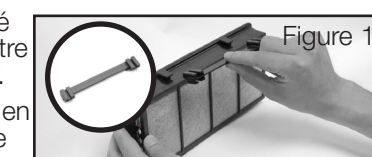
Si l'ioniseur est utilisé conjointement avec un filtre sale, les particules sales peuvent sortir du purificateur d'air et être attirées par les murs, les tapis, les meubles ou les autres articles dans la maison. Il se peut que ces particules sales soient très difficiles à enlever. La durée de vie utile du système de filtrage HEPA-Type peut être réduite dans une maison où il y a une grande quantité de squames animales, de poussière ou de fumée et ces particules peuvent nuire au processus d'ionisation. Vous pourriez donc choisir d'utiliser l'ioniseur moins souvent et de vérifier plus souvent l'état du/des filtre(s) HEPA-Type afin d'éviter que les particules soient attirées aux surfaces de la maison, tel que mentionné plus haut.

DIRECTIVES PRÉ-UTILISATION

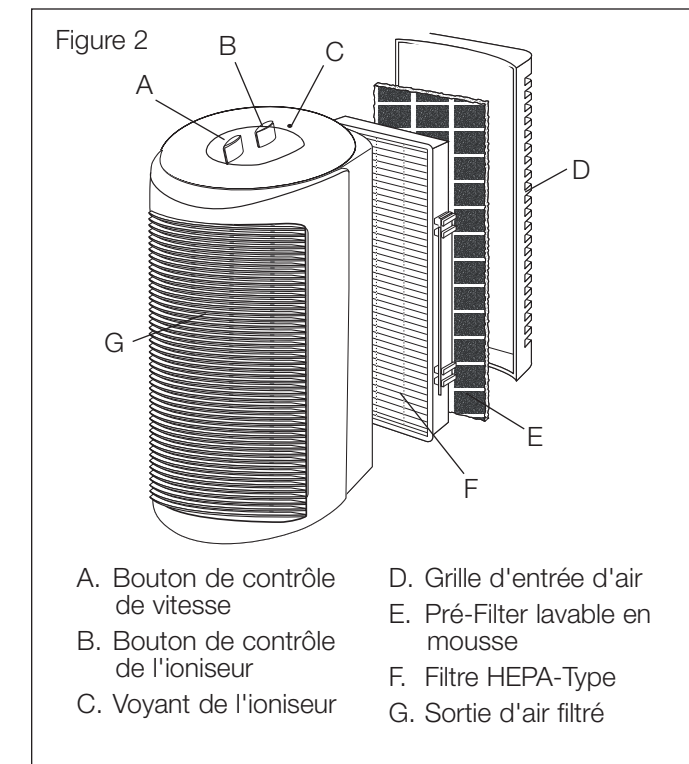
1. Déballez soigneusement votre purificateur d'air. Choisissez une surface plane et ferme où l'entrée d'air et la sortie d'air filtré ne sont pas obstruées. Dans une pièce, l'endroit idéal est à environ 1 pied du mur, dans un endroit central de la maison.
2. Enlevez la grille d'entrée d'air en tenant les pattes fournies à cet effet sur les côtés.
3. Retirez le filtre HEPA-Type en agrippant ses deux cotés et en le tirant vers l'avant.
4. Retirez la cartouche du filtre de son sachet protecteur en plastique.

5. Ceci modèle font appel à des languette d'accrochage et à des pinces à filtre. La pince ne peut s'attacher aux languettes du filtre que d'une seule façon. La pince du filtre doit se glisser aisément dans la languette avec peu de pression. NE PAS FORCER la pince à s'attacher à la languette. Alignez la pince au haut du filtre HEPA-Type en vous assurant que ses rails sont à l'intérieur du purificateur (voir la Fig. 1).

REMARQUE : le côté du joint flexible doit être orienté vers l'intérieur.



NE PAS POINTER L'APPAREIL VERS LE MUR.



DIRECTIVES D'USAGE

1. Branchez l'appareil dans une prise électrique de 120 V CA.
2. Choisissez la vitesse d'opération désirée. Les purificateurs d'air sont dotés de trois réglages de vitesse. Vous pouvez choisir HAUT (☞), MOYEN (☞) ou BAS (☞) en déplaçant le commutateur au réglage désiré.
3. Pour relâcher les ions négatifs dans l'air filtré, déplacez le commutateur de l'ioniseur à la position de marche (ON) (☞) et le voyant s'allumera.
4. Pour une filtration optimale de l'air, il est recommandé d'utiliser le purificateur continuellement. Son moteur robuste a été conçu pour des années d'usage.

Pour un usage continu, il est recommandé d'utiliser le purificateur d'air en réglage MOYEN (☞). Pour un fonctionnement plus silencieux ou l'usage dans une chambre à coucher, choisissez le réglage BAS (☞). Lorsqu'un haut niveau de pollution d'air est présent, choisissez le réglage ÉLEVÉ (☞) pour rapidement faire circuler et filtrer l'air de la pièce.

DIRECTIVES DE NETTOYAGE

- Éteignez et débranchez l'appareil avant le nettoyage.
1. L'extérieur du purificateur d'air peut être nettoyé avec un chiffon doux et humide.
 2. La grille d'entrée d'air peut être enlevée et lavée dans de l'eau chaude savonneuse (ne va pas au lave-vaisselle). Laissez-la sécher avant de la remettre dans l'appareil.
 3. La poussière accumulée sur la grille de sortie d'air peut être éliminée à l'aide d'une petite brosse douce.
- AVERTISSEMENT :** ne laissez pas l'humidité entrer en contact avec le boîtier principal du purificateur.

DIRECTIVES DE REMPLACEMENT DU FILTRE

1. À chaque période de quelques semaines, vérifiez la condition des filtres.
2. Retirez la grille d'entrée d'air. Retirez et examinez le pré-filtre en mousse. S'il a accumulé une quantité remarquable de poussière ou de fibres, retirez-le de la grille d'entrée et lavez-le à l'eau tempérée savonneuse. Rincez et laissez-le sécher par égouttage avant de le remettre dans la grille d'entrée.
3. Vérifiez la condition du filtre HEPA-Type Si le filtre est souillé, retirez la cartouche HEPA-Type usée et jetez-la convenablement. Ne tentez PAS de laver et de réutiliser le filtre HEPA-Type. Remettez en place un filtre HEPA-Type neuf en vous assurant de le retirer de son sachet protecteur en plastique avant de le mettre dans le purificateur d'air.

REMARQUE : le côté du joint flexible doit être orienté vers l'intérieur.

4. Durée du filtre – dans des conditions normales d'usage continu, le filtre HEPA-Type fonctionnera de façon efficace pendant 3 à 6 mois.

Vous pouvez vous procurer des filtres de rechange auprès de votre détaillant local ou en appelant le 1-800-253-2764.

Modèle de Purificateur d'air	Quantité de Filtres requise	No de filtre	Description du Filtre
BAP414-CN	1	BAPF30	HEPA-Type/Carbon

DÉPANNAGE	
Problème	Solution
L'appareil ne	Assurez-vous que l'appareil est bien branché. Assurez-vous que l'appareil est en marche en faisant glisser ou en tournant le commutateur en position de marche (ON).
Débit d'air réduit	Vérifier le filtre pour voir si c'est dans la bonne condition et s'il a besoin d'être changé. Assurez-vous que rien n'obstrue l'entrée d'air et la sortie d'air filtré.

Si vous avez des questions sur le produit ou que vous voulez en savoir plus sur d'autres produits Bionaire[®], veuillez vous adresser à notre Service client au 1-800-253-2764. Vous pouvez aussi vous rendre sur notre site Web, à www.bionaire.com.

GARANTIE LIMITÉE D'DEUX ANS

Sunbeam Products, Inc. faisant affaires sous le nom de Jarden Consumer Solutions ou, si au Canada, Sunbeam Corporation (Canada) Limited faisant affaires sous le nom de Jarden Consumer Solutions (collectivement « JCS ») garantit que pour une période d deux ans à partir de la date d'achat, ce produit sera exempt de défauts de pièces et de main-d'oeuvre. JCS, à sa discrétion, réparera ou remplacera ce produit ou tout composant du produit déclaré défectueux pendant la période de garantie. Le produit ou composant de remplacement sera soit neuf soit réusiné. Si le produit n'est plus disponible, il sera remplacé par un produit similaire de valeur égale ou supérieure. Il s'agit de votre garantie exclusive. N'essayez PAS de réparer ou d'ajuster toute fonction électrique ou mécanique de ce produit, cela annulera cette garantie.

Cette garantie est valide pour l'acheteur initial du produit à la date d'achat initiale et ne peut être transférée. Conservez votre facture d'achat originale. Les détaillants et les centres de service JCS ou les magasins de détail vendant les produits JCS n'ont pas le droit d'altérer, de modifier ou de changer de toute autre manière les termes et les conditions de cette garantie.

Cette garantie ne couvre pas l'usure normale des pièces ou les dommages résultant de toute cause suivante: utilisation négligente ou mauvaise utilisation du produit, utilisation d'un voltage ou d'un courant incorrects, utilisation contraire aux instructions d'utilisation, démontage, réparation ou altération par quiconque autre que JCS ou un centre de service autorisé de JCS. En outre, la garantie ne couvre pas: les catastrophes naturelles comme les feux, les inondations, les ouragans et les tornades.

Quelles sont les limites de la responsabilité de JCS?

JCS ne sera pas tenu responsable de tout dommage consécutif ou accessoire causé par la violation de toute garantie ou condition expresse, implicite ou réglementaire.

Sauf si cela est interdit par les lois en vigueur, toute garantie ou condition implicite de valeur marchande ou adéquate à un usage particulier est limitée en durée à la durée de la garantie énoncée ci-dessus.

JCS exclut toute autre garantie, condition ou représentation, expresse, implicite, réglementaire ou autre.

JCS ne sera pas tenu responsable de tout dommage de toute sorte résultant de l'achat, de l'usage ou du mauvais usage, ou de l'incapacité à utiliser le produit y compris les dommages ou les pertes de profits consécutifs, accessoires, particuliers ou similaires, ou pour toute violation de contrat, fondamentale ou autre, ou pour toute réclamation portée à l'encontre de l'acheteur par toute autre partie.

Certaines provinces, états ou juridictions ne permettent pas d'exclusion ou de limitation pour des dommages consécutifs ou accessoires ou de limitations sur la durée de la garantie implicite, de ce fait les limitations ou exclusions ci-dessus peuvent ne pas s'appliquer à votre cas.

Cette garantie vous donne des droits juridiques particuliers et vous pouvez également disposer d'autres droits pouvant varier d'une province à l'autre, d'un état à l'autre ou d'une juridiction à l'autre.

Comment obtenir le Service aux termes de la garantie Aux É.U.

Si vous avez des questions concernant cette garantie ou si vous souhaitez obtenir le service aux termes de la garantie, veuillez appeler au 1-800-253-2764 et l'adresse d'un centre de service approprié vous sera fournie.

Au Canada

Si vous avez des questions concernant cette garantie ou si vous souhaitez obtenir le service aux termes de la garantie, veuillez appeler au 1-800-253-2764 et l'adresse d'un centre de service approprié vous sera fournie.

Aux É.U., cette garantie est offerte par Sunbeam Products, Inc. faisant affaires sous le nom de Jarden Consumer Solutions, situé à Boca Raton, Floride 33431. Au Canada, cette garantie est offerte par Sunbeam Corporation (Canada) Limited faisant affaires sous le nom de Jarden Consumer Solutions, situé au 20 B Hereford Street, Brampton, Ontario L6Y 0M1. Pour tout autre problème ou réclamation en relation avec ce produit, veuillez écrire à notre département du Service à la clientèle.

VEUILLEZ NE PAS RETOURNER CE PRODUIT À AUCUNE DE CES ADRESSES OU À L'ÉTABLISSEMENT D'ACHAT.

© 2008 Sunbeam Products, Inc. faisant affaires sous le nom de Jarden Consumer Solutions. Tous droits réservés. Distribué par Sunbeam Products, Inc. faisant affaires sous le nom de Jarden Consumer Solutions, Boca Raton, Floride 33431.

Free Manuals Download Website

<http://myh66.com>

<http://usermanuals.us>

<http://www.somanuals.com>

<http://www.4manuals.cc>

<http://www.manual-lib.com>

<http://www.404manual.com>

<http://www.luxmanual.com>

<http://aubethermostatmanual.com>

Golf course search by state

<http://golfingnear.com>

Email search by domain

<http://emailbydomain.com>

Auto manuals search

<http://auto.somanuals.com>

TV manuals search

<http://tv.somanuals.com>