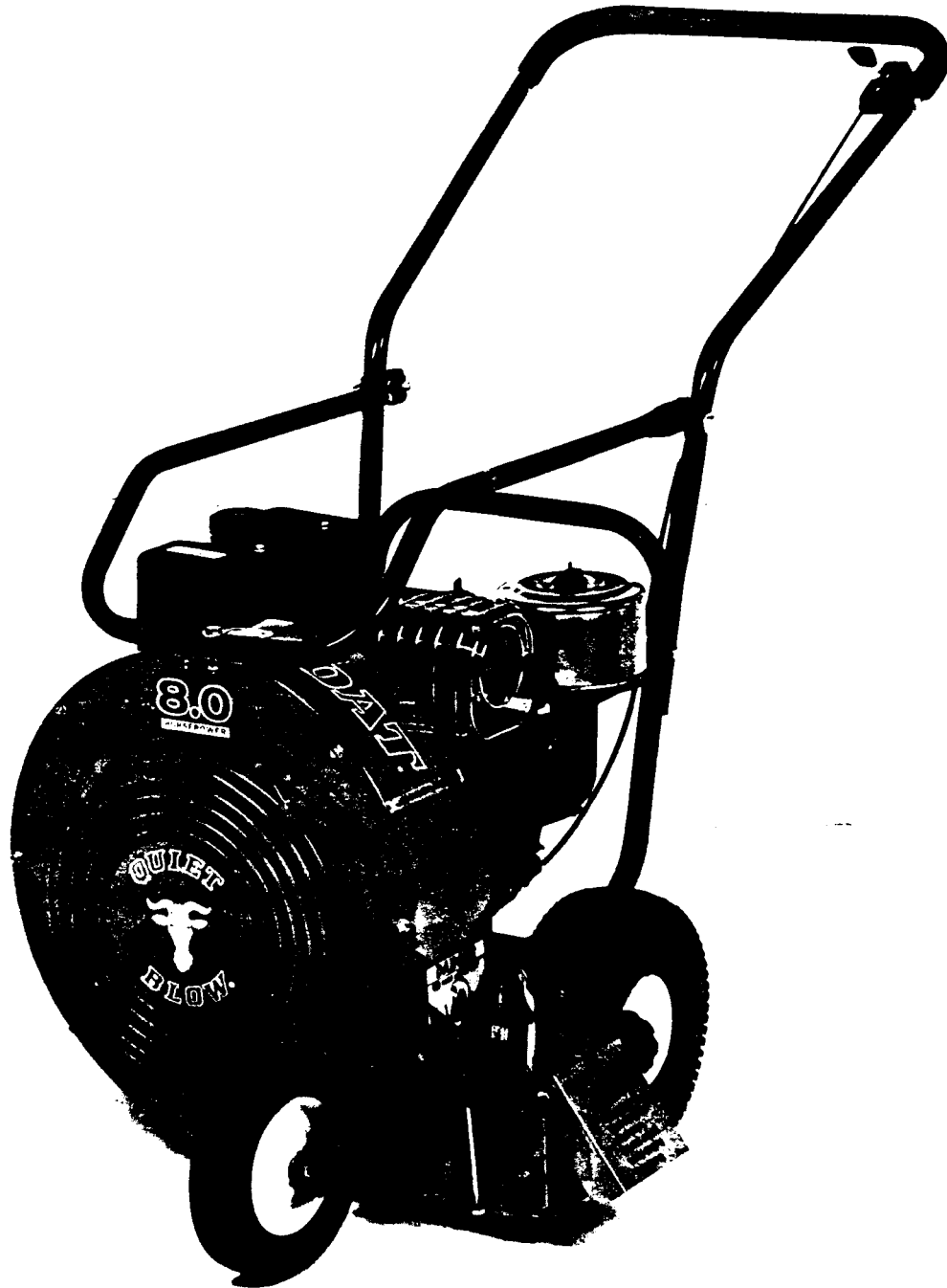


# Quiet Blow<sup>®</sup>

THE QUIET BLOWER FROM BILLY GOAT<sup>®</sup>



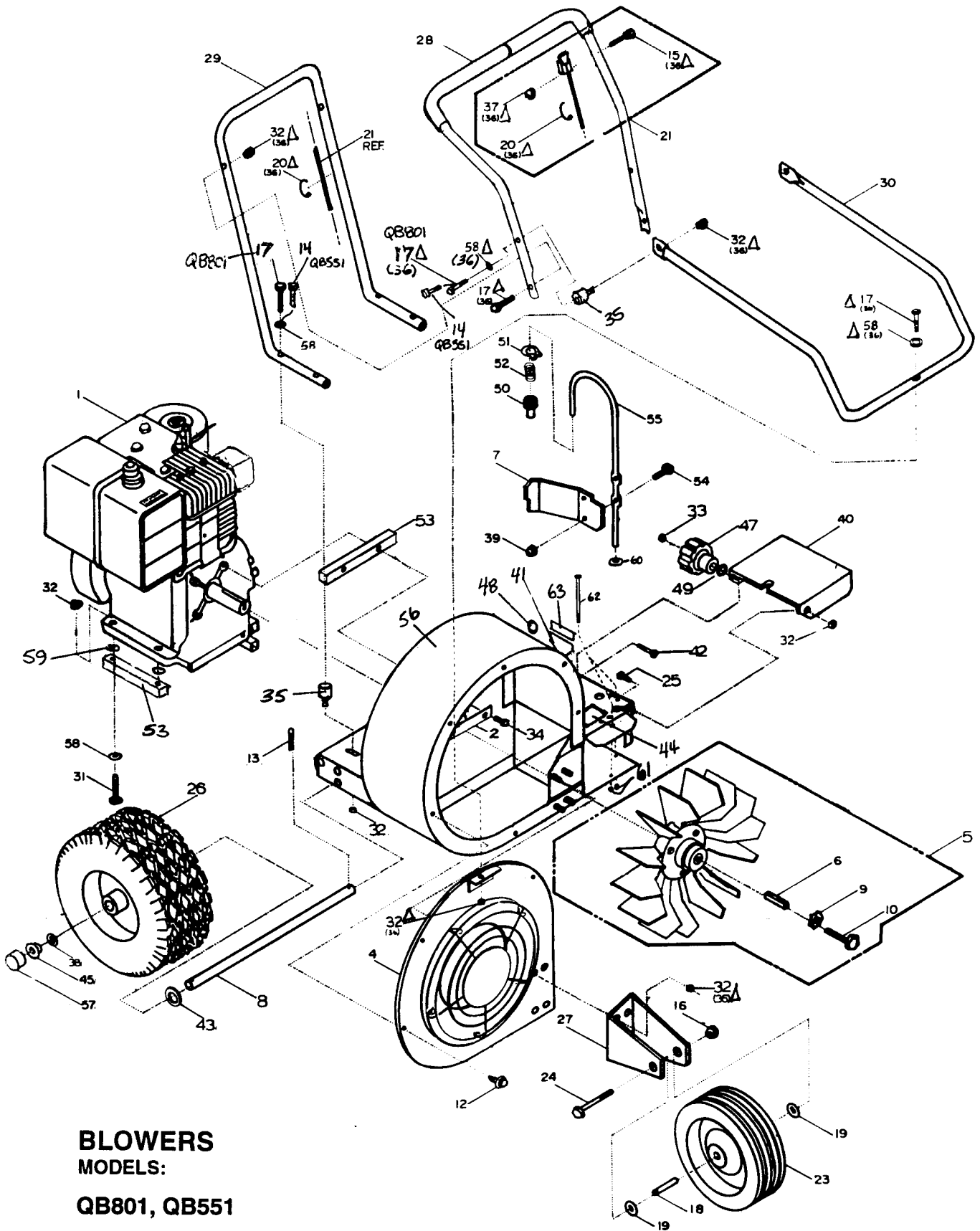
1803 S. Jefferson P.O. Box 308  
Lee's Summit, MO 64063  
(816) 524-9666 Fax (816) 524-6983

## OWNER'S MANUAL

Lawn and Garden Debris Blower

MODELS:

QB801, QB551



**BLOWERS**  
**MODELS:**  
**QB801, QB551**

ITEM NO.	DESCRIPTION	QB801	QTY	QB551 PART NO.	QTY
1	ENGINE - 8HP	800880A	-	-	-
	ENGINE 5HP BRIGGS	-	-	400220	1
2	LOCK CLIP 11HP	400591	1	-	-
	LOCK CLIP 5HP	-	-	400218	1
4	PLATE FRONT W.A. & GRILL	400599	1	400960	1
5	IMPELLER ASS'Y	400965	1	400966	1
6	KEY SQUARE 1/4 X 2 1/4	*9201123	1	*9201123	1
7	DIVERTER PLATE	400334	1	400334	1
8	AXLE	400571	1	400571	1
9	WASHER LOCK 7/16 TWISTED TOOTH	850132	1	-	-
	WASHER LOCK 3/8 TWISTED TOOTH	-	-	400502	1
10	SCREW CAP 7/16 - 20 X 1 1/4 HEX HD. GR. 5 (TORQUE 60 FT. LBS.)	800554	1	-	-
	SCREW CAP 3/8 - 24 X 1 HEX HD. GR. 5 (TORQUE 50 FT. LBS.)	-	-	900154	1
12	SCREW SHEET METAL 1/4 AB X 3/4 LG	*8122082	7	*8122082	7
13	PIN COTTER 1/8 X 1	*8197031	2	*8197031	2
14	SCREW CAP 5/16 - 18 x 1 1/4 (WITH VIB MOUNTS)	-	-	*8041029	6
15	SCREW CAP 1/4 - 20 X 1 3/4	*8041009	1	*8041009	1
16	NUT LOCK 3/8 - 16	*8160003	1	8160003	1
17	SCREW CAP 5/16 - 18 X 1 1/2	*8041030	9	*8084130	3
18	SPACER WHEEL	400302	1	400302	1
19	WASHER 1/2 SAE.	8172011	2	8172011	2
20	CLAMP CABLE 1"	900813	3	-	-
21	THROTTLE CONTROL ASSY (INCLUDES ITEMS 15, 37, 20)	400429	1	-	-
23	WHEEL FRONT	900816	1	900816	1
24	SCREW CAP (FRONT AXLE) 3/8 - 16 X 3"	*8041058	1	*8041058	1
25	SCREW CAP 5/16 - 18 X 3/4	*8011026	1	*8011026	1
26	WHEEL REAR	400295	2	400295	2
27	BRACKET (FRONT WHEEL)	400303	1	400303	1
28	HANDLE UPPER ASSY (INCLUDES GRIPS)	400957A	1	400957	1
29	HANDLE LOWER	400950	1	400950	1
30	HANDLE BRACE	400951	1	400951	1
31	SCREW CAP 5/16 - 18 X 1 3/4	*8041031	4	-	-
	SCREW CAP 5/16 - 18 X 2 3/4	-	-	8041035	4
32	NUT LOCK 5/16 - 18 HEX	*8160002	18	*8160002	18
33	NUT LOCK 5/16 - 18 THIN HT.	*8161041	1	*8161041	1
34	SCREW CAP 5/16 - 24 X 1 1/2	*8042030	2	-	-
	SCREW CAP 5/16 - 24 X 3/4	-	-	*8042026	2
35	VIBRATION MOUNT	-	-	400173	6
36	LOOSE PARTS ASS'Y QTY 32 (5), 58 (3), 15 (1), 37 (1), 20 (3), 17 (5)	400567A	1	400567	1
37	NUT LOCK 1/4 - 20 HEX	*8160001	1	-	-
38	WASHER (0.756 1.0 X 1.25 OD 0.06)	850238	2	805238	2
39	NUT LOCK # 10 - 24	*8164005	2	*8164005	2
40	DEFLECTOR	400333	1	400333	1
41	LABEL DANGER KEEP HANDS & FEET AWAY	400424	1	400424	1
42	BOLT CARRIAGE 5/16 - 18 X 1 3/4	*8024043	1	*8024043	1
43	WASHER FLAT 3/4 SAE. (3/16 X 1 1/2 X 1/8)	*8172015	2	*8172015	2
44	LABEL DANGER FLYING MATERIAL	810736	1	830736	1
45	WASHER 3/4 SAE. HUB CAP	850237	1	850237	1
47	KNOB	400339	1	400339	1
48	LABEL READ OWNER'S MANUAL	890301	1	890301	1
49	WASHER LOCK 5/16 EXT. TOOTH	*8180008	1	*8180008	1
50	SPACER	400330	1	400330	1
51	GRIP RING	400340	1	400430	1
52	SPRING COMPRESSION	400332	1	400332	1
53	SPACER	400370	1	400296	2
54	SCREW MACH. NO. 10 - 24 - X 5/8 HEX W.F.	*8059135	2	*8059135	2
55	ROD DIVERTER	400335	1	400335	1
56	FRAME ASS'Y (WITH LABELS)	400576	1	400576	1
57	HUB CAP	900486	2	900486	2
58	WASHER FLAT CUT 5/16 (3/8 ID X 7/8 OD X 1/16)	*8171003	11	*8171003	11
59	WASHER FLAT CUT 3/8	-	-	*8171004	4
60	WASHER SAE 3/8 (13/32 X 13/16 X 3/32)	*8172009	1	*8172009	1
61	NUT LOCK WASHER FACE 1/4 - 20	900455	2	900455	2
62	SCREW CAP 1/4 - 20 x 5 - 1/2 LG.	*8041021	2	*8041021	2
63	LABEL EAR EYE BREATHING	890254	1	890254	1

3D HARDWARE ITEM MAY BE PURCHASED LOCALLY  
PARTS BAG

## Free Manuals Download Website

<http://myh66.com>

<http://usermanuals.us>

<http://www.somanuals.com>

<http://www.4manuals.cc>

<http://www.manual-lib.com>

<http://www.404manual.com>

<http://www.luxmanual.com>

<http://aubethermostatmanual.com>

Golf course search by state

<http://golfingnear.com>

Email search by domain

<http://emailbydomain.com>

Auto manuals search

<http://auto.somanuals.com>

TV manuals search

<http://tv.somanuals.com>