



Bazooka

MARDI GRAS

PHAT
TUESDAY

MGA4150

4 CHANNEL AMPLIFIER

INSTALLATION MANUAL • MANUAL DE INSTALACION • MANUEL D'INSTALLATION

Dear customer,

Congratulations on your purchase of a Bazooka high-performance amplifier. At Bazooka, we are fanatics about accurate music reproduction. Your selection of our products for your sound system indicates that quality sound is also important to you too. At SAS, we take great pride in manufacturing revolutionary audio products, and through the years of engineering expertise, hand craftsmanship and critical testing procedures, we have created this high-performance series of amplifiers. We hope that you will take as much pride in owning and using one of these high-quality audio products as we do designing and manufacturing them.

When properly installed and operated, your Bazooka MGA amplifier will give you years of clean uninterrupted sound reproduction. Therefore, we urge you to take a few minutes to carefully read through this manual. It will explain all of the features of your amplifier and help insure trouble free installation.

Sound can be deceiving. Over time your hearing comfort level adapts to higher volumes of sound. What may have sounded normal can actually be too loud and harmful to your hearing. Guard against this by setting your equipment at a safe level before your hearing adapts.

To establish a "safe level",

- Start with your volume control at a low setting.
- Slowly increase the volume control until you can hear comfortably, clearly and without distortion.
- Once you have established a comfortable "sound level", make a note of this position and do not go above this setting

Taking a minute to do this will help prevent your hearing from being damaged and allow you to enjoy listening to music throughout your lifetime.

SAFETY PRECAUTIONS

Fuse amplifiers power wire at the battery.

Be sure to fuse the power wire within 6" of the car's battery. This will protect the car's battery in case of a short circuit between the power amplifier and battery. THIS IS A MUST, the amplifier's built-in fuse will only protect the power amplifier not the car's battery!

Use high grade wire connectors.

To ensure maximum power transfer and secure safe connections, it is recommended to use high grade barrier spades (for connection at amplifier if applicable) and terminal rings (for connection at battery).

Do not run any wires underneath vehicle.

Exposed wires have a chance of being cut or damaged. It is best to run all wires through the vehicle under the carpet and/or side panels. This leads to a cleaner installation and less risk of damage.

Use caution when mounting amplifier.

Remember there are many electrical wires, gas lines, vacuum lines, brake lines as well as a gas tank in the automobile. Make sure you know where they are when mounting the amplifier to avoid puncturing lines, shorting wires or drilling holes in the gas tank.

Run signal wires away from electrical wires.

To avoid possibility of induced noise from the car's electrical system (i.e. popping noises or engine noise), run wires away from the car's electrical wiring.

Make all ground wires as short as possible and at the same point.

In order to reduce the chance of ground loops (i.e. engine noise), make the grounding wire as short as possible to reduce the wire's resistance. Also, when using multiple components, make sure all units are grounded at the same point.

Avoid sharp edges when running the wires.

To avoid the possibility of power, signal or speaker shorts, be careful not to allow the amplifiers wires to come in contact with sharp edges. Use a grommet to protect the wire when running through the fire wall.

FEATURES AND BENEFITS

DC Offset Protection

This circuit protects the output of the amplifier against DC voltage. If for some reason DC voltage is detected at the output stage, the amplifier will shut down protecting the speakers from direct current.

Short Circuit Protection

This circuit protects the amplifier from damage due to a short found in the speakers or wiring. If one of the speakers or its wiring comes in contact with ground, the amplifier will shut down. To resume normal operation, correct the problem and turn the head unit off, then back on. The amplifier will reset and play again.

Thermal Protection

To protect the amplifier circuitry against damage caused by prolonged exposure to high temperatures, a thermal protection circuit is activated if the amplifier reaches excessively high operating temperature. Once the thermal circuit is activated, the amplifier will shut down to cool off. The amplifier will automatically turn back on once it cools down to a safe operating temperature.

Built-in Crossover

The "MGA" amplifiers include a built-in variable high and low pass crossovers. The crossover features a variable frequency selection (55Hz ~ 6kHz) for precise high or low pass filtering.

Bass Boost

For added low frequency performance the amplifiers include a variable 0 ~16dB bass boost.

Power Fusing

This protects the amplifier against short circuits and excessive current.

Remote Turn-on

Automatically turns amplifier on when connected to the head unit's remote output. The amplifier will turn on and off with the head unit to save current consumption. This control also operates the reset circuit for the amplifier's protection. It must be connected with the head unit in order to reset protection circuits.

Adjustable Input Sensitivity

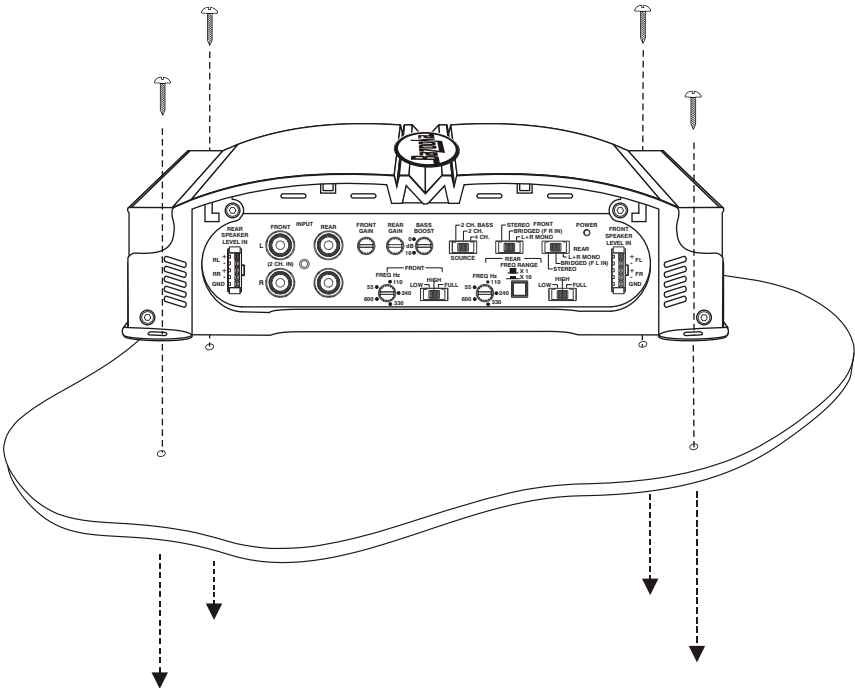
Allows you to fine-tune the level matching between your source and the power amplifier.



MOUNTING LOCATION

Before you start the installation, it will be necessary to find a mounting location for the amplifier. Find a location in which the amplifier will receive adequate ventilation in order to dissipate the heat it develops during operation. Two popular mounting locations are in the trunk or under the seat.

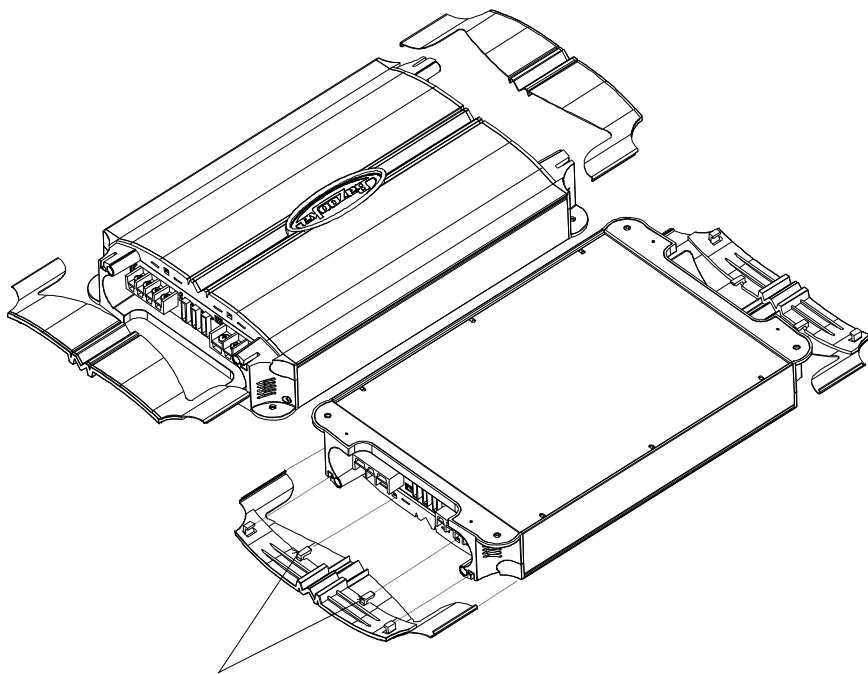
Select the location in which you wish to mount the amplifier. Use caution when mounting amplifier, there are many wires, gas lines, vacuum lines, brake lines as well as a gas tank in the automobile. Make sure you know where they are when mounting the amplifier to avoid puncturing lines, shorting wires or drilling holes in the gas tank. Once you are ready, use a pencil to mark the mounting holes in the bottom panel. After you have marked the locations of the holes move amplifier out of the way and drill small starter holes to make the tapping screws easier to install. Use provided screws to tighten down the amplifier.



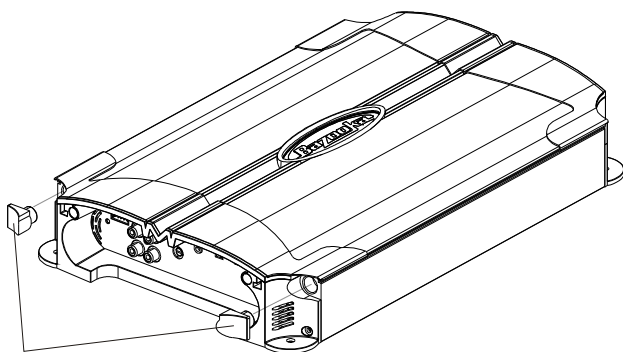
ENGLISH

CONNECTIONS

ENGLISH

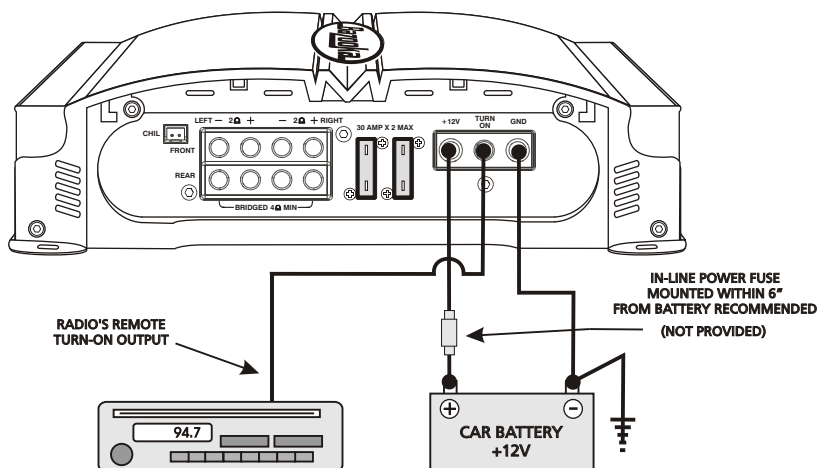


Panels slide off to make connections easier.
Be sure not to break plastic locking tabs!



Rubber plugs can be removed to reveal
channels for C.H.I.L. water cooling kit!
Removing these plugs makes panel removal
easier.

POWER CONNECTIONS



IMPORTANT! Before making any connections, disconnect the car's battery until the installation is completed to avoid possible damage to the electrical system.

Connect the amplifier to the car's battery.

Make your power connections using a 4 gauge power wire for your connections. Strip one end of the wire to connect to the terminal on the amplifier marked "+12V". Loosen screw terminal and connect bare wire and tighten. Use caution to make sure no stray wire strands come in contact with surrounding terminals causing short circuits. Run the wire directly to the positive terminal of the car's battery. Make sure to use an in-line fuse within 6" of the car's battery to protect the electrical system and amplifier against short circuits and/or power surges.

Connect the ground terminal of the amplifier to the car's chassis.

For the ground connection, use an 4 gauge wire (black) to connect to the terminal marked GND and then connect it to the car's chassis. Try to keep the length of the cable as short as possible, preferably less than 6". Also make sure that the point on the car where the connection is to be made is free of paint and dirt.

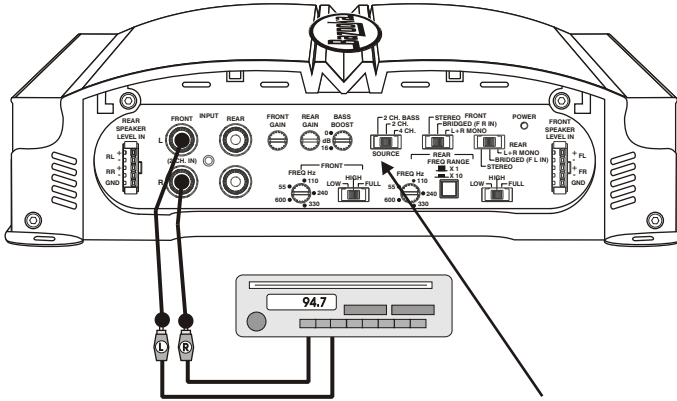
Connect the remote terminal of the amplifier to a switchable +12V source.

This connection allows the amplifier to be turned on and off with the power control of the radio. If the radio has a REMOTE output terminal, connect it to the amplifier's terminal marked "TURN-ON" (using a 16 gauge wire or heavier). Now when the radio is turned on, the amplifier will automatically turn on.

SIGNAL CONNECTIONS

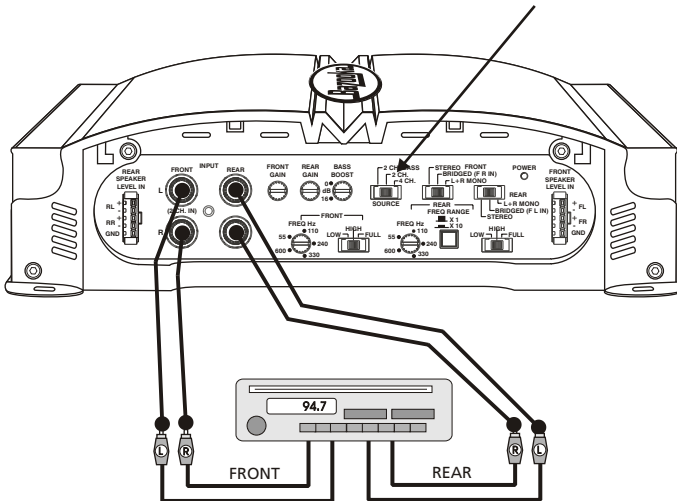
Connect the RCA output of the head unit (AM/FM cassette player, CD, or DAT) to the RCA input terminals of the amplifier.

To make these connections, we recommend high quality RCA cables, which are available at your local car audio retailer. Run signal wires away from electrical wires to avoid possibility of induced noise from the car's electrical system (i.e. popping noises or engine noise). Please note that when making these connections the signal inputs correspond with the speaker outputs.



TWO CHANNEL INPUT

PLEASE SEE INPUT CONFIGURATION SETTINGS ON PAGE 10



FOUR CHANNEL INPUT

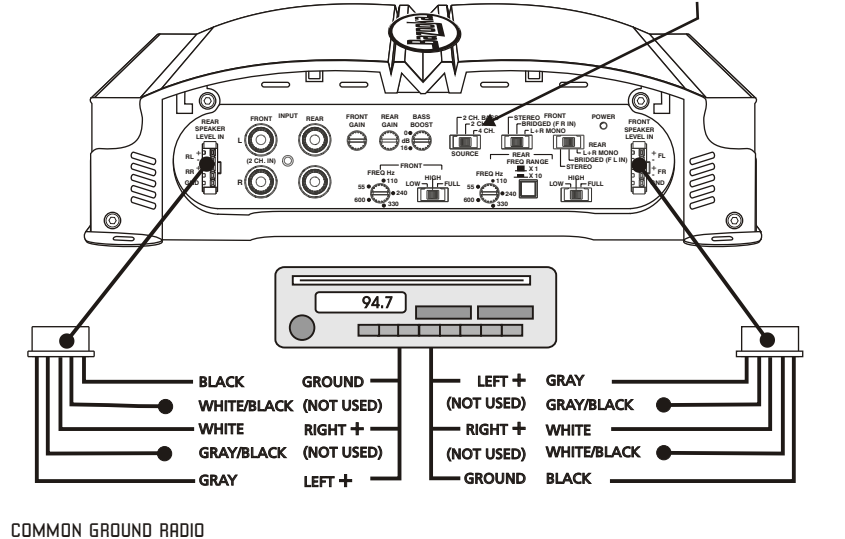
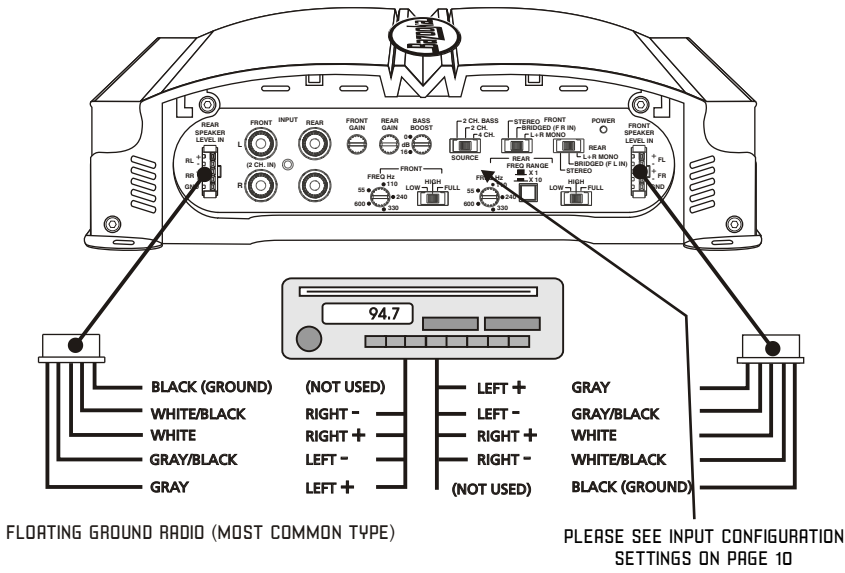
HIGH LEVEL CONNECTIONS (OPTIONAL)

High Level inputs have been included to connect the amplifier to a radio without low-level outputs (i.e. factory radio). This connection will allow you to connect directly to the speaker output of the radio with out the need of an external adapter.

Determine the type of radio you have and make one of the following connections.

CAUTION! Before making any connections determine the type of radio to avoid possible damage to amplifier and/or radio.

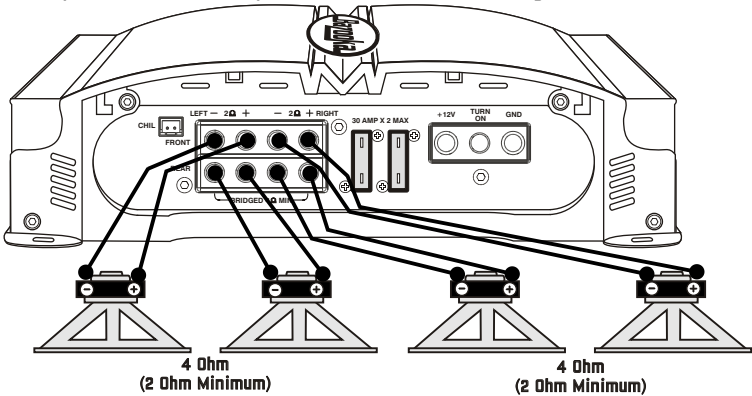
ENGLISH



SPEAKER CONNECTIONS

Make the speaker connections using speaker wire that is at least 16 gauge or heavier.

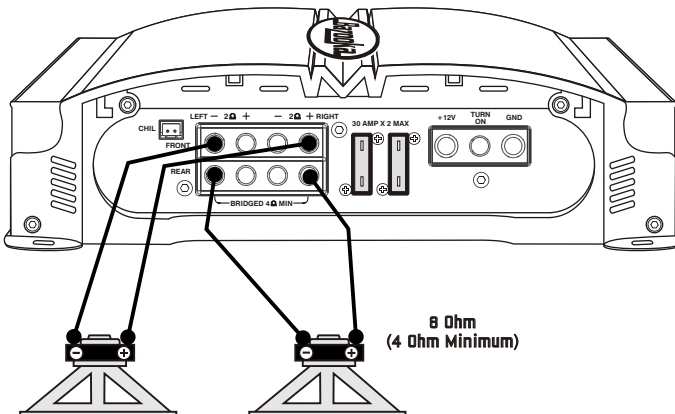
As with any audio component, proper phasing of the amplifier and speakers is essential for strong bass response. When connecting, make sure that positive (+) from the amplifier is connected to the positive (+) of the speaker, and the same for negative (-).



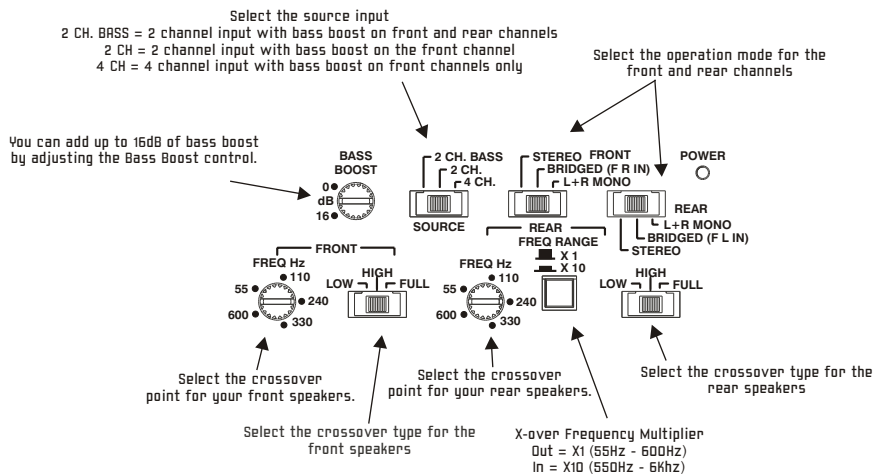
SPEAKER CONNECTIONS (BRIDGED)

The MGA amplifiers are capable of being bridged in a mono configuration. This feature allows you the flexibility of using the amplifier to drive a ** subwoofer or a center channel. In this configuration the amplifier sums the right and left channel to deliver one channel (mono) output.

****CAUTION!** In the bridged mode, the amplifier must see the recommended minimum impedance or higher. Any lower than the recommended minimum impedance will cause the amplifier to overheat and possibly cause permanent damage to the amplifier!

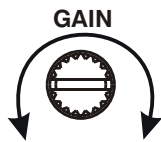


ADJUSTING THE X-OVER AND BASS



FINE TUNE THE SYSTEM

Fine tune the amplifier's input sensitivity.



The gain sensitivity control for the "MGA" amplifier is located on the side panel. This gain control has been included to allow adjustment to properly match the output of the radio. This is one of the most misunderstood adjustments. By rotating the control in the clockwise direction, the amplifier's input will become more sensitive and the music will play louder. This is not a volume control and you will not get more power out of the amplifier in the maximum position! It may seem to deliver more output, but actually the system is only playing louder faster as you turn the volume control on the radio. Ideally, to properly level match the system the goal is to achieve maximum output from the amplifier without distortion at about 3/4 of the volume control.

To determine if the amplifier's gain is set properly, turn the system on and slowly increase the volume control. You should be able to use about 3/4 volume before the system gets loud but not distorting. It is very important when making these adjustments that you do not over drive the speakers (at point of distortion) this will cause permanent damage to the speakers. If you are unable to achieve 3/4 volume before distortion you will need to adjust gain control (in this case you would reduce the gain). The gain controls should be adjusted very slowly. It may help to have another person to assist you by adjusting the gain controls while you listen for distortion.

TROUBLE SHOOTING THE SYSTEM

We have put together this trouble-shooting guide if you experience problems after installing the amplifier. Please keep in mind that the majority of problems incurred are caused by improper installation and not the equipment itself. In addition, there are many components in the system that could cause various signal problems such as inducted electrical noise and engine noise.

Before you can properly address the problem, you must first find the component that is causing the problem. This will take patience and a process of elimination.

LOOK FOR....	SOLUTION
No Output	
Blown fuse	Replace
Bad RCA Cable(s)	Replace
+12V at power terminal	Check connection
+12V at remote terminal	Check connection
Grounding point clean and tight	Check for ground w/meter
Head Unit's fader not in center position	Set to center position
Low Output	
Check level adjustments	Re-adjust
Bad RCA cable(s)	Replace
Improper level matching	Re-adjust
Engine Noise	
Grounding points are clean and tight	Check for ground w/meter
Ground all components at same point	Ground at same point
Try different grounding point	Change for better ground
Bad RCA cable(s)	Replace
Use High Quality shielded RCA cables	Rejects inducted noise
Low Vehicle charging system and/or battery	Fix and/or replace
Protection L.E.D. Illuminated	
Speaker short	Check speakers connection for short circuit
Speaker grounding out	Make sure speaker wires do not touch chassis ground
Impedance too low	Check speaker impedance (Min 2 ohm Stereo, 4 Mono)
Overheating	Check mounting location for Adequate air Circulation
	Speaker impedance too low

SPECIFICATIONS

M6R4150

Output Power @ 14.4 VDC :	
4 ohm.....	100W x 4
2 ohm.....	50W x 4
Bridged 4 Ohm.....	270W x 2
Frequency Response	10Hz- 20KHz
S/N Ratio (A-weight)	<100dB
THD (A-weight)	0.30%
Low Input Level	250mV-6V
Hi Input Level	400mV-12V
Battery Voltage Range	10.5VDC-15VDC
Crossover Type	HP/FULL/LP
Crossover Freq. Range (X1).....	55Hz-600Hz
Crossover Freq. Range (X10).....	550Hz-6kHz
Crossover Slope	12dB/Oct
Bass EQ Boost	0 -16dB
Fuse	30A x 2

Due to continuing product improvement, specifications subject to change without notice.

ENGLISH



LIMITED WARRANTY

Southern Audio Services, Inc., warrants all products to be free from defects in material and workmanship for a period of one (1) year from the date of purchase. In the event the product is not as warranted, SAS' sole obligation shall be to repair or replace the defective product at SAS' option: SAS limits its obligation under any implied warranties under state laws to a period not to exceed the limited warranty period. SAS and its authorized BAZOOKA® dealers specifically disclaim liability for any incidental or consequential damages. Some states do not allow limitations on how long an implied warranty lasts, and some states do not allow the exclusion or limitation of incidental or consequential damages, so the above limitation or exclusions may not apply to you. This warranty gives you specific legal rights, and you may have other rights, which vary from state to state.

What is covered: This warranty covers all defects in materials or workmanship (parts and labor) in the product.

What is not covered: This warranty does not cover the following:

1. Damages occurring during shipment of the product to SAS for repair (Claims must be presented to the carrier).
2. Damages caused by accident, abuse, negligence, misuse or improper Operation or installation.
3. Damages caused by an act of God, including without limitation, fire, flood Storm or other acts of nature.
4. Any product, which has a serial number, defaced, altered, modified, or removed.
5. Any product that has been altered or modified without SAS' consent.



How to obtain warranty services:

1. You are responsible for delivery of the product to an authorized BAZOOKA® dealer or contact SAS at 1-800-THE TUBE for a Return Authorization number. The Return Authorization number must be clearly written on the outside of the box. Freight must be prepaid to SAS. Warranty replacement parts will be returned freight prepaid. The entire enclosure may be returned for warranty service, but return will be freight collect.
2. You must provide proof of the date of purchase of the product. If proof of purchase is not provided, original date of manufacture will be used to determine warranty period.
3. You must package the product securely to avoid damage during shipment.
4. After acquiring a Return Authorization number, ship to the address below. Please complete this section and retain for your records.

Model(s) purchased _____

Serial number(s) _____

Date Purchased _____

Dealer's name _____

Chère cliente, Cher client,

Félicitations! Vous venez d'acquérir un amplificateur haute-performance de la marque Bazooka. Chez Bazooka, nous attachons une grande importance à la reproduction musicale de précision. Le fait que vous ayez choisi nos produits pour votre chaîne audiophonique indique que, pour vous aussi, la qualité sonore a de l'importance. Chez SAS, nous sommes fiers de fabriquer des produits audio révolutionnaires et nos nombreuses années d'expertise en ingénierie, notre savoir-faire artisanal et nos procédures de test critiques nous ont permis de créer cette gamme d'amplificateurs haute-performance. Nous espérons que vous serez aussi fiers de posséder et d'utiliser un de ces produits audio de haute qualité que nous le sommes de les avoir conçus et fabriqués.

Bien installé et utilisé, votre amplificateur Bazooka MGA vous offrira des années de reproduction sonore nette ininterrompue. C'est pourquoi nous vous recommandons vivement de consacrer quelques minutes à la lecture approfondie de ce manuel. Il vous détaillera toutes les caractéristiques de votre amplificateur et vous aidera à l'installer sans incident.

Le son peut être trompeur. Avec le temps, votre confort auditif s'adapte à des volumes sonores plus élevés. Ce qui a pu vous paraître normal peut être en réalité trop fort et dangereux pour votre audition. Protégez-vous contre cela en réglant votre équipement audio à un niveau sûr avant que votre oreille ne s'adapte.

Pour établir un «niveau sûr»,

- Commencez en réglant votre commande de volume sonore sur un réglage bas.
- Augmentez doucement le volume jusqu'à ce que vous puissiez entendre le son confortablement, clairement et sans distorsion sonore.
- Une fois que vous avez établi un «niveau sonore» confortable, notez cette position et ne dépassez pas ce niveau

Prendre une minute pour faire cela vous aidera à éviter d'endommager votre capacité auditive et vous permettra d'avoir le plaisir d'écouter de la musique tout au long de votre vie.

MESURES DE SÉCURITÉ

Installez des fusibles sur le câble d'alimentation des amplificateurs au niveau de la batterie.

Assurez-vous d'installer des fusibles sur le câble d'alimentation à environ 12 pouces (30 cm) de la batterie du véhicule. Cela protégera la batterie du véhicule en cas de court-circuit entre l'amplificateur de puissance et la batterie. CELA EST IMPÉRATIF. Le fusible intégré de l'amplificateur ne protégera que l'amplificateur de puissance, pas la batterie du véhicule!

Utilisez des connecteurs de fil de catégorie supérieure.

Afin d'assurer un transfert de puissance maximum et des connexions sûres et sécurisées, il est recommandé d'utiliser des cosses à fourche (à connecter sur l'amplificateur si possible) et des cosses à œil (à connecter sur la batterie) de catégorie supérieure.

Ne faites pas passer de câbles sous le véhicule.

Les câbles exposés courent le risque d'être coupés ou endommagés. Il est préférable de faire passer les câbles dans le véhicule sous les tapis et/ou les parois latérales. Cela conduit à une installation plus propre et réduit le risque d'endommagement.

Soyez prudent lors du montage de l'amplificateur.

N'oubliez pas qu'une automobile se compose de nombreux câbles électriques, de conduites de carburant, de tuyauteries à dépression, de tuyauteries de frein ainsi que d'un réservoir d'essence. Assurez-vous de connaître leur emplacement lorsque vous monterez l'amplificateur afin d'éviter de crever des conduites, de couper des câbles ou de percer le réservoir d'essence.

Écartez les fils de transmission de signaux des câbles électriques.

Pour éviter toute possibilité de bruit induit provenant du système électrique du véhicule (à savoir, des craquements ou des bruits de moteur), éloignez les câbles du câblage électrique du véhicule.

Assurez-vous que les fils de masse sont aussi courts que possible et reliés au même point.

Afin de réduire les risques de boucle de masse (à savoir, bruit de moteur), assurez-vous que le fil de masse est aussi court que possible pour réduire la résistance du fil. De même, si vous utilisez plusieurs composants, assurez-vous que toutes les unités sont reliées à la terre en un même point.

Évitez les arêtes vives lorsque vous tirez les câbles.

Afin d'écartier la possibilité de coupure de courant, de signal ou de haut-parleurs, prenez soin de ne pas laisser les câbles des amplificateurs entrer en contact avec des arêtes vives. Utilisez un anneau pour protéger le câble lorsqu'il traverse la cloison pare-feu.

FONCTIONS ET AVANTAGES

Protection contre la tension continue

Ce circuit protège la sortie de l'amplificateur contre la tension continue. Si, pour quelque raison que ce soit, une tension continue est détectée au niveau de la sortie, l'amplificateur se ferme, protégeant les haut-parleurs du courant direct.

Protection de court-circuit

Ce circuit protège l'amplificateur des dommages dus à un court-circuit au niveau des haut-parleurs ou du câblage. Si un des haut-parleurs ou son câblage entrait en contact avec la masse, l'amplificateur se mettrait à l'arrêt. Pour reprendre un fonctionnement normal, veuillez corriger le problème et éteindre l'unité principale, puis la rallumer. L'amplificateur se réinitialisera et se remettra en mode de lecture.

Protection thermique

Pour protéger les circuits de l'amplificateur contre les dommages causés par une exposition prolongée à des températures élevées, un circuit de protection thermique est activé si l'amplificateur atteint une température de fonctionnement excessivement élevée. Une fois le circuit thermique activé, l'amplificateur s'arrêtera pour refroidir. L'amplificateur se rallumera automatiquement lorsqu'il aura de nouveau atteint une température de fonctionnement sûre.

Filtre intégré

Les amplificateurs «MGA» sont dotés de filtres variables passe-bas et passe-haut** intégrés. Ce filtre est doté d'une sélection de fréquence variable (55 Hz ~ 6 kHz) pour un filtrage passe-bas ou passe-haut précis.

Intensification des basses

Pour une meilleure performance basses fréquences, les amplificateurs incluent une intensification des basses variable de 0 ~ 16 dB

Fusibles de ligne

Ils protègent l'amplificateur contre les courts-circuits et le courant excessif.

Mise en route à distance

Met l'amplificateur en route automatiquement lorsqu'il est connecté à la sortie distante de l'unité principale. L'amplificateur s'allumera et s'éteindra avec l'unité principale afin de réduire la consommation de courant. Cette commande actionne également la réinitialisation du circuit pour la protection de l'amplificateur. Il doit être connecté sur l'unité principale afin de réinitialiser les circuits de protection.

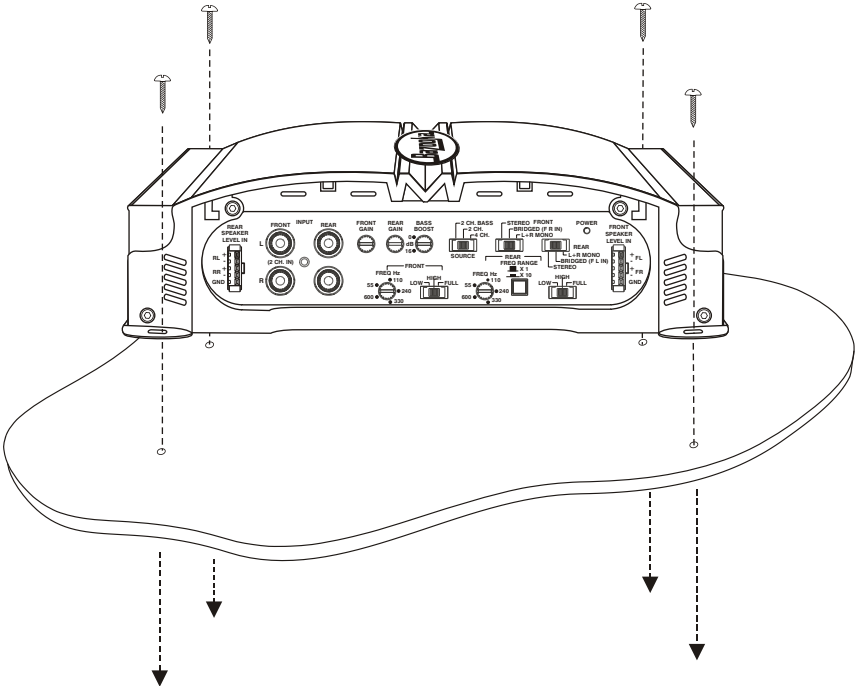
Sensibilité d'entrée réglable

Vous permet de régler le niveau adapté entre votre source et l'amplificateur de puissance.

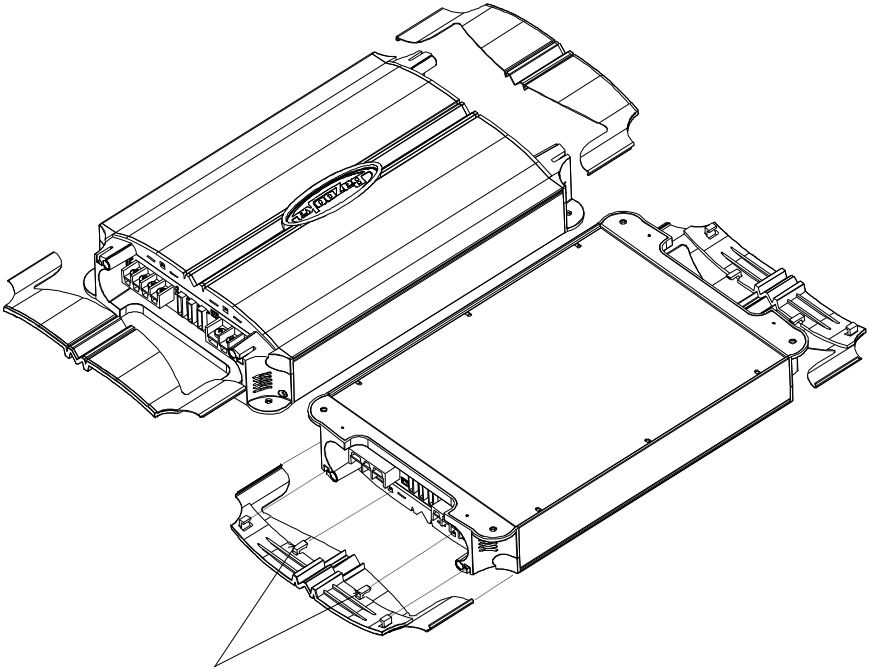
EMPLACEMENT DE MONTAGE

Avant de commencer l'installation, il sera nécessaire de trouver un emplacement de montage pour l'amplificateur. Choisissez un endroit où l'amplificateur bénéficiera d'une ventilation adéquate afin de dissiper la chaleur qu'il émet pendant son fonctionnement. Les amplificateurs sont très couramment installés dans le coffre ou sous le siège.

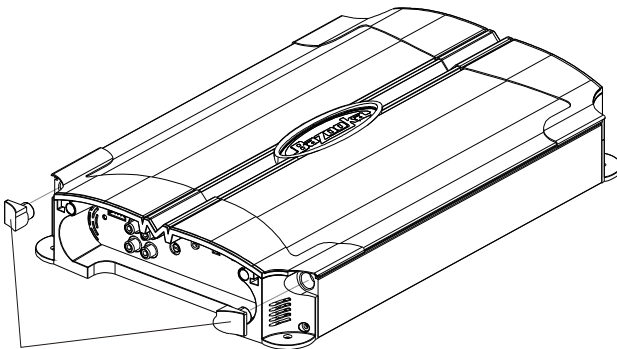
Choisissez l'endroit où vous voulez monter l'amplificateur. Soyez prudent lors du montage, une automobile se compose de nombreux câbles électriques, de conduites de carburant, de tuyauteries à dépression, de tuyauteries de frein ainsi que d'un réservoir d'essence. Assurez-vous de connaître leur emplacement lorsque vous monterez l'amplificateur afin d'éviter de crever des conduites, de couper des câbles ou de percer le réservoir d'essence. Une fois que vous êtes prêt, utilisez un stylo pour marquer les trous de fixation sur le panneau de dessous. Une fois les emplacements des trous marqués, décalez l'amplificateur et percez de petits trous d'amorce pour faciliter l'insertion des vis autotaraudeuses. Utilisez les vis fournies pour installer l'amplificateur.



FRANÇAIS

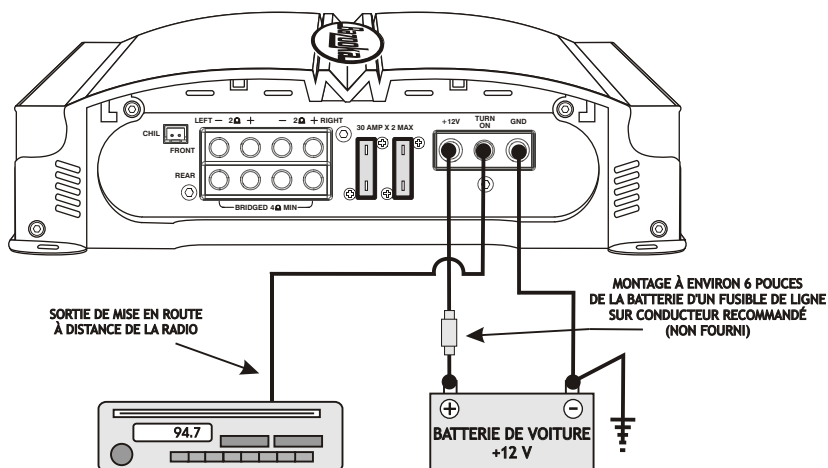


Les panneaux s'enlèvent latéralement pour faciliter les branchements. Assurez-vous de ne pas casser les languettes de blocage en plastique!



Les bouchons en caoutchouc peuvent être retirés afin de mettre à jour les canaux pour la trousse de refroidissement par eau Chili!

RACCORDS D'ALIMENTATION



IMPORTANT! Avant d'effectuer tout raccord, déconnecter la batterie du véhicule jusqu'à ce que l'installation soit terminée afin d'éviter tout endommagement possible du système

Connectez l'amplificateur à la batterie du véhicule.

Effectuez vos raccords d'alimentation en utilisant un fil d'alimentation de calibre 4. Dénudez une extrémité du fil pour la connecter à la borne sur l'amplificateur marquée «+12 V». Desserrez la borne à vis, connectez le fil dénudé puis serrez. Soyez prudent afin de vous assurer qu'aucun fil électrique égaré n'entre en contact avec les bornes environnantes ce qui entraînerait des courts-circuits. Reliez ce fil directement à la borne positive de la batterie du véhicule. Assurez-vous d'utiliser un fusible monté sur conducteur à une distance d'environ 6 pouces de la batterie du véhicule afin de protéger le système électrique et l'amplificateur contre les courts-circuits et/ou les montées en puissance.

Connectez la prise de terre de l'amplificateur sur le châssis du véhicule.

Pour la connexion de masse, utilisez un fil de calibre 4 (noir) pour relier la borne marquée GND puis connectez-le au châssis du véhicule. Faites en sorte que ce câble soit aussi court que possible, de préférence moins de 6 pouces. Assurez-vous également que le point de connexion sur le véhicule ne comporte ni peinture, ni salissures.

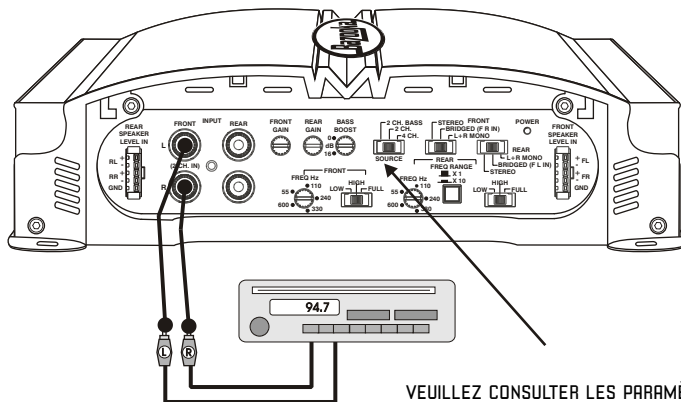
Connectez la borne distante de l'amplificateur à une source +12 V commutable.

Cette connexion permet d'activer et de désactiver l'amplificateur via la commande de puissance de la radio. Si la radio est dotée d'une borne de sortie DISTANTE, connectez-la à la borne de l'amplificateur marquée «TURN-ON»(en utilisant un câble de calibre 16 ou plus). Désormais, l'amplificateur s'allumera automatiquement lorsque la radio sera allumée.

RACCORDEMENT DES TRANSMISSIONS

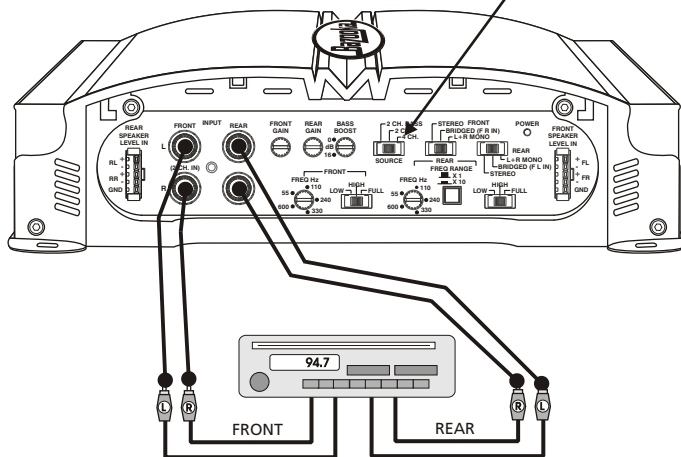
Connectez la sortie RCA de l'unité principale (lecteur cassette AM/FM, CD ou DAT) sur les bornes d'entrée RCA de l'amplificateur.

Pour réaliser ces connexions, nous recommandons l'utilisation de câbles RCA de haute qualité, que vous pourrez vous procurer auprès de votre revendeur de matériel audio pour véhicules. Pour éviter toute possibilité de bruit induit du système électrique du véhicule (à savoir, des craquements ou des bruits de moteur), éloignez les fils de transmission de signaux du câblage électrique du véhicule. Veuillez noter que, lorsque vous réalisez ces connexions, les entrées de signaux correspondent aux sorties des haut-parleurs.



ENTRÉE DEUX CANAUX

VEUILLEZ CONSULTER LES PARAMÈTRES DE CONFIGURATION DES ENTRÉES À LA PAGE 24



ENTRÉE QUATRE CANAUX

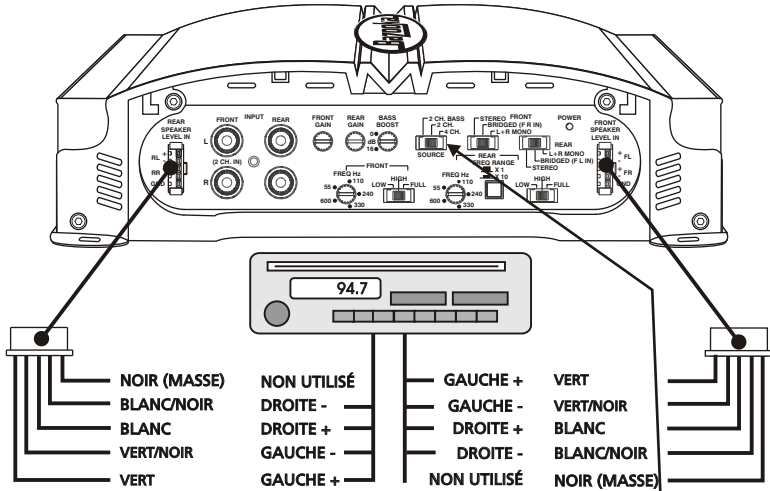


CONNEXIONS DE NIVEAU ÉLEVÉ (OPTIONNELLES)

Des entrées de niveau élevé ont été incluses pour connecter l'amplificateur à une radio sans sorties de niveau bas (à savoir, radio d'origine). Cette connexion vous permettra de vous connecter directement sur la sortie du haut-parleur de la radio sans devoir recourir à un adaptateur externe.

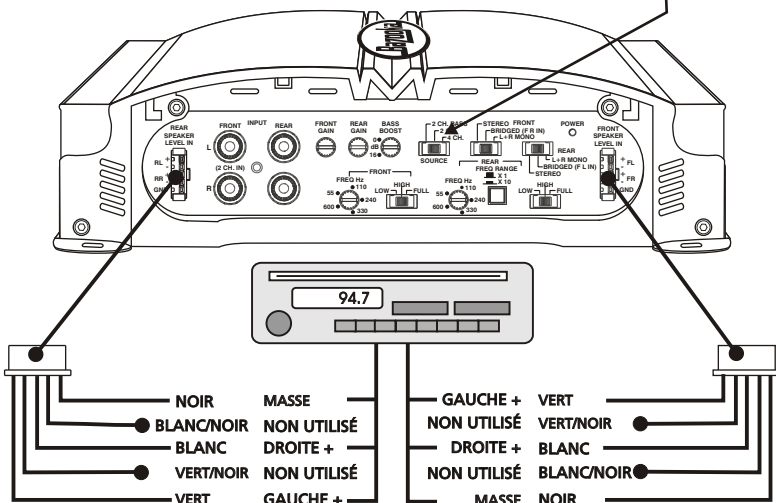
Déterminez le type de radio dont vous disposez et effectuez l'un des branchements suivants.

ATTENTION! Déterminez le type de radio avant d'effectuer tout branchement afin d'éviter tout endommagement possible de l'amplificateur et/ou de la radio.



RADIO À MASSE COMMUNE

VEUILLEZ CONSULTER LES PARAMÈTRES DE CONFIGURATION DES ENTRÉES À LA PAGE 24

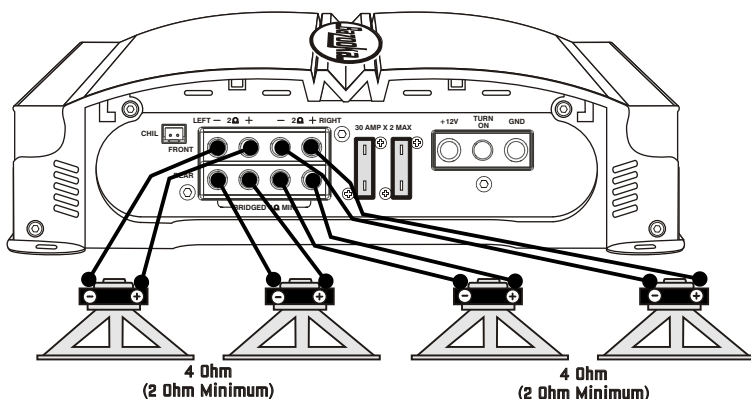


RADIO EN CIRCUIT COMMUN ISOLÉ DE LA MASSE (TYPE LE PLUS COURANT)

RACCORDEMENTS DES HAUT-PARLEURS

Effectuez les raccordements des haut-parleurs à l'aide d'un câble de haut-parleur d'un calibre supérieur ou égal à 16.

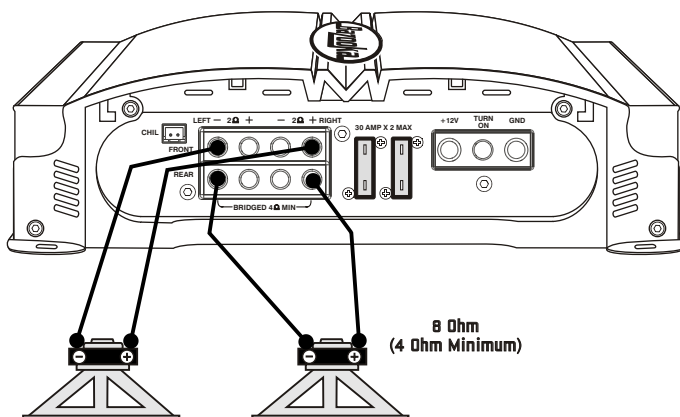
Comme pour tout composant audio, une synchronisation correcte de l'amplificateur et des haut-parleurs est essentielle pour une bonne restitution des basses. Au moment de la connexion, assurez-vous que la borne positive (+) de l'amplificateur est reliée à la borne positive (+) du haut-parleur et réciproquement pour les bornes négatives (-).



CONNEXIONS DES HAUT-PARLEURS (EN DÉRIVATION)

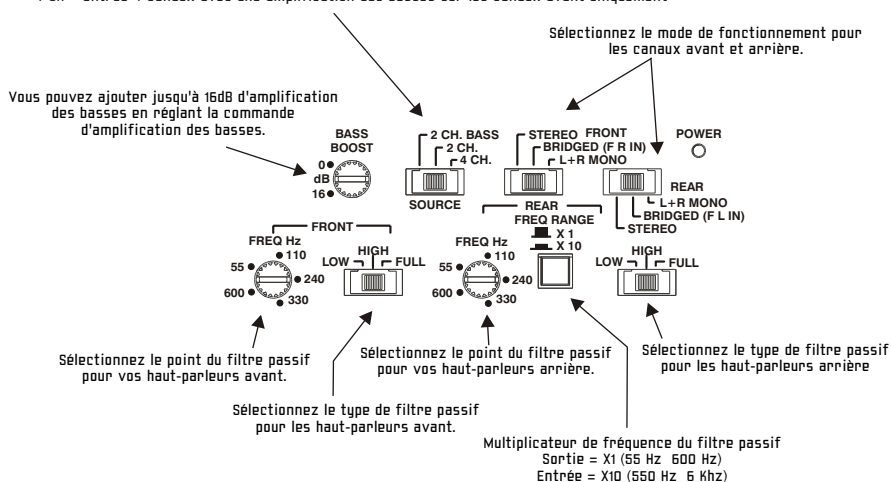
Les amplificateurs MGA peuvent être mis en dérivation dans une configuration mono. Cette fonction vous offre la flexibilité d'utiliser l'amplificateur pour diriger un ** haut-parleur d'extrêmes-graves ou un canal central. Dans cette configuration, l'amplificateur additionne les canaux de droite et de gauche pour fournir une sortie de canal (mono).

****ATTENTION!** En mode en dérivation, l'amplificateur doit disposer de l'impédance minimum recommandée, ou supérieure. Toute impédance inférieure à celle recommandée entraînera une surchauffe de l'amplificateur et l'endommagera peut-être de façon permanente!



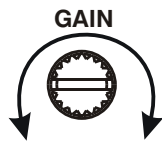
RÉGLAGE DU FILTRE PASSIF ET DES BASSES

- Sélectionnez l'entrée source.
- 2 CH. BASS = entrée 2 canaux avec une amplification des basses sur les canaux avant et arrière
 - 2 CH = entrée 2 canaux avec une amplification des basses sur le canal avant
 - 4 CH = entrée 4 canaux avec une amplification des basses sur les canaux avant uniquement



RÉGLAGE PRÉCIS DU SYSTÈME

Réglez la sensibilité d'entrée de l'amplificateur.



La commande de sensibilité de gain de l'amplificateur «MGA» se trouve sur le panneau latéral. Cette commande de gain a été incluse afin de permettre au réglage de bien correspondre à la sortie de la radio. Il s'agit là d'un des réglages les moins bien compris. En tournant la commande dans le sens des aiguilles d'une montre, l'entrée de l'amplificateur deviendra plus sensible et la musique sera

plus forte. Il ne s'agit pas d'une commande de volume et l'amplificateur ne sera pas plus puissant en position maximum! Il pourra donner l'impression d'être plus puissant mais, en réalité, le système atteint plus rapidement un niveau sonore supérieur lorsque vous augmentez le volume sur la radio. Idéalement, afin de régler correctement le niveau du système, l'objectif est d'atteindre une sortie maximum de l'amplificateur sans distorsion à environ 3/4 de la commande de volume.

Pour déterminer si le gain de l'amplificateur est bien réglé, mettez le système en marche et augmentez doucement le volume. Vous devriez pouvoir utiliser environ les 3/4 du volume avant que le système ne devienne fort mais sans distorsion. Lorsque vous pratiquez ces réglages, il est très important de ne pas surmoduler les haut-parleurs (au point de distorsion), cela endommagerait les haut-parleurs de façon permanente. Si vous ne parvenez pas aux 3/4 du volume avant la distorsion, vous devrez régler les commandes de gain (dans ce cas, vous réduirez le gain). Les commandes de gain doivent être ajustées très doucement. Il peut être utile de vous faire aider d'une autre personne qui réglerait les commandes de gain pendant que vous écoutez la distorsion.

DÉPANNAGE DU SYSTÈME

Nous avons conçu ce guide de dépannage afin de vous aider si vous rencontrez des problèmes après avoir installé l'amplificateur. N'oubliez pas que la majorité des problèmes résultent d'une installation incorrecte et ne sont pas dus à l'équipement lui-même. De plus, de nombreux composants du système sont susceptibles d'entraîner divers problèmes de signal comme des bruits de moteur ou des parasites induits d'origine électrique.

Avant de pouvoir correctement régler le problème, vous devez tout d'abord trouver quel composant en est la cause. Vous devrez pour cela vous armer de patience et procéder par élimination.

RECHERCHE....

SOLUTION

Pas de sortie

Fusible grillé
Mauvais câble(s) RCA
+12 V à la borne d'alimentation
+12V à la borne distante
Prises de masse propres et étanches
Atténuateur de l'unité principale
pas en position centrale

Remplacer
Remplacer
Vérifier le branchement
Vérifier le branchement
Vérifier la masse avec un multimètre
Régler en position centrale

Sortie faible

Vérifier réglages niveau
Mauvais câble(s) RCA
Correspondance niveau incorrecte

Re-régler
Remplacer
Re-régler

Bruit de moteur

Prises de masse propres et étanches
Relier à la masse tous les composants
en un même point
Tester différentes prises de masse
Mauvais câble(s) RCA
Utilisation de câbles RCA armés
de haute qualité
Système de charge du véhicule et/ou
batterie faibles

Vérifier la masse avec un multimètre
Relier à la masse en un même point

Changer pour une meilleure masse
Remplacer
Rejet du bruit induit

Réparer et/ou remplacer

Voyant de protection allumé

Court-circuit haut-parleur

Vérifier s'il y a un court-circuit au
niveau des branchements du
haut-parleur

Le haut-parleur se déconnecte
de la masse

Assurez-vous que les fils
du haut-parleur ne touchent pas
la masse du châssis

Impédance trop faible

Vérifier l'impédance du haut-parleur
(Min 2 ohms en stéréo, 4 en mono)

Surchauffe

Vérifier l'emplacement de montage afin
d'assurer une circulation d'air adéquate
Impédance du haut-parleur trop faible

SPECIFICATIONS

MGR4150

Puissance de sortie à 14,4 V c.c. :	
4 ohm	100 W x 4
2 ohm	150 W x 4
Dérivation 4 ohms	270 W x 2
Réponse en fréquence	10 Hz- 20 KHz
Rapport signal à bruit (pondéré en gamme A)	<100 dB
Distorsion (pondéré en gamme A)	0,30%
Niveau d'entrée faible	250 mV-6 V
Niveau d'entrée élevé	400 mV-12 V
Battery Voltage Range	10,5 V c.c.-15 V c.c.
Type de filtre	PH/COMPLET/PB
Plage de fréq. du filtre (X1)	55 Hz-600 Hz
Plage de fréq. du filtre (X10)	550 Hz-6 kHz
Pente d'atténuation du filtre	12 dB/Oct
Égalisation basse	0-18 dB
Fusible	30A x 2

En raison des améliorations apportées continuellement au produit, ces spécifications peuvent faire l'objet de modifications sans notification préalable.



SAS

GARANTIE LIMITÉE

Southern Audio Services, Inc., garantit tous ses produits exempts de défauts liés au matériel et à la fabrication pendant une période d'un (1) an à compter de la date d'achat. Si le produit n'était pas tel que la garantie le présente, la seule obligation de SAS consisterait à réparer ou à remplacer le produit défectueux selon les termes de SAS : SAS limite son obligation découlant de toute garantie implicite conformément à la législation d'un État à une période ne dépassant pas la période de garantie limitée. SAS et ses revendeurs BAZOOKA® autorisés déclinent tout spécialement toute responsabilité pour tous les dommages indirects ou consécutifs. Certains États n'acceptent pas les limitations relatives à la durée de la garantie implicite et certains États n'acceptent pas l'exclusion ou la limitation des dommages indirects ou consécutifs. De ce fait, la limitation ou les exclusions ci-dessus peuvent ne pas vous concerner. Cette garantie vous donne des droits légaux spécifiques et vous disposez peut-être d'autres droits, qui varient d'un État à un autre.

Ce qui est couvert : Cette garantie couvre tous les défauts matériels ou de fabrication (pièces et main-d'oeuvre) du produit.

Ce qui n'est pas couvert : Cette garantie ne couvre pas les éléments suivants :

1. Les dommages survenant pendant le transport du produit à SAS pour réparation (les réclamations doivent être présentées au transporteur).
2. Les dommages causés par accident, abus, négligence, mauvais usage ou fonctionnement ou installation incorrects.
3. Les dommages causés par une catastrophe naturelle, y compris et sans s'y limiter, les incendies, les inondations, les tempêtes et autres calamités naturelles.
4. Tout produit doté d'un numéro de série détruit, modifié, transformé ou supprimé.
5. Tout produit qui a été modifié ou transformé sans l'accord de SAS.



Comment obtenir des services de garantie :

1. Vous êtes responsable de remettre le produit à un revendeur BAZOOKA® autorisé ou de contacter SAS au 1-800-THE TUBE pour obtenir un numéro d'autorisation de retour. Le numéro d'autorisation de retour doit être clairement indiqué sur la partie extérieure de la boîte. Le fret doit être prépayé jusque chez SAS. Les pièces de rechange couvertes par la garantie seront retournées en fret prépayé. L'ensemble peut être retourné pour le service de garantie mais le retour sera en fret payable à l'arrivée.
2. Vous devez fournir une preuve de la date d'achat du produit. Dans le cas contraire, la date originale de fabrication sera utilisée pour déterminer la période de garantie.
3. Vous devez emballer le produit soigneusement pour éviter qu'il ne subisse des dommages pendant son transport.
4. Après vous être procuré un numéro d'autorisation de retour, expédiez le produit concerné à l'adresse ci-dessous. Merci de compléter cette section et de conserver ce document pour vos archives.

Modèle(s) acheté(s) _____

Numéro(s) de série _____

Date d'achat _____

Nom du revendeur _____

Estimado comprador,

Felicitaciones por la adquisición de un amplificador de alto rendimiento Bazooka. En Bazooka, somos fanáticos de la reproducción exacta de la música. La elección de nuestros productos para su sistema de sonido, indica que la calidad de sonido es también importante para usted. En SAS estamos orgullosos por la fabricación de productos de audio revolucionarios, y a través de años experiencia en ingeniería, de manos artesanales y de procesos de prueba críticos, hemos creado esta serie de amplificadores de alto rendimiento. Esperamos que usted esté tan orgulloso de poseer y usar uno de estos productos audio de alta calidad como nosotros de diseñarlos y la fabricarlos.

Cuando es instalado y utilizado correctamente, un amplificador MGA de Bazooka le dará años de limpia e ininterrumpida reproducción de sonido. Por lo tanto, le sugerimos tomar algunos minutos para leer cuidadosamente este manual. Explicará todas las características de su amplificador y ayudará a realizar una instalación segura.

El sonido puede engañar. Luego de unos minutos, su umbral audición confortable se acostumbra a niveles altos de volumen. Lo que le puede sonar "normal", es probable que realmente sea demasiado ruidoso y dañino para su oído. Protéjase contra esto ajustando su equipo en un nivel de volumen "saludable" antes que su oído se adapte.

Para establecer un "nivel seguro",

- Comience con su control de volumen en un ajuste bajo.
- Aumente lentamente el volumen hasta que pueda oír confortablemente, claramente y sin distorsión.
- Una vez que usted haya establecido un confortable "nivel de volumen", anote este valor y no pase por encima este ajuste.

Tomar un minuto para hacer esto ayudará a evitar que su audición sea dañada y a permitir que usted goce el escuchar música durante toda su vida.

COMO REALIZAR UNA INSTALACION SEGURA

Fusible principal.

Asegúrese de colocar un fusible en el cable de alimentación del amplificador, a una distancia no mayor de 6" de la batería. Este fusible protegerá la batería en caso de un corto circuito en el cable. ESTO ES PRIMORDIAL, ya que el fusible incluido en el amplificador solo protegerá el amplificador y no la batería del auto!

Utilice terminales para cable adecuadas.

La única manera de asegurar máxima transferencia de energía y seguridad en las conexiones, es utilizando terminales espada de calidad (para terminar el cable del amplificador en caso necesario) y terminales anillo (para conectar el cable de alimentación a la batería).

Nunca pase los cables por debajo del vehículo.

Esto es exponer los cables a posibles cortos o daños. Es mucho mejor pasar todos los cables por dentro del vehículo, debajo de las alfombras y/o los paneles laterales. De esta forma obtendrá una instalación limpia, segura y sin riesgo de daños.

Tome precauciones cuando instale el amplificador.

Recuerde que hay muchos cables de corriente, mangueras, dispositivos electrónicos, como así también un tanque de gasolina, dentro del automóvil. Verifique siempre antes de montar el amplificador, para no perforar o causar cortos en ninguna línea, o realizar agujeros en el tanque de gasolina.

Pase los cables de señal (RCA) lejos de los de corriente.

Para evitar la posibilidad de ruidos inducidos desde el sistema eléctrico del auto (por ejemplo ruidos de encendido o de motor), siempre trate de alejarse de los cables de corriente originales del automóvil.

Realice todas las tierras lo más cortas posibles y en el mismo punto.

Con el objeto de reducir la posibilidad de ruidos por "lazos de tierra" (por ejemplo los ruidos de motor), realice las conexiones negativas, lo más cortas posibles para disminuir la resistencia del cable. También cuando instale múltiples componentes, asegúrese que todos tengan su tierra en el mismo punto.

Evite partes filosas o cortantes cuando pase los cables.

Para no producir cortos en los cables de corriente, señal o de bocina, tenga cuidado con las partes cortantes de la carrocería del automóvil. Siempre utilice pasa cables de goma cuando necesite atravesar la lámina con algún cable.

CARACTERISTICAS Y BENEFICIOS

Protección contra corriente continua (DC)

Este circuito protege a la salida del amplificador de la corriente continua. Si por alguna razón se detecta la presencia de corriente continua (DC) en la etapa de salida, el amplificador se apagará protegiendo a las bocinas.

Protección contra corto circuito.

Este circuito protege al amplificador de eventuales corto circuitos producidos en el cableado o en las bocinas. Si alguna bocina o el cableado entra en contacto con la tierra, el amplificador se apagará. Para retomar el funcionamiento normal, solucione el problema que produce el corto y luego apague y encienda la unidad principal. El amplificador se reseteará y funcionará otra vez.

Protección Térmica.

Para proteger el amplificador de posibles daños causados por exposición prolongada a altas temperaturas, el circuito de protección térmica se activará si el amplificador alcanza determinada temperatura. Una vez activado, el amplificador se apagará hasta tanto se enfríe, y automáticamente se encenderá cuando alcance una temperatura segura para su operación.

Crossover

Los amplificadores "MGA" incluyen crossovers variables del tipo pasa altos y pasa bajos. El rango de frecuencias variables entre 55Hz y 6kHz, permite precisos cortes entre altas y bajas frecuencias.

Realce de Graves

Para agregar calidad en baja frecuencia el amplificador incluye un realce de graves variable (0 a 16 dB).

Fusible.

Protege al amplificador de corto circuitos y de consumos excesivos de corriente.

Remoto.

Automáticamente enciende el amplificador al conectarlo con la salida remoto de la unidad principal. El amplificador se enciende y apaga junto con la unidad principal para evitar consumo de corriente. Este control también opera el circuito de reset del amplificador. Debe conectarse con la unidad principal para resetear los circuitos de protección.

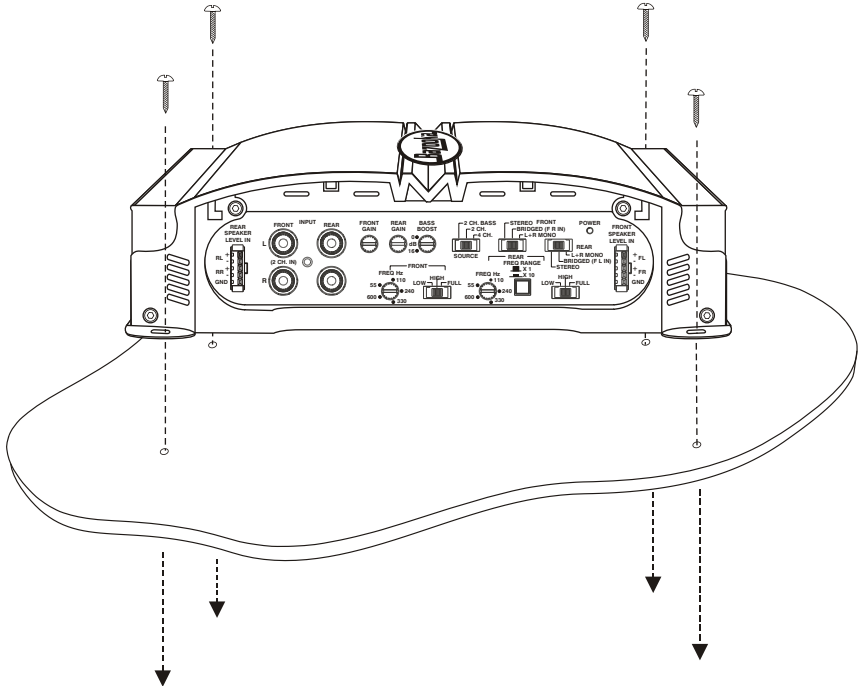
Sensibilidad de entrada Ajustable.

Permite ajustar los niveles entre la salida de la unidad principal y la entrada del amplificador.

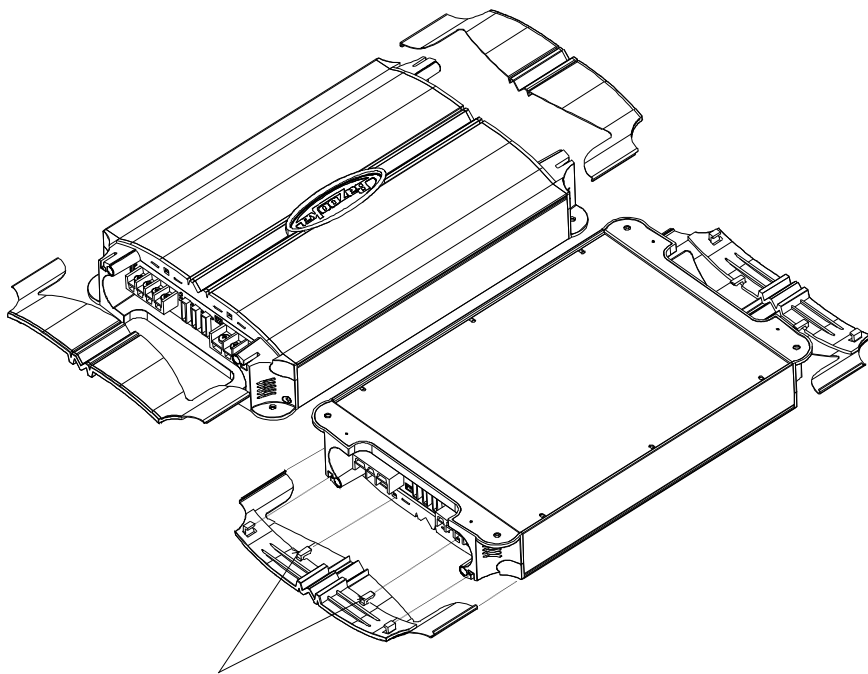
UBICACION DEL AMPLIFICADOR

Antes de iniciar la instalación, es necesario decidir el lugar adecuado para montar el amplificador. Busque un alojamiento donde el amplificador reciba ventilación suficiente para disipar el calor producido durante su operación. Los lugares mas comunes son la cajuela y debajo de los asientos.

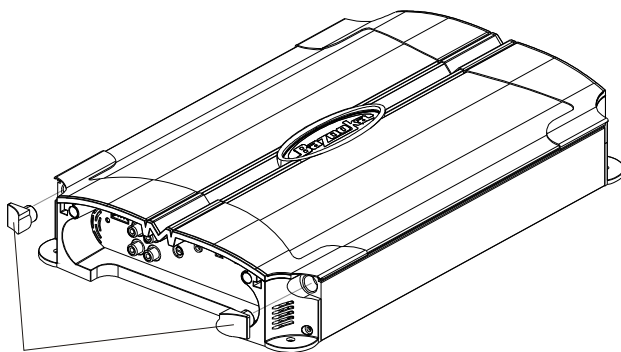
Una vez elegido el lugar, tenga precaución al montarlo. Hay muchos cables, dispositivos electrónicos, mangueras, tanque de gasolina, etc dentro de un automóvil. Asegúrese de no perforar líneas, producir corto circuitos o agujerear el tanque de gasolina. Una vez listo, utilice un lápiz para marcar los puntos de montaje del amplificador. Luego retire el amplificador y realice pequeños hoyos con un taladro para facilitar la colocación de los tornillos. Utilice los tornillos provistos para la fijación del amplificador.



Conexiones

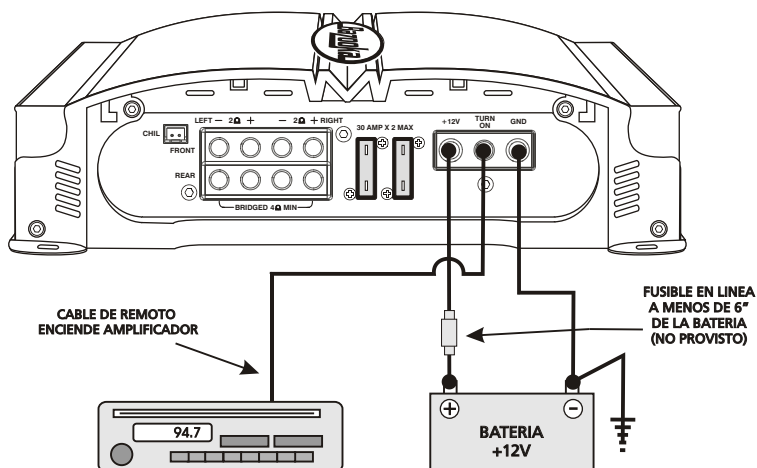


Paneles laterales removibles para facilitar las conexiones.
Asegurese de no romper las trabas de plástico.



Tapas de goma pueden ser retiradas para el kit de refrigeración por agua C.H.I.L.L.! Quitando estas tapas se remueven fácilmente los paneles.

CONEXIONES DE ALIMENTACIÓN



IMPORTANTE! Antes de realizar cualquier conexión, desconecte la batería del auto hasta que la instalación esté terminada y evitará posibles daños al sistema eléctrico.

Conexión del amplificador con la batería.

Utilice cable calibre 4 para la conexión de corriente. Quite la protección en un extremo del cable y conecte en el terminal del amplificador marcado como "+12V". Afloje el tornillo, coloque el cable y luego ajuste. Tenga cuidado que ningún hilo del cable quede fuera del terminal y en corto circuito con otro terminal. Conecte el otro extremo del cable directamente al borne positivo de la batería. Asegúrese de utilizar un fusible en línea a no más de 6" del borne para proteger al sistema eléctrico de corto circuitos y sobrecargas de corriente.

Conecte el terminal negativo del amplificador al chasis del auto.

Para la conexión de tierra, utilice un cable calibre 4 (negro) desde el terminal marcado como "GND" en el amplificador hasta el chasis del auto. Intente que la longitud del cable sea lo más corta posible, preferentemente menor a 6". También deje libre de pintura y de suciedad el lugar del chasis donde realice la conexión a tierra.

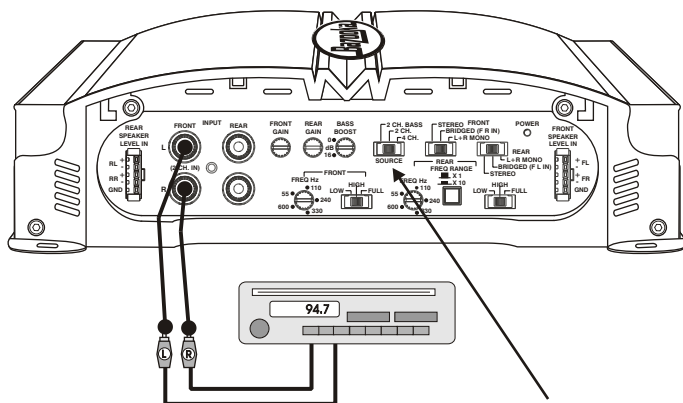
Conecte el Terminal de remoto del amplificador a una fuente de +12V conmutable.

Esta conexión permite que el amplificador encienda y apague junto con la radio. Si la radio tiene un cable de REMOTO, conéctelo con el terminal del amplificador marcado como TURN-ON (utilice un cable calibre 16). Ahora cuando encienda la radio, el amplificador automáticamente encenderá.

ENTRADAS DE BAJA SEÑAL

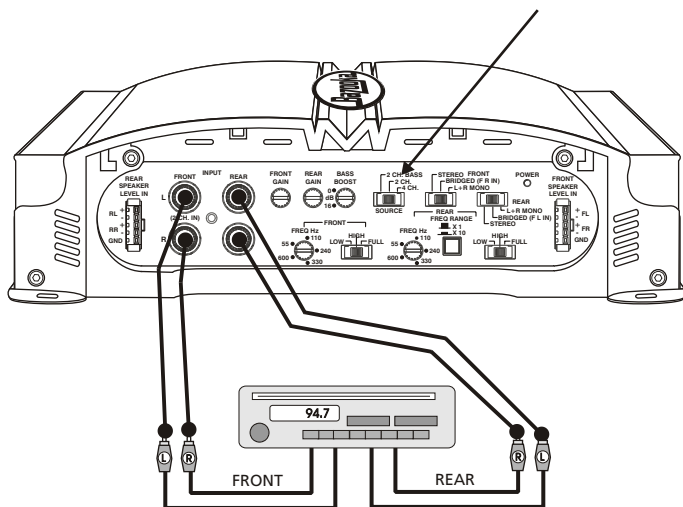
Conecte la salida RCA de la unidad principal (reproductor de cassette, CD, MP3, DVD, etc) a la entrada RCA del amplificador.

Para realizar esta conexión, recomendamos utilizar cables de buena calidad, disponibles en la mayoría de las tiendas de car audio. Realizar la instalación de los cables RCA lejos de los de corriente, disminuye la posibilidad de ruido inducido del sistema eléctrico del auto (ruidos de encendido y de motor). Tenga precaución al realizar esta conexión para que la entrada RCA coincida con la salida de bocinas correspondiente.



POR FAVOR VEA LA CONFIGURACION DE ENTRADA EN LA PAGINA 38

ENTRADA DE 2 CANALES



ENTRADA DE 4 CANALES

ESPAÑOL

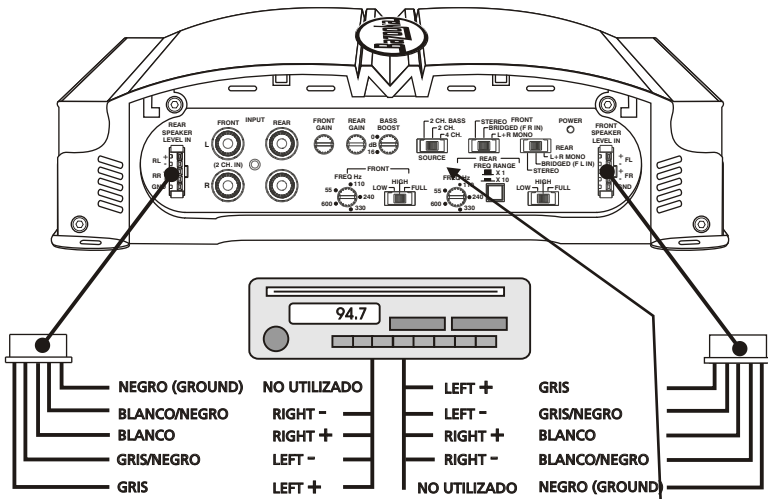


ENTRADAS DE ALTA SEÑAL (OPCIONAL)

Entradas de señal de alto nivel han sido incluidas para conectar el amplificador con radios que no tengan salidas RCA (por ejemplo la radio de agencia). Esta entrada permite conectar directamente el amplificador a la salida de bocinas de la radio, sin la utilización de adaptadores externos.

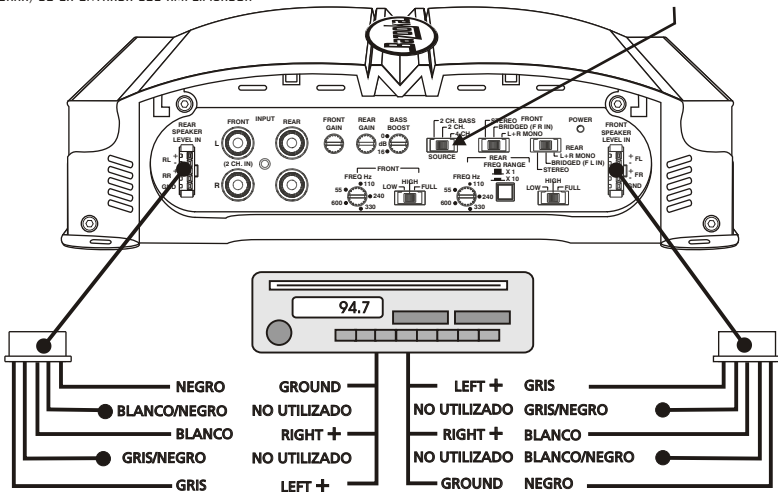
Dependiendo del tipo de radio, puede realizar una de las siguientes conexiones.

CUIDADO! Antes de realizar la conexión determine el tipo de radio para evitar daños en el amplificador o la radio.



RADIO DE TIERRA FLOTANTE: ES EL TIPO MAS COMUN. EL CABLE NEGATIVO DE BOCINA NO ES TIERRA!! NO CONECTAR EL CABLE NEGRO (TIERRA) DE LA ENTRADA DEL AMPLIFICADOR

POR FAVOR VEA LA CONFIGURACION DE ENTRADA EN LA PAGINA 38

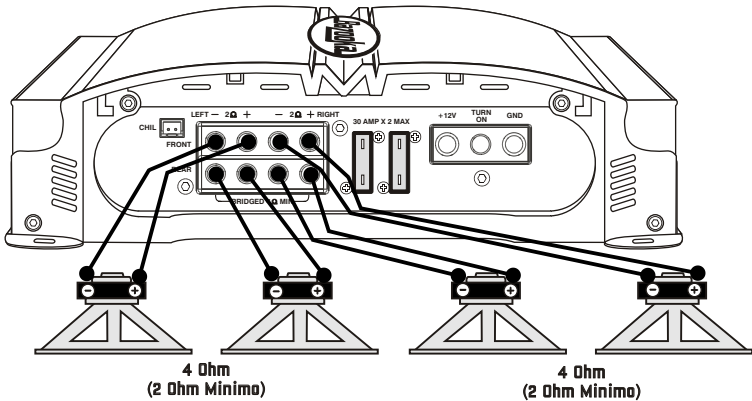


RADIO DE TIERRA COMUN: EL CABLE NEGATIVO DE BOCINA ES TIERRA!! NO CONECTAR LAS TIERRAS FLOTANTES DE LA ENTRADA DEL AMPLIFICADOR.

SALIDA DE BOCINAS

Realice la conexión de bocinas utilizando cable no menor a calibre 16.

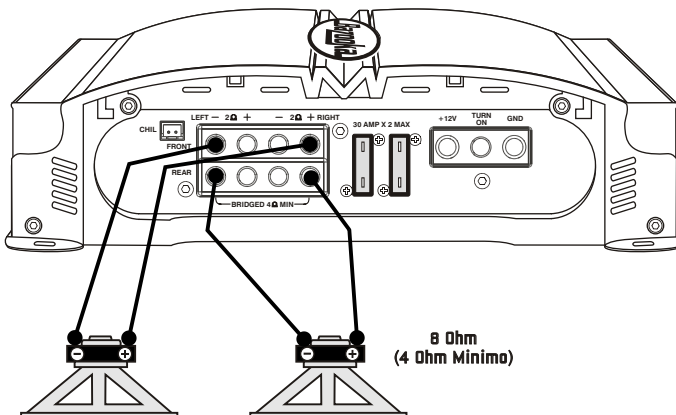
Para todo componente de audio, conectar en fase de salida del amplificador con la bocina es esencial al momento de obtener buena respuesta de baja frecuencia. Cuando conecte, asegúrese que el positivo (+) del amplificador se conecte al positivo (+) de la bocina, y haga lo mismo con el negativo (-).



CONEXION TIPO PUENTE (BRIDGED)

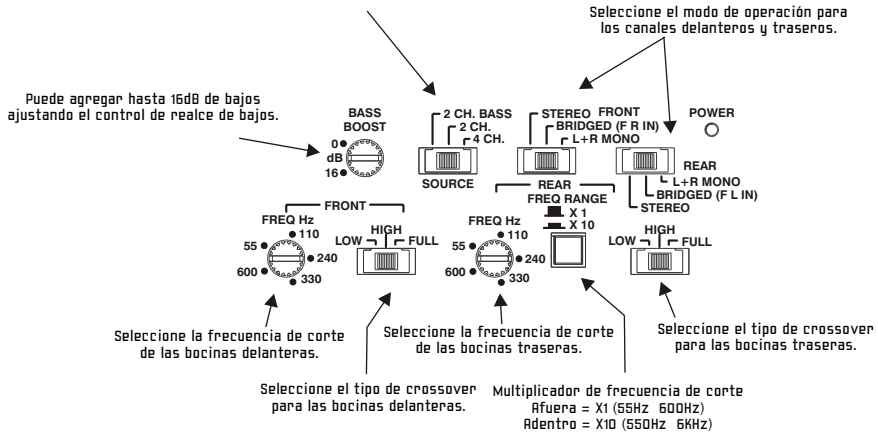
Los amplificadores M6A tienen la posibilidad de ser conectados en "Puentes" para la configuración mono. Esta característica le permite utilizar el amplificador para un subwoofer o un canal central. En esta configuración el amplificador suma las entradas de los canales derecho e izquierdo para alimentar un solo canal de salida (mono).

¡ATENCIÓN! En el modo puente, la impedancia de la bocina debe ser la mínima recomendada o superior. Cualquier disminución en la impedancia causará el sobrecalentamiento del amplificador y la posibilidad de daño permanente!



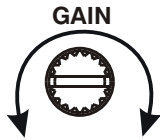
AJUSTE DEL CROSSOVER Y EL REALCE DE BAJOS

Selector de Entrada
 2CH.BASS = 2 canales de entrada con realce de bajos en canales delanteros y traseros.
 2CH = 2 canales de entrada con realce de bajos en los canales delanteros.
 4 CH = 4 canales de entrada con realce de bajos solo en los canales delanteros.



AJUSTE FINO DEL SISTEMA

Ajuste fino de la sensibilidad de entrada del amplificador.



El control de ganancia de los amplificadores "MGA" está ubicado en el panel lateral del amplificador. Este control de ganancia ha sido incluido para poder adaptar el voltaje de salida RCA de la radio con la entrada del amplificador. Este es uno de los más importantes ajustes. Girando el control de ganancia en el sentido de las agujas del reloj, la entrada del amplificador se torna más sensible y el sonido será más fuerte. Este no es un control de volumen y no obtendrá más potencia del amplificador por ponerlo al máximo! Puede parecer que la salida aumenta, pero realmente el sistema solo suena más fuerte aumentando el volumen de la radio. Idealmente, para ajustar correctamente un sistema, debería obtener máxima potencia del amplificador sin distorsión cuando el volumen de la radio alcance las 3/4 partes de su máximo nivel.

Para determinar si la ganancia del amplificador está correctamente ajustada, encienda la radio y lentamente incremente el volumen. Debería alcanzar los 3/4 de volumen antes que el sistema comience a distorsionar. Es muy importante cuando realice este ajuste que no sature sus bocinas (al punto de distorsión) porque puede causarles un daño permanente. Si no consigue alcanzar los 3/4 de volumen sin distorsión entonces necesita reajustar la ganancia (en este caso debe reducir la ganancia del amplificador). El control de ganancia debe ajustarse muy lentamente. Puede ayudar si tiene otra persona que regule la ganancia mientras usted escucha el punto de distorsión.

FALLAS TÍPICAS DEL SISTEMA

Esta guía de fallas es por si tiene problemas luego de instalar el amplificador. Tenga en cuenta que la mayoría de los defectos son producidos por problemas en la instalación y no por mal funcionamiento del equipo. Además hay muchos componentes en el sistema que podrían causar problemas en la señal como ruidos de inducción eléctrica y ruido de motor. Antes de poder solucionar el problema, debemos primero encontrar el componente que esta causándolo. Para esto se requiere de paciencia y de un proceso de eliminación.

PROBLEMA....	SOLUCION
Sin salida de audio Fusible quemado Cable RCA defectuoso +12V de alimentación del amp. +12V deremoto del amp. Puesta a tierra limpia y segura Fader no en el centro	Reemplace Reemplace Verifique conexión Verifique conexión Verifique continuidad con un medidor Verifique posición
Bajo nivel de volumen Verifique ajuste de niveles Cable RCA defectuoso Ajuste de ganancia inapropiado	Reajuste Reemplace Reajuste
Ruido de Motor Puesta a tierra limpia y segura Diferentes puntos de tierra Pruebe otro punto de tierra Cable RCA defectuoso Cables RCAblindados Mal batería y/o sistema de carga	Verifique continuidad con un medidor Utilice una única puesta a tierra Cambie para mejorar contacto Reemplace Rechazan elruido inducido Reemplace
Led de protección encendido Bocina en corto circuito Bocinas a tierra Impedancia muy baja Calor excesivo	 Verifique bocinas y conexiones en busca de corto circuitos Verifique cableado de bocinas en busca de cortos a tierra Verifique impedancia de bocinas (Min 2 ohm estereo, 4 Mono) Verifique lugar de montaje con suficiente ventilación. Impedancia de bocinas muy baja

ESPECIFICACIONES

MGR4150

Potencia de Salida a 14.4 VDC :	
4 ohm.....	100W x 4
2 ohm.....	50W x 4
Briged 4 Ohm.....	270W x 2
Respuesta en Frecuencia.....	10Hz- 20KHz
Relación Señal / Ruido (A-weight).....	<100dB
Distorsión Total Armónica (THD).....	0.30%
Sensibilidad de Entrada (Baja Señal)l.....	250mV-6V
Sensibilidad de Entrada (Alta Señal).....	4 00mV-12V
Rango de Voltaje de Batería.....	10.5VDC-15VDC
Tipo de Crossover.....	HP/FULL/LP
Rango de Frecuencias (X1).....	55Hz-600Hz
Rango de Frecuencias (X10).....	550Hz-6kHz
Pendiente de Corte.....	12dB/Oct
Realce de Bajos.....	0-16dB
Fusible.....	30A x 2

Como continuamente mejoramos nuestros productos, las especificaciones pueden cambiar sin previo aviso



CONDICIONES DE GARANTIA

Southern Audio Services, Inc. (SAS), garantiza todos sus productos de posibles defectos de material y fabricación por período de 1 (un) año a partir de la fecha de compra. En caso que el producto no sea garantía, la única obligación de "SAS" será reparar o sustituir el producto defectuoso haciendo uso de esta opción. SAS limita su obligación de cualquier garantía implicada bajo leyes estatales a un tiempo que no exceda el período limitado por la garantía. "SAS" y sus distribuidores autorizados de BAZOOKA® niegan específicamente la responsabilidad por cualquier daño fortuito o consecuente. Algunos estados no permiten limitaciones sobre cuánto tiempo dura una garantía, y otros estados no permiten la exclusión o la limitación de daños fortuitos o consecuentes, así que las limitaciones o las exclusiones antedichas no pueden aplicarse a usted. Esta garantía le da derechos legales específicos, y usted puede tener otros derechos, que varían de un estado a otro.

Qué cubre: Esta garantía cubre todos los defectos en materiales o de fabricación en el producto.

Qué no cubre: Esta garantía no cubre lo siguiente:

1. Daños que ocurran durante el envío del producto a "SAS" para la reparación (las demandas se deben presentarse al transporte).
2. Daños causados por accidente, abuso, negligencia, uso erróneo u operación o instalación incorrecta.
3. Daños causados por un acto de dios, incluyendo sin limitación, fuego, tormenta, inundación u otros actos de la naturaleza.
4. Cualquier producto, que tenga un número de serie desfigurado, alterado, modificado, o quitado.
5. Cualquier producto que se haya alterado o modificado sin el consentimiento De "SAS".



Cómo obtener el servicio de garantía:

1. Usted es responsable de la entrega del producto a un distribuidor autorizado de BAZOOKA® o entrar en contacto con "SAS" en el 1-800-THE TUBO para obtener un número de Autorización. El número de Autorización se debe escribir claramente en el exterior de la caja. El envío se debe pagar por adelantado a "SAS". El envío de las piezas de recambio de la garantía será pagado por adelantado. Se debe enviar la caja completa para el servicio de la garantía, y el retorno será por cobrar.

2. Usted debe proporcionar la prueba de la fecha de compra del producto. Si la prueba de la compra no se proporciona, la fecha de la fabricación original será utilizada para determinar período de la garantía.

3. Usted debe empaquetar el producto con seguridad para evitar daño durante el envío.

4. Después de obtener el número de Autorización, envíe a la dirección abajo.

Complete por favor estos datos y consérvelos.

Modelo _____

Número de serie _____

Fecha de Compra _____

Nombre del distribuidor _____



If you have any questions contact the
SAS Technical Support Department at:

Phone - (800) THE TUBE • Fax - (225) 272-9844

In Canada: (604) 988 2966

Email - tech@bazooka.com • Website - www.bazooka.com

14763 Florida Blvd., Baton Rouge, LA. 70819

Free Manuals Download Website

<http://myh66.com>

<http://usermanuals.us>

<http://www.somanuals.com>

<http://www.4manuals.cc>

<http://www.manual-lib.com>

<http://www.404manual.com>

<http://www.luxmanual.com>

<http://aubethermostatmanual.com>

Golf course search by state

<http://golfingnear.com>

Email search by domain

<http://emailbydomain.com>

Auto manuals search

<http://auto.somanuals.com>

TV manuals search

<http://tv.somanuals.com>