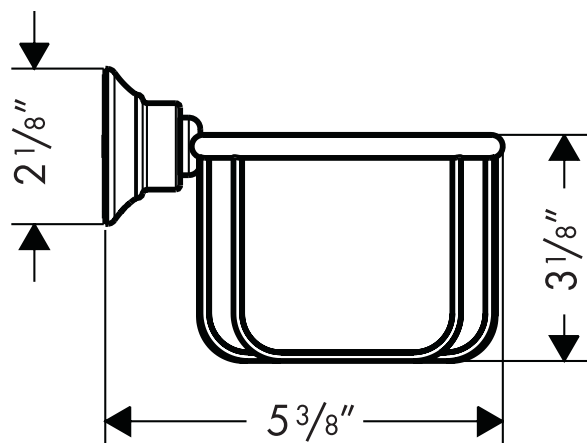


## Product Features

- Wall-mounted
- Solid brass holder

## Available Finishes

Chrome	42065000
Brushed Nickel	42065820
Polished Nickel	42065830



The measurements shown are for reference only.

Products and specifications shown are subject to change without notice.

Specification sheet revised 3/2008

## Free Manuals Download Website

<http://myh66.com>

<http://usermanuals.us>

<http://www.somanuals.com>

<http://www.4manuals.cc>

<http://www.manual-lib.com>

<http://www.404manual.com>

<http://www.luxmanual.com>

<http://aubethermostatmanual.com>

Golf course search by state

<http://golfingnear.com>

Email search by domain

<http://emailbydomain.com>

Auto manuals search

<http://auto.somanuals.com>

TV manuals search

<http://tv.somanuals.com>