

## **AXIS Q604 Series**

**AXIS Q6042 PTZ Dome Network Camera**

**AXIS Q6044 PTZ Dome Network Camera**

**AXIS Q6045 PTZ Dome Network Camera**

## **Installation Guide**

## Legal Considerations

Video and audio surveillance can be regulated by laws that vary from country to country. Check the laws in your local region before using this product for surveillance purposes.

This product includes one (1) H.264 decoder license and one (1) AAC decoder license. To purchase further licenses, contact your reseller.

## Liability

Every care has been taken in the preparation of this document. Please inform your local Axis office of any inaccuracies or omissions. Axis Communications AB cannot be held responsible for any technical or typographical errors and reserves the right to make changes to the product and manuals without prior notice. Axis Communications AB makes no warranty of any kind with regard to the material contained within this document, including, but not limited to, the implied warranties of merchantability and fitness for a particular purpose. Axis Communications AB shall not be liable nor responsible for incidental or consequential damages in connection with the furnishing, performance or use of this material. This product is only to be used for its intended purpose.

## Intellectual Property Rights

Axis AB has intellectual property rights relating to technology embodied in the product described in this document. In particular, and without limitation, these intellectual property rights may include one or more of the patents listed at [www.axis.com/patent.htm](http://www.axis.com/patent.htm) and one or more additional patents or pending patent applications in the US and other countries.

This product contains licensed third-party software. See the menu item "About" in the product's user interface for more information.

This product contains source code copyright Apple Computer, Inc., under the terms of Apple Public Source License 2.0 (see [www.opensource.apple.com/aps/](http://www.opensource.apple.com/aps/)). The source code is available from <https://developer.apple.com/bonjour/>

## Equipment Modifications

This equipment must be installed and used in strict accordance with the instructions given in the user documentation. This equipment contains no user-serviceable components. Unauthorized equipment changes or modifications will invalidate all applicable regulatory certifications and approvals.

## Trademark Acknowledgments

AXIS COMMUNICATIONS, AXIS, ETRAX, ARTPEC and VAPIX are registered trademarks or trademark applications of Axis AB in various jurisdictions. All other company names and products are trademarks or registered trademarks of their respective companies.

Apple, Boa, Apache, Bonjour, Ethernet, Internet Explorer, Linux, Microsoft, Mozilla, Real, SMPTE, QuickTime, UNIX, Windows, Windows Vista and WWW are registered trademarks of the respective holders. Java and all Java-based trademarks and logos are trademarks or registered trademarks of Oracle and/or its affiliates. UPnP™ is a certification mark of the UPnP™ Implementers Corporation.

SD, SDHC and SDXC are trademarks or registered trademarks of SD-3C, LLC in the United States, other countries or both. Also, miniSD, microSD, miniSDHC, microSDHC, microSDXC are all trademarks or registered trademarks of SD-3C, LLC in the United States, other countries or both.

## Regulatory Information

### Europe

**CE** This product complies with the applicable CE marking directives and harmonized standards:

- Electromagnetic Compatibility (EMC) Directive 2004/108/EC. See *Electromagnetic Compatibility (EMC) on page 2*.
- Low Voltage (LVD) Directive 2006/95/EC. See *Safety on page 3*.
- Restrictions of Hazardous Substances (RoHS) Directive 2011/65/EU. See *Disposal and Recycling on page 3*.

A copy of the original declaration of conformity may be obtained from Axis Communications AB. See *Contact Information on page 3*.

### Electromagnetic Compatibility (EMC)

This equipment has been designed and tested to fulfill applicable standards for:

- Radio frequency emission when installed according to the instructions and used in its intended environment.
- Immunity to electrical and electromagnetic phenomena when installed according to the instructions and used in its intended environment.

### USA

This equipment has been tested using a shielded network cable (STP) and found to comply with the limits for a Class A digital device, pursuant to part 15 of the FCC Rules. These limits are designed to provide reasonable protection against harmful interference when the equipment is operated in a commercial environment. This equipment generates, uses, and can radiate radio frequency energy and, if not installed and used in accordance with the instruction manual, may cause harmful interference to radio communications. Operation of this equipment in a residential area is likely to cause harmful interference in which case the user will be required to correct the interference at his own expense.

The product shall be connected using a shielded network cable (STP) that is properly grounded.

### Canada

This Class A digital apparatus complies with Canadian ICES-003. The product shall be connected using a shielded network cable (STP) that is properly grounded.

Cet appareil numérique de la classe A est conforme à la norme NMB-003 du Canada. Le produit doit être connecté à l'aide d'un câble réseau blindé (STP) qui est correctement mis à la terre.

### Europe

This digital equipment fulfills the requirements for RF emission according to the Class A limit of EN 55022. The product shall be connected using a shielded network cable (STP) that is properly grounded. Notice! This is a Class A product. In a domestic environment this product may cause RF interference, in which case the user may be required to take adequate measures.

This product fulfills the requirements for emission and immunity according to EN 50121-4 and IEC 62236-4 railway applications.

This product fulfills the requirements for immunity according to EN 61000-6-1 residential, commercial and light-industrial environments.

This product fulfills the requirements for immunity according to EN 61000-6-2 industrial environments.

This product fulfills the requirements for immunity according to EN 55024 office and commercial environments

## Australia/New Zealand

This digital equipment fulfills the requirements for RF emission according to the Class A limit of AS/NZS CISPR 22. The product shall be connected using a shielded network cable (STP) that is properly grounded. Notice! This is a Class A product. In a domestic environment this product may cause RF interference, in which case the user may be required to take adequate measures.

## Japan

この装置は、クラスA情報技術装置です。この装置を家庭環境で使用すると電波妨害を引き起こすことがあります。この場合には使用者が適切な対策を講ずるよう要求されることがあります。本製品は、シールドネットワークケーブル(STP)を使用して接続してください。また適切に接地してください。

## Korea

이 기기는 업무용(A급) 전자파적합기기로서 판매자 또는 사용자는 이 점을 주의하시기 바라며, 가정외의 지역에서 사용하는 것을 목적으로 합니다. 적절히 접지된 STP (shielded twisted pair) 케이블을 사용하여 제품을 연결 하십시오.

## Safety

This product complies with IEC/EN/UL 60950-1, Safety of Information Technology Equipment. If its connecting cables are routed outdoors, the product shall be grounded either through a shielded network cable (STP) or other appropriate method.

The power supply used with this product shall fulfill the requirements for Safety Extra Low Voltage (SELV) and Limited Power Source (LPS) according to IEC/EN/UL 60950-1.

## Disposal and Recycling

When this product has reached the end of its useful life, dispose of it according to local laws and regulations. For information about your nearest designated collection point, contact your local authority responsible for waste disposal. In accordance with local legislation, penalties may be applicable for incorrect disposal of this waste.

## Europe



■ This symbol means that the product shall not be disposed of together with household or commercial waste. Directive 2012/19/EU on waste electrical and electronic equipment (WEEE) is applicable in the European Union member states. To prevent potential harm to human health and the environment, the product must be disposed of in an approved and environmentally safe recycling process. For information about your nearest designated collection point, contact your local authority responsible for waste disposal. Businesses should contact the product supplier for information about how to dispose of this product correctly.

This product complies with the requirements of Directive 2011/65/EU on the restriction of the use of certain hazardous substances in electrical and electronic equipment (RoHS).

## China



This product complies with the requirements of the legislative act Administration on the Control of Pollution Caused by Electronic Information Products (ACPEIP).

## Contact Information

Axis Communications AB  
Emdalavägen 14

223 69 Lund

Sweden

Tel: +46 46 272 18 00

Fax: +46 46 13 61 30

[www.axis.com](http://www.axis.com)

## Support

Should you require any technical assistance, please contact your Axis reseller. If your questions cannot be answered immediately, your reseller will forward your queries through the appropriate channels to ensure a rapid response. If you are connected to the Internet, you can:

- download user documentation and software updates
- find answers to resolved problems in the FAQ database. Search by product, category, or phrase
- report problems to Axis support staff by logging in to your private support area
- chat with Axis support staff (selected countries only)
- visit Axis Support at [www.axis.com/techsup](http://www.axis.com/techsup)

## Learn More!

Visit Axis learning center [www.axis.com/academy/](http://www.axis.com/academy/) for useful trainings, webinars, tutorials and guides.



## Safety Information

Read through this Installation Guide carefully before installing the product. Keep the Installation Guide for future reference.

### Hazard Levels

**▲ DANGER**

Indicates a hazardous situation which, if not avoided, will result in death or serious injury.

**▲ WARNING**

Indicates a hazardous situation which, if not avoided, could result in death or serious injury.

**▲ CAUTION**

Indicates a hazardous situation which, if not avoided, could result in minor or moderate injury.

**NOTICE**

Indicates a situation which, if not avoided, could result in damage to property.

### Other Message Levels

**Important**

Indicates significant information which is essential for the product to function correctly.

**Note**

Indicates useful information which helps in getting the most out of the product.

# AXIS Q604 Series

---

## Safety Instructions

### **▲WARNING**

- The Axis product shall be installed by a trained professional.

### **NOTICE**

- The Axis product shall be used in compliance with local laws and regulations.
- To use the Axis product outdoors, or in similar environments, it shall be installed in an approved outdoor housing.
- Store the Axis product in a dry and ventilated environment.
- Avoid exposing the Axis product to shocks or heavy pressure.
- Do not install the product on unstable brackets, surfaces or walls.
- Use only applicable tools when installing the Axis product. Excessive force could cause damage to the product.
- Do not use chemicals, caustic agents, or aerosol cleaners. Use a clean cloth dampened with pure water for cleaning.
- Use only accessories that comply with technical specification of the product. These can be provided by Axis or a third party.
- Use only spare parts provided by or recommended by Axis.
- Do not attempt to repair the product by yourself. Contact Axis support or your Axis reseller for service matters.

## Transportation

### **NOTICE**

- When transporting the Axis product, use the original packaging or equivalent to prevent damage to the product.

## Battery

The Axis product uses a 3.0 V BR/CR2032 lithium battery as the power supply for its internal real-time clock (RTC). Under normal conditions this battery will last for a minimum of five years.

Low battery power affects the operation of the RTC, causing it to reset at every power-up. When the battery needs replacing, a log message will appear in the product's server report. For more information about the server report, see the product's setup pages or contact Axis support.

The battery should not be replaced unless required, but if the battery does need replacing, contact Axis support at [www.axis.com/techsup](http://www.axis.com/techsup) for assistance.

## **⚠WARNING**

- Risk of explosion if the battery is incorrectly replaced.
- Replace only with an identical battery or a battery which is recommended by Axis.
- Dispose of used batteries according to local regulations or the battery manufacturer's instructions.

## Dome Cover

### **NOTICE**

- Be careful not to scratch, damage or leave fingerprints on the dome cover because this could decrease image quality. If possible, keep the protective plastic on the dome cover until the installation is complete.
- Do not clean a dome cover that looks clean to the eye and never polish the surface. Excessive cleaning could damage the surface.
- For general cleaning of the dome cover it is recommended to use a non-abrasive, solvent-free neutral soap or detergent mixed with pure water and a soft, clean cloth. Rinse well with pure lukewarm water. Dry with a soft, clean cloth to prevent water spotting.
- Never use harsh detergents, gasoline, benzene or acetone etc. and avoid cleaning the dome cover in direct sunlight or at elevated temperatures.





## Installation Guide

This Installation Guide provides instructions for installing AXIS Q6042/Q6044/Q6045 Mk II PTZ Dome Network Camera on your network. For other aspects of using the product, see the User Manual available at [www.axis.com](http://www.axis.com)

### Installation Steps

1. Make sure the package contents, tools and other materials necessary for the installation are in order. See *page 9*.
2. Study the hardware overview. See *page 10*.
3. Study the specifications. See *page 17*.
4. Install the hardware. See *page 18*.
5. Access the product. See *page 26*.

### Package Contents

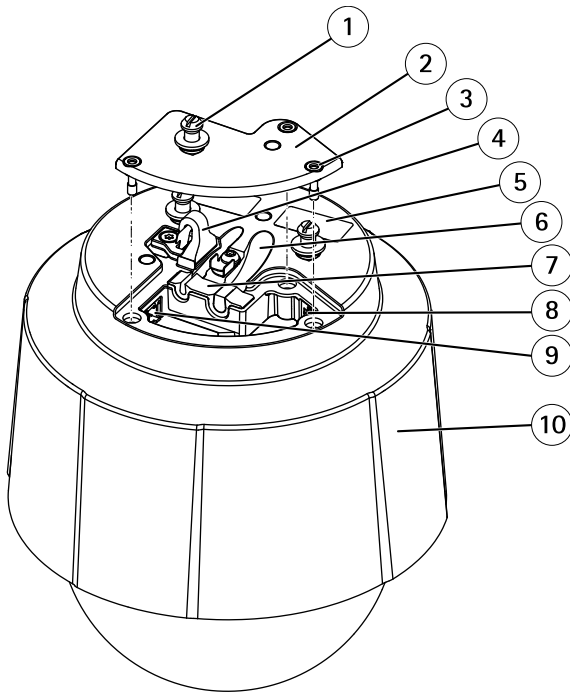
- AXIS Q6042/Q6044/Q6045 PTZ Dome Network Camera
- Clear transparent dome cover (premounted)
- Smoked transparent dome cover
- Mounting kit for hard ceilings and drop ceilings
- AXIS T8123 High PoE Midspan 1-port (LPS)
- Installation and Management Software CD
- Printed materials
  - Installation Guide (this document)
  - Drill template (2x)
  - Extra serial number label (2x)
  - AVHS Authentication key

### Optional Accessories

- AXIS T91A Mounting Accessories
- Multi-connector cable for connection of I/O, audio and power

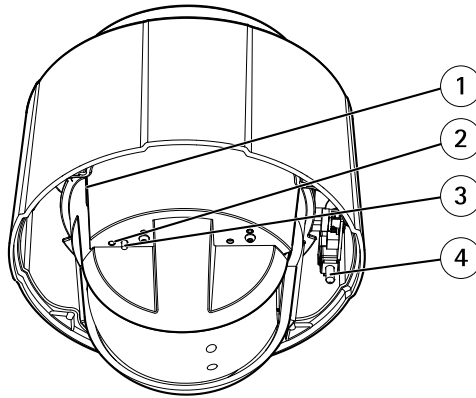
For information about available accessories, see [www.axis.com](http://www.axis.com)

## Hardware Overview



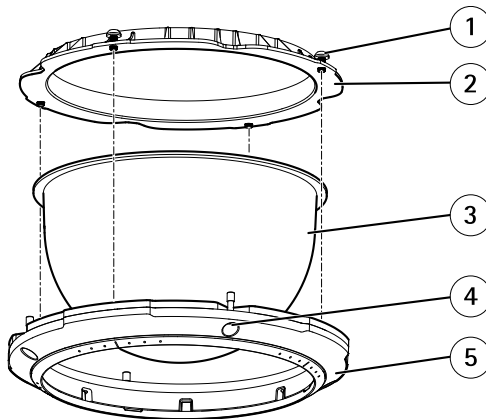
- 1 Unit holder (3x)
- 2 Camera base lid
- 3 Camera base lid screw T20 (3x)
- 4 Hook for safety wire
- 5 Part number (P/N) & Serial number (S/N)
- 6 Cable track (2x)
- 7 Foam gasket
- 8 Network connector (PoE+)
- 9 Multi-connector
- 10 Top cover

## Camera Unit



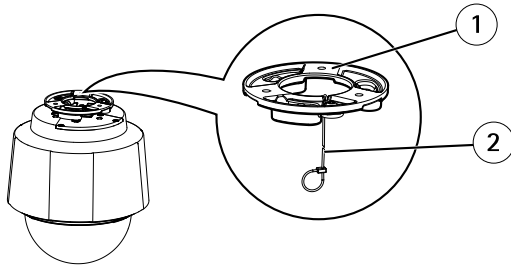
- 1 *SD card slot (SDHC)*
- 2 *Status LED indicator*
- 3 *Control button*
- 4 *Power button*

## Dome Cover



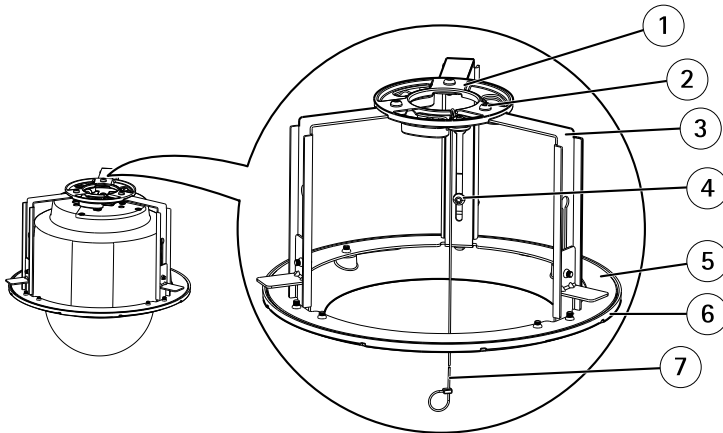
- 1 *Dome bracket screw T20 (4x)*
- 2 *Dome bracket*
- 3 *Dome cover*
- 4 *Dome ring screw T20 (4x)*
- 5 *Dome ring*

## Hard Ceiling Mount



- 1 Mounting plate
- 2 Safety wire

## Drop Ceiling Mount



- 1 Mounting plate
- 2 Mounting plate screw T20 (3x)
- 3 Bracket arm
- 4 Bracket arm screw T20 (3x) and washer (3x)
- 5 Bracket ring
- 6 Trim ring
- 7 Safety wire

### LED Indicators

LED	Color	Indication
Status	Unlit	Connection and normal operation
	Amber	Steady during startup. Flashes during firmware upgrade.
	Amber/red	Flashes amber/red if network connection is unavailable or lost.
	Red	Flashes red for firmware upgrade failure.
	Green	Shows steady green for 10 seconds for normal operation after restart.

### Midspan LED Indicators

LED	Color	Indication
Port	Unlit	No camera connected.
	Green	Steady when camera connected, normal operation.
	Green, flashing	Slow flash when overcurrent or short circuit condition on the port.
	Green, flashing	Fast flash when input voltage is out of range or other internal error.
AC	Green	Steady when AC power input connected.

### Connectors and Buttons

For specifications and operating conditions, see *page 17*.

#### Network Connector

RJ45 Ethernet connector with Power over Ethernet Plus (PoE+).

**NOTICE**

Use the supplied midspan.

## NOTICE

The product shall be connected using a shielded network cable (STP). All cables connecting the product to the network shall be intended for their specific use. Make sure that the network devices are installed in accordance with the manufacturer's instructions. For information about regulatory requirements, see *Electromagnetic Compatibility (EMC)* on page 2.

## I/O and Audio Connector

Terminal connector for connecting external equipment:

- Audio equipment
- Input/Output (I/O) devices

When connecting external equipment, a multi-connector cable (available from Axis) is required in order to maintain the product's IP rating. For more information, see *Multi-Connector Cable (sold separately)* on page 15.

## SD Card Slot

An SD card (not included) can be used for local recording with removable storage. For more information, see *Specifications* on page 17.

## NOTICE

To prevent corruption of recordings, the SD card should be unmounted before removal. To unmount, go to **Setup > System Options > Storage > SD Card** and click **Unmount**.

## Note

For SD card recommendations see [www.axis.com](http://www.axis.com)

## Control Button

The control button is used for:

- Resetting the product to factory default settings. See page 26.
- Connecting to an AXIS Video Hosting System service or AXIS Internet Dynamic DNS Service. For more information about these services, see the User Manual.

## Power Button

Press and hold the power button to temporarily power the product when the dome cover is removed. The power button is also used with the control button to reset the camera to factory default settings. See page 26.

## Multi-Connector Cable (sold separately)

When connecting external equipment to the Axis product, a multi-connector cable (available from Axis) is required in order to maintain the product's IP rating. The multi-connector cable can be purchased from your Axis reseller.

Connect the multi-connector cable to the product's multi-connector. To locate the multi-connector, see *Hardware Overview on page 10*. The cable provides the following connectors:

**Power connector** – 3-pin terminal block used for power input. See image below. Use a Safety Extra Low Voltage (SELV) compliant limited power source (LPS) with either a rated output power limited to  $\leq 100$  W or a rated output current limited to  $\leq 5$  A.

**Audio in (pink)** – 3.5 mm input for a mono microphone, or a line-in mono signal (left channel is used from a stereo signal).

**Audio out (green)** – 3.5 mm output for audio (line level) that can be connected to a public address (PA) system or an active speaker with a built-in amplifier. A stereo connector must be used for the audio out.

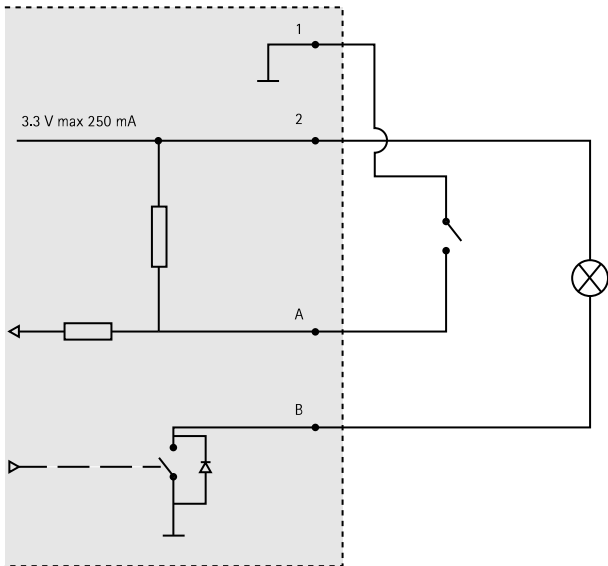
**I/O terminal connector** – Use with external devices in combination with, for example, tampering alarms, motion detection, event triggering, time lapse recording and alarm notifications. In addition to the 0 V DC reference point and power (DC output), the I/O connector provides the interface to:

- **Digital output** – For connecting external devices such as relays and LEDs. Connected devices can be activated by the VAPIX® Application Programming Interface, output buttons on the Live View page or by an Action Rule. The output will show as active (shown under **System Options > Port & Devices > Port Status**) if the alarm device is activated.
- **Digital input** – An alarm input for connecting devices that can toggle between an open and closed circuit, for example: PIRs, door/window contacts, glass break detectors, etc. When a signal is received the state changes and the input becomes active (shown under **System Options > Port & Devices > Port Status**).

Function	Pin	Notes	Specifications
0 V DC (-)	1		
DC output	2	Can be used to power auxiliary equipment. Note: This pin can only be used as power out.	3.3 V DC Max load = 250 mA

# AXIS Q604 Series

Configurable (Input or Output)	3-6	Digital input – Connect to pin 1 to activate, or leave floating (unconnected) to deactivate.	0 to max 40 V DC
		Digital output – Connected to pin 1 when activated, floating (unconnected) when deactivated. If used with an inductive load, e.g. a relay, a diode must be connected in parallel with the load, for protection against voltage transients.	0 to max 40 V DC, open drain, 100 mA

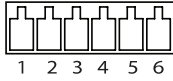


Connection diagram

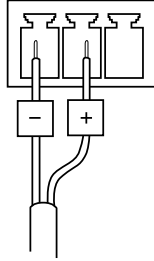
- A I/O configured as input
- B I/O configured as output



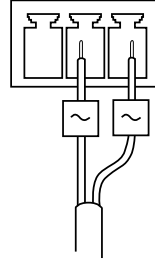
I/O connector



DC power input



AC power input



## Specifications

### Operating Conditions

The Axis product is intended for indoor use.

Product	Classification	Temperature	Humidity
AXIS Q6042 AXIS Q6044 AXIS Q6045	IEC 60721-4-3 Class 3K3, 3M3 IEC 60529 IP52	0 °C to 50 °C (32 °F to 122 °F)	10–85% RH (non-condensing)

### Power Consumption

#### NOTICE

Use a Safety Extra Low Voltage (SELV) compliant limited power source (LPS) with either a rated output power limited to  $\leq 100$  W or a rated output current limited to  $\leq 5$  A. Axis recommends using the supplied midspan.

Product	PoE+	DC	AC
AXIS Q6042	21.1 W	24–34 V DC, max. 17.4 W	20–24 V AC, max. 24.7 VA
AXIS Q6044	20.7 W	24–34 V DC, max. 17.9 W	20–24 V AC, max. 25.9 VA
AXIS Q6045	21.8 W	24–34 V DC, max. 17.8 W	20–24 V AC, max. 26.0 VA

## Connectors

### SD Card Slot

Supports SD cards with up to 64 GB of storage. For best recording performance, use an SDHC or SDXC card with speed class 10.

## Install the Hardware

### NOTICE

- The AXIS product shall be connected using a shielded network cable (STP). All cables connecting the product to the midspan shall be shielded (STP) and intended for their specific use. Make sure that the midspan is properly grounded. For information about regulatory requirements, see *Regulatory Information on page 2*.
- Mount the product with the dome cover facing downward.
- Be careful not to scratch, damage or leave fingerprints on the dome cover because this could decrease image quality. If possible, keep the protective plastic on the dome cover until the installation is complete.

The Axis product can be installed with the cables routed through or along the wall or ceiling.

Read all the instructions before installing the product. Some installation steps would benefit from being completed together because they require removal of the dome cover.

A hardware installation can include the following:

- The product is supplied with a clear dome cover (premounted). A smoked dome cover is available as an accessory. To replace the dome cover, see *page 18*.
- A standard or high capacity SD card (not included) can be used to store recordings locally in the product. To install an SD card, see *page 19*.
- To install the product using the hard ceiling mount, see *page 19*.
- To install the product using the drop ceiling mount, see *page 20*.
- To install the product using a compatible bracket from AXIS T91A Mounting Accessories (sold separately), see *page 23*.
- To install the supplied midspan, see *page 25*.

## Replace the Dome Cover

Replacing the dome cover is only necessary if you want to use the smoked dome cover or if the dome cover is scratched or damaged. Spare dome covers can be purchased from your Axis reseller

1. Loosen the dome ring screws and remove the dome cover.

2. Remove the dome bracket screws and remove the dome bracket and the dome cover from the dome ring.
3. Attach the dome bracket and the dome cover to the dome ring and tighten the screws (torque 1.2 Nm).
4. To install an SD card (not included), see *Install an SD Card on page 19*.
5. Attach the dome cover to the top cover and tighten the screws (torque 1.5 Nm).

### Install an SD Card

It is optional to install a standard or high capacity SD card (not included), which can be used for local recording with removable storage.

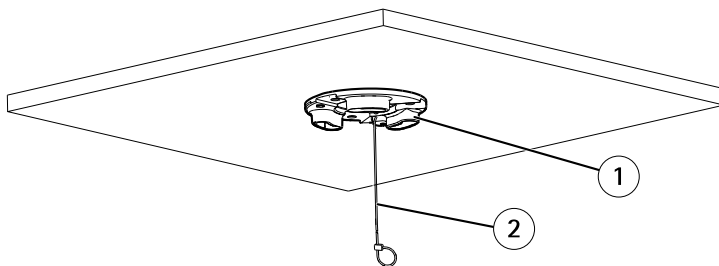
1. Loosen the dome ring screws and remove the dome cover.
2. Insert an SD card (not included) into the SD card slot.
3. Attach the dome cover to the top cover and tighten the screws (torque 1.5 Nm).

**NOTICE**

To prevent corruption of recordings, the SD card should be unmounted before it is ejected. To unmount, go to **Setup > System Options > Storage > SD Card** and click **Unmount**.

### Hard Ceiling Mount

1. Prepare the ceiling for installation of the mounting plate. The supplied drill template can be used to position the holes. Make sure to use drill bits, screws and plugs that are appropriate for the material.
2. Install the mounting plate. The arrow on the mounting plate will align with the logotype on the camera.



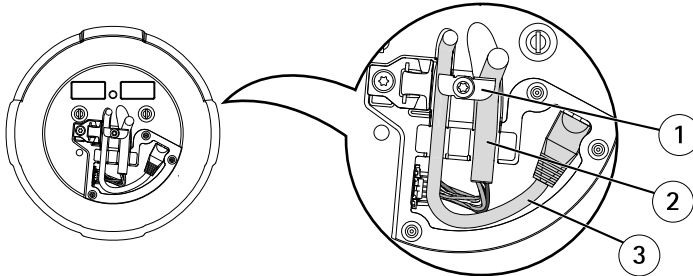
- 1 Mounting plate
- 2 Safety wire

3. Loosen the camera base lid screws and remove the camera base lid.
4. Secure the camera using the supplied safety wire.

5. Route and connect the network cable and the multi-connector cable (sold separately), if applicable, to the camera.

### NOTICE

- Be careful not to damage the cables when connecting them.
- Make sure that the foam gasket holes are aligned with the cable tracks and, if applicable, remove the cut-out piece for the multi-connector cable from the foam gasket.



- 1 Cable holders
- 2 Multi-connector cable (sold separately)
- 3 Network cable (not included)

6. Turn the cable holders to keep the cables in place.
7. Put the camera base lid back in its original position and tighten the screws (torque 1.5 Nm).
8. Slide the unit holders on the network camera into the slots in the mounting plate and rotate the camera unit.
9. Install the supplied midspan. See *page 25*.

## Drop Ceiling Mount

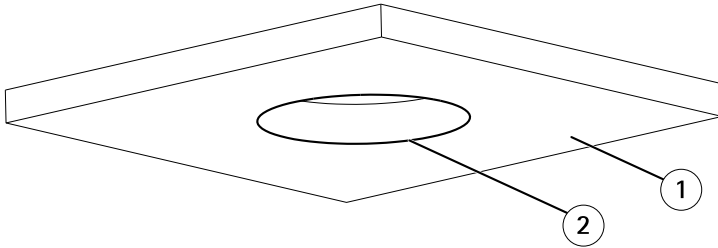
### WARNING

The combined weight of the camera and ceiling mount is approximately 3200 g (7.1 lb.). Make sure that the ceiling material is strong enough to support this weight.

### NOTICE

The ceiling tile should be 5–60 mm (0.2–2.4 in.) thick.

1. Remove the ceiling tile in which the drop ceiling mount is to be fitted.
2. Cut a hole in the ceiling tile for the drop ceiling mount. Use the supplied template to mark the position and cut around the template.

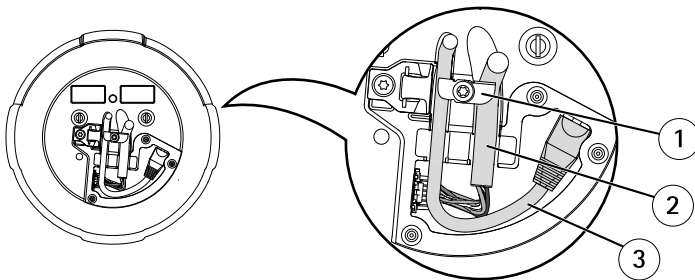


- 1 Ceiling tile
- 2 Hole diameter 225 mm (8.9 in.)

3. Assemble the ceiling bracket and attach it to the ceiling tile. Make sure the arrows on the mounting plate and the ceiling bracket are pointing in the same direction for the logotypes on the camera and the trim ring to align.
4. Tighten the bracket arm screws.
5. Loosen the camera base lid screws and remove the camera base lid.
6. Route and connect the network cable and the multi-connector cable (sold separately), if applicable, to the camera.

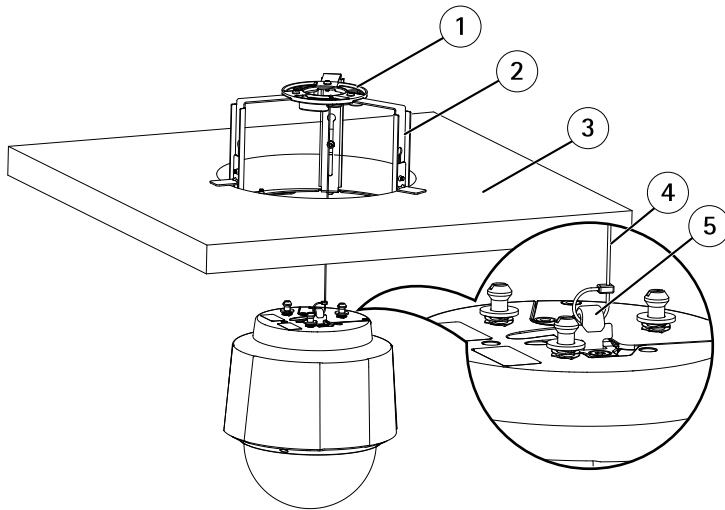
**NOTICE**

- Be careful not to damage the cables when connecting them.
- Make sure that the foam gasket holes are aligned with the cable tracks and, if applicable, remove the cut-out piece for the multi-connector cable from the foam gasket.



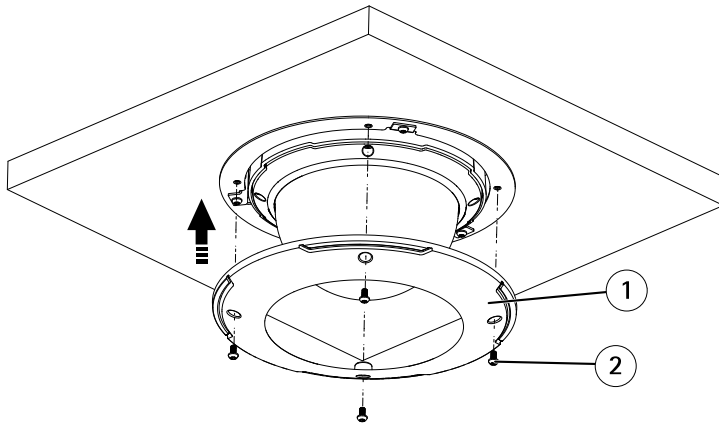
- 1 Cable holders
- 2 Multi-connector cable (sold separately)
- 3 Network cable (not included)

7. Turn the cable holders to keep the cables in place.
8. Put the camera base lid back in its original position and tighten the screws (torque 1.5 Nm).
9. Secure the camera using the supplied safety wire.



- 1 *Mounting plate*
- 2 *Ceiling bracket*
- 3 *Ceiling tile*
- 4 *Safety wire*
- 5 *Hook for safety wire*

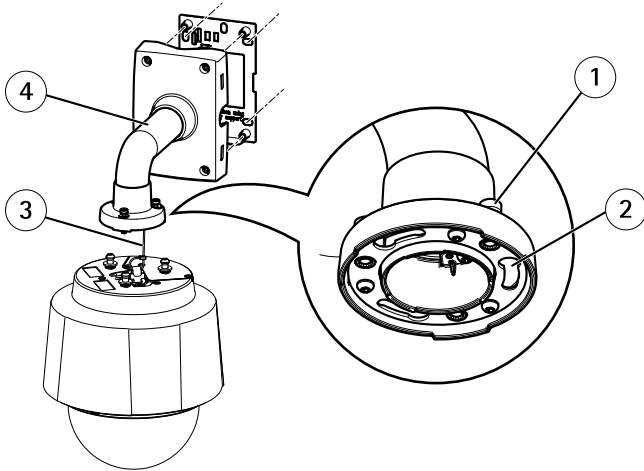
10. Slide the unit holders on the network camera into the slots in the mounting plate and rotate the camera unit.
11. Install the supplied midspan. See *page 25*.
12. Install the ceiling tile with the camera mounted on it.
13. Put the trim ring on the ceiling bracket and tighten the screws.



- 1 Trim ring
- 2 Trim ring screw T20 (4x)

### Bracket Mount (sold separately)

1. Install the selected bracket according to the instructions supplied with the bracket. If drilling is required, make sure to use drill bits, screws and plugs that are appropriate for the material.
2. Loosen the camera base lid screws and remove the camera base lid.
3. Route the network cable and the multi-connector cable, if applicable, through the holes in the mounting bracket.
4. Secure the camera using the supplied safety wire.

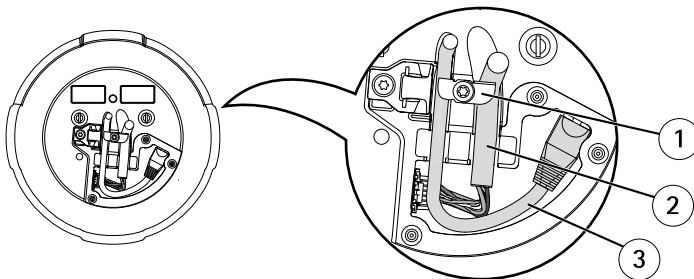


- 1 Screw T30 (3x)
- 2 Slot for unit holder (3x)
- 3 Safety wire
- 4 Wall bracket (mounting example)

- 5. Connect the network cable and the multi-connector cable (sold separately), if applicable, to the camera.

### NOTICE

- Be careful not to damage the cables when connecting them.
- Make sure that the foam gasket holes are aligned with the cable tracks and, if applicable, remove the cut-out piece for the multi-connector cable from the foam gasket.



- 1 Cable holders
- 2 Multi-connector cable (sold separately)
- 3 Network cable (not included)

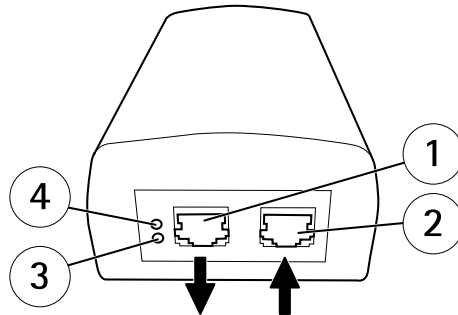


6. Turn the cable holders to keep the cables in place.
7. Put the camera base lid back in its original position and tighten the screws (torque 1.5 Nm).
8. Slide the unit holders on the network camera into the slots in the mounting bracket and rotate the camera unit.
9. Secure the network camera to the mounting bracket by tightening the screws.
10. Install the supplied midspan. See *page 25*.

## Install the Midspan

The supplied midspan enables Axis network video products with high power consumption to receive data and power over the same network cable.

1. Connect the midspan (data in) to the network switch using a network cable.
2. Connect the midspan (data and power out) to the camera using the network cable that has been connected to the camera.
3. Connect the midspan to a grounded (earthed) mains power outlet (100–240 V AC) using the supplied power cable.



- 1 *Data and power out (connect to Axis product)*
- 2 *Data in (connect to network)*
- 3 *AC input LED indicator*
- 4 *Port LED indicator*

4. Make sure that the LEDs on the midspan indicate the correct conditions. See *Midspan LED Indicators on page 13*.

### Access the Product

Use the tools provided on the Installation and Management Software CD to assign an IP address, set the password and access the video stream. This information is also available from the support pages on [www.axis.com/techsup/](http://www.axis.com/techsup/)

### Reset to Factory Default Settings

#### Important

Reset to factory default should be used with caution. A reset to factory default will reset all settings, including the IP address, to the factory default values.

#### Note

The installation and management software tools are available on the CD supplied with the product and from the support pages on [www.axis.com/techsup](http://www.axis.com/techsup)

To reset the product to the factory default settings:

1. Press and hold the control button and the power button for about 15–30 seconds until the status LED indicator flashes amber. See *Hardware Overview on page 10*.
2. Release the control button but continue to hold down the power button until the status LED indicator turns green.
3. Release the power button and assemble the product.
4. The process is now complete. The product has been reset to the factory default settings. If no DHCP server is available on the network, the default IP address is 192.168.0.90
5. Using the installation and management software tools, assign an IP address, set the password and access the video stream.

It is also possible to reset parameters to factory default via the web interface. Go to **Setup > System Options > Maintenance**.

### Further Information

The User Manual is available at [www.axis.com](http://www.axis.com)

Visit [www.axis.com/techsup](http://www.axis.com/techsup) to check if there is updated firmware available for your network product. To see the currently installed firmware version, go to **Setup > About**.

Visit Axis learning center [www.axis.com/academy](http://www.axis.com/academy) for useful trainings, webinars, tutorials and guides.

## Warranty Information

For information about Axis' product warranty and thereto related information, see [www.axis.com/warranty/](http://www.axis.com/warranty/)



# Errata

## Valid for AXIS Q60 Series

### About this document

This document is a correction of AXIS Q60 Series Installation Guide AXIS Q6042/Q6044/Q6045.

page 2

### Regulatory Information

#### USA

This equipment has been tested using an unshielded network cable (UTP) and found to comply with the limits for a Class A digital device, pursuant to part 15 of the FCC rules. This equipment has also been tested using a shielded network cable (STP) and found to comply with the limits for a Class A digital device, pursuant to part 15 of the FCC rules. These limits are designed to provide reasonable protection against harmful interference when the equipment is operated in a commercial environment. This equipment generates, uses, and can radiate radio frequency energy and, if not installed and used in accordance with the instruction manual, may cause harmful interference to radio communications. Operation of this equipment in a residential area is likely to cause harmful interference in which case the user will be required to correct the interference at his own expense.

page 14

### Network Connector

#### **NOTICE**

Due to local regulations or the environmental and electrical conditions in which the product is to be used, a shielded network cable (STP) may be appropriate or required. All cables connecting the product to the network and that are routed outdoors or in demanding electrical environments shall be intended for their specific use. Make sure that the network devices are installed in accordance with the manufacturer's instructions. For information about regulatory requirements, see *Regulatory Information*.

page 18

### Install the Hardware

#### **NOTICE**

Due to local regulations or the environmental and electrical conditions in which the product is to be used, a shielded network cable (STP) may be appropriate or required. All cables connecting the product to the network and that are routed outdoors or in demanding electrical environments shall be intended for their specific use. Make sure that the network devices are installed in accordance with the manufacturer's instructions. For information about regulatory requirements, see *Regulatory Information*.





Installation Guide  
AXIS Q604 Series  
© Axis Communications AB, 2014

Ver. M2.8  
Date: August 2014  
Part No. 59146



## Free Manuals Download Website

<http://myh66.com>

<http://usermanuals.us>

<http://www.somanuals.com>

<http://www.4manuals.cc>

<http://www.manual-lib.com>

<http://www.404manual.com>

<http://www.luxmanual.com>

<http://aubethermostatmanual.com>

Golf course search by state

<http://golfingnear.com>

Email search by domain

<http://emailbydomain.com>

Auto manuals search

<http://auto.somanuals.com>

TV manuals search

<http://tv.somanuals.com>