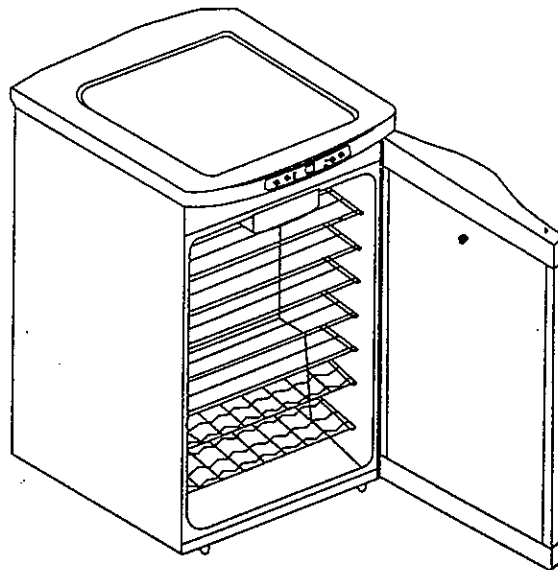


# Avanti<sup>®</sup>

## WINE COOLER INSTRUCTION MANUAL

Model Number:

WC600CL / WC601CL



**CAUTION:**

**BEFORE USE, PLEASE READ AND FOLLOW ALL SAFETY RULES AND OPERATING INSTRUCTIONS.**

Avanti has a policy of continuous improvement on its products and reserves the right to change materials and specifications without notice.

---

Avanti Products, A Division of The Mackle Co., Inc.  
P.O. Box 520604 - Miami, Florida 33152  
[www.avantiproducts.com](http://www.avantiproducts.com)

---

### Registration Information

Thank you for purchasing this fine Avanti product. Please fill out this card and return it within 100 days of purchase and receive these important benefits:

➤ **Protect your product:**

We will keep the model number and date of purchase of your new Avanti product on file to help you refer to this information in the event of an insurance claim such as fire or theft.

➤ **Promote better products:**

We value your input. Your responses will help us develop products designed to best meet your future needs.

------(detach here)-----

#### Avanti Registration Card

Name _____			Model # _____	Serial # _____
Address _____			Date Purchased _____	Store/Dealer Name _____
City _____	State _____	Zip _____	Occupation _____	
Area Code _____	Phone Number _____		<b>As Your Primary Residence, Do You:</b> <input type="checkbox"/> Own <input type="checkbox"/> Rent	

**Did You Purchase An Additional Warranty:**

Extended     Food Loss     None

**Reason For Choosing This Avanti Product:**

Please indicate the most important factors that influenced your decision to purchase this product.

- Price
- Product Features
- Avanti Reputation
- Product Quality
- Salesperson Recommendation
- Friend/Relative Recommendation
- Warranty
- Other \_\_\_\_\_

**Your Age:**

under 18     18-25     26-30  
 31-35     36-50     over 50

**Marital Status:**

Married     Single

**Is This Product Used In The:**

Home     Business

**How Did You Learn About This Product:**

Advertising     Product Features  
 In Store Demo     Personal Demo  
 Other \_\_\_\_\_

Comments \_\_\_\_\_  
\_\_\_\_\_  
\_\_\_\_\_

---

## HELP US HELP YOU...

### Read this guide carefully.

It is intended to help you operate and maintain your new wine cooler properly.

Keep it handy to answer your questions. If you don't understand something or you need more help, please call:

**Avanti Customer Service  
800-220-5570**

Keep proof of original purchase date (such as your sales slip) with this guide to establish the warranty period.

### **CAUTION:**

THIS WINE COOLER IS NOT DESIGNED FOR THE STORAGE OF MEDICINE OR OTHER MEDICAL PRODUCTS.

### Write down the model and serial numbers.

You'll find them on a label located on the left back side of the unit.

Please write these numbers here:

\_\_\_\_\_

Date of Purchase

\_\_\_\_\_

Model Number

\_\_\_\_\_

Serial Number

Use these numbers in any correspondence or service calls concerning your wine cooler.

If you received a damaged wine cooler, immediately contact the dealer (or builder) that sold you the wine cooler.

Save time and money. Before you call for service, check the Problem Solver Guide. It lists causes of minor operating problems that you can correct yourself.

---

## IF YOU NEED SERVICE

We're proud of our service and want you to be pleased. If for some reason you are not happy with the service you receive, here are some steps to follow for further help.

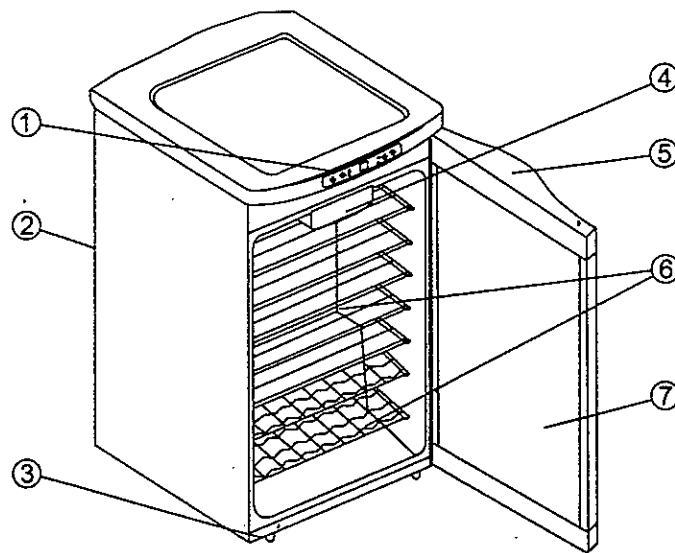
FIRST, contact the people who serviced your appliance. Explain why you are not pleased. In most cases, this will solve the problem.

NEXT, if you are still not pleased, write all the details, including your telephone number, and send to:

**Customer Service  
Avanti Products  
10880 NW 30 Street  
Miami, FL 33172**

## PARTS AND FEATURES

### REVERSIBLE DOOR



1. DIGITAL READOUT
2. FLUSH BACK DESIGN
3. LEVELING LEGS
4. INTERIOR LIGHT
5. LOCK ASSEMBLY
6. CHROME SHELVES
7. GLASS DOOR

## Table of Contents

Registration Information _____	2
Help Us Help You _____	3
Parts and Features _____	4
Important Safety Instructions _____	6
Installation Instructions _____	6
Before Using Your Wine Cooler _____	6
Installation of Your Wine Cooler _____	6
Reversing the Door Swing of Your Wine Cooler _____	7,8
Operating Your Wine Cooler _____	9
Using Your Buttons on the Display Panel _____	9
Care and Maintenance _____	10
Changing Your Light Bulb _____	10
Cleaning Your Wine Cooler _____	10
Maintenance of Your Wine Cooler _____	10
Vacation Time _____	11
Moving Your Wine Cooler _____	11
Troubleshooting Guide _____	11
Service For Your Wine Cooler _____	12
Your Avanti Products Warranty _____	13
Wiring Diagram _____	14
Spanish Section _____	15, 16

## Important Safety Instructions

### ⚡ WARNING ⚡

To reduce the risk of fire, electrical shock, or injury when using your appliance, follow these basic precautions:

- Read all instructions before using the appliance.
- **DANGER or WARNING:** Risk of child entrapment.
- Child entrapment and suffocation are not problems of the past. Junked or abandoned appliances are still dangerous. . . even if they will "just sit in the garage a few days."
- **Before you throw away your old refrigerator or freezer:** Take off the doors. Leave the shelves in place so that children may not easily climb inside.
- Never allow children to operate, play with, or crawl inside the appliance.
- Never clean appliance parts with flammable fluids. The fumes can create a fire hazard or explosion.
- Do not store or use gasoline or any other flammable vapors and liquids in the vicinity of this or any other appliance. The fumes can create a fire hazard or explosion.

-Save these instructions-

## INSTALLATION INSTRUCTIONS

### > Before Using Your Wine Cooler

- Remove the exterior and interior packing, including protective film on door panels and digital display.
- Check to be sure the following parts are included:
  - 7 slide out shelves (5 hold eight bottles and 2 hold six bottles)
  - 2 Keys
  - Instruction manual
- Before connecting the appliance to the power source, let it stand upright for approximately 2 hours. This will reduce the possibility of a malfunction in the cooling system from handling during transportation.
- Clean the interior surface with lukewarm water using a soft cloth.

### > Installation of Your Wine Cooler

- Place your appliance on a floor that is strong enough to support the appliance when it is fully loaded. To level your appliance, adjust the legs at the front of the appliance.
- For recessed installation allow ½ inch of space between the sides of the appliance as well as the back and top. This will allow proper air circulation.
- Locate the appliance away from direct sunlight and sources of heat (stove, heater, radiator, etc.). Direct sunlight may affect the acrylic coating and heat sources may increase electrical consumption. Extreme cold ambient temperatures may also cause the appliance not to perform properly.
- Avoid locating the appliance in moist areas. Too much moisture in the air will cause frost to form quickly on the evaporator.
- Plug the appliance into an exclusive properly installed-grounded wall outlet. Do not under any circumstances cut or remove the third (ground) prong from the power cord. Any questions concerning power and or grounding should be directed toward a certified electrician or an authorized Avanti Products service center.

**⚡ Warning ⚡**

Improper use of the grounded plug can result in the risk of electrical shock. If the power cord is damaged, have it replaced by an authorized Avanti Products service center.

**Reversing the Door Swing of Your Wine Cooler**

This wine cooler has the capability of either opening the door from the left or right side. The unit is delivered to you with the door opening from the left side. Should you desire to reverse the opening direction, please follow these instructions.

**NOTE: Before reversing the door, the power must be shut off.**

All parts removed must be saved to do the reinstallation of the door.

1. Remove the two plugs (16) located in the back of top cover.
2. Remove the two screws (15) holding the top cover (12).
3. Lift the top cover up slightly from the back and then push it forward in order to unhook the front of the top cover so it can be detached from the lock plate.
4. Hold the top cover and keep it from dropping to the ground because the wires are (14) connected to the controller box underneath the top cover.
5. Remove the two screws (11) holding the controller box cover (17).
6. Remove the controller box cover (17) and unplug the connector (13) from the socket (18) on the PCB board (10).
7. Place the top cover (12) on a padded surface to prevent scratching it.
8. Remove the upper right hinge (8), holding the door in place.
9. Lift the door and place it on a padded surface to prevent scratching it.
10. Lay the unit on its back against a solid surface at an angle of no less than 45 degrees.
11. Remove the upper hinge pin (9) from the hinge (8).
12. Replace the right upper hinge (8) to its original location.
13. Remove the two bolts (2) that hold the lower right hinge (5).
14. Remove the front leg (3) and the lower hinge pin (4) from the lower hinge (5).
15. Save the lower hinge assembly for later use.
16. Remove the lower left hinge (1) and transfer it to the opposite side, reversing the direction 180 degrees, where the lower right hinge (5) was previously located.
17. Transfer the lower hinge previously removed to the opposite side, where the left lower hinge (1) was located, reversing the direction 180 degrees. Then insert the front leg (3), the two bolts and the pin (4).
18. While holding the door in the closed position, secure the lower hinge on the left side of the frame, by screwing the bolts (2) in. Do not tighten until door is level.
19. Remove the upper left hinge (7) and insert the top hinge pin (9).
20. Replace the upper left hinge (7) with pin (9) to secure the door.
21. Plug the connector (13) to the socket (18) on the PCB (10) board.
22. Replace the controller box cover (12) by inserting the two screws previously removed in step 5.
23. Place the top cover by inserting all two screws previously removed in step 2.
24. Insert all the plugs previously removed in step 1.

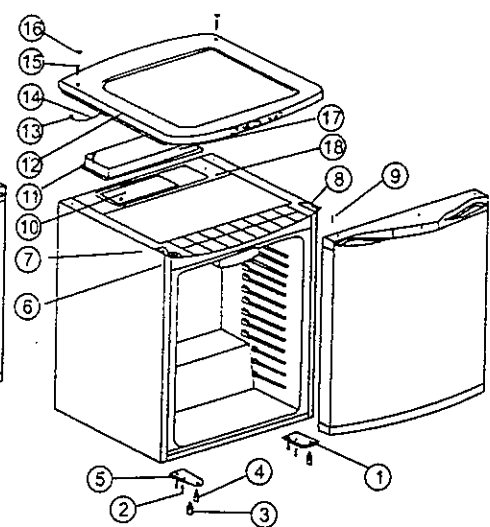
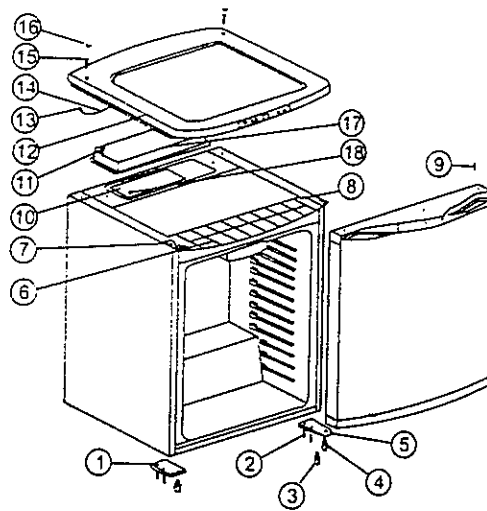


FIGURE I  
Position prior to door reversal

1. Lower left hinge
2. Bolt
3. Front leg
4. Lower hinge pin
5. Lower right hinge
6. Lock plate
7. Upper left hinge
8. Upper right hinge
9. Upper hinge pin

FIGURE II  
Position after door reversal

10. PCB
11. Screw
12. Top cover
13. Connector
14. Wiring
15. Screw
16. Plugs
17. Controller box cover
18. Socket



## IMPORTANT SAFEGUARDS

Do not store food in wine cooler, as interior temperature may not get cool enough to prevent spoilage. As a natural result of condensation, in summer months or areas of high humidity, the glass door may build up moisture on the outside. Just wipe it away.

## OPERATING YOUR WINE COOLER

It is recommended you install the wine cooler in a place where the ambient temperature is between 72-78 degrees Fahrenheit. If the ambient temperature is above or below recommended temperatures, the performance of the unit may be affected. For example, placing your unit in extreme cold or hot conditions may cause interior temperatures to fluctuate. The range of 45-65 degrees Fahrenheit may not be reached.

If the interior light is left on, the temperature inside the wine cooler will be higher.





### Recommended Temperatures for Chilling Wine

Red Wines:	60-65° F
Dry/White Wines	50-59° F
Sparkling Wines	45-49° F
Rose Wines	49-51° F

The above temperatures may fluctuate depending on whether or not the interior bulb is on or off or whether the bottles are located on the upper/middle or lower section.



### HOW TO USE THE BUTTONS ON THE DISPLAY PANEL:

You can set the temperature as you desire by pushing the button  or . When you push the two buttons for the first time, the LED readout will show the original temperature set at previous time (the temperature preset at the factory is 50° F). The temperature that you desire to set will increase 1° F or 1° C if you push the  once, on the contrary the temperature will decrease 1° F or 1° C if you push the  once.

When you store mostly red wines, the temperature which you control by pushing the above two buttons need to be set at between 60 to 65° F and the LED lamp beside "RED" will be lit red.

When you store mostly white wines, the temperature need to be set at between 50 to 59° F and the LED lamp beside "WHITE" will be lit green.

When you store mostly sparkling wines, the temperature need to be set at between 45 to 49° F and the LED lamp beside "SPARKLING" will be lit amber.

You can select temperature display setting from Fahrenheit to Celsius degrees by pushing the button marked F/C. Fahrenheit degrees indicator will appear in red color in the display marked F° and the Celsius degrees indicator will appear in yellow color in the display marked C°.

You can turn the interior light on or off by pushing the button marked "bulb" symbol.

### NOTE:

When you use the wine cooler for the first time or restart the wine cooler after having been shut off for a long time, there could be a few degrees variance between the temperature you select and the one indicated on the LED readout. This is normal and it is due to the length of the activation time. Once the wine cooler is running for a few hours everything will be back to normal.

Also, there is a 6 to 8° F variance between the top and bottom shelves of the wine chiller. Therefore, if you have set the wine chiller for red wine only and the temperature reads 60° F and you want to place a mix of white and red wines, you may want to place the white wine bottles on the bottom shelves and the red wines on the top shelves.

### ➤ SHELVES:

Shelving is chrome plated. To accommodate different size bottles, they can be moved up or down by sliding them out the tracks first. Shelves are designed to accommodate maximum amount of bottles. (See page 6)

### ➤ DOOR LOCK:

For safety and security, your unit is equipped with a door lock and key. Door will not lock until the key is removed. This eliminates the risk of accidental child entrapment. Two keys are included with your lock.

## CARE AND MAINTENANCE

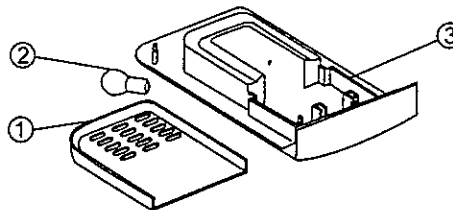
### ➤ CHANGING THE LIGHT BULB

#### NOTE:

All parts removed must be saved to do the replacement of the light bulb.

Before removing the light bulb, either unplug the refrigerator or disconnect the electricity leading into the refrigerator at the main power supply. Failure to do so could result in electrical shock or personal injury.

- Push the light switch "OFF".
- Remove the light bulb cover (1) by pulling the bottom end of the light bulb cover gently.
- Unscrew the bulb (2).
- Replace with a 10 watt-refrigerator bulb that is the same shape and size.
- Replace the light bulb cover and tighten screw (1).



1. Bulb cover                      2. Bulb  
3. Housing

Note: Light bulb should not exceed 15 watts.

### ➤ Cleaning Your Wine Cooler

- Unplug the wine cooler and remove the bottles.
- Wash the inside with a warm water and baking soda solution. The solution should be about 2 tablespoons of baking soda to a quart of water.
- Wash the shelves with a mild detergent solution.
- The outside of the wine cooler should be cleaned with mild detergent and warm water.
- It may also be necessary to periodically wipe the bottom part of the storage area, as the wine cooler is designed to retain humidity, and condensation may collect there.

### ➤ Maintenance of Your Wine Cooler

#### • Power Failure

Most power failures are corrected within a few hours and should not affect the temperature of your wine cooler if you minimize the number of times the door is opened. If the power is going to be off for a longer period of time, you need to take the proper steps to protect your contents.

### ➤ Vacation Time

## SERVICE FOR YOUR WINE COOLER

We are proud of our customer service organization and the network of professional service technicians that provide service on your Avanti appliances. With the purchase of your Avanti appliance, you can have the confidence that if you ever need additional information or assistance, the Avanti Products Customer Service team will be here for you. Just call us toll-free.

### AVANTI PRODUCTS CUSTOMER SERVICES

Product Information 800-323-5029	Whatever your questions are about our products, help is available.
Part Orders 800-220-5570	You may order parts and accessories that will be delivered directly to your home. You may order these items by personal check, money order, Master Card, or Visa.
In-Home Repair Service 800-220-5570	An Avanti Products authorized service center will provide expert repair service, scheduled at a time that is convenient for you. Our trained servicers know your appliance inside and out.

## SERVICE FOR YOUR WINE COOLER

We are proud of our customer service organization and the network of professional service technicians that provide service on your Avanti appliances. With the purchase of your Avanti appliance, you can have the confidence that if you ever need additional information or assistance, the Avanti Products Customer Service team will be here for you. Just call us toll-free.

### AVANTI PRODUCTS CUSTOMER SERVICES

Product Information 800-323-5029	Whatever your questions are about our products, help is available.
Part Orders 800-220-5570	You may order parts and accessories that will be delivered directly to your home. You may order these items by personal check, money order, Master Card, or Visa.
In-Home Repair Service 800-220-5570	An Avanti Products authorized service center will provide expert repair service, scheduled at a time that is convenient for you. Our trained servicers know your appliance inside and out.

**YOUR Avanti Products WARRANTY**

Staple your sales receipt here. Proof of original purchase date is needed to obtain service under warranty.

### **WHAT IS COVERED**

#### **LIMITED ONE-YEAR WARRANTY**

For one year from the date of purchase by the original owner, Avanti Products will, at its option, repair or replace any part of the wine cooler which proves to be defective in material or workmanship under normal use. During this period Avanti Products will provide all parts and labor necessary to correct such defects free of charge, so long as the appliance has been installed and operated in accordance with the written instructions in this manual. In rental or commercial use, the warranty period is 90 days. All Avanti Appliances of 3.5 cubic foot capacity or less must be brought/sent to the appliance service shop for repair.

#### **LIMITED SECOND THROUGH FIFTH YEAR WARRANTY**

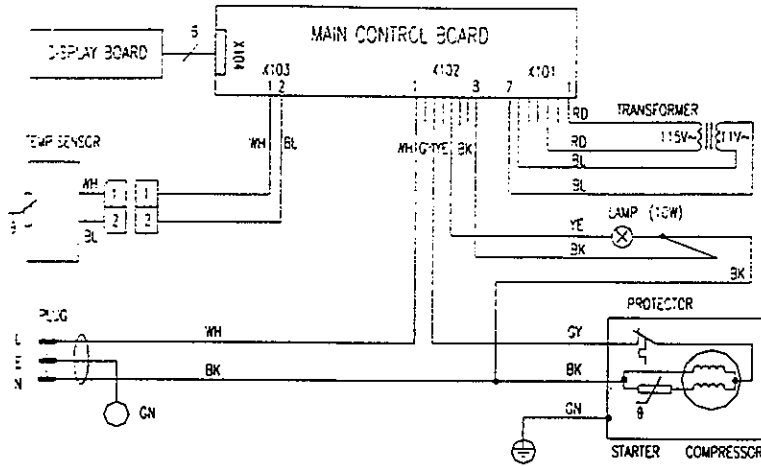
For the second through the fifth year from date of original purchase, Avanti Products will provide a replacement compressor free of charge due to a failure. You are responsible for the service labor and freight charges. In rental or commercial use, the limited compressor warranty is one year and nine months. Cost to move the appliance to the servicers' shop and back to the user's home, as may be required, are the user's responsibility.

---

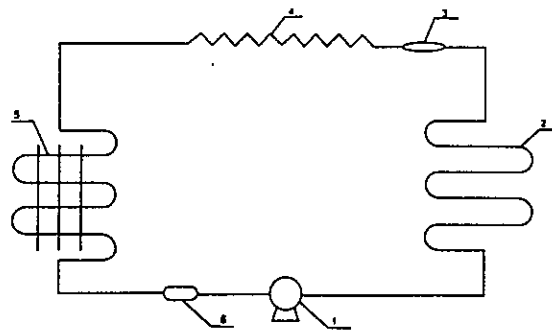
### **WHAT IS NOT COVERED**

- Content losses of food or other, due to spoilage.
- Incidental or consequential damages.
- Parts and labor costs for the following will not be considered as warranty:
  - Evaporator doors, door springs, and/or frames.
  - Inner door panels, door shelves, door rails, and/or door supports.
  - Chest freezer lid liners.
  - Vegetable crispers.
  - Light bulbs and/or plastic housing.
  - Plastic cabinet liners.
  - Punctured evaporator that voids the warranty on the complete sealed system.
- Repairs performed by unauthorized servicers.
- Service calls that do not involve defects in material or workmanship such as customer education, door reversal, or proper installation.
- Service calls that are related to external problems, such as abuse, misuse, inadequate electrical power, accidents, fire, floods, or acts of God.
- Replacement of house fuses or resetting circuit breakers.
- Failure of the product if it is used for other than its intended purpose.
- This warranty does not apply outside the continental U.S.A.

## WIRING DIAGRAM



## COOLING SYSTEM



- 1.Compressor    2.Condenser    3.Filter and Drier    4.Capillary
- 5.Evaporator    6.Accumulator

## PRECAUCIONES

No guarde alimentos en el refrigerador de vinos ya que la temperatura no es lo suficientemente baja para que los alimentos se preserven en buen estado. La parte externa de la puerta de vidrio puede mostrar signos de humedad durante los meses de verano o en áreas de alta humedad, esto es el resultado natural de la condensación.

## INSTRUCCIONES PARA LA INSTALACION

1. Seleccione un lugar donde el piso sea fuerte y esté nivelado. Si la unidad no está nivelada, ajuste las patas niveladoras delanteras.
2. Esta unidad puede ser empotrada. Asegúrese que quede media pulgada (1 centímetro) de distancia a cada lado en la parte trasera y superior entre la unidad y la pared.
3. No instale la unidad donde la temperatura sea menor a 65°F (18°C).
4. No instale la unidad cerca de una fuente de calor. Evite los rayos directos del sol.

Después de colocar la unidad en el lugar deseado y cada vez que la cambie de lugar, espere por lo menos 30 minutos antes de enchufar la unidad al tomacorriente. El refrigerante interno debe de asentarse después que la unidad ha sido movida.

## USANDO SU REFRIGERADOR DE VINOS

Le recomendamos que instale su refrigerador de vinos en un lugar donde la temperatura esté entre los 72° a 78° Fahrenheit. Si la temperatura ambiental es mayor o menor que la temperatura recomendada, el funcionamiento de la unidad podría ser afectado. Por ejemplo si mantiene la unidad en condiciones de calor o frío extremo, puede ocasionar que la temperatura interna fluctúe y que no se alcance el rango de 45° a 65° Fahrenheit.

**La luz interior se controla manualmente y no funciona al abrir ni cerrar la puerta. Para encender la luz presione el botón que enseña un "bombillo". Si deja encendida la luz interior, la temperatura será más alta.**

## TEMPERATURA RECOMENDADA PARA ENFRIAR EL VINO

Vino tinto:	59-65°F
Vino blanco / seco	49-56°F
Vino blanco / espumante	45-49°F
Vino rosé / Zinfandel	49-51°F

Estas temperaturas pueden fluctuar dependiendo si la luz interna está encendida o si las botellas son colocadas en la sección superior, media o inferior.



## Free Manuals Download Website

<http://myh66.com>

<http://usermanuals.us>

<http://www.somanuals.com>

<http://www.4manuals.cc>

<http://www.manual-lib.com>

<http://www.404manual.com>

<http://www.luxmanual.com>

<http://aubethermostatmanual.com>

Golf course search by state

<http://golfingnear.com>

Email search by domain

<http://emailbydomain.com>

Auto manuals search

<http://auto.somanuals.com>

TV manuals search

<http://tv.somanuals.com>