



(Front View)



(Rear View)

C12BT60

FEATURES

- Professional quality sound reproduction at a competitive price
- Includes factory-installed line-matching transformer
- Ideal for multi-purpose commercial, industrial and institutional use
- Mounts a wide selection of Atlas Sound baffles
- Coaxial loudspeaker with 12" diameter low frequency and 1" diameter high frequency reproducer

APPLICATIONS

Enhance audio quality and listener appreciation of engineered sound systems with the superior sound reproduction and power handling capacity of the Atlas Sound Model C12BT60. Professional quality 12" coaxial loudspeaker with factory installed 60-watt line-matching transformer is ideal for application in restaurants, night clubs, lounges, theaters, airports, waiting rooms, shopping malls, houses of worship or any commercial, industrial and institutional application, with high ceilings.

GENERAL DESCRIPTION

Atlas Sound Model C12BT60 is a professional quality coaxial loudspeaker for use where full range music and voice reproduction are desired. Model C12BT60 combines a 12" diameter low frequency reproducer and a 1" diameter high frequency, post-mounted reproducer. The unit features a curvilinear, treated paper cone for lower harmonic distortion and a built-in crossover network for determining proper frequency selection between the two reproducers. Both the low frequency reproducer and the tweeter feature permanently aligned voice coils (1.5" and 1" diameter, respectively) to assure distortion free performance.

The copper voice coils have an anodized aluminum former. The competitively priced unit assures smooth frequency response in a high power handling mode. For best results, enclosures with a volume of 2 cu. ft. or greater (including Atlas Sound Models Q4412 or Q4612) are recommended. Additional Q Series enclosure models with a volume up to 6 cu. ft. will satisfy requirements with different low frequency emphasis. The loudspeaker will also provide outstanding performance when front or rear mounted in vented or sealed enclosures. A factory installed 60 watt line transformer is included with the package, however, the transformer can be easily bypassed for 8 ohm applications. Amplifier output wiring connections to the loudspeaker are "pig tail" leads loudspeaker weight is 10.5 lbs (4.76kg).

ARCHITECT & ENGINEER SPECIFICATIONS

Frequency response range shall be 68Hz to 15kHz, ±3dB in full space anechoic environment when mounted in a 2 cu. ft. enclosure. Sensitivity shall be 95dB at 1 watt, 1 meter. Voice coil impedance shall be 8 ohm (nominal). Low frequency voice coil diameter shall be 1 1/2" (38mm). High frequency voice coil diameter shall be 1" (25mm). The maximum depth of the loudspeaker shall not exceed 4.1875" (106mm). Basket shall be made of cast metal. Loudspeaker shall be capable of front and rear mounting in sealed or vented enclosures and weigh 10.5 lbs (4.76kg). The low frequency reproducer cone shall be a full 12" (305mm) in diameter and the high frequency reproducer diaphragm shall be 1" (25mm) in diameter. The woofer shall have a 30oz. (.85kg) ceramic magnet. The tweeter shall have a 10 oz. (.283kg) ceramic magnet. The two reproducer sections shall be coupled through a built-in crossover network. The crossover frequency shall be at 2750Hz. Conical dispersion shall be 90 degrees at 2kHz. Unit shall include factory-installed line transformer. Transformer primary voltage shall be 70.7V or 100V with a frequency response range of 33Hz to 21kHz (±2dB) and power taps at 7.5, 15, 30 & 60 watts. Insertion loss shall not exceed 1dB.

12" Full Range Coaxial Speaker System	
Frequency Response (±10dB)	40Hz to 20kHz
Frequency Response (±3dB)	68Hz to 15kHz
*Power Handling	100 Watts
**Sensitivity 1W/1M	95dB
Max. SPL @ 1M (Transformer Limited @ 60W)	113dB
Nominal Impedance	8ohm
Crossover Frequency	2750Hz
***Dispersion Angle	90 Degrees
LF TRANSDUCER	
Basket Material	Cast Aluminum
Cone Material	Treated Paper
Surround Material & Dampening	Treated Accordion Cloth Edge
Voice Coil Diameter	1.5" (38mm)
Magnet Weight	30 oz. (.85kg)
HF TRANSDUCER	
Diaphragm Material	Treated Laminated Silk
Voice Coil Diameter	1" (25mm)
Voice Coil Former Material	Aluminum
Voice Coil Material	Copper
Magnet Weight	10 oz. (.283g)
Top Plate Thickness	0.125" (3mm)
Transformer	Frequency Response: 33Hz to 21kHz (±2dB) Primary Taps @ 70.7V: 60,30,15,7.5 Maximum Insertion Loss 1dB
Diameter & Depth	12.875" (327mm) Dia. & 4.1875" (106mm) Deep
Mounting Dimensions	11.625" (295mm) Bolt Circle
Net Weight (Less Transformer)	10.5 lbs (4.76kg)
Warranty	5 Years
Recommended Enclosure For Maximum Low Frequency Performance****	Atlas Sound Q4412 (2 Ft ³ , .054m ³)

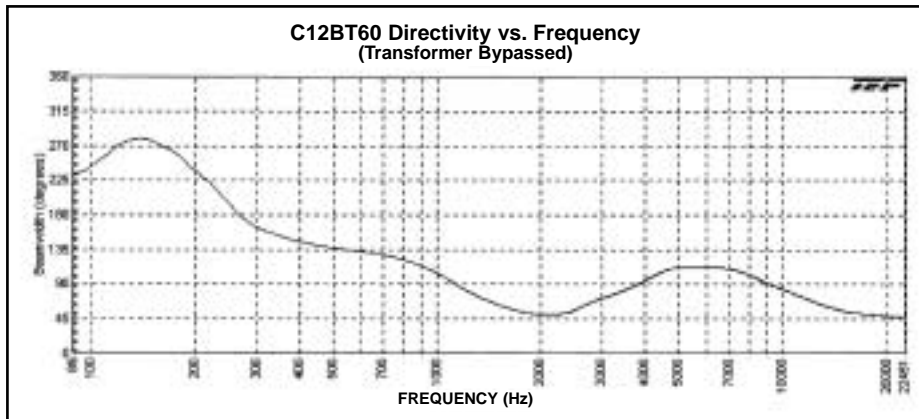
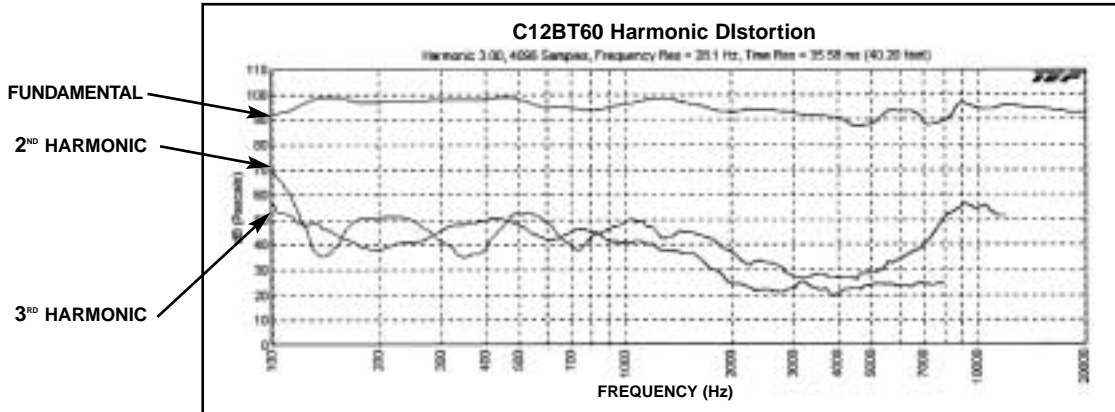
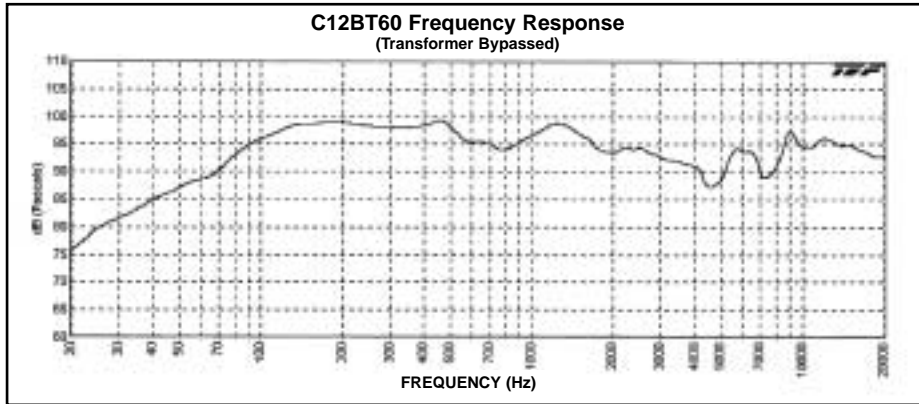
* Rated power based on EIA specification -
 ** Averaged from 500 Hz to 2.5 kHz
 *** Dispersion angle = 6dB down point at 2 kHz
 **** When used in full space anechoic with the Atlas Sound Q4412 two cu. ft. enclosure the C12BT60 operates within a frequency response range of 68 Hz - 20 kHz (±3dB). Sensitivity is 95dB (1W/1M). Dispersion angle is 90° @ 2kHz.

Specifications subject to change without notice

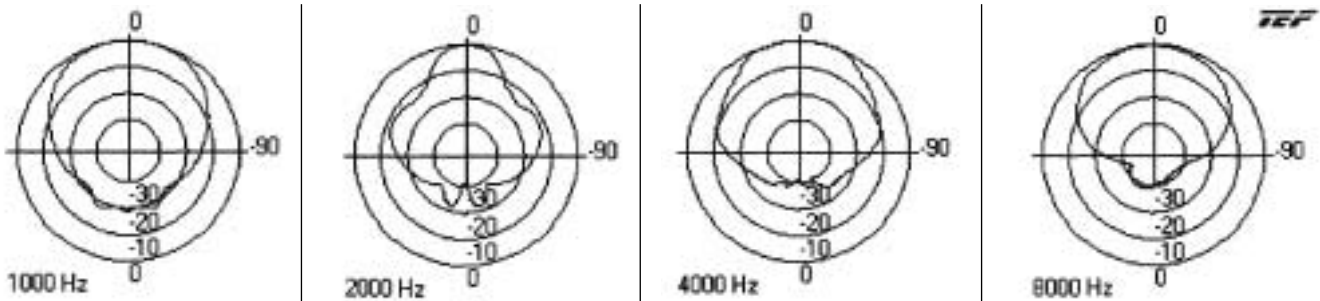


1601 JACK MCKAY BLVD. / ENNIS, TEXAS 75119 U.S.A.
 TELEPHONE: (800) 876-3333 / FAX (800) 765-3435

AtlasSound.com



C12BT60 POLARS



Specifications subject to change without notice



1601 JACK MCKAY BLVD. / ENNIS, TEXAS 75119 U.S.A.
TELEPHONE: (800) 876-3333 / FAX (800) 765-3435

AtlasSound.com

Free Manuals Download Website

<http://myh66.com>

<http://usermanuals.us>

<http://www.somanuals.com>

<http://www.4manuals.cc>

<http://www.manual-lib.com>

<http://www.404manual.com>

<http://www.luxmanual.com>

<http://aubethermostatmanual.com>

Golf course search by state

<http://golfingnear.com>

Email search by domain

<http://emailbydomain.com>

Auto manuals search

<http://auto.somanuals.com>

TV manuals search

<http://tv.somanuals.com>