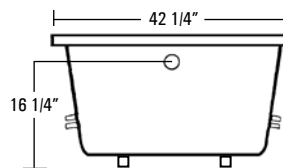
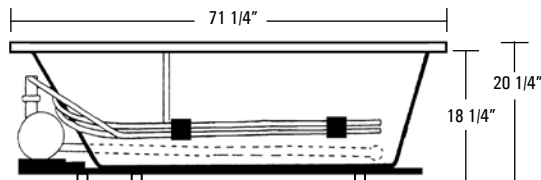
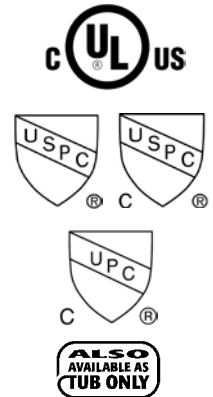
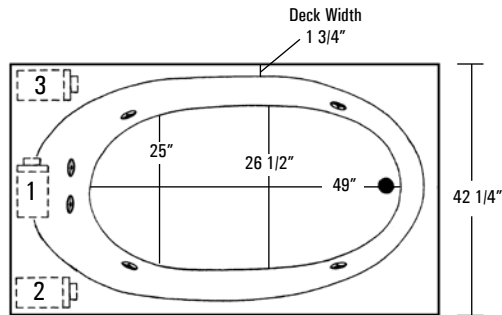


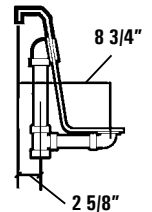
SYMPHONY 5

AQUATIC

SYMPHONY SERIES MODEL # AI7242SY / AI7242SYTO (Tub Only)



Rough-In Plumbing Measurements



SPECIFICATIONS:

GENERAL SPECIFICATIONS:

Tub Size	71 1/4" x 42 1/4" x 20 1/4"
	181 cm x 107 cm x 51 cm
Bathing Well	49" long
	26 1/2" wide
	18" interior depth
Maximum Water Depth	12 1/2"
Shipping Weight	176 lbs. / 80 kg
Tub Weight Filled	717 lbs. / 325 kg
Tub Only Weight	126 lbs. / 57 kg
Gallons to Overflow	71 gal. / 269 L
Gallons to Operate	57 gal. / 216 L

ELECTRICAL SPECIFICATIONS:

Pump	.80 HP; 5.5 AMP; 110V
Requirement	15 AMP; 110V, separate circuit required protected w/ Class A GFCI

STANDARD EQUIPMENT:

- 6 Hydrotherapy Jets including:**
- 2 Spinning Back Jets
 - 4 Directional Jets
- Aquatic Quality Features:**
- .80 HP Run-Dry Pump
 - Bath-Side On/Off Air Button
 - "Quiet Pad" Anti-Vibration Pump Mount for Quiet Pump Operation
 - Heat-bent Rigid PVC Piping for Optimum Sanitary Conditions
 - Color Matched Trim and Jets (Select Colors)
 - Slip Resistant Floor
 - Durable, Easy to Clean, Lucite® Cast Acrylic Surface
 - Available in 8 Standard No-Charge Colors
- UL & IAPMO Listed, Factory Tested**
Limited 10 Year Warranty

OPTIONAL EQUIPMENT:

- Comfort Pillow--Oval or Rectangle
- Bolt-On Grab Bars
 - White, Biscuit, Chrome, Polished Brass, Gold, Polished Nickel, Satin Nickel or Oil Rubbed Bronze
- 1.5 kW Inline Maintenance Heater (Pump Options 1, 2, 3)
- Lift & Turn Waste and Overflow
 - Chrome, Polished Brass, Gold, Polished Nickel, Satin Nickel or Oil Rubbed Bronze
- Cable Drive Waste and Overflow
 - Chrome, Polished Brass, Gold, Polished Nickel, Satin Nickel, Oil Rubbed Bronze or Color Matched (Bone, White and Biscuit Only)
- Factory Installed Rigid ABS Tile Flange
- Optional Pump Location
- Color Matched Acrylic Skirt

All acrylic colors featured by Aquatic match the industry's leading fixture manufacturers.

**Fax-On-Demand
Document # 1273**



The manufacturer accepts a 1/4" variance. There are variations on each tub and specifications are subject to change as we improve upon our product as required. The dimensions needed for site preparation and structure building should be measured from the tub; Aquatic Industries, Inc. assumes no responsibility for preparatory work.

www.aquaticwhirlpools.com 800.555.5324

Free Manuals Download Website

<http://myh66.com>

<http://usermanuals.us>

<http://www.somanuals.com>

<http://www.4manuals.cc>

<http://www.manual-lib.com>

<http://www.404manual.com>

<http://www.luxmanual.com>

<http://aubethermostatmanual.com>

Golf course search by state

<http://golfingnear.com>

Email search by domain

<http://emailbydomain.com>

Auto manuals search

<http://auto.somanuals.com>

TV manuals search

<http://tv.somanuals.com>