



TruePower Quattro

User's Manual

Manuel de l'utilisateur

Anwenderhandbuch

Manuale per l'operatore

Manual del usuario

取扱説明書

User's Manual

TruePower Quattro

High efficiency modular power supply

Models: TPQ-850, TPQ-1000

The TruePower Quattro Power Supply Unit (PSU) series is compatible with EPS12V v2.91 and ATX12V specifications. TruePower Quattro has increased output power distribution to match the newest Intel® and AMD™ server level processor requirements. It includes four +12V outputs that deliver safer and more reliable power to your system's components. It also includes a variety of industrial-grade protective circuitry: OCP (Over Current Protection), OVP (Over Voltage Protection), SCP (Short Circuit Protection), and UVP (Under Voltage Protection).

TruePower Quattro power supplies generate less heat because they are designed for high efficiency. This keeps the power supply itself cooler and prolongs its working life. TruePower Quattro power supplies have achieved 80 PLUS® Certification, the latest independent standard in power supply efficiency.

Special Quiet Computing™ fan operation







TruePower Quattro PSU features an innovative design to help decrease noise during normal use, but still allow for superior cooling capabilities as loads increase. With its high efficiency and low heat generation, the power supply utilizes a smaller fan. The exhaust fan rotates slowly and quietly to blow hot air out of the power supply, speeding up as heat increases. The TruePower Quattro PSU features Universal Input, which allows you to connect the power supply to any AC power source between 100~240V without having to worry about setting a voltage switch. This power supply also features Active PFC, which improves the power factor value of the power supply by altering the input current wave shape and thus helps transmission across the power grid.

Advanced cable management system

TruePower Quattro power supplies feature Antec's advanced cable management system, which allows you to use only the power cables that you need, thereby reducing clutter and improving airflow inside your case. Inside the package, apart from a power cord, you will find the following (See Table 1)

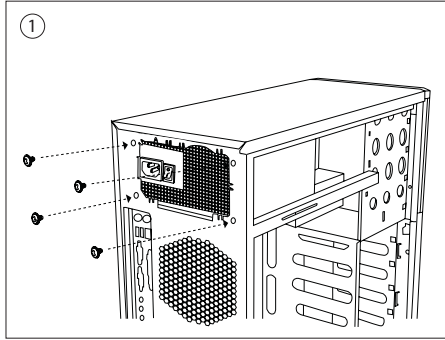
1. The 24-pin main power connector with detachable 4-pin section for 20-pin applications.
2. The 8-pin +12V and 4-pin +12V connector.
3. Two 8-pin with detachable 2-pin PCI-E connectors.
4. Five 6-pin output sockets, for use with the cable sets to power your drives and other peripherals.

Table 1

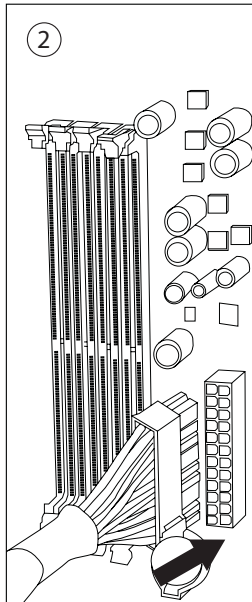
Quantity	Picture	Part Name	Description
1		Power supply	Includes 24-pin main connector, 8-pin + 12V connector, 4-pin + 12V connector, and two 8-pin (with 2 detachable pins) PCI-E connectors
2		Molex and Floppy connector w/ cable	Includes three Molex connectors and one floppy connector
1		Molex connector w/ cable	Includes three Molex connectors
1		Serial ATA connector w/ cable	Includes two Serial ATA connectors
2		Serial ATA connector w/ cable	Includes three Serial ATA connectors
2		PCI-Express connector w/ cable	Includes one PCI Express connector

Installation:

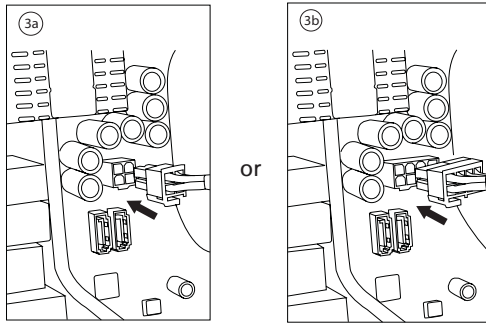
1. Install the TruePower Quattro PSU into your case with the four screws provided.



2. Connect the 24-pin Main Power Connector to your motherboard. If your motherboard uses a 20-pin connector, detach the 4-pin attachment on the 24-pin connector. **Note:** The detachable 4-pin section cannot be used in place of a 4-pin + 12V connector.

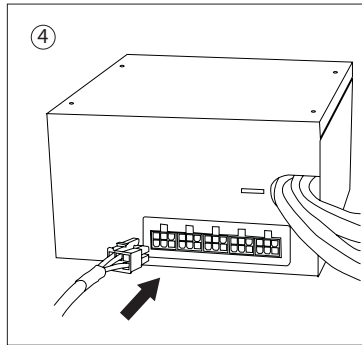


3. Connect the 8-pin or 4-pin connector for the CPUs.

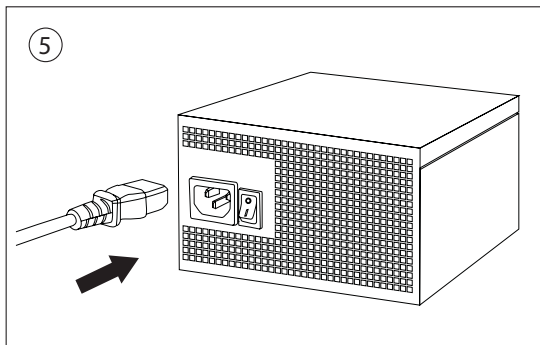


Note: Please also refer to your motherboard user guide for any special instructions.

4. Connect the cables from cable pack to the socket on the power supply as needed.



5. Connect the AC power cord to the power supply AC inlet and turn the switch to "I" position.



Run Cool, Run Reliably, Run with 80 PLUS®

About 80 PLUS®:

80 PLUS® is an innovative, electric utility-funded incentive program to integrate more energy-efficient power supplies into desktop computers and servers. The 80 PLUS performance specifications require power supplies in computers and servers to be 80% or greater energy efficient. This makes an 80 PLUS certified power supply at least 33% more efficient than current power supplies. 80 PLUS certified power supplies:

- Achieve energy savings, up to \$70 (55 Euro) over the life of a desktop computer
- Reduce a room's cooling load, increasing comfort and saving up to 30%
- Increase computer system reliability and save on maintenance costs by as much as 40%
- Minimize the need for noisy fans, creating a quieter environment
- Save on construction – saves hundreds of dollars in electrical system upgrades
- Allow more computers on the same branch circuit
- Save the environment – prevent pollution by reducing energy consumption

AQ5 Warranty Logo

For details, please go to: www.antec.com/warranty.html

Antec, Inc.

47900 Fremont Blvd.
Fremont, CA 94538
USA
tel: 510-770-1200
fax: 510-770-1288

Antec Europe B.V.

Stuttgartstraat 12
3047 AS Rotterdam
The Netherlands
tel: + 31 (0) 10 462-2060
fax: + 31 (0) 10 437-1752

Customer Support:

US & Canada

1-800-22ANTEC
customersupport@antec.com

Europe

+ 31 (0) 10 462-2060
europe.techsupport@antec.com

www.antec.com

© Copyright 2007 Antec, Inc. All rights reserved.
All trademarks are the property of their respective owners.
Reproduction in whole or in part without written permission is prohibited.
Printed in China.

Free Manuals Download Website

<http://myh66.com>

<http://usermanuals.us>

<http://www.somanuals.com>

<http://www.4manuals.cc>

<http://www.manual-lib.com>

<http://www.404manual.com>

<http://www.luxmanual.com>

<http://aubethermostatmanual.com>

Golf course search by state

<http://golfingnear.com>

Email search by domain

<http://emailbydomain.com>

Auto manuals search

<http://auto.somanuals.com>

TV manuals search

<http://tv.somanuals.com>