

American Standard

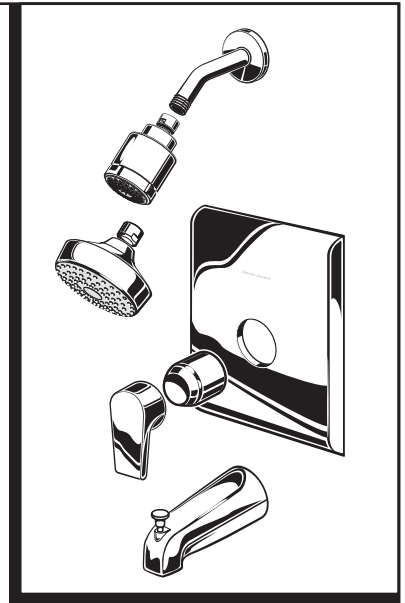
Installation Instructions T590.50X

STUDIO

PRESSURE BALANCING BATH AND SHOWER TRIM KITS

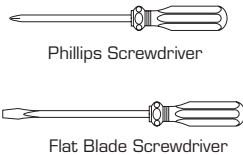
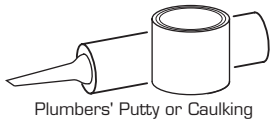
Thank you for selecting American Standard...the benchmark of fine quality for over 100 years.

To ensure that your installation proceeds smoothly—please read these instructions carefully before you begin.



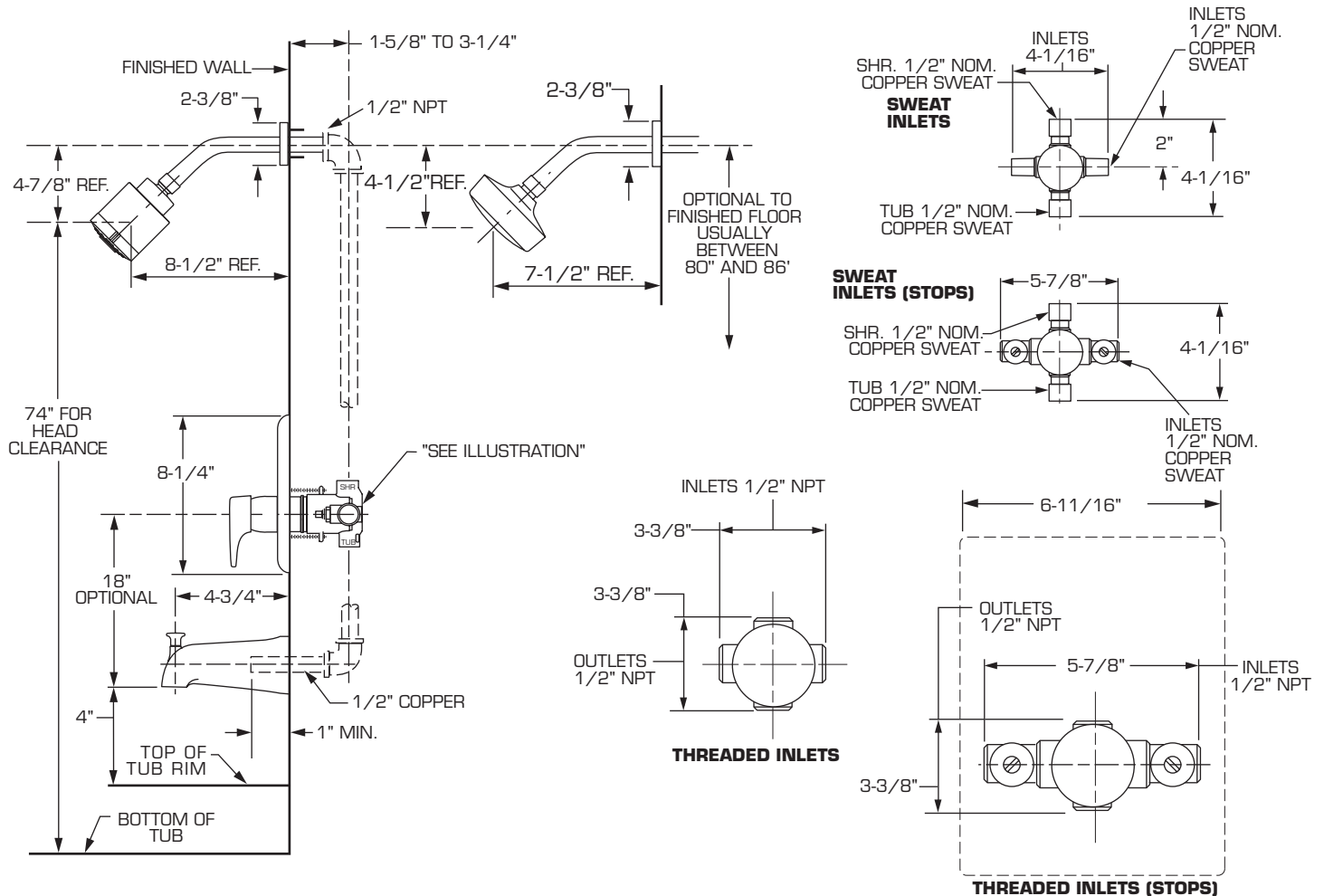
Certified to comply with ANSI A112.18.1
M968628 REV.1.3

Recommended Tools



ROUGHING-IN DIMENSIONS (For reference only)

■ To assure proper positioning in relation to wall, note roughing-in dimensions.



1 INSTALL VALVE TRIM

- **Figure 1.** Remove plaster guard from valve. Push CAP (1) over VALVE CARTRIDGE (2) until seated against stop.
- **Figure 2.** Make sure O-RING (8) is secure within ESCUTCHEON HOLDER (3). Push ESCUTCHEON HOLDER (3) onto CAP (1) and attach with LONG SCREWS (4). Mount ESCUTCHEON SUPPORT (5) to ESCUTCHEON HOLDER (3) with 4 SHORT SCREWS (6).
- **Figure 3.** Install ESCUTCHEON (7) onto CAP (1) and push flush against finished wall. Escutcheon (7) will snap fit onto ESCUTCHEON SUPPORT (5).

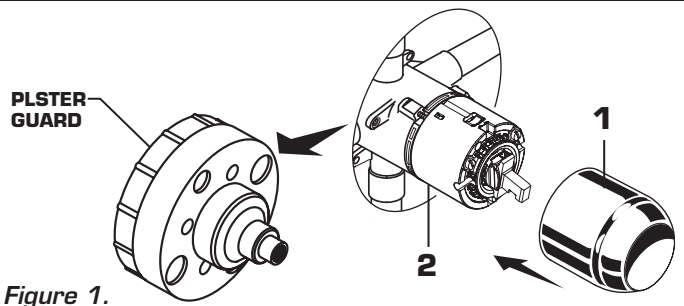


Figure 1.

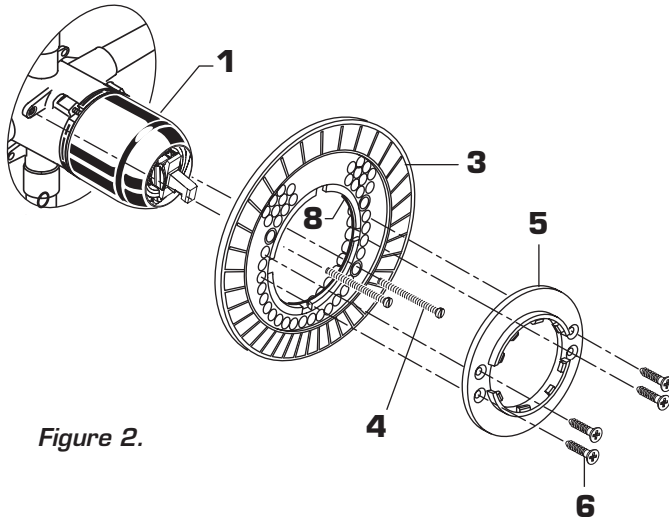


Figure 2.

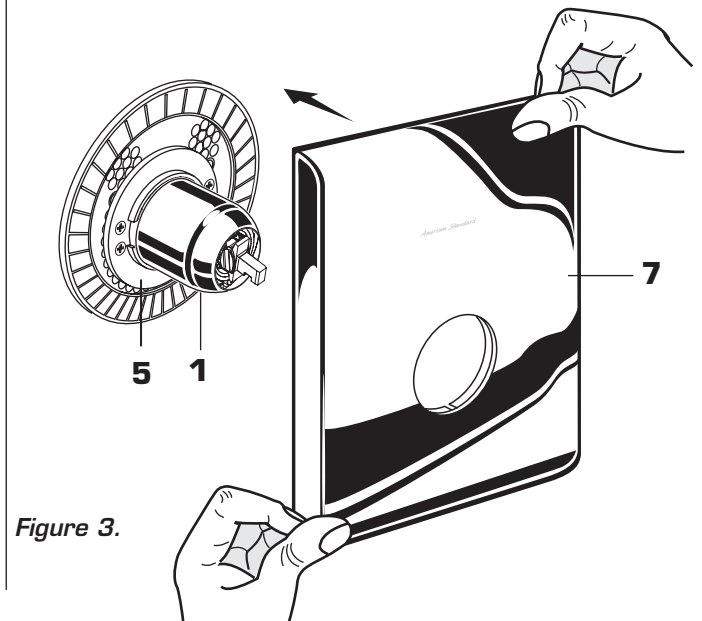
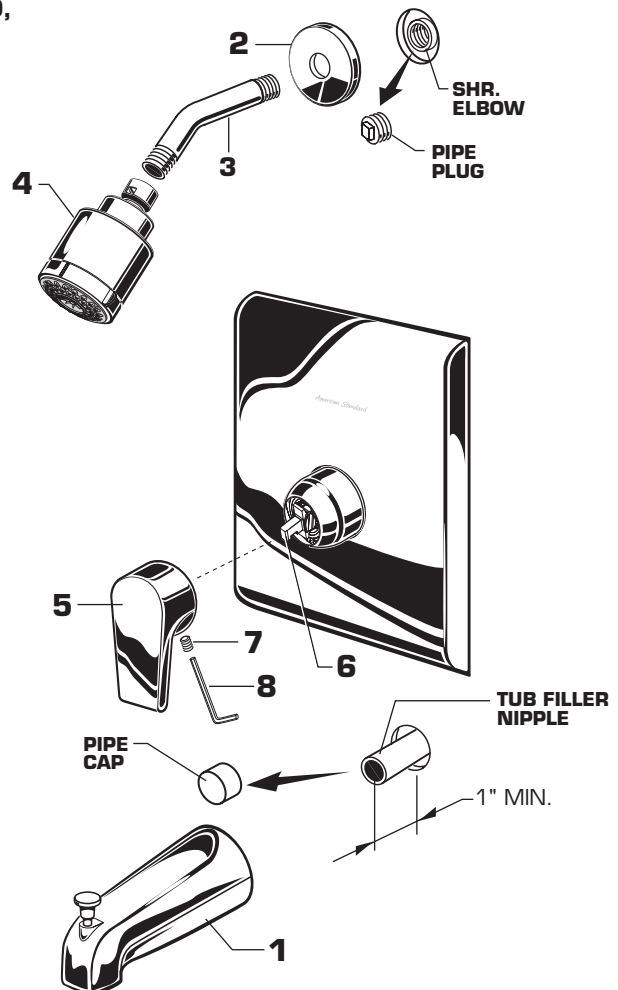


Figure 3.

2 INSTALL DIVERTER KNOB, TUB SPOUT, SHOWER HEAD, SHOWER ARM WITH FLANGE

- Remove pipe cap and plug from shower and tub rough piping.
- Install TUB SPOUT (1) onto tub nipple. **CAUTION: Protect finish on TUB SPOUT when installing.**
- Install SHOWER ESCUTCHEON (2) onto SHOWER ARM (3). Apply sealant or Teflon tape to threads on both ends of SHOWER ARM (3) and thread longer leg of SHOWER ARM (3) into shower elbow.
- Thread SHOWER HEAD (4) onto SHOWER ARM (3).
- **CAUTION: Protect finish on SHOWER HEAD and ARM when installing.**
- Install HANDLE (5) onto CARTRIDGE STEM (6). Tighten SET SCREW (7) with HEX WRENCH (8) supplied.

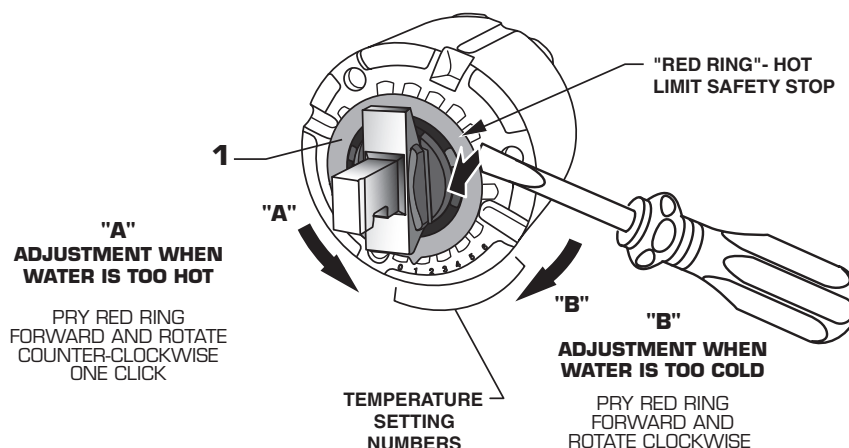


3 ADJUST HOT LIMIT STOP

HOT LIMIT SAFETY STOP ADJUSTMENT

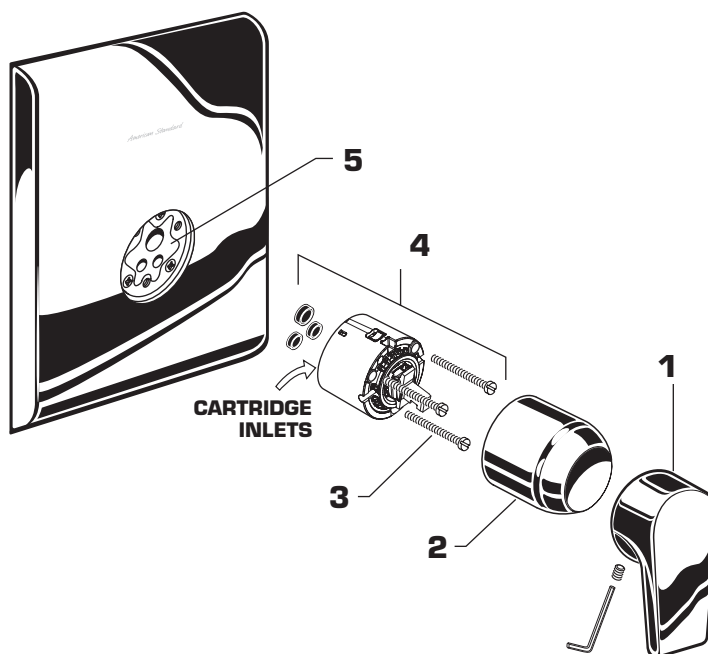
By restricting handle rotation and limiting the amount of hot water allowed to mix with the cold, the HOT LIMIT SAFETY STOP reduces risk of accidental scalding. To set the maximum hot water temperature of your faucets, all you need to do is adjust the setting on the HOT LIMIT SAFETY STOP.

- Use a flat blade screwdriver or your fingers to pull up and rotate red HOT LIMIT SAFETY STOP **(1)**. Follow Step "A" or "B" to adjust min./max. discharge temperature. "0" being the hottest to "7" the coldest temperature setting. Factory set at "0".



4 SERVICE

- If faucet drips, operate handle several times from "off" to "on". Do not apply excessive force.
- Clogged CARTRIDGE **(4)** inlets may cause reduced flow in "full on" hot or cold. To clean inlets, first turn off water supply, then:
 - Remove HANDLE **(1)**, CAP **(2)** and CARTRIDGE **(4)**.
 - Clean inlets and MANIFOLD **(5)**.
 - Reassemble CARTRIDGE **(4)**, alternately tightening SCREWS **(3)**. Replace CAP **(2)** and HANDLE **(1)**. Check flow.



CARE INSTRUCTIONS:

DO: SIMPLY RINSE THE PRODUCT CLEAN WITH CLEAR WATER. DRY WITH A SOFT COTTON FLANNEL CLOTH.

DO NOT: DO NOT CLEAN THE PRODUCT WITH SOAPS, ACID, POLISH, ABRASIVES, HARSH CLEANERS, OR A CLOTH WITH A COARSE SURFACE.

M968628 REV.1.3

Free Manuals Download Website

<http://myh66.com>

<http://usermanuals.us>

<http://www.somanuals.com>

<http://www.4manuals.cc>

<http://www.manual-lib.com>

<http://www.404manual.com>

<http://www.luxmanual.com>

<http://aubethermostatmanual.com>

Golf course search by state

<http://golfingnear.com>

Email search by domain

<http://emailbydomain.com>

Auto manuals search

<http://auto.somanuals.com>

TV manuals search

<http://tv.somanuals.com>