

**ACRYLUX™ 38" x 38" CORNER  
SHOWER BASE**

❑ **3838Y1.DT SHOWER BASE**

**Product Features:**

- High-gloss acrylic-capped ABS with fiberglass reinforcement
- Neo-angle, corner design
- Integral two-sided, tiling/water retention flange
- Textured bottom



**Nominal Dimensions:**

38" x 38" x 5-1/8"  
(965 x 965 x 130mm)

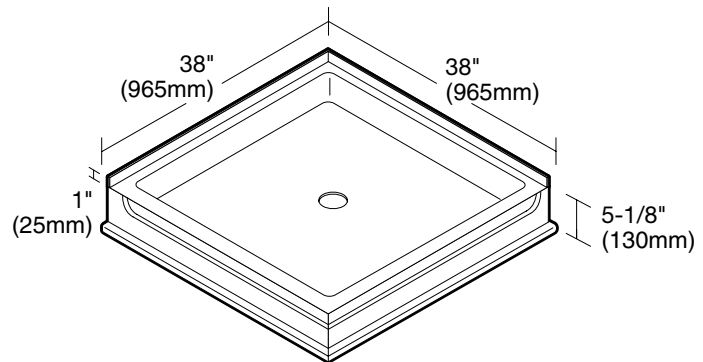
**For use with:**

- 3838Y1.CWT Corner Tile Wall Set
- Base can also be installed without Acrylux wall set

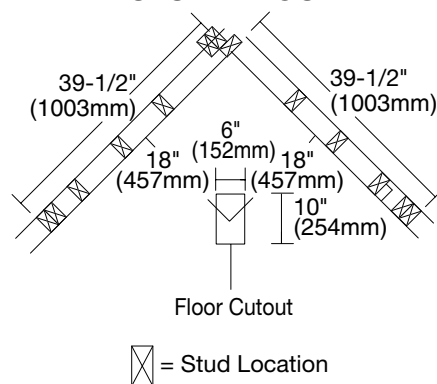
**Compliance Certifications -**

**Meets or Exceeds the Following Specifications:**

- ANSI Z124.2 for Plastic Showers
- ASTM E162 for Flammability
- NFPA 258 for Smoke Density



**STUD LAYOUT**



## Free Manuals Download Website

<http://myh66.com>

<http://usermanuals.us>

<http://www.somanuals.com>

<http://www.4manuals.cc>

<http://www.manual-lib.com>

<http://www.404manual.com>

<http://www.luxmanual.com>

<http://aubethermostatmanual.com>

Golf course search by state

<http://golfingnear.com>

Email search by domain

<http://emailbydomain.com>

Auto manuals search

<http://auto.somanuals.com>

TV manuals search

<http://tv.somanuals.com>