



AD9410

10-INCH COLOR MONITOR



The AD9410 is a compact, high performance, 10-inch color monitor with 280 TV lines resolution.

This monitor is able to automatically detect PAL or NTSC format.

The monitor contains a latching power switch, which remains in its set position – either on or off – regardless of incoming power status. Therefore the monitor does not have to be physically turned back on after a power loss.

The monitor's heavy-duty metal cabinet enables it to be mounted in standard 19-inch EIA racks (using the optional rack mount kit). This allows it to be easily incorporated into video monitoring systems and surveillance applications.

FEATURES

- 280 TV lines resolution
- Two looping audio input pairs (A/B)
- NTSC/PAL format auto detect
- Auto termination
- Two looping video input pairs
- Convenient front panel controls
- Universal power supply
- Latching power switch
- Heavy duty metal cabinet
- Rack mount (optional)

SPECIFICATIONS

Model Number

AD9410 Monitor, Color, 10 in, 280 TV lines,
NTSC/PAL

Operational

Picture Tube 10-inch diagonal, 90° deflection angle,
flat-square type CRT
Resolution 280 TV lines
Video Input
Level 0.5 to 2.0 Vp-p, composite
Impedance HiZ/75 Ω, auto termination
Audio Output 0.8 watt

Front Panel Controls

Tint Adjusts picture to obtain most natural
colors (skin tones)
Color Adjusts depth of saturation of color; used
to select individual viewer's preference in
color saturation
Bright Adjusts overall shading of picture and
establishes picture brightness
Contrast Adjusts relationship between light and
dark areas of picture
Sharp Adjusts sharpness of picture
Volume +/- Adjusts volume higher and lower
Video A/B Selects video input A/B
Power Turns monitor on and off

Connectors

Video A & B Two sets of BNC pairs for loop-through
operation
Audio A & B Two sets of RCA connectors for
loop-through operation
AC Input Connector IEC 320 type connector for AC input
Power Cables
North American NEMA 5-15P, UL
Continental European CEE7/7, GS

Electrical

Voltage 100 to 240 VAC (50/60 Hz)
Power 50 watts

Mechanical

Dimensions (H x W x D)
Cabinet 26.0 x 26.5 x 33.0 cm
(10.24 x 10.43 x 13.0 in)
Rack Mount 31.1 x 48.3 x 29.5 cm
(12.25 x 19.0 x 11.63 in)
Unit Weight 8.5 kg (18.76 lbs)
Shipping Weight 10 kg (22.08 lbs)
Color Black
Construction Metal cabinet

Environmental

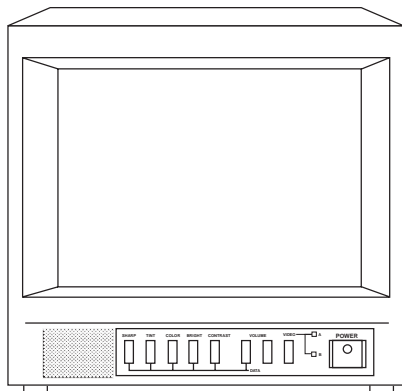
Operating Temperature 0° to 40° C (32° to 104° F)
Humidity 90% RH (non-condensing)
Storage Temperature -10° to 50° C (14° to 122° F)

Regulatory

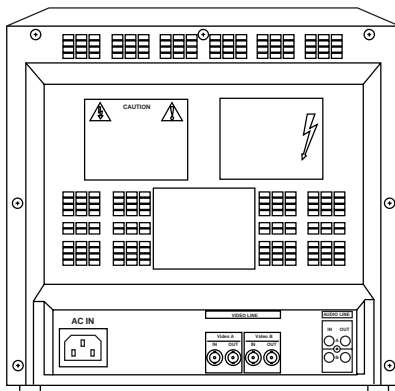
Emissions FCC: Part 15, Subpart B, Class A
CE: EN55022, Meets Canadian ICES-003
Meets Australian and New Zealand EMC
Immunity CE: EN50130-4, Meets Australian and
New Zealand EMC
Safety UL1410, CSA 22.2, No. 1
CE: EN60065, DHHS: Rules 21,
Subchapter J ROV

Options

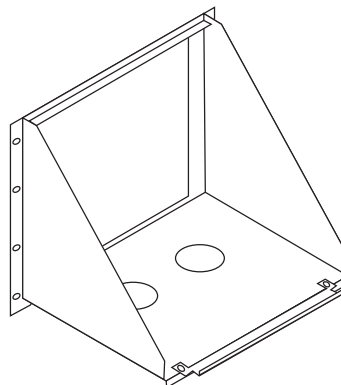
AD9410RK Rack Mount Kit (single rack)



Front Panel



Rear Panel



AD9410 Rack Mount Kit
(single rack)

Free Manuals Download Website

<http://myh66.com>

<http://usermanuals.us>

<http://www.somanuals.com>

<http://www.4manuals.cc>

<http://www.manual-lib.com>

<http://www.404manual.com>

<http://www.luxmanual.com>

<http://aubethermostatmanual.com>

Golf course search by state

<http://golfingnear.com>

Email search by domain

<http://emailbydomain.com>

Auto manuals search

<http://auto.somanuals.com>

TV manuals search

<http://tv.somanuals.com>