

AMERICAN AUDIO



DX5R™

Professional Preamp Mixer

American Audio
4295 Charter Street
Los Angeles Ca. 90058
www.AmericanAudio.us

MAIN FEATURES.....	2
ELECTRICAL PRECAUTIONS.....	3
SAFETY PRECAUTIONS.....	4
INTRODUCTION.....	5
SET-UP PRECAUTIONS.....	5
UNPACKING.....	6
QUICK START.....	6
FUNCTIONS AND CONTROLS	
FRONT PANEL.....	7
REAR PANEL.....	10
CLEANING.....	14
CROSSFADER REPLACEMENT.....	14
WARRANTY.....	15
SPECIFICATIONS.....	16

- Equipped with high quality Crossfader
- User Replaceable Crossfader
- Selectable Voltage 115v~230v
- High Headphones Output
- Cue Mixing
- Extremely clean signal to noise ratio
- Two Turntable Ground Prongs
- Fader “Q-Start” Compatible
- Rotary Channel Gains
- Subwoofer Output
- Low Residue Resistance Crossfader
- 4 Band Master EQ
- 2 Phono, & 8 Line Level Inputs
- Split Cue Monitoring
- Assignable Crossfader
- Separate Booth Level Output
- Balanced XLR Outputs
- 2 Mic Inputs
- Channel Input Level Indicators

ELECTRICAL PRECAUTIONS



The lightning flash with arrowhead symbol, within an equilateral triangle, is intended to alert the user to the presence of uninsulated "dangerous voltage" within the product's enclosure that may be of sufficient magnitude to constitute a risk of electric shock to persons

CAUTION

RISK OF ELECTRIC SHOCK
DO NOT OPEN



The exclamation point within an equilateral triangle is intended to alert the user to the presence of important operating and maintenance (servicing) instructions in the literature accompanying the appliance.

IMPORTANT SAFETY INSTRUCTIONS

READ INSTRUCTIONS — All the safety and operating instructions should be read before the product is operated.

RETAIN INSTRUCTIONS — The safety and operating instructions should be retained for future reference.

HEED WARNINGS — All warnings on the product and in the operating instructions should be adhered to

FOLLOW INSTRUCTIONS — All operating and use instructions should be followed.

CLEANING — The product should be cleaned only with a polishing cloth or a soft dry cloth. Never clean with furniture wax, benzene, insecticides or other volatile liquids since they may corrode the cabinet

ATTACHMENTS — Do not use attachments not recommended by the product manufacturer as they may cause hazards.

WATER AND MOISTURE — Do not use this product near water — for example, near a bathtub, wash bowl, kitchen sink, or laundry tub; in a wet basement; or near a swimming pool; and the like.

ACCESSORIES — Do not place this product on an unstable cart, stand, tripod, bracket, or table. The product may fall, causing serious injury to a child or adult, and serious damage to the product. Use only with a cart, stand, tripod, bracket, or table recommended by the manufacturer, or sold with the product. Any mounting of the product should follow the manufacturer's instructions, and should use a mounting accessory recommended by the manufacturer

CART — A product and cart combination should be moved with care. Quick stops, excessive force, and uneven surfaces may cause the product and cart combination to overturn



VENTILATION — Slots and openings in the cabinet are provided for ventilation and to ensure reliable operation of the product and to protect it from overheating, and these openings must not be blocked or covered. The openings should never be blocked by placing the product on a bed, sofa, rug, or other similar surface. This product should not be placed in a built-in installation such as a bookcase or rack unless proper ventilation is provided or the manufacturer's instructions have been adhered to

POWER SOURCES — This product should be operated only from the type of power source indicated on the marking label. If you are not sure of the type of power supply to your home, consult your product dealer or local power company.

LOCATION — The appliance should be installed in a stable location.

NONUSE PERIODS — The power cord of the appliance should be unplugged from the outlet when left unused for a long period of time.

GROUNDING OR POLARIZATION

• If this product is equipped with a polarized alternating current line plug (a plug having one blade wider than the other), it will fit into the outlet only one way. This is a safety feature. If you are unable to insert the plug fully into the outlet, try reversing the plug. If the plug should still fail to fit, contact your electrician to replace your obsolete outlet. Do not defeat the safety purpose of the polarized plug.

• If this product is equipped with a three-wire grounding type plug, a plug having a third (grounding) pin, it will only fit into a grounding type power outlet. This is a safety feature. If you are unable to insert the plug into the outlet, contact your electrician to replace your obsolete outlet. Do not defeat the safety purpose of the grounding type plug.

POWER-CORD PROTECTION - Power-supply cords should be routed so that they are not likely to be walked on or pinched by items placed upon or against them, paying particular attention to cords at plugs, convenience receptacles, and the point where they exit from the product

OUTDOOR ANTENNA GROUNDING — If an outside antenna or cable system is connected to the product be sure the antenna or cable system is grounded so as to provide some protection against voltage surges and built-up static charges. Article 810 of the National Electrical Code, ANSI/NFPA 70, provides information with regard to proper grounding of the mast and supporting structure, grounding of the lead-in wire to an antenna discharge unit, size of grounding conductors, location of antenna-discharge unit, connection to grounding electrodes, and requirements for the grounding electrode. See Figure A.

LIGHTNING — For added protection for this product during a lightning storm, or when it is left unattended and unused for long periods of time, unplug it from the wall outlet and disconnect the antenna or cable system. This will prevent damage to the product due to lightning and power-line surges.

POWER LINES — An outside antenna system should not be located in the vicinity of overhead power lines or other electric light or power circuits, or where it can fall into such power lines or circuits. When installing an outside antenna system, extreme care should be taken to keep from touching such power lines or circuits as contact with them might be fatal.

OVERLOADING — Do not overload wall outlets extension cords, or integral convenience receptacles as this can result in a risk of fire or electric shock.

OBJECT AND LIQUID ENTRY - Never push objects of any kind into this product through openings as they may touch dangerous voltage points or short-out parts that could result in a fire or electric shock. Never spill liquid of any kind on the product

SERVICING — Do not attempt to service this product yourself as opening or removing covers may expose you to dangerous voltage or other hazards. Refer all servicing to qualified service personnel

DAMAGE REQUIRING SERVICE - Unplug this product from the wall outlet and refer servicing to qualified service personnel under the following conditions:

- When the power-supply cord or plug is damaged.
- If liquid has been spilled, or objects have fallen into the product
- If the product has been exposed to rain or water.
- If the product does not operate normally by following the operating instructions. Adjust only those controls that are covered by the operating instructions as an improper adjustment of other controls may result in damage and will often require extensive work by a qualified technician to restore the product to its normal operation.
- If the product has been dropped or damaged in any way.
- When the product exhibits a distinct change in performance — this indicates a need for service.

REPLACEMENT PARTS — When replacement parts are required, be sure the service technician has used replacement parts specified by the manufacturer or have the same characteristics as the original part. Unauthorized substitutions may result in fire, electric shock, or other hazards.

SAFETY CHECK - Upon completion of any service or repairs to this product, ask the service technician to perform safety checks to determine that the product is in proper operating condition.

WALL OR CEILING MOUNTING — The product should not be mounted to a wall or ceiling.

HEAT — The product should be situated away from heat sources such as radiators, heat registers, stoves, or other products (including amplifiers) that produce heat

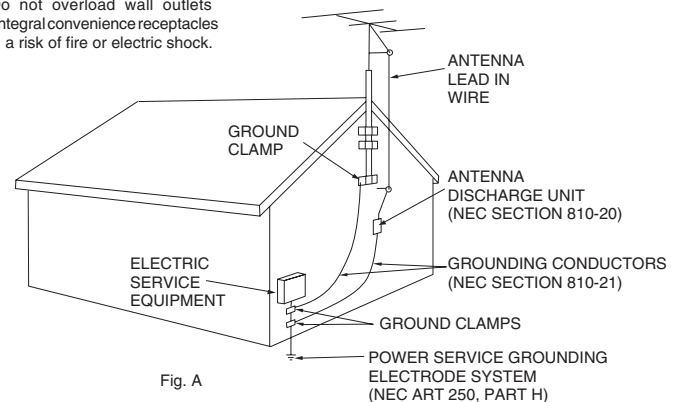


Fig. A

NEC — NATIONAL ELECTRICAL CODE

1. For adult use only - Keep out of the reach of children.
2. Water and Moisture - The player should not be used near water - for example, near a bath tub, kitchen sink, laundry tub, in a wet basement or near a swimming pool, etc. Do not spill water or other liquids in to or on to your mixer.
3. Ventilation - The Mixer should be situated so that its location or position does not interfere with its proper ventilation. For example, the Mixer should not be situated on a bed, sofa, rug, or similar surface that may block the ventilation openings; or, placed in a built-in installation, such as a bookcase or cabinet that may impede the flow of air through the ventilation openings.
4. Heat - The Mixer should be situated away from heat sources such as radiators, heat registers, stoves, or other appliances (including amplifiers) that produce heat.
5. Power Sources - The Mixer should be connected to a power supply (wall outlet) only of the type described in the operating instructions or as marked on the Mixer.
6. Servicing -The user should not attempt to service the Mixer beyond that described in the operating instructions. There are no user serviceable parts inside. All other servicing should be referred to qualified service personnel. The Player should be serviced by qualified service personnel when:
 - A. The power-supply cord or the plug has been damaged.
 - B. Objects have fallen, or liquid has been spilled into the Mixer.
 - C. The Mixer has been exposed to rain or water.
 - D. The Mixer does not appear to operate normally or exhibits a marked change in performance.
7. Never disassemble or modify your unit in any way, doing so will void your manufactures warranty.
8. Never plug this mixer in to a dimmer pack.
9. Do not let insecticides, benzene, or thinner come in contact with the surface of the unit.
10. This unit is intended for indoor use only, use of this product outdoors voids all warranties.
11. Always mount this unit in safe and stable matter.
12. Disconnect from main power before making any type of connection.
13. Cleaning - The mixer should be cleaned only as recommended by the manufacturer. Use a soft cloth to wipe down the outside of the unit. For stubborn stains moisten a soft cloth with glass cleaner or other mild detergent to wipe away any stains. Use a soft cloth to wipe any residual cleaner. Never use volatile cleaners such as benzene, solvent, or thinner to clean your unit, these cleaners will damage the units surface.
14. Handle the power supply cord carefully. Do not damage or deform; it may cause electric shock or malfunction when used. Hold plug attachment when removing from wall outlet. Do not pull on the cord.
15. To avoid electric shock, do not open the top cover when the unit is plugged in. If problems occur with the unit, call American Audio® customer support.
16. Do not place metal objects or spill any liquids inside or on the mixer. Electric shock or malfunction may occur.
17. Power Cord Protection - Power supply cords should be routed so that they are not likely to be walked on or pinched by items placed upon or against them, paying particular attention to cords at plugs, convenience receptacles, and the point where they exit from the mixer. Route your power cord out of the way of foot traffic.
18. Always have the front gain controls set to their lowest level during initial power-up to prevent speaker damage.

Introduction:

Congratulations and thank you for purchasing the American Audio® DX5R™ mixer. This mixer is a representation of American Audio's continuing commitment to produce the best and highest quality audio products possible at an affordable price. The DX5R™ comes with a 1 year limited warranty! Please read and understand this manual completely before attempting to operate your new mixer. This booklet contains important information concerning the proper and safe operation of your new mixer.

Customer Support:

American Audio® provides a toll free customer support line, to provide set up help and to answer any question should you encounter problems during your initial set up or operation. You may also visit us on the web at www.AmericanAudio.us for any comments or suggestions. Service Hours are Monday through Friday 9:00 a.m. to 5:30 p.m. Pacific Standard Time.

Voice: (800) 322-6337

Fax: (323) 582-2610

E-mail: support@americandj.com

To purchase parts online visit <http://parts.americandj.com>

Caution! There are no user serviceable parts inside this mixer. Do not attempt any repairs yourself, doing so will void your manufacturer's warranty. In the unlikely event your mixer may require service, please contact American Audio® customer support.

Do not discard the packing carton in the trash. Please recycle when ever possible.

Please be sure to make any connections before plugging the mixer in to an electrical outlet. All fader and volume controls should be set to zero or minimum position, before the mixer is switched on. If the mixer has been exposed to drastic temperature fluctuation (e.g. after transportation), do not switch on the mixer immediately. The arising condensation of water might damage your device. Leave the device switched off until it has reached room temperature.

Operating Determinations:

- When installing this mixer, please make sure that the device is not exposed or will not be exposed to extreme heat, moisture or dust!
- Do not operate the mixer in extremely hot (more than 30°/100°F) or extremely cold (less than 5°C/40°F) surroundings.
- Keep the unit out of direct sunlight and away from heaters.
- Operate the mixer only after becoming familiar with its functions. Do not permit operation by persons not qualified for operating the mixer. Most damages are the result of unprofessional operation!
- Do not attempt to operate this mixer if the power cord has been frayed or damaged.
- Disconnect from main power before making any type of connection.
- Do not attempt to operate this mixer, if it becomes damaged in any way.
- Never operate this mixer when it's covers are removed.
- To reduce the risk of electrical shock or fire, do not expose this mixer to rain or moisture.
- This mixer is intended for indoor use only, use of this product outdoors voids all warranties.
- During long periods of non-use, disconnect the mixer's main power.

American Audio® would like to thank for your purchase of this great product. For those of you that are to impatient to read the entire user manual we have compiled these quick start instructions. We hope that you will at least read through these instructions to familiarize yourself with the basic understanding of the unit. The DX5R™ is part of American Audio's continuing evolution in audio technology. This unit has been built and designed with the typical DJ in mind, by DJ's. We have attempted to provide you with the most reliable product on the market by using only components made from quality products.

MASTER LEVEL (8) - Use this level control to set your volume output. Try never to send an output of more than +4dB to your system. Signal at levels higher than this will start to distort and may cause damage to your system and speakers. Remember that a distorted signal from you mixer will only be multiplied throughout your system.

HEADPHONES (25) - To avoid sever hearing damage, always be sure the headphone level is set to minimum before plugging them in. Never put the headphone on without making sure the headphone level is turned down.

MICROPHONE 1 (1) - The main mic connector uses a 1/4" jack unbalanced connector on the rear of the unit or XLR balanced connection on the face of the unit. Both microphone connection marks as MIC 1 are controlled by the MIC 1 VOLUME knob. Always leave the mic level to it's minimum level when not in use.

BALANCED XLR OUTPUTS (27) - The Master Output includes a pair XLR Balanced JACKS as well as a pair RCA UNBALANCED JACKS (19). The 3-pin XLR jacks send a high current balanced output signal. These jacks should be used when you will be driving an amp or other audio equipment with a balanced input, or whenever you will be running a signal line greater than 15 feet. Always, use these jacks whenever possible.

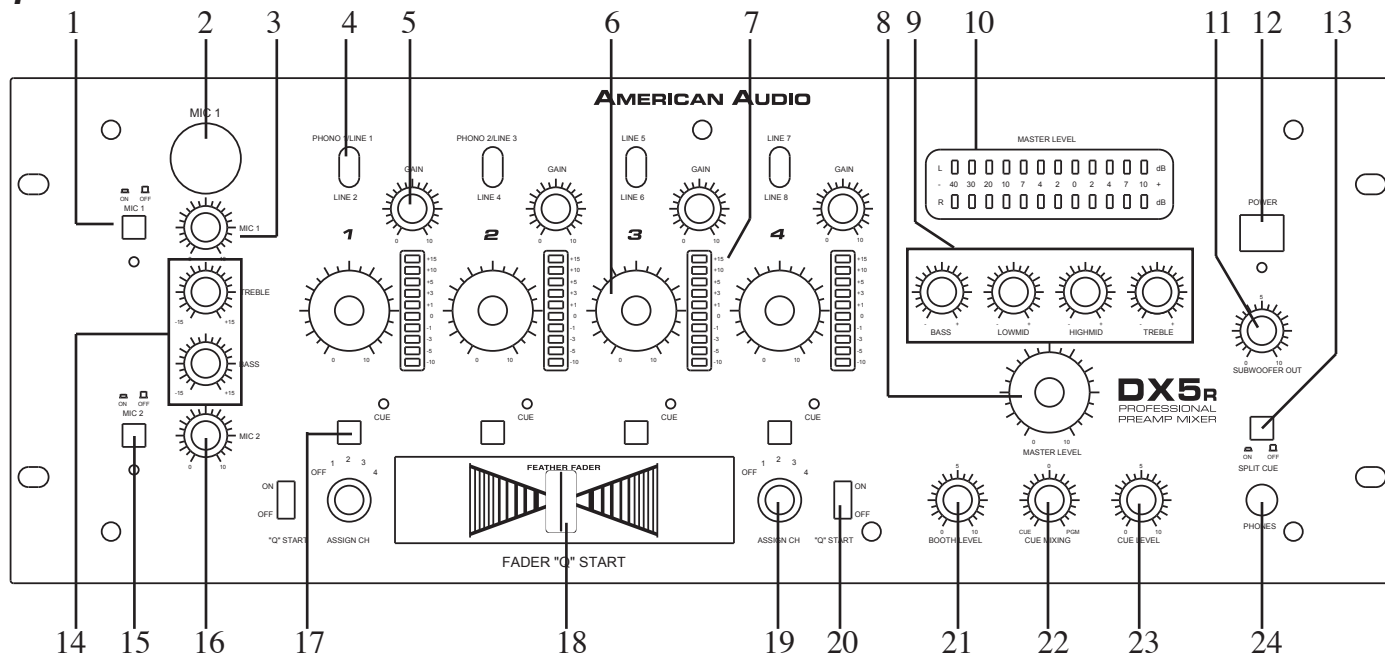
FADER ASSIGN SWITCH (19) - This is a five position switch that assigns a channel to the CROSS-FADER (18). When a channel is assigned to the left side of the CROSSFADER (18) that channels output level is routed to and controlled by the CROSSFADER (18). Sliding the CROSSFADER (18) to left position will send the volume output of the assigned channel to the MASTER VOLUME LEVEL (8), siding the CROSSFADER (18) to right position will cut that channels volume to MASTER VOLUME LEVEL (8). The reverse is true for the right Rotary Channel Gain assign switch. When the assign switch is set to the "OFF" position the crossfader will have no function.

BOOTH LEVEL (BOOTH LEVEL VOLUME CONTROL) (22) - This rotary knob is used to control the output volume to any source connect to the BOOTH OUTPUT JACKS (34) on the rear of the unit. Be sure this volume control is always set to zero before turning the unit on and off.

SUBWOOFER OUTLEVEL - This knob is used to control a completely independent subwoofer output level. The output signal is sent through the mono SUBWOOFER OUTPUT JACK (33) on the rear of the unit.

Every DX5R™ has been thoroughly tested and has been shipped in perfect operating condition. Carefully check the shipping carton for damage that may have occurred during shipping. If the carton appears to be damaged, carefully inspect your mixer for any damage and be sure all equipment necessary to operate the mixer has arrived intact. In case damage has been found or parts are missing, please contact our toll free customer support number for further instructions, please do not return the mixer to your dealer.

Top Panel



1. MIC 1 ON/OFF - This button is used to turn the microphone signal on and off.

2. MIC 1 (MICROPHONE 1 INPUT) - This jack accepts a standard XLR 3-pin balanced male plug. The volume output level for this microphone is controlled by the *MIC 1 VOLUME KNOB (1)*.

3. MIC 1 VOLUME (MICROPHONE 1 VOLUME LEVEL) - This rotary knob is used to control the volume output level for any microphone connected to the MIC 1 INPUT JACKS (2 or 31). Turning the knob in a clockwise direction will increase volume output.

4. CHANNEL SOURCE SELECTOR SWITCH (TRANSFORMER SWITCH) - These switches are used to select the input source assigned to each channel. Each channel may only be assigned one input source at a time. This switch must be in the “phono” position for turntable operation. For all other input devices such as CD players and tape decks this switch must be in the “line” position.

5. CHANNEL GAIN CONTROL - This adjustment is used to adjust the audio source signal input gain for a channel. Never use the gain control to adjust a channels output volume. Setting the gain level properly will ensure a clean output signal. An improper gain level adjustment will send a distorted signal throughout the entire audio line which may damage speakers and amplifiers. To properly set a channels the gain level control:

1. Be sure the MASTER VOLUME CONTROL (8) is set to level 8.
2. Set the ROTARY CHANNEL GAIN (6) to level 8.
3. Begin playback on an audio source connected to the channel you are adjusting.
4. Use the Gain Control to adjust an average output volume of +4 dB in the CHANNEL LED LEVEL INDICATOR (7).
5. Repeat this step for all channels.

6. ROTARY CHANNEL GAIN - The Rotary Channel Gains are used to control the output signal of any source assigned to its particular channel. However, the master volume for all channels is controlled by the MASTER VOLUME CONTROL (8).

7. CHANNEL VOLUME LEVEL INDICATORS - The LED's indicators that run along each channels EQ

section are used to measure incoming signal levels. Use these indicator to visually maintain an average signal output of +4dB. A consistent average output level of +4dB will produce a clean output signal.

8. MASTER VOLUME CONTROL - This rotary knob is used to control the master output level (volume). To avoid distorted output maintain an average output signal level of +4 dB. Be sure this volume control is always set to zero before turning the unit on.

9. MASTER OUTPUT 4-BAND EQ - The DX5R includes a 4-band master output EQ. The adjustable EQ bands are bass, mid low, mid high, treble. These knobs are used to increase (+20dB) or decrease (-30dB) the band width of each frequency applied to the output source signal. Turning the knobs in a counter-clockwise direction to decrease a value or clockwise to increase a value.

10. MASTER OUTPUT INDICATORS - The dual LED's indicators are used to indicate the master output volume level and directly reflect the output signal. To avoid signal distortion maintain an average signal output of +4dB.

11. SUBWOOFER OUTLEVEL - This knob is used to control a completely independent subwoofer output level. The output signal is sent through the mono SUBWOOFER OUTPUT JACK (33) on the rear of the unit.

12. MAIN POWER SWITCH - This is the main power ON/OFF button. A red LED below the power switch will glow indicating main power is on. Before main power is applied, be sure you have made all connections to the mixer. Also be sure your amplifier(s) is(are) turned off. Remember to avoid damaging pops to your speakers, the mixer is turned on first and turned off last.

13. SPLIT CUE - This button will activate the "Split Cue" function. When used with a set of stereo headphones, the Split Cue function will assign the Cue signal to the left channel of the headphones and the Program (main output) signal to the right channel of the headphones. Essentially splitting the cue signal in half. This process will allow for headphones mixing. The CUE MIXING CONTROL (23) will also work in conjunction with function. Please note that this function will only work with a set of stereo headphones.

14. MICROPHONE EQ - These controls are used to adjust the microphone treble level, midrange, and bass levels. Each microphone input has a separate channel EQ.

MICROPHONE TREBLE CONTROL - This knob is used to adjust the treble levels of the Micro phone with a maximum signal gain of 15dB or maximum signal decrease of -30dB. Turning the knob in a counter-clockwise direction will decrease the amount of treble applied to the microphone signal, turning the knob in a clockwise direction will increase the amount of treble applied to microphone signal.

MICROPHONE BASS CONTROL - This knob is used to adjust the low frequency levels of the microphone with a maximum signal gain of 15dB or maximum signal decrease of -30dB. Turning the knob in a counter-clockwise direction will decrease the amount of bass applied to the microphone signal, turning the knob in a clockwise direction will increase the amount bass applied to the microphone signal.

15. MIC 2 ON/OFF - This button is used to turn the microphone 2 signal on and off.

16. MIC 2 VOLUME (MICROPHONE 2 VOLUME LEVEL) - This rotary knob is used to control the volume output level for any microphone connected to the MIC 2 INPUT JACK (43). Turning the knob in a clockwise direction will increase volume output.

17. CUE SELECTOR SWITCH - These buttons are used to activate a channels "CUE" mode. A red

LED next to the Cue Selector Button will glow when a channels cue mode is activated. The Cue function sends a channels incoming signal to the headphones. The cue volume level is adjusted by the CUE LEVEL KNOB (24). Be sure the CUE MIXING KNOB (23) is in the “CUE” position to hear a selected channels source.

18. FEATHER FADER PLUS CROSSFADER - This fader is used to blend the output signals of any two channels together. When the fader is in the full left position, the output signal of any channel assigned to the left side of the fader will be controlled by the master volume level. The same fundamentals will apply for any channel assigned to the right side of the fader. Sliding the fader from left position to the right will vary the output signals of any two channels respectively. When the crossfader is set in the center position, the output signals of both channels will be even.

19. FADER ASSIGN SWITCH - This is a five position switch that assigns a channel to the CROSSFADER (12). When a channel is assigned to the left side of the CROSSFADER (18) that channels output level is routed to and controlled by the CROSSFADER (18). Sliding the CROSSFADER (18) to left position will send the volume output of the assigned channel to the MASTER VOLUME LEVEL (8), sliding the CROSSFADER (18) to right position will cut that channels volume to MASTER VOLUME LEVEL (8). The reverse is true for the right Rotary Channel Gain assign switch. When the assign switch is set to the “OFF” position the crossfader will have no function.

20. Q-START ON/OFF SWITCH - This function works in conjunction with a compatible American DJ® or American Audio® “Q” Start CD player. When used with a compatible CD player, you can use the crossfader to start and stop a CD Player with the slide of the mixer’s CROSSFADER (18). The ON/OFF “Q” START SWITCH activates the FADER “Q” START feature. When in the ON position, the FADER “Q” START automatically returns the CD player to the preset CUE POINT.

For example; Assuming you have two compatible American Audio™ CD players or a compatible dual CD player connected to channels one and two. When the Fader “Q” Start option is turned on, sliding the crossfader to the far left position will trigger playback on CD player 1. When the crossfader is pushed to the far right position, playback on CD player 2 will begin, and CD player 1 will return to the cue position. Refer to your American Audio CD player user manual for setting CUE POINTS. Turn the ON/OFF SWITCH to the OFF position to disengaged “Q” Start function and resume to a normal fader.

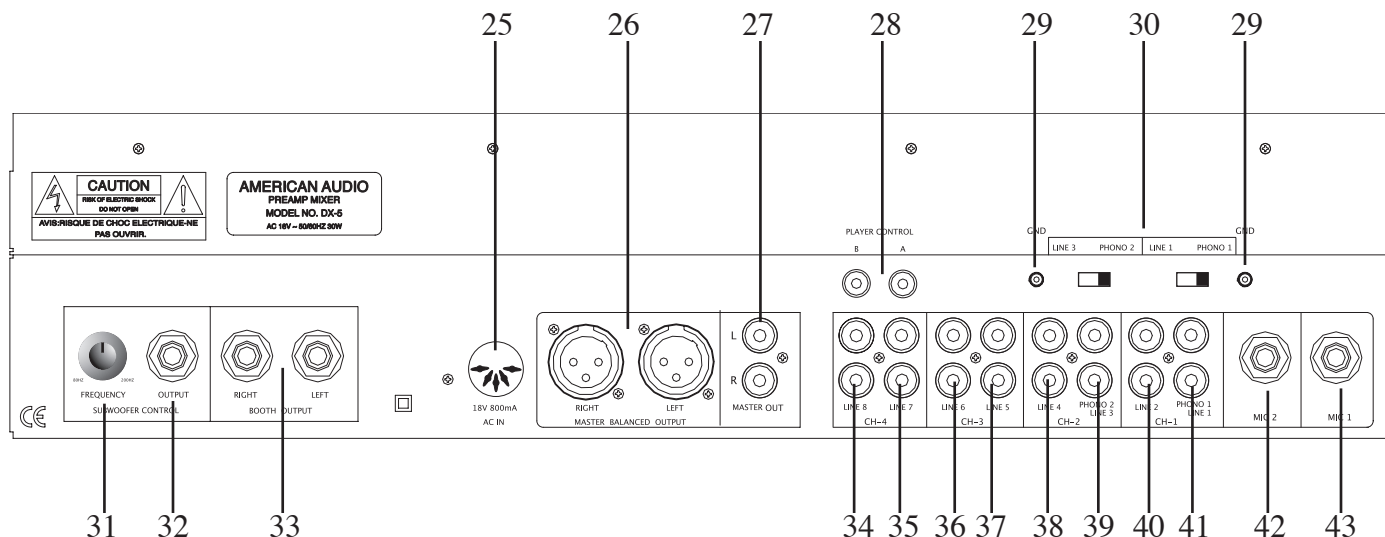
21. BOOTH LEVEL (BOOTH LEVEL VOLUME CONTROL) - This rotary knob is used to control the output volume to any source connect to the BOOTH OUTPUT JACKS (25) on the rear of the unit. Be sure this volume control is always set to zero before turning the unit on and off.

22. CUE MIXING CONTROLLER - This knob is used to select the monitoring source, either the master output or a channel. The cue level is prefader and is not affected by a channel’s fader level. To monitor the master output signal turn the knob to the “PGM” position to monitor a channel signal turn the knob to the “CUE” position. To vary the amount of either signal turn the knob more or less to the center position. If the knob is set to the center position, you can monitor both the cue and master output levels equally.

23. CUE LEVEL VOLUME CONTROL - This knob adjusts the headphone volume output level. Turning the knob in clockwise direction will increase headphone volume output.

24. HEADPHONE JACK - This jack is used to connect your headphones to the mixer allowing you to monitor the cue source. Use headphones only rated at 8 ohms to 32 ohms. Most DJ headphones are rated at 16 ohm, these are highly recommended. Always be sure the CUE LEVEL VOLUME (24) is set to a minimum before you put the headphones on.

Rear Panel



25. POWER CONNECTION - This connector is used to supply main power to the unit via the included detachable power adaptor. Use only the supplied AC power adaptor. This cord is designed to fit in one direction only. Do not attempt to force a cord in if it does not fit, be sure the cord is being inserted properly

26. BALANCED XLR MASTER OUTPUTS - The Master Output includes a pair XLR Balanced JACKS as well as a pair RCA UNBALANCED JACKS (28). The 3-pin XLR jacks send a high current balanced output signal. These jacks should be used when you will be driving an amp or other audio equipment with a balanced input, or whenever you will be running a signal line greater than 15 feet. Always, use these jacks whenever possible.

27. RCA MASTER OUTPUTS - The Master Output includes a pair XLR BALANCED JACKS (27) as well as a pair RCA Unbalanced Jacks. The RCA jacks send a low current unbalanced output signal. These jacks should only be used for shorter cable runs to signal processors or looping to another mixer. For cable runs greater than 15 feet use the XLR BALANCED JACKS (27).

28. PLAYER CONTROL - These jacks are used to control the “Q-Start” function between the mixer and a compatible American Audio® or American DJ® CD Player. Connect the mono mini plugs included with your CD player from CD player controller jacks into these jacks, input CD 1 into jack A and CD 2 into jack B and so on. Be sure to only use the mono tip mini plugs included with your CD player to avoid damage to the mixer and/or the CD player.

29. GND (GROUND TERMINAL) - Be sure to connect turntable ground leads to either or both of the two available ground terminals. This will reduce the humming and popping noises associated with magnetic phono cartridges.

30. CHANNEL LINE LEVEL SELECTOR SWITCHES - These switches are used to change the voltage line levels of their respective Phono/Line RCA inputs jacks. When connecting turntables with magnetic cartridges to these jacks be sure the corresponding switch is in the “PHONO” position, and when using line level input devices be sure this switch is in the “LINE” position. Always be sure main

power is shut off before change the position of the Line Level Selector Switch.

31. SUBWOOFER FREQUENCY LEVEL - This knob is used to adjust the subwoofer frequency level. The frequency level output can range from 80Hz to 200Hz. This adjustment will only affect the SUBWOOFER OUTPUT JACK (33).

32. SUBWOOFER OUTPUT JACK - This jack is used to send a mono subwoofer output signal to a powered speaker or amplifier. Only connect a device that is designed to handle low frequencies to this jack.

33. 1/4" JACK BOOTH OUTPUTS JACKS - These RCA jacks send a low current unbalanced output signal and are controlled by the BOOTH LEVEL (22) volume control. These jacks should only be used for shorter cable runs to signal processors or looping to another mixer.

34. CHANNEL 4: LINE 8 RCA INPUT JACKS - These Jacks are used for line level inputs. Connect CD players or Tape Decks to LINE inputs. Line level musical instruments with stereo outputs such as Rhythm Machines or Samplers should also be connected to LINE inputs. Turntables should only be connected to "Phono" inputs. The red colored RCA jack represents the right channel input and the white represents the left channel input. Volume will be controlled by the channel four ROTARY FADER (6).

35. CHANNEL 4: LINE 7 INPUT JACKS - These Jacks are used for line level inputs. Connect CD players or Tape Decks to LINE inputs. Line level musical instruments with stereo outputs such as Rhythm Machines or Samplers should also be connected to LINE inputs. Turntables should only be connected to "Phono" inputs. The red colored RCA jack represents the right channel input and the white represents the left channel input. Volume will be controlled by the channel four ROTARY FADER (6).

36. CHANNEL 3: LINE 6 INPUT JACKS - These Jacks are used for line level inputs. Connect CD players or Tape Decks to LINE inputs. Line level musical instruments with stereo outputs such as Rhythm Machines or Samplers should also be connected to LINE inputs. Turntables should only be connected to "Phono" inputs. The red colored RCA jack represents the right channel input and the white represents the left channel input. Input volume will be controlled by the channel three ROTARY FADER (6).

37. CHANNEL 3: LINE 5 INPUT JACKS - These Jacks are used for line level inputs. Connect CD players or Tape Decks to LINE inputs. Line level musical instruments with stereo outputs such as Rhythm Machines or Samplers should also be connected to LINE inputs. Turntables should only be connected to "Phono" inputs. The red colored RCA jack represents the right channel input and the white represents the left channel input. Volume will be controlled by the channel three ROTARY FADER (6).

38. CHANNEL 2: LINE 4 INPUT JACKS - These Jacks are used for line level inputs. Connect CD players or Tape Decks to LINE inputs. Line level musical instruments with stereo outputs such as Rhythm Machines or Samplers should also be connected to LINE inputs. Turntables should only be connected to "Phono" inputs. The red colored RCA jack represents the right channel input and the white represents the left channel input. Input volume will be controlled by the channel two ROTARY FADER (6).

39. CHANNEL 2: PHONO 2/LINE 3 INPUT JACKS - Use these jacks to connect either a phono cartridge turntable or a line level device. The type of input device must directly reflect the mode of the LINE LEVEL SELECTOR SWITCH (31). Turntables equipped with MM pickup cartridge (All DJ

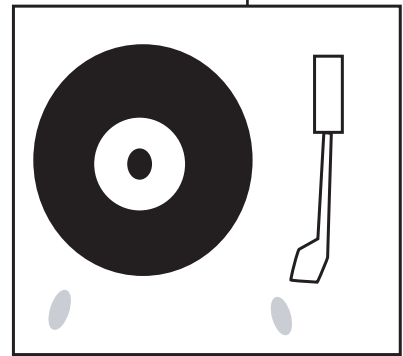
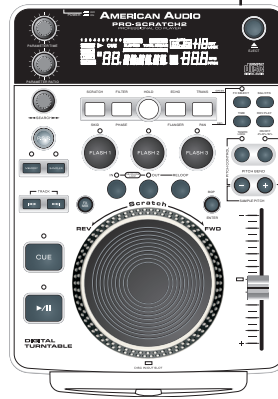
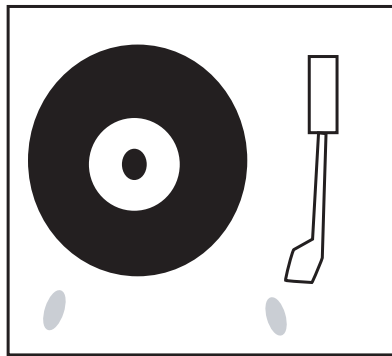
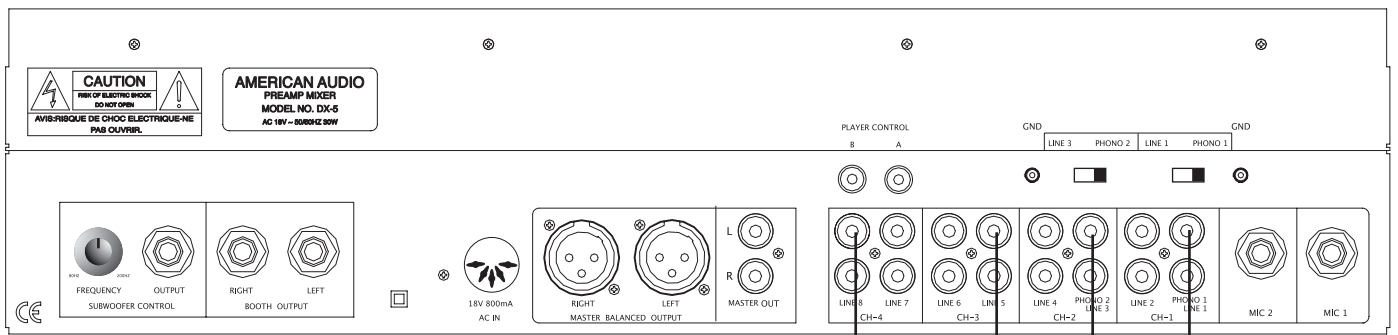
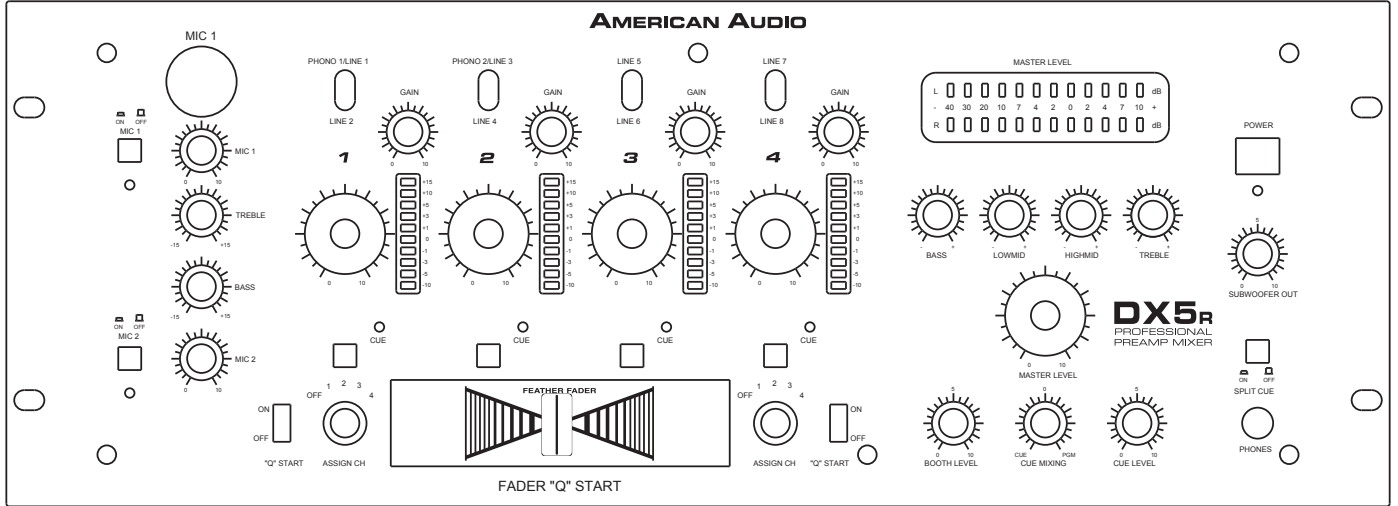
turntable use MM pick-up cartridges) may be connected to these jacks as long as the LINE LEVEL SELECTOR SWITCH (31) is in the “PHONO 1” position. CD players or Tape Decks and other line level instruments may be connected to these jacks as long as the LINE LEVEL SELECTOR SWITCH (31) is in the “LINE 1” position. The red colored RCA jack represents the right channel input and the white represents the left channel input. Input volume will be controlled by the channel two ROTARY FADER (6).

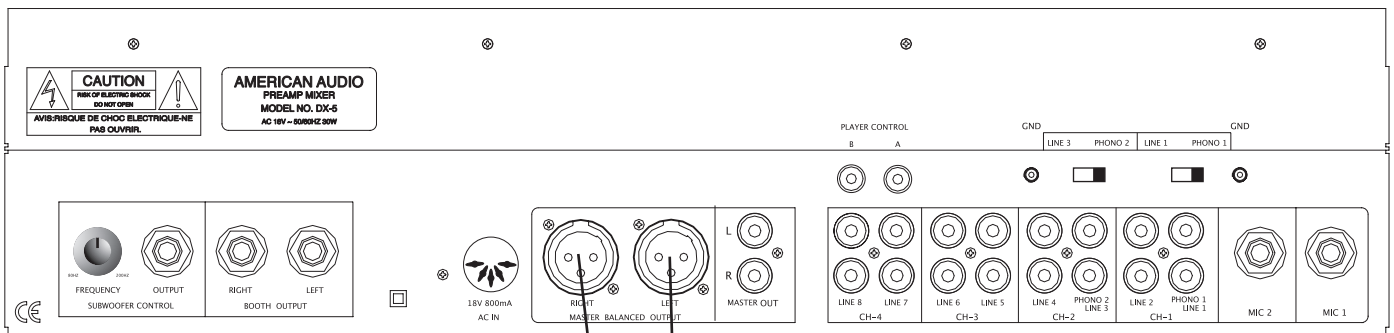
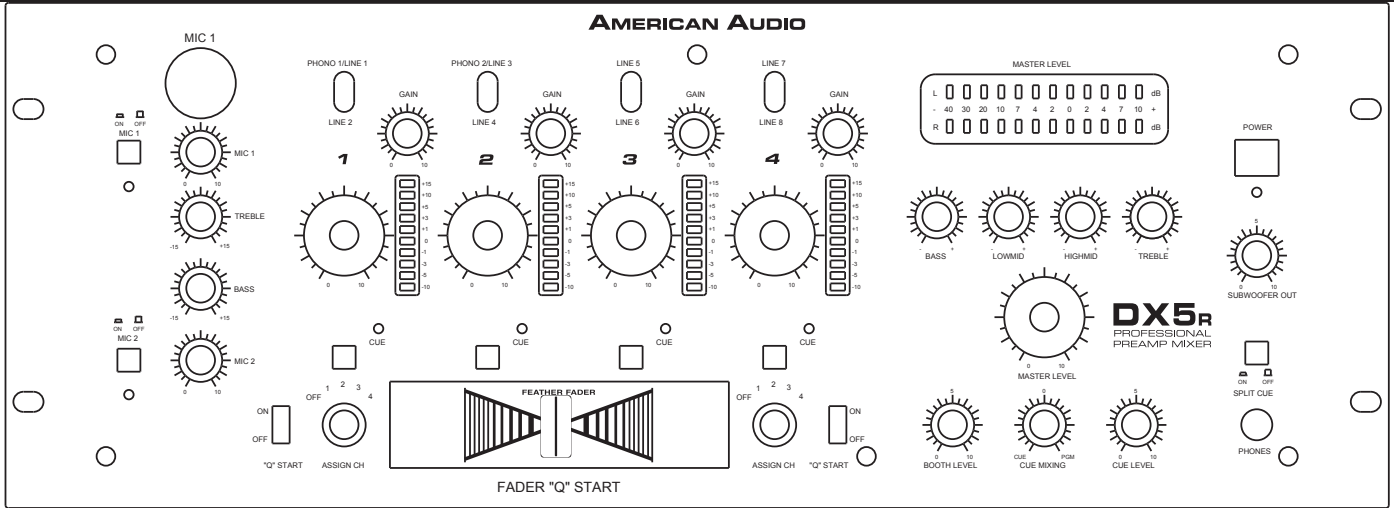
40. CHANNEL 1: LINE INPUT JACKS - These Jacks are used for line level inputs. Connect CD players or Tape Decks to LINE inputs. Line level musical instruments with stereo outputs such as Rhythm Machines or Samplers should also be connected to LINE inputs. Turntables should only be connected to “Phono” inputs. The red colored RCA jack represents the right channel input and the white represents the left channel input. Input volume will be controlled by the channel one ROTARY FADER (6).

41. CHANNEL 1: PHONO 1/LINE 1 INPUT JACKS - Use these jacks to connect either a phono cartridge turntable or a line level device. The type of input device must directly reflect the mode of the LINE LEVEL SELECTOR SWITCH (31). Turntables equipped with MM pickup cartridge (All DJ turntable use MM pick-up cartridges) may be connected to these jacks as long as the LINE LEVEL SELECTOR SWITCH (31) is in the “PHONO 1” position. CD players or Tape Decks and other line level instruments may be connected to these jacks as long as the LINE LEVEL SELECTOR SWITCH (31) is in the “LINE 1” position. The red colored RCA jack represents the right channel input and the white represents the left channel input. Input volume will be controlled by the channel one ROTARY FADER (6).

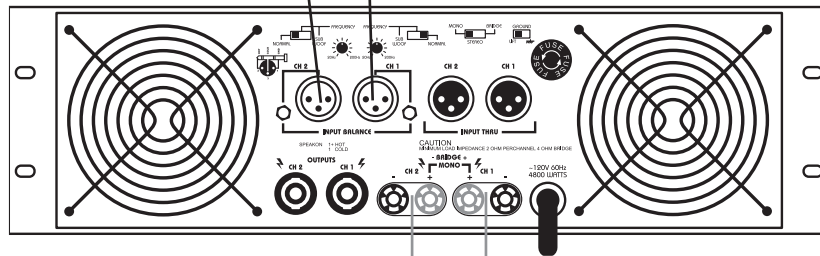
42. MICROPHONE 2 CONNECTOR - This jack is used to a connect a microphone to the mixer. Connect you microphone via 1/4 inch (6.3mm) jack. The signal volume will be controlled by the MIC 2 VOLUME KNOB (16).

43. MICROPHONE 1 CONNECTOR - This jack is used to a connect a microphone to the mixer. Connect you microphone via 1/4 inch (6.3mm) jack. The signal volume will be controlled by the MIC 1 VOLUME KNOB (3).

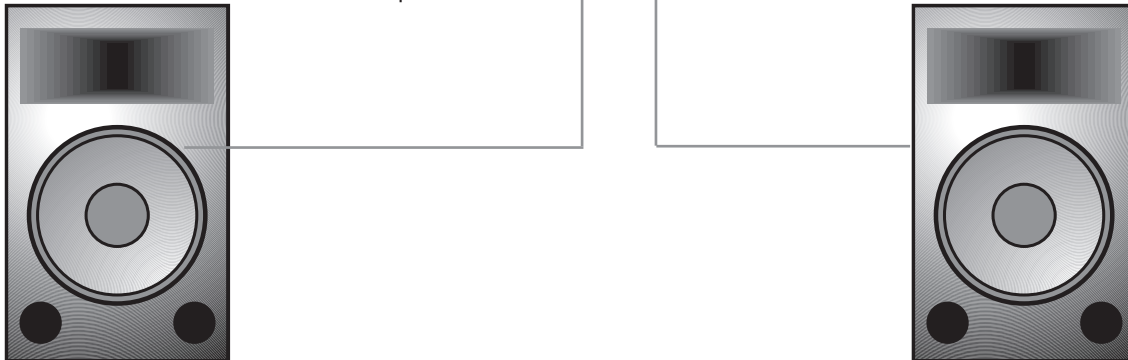




XLR Balanced Cables



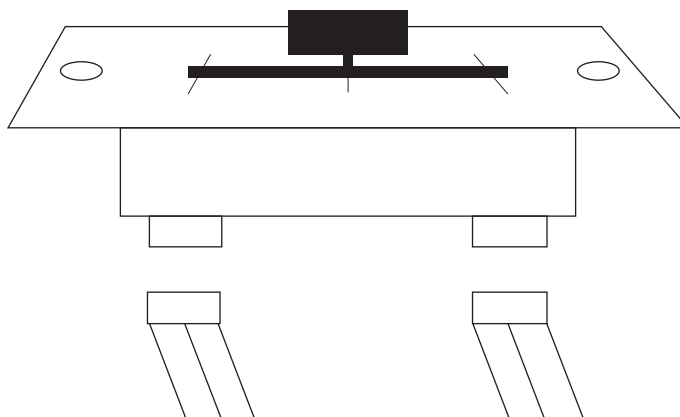
Speaker Cables



Due to fog residue, smoke, and dust, cleaning the mixer should be carried out periodically to optimize light output.

1. Use normal glass cleaner and a soft cloth to wipe down the outside casing.
2. Use a cleaner specially designed for electronics to spray in and around the knobs and switch. This will reduce small particle built up that can effect the proper operation of the mixer.
3. Clean should be carried out every 30-60 days.
4. Always be sure to dry all parts completely before plugging the mixer in.

Cleaning frequency depends on the environment in which the mixer operates (i.e. smoke, fog residue, dust, dew).



The crossfader is “Hot Swapable” which means it may be replaced at any time, even when power is applied. Only replace with American Audio Part Feather Fader Plus. Replacing with any other model fader may seriously damage your mixer.

Replacing the Crossfader:

1. Disconnect the mixers main power supply
2. Using a number two Phillips screw driver, unscrew the each of the stainless steel retaining screws that hold the crossfader in place.
3. Gently remove the crossfader from its seated position. You may need to wiggle the crossfader slightly to remove it.
4. After removing the crossfader, disconnect the ribbon cable that attaches the crossfader to the PC board. Grasp the crossfader by its base and pull the ribbon cable by its connector not the actual cables. The connector is designed to only fit one way, so don't worry about the connectors orientation.
5. Connect the new crossfader to the ribbon cable and reassemble in reverse order.

The DX5R™ carries a one year (365 days) limited warranty. Please fill out the enclosed warranty card to validate your purchase. All returned service items whether under warranty or not, must be freight pre-paid and accompany a return authorization (R.A.) number. The R.A. number must be clearly written on the outside of the return package. A brief description of the problem as well as the R.A. number must also be written down on a piece of paper and included in the shipping container. If the unit is under warranty, you must provide a copy of your proof of purchase invoice. You may obtain a R.A. number by contacting customer support at (800) 322-6337.

1-YEAR LIMITED WARRANTY

A. American Audio® hereby warrants, to the original purchaser, American Audio® products to be free of manufacturing defects in material and workmanship for a period of 1 Year (365 days) from the date of purchase. This warranty shall be valid only if the product is purchased within the United States of America, including possessions and territories. It is the owner's responsibility to establish the date and place of purchase by acceptable evidence, at the time service is sought.

B. For warranty service, send the product only to the American Audio® factory. All shipping charges must be pre-paid. If the requested repairs or service (including parts replacement) are within the terms of this warranty, American Audio® will pay return shipping charges only to a designated point within the United States. If the entire instrument is sent, it must be shipped in its original package. No accessories should be shipped with the product. If any accessories are shipped with the product, American Audio® shall have no liability whatsoever for loss of or damage to any such accessories, nor for the safe return thereof.

C. This warranty is void if the serial number has been altered or removed; if the product is modified in any manner which American Audio® concludes, after inspection, affects the reliability of the product; if the product has been repaired or serviced by anyone other than the American Audio® factory unless prior written authorization was issued to purchaser by American Audio®; if the product is damaged because not properly maintained as set forth in the instruction manual.

D. This is not a service contract, and this warranty does not include maintenance, cleaning or periodic check-up. During the period specified above, American Audio® will replace defective parts at its expense, and will absorb all expenses for warranty service and repair labor by reason of defects in material or workmanship. The sole responsibility of American Audio® under this warranty shall be limited to the repair of the product, or replacement thereof, including parts, at the sole discretion of American Audio®. All products covered by this warranty were manufactured after January 1, 1990, and bear identifying marks to that effect.

E. American Audio® reserves the right to make changes in design and/or improvements upon its products without any obligation to include these changes in any products theretofore manufactured.

F. No warranty, whether expressed or implied, is given or made with respect to any accessory supplied with products described above. Except to the extent prohibited by applicable law, all implied warranties made by American Audio® in connection with this product, including warranties of merchantability or fitness, are limited in duration to the warranty period set forth above. And no warranties, whether expressed or implied, including warranties of merchantability or fitness, shall apply to this product after said period has expired. The consumer's and or Dealer's sole remedy shall be such repair or replacement as is expressly provided above; and under no circumstances shall American Audio® be liable for any loss or damage, direct or consequential, arising out of the use of, or inability to use, this product.

G. This warranty is the only written warranty applicable to American Audio® Products and supersedes all prior warranties and written descriptions of warranty terms and conditions heretofore published.

Technical Specifications - Model: DX5R, 4 Channel Rotary Audio Mixer.

POWER SUPPLY:	AC 115/230V, 50/60Hz (External 18V~800mA Power Supply)
DIMENSIONS:	254 (W) x 308 (D) x 102.5 (H) mm
WEIGHT:	5.5 Lbs./2.8Kgs
CROSSFADER:	Optical detecting fader start control - Low Residue Resistance Crossfader.
POWER CONSUMPTION:	12 Watts Typical / 16 Watt with full headphone output
HEADPHONE IMPEDANCE:	16 Ohms
ENVIRONMENTAL CONDITION:	Operating Temperature 5 to 35 deg. C Humidity 25 to 85% RH (non-condensing) Storage Temperature -20 to 60 deg. C
INPUT SENSITIVITY:	
LINE:	10K ohm input impedance 70mV rms sensitivity for 0dBm output
PHONO:	47Kohm input impedance 1.1mV rms sensitivity @ 1KHz for 0dBm output
MICROPHONE:	10Kohm input impedance unbalanced 1.0mV rms sensitivity for 0dBm output 500mV rms max Input Sensitivity (Level/ Impedance): Note: 0dBV=1Vrms
OUTPUT SENSITIVITY:	
MASTER OUT:	9V rms max
HeadPHONES:	0.5W into 47ohm
FREQUENCY RESPONSE:	
LINE:	20Hz-22KHz +/-0.5dB
PHONO:	+/-1dB except for controlled attenuation of -3dB @ 20Hz to reduce rumble and feedback
MICROPHONE:	20Hz-15KHz +/-0.5dB
SIGNAL TO NOISE RATIO: (MAXIMUM OUTPUT):	
LINE:	Better than 94dB
PHONO:	Better than 85dB
MIC:	Better than 76dB
THD - Total Harmonic Distortion:	
MASTER OUTPUT:	Less Than 0.1%
EQUALIZER:	
BASS:	+12/-12dB @100Hz
LOW MIDDLE:	+12/-12dB @1KHz
HIGH MIDDLE:	+12/-12dB @4KHz
TREBLE:	+12/-12dB @12KHz

Components and parts are subject to change for improvements within the range of the specifications.



©American Audio®
A Division of the American DJ Group of Companies
American Audio World Headquarters:
4295 Charter Street
Los Angeles, CA 90058 USA
Tel: 323-582-2650 Fax: 323-582-2610
Web: www.AmericanAudio.us E-mail: info@AmericanAudio.us

Free Manuals Download Website

<http://myh66.com>

<http://usermanuals.us>

<http://www.somanuals.com>

<http://www.4manuals.cc>

<http://www.manual-lib.com>

<http://www.404manual.com>

<http://www.luxmanual.com>

<http://aubethermostatmanual.com>

Golf course search by state

<http://golfingnear.com>

Email search by domain

<http://emailbydomain.com>

Auto manuals search

<http://auto.somanuals.com>

TV manuals search

<http://tv.somanuals.com>