

Overview

All MMS Multimedia servers come with a Rack Rail Installation Kit, which includes the hardware required to mount the MMS servers in a standard 19-inch (48-cm) rack.

MMS-900 Servers use a more heavy-duty version of the installation kit to accommodate their size and weight. The rack-rail kit that comes with the MMS-900 comes with its own installation instructions.

Each Rack Rail Installation Kit supports one server, and the parts included in the rack rail hardware kit include:

- Two Outer Slide Rails
- Two Inner Server Rails
- Two Long Extension Brackets
- Two Short Extension Brackets
- Four 3-hole Locking Plates (with large holes)
- Four 3-hole Locking Plates (with small holes)
- Variety of screws (20 large, 20 small/long and 20 small/short)

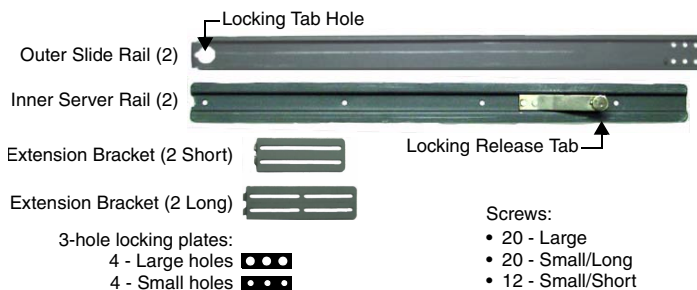


FIG. 1 Included Rack Kit Parts

Note: You may not need all the parts included in the rack rail hardware kit for every installation. You may have some parts left over.

The basic steps for installing the MMS server into a rack are:

1. Prepare the Slide Rail Assemblies: The Inner and Outer Rails must be separated before they can be attached to the MMS and the rack.
2. Attach the Inner Server Rails to the MMS Server.
3. Attach the Extension Brackets to the Outer Slide Rails.
4. Install the Outer Slide Rails in the server.
5. Slide the server (with Inner Server Rails attached) into the Outer Slide Rails in the rack.

Each step is described in more detail in the following subsections.

Step One: Prepare the Slide Rail Assemblies

The two Outer Slide Rails, and two Inner Server Rails come assembled in the rack rail hardware kit. You must separate these pieces before beginning. The Inner Server Rails will be attached to the MMS chassis.

To detach the server rails from the slide rail assemblies:

1. Place the two slide rail assemblies on a flat surface.
2. Extend the Inner Server Rail from the slide rail assembly until the Inner Server Rail release latch clicks and locks.
3. Holding down the latch on the back side of the Inner Server Rail, slip the server rail out of the inner slide.
4. Repeat Steps 2 and 3 for the second slide rail assembly.

Set the Inner Server Rails aside. You will attach them to the MMS chassis (as described in the next section).

Step Two: Attach the Inner Server Rails to the MMS chassis

The inner slide rails attach to the MMS server chassis, with the locking Release Tab facing out from the server, as indicated in FIG. 2.

Slide the notched end of the rail under the tab in the front of the server and screw into place towards the rear of the rail using the *small/short* screws (four per side).

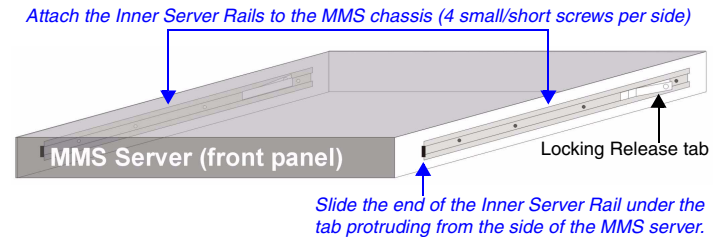


FIG. 2 Attaching the Inner Server Rails to the MMS chassis

Step Three: Attach the Extension Brackets to the Outer Rails

The Extension Brackets attach to the outer rails (using the 3-hole locking plates). You will choose either the *Short* Extension Brackets, or the *Long* Extension Brackets, depending on the depth of the rack you are mounting the MMS into.

1. Attach the *Extension Bracket* to the *Outer Rail* using the *small/long* screws and a 3-hole Locking Plate, as shown in FIG. 3. Select the type of locking plate (large or small holes) that works best with the rack you are using.

Note: Depending on the type of rack you are using, you may need to use *Extension Brackets* on the front of the server as well.

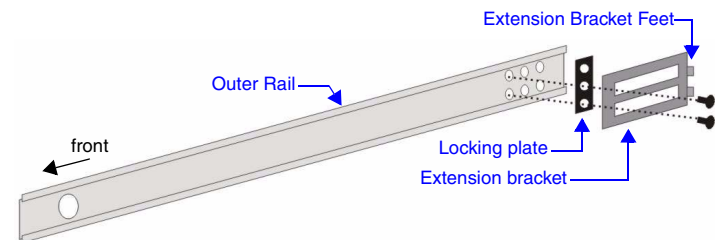


FIG. 3 Attaching the Extension Bracket to the Outer Rail (using a Locking Plate)

2. The feet of the Extension Bracket are placed at the end of the rail. The type of cabinet/rack you are using will dictate whether the Extension Bracket feet should point in towards the server or out towards the rack.
3. Repeat the process for the opposite Outer Rail.

Step Four: Install the Outer Rail/Extension Bracket Assemblies in the Rack

Once both of the Outer Rail/Bracket assemblies (from the previous step) are prepared, they can be installed into the rack cabinet. Follow these steps for both of the Outer Rail/Bracket assemblies:

1. Insert the Outer Rail/Bracket assembly into the rack. Make sure that the Extension Bracket is situated towards the rear of the rack.
2. Attach the rear end of the Outer Rail/Bracket assembly to the rack with two screws, (securing the Extension Bracket, Locking Plate and Outer Rail to the rear flange of the rack cabinet).
3. Align the front of the Outer Rail/Bracket assembly to the front flange on the rack, and secure using two screws.

Step Five: Load the MMS Server Into the Rack

Once the Outer Rail/Bracket assemblies have been installed in the rack cabinet, the MMS server can slide into the rack, using the Inner Server Rails (already attached to the server chassis):

1. Carefully align the front of the Outer Slide Rails (in the rack) with the Inner Server Rails (on the MMS server chassis).
2. Slowly slide the MMS server, into the outer slide rails. *Keep the MMS parallel to the floor when sliding the server rails into the slide rails. Tilting the server up or down could result in damage to the slide rail assembly.*
3. Push the locking tabs in to lock into place. The MMS server slides into the rack until the Locking Release Tabs on the Inner Server Rails engage the Outer Slide Rails.

Note: Be careful when pressing the Inner Server Rail release latches and sliding the server into the rack. The slide rails could pinch your fingertips.

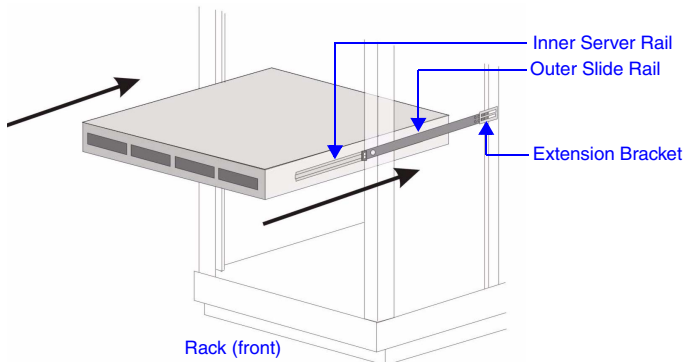


FIG. 4 Sliding the MMS server chassis into the rack

Free Manuals Download Website

<http://myh66.com>

<http://usermanuals.us>

<http://www.somanuals.com>

<http://www.4manuals.cc>

<http://www.manual-lib.com>

<http://www.404manual.com>

<http://www.luxmanual.com>

<http://aubethermostatmanual.com>

Golf course search by state

<http://golfingnear.com>

Email search by domain

<http://emailbydomain.com>

Auto manuals search

<http://auto.somanuals.com>

TV manuals search

<http://tv.somanuals.com>