

29" (73.7 CM) ELECTRIC DRYER INSTALLATION INSTRUCTIONS

INSTRUCTIONS POUR L'INSTALLATION DE LA SÈCHEUSE ÉLECTRIQUE DE 29" (73,7 CM)

Table of Contents / Table des matières

DRYER SAFETY	1	SÉCURITÉ DE LA SÈCHEUSE	16
INSTALLATION INSTRUCTIONS	2	INSTRUCTIONS D'INSTALLATION	16
Tools and Parts	2	Outils et pièces	16
Location Requirements	2	Exigences d'emplacement	17
Electrical Requirements - U.S.A.	3	Spécifications électriques- Canada.....	18
Electrical Requirements - Canada.....	5	Exigences concernant l'évacuation.....	19
Electrical Connection - U.S.A. Only.....	6	Planification du système d'évacuation.....	20
Venting Requirements.....	11	Installation du système d'évacuation	21
Plan Vent System	12	Installation des pieds de nivellement.....	21
Install Vent System.....	13	Mise à niveau de la sècheuse.....	22
Install Leveling Legs.....	13	Raccordement du conduit d'évacuation.....	22
Level Dryer	13	Inversion du sens d'ouverture de la	
Connect Vent.....	13	porte (facultatif)	22
Reverse Door Swing (Optional).....	14	Achever l'installation	23
Complete Installation	15		

Para obtener acceso al manual de uso y cuidado en español, o para obtener información adicional acerca de su producto, visite: www.whirlpool.com.

Tenga listo su número de modelo completo. Puede encontrar el número de modelo y de serie dentro de la cavidad superior de la puerta.

DRYER SAFETY

Your safety and the safety of others are very important.

We have provided many important safety messages in this manual and on your appliance. Always read and obey all safety messages.



This is the safety alert symbol.

This symbol alerts you to potential hazards that can kill or hurt you and others.

All safety messages will follow the safety alert symbol and either the word "DANGER" or "WARNING."

These words mean:

⚠ DANGER

You can be killed or seriously injured if you don't immediately follow instructions.

⚠ WARNING

You can be killed or seriously injured if you don't follow instructions.

All safety messages will tell you what the potential hazard is, tell you how to reduce the chance of injury, and tell you what can happen if the instructions are not followed.

INSTALLATION INSTRUCTIONS

Tools and Parts

Gather the required tools and parts before starting installation. Read and follow the instructions provided with any tools listed here.

- Flat-blade screwdriver
- #2 Phillips screwdriver
- Adjustable wrench that opens to 1" (2.54 cm) or hex-head socket wrench (for adjusting dryer feet)
- Wire stripper (for U.S. only, direct wire installations)
- Tin snips (new vent installations)
- Level
- Vent clamps
- Caulking gun and compound (for installing new exhaust vent)
- Tape measure

Parts supplied:

Remove parts package from dryer drum. Check that all parts were included.



4 leveling legs

Parts needed:

Check local codes, check existing electrical supply and venting and see "Electrical Requirements" and "Venting Requirements" before purchasing parts.

Mobile home installations require metal exhaust system hardware available for purchase from the dealer from whom you purchased your dryer. For further information, please reference the "Assistance or Service" section of the Dryer User Instructions.

If using a power supply cord:

Use a UL listed power supply cord kit marked for use with clothes dryers. The kit should contain:

- A UL listed 30-amp power supply cord, rated 120/240 volt minimum. The cord should be type SRD or SRDT and be at least 4 ft (1.22 m) long. The wires that connect to the dryer must end in ring terminals or spade terminals with upturned ends.
- A UL listed strain relief.

Location Requirements

⚠ WARNING



Explosion Hazard

Keep flammable materials and vapors, such as gasoline, away from dryer.

Place dryer at least 18 inches (46 cm) above the floor for a garage installation.

Failure to do so can result in death, explosion, or fire.

You will need

- A location that allows for proper exhaust installation. See "Venting Requirements."
- A separate 30-amp circuit.
- If you are using a power supply cord, a grounded electrical outlet located within 2 ft (61 cm) of either side of the dryer. See "Electrical Requirements."
- A sturdy floor to support the total weight (dryer and load) of 200 lbs (90.7 kg). The combined weight of a companion appliance should also be considered.
- A level floor with a maximum slope of 1" (2.5 cm) under entire dryer. (If slope is greater than 1" [2.5 cm], install Extended Dryer Feet Kit, Part Number 279810.) Clothes may not tumble properly and models with automatic sensor cycles may not operate correctly if dryer is not level.

Do not operate your dryer at temperatures below 45°F (7°C). At lower temperatures, the dryer might not shut off at the end of an automatic cycle. Drying times can be extended.

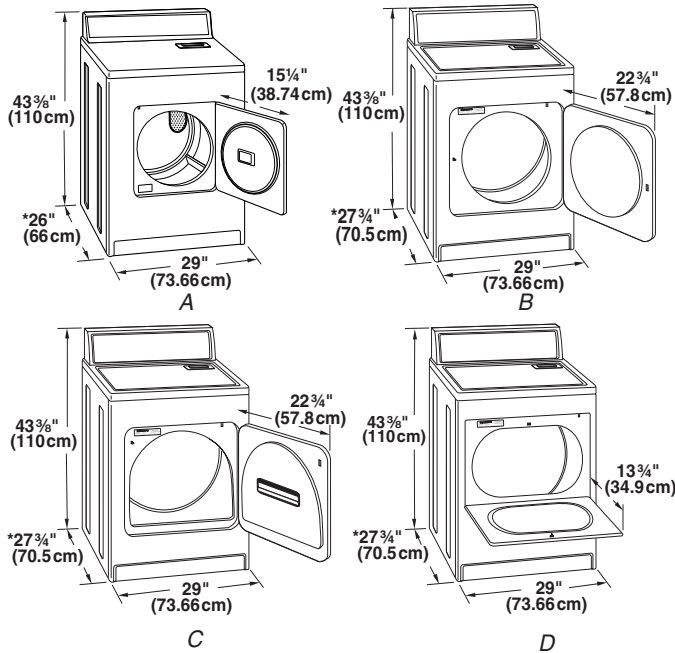
The dryer must not be installed or stored in an area where it will be exposed to water and/or weather.

Check code requirements. Some codes limit, or do not permit, installation of the dryer in garages, closets, mobile homes or sleeping quarters. Contact your local building inspector.

Installation Clearances

The location must be large enough to allow the dryer door to open fully.

Dryer Dimensions



A. Small opening side-swing door
 B. Large opening side-swing door
 C. Wide opening side-swing door
 D. Wide opening hamper door

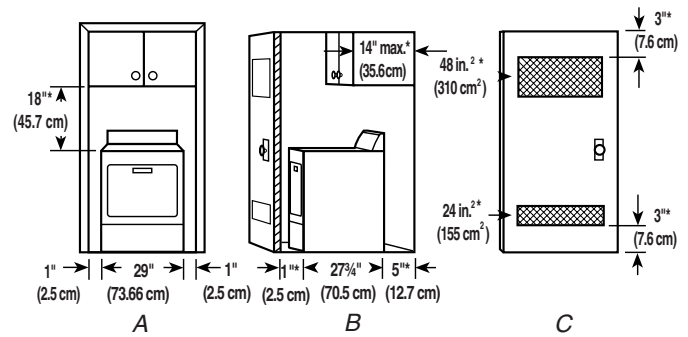
*Most installations require a minimum 5" (12.7 cm) clearance behind the dryer for the exhaust vent with elbow. See "Venting Requirements."

Installation spacing for recessed area or closet installation

The following spacing dimensions are recommended for this dryer. This dryer has been tested for spacing of 0" (0 cm) clearance on the sides and rear. Recommended spacing should be considered for the following reasons:

- Additional spacing should be considered for ease of installation and servicing.
- Additional clearances might be required for wall, door and floor moldings.
- Additional spacing should be considered on all sides of the dryer to reduce noise transfer.
- For closet installation, with a door, minimum ventilation openings in the top and bottom of the door are required. Louvered doors with equivalent ventilation openings are acceptable.

- Companion appliance spacing should also be considered.



A. Recessed area
 B. Side view - closet or confined area
 C. Closet door with vents

*Required spacing

Mobile Home - Additional Installation Requirements

This dryer is suitable for mobile home installations. The installation must conform to the Manufactured Home Construction and Safety Standard, Title 24 CFR, Part 3280 (formerly the Federal Standard for Mobile Home Construction and Safety, Title 24, HUD Part 280) or the Canadian Manufactured Home Standard, CAN/CSA-Z240 MH.

Mobile home installations require:

- Metal exhaust system hardware, which is available for purchase from your dealer.
- Special provisions must be made in mobile homes to introduce outside air into the dryer. The opening (such as a nearby window) should be at least twice as large as the dryer exhaust opening.

Electrical Requirements - U.S.A.

It is your responsibility

- To contact a qualified electrical installer.
- To be sure that the electrical connection is adequate and in conformance with the National Electrical Code, ANSI/NFPA 70-latest edition and all local codes and ordinances.
 The National Electric Code requires a 4-wire supply connection for homes built after 1996, dryer circuits involved in remodeling after 1996, and all mobile home installations.
 A copy of the above code standards can be obtained from: National Fire Protection Association, One Batterymarch Park, Quincy, MA 02269.
- To supply the required 3 or 4 wire, single phase, 120/240 volt, 60 Hz., AC only electrical supply (or 3 or 4 wire, 120/208 volt electrical supply, if specified on the serial/rating plate) on a separate 30-amp circuit, fused on both sides of the line. A time-delay fuse or circuit breaker is recommended. Connect to an individual branch circuit. Do not have a fuse in the neutral or grounding circuit.
- Do not use an extension cord.
- If codes permit and a separate ground wire is used, it is recommended that a qualified electrician determine that the ground path is adequate.

Electrical Connection

To properly install your dryer, you must determine the type of electrical connection you will be using and follow the instructions provided for it here.

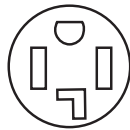
- If local codes do not permit the connection of a neutral ground wire to the neutral wire, see "Optional 3-wire connection" section.
- This dryer is manufactured ready to install with a 3-wire electrical supply connection. The neutral ground wire is permanently connected to the neutral conductor (white wire) within the dryer. If the dryer is installed with a 4-wire electrical supply connection, the neutral ground wire must be removed from the external ground conductor screw (green screw), and secured under the neutral terminal (center or white wire) of the terminal block. When the neutral ground wire is secured under the neutral terminal (center or white wire) of the terminal block, the dryer cabinet is isolated from the neutral conductor.
- A 4-wire power supply connection must be used when the appliance is installed in a location where grounding through the neutral conductor is prohibited. Grounding through the neutral is prohibited for (1) new branch-circuit installations, (2) mobile homes, (3) recreational vehicles, and (4) areas where local codes prohibit grounding through the neutral conductors.

If using a power supply cord:

Use a UL listed power supply cord kit marked for use with clothes dryers. The kit should contain:

- A UL listed 30-amp power supply cord, rated 120/240 volt minimum. The cord should be type SRD or SRDT and be at least 4 ft (1.22 m) long. The wires that connect to the dryer must end in ring terminals or spade terminals with upturned ends.
- A UL listed strain relief.

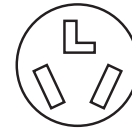
If your outlet looks like this:



4-wire receptacle (14-30R)

Then choose a 4-wire power supply cord with ring or spade terminals and UL listed strain relief. The 4-wire power supply cord, at least 4 ft (1.22 m) long, must have 4 10-gauge solid copper wires and match a 4-wire receptacle of NEMA Type 14-30R. The ground wire (ground conductor) may be either green or bare. The neutral conductor must be identified by a white cover.

If your outlet looks like this:



3-wire receptacle (10-30R)

Then choose a 3-wire power supply cord with ring or spade terminals and UL listed strain relief. The 3-wire power supply cord, at least 4 ft (1.22 m) long, must have three 10-gauge solid copper wires and match a 3-wire receptacle of NEMA Type 10-30R.

If connecting by direct wire:

Power supply cable must match power supply (4-wire or 3-wire) and be:

- Flexible armored cable or nonmetallic sheathed copper cable (with ground wire), protected with flexible metallic conduit. All current-carrying wires must be insulated.
- 10-gauge solid copper wire (do not use aluminum).
- At least 5 ft (1.52 m) long.

GROUNDING INSTRUCTIONS

- For a grounded, cord-connected dryer:
This dryer must be grounded. In the event of malfunction or breakdown, grounding will reduce the risk of electric shock by providing a path of least resistance for electric current. This dryer uses a cord having an equipment-grounding conductor and a grounding plug. The plug must be plugged into an appropriate outlet that is properly installed and grounded in accordance with all local codes and ordinances.
- For a permanently connected dryer:
This dryer must be connected to a grounded metal, permanent wiring system, or an equipment-grounding conductor must be run with the circuit conductors and connected to the equipment-grounding terminal or lead on the dryer.

WARNING: Improper connection of the equipment-grounding conductor can result in a risk of electric shock. Check with a qualified electrician or service representative or personnel if you are in doubt as to whether the dryer is properly grounded. Do not modify the plug on the power supply cord: if it will not fit the outlet, have a proper outlet installed by a qualified electrician.

SAVE THESE INSTRUCTIONS

Electrical Requirements - Canada

! WARNING



Electrical Shock Hazard

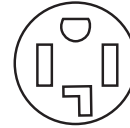
Plug into a grounded 4 prong outlet.

Failure to do so can result in death or electrical shock.

It is your responsibility

- To contact a qualified electrical installer.
- To be sure that the electrical connection is adequate and in conformance with the Canadian Electrical Code, C22.1-latest edition and all local codes. A copy of the above codes standard may be obtained from: Canadian Standards Association, 178 Rexdale Blvd., Toronto, ON M9W 1R3 CANADA.
- To supply the required 4 wire, single phase, 120/240 volt, 60 Hz., AC only electrical supply on a separate 30-amp circuit, fused on both sides of the line. A time-delay fuse or circuit breaker is recommended. Connect to an individual branch circuit.

- This dryer is equipped with a CSA International Certified Power Cord intended to be plugged into a standard 14-30R wall receptacle. The cord is 5 ft (1.52 m) in length. Be sure wall receptacle is within reach of dryer's final location.



4-wire receptacle 14-30R

- Do not use an extension cord.

If you are using a replacement power supply cord, it is recommended that you use Power Supply Cord Replacement Part Number 3394208. For further information, please reference the service numbers located in the Dryer User Instructions.

GROUNDING INSTRUCTIONS

- For a grounded, cord-connected dryer:
This dryer must be grounded. In the event of malfunction or breakdown, grounding will reduce the risk of electric shock by providing a path of least resistance for electric current. This dryer is equipped with a cord having an equipment-grounding conductor and a grounding plug. The plug must be plugged into an appropriate outlet that is properly installed and grounded in accordance with all local codes and ordinances.

WARNING: Improper connection of the equipment-grounding conductor can result in a risk of electric shock. Check with a qualified electrician or service representative or personnel if you are in doubt as to whether the dryer is properly grounded. Do not modify the plug provided with the dryer: if it will not fit the outlet, have a proper outlet installed by a qualified electrician.

SAVE THESE INSTRUCTIONS

Electrical Connection - U.S.A. Only

Power Supply Cord

⚠ WARNING



Fire Hazard

- Use a new UL listed 30 amp power supply cord.
- Use a UL listed strain relief.
- Disconnect power before making electrical connections.
- Connect neutral wire (white or center wire) to center terminal (silver).
- Ground wire (green or bare wire) must be connected to green ground connector.
- Connect remaining 2 supply wires to remaining 2 terminals (gold).
- Securely tighten all electrical connections.
- Failure to do so can result in death, fire, or electrical shock.

Direct Wire

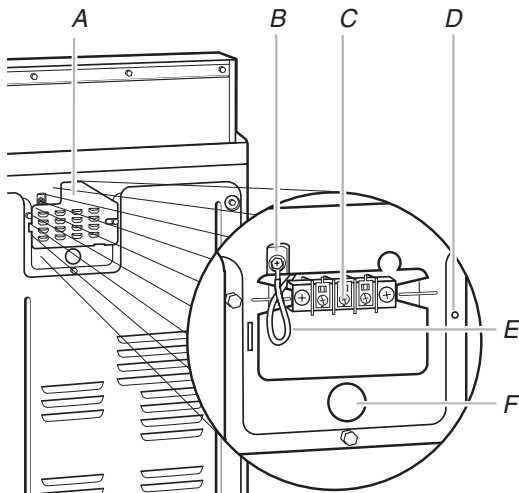
⚠ WARNING



Fire Hazard

- Use 10 gauge solid copper wire.
- Use a UL listed strain relief.
- Disconnect power before making electrical connections.
- Connect neutral wire (white or center wire) to center terminal (silver).
- Ground wire (green or bare wire) must be connected to green ground connector.
- Connect remaining 2 supply wires to remaining 2 terminals (gold).
- Securely tighten all electrical connections.
- Failure to do so can result in death, fire, or electrical shock.

1. Disconnect power.
2. Remove the hold-down screw and terminal block cover.

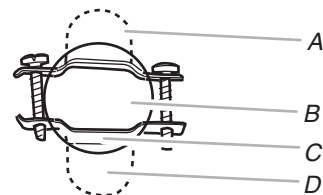


- A. Terminal block cover
- B. External ground conductor screw
- C. Center, silver-colored terminal block screw
- D. Hold-down screw location
- E. Neutral ground wire
- F. Hole below terminal block opening

3. Install strain relief.

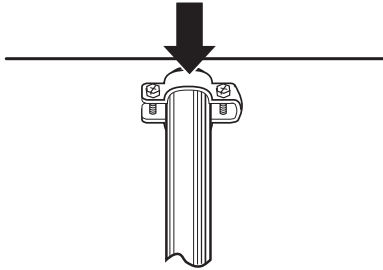
Style 1: Power supply cord strain relief

- Remove the screws from a 3/4" (1.9 cm) UL listed strain relief (UL marking on strain relief). Put the tabs of the two clamp sections into the hole below the terminal block opening so that one tab is pointing up and the other is pointing down, and hold in place. Tighten strain relief screws just enough to hold the two clamp sections together.



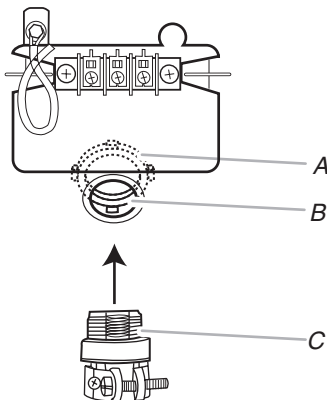
- A. Strain relief tab pointing up
- B. Hole below terminal block opening
- C. Clamp section
- D. Strain relief tab pointing down

- Put power supply cord through the strain relief. Be sure that the wire insulation on the power supply cord is inside the strain relief. The strain relief should have a tight fit with the dryer cabinet and be in a horizontal position. Do not further tighten strain relief screws at this point.



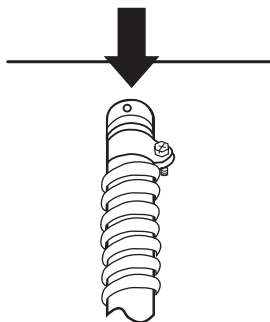
Style 2: Direct wire strain relief

- Unscrew the removable conduit connector and any screws from a 3/4" (1.9 cm) UL listed strain relief (UL marking on strain relief). Put the threaded section of the strain relief through the hole below the terminal block opening. Reaching inside the terminal block opening, screw the removable conduit connector onto the strain relief threads.




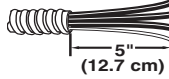

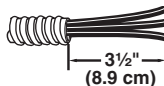
A. Removable conduit connector
B. Hole below terminal block opening
C. Strain relief threads

- Put direct wire cable through the strain relief. The strain relief should have a tight fit with the dryer cabinet and be in a horizontal position. Tighten strain relief screw against the direct wire cable.



- Now complete installation following instructions for your type of electrical connection:
4-wire (recommended)
3-wire (if 4-wire is not available)

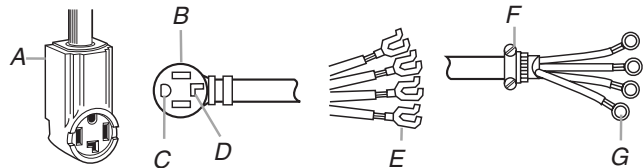
Electrical Connection Options

If your home has:	And you will be connecting to:	Go to Section
4-wire receptacle (NEMA Type 14-30R) 	A UL listed, 120/240-volt minimum, 30-amp, dryer power supply cord*	4-wire connection: Power supply cord
4-wire direct 	A fused disconnect or circuit breaker box*	4-wire connection: Direct Wire
3-wire receptacle (NEMA type 10-30R) 	A UL listed, 120/240-volt minimum, 30-amp, dryer power supply cord*	3-wire connection: Power supply cord
3-wire direct 	A fused disconnect or circuit breaker box*	3-wire connection: Direct Wire

*If local codes do not permit the connection of a cabinet-ground conductor to the neutral wire, go to "Optional 3-wire connection" section.

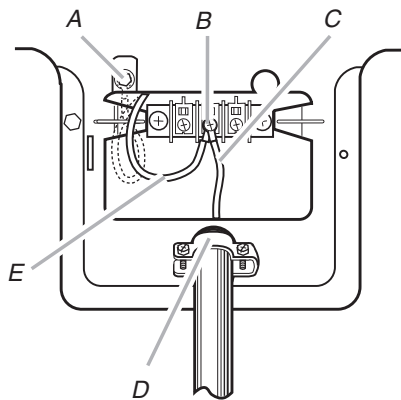
4-wire connection: Power Supply Cord

IMPORTANT: A 4-wire connection is required for mobile homes and where local codes do not permit the use of 3-wire connections.



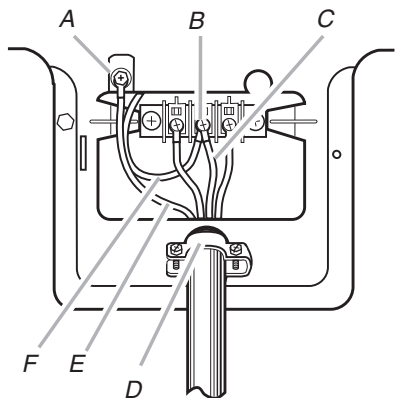
A. 4-wire receptacle (NEMA type 14-30R)
B. 4-prong plug
C. Ground prong
D. Neutral prong
E. Spade terminals with upturned ends
F. 3/4" (1.9 cm) UL listed strain relief
G. Ring terminals

1. Remove center silver-colored terminal block screw.
2. Remove neutral ground wire from external ground conductor screw. Connect neutral ground wire and the neutral wire (white or center wire) of power supply cord under center, silver-colored terminal block screw. Tighten screw.



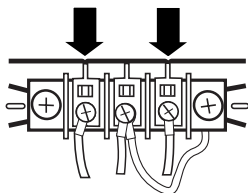
- A. External ground conductor screw - Dotted line shows position of NEUTRAL ground wire before being moved to center silver-colored terminal block screw.
 B. Center silver-colored terminal block screw
 C. Neutral wire (white or center wire)
 D. $\frac{3}{4}$ " (1.9 cm) UL listed strain relief
 E. Neutral ground wire

3. Connect ground wire (green or bare) of power supply cord to external ground conductor screw. Tighten screw.



- A. External ground conductor screw
 B. Center silver-colored terminal block screw
 C. Neutral wire (white or center wire)
 D. $\frac{3}{4}$ " (1.9 cm) UL listed strain relief
 E. Ground wire (green or bare) of power supply cord
 F. Neutral ground wire

4. Connect the other wires to outer terminal block screws. Tighten screws.



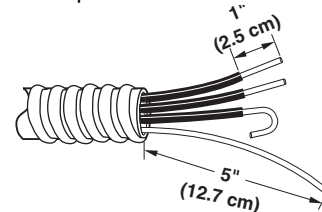
5. Tighten strain relief screws.
6. Insert tab of terminal block cover into slot of dryer rear panel. Secure cover with hold-down screw.
7. You have completed your electrical connections. Now go to "Venting Requirements."

4-wire connection: Direct Wire

IMPORTANT: A 4-wire connection is required for mobile homes and where local codes do not permit the use of 3-wire connections.

Direct wire cable must have 5 ft (1.52 m) of extra length so dryer can be moved if needed.

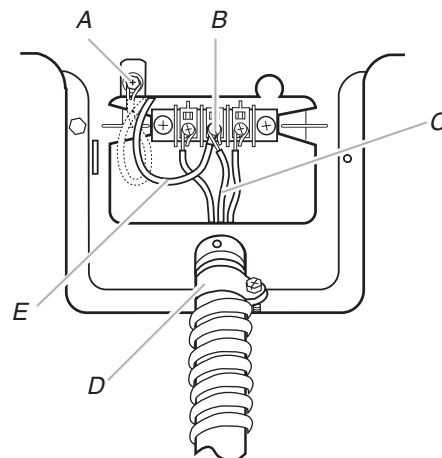
Strip 5" (12.7 cm) of outer covering from end of cable, leaving bare ground wire at 5" (12.7 cm). Cut $1\frac{1}{2}$ " (3.8 cm) from 3 remaining wires. Strip insulation back 1" (2.5 cm). Shape ends of wires into a hook shape.



When connecting to the terminal block, place the hooked end of the wire under the screw of the terminal block (hook facing right), squeeze hooked end together and tighten screw, as shown.

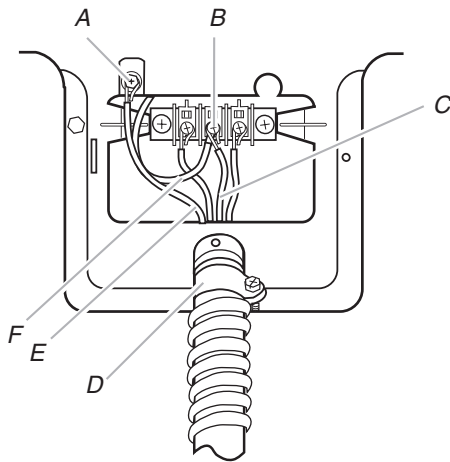


1. Remove center silver-colored terminal block screw.
2. Remove neutral ground wire from external ground conductor screw. Connect neutral ground wire and place the hooked end (hook facing right) of the neutral wire (white or center wire) of direct wire cable under the center screw of the terminal block. Squeeze hooked ends together. Tighten screw.



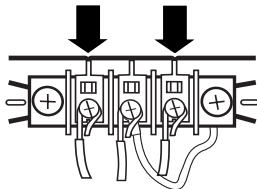
- A. External ground conductor screw - Dotted line shows position of NEUTRAL ground wire before being moved to center silver-colored terminal block screw.
 B. Center silver-colored terminal block screw
 C. Neutral wire (white or center wire)
 D. $\frac{3}{4}$ " (1.9 cm) UL listed strain relief
 E. Neutral ground wire

3. Connect ground wire (green or bare) of power supply cable to external ground conductor screw. Tighten screw.



- A. External ground conductor screw
- B. Center silver-colored terminal block screw
- C. Neutral wire (white or center wire)
- D. $\frac{3}{4}$ " (1.9 cm) UL listed strain relief
- E. Ground wire (green or bare) of power supply cable
- F. Neutral ground wire

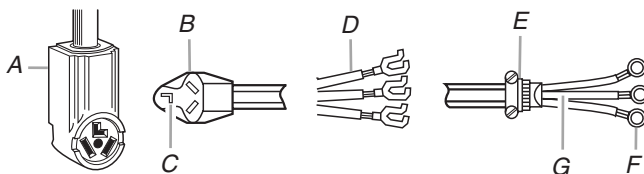
4. Place the hooked ends of the other power supply cable wires under the outer terminal block screws (hooks facing right). Squeeze hooked ends together. Tighten screws.



5. Tighten strain relief screws.
6. Insert tab of terminal block cover into slot of dryer rear panel. Secure cover with hold-down screw.
7. You have completed your electrical connections. Now go to "Venting Requirements."

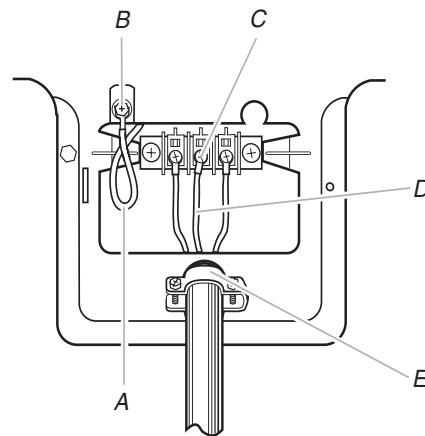
3-wire connection: Power Supply Cord

Use where local codes permit connecting cabinet-ground conductor to neutral wire:



- A. 3-wire receptacle (NEMA type 10-30R)
- B. 3-wire plug
- C. Neutral prong
- D. Spade terminals with up turned ends
- E. $\frac{3}{4}$ " (1.9 cm) UL listed strain relief
- F. Ring terminals
- G. Neutral (white or center wire)

1. Loosen or remove center silver-colored terminal block screw.
2. Connect neutral wire (white or center wire) of power supply cord to the center, silver-colored terminal screw of the terminal block. Tighten screw.



- A. Neutral ground wire
- B. External ground conductor screw
- C. Center silver-colored terminal block screw
- D. Neutral wire (white or center wire)
- E. $\frac{3}{4}$ " (1.9 cm) UL listed strain relief

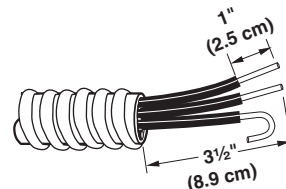
3. Connect the other wires to outer terminal block screws. Tighten screws.
4. Tighten strain relief screws.
5. Insert tab of terminal block cover into slot of dryer rear panel. Secure cover with hold-down screw.
6. You have completed your electrical connections. Now go to "Venting Requirements."

3-wire connection: Direct Wire

Use where local codes permit connecting cabinet-ground conductor to neutral wire.

Direct wire cable must have 5 ft (1.52 m) of extra length so dryer can be moved if needed.

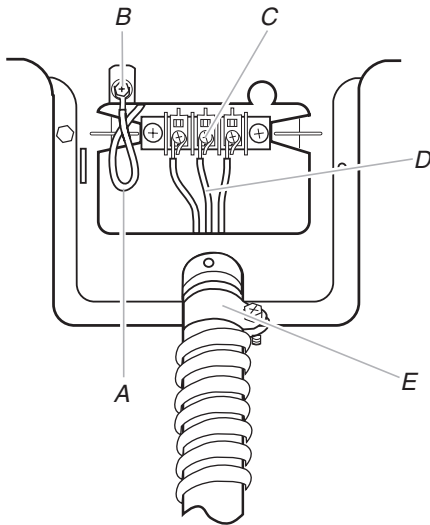
Strip $3\frac{1}{2}$ " (8.9 cm) of outer covering from end of cable. Strip insulation back 1" (2.5 cm). If using 3-wire cable with ground wire, cut bare wire even with outer covering. Bend ends of wires into a hook shape.



When connecting to the terminal block, place the hooked end of the wire under the screw of the terminal block (hook facing right), squeeze hooked end together and tighten screw, as shown.

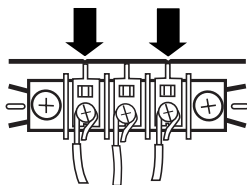


1. Loosen or remove center silver-colored terminal block screw.
2. Place the hooked end of the neutral wire (white or center wire) of power supply cable under the center screw of terminal block (hook facing right). Squeeze hooked end together. Tighten screw.



- A. Neutral ground wire
- B. External ground conductor screw
- C. Center silver-colored terminal block screw
- D. Neutral wire (white or center wire)
- E. $\frac{3}{4}$ " (1.9 cm) UL listed strain relief

3. Place the hooked ends of the other power supply cable wires under the outer terminal block screws (hooks facing right). Squeeze hooked ends together. Tighten screws.

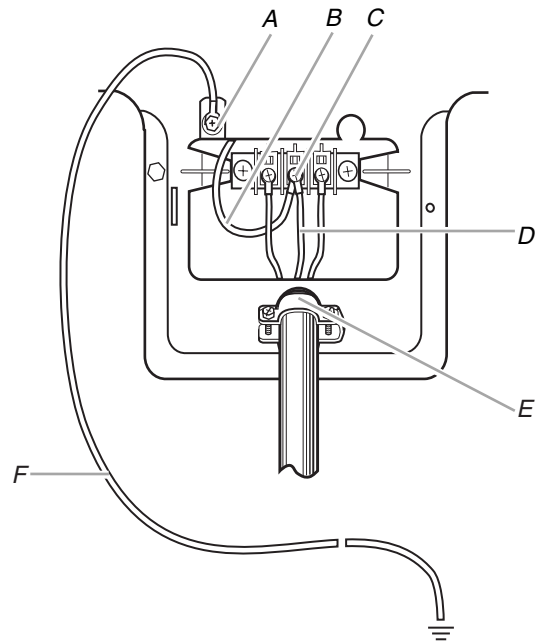


4. Tighten strain relief screw.
5. Insert tab of terminal block cover into slot of dryer rear panel. Secure cover with hold-down screw.
6. You have completed your electrical connections. Now go to "Venting Requirements."

Optional 3-wire connection

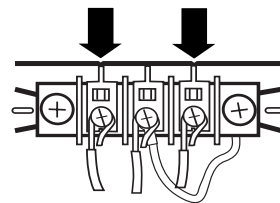
Use for direct wire or power supply cord where local codes do not permit connecting cabinet-ground conductor to neutral wire.

1. Remove center silver-colored terminal block screw.
2. Remove neutral ground wire from external ground conductor screw. Connect neutral ground wire and the neutral wire (white or center wire) of power supply cord/cable under center, silver-colored terminal block screw. Tighten screw.



- A. External ground conductor screw
- B. Neutral ground wire
- C. Center silver-colored terminal block screw
- D. Neutral wire (white or center wire)
- E. $\frac{3}{4}$ " (1.9 cm) UL listed strain relief
- F. Grounding path determined by a qualified electrician

3. Connect the other wires to outer terminal block screws. Tighten screws.



4. Tighten strain relief screws.
5. Insert tab of terminal block cover into slot of dryer rear panel. Secure cover with hold-down screw.
6. Connect a separate copper ground wire from the external ground conductor screw to an adequate ground.

Venting Requirements

WARNING



Fire Hazard

Use a heavy metal vent.

Do not use a plastic vent.

Do not use a metal foil vent.

Failure to follow these instructions can result in death or fire.

WARNING: To reduce the risk of fire, this dryer MUST BE EXHAUSTED OUTDOORS.

IMPORTANT: Observe all governing codes and ordinances. The dryer exhaust must not be connected into any gas vent, chimney, wall, ceiling or a concealed space of a building.

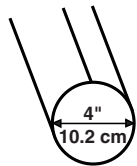
If using an existing vent system

- Clean lint from the entire length of the system and make sure exhaust hood is not plugged with lint.
- Replace any plastic or metal foil vent with rigid or flexible heavy metal vent.
- Review Vent system chart. Modify existing vent system if necessary to achieve the best drying performance.

If this is a new vent system

Vent material

- Use a heavy metal vent. Do not use plastic or metal foil vent.
- 4" (10.2 cm) heavy metal exhaust vent and clamps must be used. DURASAFE™ venting products are recommended.



4" (10.2 cm) heavy metal exhaust vent

DURASAFE™ vent products can be purchased from your dealer or by calling the toll-free number listed on the cover of the Dryer User Instructions. For more information, see the "Assistance or Service" section of the Dryer User Instructions.

Rigid metal vent

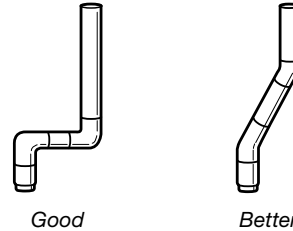
- For best drying performance, rigid metal vents are recommended.
- Rigid metal vent is recommended to avoid crushing and kinking.

Flexible metal vent

- Flexible metal vents are acceptable only if accessible for cleaning.
- Flexible metal vent must be fully extended and supported when the dryer is in its final location.
- Remove excess flexible metal vent to avoid sagging and kinking that may result in reduced airflow and poor performance.
- Do not install flexible metal vent in enclosed walls, ceilings or floors.

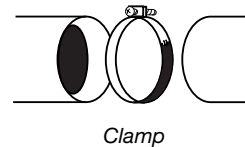
Elbows

45° elbows provide better airflow than 90° elbows.



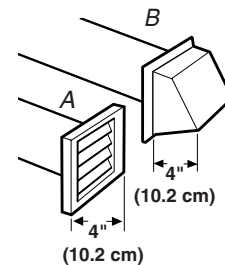
Clamps

- Use clamps to seal all joints.
- Exhaust vent must not be connected or secured with screws or other fastening devices that extend into the interior of the duct. Do not use duct tape.



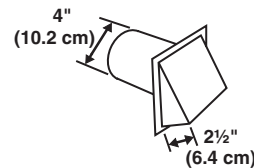
Exhaust

Recommended hood styles are shown here.



A. Louvered hood style
B. Box hood style

The angled hood style (shown here) is acceptable.



- An exhaust hood should cap the vent to keep rodents and insects from entering the home.
- Exhaust hood must be at least 12" (30.5 cm) from the ground or any object that may be in the path of the exhaust (such as flowers, rocks or bushes, snow line, etc.).
- Do not use an exhaust hood with a magnetic latch.

Improper venting can cause moisture and lint to collect indoors, which may result in:

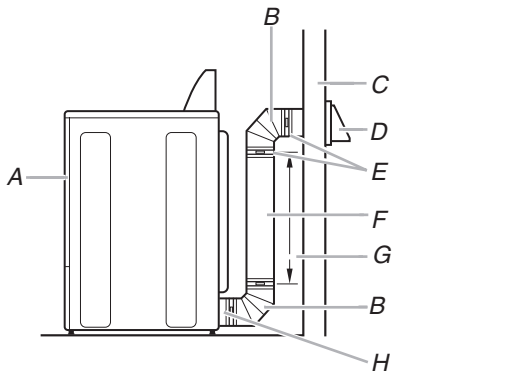
- Moisture damage to woodwork, furniture, paint, wallpaper, carpets, etc.
- Housecleaning problems and health problems.

Plan Vent System

Choose your exhaust installation type

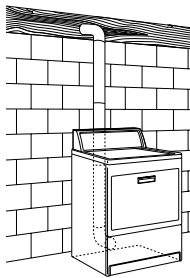
Recommended exhaust installations

Typical installations vent the dryer from the rear of the dryer. Other installations are possible.



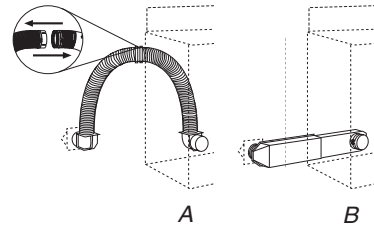
- | | |
|-----------------|--|
| A. Dryer | E. Clamps |
| B. Elbow | F. Rigid metal or flexible metal vent |
| C. Wall | G. Vent length necessary to connect elbows |
| D. Exhaust hood | H. Exhaust outlet |

Standard exhaust installation with rigid metal or flexible metal vent



Alternate installations for close clearances

Venting systems come in many varieties. Select the type best for your installation. Two close-clearance installations are shown. Refer to the manufacturer's instructions.



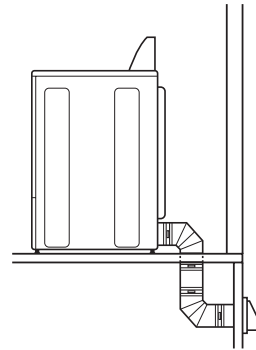
A. Over-the-top installation (also available with one offset elbow)
B. Periscope installation

NOTE: The following kits for close clearance alternate installations are available for purchase. Please see the "Assistance or Service" section of the Dryer User Instructions.

- Over-the-Top Installation:
Part Number 4396028
- Periscope Installation (For use with dryer vent to wall vent mismatch):
Part Number 4396037 - 0" (0 cm) to 18" (45.72 cm) mismatch
Part Number 4396011 - 18" (45.72 cm) to 29" (73.66 cm) mismatch
Part Number 4396014 - 29" (73.66 cm) to 50" (127 cm) mismatch

Special provisions for mobile home installations

The exhaust vent must be securely fastened to a noncombustible portion of the mobile home structure and must not terminate beneath the mobile home. Terminate the exhaust vent outside.



Determine vent path

- Select the route that will provide the straightest and most direct path outdoors.
- Plan the installation to use the fewest number of elbows and turns.
- When using elbows or making turns, allow as much room as possible.
- Bend vent gradually to avoid kinking.
- Use the fewest 90° turns possible.

Determine vent length and elbows needed for best drying performance

- Use the Vent system chart below to determine type of vent material and hood combinations acceptable to use.

NOTE: Do not use vent runs longer than those specified in the Vent system chart. Exhaust systems longer than those specified will:

- Shorten the life of the dryer.
- Reduce performance, resulting in longer drying times and increased energy usage.

The Vent system chart provides venting requirements that will help to achieve the best drying performance.

Vent system chart

NOTE: Side and bottom exhaust installations have a 90° turn inside the dryer. To determine maximum exhaust length, add one 90° turn to the chart.

Number of 90° turns or elbows	Type of vent	Box or louvered hoods	Angled hoods
0	Rigid metal Flexible metal	64 ft (20 m) 36 ft (11 m)	58 ft (17.7 m) 28 ft (8.5 m)
1	Rigid metal Flexible metal	54 ft (16.5 m) 31 ft (9.4 m)	48 ft (14.6 m) 23 ft (7 m)
2	Rigid metal Flexible metal	44 ft (13.4 m) 27 ft (8.2 m)	38 ft (11.6 m) 19 ft (5.8 m)
3	Rigid metal Flexible metal	35 ft (10.7 m) 25 ft (7.6 m)	29 ft (8.8 m) 17 ft (5.2 m)
4	Rigid metal Flexible metal	27 ft (8.2 m) 23 ft (7 m)	21 ft (6.4 m) 15 ft (4.6 m)

Install Vent System

- Install exhaust hood. Use caulking compound to seal exterior wall opening around exhaust hood.
- Connect vent to exhaust hood. Vent must fit inside exhaust hood. Secure vent to exhaust hood with 4" (10.2 cm) clamp.
- Run vent to dryer location. Use the straightest path possible. See "Determine vent path" in "Plan Vent System." Avoid 90° turns. Use clamps to seal all joints. Do not use duct tape, screws or other fastening devices that extend into the interior of the vent to secure vent.

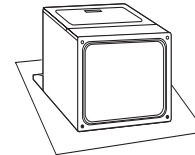
Install Leveling Legs

⚠ WARNING

Excessive Weight Hazard

Use two or more people to move and install dryer.
Failure to do so can result in back or other injury.

- To protect the floor, use a large, flat piece of cardboard from the dryer carton. Place cardboard under the entire back side of the dryer.
- Firmly grasp the body of the dryer (not the top or console panel). Gently lay the dryer on the cardboard. See illustration.



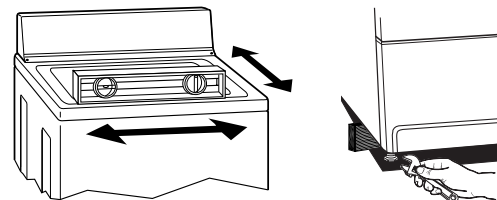
- Examine the leveling legs. Find the diamond marking.



- Screw the legs into the leg holes by hand. Use a wrench to finish turning the legs until the diamond marking is no longer visible.
- Place a carton corner post from dryer packaging under each of the 2 dryer back corners. Stand the dryer up. Slide the dryer on the corner posts until it is close to its final location. Leave enough room to connect the exhaust vent.

Level Dryer

Check the levelness of the dryer. Check levelness first side to side, then front to back.



If the dryer is not level, prop up the dryer using a wood block. Use a wrench to adjust the legs up or down and check again for levelness.

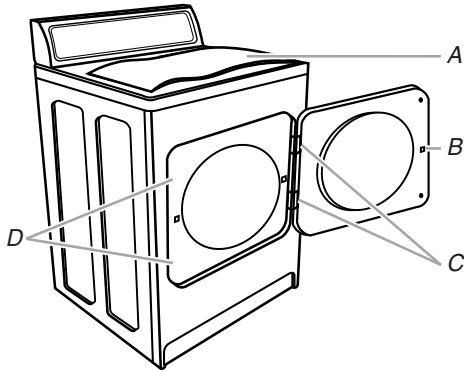
Connect Vent

- Using a 4" (10.2 cm) clamp, connect vent to exhaust outlet in dryer. If connecting to existing vent, make sure the vent is clean. The dryer vent must fit over the dryer exhaust outlet and inside the exhaust hood. Check that the vent is secured to exhaust hood with a 4" (10.2 cm) clamp.
- Move dryer into its final location. Do not crush or kink vent.
- (On gas models) Check that there are no kinks in the flexible gas line.
- Once the exhaust vent connection is made, remove the corner posts and cardboard.

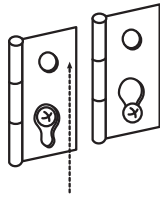
Reverse Door Swing (Optional)

You can change your door swing from a right-side opening to a left-side opening, if desired.

Reversible Large Side-Swing Door

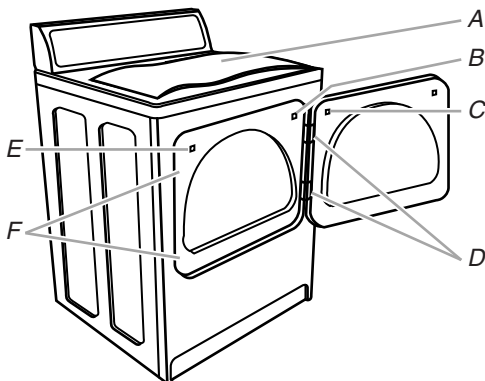


1. Place towel (A) on top of dryer to protect surface.
2. Open dryer door. Remove bottom screws from cabinet side of hinges (C). Loosen (do not remove) top screws from cabinet side of hinges.
3. Lift door until top screws in cabinet are in large part of hinge slot. Pull door forward off screws. Set door (handle side up) on top of dryer. Remove top screws from cabinet.
4. Use a small, flat-blade screwdriver to gently remove 4 hinge hole plugs (D) on left side of cabinet. Insert plugs into hinge holes on right-hand side of cabinet.
5. Insert screws into bottom holes on left side of cabinet. Tighten screws halfway. Position door so large end of door hinge slot is over screws. Slide door up so screws are in bottom of slots. Tighten screws. Insert and tighten top screws in hinges.



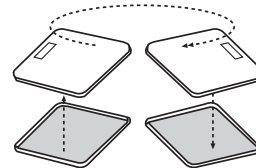
6. Close door and check that door strike aligns with door catch (B). If needed, slide door catch left or right within slot to adjust alignment.

Reversible Super Wide Side-Swing Door

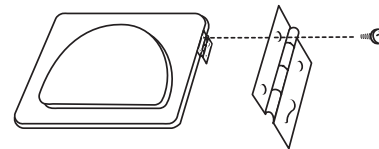


1. Place towel (A) on top of dryer to protect surface.
2. Open dryer door. Remove bottom screws from cabinet side of hinges (D). Loosen (do not remove) top screws from cabinet side of hinges.

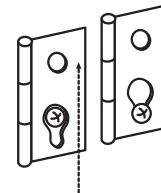
3. Lift door until top screws in cabinet are in large part of hinge slot. Pull door forward off screws. Set door (handle side up) on top of dryer. Remove top screws from cabinet.
4. Remove screws attaching hinges to door.
5. Remove screws at top, bottom and side of door (4 screws). Holding door over towel on dryer, grasp sides of outer door and gently lift to separate it from inner door. Do not pry apart with putty knife. Do not pull on door seal or plastic door catches.
6. Be certain to keep cardboard spacer centered between doors. Reattach outer door panel to inner door panel so handle is on the side where hinges were just removed.



7. Attach door hinges to dryer door so that the larger hole is at the bottom of the hinge.



8. Remove door strike (E) from cabinet. Use a small, flat-blade screwdriver to gently remove 4 hinge hole plugs (F) on left side of cabinet. Insert plugs into hinge holes on right side of cabinet.
9. Insert screws into bottom holes on left side of cabinet. Tighten screws halfway. Position door so large end of door hinge slot is over screws. Slide door up so screws are in bottom of slots. Tighten screws. Insert and tighten top screws in hinges.



10. Remove door strike plug (B). Insert the door strike you removed in Step 8 into hole and secure with screw. Insert door strike plug into original door strike hole and secure with screw.
11. Close door and check that door strike aligns with door catch (C). If it is needed, slide door catch left or right within slot to adjust alignment.

Complete Installation

1. Check that all parts are now installed. If there is an extra part, go back through the steps to see which step was skipped.
 2. Check that you have all of your tools.
 3. Dispose of/recycle all packaging materials.
 4. Check the dryer's final location. Be sure the vent is not crushed or kinked.
 5. Check that the dryer is level. See "Level Dryer."
 6. **In the U.S.A.**
 - For power supply cord installation, plug into an outlet. For direct wire installation, turn on power.**In Canada**
 - Plug into a grounded 4 prong outlet. Turn on power.
 7. Remove the blue protective film on the console and any tape remaining on the dryer.
 8. Read "Dryer Use" in the Dryer User Instructions.
 9. Wipe the dryer drum interior thoroughly with a damp cloth to remove any dust.
 10. Set the dryer on a full heat cycle (not an air cycle) for 20 minutes and start the dryer.
If the dryer will not start, check the following:
 - Controls are set in a running or "On" position.
 - Start button has been pushed firmly.
 - Dryer is plugged into an outlet and/or electrical supply is on.
 - Household fuse is intact and tight, or circuit breaker has not tripped.
 - Dryer door is closed.
 11. When the dryer has been running for 5 minutes, open the dryer door and feel for heat. If you feel heat, cancel cycle and close the door.
If you do not feel heat, turn off the dryer and check the following:
 - There may be 2 household fuses or circuit breakers for the dryer. Check that both fuses are intact and tight, or that both circuit breakers have not tripped. If there is still no heat, contact a qualified technician.
- NOTE:** You may notice a burning odor when the dryer is first heated. This odor is common when the heating element is first used. The odor will go away.

INSTRUCTIONS POUR L'INSTALLATION DE LA SÈCHEUSE ÉLECTRIQUE DE 29" (73,7 CM)

SÉCURITÉ DE LA SÈCHEUSE

Votre sécurité et celle des autres est très importante.

Nous donnons de nombreux messages de sécurité importants dans ce manuel et sur votre appareil ménager. Assurez-vous de toujours lire tous les messages de sécurité et de vous y conformer.



Voici le symbole d'alerte de sécurité.

Ce symbole d'alerte de sécurité vous signale les dangers potentiels de décès et de blessures graves à vous et à d'autres.

Tous les messages de sécurité suivront le symbole d'alerte de sécurité et le mot "DANGER" ou "AVERTISSEMENT". Ces mots signifient :

⚠ DANGER

Risque possible de décès ou de blessure grave si vous ne suivez pas immédiatement les instructions.

⚠ AVERTISSEMENT

Risque possible de décès ou de blessure grave si vous ne suivez pas les instructions.

Tous les messages de sécurité vous diront quel est le danger potentiel et vous disent comment réduire le risque de blessure et ce qui peut se produire en cas de non-respect des instructions.

INSTRUCTIONS D'INSTALLATION

Outillage et pièces

Rassembler les outils et pièces nécessaires avant de commencer l'installation. Lire et suivre les instructions fournies avec les outils indiqués ici.

- Tournevis à lame plate
- Tournevis Phillips n° 2
- Clé à molette avec ouverture jusqu'à 1" (2,5 cm) ou clé à douille hexagonale (pour ajuster les pieds de la sècheuse)
- Cisaille de ferblantier (pour l'installation d'un nouveau conduit d'évacuation)
- Niveau
- Clapets d'évacuation
- Pistolet à calfeutrage et composé de calfeutrage (pour l'installation d'un nouveau conduit d'évacuation)
- Mètre ruban

Pièces fournies :

Retirer le sachet de pièces du tambour de la sècheuse. Vérifier que toutes les pièces de la liste sont présentes.



4 pieds de nivellement

Pièces nécessaires :

Consulter les codes locaux, vérifier l'alimentation électrique et le circuit d'évacuation existants, et consulter les sections "Spécifications électriques" et "Exigences concernant l'évacuation" avant d'acheter les pièces nécessaires.

Les installations pour maison mobile nécessitent un système d'évacuation en métal qui peut être acheté chez le marchand chez qui vous avez acheté votre sècheuse. Pour plus d'information, veuillez consulter la section "Assistance ou service" des "Instructions d'utilisation de la sècheuse".

Exigences d'emplacement

AVERTISSEMENT



Risque d'explosion

Garder les matières et les vapeurs inflammables, telle que l'essence, loin de la sècheuse.

Placer la sècheuse au moins 46 cm (18 po) au-dessus du plancher pour une installation dans un garage.

Le non-respect de ces instructions peut causer un décès, une explosion ou un incendie.

On a besoin de

- Un emplacement avec un conduit d'évacuation à proximité. Voir "Exigences concernant l'évacuation".
- Un circuit séparé de 30 ampères.
- Une prise électrique avec liaison à la terre située à moins de 2 pi (61 cm) de l'un des côtés de la sècheuse. Voir "Spécifications électriques".
- Un plancher robuste capable de supporter un poids total (sècheuse et charge) de 200 lb (90,7 kg). Le poids combiné d'un appareil voisin doit également être pris en compte.
- Un plancher horizontal avec une pente maximale de 1" (2,5 cm) sous l'ensemble de la sècheuse. (Si la pente est supérieure à 1" [2,5 cm], installer l'ensemble de pieds longs n° de pièce 279810.) Si la sècheuse n'est pas d'aplomb, le linge peut ne pas culbutter convenablement et les programmes commandés par des détecteurs automatiques peuvent ne pas fonctionner correctement.

Ne pas faire fonctionner la sècheuse à une température inférieure à 45°F (7°C). À des températures inférieures, la sècheuse risque de ne plus s'arrêter à la fin d'un programme automatique. Les temps de séchage risquent alors d'augmenter.

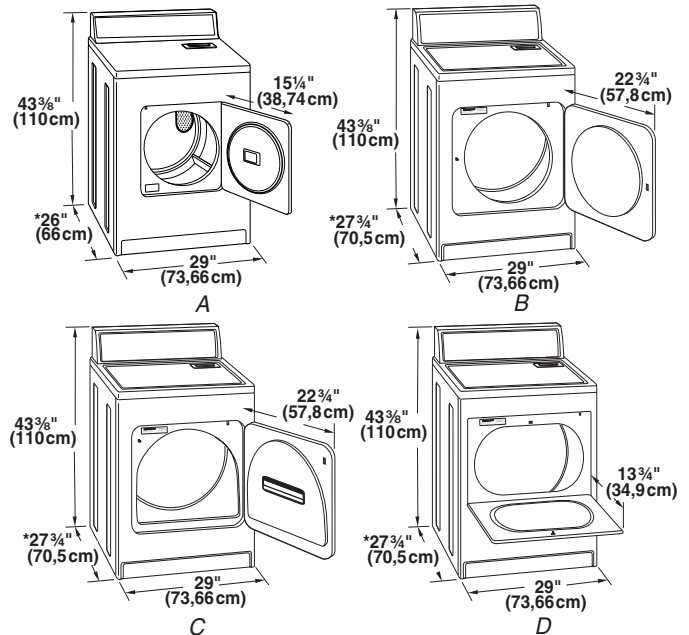
La sècheuse ne doit pas être installée ou remise dans un endroit où elle sera exposée à l'eau et/ou aux intempéries.

Vérifier les règlements locaux. Certains codes limitent ou n'autorisent pas l'installation des sècheuses dans un garage, un placard, une maison mobile ou une chambre à coucher. Communiquer avec l'inspecteur des bâtiments local.

Dégagements de séparation à respecter

L'emplacement doit être assez grand pour permettre d'ouvrir complètement la porte de la sècheuse.

Dimensions de la sècheuse



A. Porte à pivotement latéral à petite ouverture

B. Porte à pivotement latéral à grande ouverture

C. Porte à pivotement latéral à large ouverture

D. Porte rabattable à large ouverture

*La plupart des installations requièrent un espace minimum de 5" (12,7 cm) derrière la sècheuse pour le conduit d'évacuation avec coude. Voir "Exigences concernant l'évacuation".

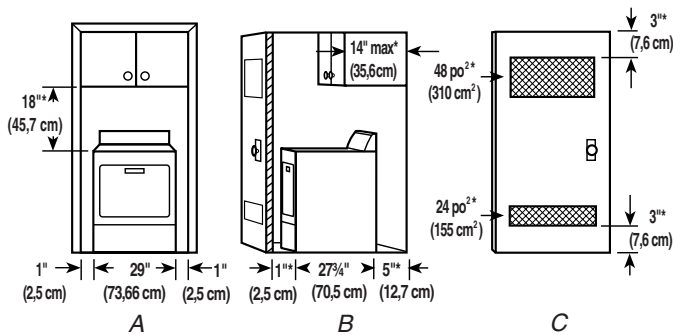
Espacement minimum pour une installation dans un placard ou dans un placard

On recommande les dimensions d'espacement suivantes pour cette sècheuse. Cette sècheuse a été testée pour une installation avec dégagement de 0" (0 cm) sur les côtés et à l'arrière.

L'espacement recommandé doit être considéré pour les raisons suivantes :

- On prévoira un peu plus d'espace pour faciliter l'installation et l'entretien.
- Un espace supplémentaire peut être requis pour les moulures de porte et de plancher et pour les plinthes.
- Un espace supplémentaire de tous les côtés de la sècheuse est recommandé pour réduire le transfert du bruit.
- Si une porte de placard est installée (pour une installation encastrée), on doit prévoir des orifices d'entrée d'air en haut et en bas de la porte. Les portes à claire-voie offrant une surface équivalente de passage de l'air sont acceptables.

- Il faut aussi prendre en compte l'espace requis entre les appareils voisins.
- Un espacement supplémentaire est requis si l'air est évacué à l'arrière de la sècheuse sur le côté gauche ou droit.



A. Encastrement
 B. Vue latérale - placard ou endroit exigu
 C. Porte du placard avec orifices d'entrée d'air

*Espacement requis

Exigences additionnelles concernant l'installation dans une maison mobile

Cette sècheuse peut être installée dans une maison mobile. L'installation doit satisfaire les critères de la Norme de construction et de sécurité des habitations préfabriquées Titre 24 CFR, partie 3280 (anciennement Norme fédérale de construction et de sécurité des habitations préfabriquées, Titre 24 HUD, partie 280) ou de la Norme canadienne des habitations préfabriquées, CAN/CSA-Z240MH.

L'installation dans une maison mobile exige :

- Un système d'évacuation en métal qui peut être acheté chez votre marchand.
- Il faut prendre des dispositions spéciales pour l'apport d'air de l'extérieur dans la sècheuse lors d'une installation dans une maison mobile. La surface de toute ouverture pour l'apport d'air extérieur (telle qu'une fenêtre à proximité) devrait être au moins deux fois plus grande que l'ouverture de décharge de la sècheuse.

Spécifications électriques- Canada

⚠ AVERTISSEMENT



Risque de choc électrique

Brancher sur une prise à 4 alvéoles reliée à la terre.

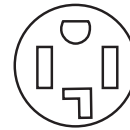
Le non-respect de cette instruction peut causer un décès ou un choc électrique.

C'est à l'utilisateur qu'incombe la responsabilité de

- Communiquer avec un électricien qualifié.
- S'assurer que les connexions électriques sont adéquates et conformes au Code canadien d'électricité, C22.1 - dernière édition et à tous les codes locaux. Pour obtenir un exemplaire de la norme des codes ci-dessus, contacter : Association canadienne de normalisation, 178 Rexdale Blvd., Toronto, ON M9W 1R3 CANADA.

- Alimenter l'appareil uniquement par un circuit monophasé de 115/230 volts CA, 60 Hz à 4 fils, sur un circuit séparé de 30 ampères, fusionné aux deux extrémités de la ligne. On recommande l'emploi d'un fusible temporisé ou disjoncteur. On recommande également que cet appareil soit alimenté par un circuit indépendant.

- Cette sècheuse est équipée d'un cordon électrique homologué par la CSA International à introduire dans une prise murale standard 14-30R. Le cordon mesure 5 pi (1,52 m). Veiller à ce que la prise murale se trouve à proximité de l'emplacement définitif de la sècheuse.



Prise murale à 4 fils 14-30R

- Ne pas utiliser de cordon de rallonge.

Si on utilise un cordon d'alimentation de rechange, il est recommandé d'utiliser le cordon d'alimentation de rechange numéro de pièce 3394208. Pour plus d'information, veuillez consulter les numéros de service qui se trouvent dans les Instructions d'utilisation de la sècheuse.

INSTRUCTIONS DE LIAISON À LA TERRE

- Pour une sècheuse reliée à la terre et connectée par un cordon :

Cette sècheuse doit être reliée à la terre. En cas de mauvais fonctionnement ou de panne, la liaison à la terre réduira le risque de choc électrique en offrant au courant électrique un acheminement d'évacuation de moindre résistance. Cette sècheuse est alimentée par un cordon électrique comportant un conducteur relié à la terre et une fiche de branchement munie d'une broche de liaison à la terre. La fiche doit être branchée sur une prise appropriée qui est bien installée et reliée à la terre conformément à tous les codes et règlements locaux.

AVERTISSEMENT : Le raccordement incorrect de cet appareil au conducteur de liaison à la terre peut susciter un risque de choc électrique. En cas de doute quant à la qualité de liaison à la terre de la sècheuse, consulter un électricien ou un technicien ou un personnel qualifié. Ne pas modifier la fiche de branchement fournie avec la sècheuse; si la fiche ne correspond pas à la configuration de la prise de courant, demander à un électricien qualifié d'installer une prise de courant appropriée.

CONSERVEZ CES INSTRUCTIONS

Exigences concernant l'évacuation

AVERTISSEMENT



Risque d'incendie

Utiliser un conduit d'évacuation en métal lourd.

Ne pas utiliser un conduit d'évacuation en plastique.

Ne pas utiliser un conduit d'évacuation en feuille de métal.

Le non-respect de ces instructions peut causer un décès ou un incendie.

AVERTISSEMENT : Pour réduire le risque d'incendie, cette sècheuse doit ÉVACUER L'AIR À L'EXTÉRIEUR.

IMPORTANT : Observer les dispositions de tous les codes et règlements en vigueur.

Le conduit d'évacuation de la sècheuse ne doit pas être connecté à une évacuation de gaz, une cheminée, un mur, un plafond ou un vide de construction.

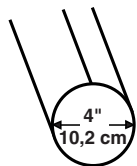
En cas d'utilisation du système d'évacuation existant

- Éliminer la charpie sur toute la longueur du système et veiller à ce que le clapet de décharge ne soit pas obstrué par une accumulation de charpie.
- Remplacer tout conduit de plastique ou de feuille métallique par un conduit de métal lourd rigide ou flexible.
- Examiner le tableau de longueur du conduit d'évacuation. Apporter les modifications nécessaires au système d'évacuation pour atteindre le meilleur rendement de séchage.

En cas de nouveau système d'évacuation

Matériel pour l'évacuation

- Utiliser un conduit d'évacuation en métal lourd. Ne pas utiliser un conduit de plastique ou en feuille métallique.
- Utiliser un conduit d'évacuation en métal lourd de 4" (10,2 cm) et des brides de serrage. Les produits d'évacuation DURASAFE™ sont recommandés.



Conduit d'évacuation en métal lourd de 4" (10,2 cm)

Les produits d'évacuation DURASAFE™ peuvent être achetés chez votre marchand ou en composant le numéro de téléphone sans frais indiqué sur la page de couverture des Instructions pour l'utilisateur de la sècheuse. Pour plus de renseignements, voir la section "Assistance ou service" des "Instructions d'utilisation de la sècheuse".

Conduit métallique rigide

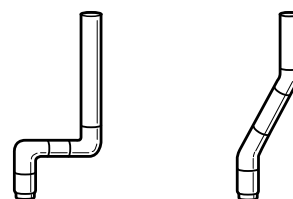
- Pour un meilleur rendement de séchage, on recommande d'utiliser des conduits métalliques rigides.
- On recommande d'utiliser un conduit métallique rigide pour réduire les risques d'écrasement et de déformation.

Conduit métallique flexible

- Les conduits métalliques flexibles sont acceptables seulement dans la mesure où ils sont accessibles en vue du nettoyage.
- Un conduit métallique flexible doit être totalement déployé et soutenu lorsque la sècheuse est à sa position finale.
- Enlever tout excès de conduit flexible pour éviter tout affaissement ou déformation susceptible de réduire la capacité d'évacuation et le rendement.
- Ne pas installer le conduit métallique flexible dans les cavités fermées des murs, plafonds ou planchers.

Coudes

Les coudes à 45° permettent une meilleure circulation de l'air que les coudes à 90°.

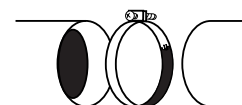


Bon

Meilleur

Brides de serrage

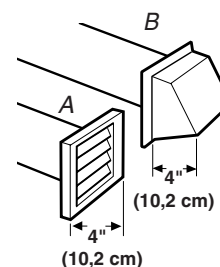
- Utiliser des brides pour sceller tous les joints.
- Le conduit d'évacuation ne doit pas être connecté ou fixé avec des vis ou avec tout autre dispositif de serrage qui se prolonge à l'intérieur du conduit. Ne pas utiliser de ruban adhésif pour conduit.



Bride de serrage

Évacuation

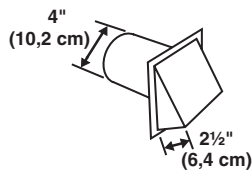
Les styles de clapets recommandés sont illustrés ci-dessous.



A. Clapet à persiennes

B. Clapet de type boîte

Le clapet incliné de type boîte ci-dessous est acceptable.



- Terminer le conduit d'évacuation par un clapet de décharge pour empêcher les rongeurs et insectes d'entrer dans l'habitation.
- Le clapet de décharge doit être situé à au moins 12" (30,5 cm) au-dessus du sol ou de tout autre objet susceptible de se trouver sur le trajet de l'air humide rejeté (par exemple, fleurs, roches ou arbustes, limite de la neige, etc.)
- Ne pas utiliser un clapet d'évacuation à fermeture magnétique.

Une mauvaise évacuation de l'air peut causer de l'humidité et une accumulation de charpie à l'intérieur de la maison, ce qui peut provoquer :

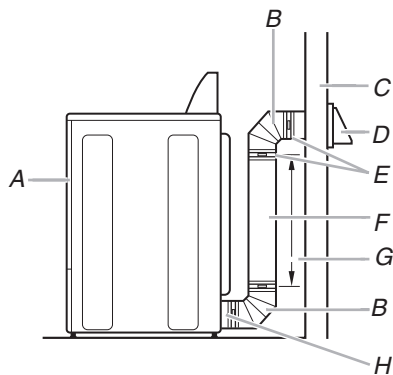
- Dommages par l'humidité aux boiseries, meubles, peinture, papier-peint, tapis, etc.
- Problèmes de nettoyage dans la maison et problèmes de santé.

Planification du système d'évacuation

Choisir un type de système d'évacuation

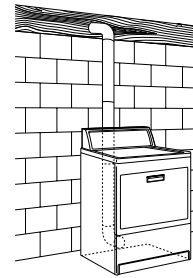
Installations d'évacuation recommandées

Les installations typiques consistent à acheminer le conduit d'évacuation à l'arrière de la sécheuse. D'autres installations sont possibles.



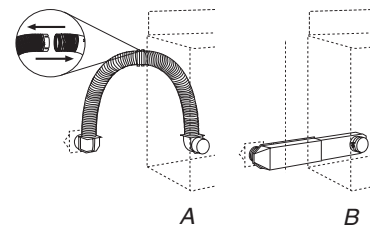
- A. Sécheuse
- B. Coude
- C. Mur
- D. Clapet de décharge
- E. Brides
- F. Conduit métallique rigide ou flexible
- G. Longueur de conduit nécessaire pour raccorder les coudes
- H. Bouche de décharge

Installations standard du conduit d'évacuation à l'aide d'un conduit métallique rigide ou flexible.



Autres installations où le dégagement est réduit

Il existe de nombreux types de systèmes d'évacuation. Choisir le type qui convient le mieux à l'installation. Deux installations à dégagement réduit sont illustrées. Voir les instructions du fabricant.



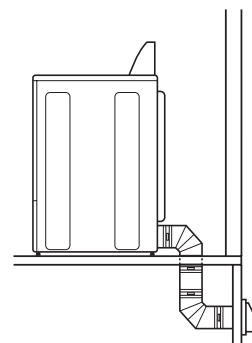
- A. Installation au-dessus de la sécheuse (aussi disponible avec un coude décalé)
- B. Installation de périscope

REMARQUE : On peut acheter les trousse suivantes pour les installations où le dégagement est réduit. Veuillez consulter la section "Assistance ou service" dans les Instructions pour l'utilisateur de la sécheuse.

- Installation au-dessus de la sécheuse :
Pièce numéro 4396028
- Installation de périscope (pour l'utilisation en cas de non-concordance de la bouche de décharge de la sécheuse avec le clapet) :
Pièce numéro 4396037 - 0" (0 cm) à 18" (45,72 cm) de décalage
Pièce numéro 4396011 - 18" (45,72 cm) à 29" (73,66 cm) de décalage
Pièce numéro 4396014 - 29" (73,66 cm) à 50" (127 cm) de décalage

Dispositions spéciales pour les installations dans une maison mobile

Le système d'évacuation doit être solidement fixé à une section non combustible de la structure de la maison mobile et ne doit pas se terminer en-dessous de la maison mobile. Faire en sorte que le système d'évacuation se termine à l'extérieur.



Déterminer l'itinéraire d'acheminement du conduit

- Choisir l'itinéraire d'acheminement vers l'extérieur qui sera le plus direct et le plus rectiligne.
- Planifier l'installation pour introduire le nombre minimal de coudes et de changements de direction.
- Si des coudes ou des changements de direction sont utilisés, prévoir autant d'espace que possible.
- Plier le conduit graduellement pour éviter de le déformer.
- Utiliser le moins possible de changements de direction à 90°.

Déterminer la longueur du conduit et les coudes nécessaires pour la meilleure performance de séchage

- Utiliser le tableau des systèmes d'évacuation ci-dessous pour déterminer le type de matériel à utiliser pour le conduit et les combinaisons de clapet acceptables.

REMARQUE : Ne pas utiliser un conduit de longueur supérieure à la valeur spécifiée dans le tableau des systèmes d'évacuation. Si la longueur du circuit est supérieure à la valeur spécifiée dans le tableau, on observera :

- Une réduction de la longévité de la sècheuse.
- Une réduction du rendement, avec temps de séchage plus longs et une plus grande consommation d'énergie.

Le tableau des systèmes d'évacuation fournit les exigences d'évacuation qui vous aideront à atteindre la meilleure performance de séchage.

Tableau des systèmes d'évacuation

REMARQUE : Les installations d'évacuation du conduit par le côté ou par le bas comportent un changement de direction à 90° à l'intérieur de la sècheuse. Pour établir la longueur maximale du conduit, ajouter un changement de direction à 90° au tableau.

Nombre de changements de direction à 90° ou coudes	Type de conduit	Clapets de type boîte ou à persiennes	Clapets inclinés
0	Métallique rigide	64 pi (20 m)	58 pi (17,7 m)
	Métallique flexible	36 pi (11 m)	28 pi (8,5 m)
1	Métallique rigide	54 pi (16,5 m)	48 pi (14,6 m)
	Métallique flexible	31 pi (9,4 m)	23 pi (7 m)
2	Métallique rigide	44 pi (13,4 m)	38 pi (11,6 m)
	Métallique flexible	27 pi (8,2 m)	19 pi (5,8 m)
3	Métallique rigide	35 pi (10,7 m)	29 pi (8,8 m)
	Métallique flexible	25 pi (7,6 m)	17 pi (5,2 m)
4	Métallique rigide	27 pi (8,2 m)	21 pi (6,4 m)
	Métallique flexible	23 pi (7 m)	15 pi (4,6 m)

Installation du système d'évacuation

1. Installer le clapet d'évacuation. Utiliser du composé de calfeutrage pour sceller l'ouverture murale à l'extérieur autour du clapet d'évacuation.
2. Raccorder le conduit d'évacuation au clapet. Le conduit doit être inséré à l'intérieur du clapet. Fixer ensemble le conduit et le clapet avec une bride de serrage de 4" (10,2 cm).
3. Acheminer le conduit d'évacuation jusqu'à l'emplacement de la sècheuse. Utiliser l'itinéraire le plus rectiligne possible. Voir "Déterminer l'itinéraire d'acheminement du conduit" dans "Planification du système d'évacuation". Éviter les changements de direction à 90°. Utiliser des brides de serrage pour sceller tous les joints. Ne pas utiliser de ruban adhésif pour conduit, des vis ou autres dispositifs de fixation qui se prolongent à l'intérieur du conduit pour fixer celui-ci.

Installation des pieds de nivellement

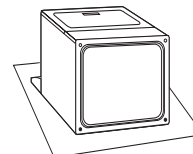
⚠ AVERTISSEMENT

Risque du poids excessif

Utiliser deux ou plus de personnes pour déplacer et installer la sècheuse.

Le non-respect de cette instruction peut causer une blessure au dos ou d'autre blessure.

1. Pour protéger le sol, utiliser un grand morceau de l'emballage en carton de la sècheuse. Placer le carton sous le bord arrière de la sècheuse.
2. Saisir fermement la sècheuse par la caisse (ni par le dessus ni par le panneau de commande). Déposer délicatement la sècheuse sur le carton. Voir l'illustration.



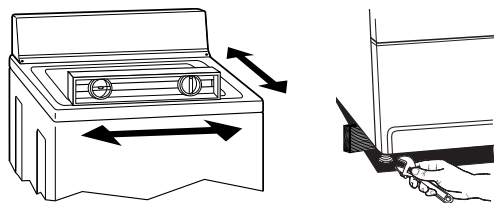
3. Examiner les pieds de nivellement. Trouver le symbole de repérage (losange).



4. Engager manuellement les pieds dans les trous. Utiliser une clé à molette pour visser les pieds jusqu'à ce que le symbole de repérage (losange) ne soit plus visible.
5. Placer une cornière de carton provenant de l'emballage de la sècheuse sous chacun des 2 coins arrière de la sècheuse. Redresser la sècheuse. Faire glisser la sècheuse sur les cornières près de son emplacement définitif. Laisser suffisamment d'espace pour connecter le conduit d'évacuation.

Mise à niveau de la sécheuse

Contrôler l'aplomb de la sécheuse. Contrôler l'aplomb tout d'abord transversalement, puis dans le sens avant/arrière.



Si la sécheuse n'est pas de niveau, la déposer sur un bloc de bois. Utiliser une clé à molette pour ajuster les pieds vers le haut ou vers le bas, et vérifier à nouveau si elle est de niveau.

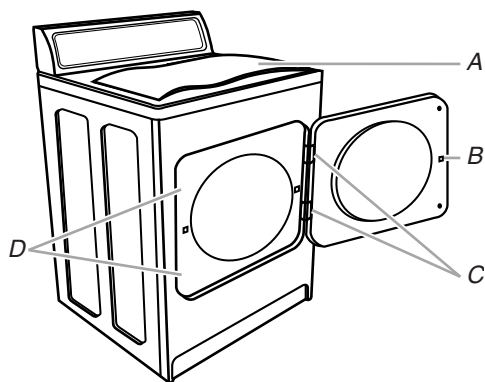
Raccordement du conduit d'évacuation

1. À l'aide d'une bride de serrage de 4" (10,2 cm), relier le conduit d'évacuation à la bouche d'évacuation de la sécheuse. Si on utilise un système d'évacuation existant, s'assurer qu'il est propre. Le conduit d'évacuation de la sécheuse doit être fixé sur la bouche d'évacuation de la sécheuse et dans le clapet d'évacuation. S'assurer que le conduit d'évacuation est fixé au clapet d'évacuation à l'aide d'une bride de serrage de 4" (10,2 cm).
2. Placer la sécheuse à son emplacement final. Ne pas écraser ni déformer le conduit d'évacuation.
3. (Sur les modèles à gaz) Vérifier que le tuyau de gaz flexible n'est pas déformé ou écrasé.
4. Une fois que le conduit d'évacuation est raccordé, retirer les cornières et le carton.

Inversion du sens d'ouverture de la porte (facultatif)

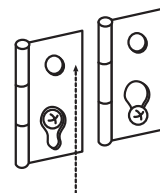
On peut changer l'ouverture de la porte du côté droit au côté gauche si désiré.

Grande porte réversible à pivotement latéral



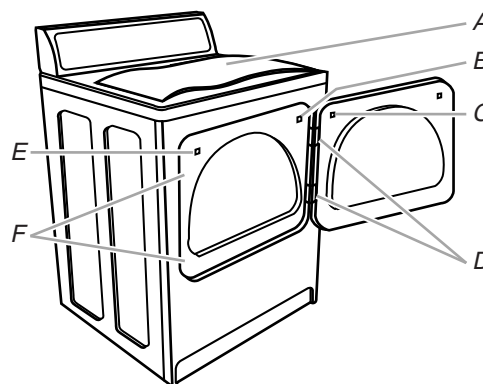
1. Placer une serviette (A) sur la sécheuse pour protéger la surface.
2. Ouvrir la porte de la sécheuse. Ôter les vis inférieures fixant les charnières (C) sur la caisse. Desserrer (sans les ôter) les vis supérieures fixant les charnières sur la caisse.

3. Soulever la porte suffisamment pour que les vis supérieures de la caisse se trouvent dans la partie élargie des trous des charnières. Tirer la porte vers l'avant pour la dégager des vis. Placer la porte sur le dessus de la sécheuse. Ôter les vis supérieures de la caisse.
4. Utiliser un petit tournevis à lame plate pour ôter soigneusement quatre bouchons d'obturation (D) du côté gauche de la caisse. Insérer les bouchons dans les trous de charnières du côté droit de la caisse.
5. Insérer les vis dans les trous inférieurs du côté gauche de la caisse. Serrer les vis à moitié. Placer la porte de telle sorte que la partie élargie du trou de charnière se trouve au-dessus des vis. Glisser la porte vers le haut de sorte que les vis se trouvent au bas des fentes. Serrer les vis. Insérer les vis supérieures dans les charnières et les serrer.



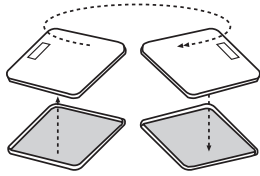
6. Fermer la porte et vérifier que la gâche de la porte est alignée avec le loquet (B) de la porte. Au besoin, déplacer la gâche de la porte vers la gauche ou la droite dans son logement pour ajuster l'alignement.

Porte réversible extra-large à pivotement latéral

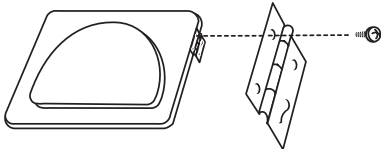


1. Placer une serviette (A) sur la sécheuse pour protéger la surface.
2. Ouvrir la porte de la sécheuse. Ôter les vis inférieures fixant les charnières (D) sur la caisse. Desserrer (sans les ôter) les vis supérieures fixant les charnières sur la caisse.
3. Soulever la porte suffisamment pour que les vis supérieures de la caisse se trouvent dans la partie élargie des trous des charnières. Tirer la porte vers l'avant pour la dégager des vis. Placer la porte (poignée vers le haut) sur le dessus de la sécheuse. Ôter les vis supérieures de la caisse.
4. Enlever les vis qui fixent les charnières sur la porte.
5. Enlever les vis au sommet, en bas et sur le côté de la porte (4 vis). En tenant la porte au-dessus de la serviette sur la sécheuse, saisir les côtés de la section externe de la porte et soulever prudemment pour la séparer de la section interne de la porte. Ne pas essayer de séparer les deux sections avec un couteau à mastic. Ne pas tirer sur le joint de la porte ou sur les loquets de plastique de la porte.

6. Veiller à maintenir la plaque de carton d'espacement centrée entre les deux sections de la porte. Réassembler la section externe et la section interne de la porte de telle manière que la poignée soit orientée du côté où les charnières viennent d'être enlevées.

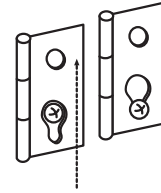


7. Fixer les charnières de porte à la porte de la sécheuse de façon à ce que le trou le plus gros se trouve dans la partie inférieure de la charnière.



8. Enlever la gâche de la porte (E) de la caisse. Utiliser un petit tournevis à lame plate pour ôter soigneusement 4 bouchons d'obturation (F) du côté gauche de la caisse. Insérer les bouchons dans les trous de charnière du côté droit de la caisse.

9. Insérer les vis dans les trous inférieurs du côté gauche de la caisse. Serrer les vis à moitié. Placer la porte de telle sorte que la partie élargie du trou de charnière se trouve au-dessus des vis. Glisser la porte vers le haut de telle sorte que les vis se trouvent au bas des fentes. Serrer les vis. Insérer les vis supérieures dans les charnières et les serrer.



10. Enlever le bouchon d'obturation de la gâche de la porte (B). Insérer dans le trou la gâche qui a été enlevée à l'étape 8; fixer la gâche avec la vis. Insérer le bouchon d'obturation dans le trou d'où la gâche avait été initialement extraite; fixer le bouchon avec la vis.
11. Fermer la porte; vérifier que la gâche de la porte est alignée avec le loquet (C). Au besoin, déplacer la gâche de la porte vers la gauche ou vers la droite dans son logement pour ajuster l'alignement.

Achever l'installation

- Vérifier que toutes les pièces sont installées. S'il reste une pièce, passer en revue les différentes étapes pour découvrir laquelle aurait été oubliée.
- S'assurer d'avoir tout l'outillage nécessaire.
- Jeter ou recycler tout le matériel d'emballage.
- Vérifier l'emplacement définitif de la sécheuse. S'assurer que le conduit d'évacuation n'est pas écrasé ou déformé.
- Vérifier que la sécheuse est de niveau. Voir "Mise à niveau de la sécheuse".
- Brancher sur une prise à 4 alvéoles reliée à la terre. Mettre le courant.
- Retirer la pellicule de protection bleue sur le panneau de commande et le ruban resté sur la sécheuse.
- Lire "Utilisation de la sécheuse" dans les Instructions pour l'utilisateur de la sécheuse.
- Essuyer soigneusement le tambour de la sécheuse avec un chiffon humide pour éliminer toute trace de poussière.

10. Régler la sécheuse sur un programme de séchage complet (pas le programme de séchage sans chaleur) de 20 minutes et mettre la sécheuse en marche.

Si la sécheuse ne démarre pas, vérifier ce qui suit :

- Les commandes sont réglées à la position de marche ou "On".
- Le bouton Start (mise en marche) a été enfoncé fermement.
- La sécheuse est branchée sur une prise reliée à la terre et l'alimentation électrique est connectée.
- Les fusibles du domicile sont intacts et serrés, ou le disjoncteur n'est pas déclenché.
- La porte de la sécheuse est fermée.

11. Après 5 minutes de fonctionnement, ouvrir la porte de la sécheuse et voir s'il y a de la chaleur. En cas de chaleur, annuler le programme et fermer la porte.

Si aucune chaleur n'est perceptible, désactiver la sécheuse et vérifier ce qui suit :

- Il peut y avoir 2 fusibles ou disjoncteurs pour la sécheuse. Vérifier que les 2 fusibles sont intacts et serrés ou que les deux disjoncteurs ne se sont pas déclenchés. S'il n'y a toujours pas de chaleur, contacter un technicien qualifié.

REMARQUE : Il est possible que la sécheuse dégage une odeur de brûlé lors du chauffage initial. Cette odeur est normale lorsque l'élément chauffant est utilisé pour la première fois. L'odeur disparaîtra.

W10150612A
SP PN W10150613A
© 2007. All rights reserved.
Tous droits réservés.

TM DURASAFE is a trademark of Whirlpool, U.S.A., Whirlpool Canada LP Licensee in Canada
TM DURASAFE est une marque de commerce de Whirlpool, U.S.A., Emploi licencié par Whirlpool Canada LP au Canada

8/07
Printed in U.S.A.
Imprimé aux É.-U.

Free Manuals Download Website

<http://myh66.com>

<http://usermanuals.us>

<http://www.somanuals.com>

<http://www.4manuals.cc>

<http://www.manual-lib.com>

<http://www.404manual.com>

<http://www.luxmanual.com>

<http://aubethermostatmanual.com>

Golf course search by state

<http://golfingnear.com>

Email search by domain

<http://emailbydomain.com>

Auto manuals search

<http://auto.somanuals.com>

TV manuals search

<http://tv.somanuals.com>