

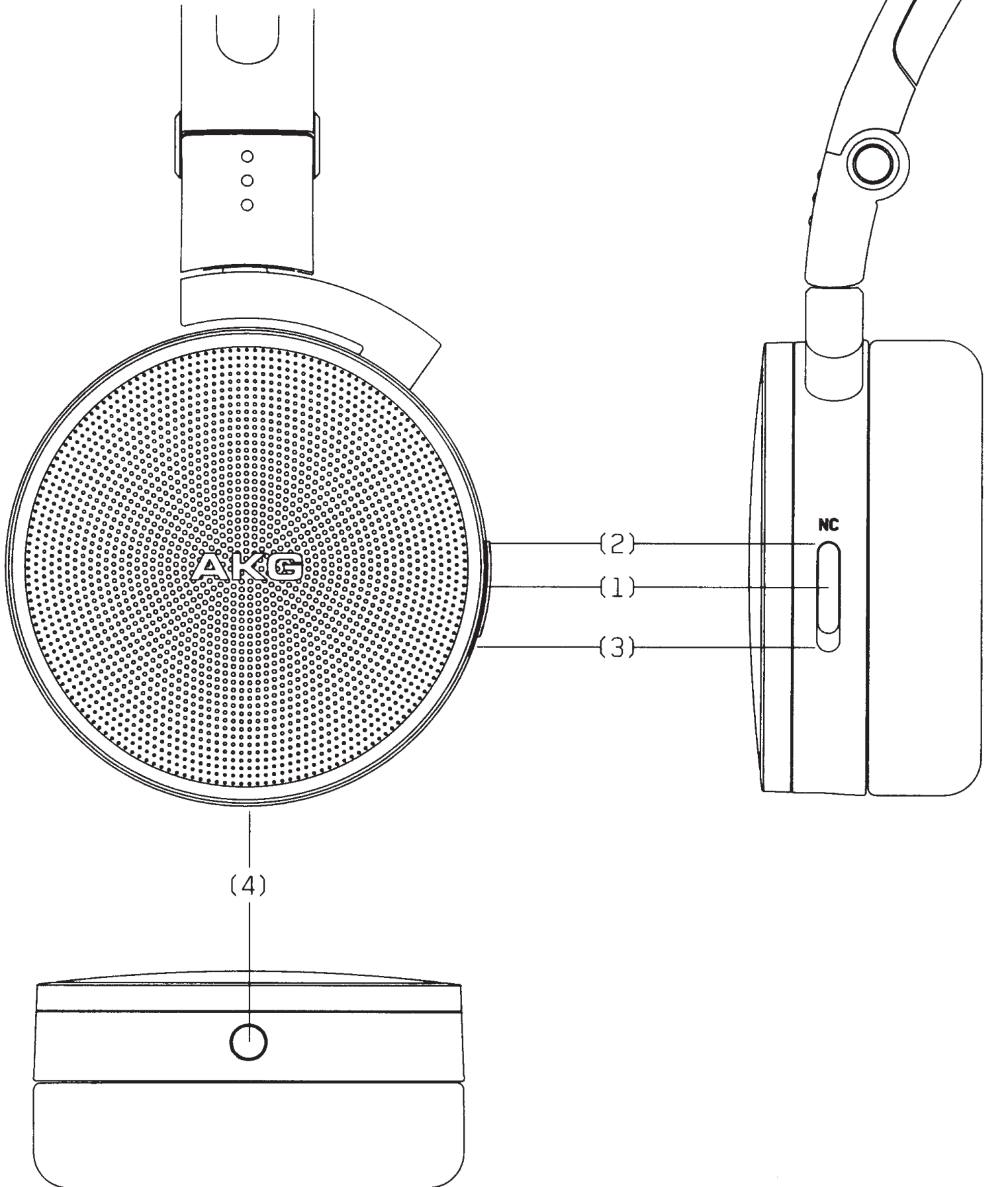
**AKG**<sup>®</sup>  
by **HARMAN**



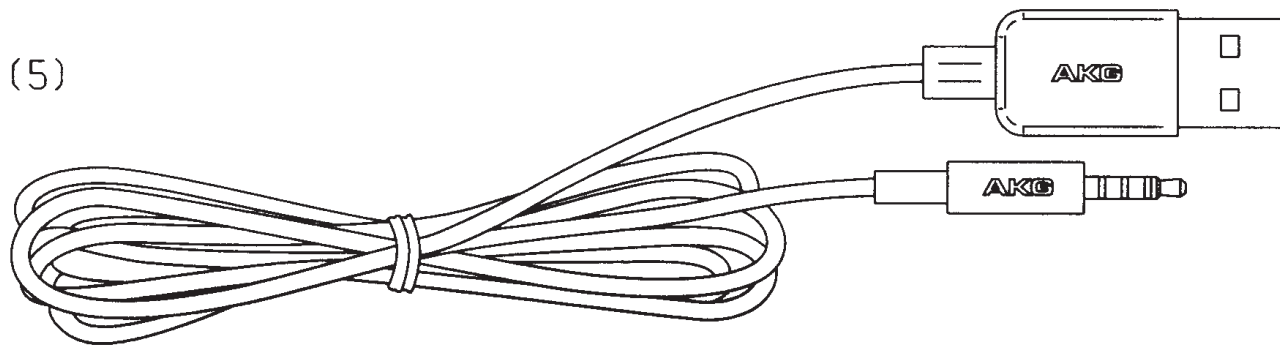
**HIGH-PERFORMANCE ACTIVE  
NOISE CANCELLING HEADPHONES**  
ECOUTEURS HAUTE PERFORMANCE  
AU SYSTEME ANTI-BRUIT ACTIF

**K490 NC OWNERS MANUAL**

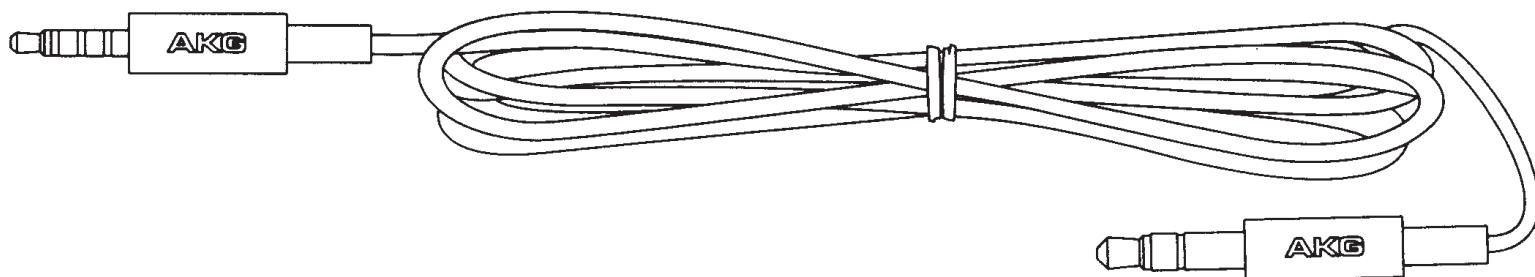
**CONTROLS**  
ÉLÉMENTS DE COMMANDE  
BEDIENELEMENTE



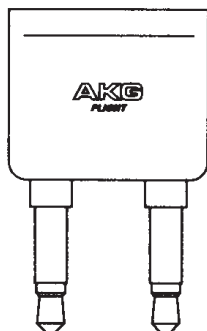
(5)



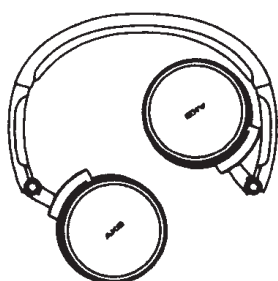
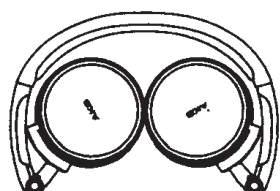
(6)



(7)



(8)



- (1) On/Off button
- (2) Charge control light
- (3) Operating control light
- (4) Combined charging/audio socket
- (5) Charging cable
- (6) Audio cable
- (7) Flight adaptor
- (8) Carrying case

### START-UP

Please charge your K490 NC before using it for the first time.

### CHARGING

Please connect the charging cable (5) to the joint charging/audio socket (4) as well as to a free USB socket on your computer or a USB power adaptor (not supplied). The red charge control light (2) indicates the charging process. It goes out when the K490 NC is fully charged. The charging process usually takes between 1.5 and 3 hours. It is not possible to listen and charge at the same time. However, during charging you can continue to use the sound cancelling function. We recommend that you store the K490 NC charged, when it is not in use for longer periods.

### AUDIO PLAYBACK

Connect the audio cable to the socket (4) and connect the other end with the earphones of your audio source.

### NOISE CANCELLING FUNCTION

Switch On/Off button (1) to position "NC" and place the K490 NC on your head. If necessary, adjust the earpieces as needed. The K490 NC does not need to be adjusted further. You can also use the K490 NC without audio source and audio cable to cancel sound.

The operating control light (3), which is green when in use, also indicates the charge level. It starts to flash when the charge is low. When the charge is not sufficient for the sound cancelling function and the operating control light (3) goes off, you can continue to use the K490 NC for audio playback without losing sound quality by switching off the on/off button (1)

### IN THE AIRCRAFT

Please use the aircraft adaptor supplied: This aircraft adaptor reduces the sensitivity of your earpiece to adjust it better to the typically predominant output, which occurs in aircraft. This reduces the volume difference between on-board entertainment programmes and announcements from the cockpit, for instance.

### NOTES

Do not use the headphones in particularly high temperatures (for instance in strong sunlight or in vehicles when there are extremely high temperatures, for instance) nor expose it to wet conditions. Do not use the headphones when the battery is faulty (leakage, smell, warmth when switched off) or when there are other defects. Do not open or modify the earphones under any circumstances. Store it out of reach of children, as small pieces can be swallowed or breathed in. Use the unit only with the cables supplied. There can be differences in volume between pure audio playback and combined audio/sound cancelling function, depending on the output of your audio equipment.

**FCC STATEMENT** This device complies with Part 15 of the FCC Rules. Operation is subject to the following two conditions: (1) this device may not cause harmful interference, and (2) this device must accept any interference received, including interference that may cause undesired operation.

- EN** To order your free copy of our Declaration of Conformity, please contact sales@akg.com
- FR** Vous pouvez prendre connaissance de la déclaration de conformité en faire la demande par e-mail à sales@akg.com
- DE** Sie können die Konformitätserklärung per E-mail an sales@akg.com anfordern
- IT** Per ottenere una copia gratuita della dichiarazione di conformità invia una e-mail a sales@akg.com
- ES** Para obtener una copia gratuita de la declaración de conformidad puede enviar un correo electrónico a sales@akg.com
- PT** Pode solicitar a Declaração de Conformidade por e-mail, através do endereço sales@akg.com
- NL** U kunt de conformiteitsverklaring aanvragen door een e-mail te sturen aan sales@akg.com
- PL** Aby otrzymać bezpłatny egzemplarz deklaracji zgodności, proszę wysłać e-mail na adres: sales@akg.com
- CS** Prohlášení o shodě si můžete vyžádat e-mailem na adrese sales@akg.com
- SL** Vyhlášení o zhode si možete vyžádat' e-mailom na adrese sales@akg.com
- HU** A megfelelőségi nyilatkozatot a sales@akg.com e-mail címen keresztül igényelheti
- RUM** Dumneavoastră puteţi solicita Declaraţia de Conformitate prin e-mail la adresa sales@akg.com
- BUL** Декларацията за съответствие можете да изискате по електронната поща от sales@akg.com
- DK** En gratis kopi af overensstemmelseserklæringen kan bestilles ved at kontakte sales@akg.com
- EST** Vastavusavalduse tasuta koopia tellimisek saatke e-kiri aadressil sales@akg.com
- FIN** Voit tilata vaatimustenmukaisuusvakuutuksen sähköpostitse osoitteesta sales@akg.com
- GR** Μπορείτε να ζητήσετε τη δήλωση συμμόρφωσης με E-mail προς sales@akg.com
- ISL** Þér getið farið fram á samræmisvottorð um norm og kröfur með því að senda tölvupóst til sales@akg.com
- LET** Atbilstības deklarāciju Jūs varat pieprasīt pa e-pastu sales@akg.com
- MAL** Tista' tordna id-dikjarazzjoni ta' konformità permezz ta' email lil sales@akg.com
- NOR** En kopi av samvarserklæringen kan bestilles via e-post hos sales@akg.com
- LIT** Norėdami užsisakyti produkto atitikimo deklaraciją (declaration of Conformity), susisiekite el. paštu sales@akg.com
- SLO** Če želite prejeti izjavo o skladnosti, pišite na e-poštni naslov sales@akg.com



**AKG Acoustics GmbH**  
Lemböckgasse 21 - 25  
1230 Vienna, Austria  
+43 1 86654 - 1519 | service@akg.com

**AKG Acoustics, U.S.**  
Service Dept., 8500 Balboa Boulevard  
Northridge, CA 91329, USA  
+ 1 818 920-3212 | akiguservice@harman.com

HARMAN

© 2011 Harman International Industries, Incorporated. All Rights reserved.  
AKG is a trademark of AKG Acoustics GmbH, registered in the United States and/or other countries.

DESIGNED AND ENGINEERED IN AUSTRIA BY AKG. MADE IN CHINA (P.R.C.).

[www.akg.com](http://www.akg.com)

Download from [www.Somanuals.com](http://www.Somanuals.com). All Manuals Search And Download.



**ATTENTION!**

CONSEILS DE SÉCURITÉ !

SICHERHEITSHINWEIS!

ATTENZIONE!

¡ATENCIÓN!

INDICAÇÕES DE SEGURANÇA!

INFORMAÇÃO DE SEGURANÇA!

SIKKERHETSHENVISNING!

SÄKERHETSANVISNINGAR!

TURVALLISUUSOHJE!

VEILIGHEIDSINSTRUCTIE!

WSKAZÓWKA BEZPIECZEŃSTWA!

BEZPEČNOSTNÍ POKYN!

POZOR!

BIZTONSÁGI TUDNIVALÓK!

UYARI!

УКАЗАНИЕ ПО МЕРАМ БЕЗОПАСНОСТИ!

警告!

安全提示!

경고!

# EN **WARNING!**

- To guarantee your personal safety, please ensure that these headphones are not worn or kept in the immediate vicinity (closer than 10 cm) of a pacemaker.
- Do not insert jack plug into electric sockets.
- Supervise children when using the equipment.  
The product is not a toy.



Headphone listening at high volume levels  
- particularly over extended  
periods of time - may damage your hearing.

## **IMPORTANT!**

The operation of switches on your hi-fi system or plugging in the headphones may cause clicks which at high volume settings may affect your hearing. Therefore, always set the volume control to minimum before switching between different sources (tuner, turntable, CD player, etc.) or plugging in the headphones. For traffic safety, do not use headphones while driving or cycling. The ear pads may deteriorate due to long-term storage or use.



v 1.6 | 9100U12780

**AKG Acoustics GmbH**

Lemböckgasse 21 - 25  
1230 Vienna, Austria  
+43 1 86654 - 1519  
service@akg.com

**AKG Acoustics, U.S.**

Service Dept., 8500 Balboa Boulevard  
Northridge, CA 91329, USA  
+ 1 888 452-4254  
hcgcustomersupport@harman.com

**[www.akg.com](http://www.akg.com)**

**HARMAN**

© 2011 Harman International Industries, Incorporated





**WARRANTY CARD**

BON DE GARANTIE

GARANTIEKARTE

CERTIFICATO DI GARANZIA

TARJETA DE GARANTÍA

CARTÃO DE GARANTIA

GARANTIKORT

TAKUUKORTTI

GARANTIEKAART

KARTA GWARANCYJNA

ZÁRUČNÍ KARTA

GARANCIJSKA KARTICA

GARANCIAJEGY

GARANTÍ KARTI

ГАРАНТИЙНЫЙ ТАЛОН

保証カード

保修卡

품질보증서

# EN WARRANTY CARD

## DEAR CUSTOMER

Thank you for buying an AKG brand product. AKG has been a leading manufacturer of microphones, headphones, and sound system products for more than sixty years. Numerous inventions by AKG have been patented. Users all over the world appreciate the proverbial quality of AKG equipment and we trust this product will fulfil all your needs and expectations. Should there be a problem, please read the Warranty Condition below: Should there be any problem with your product, see the dealer where you bought the product first. If this is not possible, please get in touch with the AKG Distributor for your region or country. To find the appropriate address, please visit the AKG website at [www.akg.com](http://www.akg.com) or contact one of the addresses listed below.

You will find further information on our homepage: [www.akg.com](http://www.akg.com)

## LIMITED WARRANTY

Valid in the United States of America and Canada

- AKG Acoustics GmbH grants a two year warranty against defects in material or workmanship from the date of original purchase of new, unused equipment, and agrees to repair or, at our option replace any defective unit without charge for either parts or labor.
- This warranty is valid for AKG products purchased and delivered within the United States / Canada for the original purchaser only.
- The purchaser's Bill of Sale will serve as proof of sale and warranty validity in the U.S. / Canada.
- Shipment of defective items to AKG for repair will be at the customer's own risk and expense. AKG will assume the return shipping cost for all items repaired under warranty.

## IMPORTANT:

This warranty does not cover damage resulting from accident, misuse or abuse, lack of reasonable care, the affixing of any attachment not provided with the product, loss of parts, or connecting the product to any receptacle other than specified. This warranty is void unless AKG Acoustics, U.S.'s service center / the authorized AKG Service Center of Canada performs the repair. No responsibility is assumed for any special, incidental or consequential damages caused by the consumer. However, the limitation of any right or remedy shall not be effective where law prohibits such.

## **WARRANTY CONDITIONS**

Valid outside the United States of America and Canada

- AKG warrants AKG products against evident defects in material and workmanship for a period of two years from the date of original purchase for use. This warranty does not cover electrical or mechanical damage resulting from misuse or abuse, lack of reasonable care, damage due to force majeure or natural forces, or inadequate repairs performed by unauthorized service centres.
- Guarantee service is available only in the region of original purchase.
- Batteries and wear of parts due to normal use are not covered by this warranty.
- Performance of repairs or replacements under this warranty is subject to submission of this warranty card, completed and signed by the dealer on the day of purchase, and the sales invoice. Shipment of the defective item for repair under this warranty will be at the customer's own risk and expense. This warranty is valid for the original purchaser as the final user only. AKG Acoustics GmbH will, at AKG Acoustics GmbH's option, repair or replace items returned for repair under this warranty.
- In some countries, product liability legislation may give you other rights beyond the scope of this warranty card. Where applicable, such rights shall replace the rights and conditions stated in this warranty card.



v 1.4 | 9100U12880

**AKG Acoustics GmbH**

Lemböckgasse 21 - 25  
1230 Vienna, Austria  
+43 1 86654 - 1519  
service@akg.com

**AKG Acoustics, U.S.**

Service Dept., 8500 Balboa Boulevard  
Northridge, CA 91329, USA  
+ 1 888 452-4254  
hcgcustomersupport@harman.com

**www.akg.com**

**HARMAN**

© 2011 Harman International Industries, Incorporated

## Free Manuals Download Website

<http://myh66.com>

<http://usermanuals.us>

<http://www.somanuals.com>

<http://www.4manuals.cc>

<http://www.manual-lib.com>

<http://www.404manual.com>

<http://www.luxmanual.com>

<http://aubethermostatmanual.com>

Golf course search by state

<http://golfingnear.com>

Email search by domain

<http://emailbydomain.com>

Auto manuals search

<http://auto.somanuals.com>

TV manuals search

<http://tv.somanuals.com>