

NDR-RS

NDR Lamp Memory Master Station with External Control Capability for Rescue Assistance

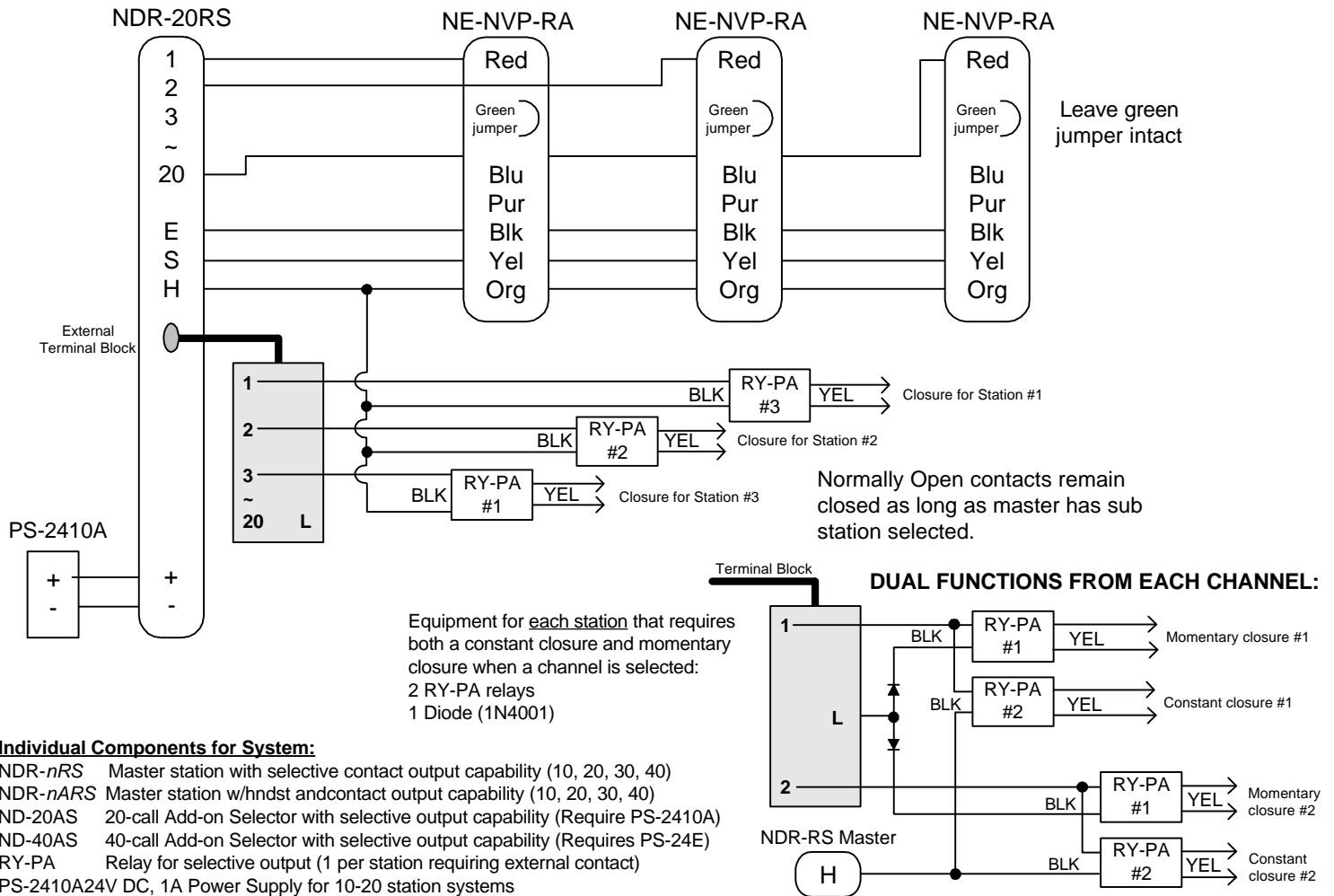
NDR-10RS NDR-20RS NDR-30RS NDR-40RS

NDR-10ARS NDR-20ARS NDR-30ARS NDR-40ARS

- INSTRUCTIONS -

The NDR-nRS Lamp Memory System is designed for use with the NE-NVP-RA Rescue Assistance sub stations. The NE-NVP-RA provides communication and call status indication for applications with ADA requirements for Areas of Rescue Assistance. The NE-NVP-RA features Braille signage, a large red call button, and "call placed" and "help coming" LED indicators. The sub station flush mounts into a 3-gang masonry-type box, or surface mounts in the SBX-NVP. Tamper proof screws are provided, along with a wrench for installation. Remote lamps can be added for better visibility of a station's status. The NDR-nRS master station is equipped with a door release button and a reset button to reset calls at the master station. The NDR-nRS has outputs to activate an external device, such as a CCTV camera when the associated sub station is selected, or selectively controlling the corresponding door strike or maglock.

WIRING DIAGRAM: SYSTEM USED FOR CCTV CAMERA CALL-UP



Individual Components for System:

- NDR-nRS Master station with selective contact output capability (10, 20, 30, 40)
- NDR-nARS Master station w/hndst andcontact output capability (10, 20, 30, 40)
- ND-20AS 20-call Add-on Selector with selective output capability (Require PS-2410A)
- ND-40AS 40-call Add-on Selector with selective output capability (Requires PS-24E)
- RY-PA Relay for selective output (1 per station requiring external contact)
- PS-2410A 24V DC, 1A Power Supply for 10-20 station systems
- PS-24E 24V DC, 2A Power Supply for 30-40 station systems
- NE-NVP-RA Vandal proof sub station with call status indicators and braille signage

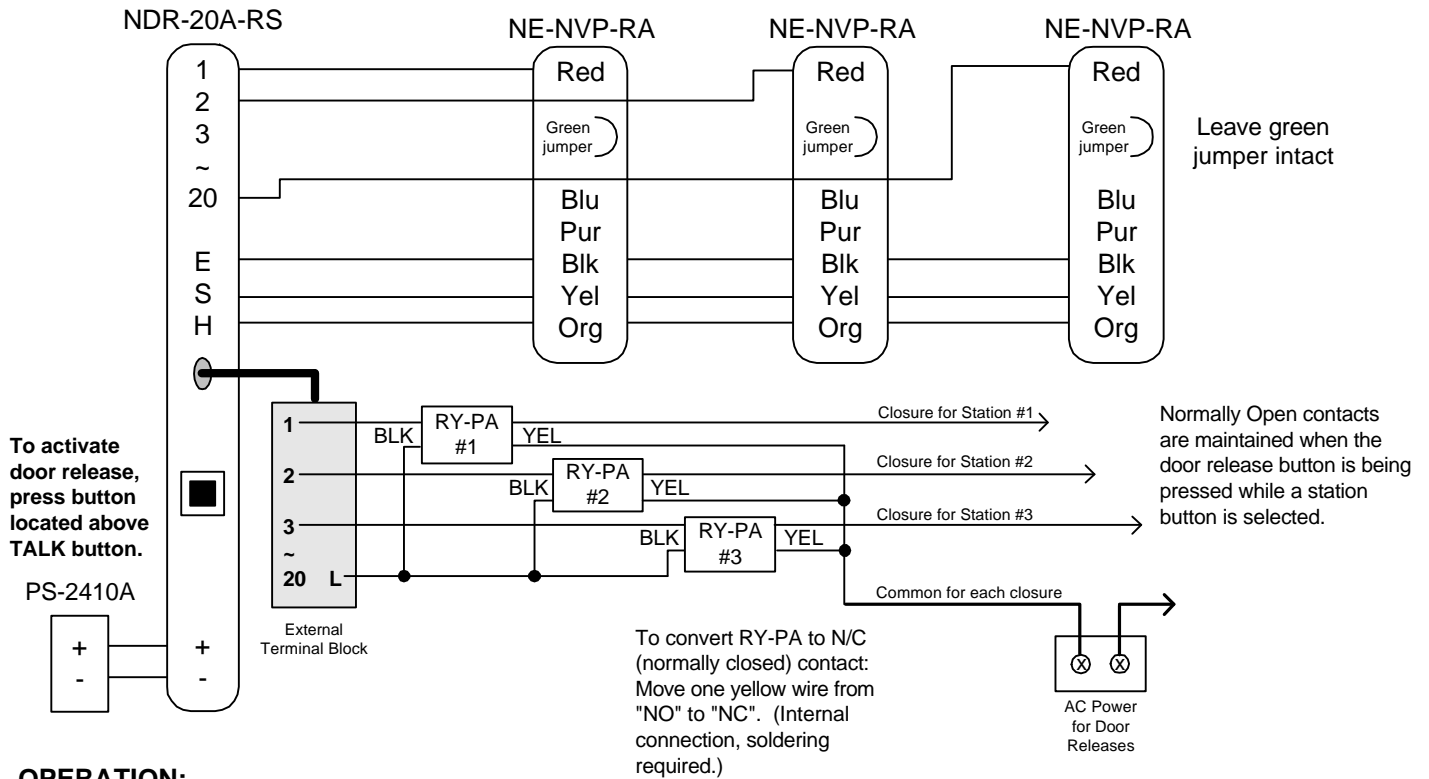
IMPORTANT:

- RY-PA must be used for each additional contact to isolate AC voltage from the intercom circuit.
- Extra contact connections and L are on separate terminal block. NDR-30/40RS have two terminal blocks.

NDR-RS TERMINAL DEFINITIONS:

- + Positive 24V DC
- Negative
- 1~40 Station number
- E Common communication
- S Sends "call placed" tone to sub
- H Resets call signals at sub when RESET button is pressed.

WIRING DIAGRAM: SYSTEM USED FOR SELECTIVE DOOR RELEASE



OPERATION:

* POWER SWITCH MUST BE ON FOR SYSTEM TO BE OPERABLE.

1. When a station calls in, press the selector button corresponding to the lit LED.
2. To speak to the person at the remote station, press the TALK button or pick up the handset. Release TALK button to hear reply. Communication via the handset is VOX (voice actuated).
3. If the extra contacts are used as shown in the "camera call-up" diagram, activating a device that is to remain on for the duration of the call, the station's relay will stay activated as long as the selector button is depressed.
4. If the extra contacts are used as shown in the "selective door release" diagram, press the "door release" button while the selector button is depressed. This will activate the corresponding relay as long as the button is being pressed, which will activate the door release mechanism.
5. When the conversation is completed, press the OFF button to the left of the station selector button. Hang up handset.

SPECIFICATIONS

Power Source: 24V DC at master. Use PS-2410A (NDR-10, 20) or PS-24E (NDR-30, 40).

Commun. Output: 500mW at 20 ohms

Communication: Push-to-talk, release-to-listen (TALK button) or VOX handset at master. Hands free at sub station.

Calling: Master to sub: By voice only after pretone.
Sub to master: Call button on sub activates tone and LED at master, remaining active until answered.

Wiring: 2 conductors homerun to sub station, or loop multi-conductor with 1 common + 1 individual wire per sub station on wire run.
Separate 2 conductor from RY-PA to external device.

Shielded cable is recommended. Use Aiphone #822202 (22AWG) or #821802 (18AWG) wire (2 cond.).

Wiring Distance: 420' with 22AWG; 1,000' with 18AWG.

For additional information about this system, please refer to the standard NEM instructions.

Aiphone Communication Systems
1700 130th Ave. N.E.
Bellevue, WA 98005
(425) 455-0510
FAX (425) 455-0071

Toll Free Technical Support

Phone: 1-800-692-0200

FAX: 1-800-832-3765

Pg. 2
NDR-RS Instr.
1098bkjd

Free Manuals Download Website

<http://myh66.com>

<http://usermanuals.us>

<http://www.somanuals.com>

<http://www.4manuals.cc>

<http://www.manual-lib.com>

<http://www.404manual.com>

<http://www.luxmanual.com>

<http://aubethermostatmanual.com>

Golf course search by state

<http://golfingnear.com>

Email search by domain

<http://emailbydomain.com>

Auto manuals search

<http://auto.somanuals.com>

TV manuals search

<http://tv.somanuals.com>