

KMB-45

45° ANGLE MULLION MOUNTING BRACKET

- INSTALLATION INSTRUCTIONS -

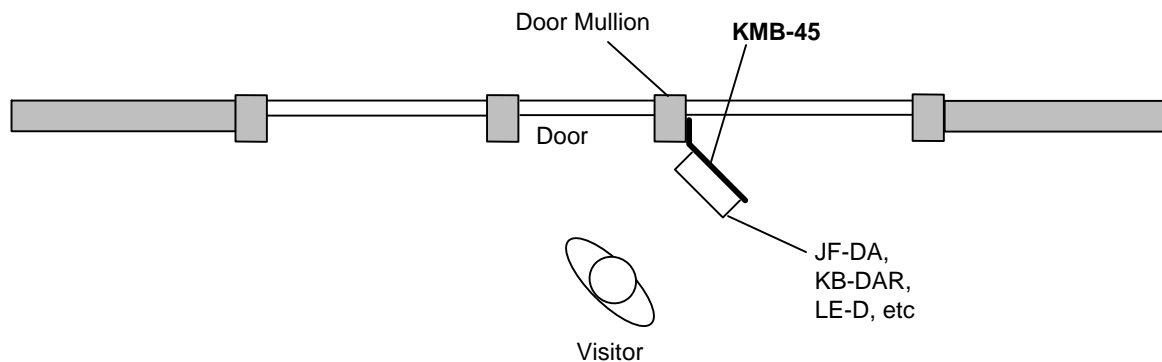
Package Contents

- 45° Angle Bracket
- Packet of screws
- Installation Manual

DESCRIPTION

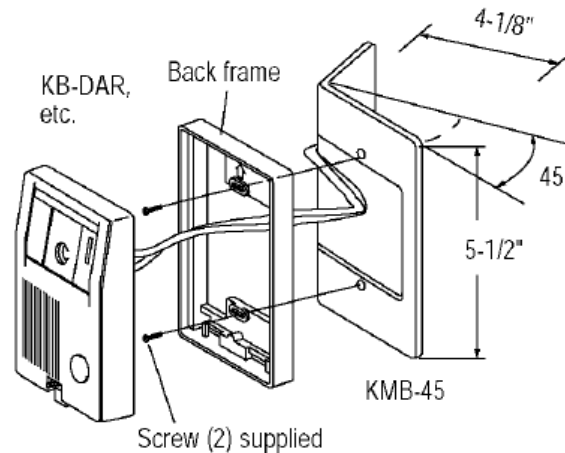
The KMB-45 is a 45° angle Mullion Mounting Bracket for installing Aiphone 1-gang audio and video door stations onto a mullion style door frame. The KMB-45 can be installed on either side of the door.

Compatible door stations: JK-DA, JF-DA, KB-DAR, KC-DAR, JA-DAC, MK-DAC, MK-DH, IF-DA, LE-D



MOUNTING

1. Run wires through door mullion and out to where door station will be installed.
2. Run wires to inside of KMB-45 and mount bracket to the door frame.
3. Mount the back frame of the door station (if applicable) to the KMB-45.
4. Connect wires to the door station and secure it onto the back frame.



Mount KMB-45 to mullion. Connect wires and mount door station to face of bracket.



Do not make wiring connections while the system is powered.

Free Manuals Download Website

<http://myh66.com>

<http://usermanuals.us>

<http://www.somanuals.com>

<http://www.4manuals.cc>

<http://www.manual-lib.com>

<http://www.404manual.com>

<http://www.luxmanual.com>

<http://aubethermostatmanual.com>

Golf course search by state

<http://golfingnear.com>

Email search by domain

<http://emailbydomain.com>

Auto manuals search

<http://auto.somanuals.com>

TV manuals search

<http://tv.somanuals.com>