

# IS-WBCA, IS-WBCE

Stainless Steel Wall Mount Box with Assistance  
or Emergency Signage and a Light Cage

## -INSTRUCTIONS-

The IS-WBCA wall box comes with “ASSISTANCE” in reflective blue lettering on both sides of the box. A blue beacon/strobe is mounted on top enclosed in a vandal resistant cage.

The IS-WBCE wall box comes with “EMERGENCY” in reflective red lettering on both sides of the box. A blue beacon/strobe is mounted on top enclosed in a vandal resistant cage.

The IS-WBCA, and IS-WBCE are made of 12 Gauge stainless steel and are weather/vandal resistant. The wall boxes’ narrow 4” depth allows it to meet all ADA mounting requirements. The blue beacon/strobe requires a 24V DC power source, not included. Compatible emergency / assistance sub stations include the IS-SS-RA, IS-SS-2RA, and IS-DVF-2RA.

### IS-WBCA

Wall box with  
Light Cage and Blue  
Assistance Signage



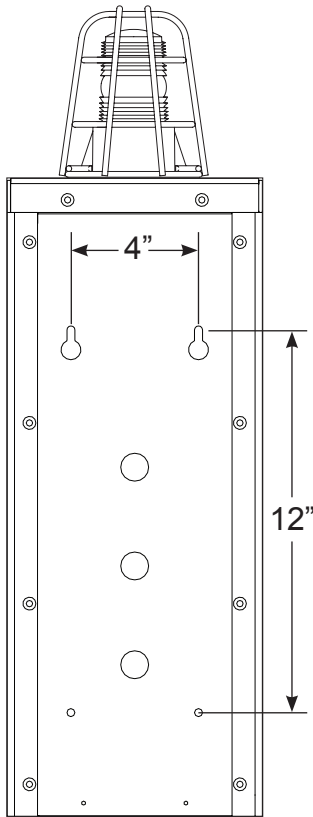
### IS-WBCE

Wall box with  
Light Cage and Red  
Emergency Signage



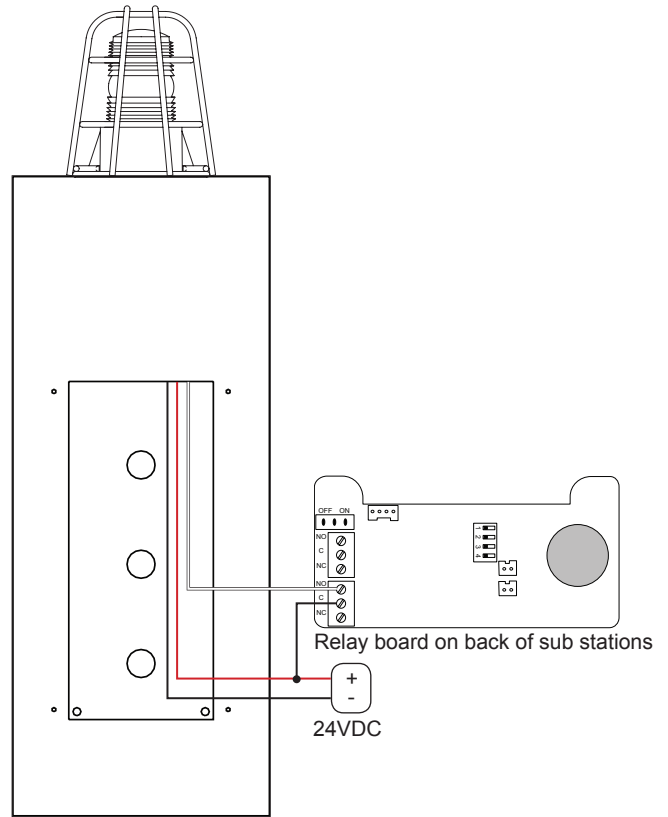
## MOUNTING / WIRING:

The IS-WBCA / IS-WBCE wall box comes pre-assembled with the beacon/strobe and the cage attached. Mount the box to the wall, then wire the beacon/strobe, as well as the intercom sub station. Complete installation by mounting the intercom sub station to the wall box. See below for additional information.



Back View

Secure the wall box to any flat surface using mounting hardware suitable for the surface you are mounting to. Top mounting holes are 4" apart and top to bottom mounting holes are 12" apart.



Front View

Connect the red and black wires from the beacon / strobe to a 24V DC power supply. Red to positive and black to negative. Connect the white trigger wire to the N/O side of relay 2 on the sub station. Connect a wire between the common of relay 2 and the positive terminal of the 24V DC power supply. See the sub station's installation manual for its complete wiring and dip switch setting options.

## SPECIFICATIONS:

### Surface box:

Mounting:	Surface mount directly to wall
Material:	12 Guage Stainless Steel
Color:	Polished Stainless Steel
Dimensions:	
Box only	20" H x 8" W x 4" D
Including cage	26" H x 8" W x 4" D

### Beacon / strobe:

Voltage:	24V DC
Current:	200mA
Wiring:	Black: Ground Red: +24V DC White: Trigger
Operating Temp:	-40°F to 149°F

## Free Manuals Download Website

<http://myh66.com>

<http://usermanuals.us>

<http://www.somanuals.com>

<http://www.4manuals.cc>

<http://www.manual-lib.com>

<http://www.404manual.com>

<http://www.luxmanual.com>

<http://aubethermostatmanual.com>

Golf course search by state

<http://golfingnear.com>

Email search by domain

<http://emailbydomain.com>

Auto manuals search

<http://auto.somanuals.com>

TV manuals search

<http://tv.somanuals.com>