

PAGING ADAPTOR

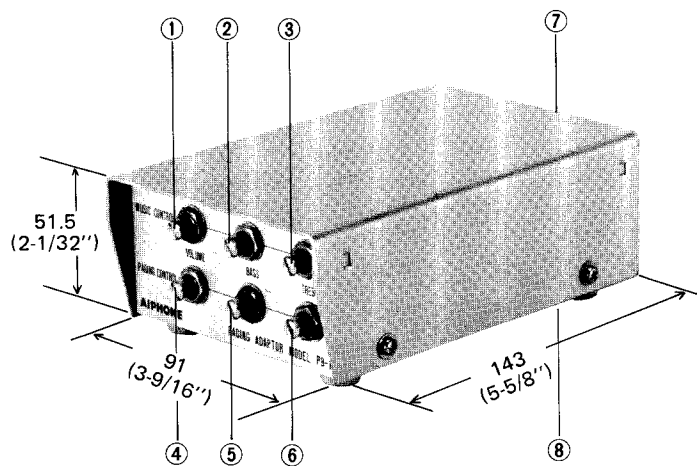
MODEL PB-1

With automatic background music cutout

Allows connection of AIPHONE TB-F and TB-H systems to most existing paging or background music system.

— INSTRUCTIONS —

NAMES AND FUNCTIONS



- ① Volume control for background music.
- ② Bass control for background music.
- ③ Treble control for background music.
- ④ Volume control for paging.
- ⑤ Bass control for paging.
- ⑥ Treble control for paging.
- ⑦ Connections.
- ⑧ Volume control for pre-tone.

AIPHONE PB-1 paging adaptor controls allow individual adjustment of paging or background music volume or both before entering a single input on any standard P.A. amplifier.

SPECIFICATIONS

PB-1

- * Power source: 12V DC. Use PS-12A (or PS-12C) power supply which must be connected directly to PB-1 and then may be extended to phone network.
- * Current consumption: 20 mA maximum.
- * Output: 5K ohm; 1.5 volt maximum.
- * Tone controls for music: Treble : at 10K Hz, 12 dB. Bass : at 100 Hz, 12 dB.
- * Tone controls for paging: Treble : at 10K Hz, 12 dB. Bass : at 100 Hz, 12 dB.
- * Music input: 17K ohm; 0.3 volt, 1K Hz for full output.

AMPLIFIER REQUIREMENTS

- * Input: Connect to either AUX or PHONO terminal 100K-500K ohm, 0.12-0.5 volt.

TUNER OUTPUT REQUIREMENTS

- * Use audio output: RANGE; 100 mV-1.2V, 10K ohm or less.

TAPE OUTPUT REQUIREMENTS

- * Use low level output: RANGE; 100 mV-1.2V, 600 ohm.

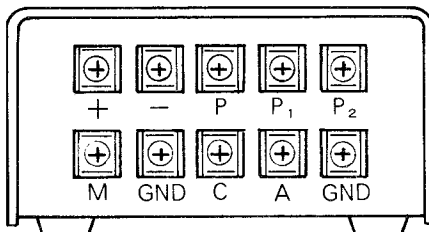
FEATURES:

- * Provides a single zone paging when used with Aiphone TB-F system.
- * Any number of separate zones of paging may be established when used with Aiphone TB-H system. One potential phone must be deducted for each paging block installed.
- * Separate paging channel from conversation channel. A conversation taking place on any phone will not be broadcast over paging speakers.
- * Individual volume and tone controls for background music and paging.
- * Pre-tone prior to paging announcement to attract attention of people.
- * Talkback paging may be added when used in conjunction with PB-2.
- * Hardware for wall mounting included.

INSTALLATION

Do not attempt to install your PB-1 adaptor until you have read and thoroughly understood the installation procedure. Requirements indicated under SPECIFICATIONS on page one of this manual **MUST BE MET.** Aiphone's warranty for the adaptor and the system is void if adaptor is installed in a manner other than described in this manual.

ACTUAL PB-1 TERMINAL LOCATIONS



WIRING REQUIRED

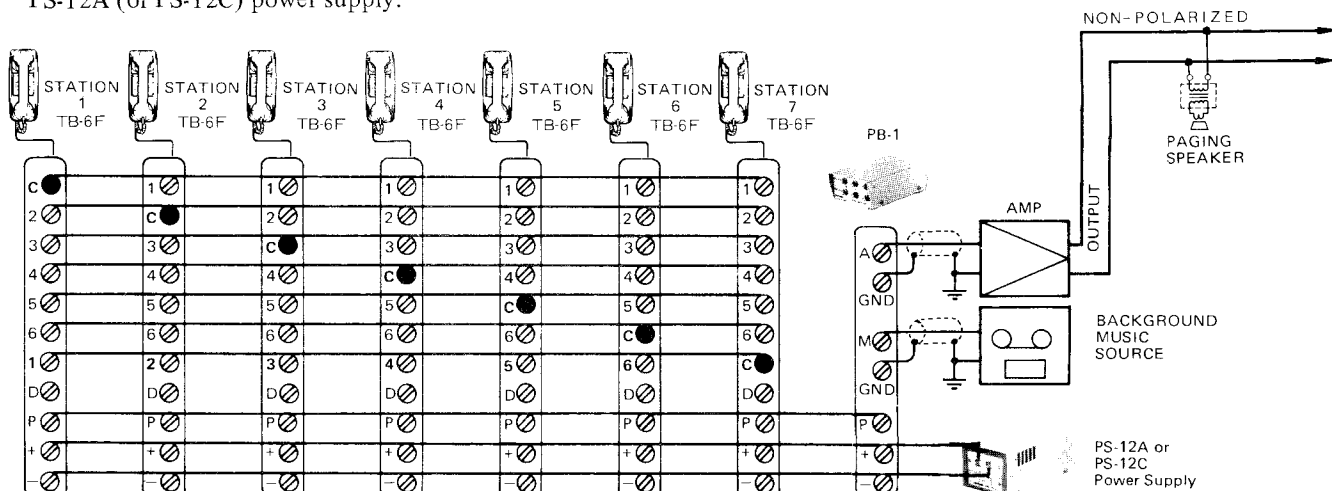
- 1) From phone network to PB-1;
 - * a) with TB-F system; 3 conductors.
 - * b) with TB-H system: 2 common plus one per PB-1.
- 2) From BGM source to PB-1; 2 conductors (shielded cable must be used).
- 3) From PB-1 to paging amplifier; 2 conductors (shielded cable must be used).
- 4) From paging amplifier to speakers; 2 conductors.

- (+) (−) : DC power connections.
- (P) : For paging input, (and block selection in TB-H system)
- (M) (GND) : Connect to the music output.
- (A) (GND) : Connect to the amplifier input.
- (P1) (P2) (C) : Not required for TB-F or TB-H system.

TB-F PHONE SYSTEM WITH SINGLE ZONE PAGING

AIPHONE Model TB-F provides a separate channel for paging and does not require any potential phone to be deducted from your communication network and thus allows independent paging announcement with phone-to-phone communication present.

- * One PB-1, one paging amplifier and appropriate paging speakers must be used in addition to the TB-F system powered by PS-12A (or PS-12C) power supply.

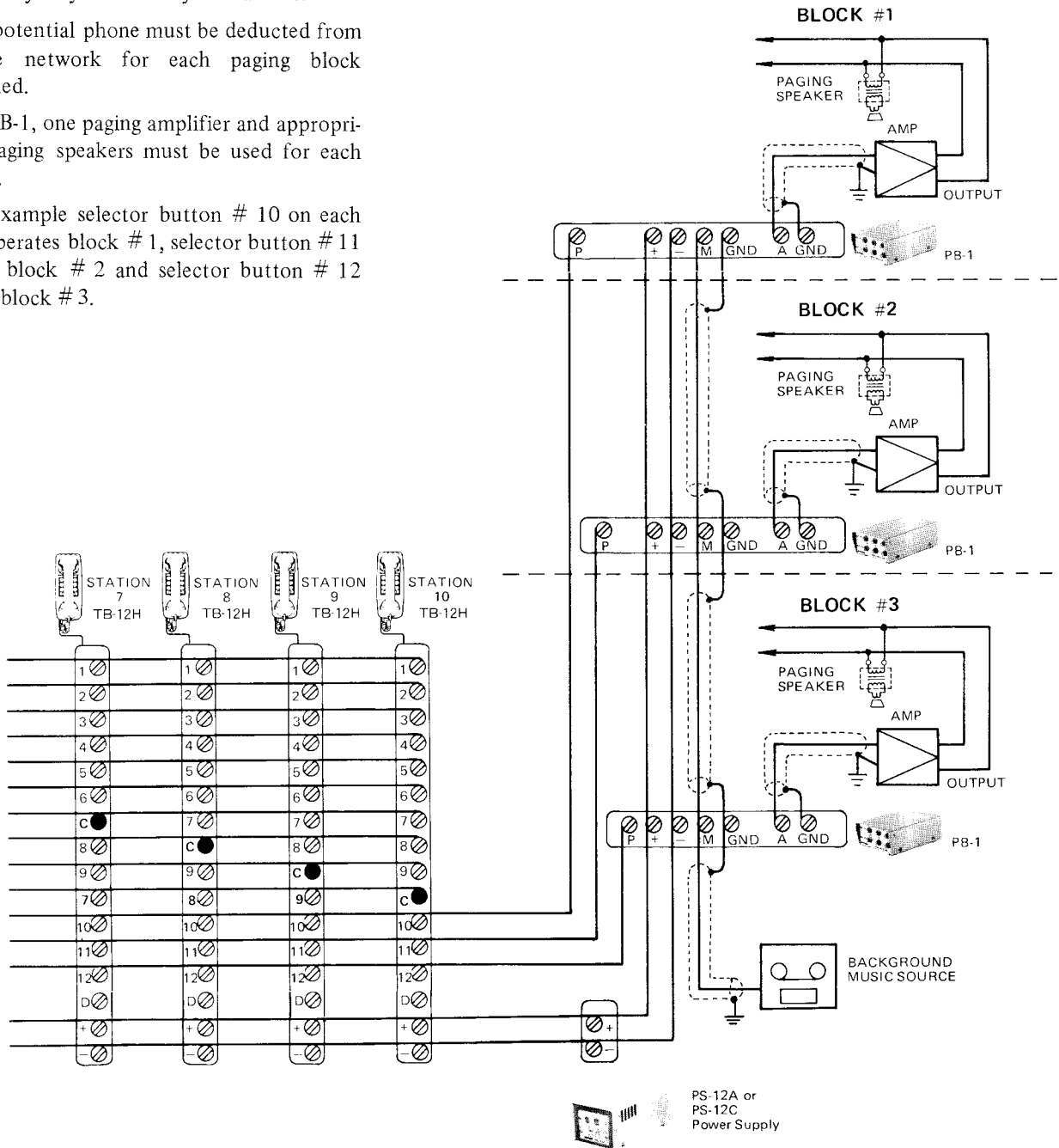


TB-H PHONE SYSTEM WITH THREE PAGING BLOCKS

AIPHONE MODEL TB-H is a multi-channel system allowing not only multiple separate communications between phone stations but also multiple separate paging operations at the same time.

- 1) You may install paging blocks as selector capability of your TB-H system allows.
- 2) One potential phone must be deducted from phone network for each paging block installed.
- 3) One PB-1, one paging amplifier and appropriate paging speakers must be used for each block.

In this example selector button # 10 on each phone operates block # 1, selector button # 11 operates block # 2 and selector button # 12 operates block # 3.



ADJUSTING CONTROLS

- 1) Set PB-1 volume, treble, and bass controls for both background music and paging at midpoint.
- 2) Adjust volume control on paging amplifier to desired level for paging. If paging amplifier has treble and bass controls, set them at midpoint.
- 3) Adjust PB-1 background music volume control to achieve desired background music level. Fine tune background music treble and bass by adjusting controls on PB-1.
- 4) Fine tune paging treble and bass controls on PB-1.

TB-F PAGING OPERATION

- 1) Pick up the handset and make announcement by pushing and holding the paging button. Background music will automatically cut out during paging.
- 2) If you wish a reply, wait by holding the handset but releasing the paging button (a called person can reply from a nearest phone).

NOTE: Separate paging channel allows paging announcement while a conversation takes place between other phones. A conversation with door, however, uses the paging channel and will be interrupted by paging announcement.

TB-H PAGING OPERATION

- 1) Pick up the handset and depress the selector button.
- 2) Make paging announcement by pushing and holding the paging button. Background music will automatically cut out during paging.
- 3) If you wish a reply, wait by holding the handset but releasing the paging button (a called person can reply by depressing the selector button corresponding to the block now paged on a nearest phone).

* * *

We at AIPHONE are proud of our products. Our designers and engineers strive to bring you the finest in communication equipment. Each item has been carefully tested and inspected before leaving our factory. Properly installed and used, your Aiphone intercom system should give years of trouble-free service.

We are pleased to offer the following warranty;

WARRANTY

Aiphone warrants its products to be free from defects of material and workmanship under normal use and service for a period of one year after delivery to the ultimate user and will repair free of charge or replace at no charge, should it become defective upon which examination shall disclose to be defective and under warranty. Aiphone reserves unto itself the sole right to make the final decision whether there is a defect in materials and/or workmanship; and whether or not the product is within the warranty.

This warranty shall not apply to any Aiphone product which has been subject to misuse, neglect, accident, or to use in violation of instructions furnished, nor extended to units which have been repaired or altered outside of the factory.

This warranty does not cover batteries or damage caused by batteries used in connection with the product.

This warranty covers bench repairs only, and any repairs must be made at the shop or place designated in writing by Aiphone. Aiphone will not be responsible for any costs incurred involving on site service calls.

Aiphone Co., Ltd., Nagoya, Japan
Aiphone Corporation, Bellevue, Washington

PB-1 I-0384©

ALL OVER THE WORLD **AIPHONE**

PRINTED IN JAPAN

Free Manuals Download Website

<http://myh66.com>

<http://usermanuals.us>

<http://www.somanuals.com>

<http://www.4manuals.cc>

<http://www.manual-lib.com>

<http://www.404manual.com>

<http://www.luxmanual.com>

<http://aubethermostatmanual.com>

Golf course search by state

<http://golfingnear.com>

Email search by domain

<http://emailbydomain.com>

Auto manuals search

<http://auto.somanuals.com>

TV manuals search

<http://tv.somanuals.com>