

DOOR RELEASE ADAPTOR

Model: **RY-3DL**

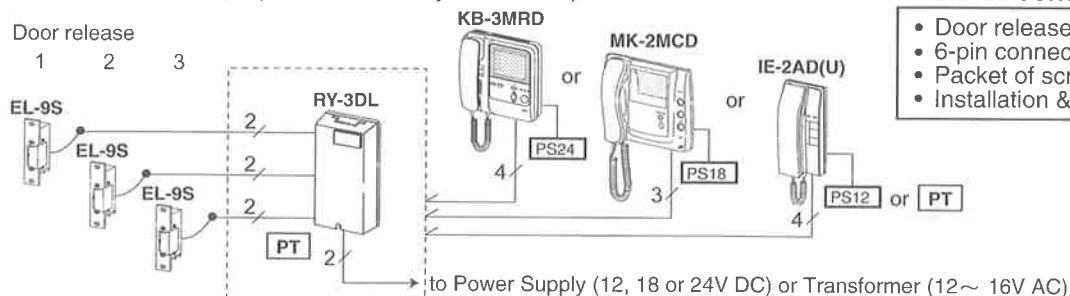
INSTALLATION & OPERATION MANUAL

1 SYSTEM OUTLINE & COMPONENTS

The RY-3DL provides selective door release capability with the KB-3MRD Video Sentry Color Tilt, MK-2MCD Video Sentry PanTilt Plus, or IE-2AD(U) Chime Tone Intercom. Normally Open and Normally Closed outputs are available.

PACKAGE CONTENTS

- Door release adaptor RY-3DL
- 6-pin connector (for MK-2MCD)
- Packet of screws
- Installation & Operation Manual



⚠ Run door release wires in separately jacketed cable from audio/video wires.

SYSTEM COMPONENTS

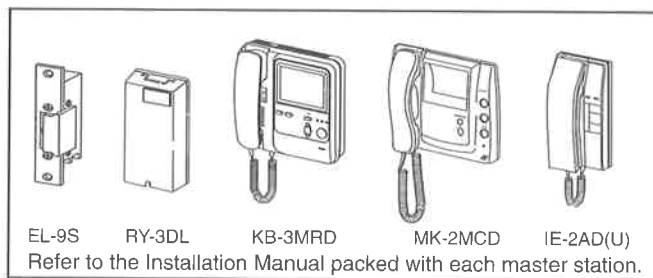
KB-3MRD: Color video system w/3 door releases.
(Power supply: PS-2420)

MK-2MCD: PanTilt video system w/2 door releases.
(Power supply: PS-1820)

IE-2AD(U): Chime tone intercom w/2 door releases.
(Power supply: PS-1225)

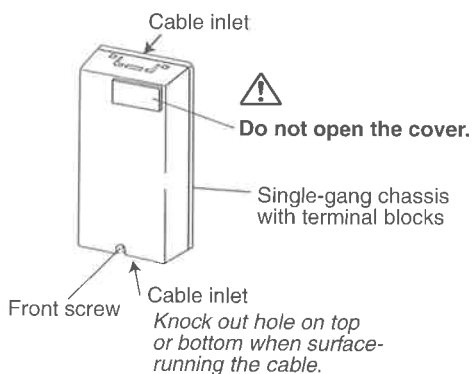
RY-3DL: 3 Door release adaptor.
Powered by system power supply.

EL-9S: Door release AC 12V, 0.35A. Powered by AC transformer (PT-1210N in USA or KVF in Europe)



2 NAMES & FEATURES

RY-3DL

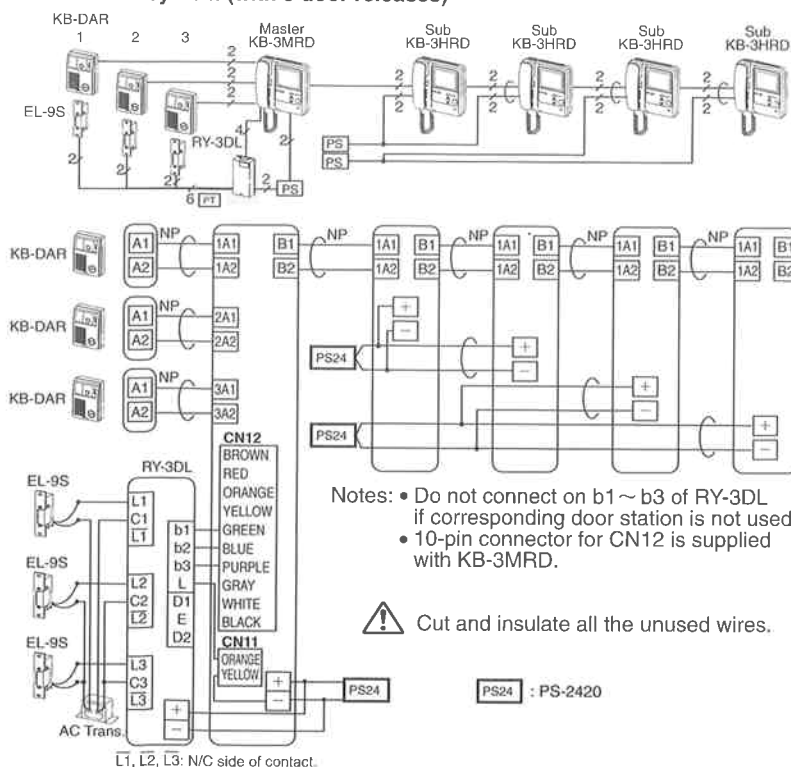


FEATURES

- Selective door release with one button.
- Door release contacts release the door where communication is established.
- Works with three different systems: KB-3MRD, MK-2MCD & IE-2AD(U).
- Normally open contacts for electric door strikes
- Normally closed contacts for magnetic locks.

3 WIRING DIAGRAMS

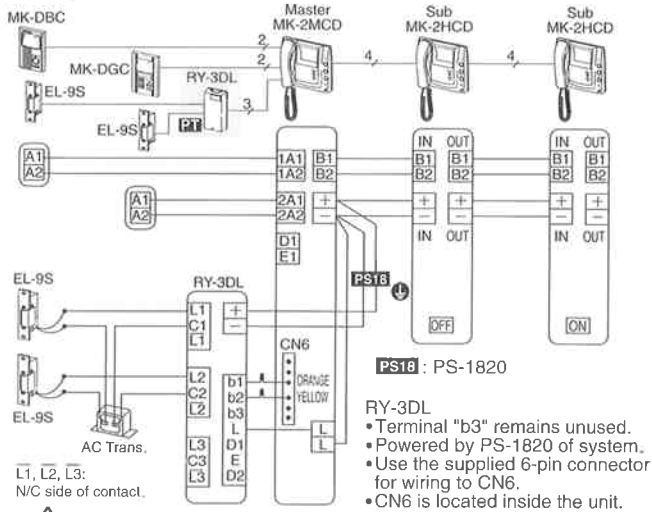
• KB-3MRD system (with 3 door releases)



4 WIRING DIAGRAMS

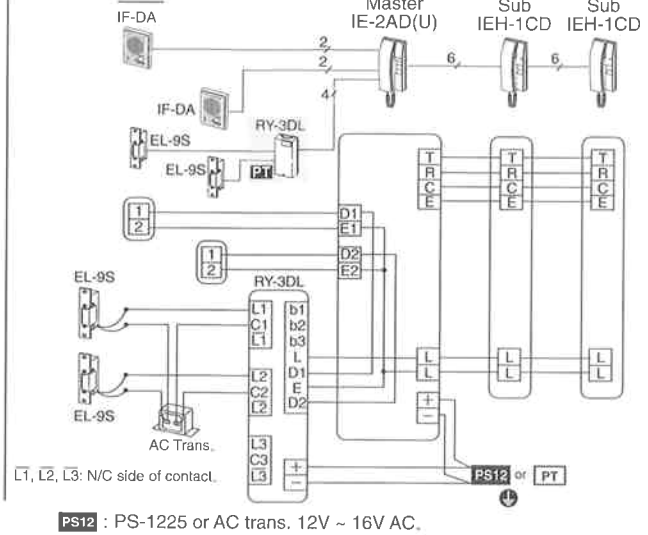
• MK-2MCD system (with 2 door releases)

PanTilt door stations

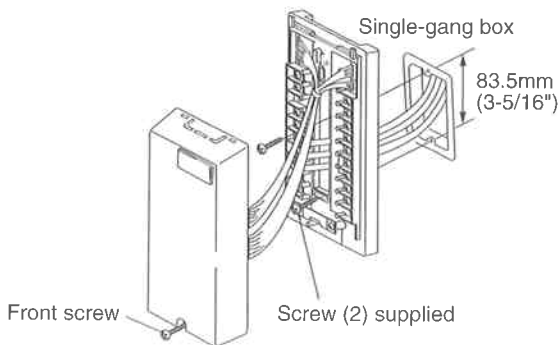


• IE-2AD(U) (with 2 door releases)

IE/IF door stations



5 MOUNTING



1. Loosen front screw (attached).
2. Disconnect and separate RY-3DL from chassis.
3. Attach the chassis to single-gang box or directly to wall surface.
4. Terminate wires on screw terminals, and splice with wires from the master station.

6 OPERATIONS

When communication is established to a door station, the single door release button on the intercom will activate the door release mechanism associated with that door. The adaptor can be installed with the power supplies for the system.

7 TECHNICAL PRECAUTIONS

- Do not remove rubber cover on front panel, as inside components will be exposed.
- Do not use any unused terminals for any other purpose.
- Do not attempt to connect two door releases to a single control terminal Ln, Cn (n = 1 ~ 3).
- When RY-3DL is mounted below master station, the image may slightly vary at release of door release button. Keep RY-3DL at least 10m, 33' away from master station.
- When IE-2AD(U) does not have door station 2 (or 1) connected, eliminate use of door release 2 (or 1) by disconnecting D2 (or D1) terminal between RY-3DL and IE-2AD(U).

Cleaning

Clean the RY-3DL unit with a soft cloth dampened with neutral household cleanser. Do not use any harsh cleaner or cloth.

8 SPECIFICATIONS

- Power source: 12 ~ 24V DC 30mA, or 12 ~ 16V AC 60mA, supplied from System's power supply: PS-2420 (KB-3MRD's), PS-1820 (MK-2MCD), PS-1225 or AC trans. (IE-2AD(U)).
- Relay contacts: N/O or N/C output. 1A at 50V AC. 1A at 30V DC. (For other types, use a matching relay)
- Wiring:
 - 4 wires, between KB-3MRD & RY-3DL.
 - 3 wires, between MK-2MCD & RY-3DL.
 - 4 wires, between IE-2AD(U) & RY-3DL.
 - 2 wires to each door release.
- Wiring distance:

Wire size	0.65mm	1.0mm	22AWG	18AWG
Master to RY-3DL	50m	100m	165'	330'
RY-3DL ~ EL-9S	50m	100m	165'	330'

The distance secured may vary when using door release.

- Dimensions: 140H x 74W x 42D (mm). 5-1/2"H x 3"W x 1-1/2"D.
- Weight: Approx. 200g (0.44lbs.).

WARRANTY

Aiphone warrants its products to be free from defects of material and workmanship under normal use and service for a period of one year after delivery to the ultimate user and will repair free of charge or replace at no charge, should it become defective upon which examination shall disclose to be defective and under warranty. Aiphone reserves unto itself the sole right to make the final decision whether there is a defect in materials and/or workmanship; and whether or not the product is within the warranty.

This warranty shall not apply to any Aiphone product which has been subject to misuse, neglect, accident, or to use in violation of instructions furnished, nor extended to units which have been repaired or altered outside of the factory.

This warranty does not cover batteries or damage caused by batteries used in connection with the product.

This warranty covers bench repairs only, and any repairs must be made at the shop or place designated in writing by Aiphone. Aiphone will not be responsible for any costs incurred involving on site service calls.

AIPHONE CO., LTD., NAGOYA, JAPAN
 AIPHONE CORPORATION, BELLEVUE, WA, USA
 AIPHONE EUROPE N.V., ANTWERP, BELGIUM

AIPHONE®

Providing Peace of Mind
<http://www.aiphone.com/>

Printed in Japan (E)

Free Manuals Download Website

<http://myh66.com>

<http://usermanuals.us>

<http://www.somanuals.com>

<http://www.4manuals.cc>

<http://www.manual-lib.com>

<http://www.404manual.com>

<http://www.luxmanual.com>

<http://aubethermostatmanual.com>

Golf course search by state

<http://golfingnear.com>

Email search by domain

<http://emailbydomain.com>

Auto manuals search

<http://auto.somanuals.com>

TV manuals search

<http://tv.somanuals.com>