

DC POWER SUPPLY FOR INTERCOMS

MODELS PS-12A (*standard type*)
PS-12C

For use with TD-H, TD-Z, LEF and MP-S systems.

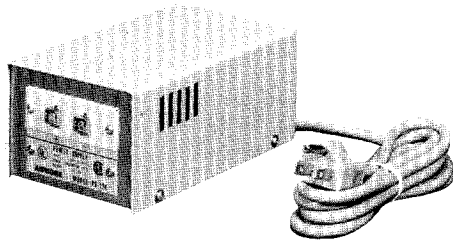
This unit contains solid state voltage regulation and self restoring overload protection.

— INSTRUCTIONS —

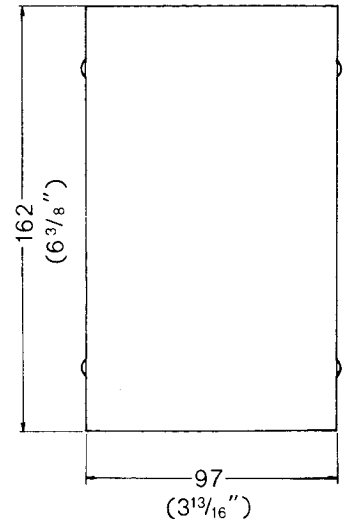
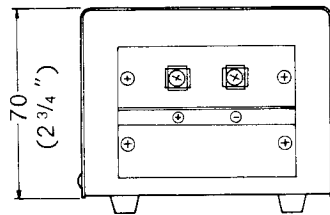
DIMENSIONS: PS-12A or PS-12C



This symbol on the nameplate means the product is Listed by Underwriters Laboratories Inc.



PS-12C



RATINGS

- | | | |
|---------------------------|--------------------------------|-----------------|
| * Input voltage: | PS-12A; AC 110-125V, 220-240V | PS-12C; AC 120V |
| * Frequency: | 50/60 Hz. | |
| * Power consumption: | 28W | |
| * Output voltage: | DC 12V | |
| * Maximum output current: | PS-12A; DC 0.8A, PS-12C; DC 1A | |

INSTALLATION

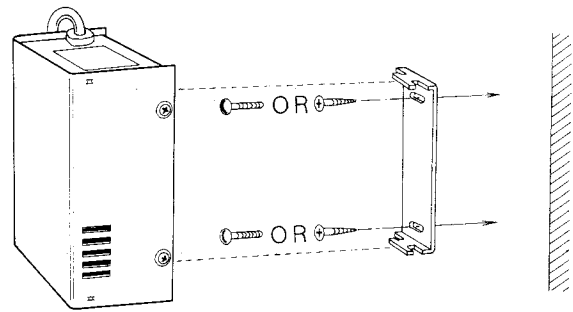
1. Model PS-12A (or PS-12C) has DC plus and minus output terminals. Observe terminal polarity.
2. The power supply should be installed near the center of the wiring network.
3. Always refer to the instructions supplied with the intercom system you are installing.

CAUTION

- * To prevent fire or shock hazard, do not expose this appliance to rain or moisture.
- * No user-serviceable parts inside. Refer servicing to qualified service personnel.
- * Afin d'empêcher un électrochoc, ne pas enlever le couvercle. Les réparations ne devront être faites que par des personnes qualifiées.
- * Cet appareil ne devrait pas être exposé à la pluie ou à l'humidité, pour empêcher la possibilité de feu ou choc.

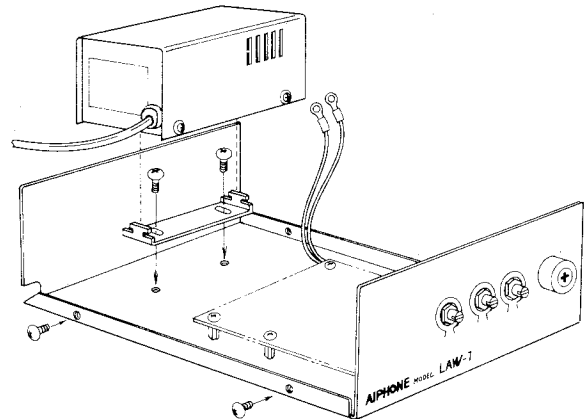
INSTALLATION FOR WALL MOUNTING

- 1) Attach the mounting bracket to box or wall.
- 2) Attach the power supply to this mounting bracket.



MOUNTING INSIDE THE LAW-1 AMPLIFIER CABINET

- 1) Remove four screws on the sides of LAW-1 and lift the cover from the base.
- 2) Attach the mounting bracket to the LAW-1 chassis, using 4 x 6mm screws supplied with the power supply.
- 3) Attach the power supply to this mounting bracket.
- 4) Connect the red and black wires within the LAW-1 to plus and minus terminals respectively of the power supply.
- 5) Replace the amplifier cover (note 1).



We at AIPHONE are proud of our products. Our designers and engineers strive to bring you the finest in communication equipment. Each item has been carefully tested and inspected before leaving our factory. Properly installed and used, your Aiphone intercom system should give years of trouble-free service.

We are pleased to offer the following warranty:

WARRANTY

Aiphone warrants its products to be free from defects of material and workmanship under normal use and service for a period of one year after delivery to the ultimate user and will repair free of charge or replace at no charge, should it become defective upon which examination shall disclose to be defective and under warranty. Aiphone reserves unto itself the sole right to make the final decision whether there is a defect in materials and/or workmanship; and whether or not the product is within the warranty.

This warranty shall not apply to any Aiphone product which has been subject to misuse, neglect, accident, or to use in violation of instructions furnished, nor extended to units which have been repaired or altered outside of the factory.

This warranty does not cover batteries or damage caused by batteries used in connection with the product.

This warranty covers bench repairs only, and any repairs must be made at the shop or place designated in writing by Aiphone. Aiphone will not be responsible for any costs incurred involving on site service calls.

Aiphone Co., Ltd., Nagoya, Japan
Aiphone Corporation, Bellevue, Washington

PS-12C-I(E) 0990M

INTERCOM SYSTEMS
AIPHONE
HOME, BUSINESS, INDUSTRY

Printed in Japan (E)

Free Manuals Download Website

<http://myh66.com>

<http://usermanuals.us>

<http://www.somanuals.com>

<http://www.4manuals.cc>

<http://www.manual-lib.com>

<http://www.404manual.com>

<http://www.luxmanual.com>

<http://aubethermostatmanual.com>

Golf course search by state

<http://golfingnear.com>

Email search by domain

<http://emailbydomain.com>

Auto manuals search

<http://auto.somanuals.com>

TV manuals search

<http://tv.somanuals.com>