

SBX-1G

Stainless Steel Surface Mount Box

-INSTRUCTIONS-

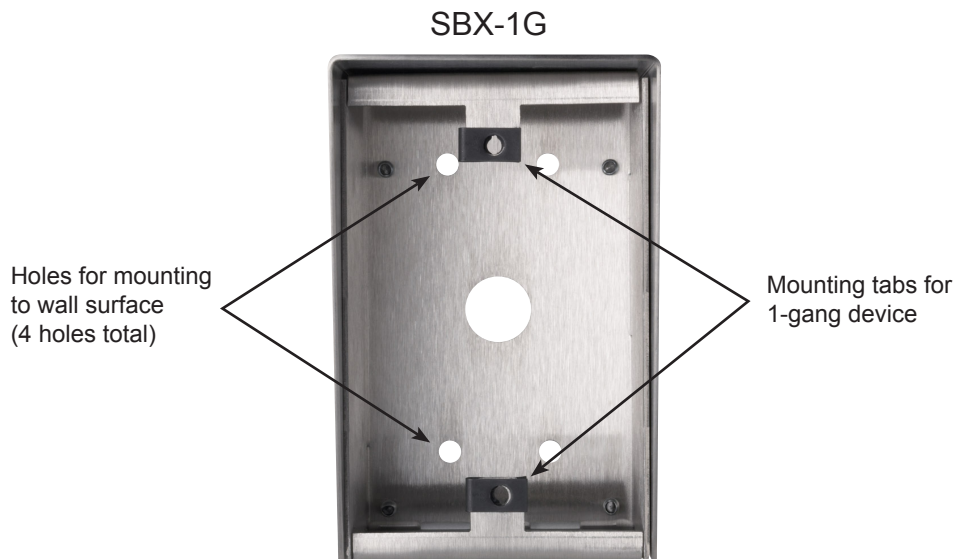
The SBX-1G is a surface mount stainless steel enclosure designed for mounting the LE-SS-1G and NE-SS-1G subs. The enclosure is weather resistant and includes space inside for wiring.

MOUNTING:

1. Mount the SBX-1G to a wall surface.
2. Connect supplied speed nuts to the the mounting ears.
3. Make wiring connections to device being installed.
4. Mount device to box using the screws provided.

PACKAGE CONTENTS:

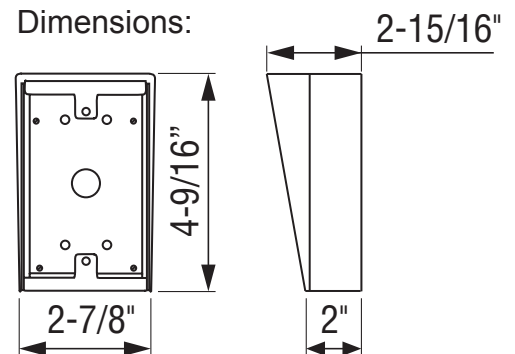
- SBX-1G unit
- Packet of screws (2)
- Speed nuts (2)
- T-15 Torx bit (1)
- Instructions



SPECIFICATIONS:

Mounting:	Surface mount directly to wall surface
Material:	16-Gauge Stainless Steel
Color:	Polished Stainless Steel
Mounting Hardware:	8x32 with T-15 Torx head
Dimensions (HxWxD):	4-9/16" x 2-7/8" x 2-15/16" (top); 2" (bottom)
Interior depth:	1-13/16"

Dimensions:



Free Manuals Download Website

<http://myh66.com>

<http://usermanuals.us>

<http://www.somanuals.com>

<http://www.4manuals.cc>

<http://www.manual-lib.com>

<http://www.404manual.com>

<http://www.luxmanual.com>

<http://aubethermostatmanual.com>

Golf course search by state

<http://golfingnear.com>

Email search by domain

<http://emailbydomain.com>

Auto manuals search

<http://auto.somanuals.com>

TV manuals search

<http://tv.somanuals.com>