

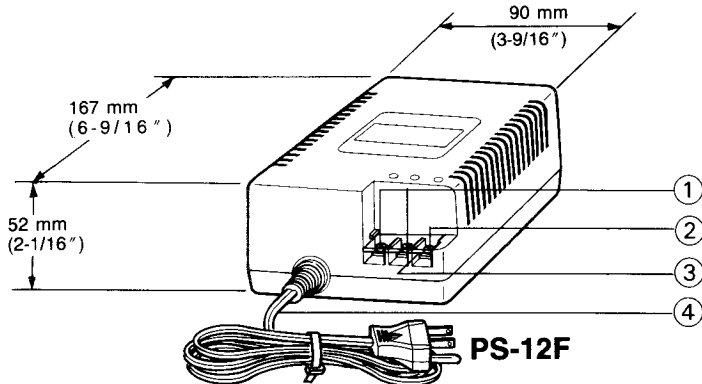
POWER SUPPLY ADAPTOR

Model;
PS-12F

 (AC 120V, 50/60 Hz.,
UL/CSA approved)

INSTRUCTIONS

1 NAMES AND FUNCTIONS



This symbol on the nameplate means the product is Listed by Underwriters Laboratories Inc.

2 FEATURES

- * PS-12F is a power supply for Aiphone's intercom system, etc.
- * Mounts onto single-gang box (mounting bracket is included).

3 RATINGS

- * Input voltage: PS-12F: AC 120 V, 50/60 Hz. UL/CSA APPROVED.
- * Power consumption: 42 W.
- * Output voltage: DC 12 V.
- * Rated output current: 2.5 A.

4 INSTALLATION

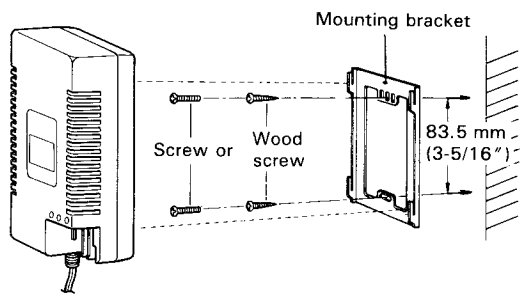
1. Before wiring on PS-12F, check if power supply line of the intercom system installed is not shorted. PS-12F has DC plus and minus output terminals. Observe polarity. Attach grounding wire to GND terminal. After wiring, attach terminal cover on PS-12F.
2. Always refer to the Instructions supplied with the intercom system you are installing.
3. While being used, the unit case will get warmed, but this is not a unit disorder.

5 CAUTION

- * To prevent fire or shock hazard, do not expose this appliance to rain or moisture.
- * *Afin d'empêcher un électrochoc, ne pas enlever le couvercle. Les réparations ne devront être faites que par des personnes qualifiées.*
- * No user-serviceable parts inside. Refer servicing to qualified service personnel.
- * *Cet appareil ne devrait pas être exposé à la pluie ou à l'humidité, pour empêcher la possibilité de feu ou choc.*

Power supply should be located in an area which facilitates ease of ventilation, on wall or rack, etc.

- (1) For wall mounting:
Attach the mounting bracket to single-gang box or wall with the supplied screws.
- (2) In case the power supply be located on equipment rack, it is recommended that first the mounting bracket be attached on rack and then the power supply be hooked up onto the bracket so that it would not move or fall down.



WARRANTY

Aiphone warrants its products to be free from defects of material and workmanship under normal use and service for a period of one year after delivery to the ultimate user and will repair free of charge or replace at no charge, should it become defective upon which examination shall disclose to be defective and under warranty. Aiphone reserves unto itself the sole right to make the final decision whether there is a defect in materials and/or workmanship; and whether or not the product is within the warranty. This warranty shall not apply to any Aiphone product which has been subject to misuse, neglect, accident, or to use in violation of instructions furnished, nor extended to units which have been repaired or altered outside of the factory. This warranty does not cover batteries or damage caused by batteries used in connection with the product. This warranty covers bench repairs only, and any repairs must be made at the shop or place designated in writing by Aiphone. Aiphone will not be responsible for any costs incurred involving on site service calls.

Free Manuals Download Website

<http://myh66.com>

<http://usermanuals.us>

<http://www.somanuals.com>

<http://www.4manuals.cc>

<http://www.manual-lib.com>

<http://www.404manual.com>

<http://www.luxmanual.com>

<http://aubethermostatmanual.com>

Golf course search by state

<http://golfingnear.com>

Email search by domain

<http://emailbydomain.com>

Auto manuals search

<http://auto.somanuals.com>

TV manuals search

<http://tv.somanuals.com>