

NE-NVP-RA

Vandal Proof Sub Station with Dual Master NEM System

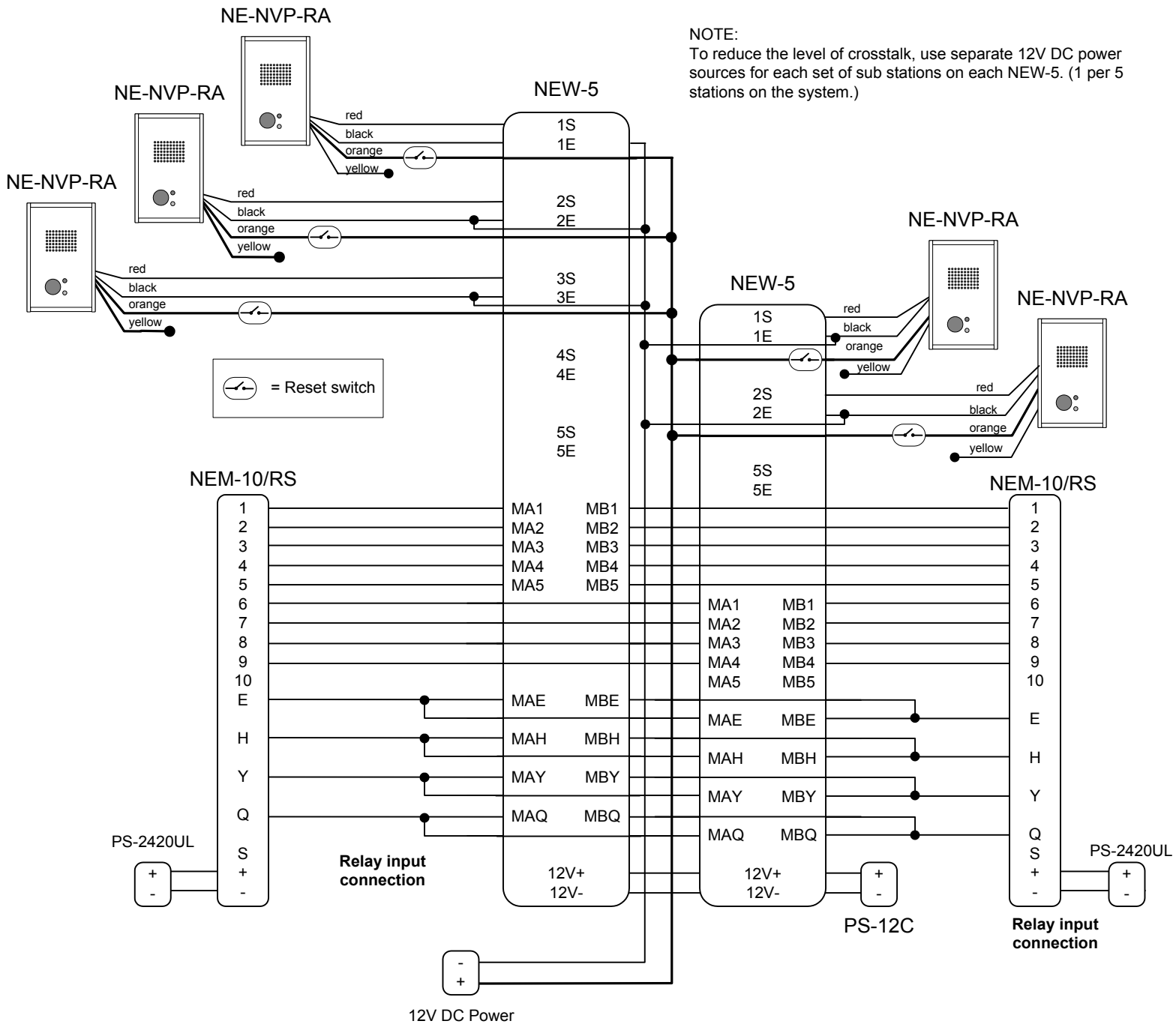
Requires surface mount box
SBX-NVP

ADA
Americans with
Disabilities Act

- INSTRUCTIONS -

WIRING DIAGRAM:

DUAL MASTER SYSTEM USING NEW-5 ADAPTORS AND NEM-nRS MASTER STATIONS



OPERATION:

1. When a sub station places a call, the "Call Placed" (Red) LED on the sub station light.
2. When a call is answered, the red "Call Placed" LED on the sub turns off, and the green "Help Coming" LED turns on.
3. When the master station's RESET button is pressed, the green "Help Coming" LED's will go off on any sub station that has been answered since the last time the Reset button has been pressed.
4. If overhead lamps are installed in the system, they will light in the same way that the LED's light, as described above.

BRILLE SIGNAGE:

The NE-NVP-RA is equipped with Braille signage for the visually impaired.

ON TOP OF UNIT:

EMERGENCY

"EMERGENCY - CALL FOR HELP"

ON BOTTOM OF UNIT:

"PUSH BUTTON. TONE INDICATES CALL PLACED"

Plating material is .012" aluminum with 5 letter spacing.

SPECIFICATIONS:

Power Source:	Supplied by master station
Speaker:	20 ohms, 3" diameter, water proof and puncture resistant, 2.5 oz. ceramic magnet
Call Button:	Single pole, single throw (SPST), normally open (N/O)
Faceplate:	11 gauge carbon steel with powder-coated white baked epoxy finish
Call Annunciation:	Pressing call button at sub latches call at NEM master until answered
Communication:	Hands free at sub. Master is push-to-talk or VOX handset
Mounting Hardware:	Tamper proof screws
Terminations:	Color-coded prewired pigtails
Wiring:	With remote reset switch: 4-conductor homerun from each sub, or 3 common wires plus 1 individual wire per sub station, looped. With NEM-RS master: 4-conductor homerun from each sub, or 3 common wires plus 1 individual wire per sub station, looped. Shielded wire is recommended. Use Aiphone #822206 for homerun wiring, #822210 for up to 6 stations on each run, or #822220 for up to 17 stations on each run.
Wiring Distance:	420' with 22AWG; 1,000' with 18AWG.
Dimensions (H x W x D):	NE-NVP-RA alone: 7-1/2" x 5-1/2" x 2". With SBX-NVP: 8-5/8" x 6-5/8" x 2-1/4"

Aiphone Communication Systems
1700 130th Ave. N.E.
Bellevue, WA 98005
(425) 455-0510
FAX (425) 455-0071

TOLL FREE TECHNICAL SUPPORT:

(800) 692-0200

TOLL FREE FAX LINE:

(800) 832-3765

TECHNICAL SUPPORT E-MAIL:

tech-serv@aiphone.com

Pg. 2
NE-NVP-RA Dual
Master Instr.
0703bkjs

Free Manuals Download Website

<http://myh66.com>

<http://usermanuals.us>

<http://www.somanuals.com>

<http://www.4manuals.cc>

<http://www.manual-lib.com>

<http://www.404manual.com>

<http://www.luxmanual.com>

<http://aubethermostatmanual.com>

Golf course search by state

<http://golfingnear.com>

Email search by domain

<http://emailbydomain.com>

Auto manuals search

<http://auto.somanuals.com>

TV manuals search

<http://tv.somanuals.com>