

LDC-S/A DOOR COM SET

Door Chime & Answering, All Call Communication System

LDC-1C/A

ACC-3/A

- INSTRUCTIONS -

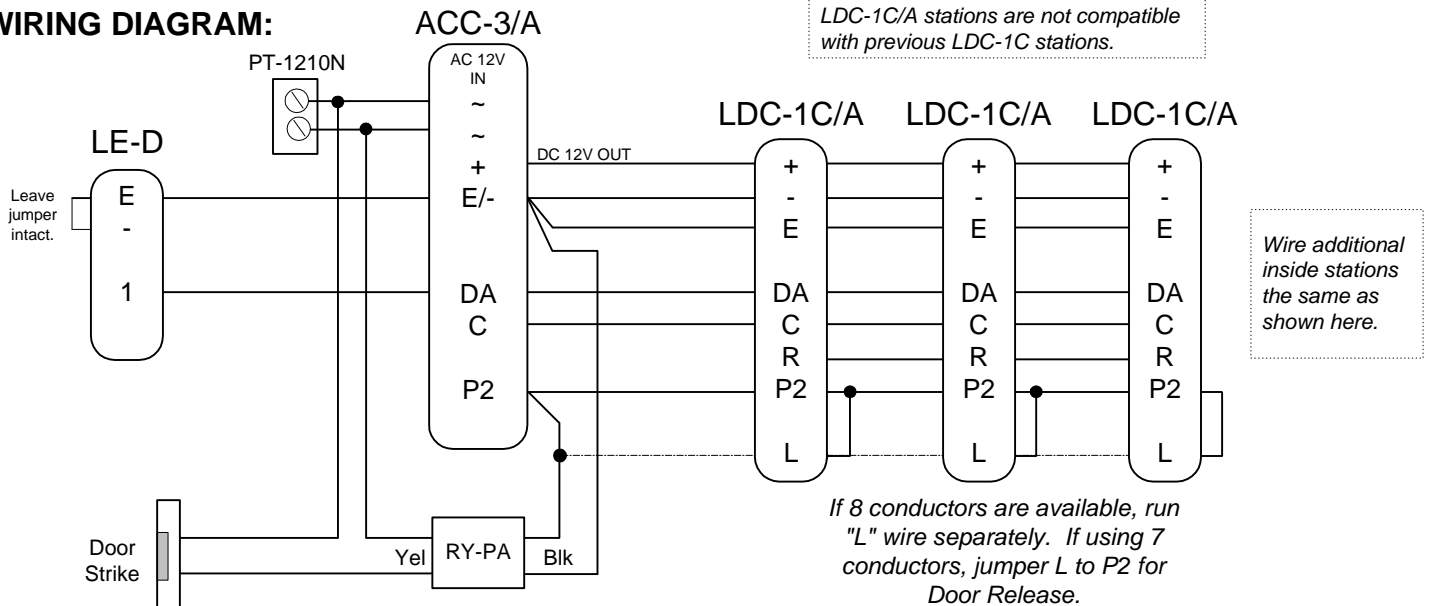
The Door Com system (LDC) is a simple open voice door answering and internal All Call intercom system. A 2-stroke chime is heard when the door station button is pressed, and can be answered from any inside station by pressing the door "Talk" button. An internal "All Call" announcement can be made from any inside station by holding down the "All Call" button. The chime tone can be turned off or adjusted to three volume levels. The All Call can be muted at any station. Door release can also be included.

Up to 6 inside stations can be included in one system.

IMPORTANT:

LDC-1C/A stations are not compatible with previous LDC-1C stations.

WIRING DIAGRAM:



Wire additional inside stations the same as shown here.

If 8 conductors are available, run "L" wire separately. If using 7 conductors, jumper L to P2 for Door Release.

LDC-S: DOOR COM SET, includes 3 LDC-1C/A Inside Stations, 1 LE-D Door Station, 1 ACC-3/A Adaptor, and 1 PT-1210N Transformer.

Individual Components for Door Com System:

LDC-1C/A: Inside station for door answering, All Call, and door release. Includes chime volume control, voice volume control, and All Call mute button.

LE-D: Surface mount door station, weather resistant. Flush mount LE-DA with stainless steel cover may be used in place of LE-D. Brass and Antique brass covers are available for the LE-DA.

ACC-3/A: All Call Chime Adaptor, with 3W of output and capable of controlling up to 6 inside stations.

PT-1210N: 12V AC Transformer, 830mA, plug-in style

RY-PA: 12V DC Relay, 1A, "Normally Open" contacts, required for door release

EL-9S: Electric Door Strike, 12V AC, 300mA

MOUNTING:

LE-D: Surface mount to 1-gang box or ring.

LDC-1C/A: Flush mount with BBX-1E rough-in box, or cut hole in wall 6-1/8" H x 3-3/4" W.

ACC-3/A: Surface mount to 1-gang box or ring. Locate near transformer (out of sight).

LDC-1C TERMINAL DEFINITIONS:

+ Positive 12V DC
- Negative
E Common Communication
DA Door Answering and Communication
C Chime and All Call Receive
R Occupied Circuit
P2 All Call Transmit
L Door release Activation (jumper to P2)

OPERATIONS:

Call-in from Door Station:

1. Press the call button on door station. The inside stations will ring a 2-stroke chime.
2. When a person answers from inside, speak toward door station hands free.

Inside Station:

1. When the chime is heard, press the "Talk" button on any station. Release to listen to reply. The "In Use" light will be on at all inside stations when any station is talking to the door.
2. When finished, press "Reset". The "In Use" light will go out, and the system will be in the "standby" mode.
3. To communicate through all inside stations, press the "All Call" button and hold down while speaking. All other stations in the system will hear the announcement. There is no hands free response to an All Call.
4. If a person at another station wishes to respond, press and hold the "All Call" button while speaking.
5. Internal communication (All Call) can be muted at any inside station at any time by pressing the "Mute" button. While the LED light above the "Mute" button is on, the station will not receive an All Call announcement.
6. The "Voice Volume" adjusts the volume for door station and All Call communication. Adjust to the right to increase volume.
7. Door chime volume can be adjusted at any inside station to 3 volume levels, plus off. Slide the switch in the lower left hand corner to adjust.
8. The master volume control for the system is located in the ACC-3/A adaptor, and adjusts the Chime and All Call volumes. Turn clockwise to increase volume.
9. An electric door release can be activated from any inside station by pressing the "door release" button, marked with a key. Press momentarily to activate.

SPECIFICATIONS:

Power Source:	12V AC. Use Aiphone PT-1210N.
Power Consumption:	Max. 300mA per station
Power Output:	800mW at 20 ohms (transmission) 500mW at 20 ohms (reception)
Calling:	2-stroke Chime tone from door station (through ACC-3/A)
Comm. to Door:	Press "Talk" button. To Inside Stations: Press All Call button.
Wiring:	2 conductors from door to ACC-3/A. Use Aiphone #822202 or #821802. 8 conductors from ACC-3/A to LDC-1C/A room stations (looped or homerun). Use Aiphone #822210.
Wiring Distance:	650' with 22AWG. 1600' with 18AWG.
Door Release Contact:	Up to 110V AC, 1A or up to 24V DC, 1A on output of RY-PA relay.
Dimensions:	(H x W x D) ACC-3/A: 6-5/16" x 5-15/16" x 1-3/4" LDC-1C/A: 8-1/4" x 6-1/8" x 1-3/8" LE-D: 4-3/4" x 3-7/16" x 1-1/8"

Aiphone Communication Systems
1700 130th Ave. N.E.
Bellevue, WA 98005
(425) 455-0510
FAX (425) 455-0071

TOLL FREE TECHNICAL SUPPORT:

(800) 692-0200
TOLL FREE FAX LINE:
(800) 832-3765
E-MAIL: tech-serv@aiphone.com

Pg. 2
LDC/A Instr.
0300bkjd

Free Manuals Download Website

<http://myh66.com>

<http://usermanuals.us>

<http://www.somanuals.com>

<http://www.4manuals.cc>

<http://www.manual-lib.com>

<http://www.404manual.com>

<http://www.luxmanual.com>

<http://aubethermostatmanual.com>

Golf course search by state

<http://golfingnear.com>

Email search by domain

<http://emailbydomain.com>

Auto manuals search

<http://auto.somanuals.com>

TV manuals search

<http://tv.somanuals.com>