

NE-SS/A, NE-SSR

Vandal and Weather Resistant Sub Stations

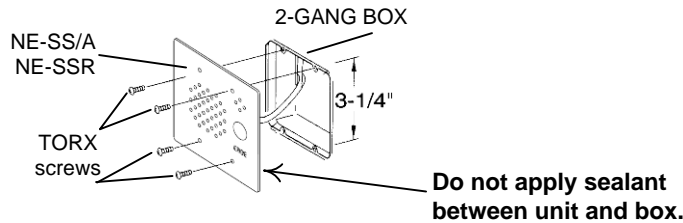
- INSTRUCTIONS -

The NE-SS/A and NE-SSR are 2-gang vandal proof and weather resistant sub stations designed for use with the NEM, NDR and NDRM systems. They are constructed of 12 gauge stainless steel and are equipped with an option for an external output contact closure when the sub station places a call (relay required). The units either flush mount into a 2-gang box, or surface mount with the SBX-2G. Each unit includes tamper proof screws and a tool for installation. The NE-SSR features a red mushroom call button.

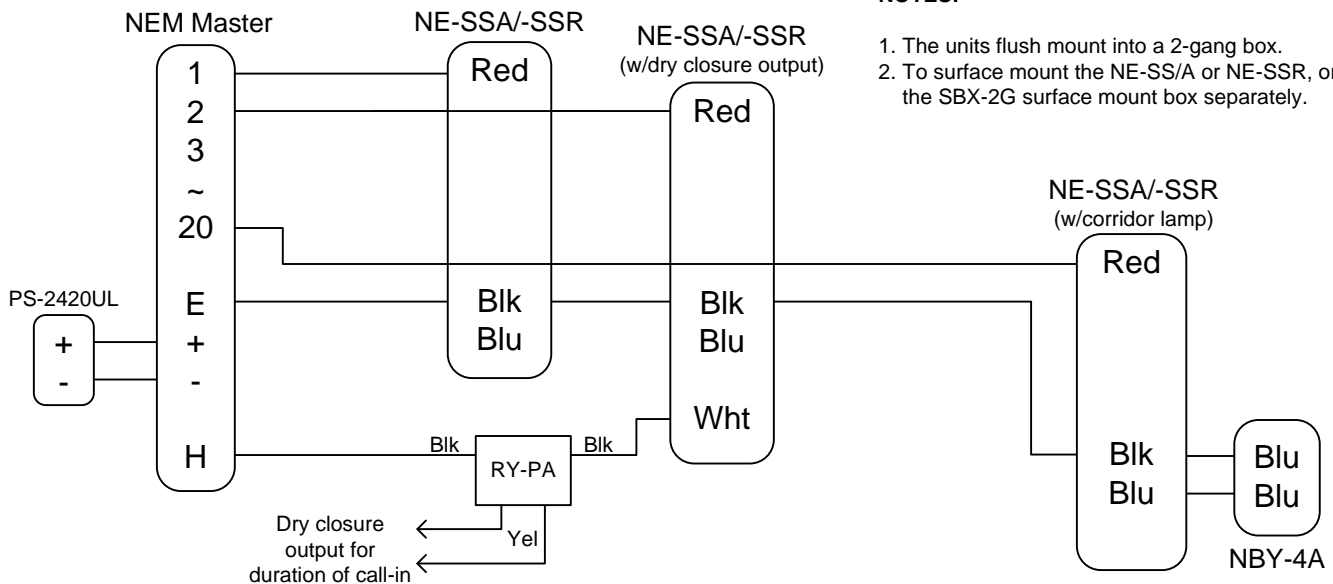
INSTALLATION:

1. For flush mounting, install sub station in standard 2-gang electrical box with min. 2-1/2" depth.
2. For surface mounting, install sub station in the SBX-2G surface mount enclosure.
3. **IMPORTANT!** These units are designed for use in normal weather conditions, and to allow drainage and evaporation of moisture that naturally gets into the unit. **Do not apply caulking or silicone sealant around the unit when installing, and do not use weather stripping around the perimeter of the box when mounting.** If sealing the unit is required, the bottom must remain unsealed. Sealing the unit will prevent or inhibit moisture from dissipating from inside the unit, which may cause corrosion or deterioration to the internal components over time.

MOUNTING:



WIRING DIAGRAM:



NOTES:

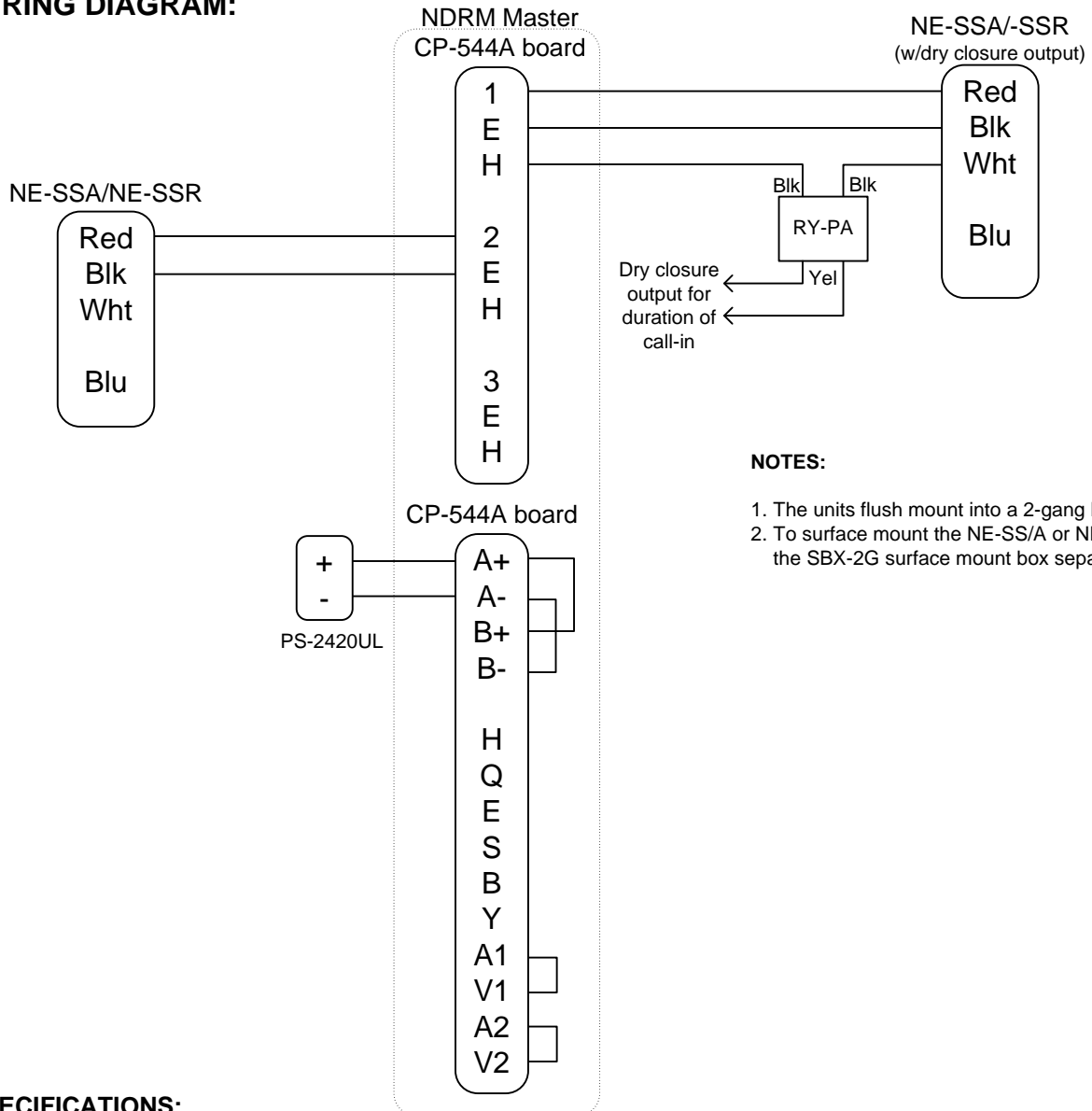
1. The units flush mount into a 2-gang box.
2. To surface mount the NE-SS/A or NE-SSR, order the SBX-2G surface mount box separately.

WIRE DESIGNATIONS:

Red: + side of speaker. Connect to station number on master station.
 Blue: Trigger for corridor lamp. 7V DC when call-in signal is activated.
 Black: - side of speaker, Common. Connect to E on master station.
 White: Negative trigger wire for extra relay contact closure at sub during call.

Small wht & blk: Speaker connection to PCB
 Small brn (x2): Call button connection to PCB

WIRING DIAGRAM:



NOTES:

1. The units flush mount into a 2-gang box.
2. To surface mount the NE-SS/A or NE-SSR, order the SBX-2G surface mount box separately.

SPECIFICATIONS:

Power Source:	Supplied by master station
Speaker:	20 ohms, 2.5" diameter, water proof and puncture resistant, 2.4 oz. magnet
Call Button:	SPST call button, momentary activation NE-SSR: Limited stop, red mushroom button.
Call Annunciation:	Pressing the call button at sub activates and latches call at NEM master. The master station's LED will be lit and a ringing tone will be heard until the call is answered.
Communication:	Hands free at sub. Master is push-to-talk or VOX with handset.
Faceplate:	12 gauge stainless steel
Mounting:	Flush mount into a 2-gang box. Surface mount into SBX-2G, sold separately. Tamper proof screws included (6x32 for use with flush gang box) with T-10 TORX bit. Use hardware included with SBX-2G when installing sub into that unit.
Terminations:	Color-coded prewired pigtails
Operating Temperature:	Flush Switch rating: 14°F to 158°F; Mushroom Switch rating: -22°F to 185°F Speaker rating: -67°F to 187°F
Wiring:	2 conductors homerun; or 1 common plus 1 individual per sub, looped through each sub. Shielded cable is recommended. Use Aiphone #822202 or #821802 for homerun wiring, #822206 for up to 5 stations on each run, or #822210 for up to 9 stations on each run.
Wiring Distance:	420' with 22AWG; 1,000' with 18AWG
Dimensions (HxWxD):	NE-SSA/SSR alone: 4-11/16" x 4-11/16" x 2" With SBX-2G: 4-3/4" x 4-7/8" x 3-5/8" (Top) 2-3/8" (Bottom)

Aiphone Communication Systems
1700 130th Ave. N.E.
Bellevue, WA 98005
(425) 455-0510
FAX (425) 455-0071

Toll Free Technical Support:

1-800-692-0200

E-mail tech@aiphone.com

Download from www.Somanuals.com. All Manuals Search And Download.

NE-SSA/SSR Instr.
1211JD

Free Manuals Download Website

<http://myh66.com>

<http://usermanuals.us>

<http://www.somanuals.com>

<http://www.4manuals.cc>

<http://www.manual-lib.com>

<http://www.404manual.com>

<http://www.luxmanual.com>

<http://aubethermostatmanual.com>

Golf course search by state

<http://golfingnear.com>

Email search by domain

<http://emailbydomain.com>

Auto manuals search

<http://auto.somanuals.com>

TV manuals search

<http://tv.somanuals.com>