

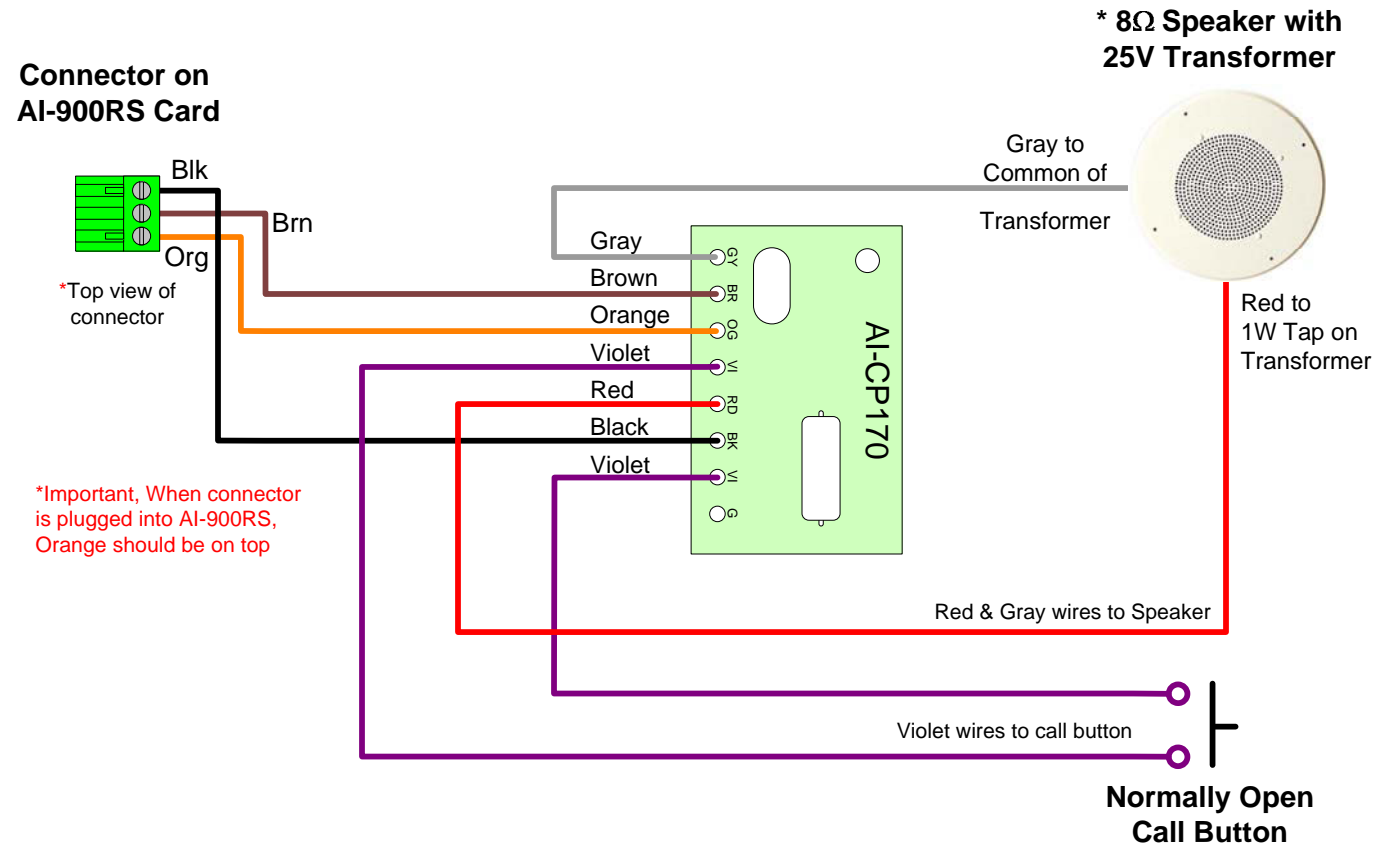
AI-CP170

Interface Board for Non-Aiphone Speaker and Call Button with AI-900 System

- INSTRUCTIONS -

The AI-CP170 Interface board provides the necessary interface for any standard speaker with a 25V transformer and a Normally Open call button to be used as a remote station on the AI-900 system. Simple wire connections are provided for easy connection. Install the small circuit board behind the remote speaker or call button. Made for indoor use only.

WIRING DIAGRAM:



* For best acoustics, speaker must be located in the center of the room, mounted in the ceiling

SPECIFICATIONS:

Power Source:	Supplied by Main Frame (AI-900MF)
Speaker:	Use standard 8 ohm speaker with 25V transformer
Call Button:	Normally open momentary contact
Mounting:	Conceal behind speaker or call button
Terminations:	Color-coded prewired pigtails
Wiring:	3 conductor shielded, homerun from Main Frame to each speaker/call button
Wiring Distance:	2,625' w/ 22AWG, 4,265' w/ 18AWG
Dimensions (HxWxD):	1-3/8" x 15/16" x 1/2"

Free Manuals Download Website

<http://myh66.com>

<http://usermanuals.us>

<http://www.somanuals.com>

<http://www.4manuals.cc>

<http://www.manual-lib.com>

<http://www.404manual.com>

<http://www.luxmanual.com>

<http://aubethermostatmanual.com>

Golf course search by state

<http://golfingnear.com>

Email search by domain

<http://emailbydomain.com>

Auto manuals search

<http://auto.somanuals.com>

TV manuals search

<http://tv.somanuals.com>