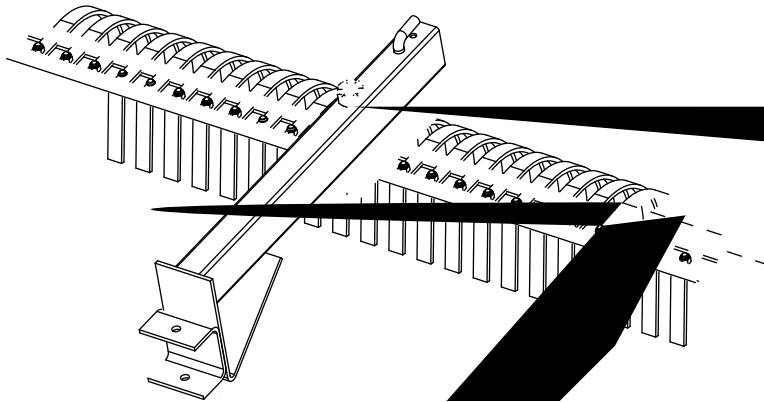


Owner's Manual

CRAFTSMAN®

48" SLEEVE HITCH ROCK RAKE

Model No. 486.24537



CAUTION:

Before using this product, read this manual and follow all Safety Rules and Operating Instructions.

- Safety
- Assembly
- Operation
- Maintenance
- Parts

IMPORTANT - READ THIS FIRST!!!

For Missing Parts or Assembly Questions
Please Call 866-576-8388
Mon.-Fri. 7 am - 5 pm CST.
FAX 217-728-2032 or e-mail info@agri-fab.com
Missing parts will be sent UPS in 24 hours directly to your home.

Sears, Roebuck and Co., Hoffman Estates, IL 60179 U.S.A.
www.sears.com/craftsman

PRINTED IN U.S.A.

FORM NO. 49526 (2/05)

TABLE OF CONTENTS

SAFETY RULES.....	2	MAINTENANCE/STORAGE	6
FULL SIZE HARDWARE CHART.....	3	REPAIR PARTS ILLUSTRATION.....	7
CARTON CONTENTS.....	3	REPAIR PARTS LIST	7
ASSEMBLY.....	4	PARTS ORDERING/SERVICE	Back Page
OPERATION.....	5		

WARRANTY

LIMITED ONE YEAR WARRANTY

For one year from the date of purchase, when this product is maintained and lubricated according to the operating and maintenance instructions in the owner's manual, Sears will repair any defect in material or workmanship free of charge. If this product is used for commercial or rental purposes, this warranty applies for only 90 days from the date of purchase.

This warranty does not cover repairs necessary because of operator negligence or abuse, including the failure to maintain the equipment according to instructions contained in the owner's manual.

WARRANTY SERVICE IS AVAILABLE BY CONTACTING THE NEAREST SEARS SERVICE CENTER/DEPARTMENT IN THE UNITED STATES.

This warranty applies only while this product is in the United States.

This warranty gives you specific legal rights, and you may also have other rights which vary from state to state. Sears, Roebuck and Co. D/817 WA. Hoffman Estates, Chicago, IL 60179

The model number and serial numbers will be found on a decal attached to the hitch assembly.

You should record both the serial number and the date of purchase and keep in a safe place for future reference.

MODEL NUMBER: 486.24537

SERIAL NUMBER: _____

DATE OF PURCHASE: _____



SAFETY



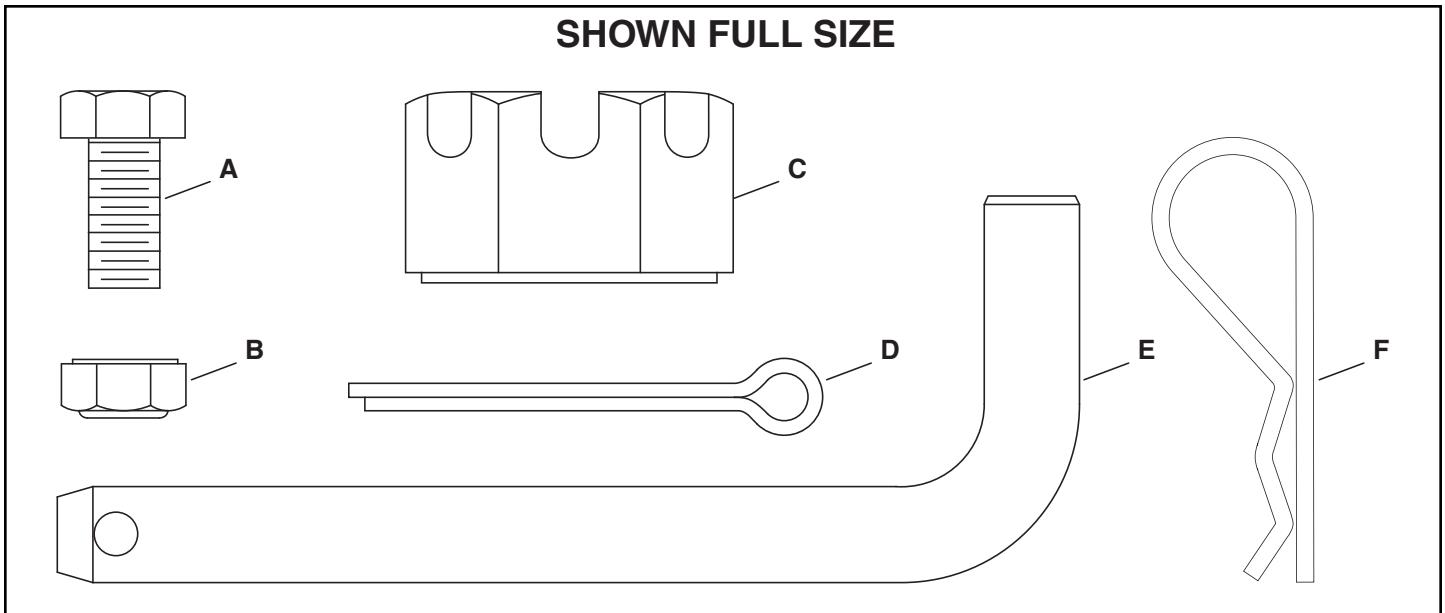
Any power equipment can cause injury if operated improperly or if the user does not understand how to operate the equipment. Exercise caution at all times, when using power equipment.

- Read this owners manual and your vehicle and sleeve hitch owners manuals before using this rake.
- Do not allow children to operate the vehicle or rake.
- Do not allow adults to operate the vehicle or rake without proper instructions.
- Do not allow anyone to ride on the rake.
- Before lowering and operating the rake, be sure no one is near the area of operation.
- Lower the rake when leaving the vehicle unattended.
- Vehicle braking and stability may be affected with the attachment of this rake. Drive slowly with the rake in transport position. **Stay off of steep slopes.**
- Stop and inspect for damage after striking an object. Repair any damage before continuing operation.
- Keep all nuts and bolts tight and be sure the equipment is in safe operating condition.
- Always place the sleeve hitch in the lowered position when installing or removing the rake.



Look for this symbol to point out important safety precautions. It means--**Attention!! Become alert!! Your safety is involved.**

HARDWARE PACKAGE CONTENTS



REF.	QTY.	DESCRIPTION	REF.	QTY.	DESCRIPTION
A	24	Hex Bolt, 3/8" x 1"	D	1	Haircotter Pin
B	24	Nylock Hex Nut, 3/8"	E	1	Pivot Pin
C	1	Slotted Hex Nut, 1"	F	1	Cotter Pin



CARTON CONTENTS

1. Hitch Assembly
2. Rake Pivot Assembly
3. Rake Tines (24)

TOOLS REQUIRED

- (2) 9/16" W
- (2) 1-1/2" W

REMOVAL OF

- Remove all parts from the carton. Lay out

ASSEMBLING THE

- Attach the 24 rails using a 3/8" x 1" each tine. Insert the slots in the rear of all nuts and bolts a



FIGURE

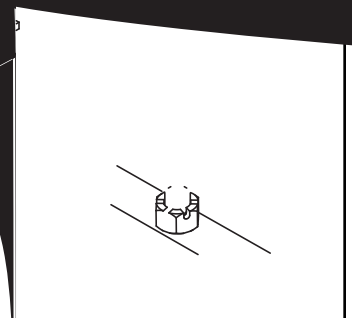
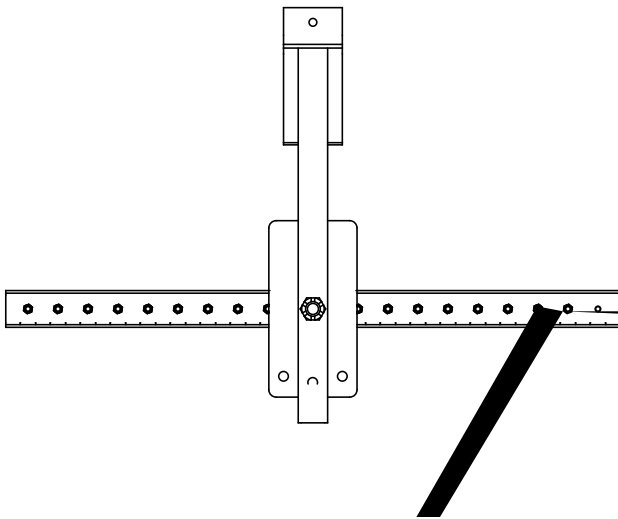


FIGURE 3

ADJUSTING ANGLE OF RAKE

- The rake can be angled 24 degrees in either direction as shown in figure 6. To change the angle:
 - Raise the rake so that the tines of the rake are off the ground.
 - Remove the pivot pin from the hitch assembly.
 - Pivot the rake assembly to the right or the left.
 - Align the hole in the pivot plate with the hole in the hitch assembly. Install the pivot pin through the aligned holes and secure with the haircotter pin.
- To reverse the rake, remove the cotter pin and slotted nut from the threaded stud on the rake assembly. Remove the rake pivot assembly from the hitch assembly, rotate it 180 degrees and then reattach it to the hitch assembly.



HOW TO USE YOUR RAKE

Use this rake for scraping and leveling of loose or lightly compacted dirt and gravel, and for back filling. For improved traction, use wheel weights and/or tire chains.

- Before starting, make sure the material to be graded, such as dirt, is dry enough. Squeeze some in your hand and if it forms a ball that does not crumble, the material may be too wet for raking.
- Drive the tractor at a speed which fits conditions and the type of work being performed. When leveling with the rake, a slower speed will allow loose material to be more evenly deposited in low spots.
- For light back filling work, the rake assembly can be reversed by rotating it 180 degrees. This allows you to back up with your tractor and push dirt to fill larger holes.
- Do not back the rake into piles of dirt or gravel at high speed.

MAINTENANCE/STORAGE

CUSTOMER RESPONSIBILITIES

- Read and follow the maintenance schedule and the maintenance procedures listed in this section.

MAINTENANCE SCHEDULE Fill in dates as you complete regular service.	Service Dates												
	Before each use	After each use	Every season	Before storage									
Check for loose fasteners	X												
Cleaning		X	X										

CHECK FOR LOOSE FASTENERS

- Before each use make a thorough visual check of the rake for any bolts and nuts which may have loosened. Retighten any loose bolts and nuts.

STORAGE

- Remove all dirt and rust and touch up with paint to help prevent rust.
- Store inside in a clean, dry area.

CLEANING

- Wipe off or wash off loose dirt from the rake after each use to help prevent rust.

PARTS

REPAIR PARTS FOR MODEL 486.24537 SLEEVE HITCH ROCK RAKE



REF. NO.	PART NO.	QTY.	DESCRIPTION				
1	65063	1	Hitch Assembly				
2	64780	1	Rake Pivot Assembly				
3	25165	24	Rake Tine				
4	48978	1	Pivot Pin				
5	HA21362	24	Hex Nut, 3/8-16 (Nylock)				

Get it fixed, at your home or ours!

For repair of major brand appliances **in your own home...**
no matter who made it, no matter who sold it!

1-800-4-MY-HOMESM Anytime, day or night
(1-800-469-4663)

www.sears.com

To bring in products such as vacuums, lawn equipment and electronics
for repair, call for the location of your nearest **Sears Parts & Repair Center.**

1-800-488-1222 Anytime, day or night

www.sears.com

For the replacement parts, accessories and owner's manuals
that you need to do-it-yourself, call **Sears PartsDirectSM**!

1-800-366-PART 6 a.m. – 11 p.m. CST,
(1-800-366-7278) 7 days a week

www.sears.com/partsdirect

To purchase or inquire about a Sears Service Agreement:

1-800-827-6655

7 a.m. – 5 p.m. CST, Mon. – Sat.

Para pedir servicio de reparación a domicilio,
y para ordenar piezas con entrega a domicilio:

1-888-SU-HOGARSM
(1-888-784-6427)

Au Canada pour service en français:

1-877-LE-FOYERSM
(1-877-533-6937)



Free Manuals Download Website

<http://myh66.com>

<http://usermanuals.us>

<http://www.somanuals.com>

<http://www.4manuals.cc>

<http://www.manual-lib.com>

<http://www.404manual.com>

<http://www.luxmanual.com>

<http://aubethermostatmanual.com>

Golf course search by state

<http://golfingnear.com>

Email search by domain

<http://emailbydomain.com>

Auto manuals search

<http://auto.somanuals.com>

TV manuals search

<http://tv.somanuals.com>