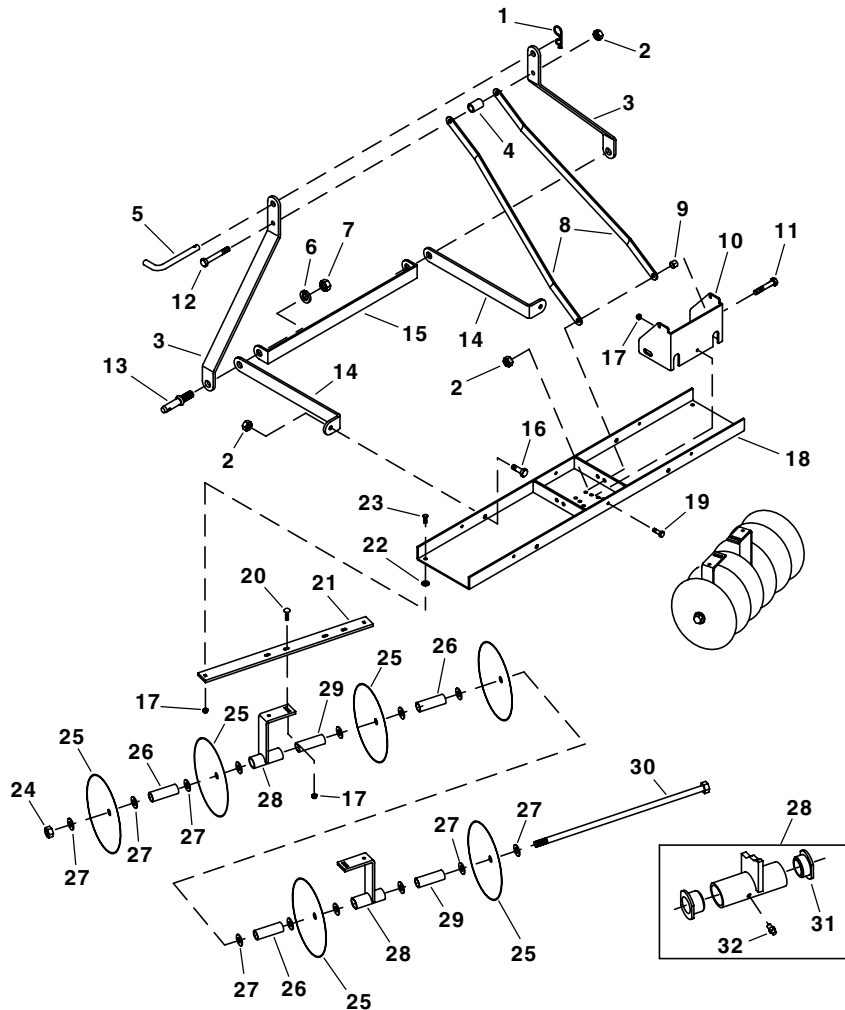


REPAIR PARTS FOR MODEL NO. 45-0356 3-POINT HITCH DISC CULTIVATOR



REF. NO.	PART NO.	QTY.	DESCRIPTION	REF. NO.	PART NO.	QTY.	DESCRIPTION
1	43343	1	Haircotter Pin, 1/8" x 2-3/8"	18	64781	1	Tray Frame
2	712-3083	5	Hex Nut, Nylock, 1/2"	19	43001	1	Hex Bolt, 3/8" x 1"
3	25158	2	Mast Side	20	710-0305	8	Carriage Bolt, 3/8" x 1-1/4"
4	25167	1	Spacer, .53" I.D. x .75" O.D. x 1.5" Lg.	21	25168	2	Disc Anchor Strap
5	48978	1	Pivot Pin	22	736-0247	4	Washer, .41" x 1.25" x .156"
6	48982	2	Lock Washer, 7/8"	23	43062	4	Hex Bolt, 3/8" x 1-1/2"
7	48970	2	Hex Nut, 7/8"	24	48911	2	Hex Nut, Nylock, 3/4"
8	25180	2	Mast Lift Strap	25	46856	12	Disc Blade
9	23368	2	Spacer, .76" I.D. x 1" O.D. x .75" Lg.	26	46859	6	Spacer, .80" I.D. x 1" O.D. x 4.25" Lg.
10	25194	1	Weight Rack	27	1540-162	24	Washer, .77" x 2" x .1345"
11	HA180183	2	Hex Bolt, 1/2" x 2-1/4"	28	63510	4	Bearing Hanger Bracket
12	46526	1	Hex Bolt, 1/2" x 3-1/2"	29	24240	4	Spacer, .80" I.D. x 1" O.D. x 4.50" Lg.
13	48979	2	Category 1 Pin	30	48966	2	Hex Bolt, 3/4" x 25" Lg.
14	25169	2	Mast Extension Strap	31	44488	8	Bearing (included in 63510)
15	25154	1	Cross Brace	32	46858	4	Grease Fitting (included in 63510)
16	43351	2	Hex Bolt, 1/2" x 1-1/4"	48974		1	Owners Manual (not shown)
17	HA21362	13	Hex Nut, Nylock, 3/8"				

Free Manuals Download Website

<http://myh66.com>

<http://usermanuals.us>

<http://www.somanuals.com>

<http://www.4manuals.cc>

<http://www.manual-lib.com>

<http://www.404manual.com>

<http://www.luxmanual.com>

<http://aubethermostatmanual.com>

Golf course search by state

<http://golfingnear.com>

Email search by domain

<http://emailbydomain.com>

Auto manuals search

<http://auto.somanuals.com>

TV manuals search

<http://tv.somanuals.com>