

ADDONICS TECHNOLOGIES

Model: RT5835HMEU

I. Installing drive into the RAID Tower V



Step 1

Use a Philips screwdriver to secure the 3.5" SATA hard drive to the drive tray

Step 2

Slide the tray into the Disk Array drive bay.

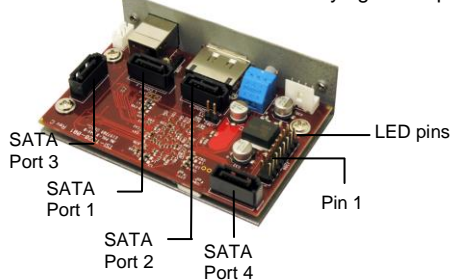
Note: It is recommended to fill up the RAID Tower V with SATA drives from right to left and top to bottom. This is to help in identifying which drives connect to which ports for easier

troubleshooting.

II. Connecting the power cable and RAID Tower V to the computer

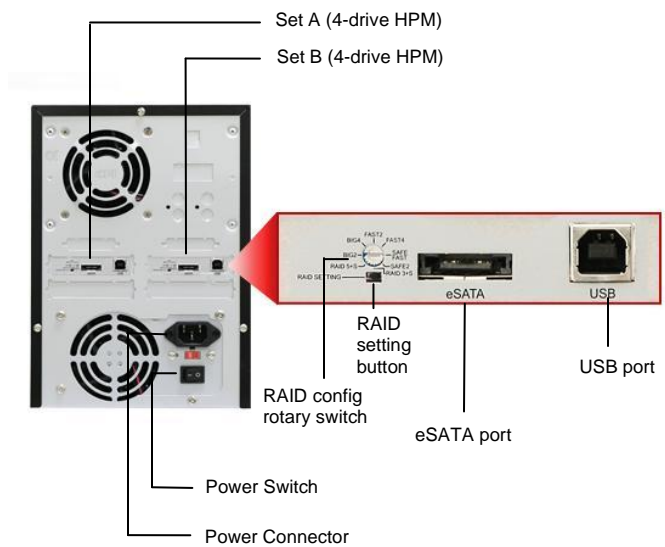
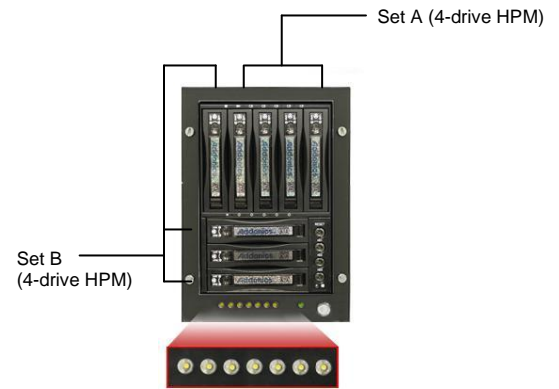
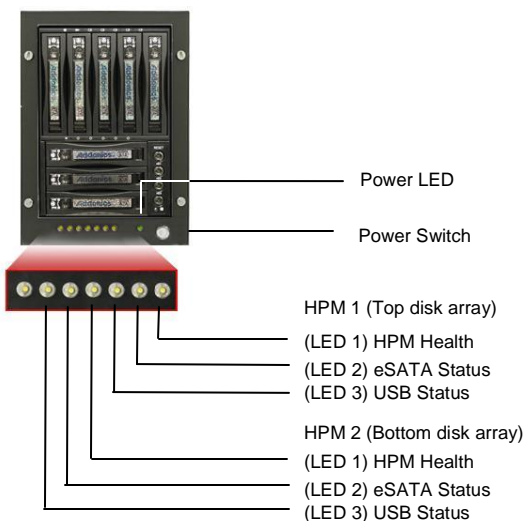
- Connect the power cord provided from the wall outlet to the back of the RAID Tower.
- Make sure the power is off (power LED light should be off).
- Connect either the provided USB or eSATA cable from the back of the RAID Tower to the computer. We recommend connecting the eSATA port for best performance if this port is available on your computer.

Photo identifying SATA ports on HPM



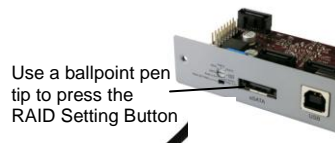
III. Power on/off control

Turn on the power to the RAID Tower Mini by pressing the power button on the front. The power LED light should lit indicating the power is on.



IV. Setting RAID on the HPM

- Attach the SATA hard drives (up to 4) to the SATA ports on the Hardware Port Multiplier (HPM) using SATA cables. It is recommended to connect drives to the SATA ports 1 to 4 successively.
- Set the Rotary switch to the RAID mode required.
- Push the RAID setting button with a ballpoint pen tip while the HPM is turned off.



- While holding the RAID setting button, turn on the HPM and SATA hard drives and continue to hold button for at least 5 seconds.

Note: The onboard LED's for the eSATA and USB will start blinking while holding down the raid setting button. Once the raid setting button is released, the PM Health LED will blink 4-6 times.

If the PM Health LED stops blinking, the raid set is set correctly. If the PM Health LED lights up as solid green, it is a bad setup. You need to repeat setting up the raid again.

ADDONICS TECHNOLOGIES

Model: RT5835HMEU

Instruction for Special RAID Modes:

BIG 2 - 2 Drives Spanned

- o **Note:** Do not connect more than 2 SATA drives to the hardware port multiplier. Doing so will hang the system when you configure the raid.
- o For SATA drives with different capacities, the hardware port multiplier will use the smallest drive capacity of the 2 drives connected to create the total partition size.

FAST 2 - 2 Drives Striped

- o **Note:** Do not connect more than 2 SATA drives to the hardware port multiplier. Doing so will hang the system when you configure the raid.

Verify RAID Setting on the HPM

Note: Disconnect the HPM from host when verifying the RAID setting.

It is assumed that you have already connected the SATA drives and set up the raid mode when verifying the raid setting.

1. Turn on the power for RAID tower mini.
2. Push the RAID setting button with the tool provided. Using the table below, verify if the LEDs are lighting up. The selected LEDs will light up for 2 seconds followed by a blink and cycles back.

RAID Mode	LEDs
BIG 2	LEDs 1, 2 & 3 all OFF
BIG 4	3 ON, 2 & 1 OFF
FAST 2	2 ON, 3 & 1 OFF
FAST 4	1 ON, 3 & 2 OFF
SAFE FAST	3 & 2 ON, 1 OFF
SAFE 2	3 & 1 ON, 2 OFF
RAID 5	2 & 1 ON, 3 OFF
RAID 5 + S	3, 2 & 1 all ON

LED reference:

LED 1 - HPM Health
LED 2 - eSATA Status
LED 3 - USB Status

TECHNICAL SUPPORT

Phone: 408-453-6212
Hours: 8:30 am - 6:00 pm PST
Email: <http://www.addonics.com/support/query/>

Free Manuals Download Website

<http://myh66.com>

<http://usermanuals.us>

<http://www.somanuals.com>

<http://www.4manuals.cc>

<http://www.manual-lib.com>

<http://www.404manual.com>

<http://www.luxmanual.com>

<http://aubethermostatmanual.com>

Golf course search by state

<http://golfingnear.com>

Email search by domain

<http://emailbydomain.com>

Auto manuals search

<http://auto.somanuals.com>

TV manuals search

<http://tv.somanuals.com>