

User Guide

Compact RAID (CPR5SA)

www.addonics.com

v5.1.11

Technical Support

If you need any assistance to get your unit functioning properly, please have your product information ready and contact Addonics Technical Support at:

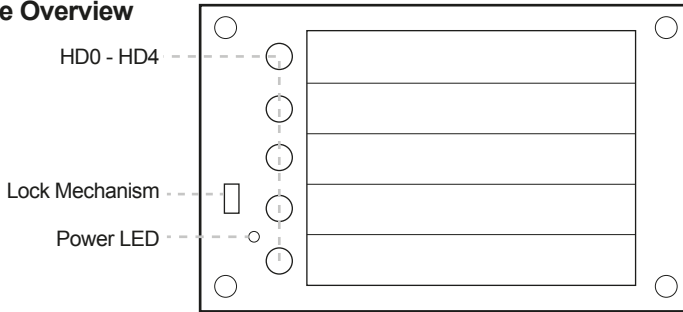
Hours: 8:30 am - 6:00 pm PST

Phone: 408-453-6212

Email: <http://www.addonics.com/support/query/>

Download from [Www.Somanuals.com](http://www.Somanuals.com). All Manuals Search And Download.

Enclosure Overview



HD0 – HD4 Button Functions:

- A. Push-Open Button
- Press button for each drive slot to open the front HDD panel.
 - If the locking mechanism is set to LOCK position, the button cannot be pressed. Put the locking mechanism to UNLOCK position to be able to press the push-open button and open the front HDD panel.
- B. Drive Activity LED

Power LED

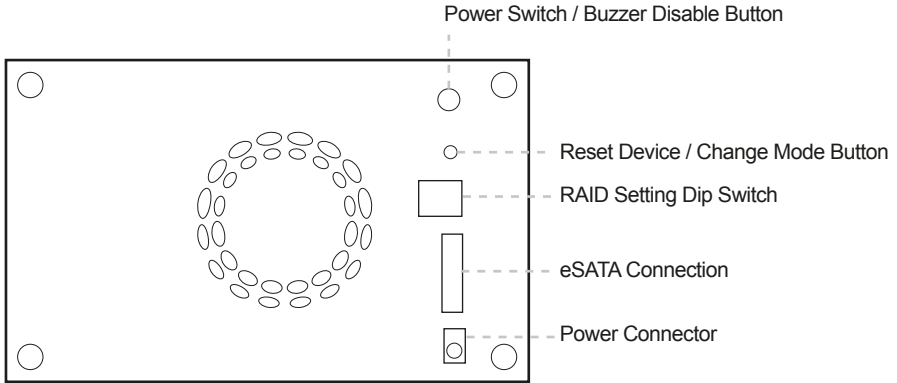
Action	Message	Color
Light On	Power starting	Blue
Light On	System is ready	Purple
Light Off	Power is OFF	No

Drive Activity LED

Light On	Hard drive installed	Blue
Light Off	Hard drive uninstalled	No
Light On	Hard drive fail	Red
Flash	Hard drive access	Blue

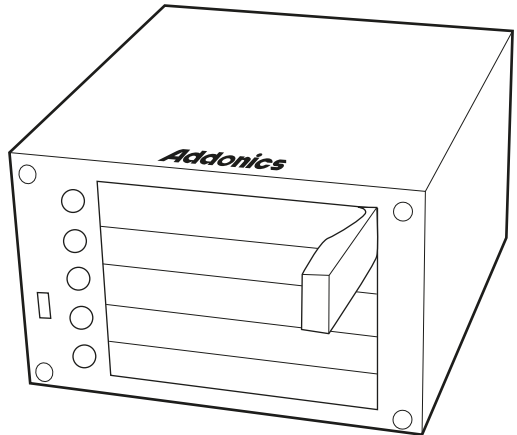
Power Switch

- A. Power switch / Buzzer disable button
- Buzzer disable: press button less than 2 seconds
 - Power switch: press button over 2 seconds
- B. Reset Device / Change Mode button
- Reset Device: press button less than 2 seconds
 - Change Mode: press button over 2 seconds



Installation Guide

1. To open the front panel, press the push-open button.
2. Slide the 2.5" SATA hard drive into the slot. Push back the front panel.



Two Options for Setting RAID on the Compact RAID Box (only select one option)

I. Using the JMicron HW RAID Manager utility program

For Windows users, install the JMicron HW RAID Manager located on the SATA Controller CD. In the CD, go to RAID utilities > JMB393. This manager can be used to create and monitor the status of the RAID volume.

Use the RESERVE DIP switch setting when using the JMicron HW RAID Manager.

II. Using the onboard RAID DIP switch

RAID Status	DIP Switch		
	1	2	3
RAID 0 (striped)	ON	ON	ON
RAID 10	ON	ON	OFF
JBOD (Large)	ON	OFF	ON
RAID 3	ON	OFF	OFF
Clone	OFF	ON	ON
RAID 5	OFF	ON	OFF
RESERVED	OFF	OFF	ON
Normal (Individual drives)	OFF	OFF	OFF

- Select the setting desired using the DIP switch table.
- Using the provided eSATA to eSATA cable, connect one end to the eSATA port on the RAID box and the other end to the eSATA controller card.
- Press the power switch button for more than 2 seconds. Wait for power LED status to change from starting to ready.
- Press the "Change mode" button for more than 2 seconds. This will configure the raid volume.
- Navigate to the Disk Management utility to configure the drives.

Note: for the system to detect multiple individual drives, the RAID box must be connected to a port multiplier compatible eSATA host controller. If the RAID box is NOT connected to a port multiplier compatible eSATA host controller, the system will only detect one drive and that is the hard drive in slot HD0.

RAID Monitoring LED

RAID Status	LED Indicator	
RAID 10	Access	Blue / Flash
	Rebuilding	Blue & Red / Flash
RAID 3	Access	Blue / Flash
	Rebuilding	Blue & Red / Flash
RAID 5	Access	Blue / Flash
	Rebuilding	Blue & Red / Flash
Clone	Access	Blue / Flash
	Clone	Blue & Red / Flash
JBOD (Large)	Access	Blue / Flash
RAID 0	Access	Blue / Flash

Free Manuals Download Website

<http://myh66.com>

<http://usermanuals.us>

<http://www.somanuals.com>

<http://www.4manuals.cc>

<http://www.manual-lib.com>

<http://www.404manual.com>

<http://www.luxmanual.com>

<http://aubethermostatmanual.com>

Golf course search by state

<http://golfingnear.com>

Email search by domain

<http://emailbydomain.com>

Auto manuals search

<http://auto.somanuals.com>

TV manuals search

<http://tv.somanuals.com>