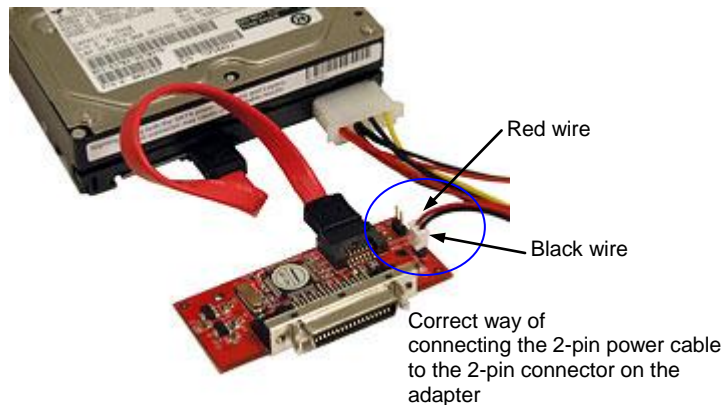
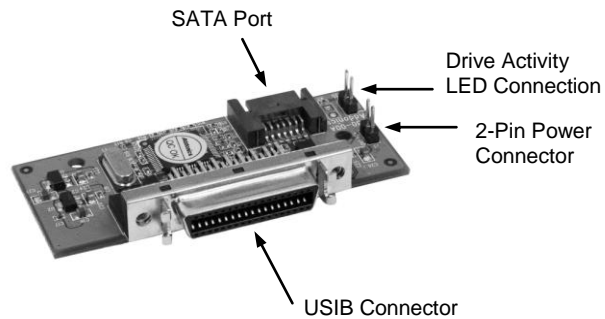


ADDONICS TECHNOLOGIES

Model: ADSAUSPCB



Hardware Installation:

- Step 1. Connect the 2-pin power cable to the 2-pin power connector on the adapter. **Be sure to connect the red wire to the pin with +5V label.**
- Step 2. Connect a SATA cable to the SATA connector on the adapter and the other end to the SATA device.
- Step 3. Connect a USB cable to the USB connector on the adapter and the other end to the host

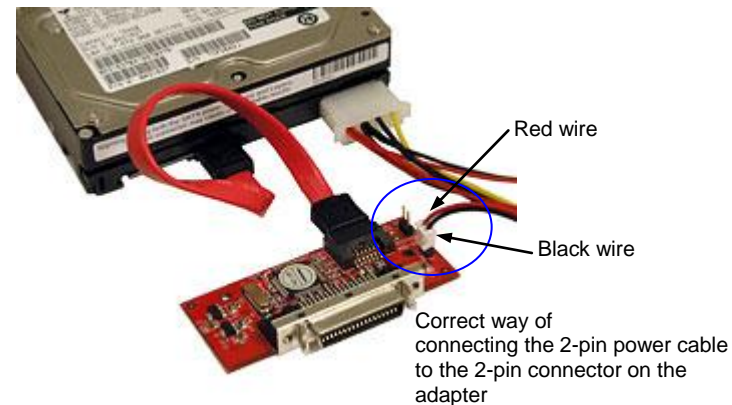
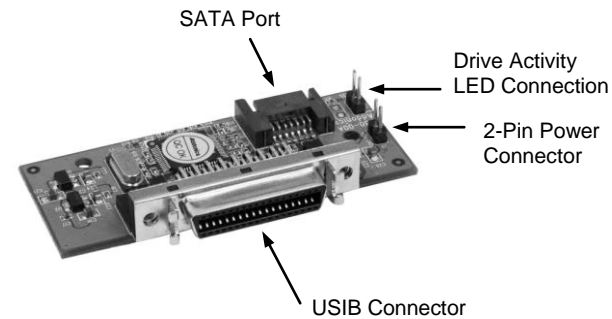
TECHNICAL SUPPORT

Email: <http://www.addonics.com/sales/query/>
Internet: <http://www.addonics.com>

Technical Support (8:30 am to 6:00 pm PST)
Phone: 408 433-3855
Email: <http://www.addonics.com/support/query/>

ADDONICS TECHNOLOGIES

Model: ADSAUSPCB



Hardware Installation:

- Step 1. Connect the 2-pin power cable to the 2-pin power connector on the adapter. **Be sure to connect the red wire to the pin with +5V label.**
- Step 2. Connect a SATA cable to the SATA connector on the adapter and the other end to the SATA device.
- Step 3. Connect a USB cable to the USB connector on the adapter and the other end to the host

TECHNICAL SUPPORT

Email: <http://www.addonics.com/sales/query/>
Internet: <http://www.addonics.com>

Technical Support (8:30 am to 6:00 pm PST)
Phone: 408 433-3855
Email: <http://www.addonics.com/support/query/>

Free Manuals Download Website

<http://myh66.com>

<http://usermanuals.us>

<http://www.somanuals.com>

<http://www.4manuals.cc>

<http://www.manual-lib.com>

<http://www.404manual.com>

<http://www.luxmanual.com>

<http://aubethermostatmanual.com>

Golf course search by state

<http://golfingnear.com>

Email search by domain

<http://emailbydomain.com>

Auto manuals search

<http://auto.somanuals.com>

TV manuals search

<http://tv.somanuals.com>