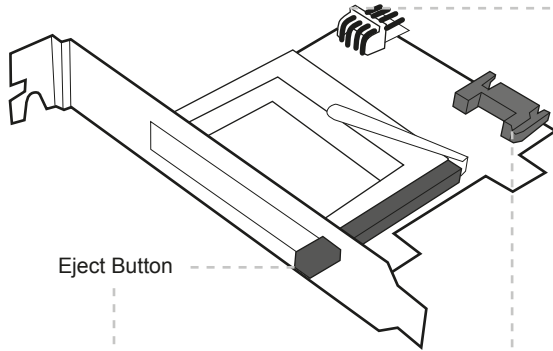
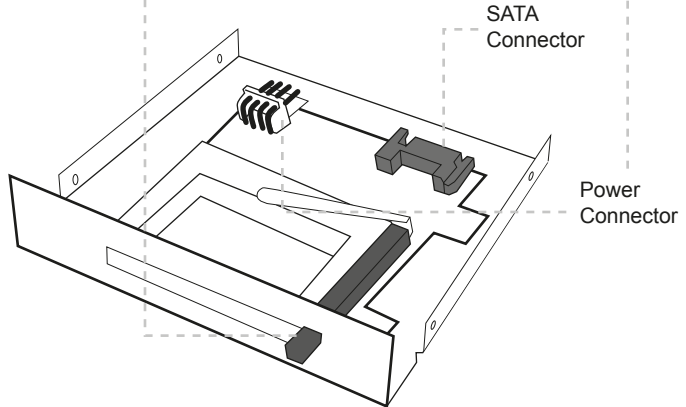


PCI Slot Mount



Eject Button

Bay Mount



SATA
Connector

Power
Connector

v7.1.11

Technical Support

If you need any assistance to get your unit functioning properly, please have your product information ready and contact Addonics Technical Support at:

Hours: 8:30 am - 6:00 pm PST

Phone: 408-453-6212

Email: <http://www.addonics.com/support/query/>

Download from [Www.Somanuals.com](http://www.Somanuals.com). All Manuals Search And Download.

Hardware Installation:

Step 1: Connect Y-type power cable to the power connector on the adapter. This will provide power to the adapter and the CF card.

Step 2: Connect a SATA cable to the SATA connector on the adapter and the other end to the SATA controller port.

Step 3: Start the Computer.

Note: If you insert the CF card while your system is ON and it does not get detected, probably your SATA host controller does not support hot swap.

CONTACT US

www.addonics.com

Phone: 408-573-8580

Fax: 408-573-8588

Email: <http://www.addonics.com/sales/query/>

Free Manuals Download Website

<http://myh66.com>

<http://usermanuals.us>

<http://www.somanuals.com>

<http://www.4manuals.cc>

<http://www.manual-lib.com>

<http://www.404manual.com>

<http://www.luxmanual.com>

<http://aubethermostatmanual.com>

Golf course search by state

<http://golfingnear.com>

Email search by domain

<http://emailbydomain.com>

Auto manuals search

<http://auto.somanuals.com>

TV manuals search

<http://tv.somanuals.com>